

FIGURE 2. 880179 -S1- WAYNE PLUS ELECTRONIC CENTRAL

TABLE 2. 880179-001 - EC MAIN ASSEMBLY GENERIC DL 120V

Item No.	Part No.	Qty.	Description
	880179-001		ASSY,EC MAIN GENERIC DL 120V
DWG	880179-S1 & S2		ASSY,EC MAIN
3	880179-061	0	INSPEC PROC EC GENERIC DL
6	780087-001	1	LABEL "CAUTION HAZARD OF ELEC"
9	830140-001	1	LABEL FCC D2400
10	790312-001	1	ASSY,PCB MOTHER BD EC D2400
11	850274-001	1	ASSY,PWR SUPPLY 120V EC
12	790322-001	1	ASSY,CARD CAGE EC D2400
13	840015-001	1	ASSY,EMI FILTER
14	880197-001	1	CABLE ASSY,CABINET TO MOTHER BD #1
15	820214-001	1	PCB ASSY,COMPANION BD D2400 DL
16	850276-001	1	ASSY,JUMPER EC FILTER/GND
17	870048-001	1	ASSY,CONNECTOR BANANA JACK
21	800173-001	1	HANDY BOX
22	880181-001	1	ENCL EC GENERIC
27	4020101	1	TERM BLOCK 3POS W/MTG HOLES
28	4026901	1	MARKING STP TERM BLOCK 3POS
36	6013001	2	WSHR LK #6 ITLWMDSSPA
39	6000604	4	SCR 4-40X5/16 PHMSPHSSPA
40	6012901	4	WSHR LK #4 ITLWMDSSPA
41	6005901	12	SCR 6-32X3/8 PHESPHSTPL
42	6000803	2	SCR 8-32X3/8 PHMSPHSSPA
43	6000806	4	SCR 8-32X3/4 PHMSPHSSPA
44	6005902	23	SCR 6-32X1/2 PHESPHSTPL
45	6013101	6	WSHR LK #8 ITLWMDSSPA
46	6010701	10	WSHR #6 .156X.312X.032 FWSSPA
47	6010702	4	WSHR #6 .149X.375X.032 FWSSPA
58	6001802	2	SCR 6-32X3/8 FLMSPHSSPA
59	6019401	9	NUT 6-32 KPNTSPSTZN
61	800173-002	1	HANDY BOX COVER

TABLE 3. 880179-002 - EC MAIN ASSEMBLY GENERIC DL 240V

Item No.	Part No.	Qty.	Description
	880179-002		ASSY,EC MAIN GENERIC DL 240V
DWG	880179-S1 & S2		ASSY,EC MAIN
3	880179-061	0	INSPEC PROC EC GENERIC DL
6	780087-001	1	LABEL "CAUTION HAZARD OF ELEC"
8	800178-001	1	LABEL DIAG PCB-IDENT SIZE A
9	830140-001	1	LABEL FCC D2400
10	790312-001	1	ASSY,PCB MOTHER BD EC D2400
11	850274-002	1	ASSY,PWR SUPPLY 240V CPS
12	790322-001	1	ASSY,CARD CAGE EC D2400
13	840015-001	1	ASSY,EMI FILTER
14	880197-001	1	CABLE ASSY,CABINET TO MOTHER BD #1
15	820214-001	1	PCB ASSY,COMPANION BD D2400 DL
16	850276-001	1	ASSY,JUMPER EC FILTER/GND
17	870048-001	1	ASSY,CONNECTOR BANANA JACK
21	800173-001	1	HANDY BOX
22	880181-001	1	ENCL EC GENERIC
27	4020101	1	TERM BLOCK 3POS W/MTG HOLES
28	4026901	1	MARKING STP TERM BLOCK 3POS
36	6013001	2	WSHR LK #6 ITLWMDSSPA
39	6000604	4	SCR 4-40X5/16 PHMSPHSSPA
40	6012901	4	WSHR LK #4 ITLWMDSSPA
41	6005901	12	SCR 6-32X3/8 PHESPHSTPL
42	6000803	2	SCR 8-32X3/8 PHMSPHSSPA
43	6000806	4	SCR 8-32X3/4 PHMSPHSSPA
44	6005902	23	SCR 6-32X1/2 PHESPHSTPL
45	6013101	6	WSHR LK #8 ITLWMDSSPA
46	6010701	10	WSHR #6 .156X.312X.032 FWSSPA
47	6010702	4	WSHR #6 .149X.375X.032 FWSSPA
58	6001802	2	SCR 6-32X3/8 FLMSPHSSPA
59	6019401	9	NUT 6-32 KPNTSPSTZN
61	800173-002	1	HANDY BOX COVER

TABLE 4. 880179-003 - EC MAIN ASSEMBLY GENERIC PUL 120V

Item No.	Part No.	Qty.	Description
	880179-003		ASSY,EC MAIN GENERIC PUL 120V
DWG	880179-S1 & S2		ASSY,EC MAIN
3	880179-061	0	INSPEC PROC EC GENERIC DL
6	780087-001	1	LABEL "CAUTION HAZARD OF ELEC"
8	800178-001	1	LABEL DIAG PCB-IDENT SIZE A
9	830140-001	1	LABEL FCC D2400
10	790312-001	1	ASSY,PCB MOTHER BD EC D2400
11	850274-001	1	ASSY,PWR SUPPLY 120V EC
12	790322-001	1	ASSY,CARD CAGE EC D2400
13	840015-001	1	ASSY,EMI FILTER
14	880197-001	1	CABLE ASSY,CABINET TO MOTHER BD #1
15	790310-001	1	ASSY,COMPANION BD TO CPU D2400
16	850276-001	1	ASSY,JUMPER EC FILTER/GND
17	870048-001	1	ASSY,CONNECTOR BANANA JACK
21	800173-001	1	HANDY BOX
22	880181-001	1	ENCL EC GENERIC
23	830232-000	1	BRKT,PRPHL I/F EC D2400LC
27	4020101	1	TERM BLOCK 3POS W/MTG HOLES
28	4026901	1	MARKING STP TERM BLOCK 3POS
36	6013001	2	WSHR LK #6 ITLWMDSSPA
39	6000604	10	SCR 4-40X5/16 PHMSPHSSPA
40	6012901	10	WSHR LK #4 ITLWMDSSPA
41	6005901	12	SCR 6-32X3/8 PHESPHSTPL
42	6000803	2	SCR 8-32X3/8 PHMSPHSSPA
43	6000806	4	SCR 8-32X3/4 PHMSPHSSPA
44	6005902	23	SCR 6-32X1/2 PHESPHSTPL
45	6013101	6	WSHR LK #8 ITLWMDSSPA
46	6010701	10	WSHR #6 .156X.312X.032 FWSSPA
47	6010702	4	WSHR #6 .149X.375X.032 FWSSPA
58	6001802	2	SCR 6-32X3/8 FLMSPHSSPA
59	6019401	9	NUT 6-32 KPNTSPSTZN
61	800173-002	1	HANDY BOX COVER

TABLE 5. 880179-004 - EC MAIN ASSEMBLY GENERIC PUL 240V

Item No.	Part No.	Qty.	Description
	880179-004		ASSY,EC MAIN GENERIC PUL 240V
DWG	880179-S1 & S2		ASSY,EC MAIN
3	880179-061	0	INSPEC PROC EC GENERIC DL
6	780087-001	1	LABEL "CAUTION HAZARD OF ELEC"
8	800178-001	1	LABEL DIAG PCB-IDENT SIZE A
9	830140-001	1	LABEL FCC D2400
10	790312-001	1	ASSY,PCB MOTHER BD EC D2400
11	850274-002	1	ASSY,PWR SUPPLY 240V CPS
12	790322-001	1	ASSY,CARD CAGE EC D2400
13	840015-001	1	ASSY,EMI FILTER
14	880197-001	1	CABLE ASSY,CABINET TO MOTHER BD #1
15	790310-001	1	ASSY,COMPANION BD TO CPU D2400
16	850276-001	1	ASSY,JUMPER EC FILTER/GND
17	870048-001	1	ASSY,CONNECTOR BANANA JACK
21	800173-001	1	HANDY BOX
22	880181-001	1	ENCL EC GENERIC
23	830232-000	1	BRKT,PRPHL I/F EC D2400LC
27	4020101	1	TERM BLOCK 3POS W/MTG HOLES
28	4026901	1	MARKING STP TERM BLOCK 3POS
36	6013001	2	WSHR LK #6 ITLWMDSSPA
39	6000604	10	SCR 4-40X5/16 PHMSPHSSPA
40	6012901	10	WSHR LK #4 ITLWMDSSPA
41	6005901	12	SCR 6-32X3/8 PHESPHSTPL
42	6000803	2	SCR 8-32X3/8 PHMSPHSSPA
43	6000806	4	SCR 8-32X3/4 PHMSPHSSPA
44	6005902	23	SCR 6-32X1/2 PHESPHSTPL
45	6013101	6	WSHR LK #8 ITLWMDSSPA
46	6010701	10	WSHR #6 .156X.312X.032 FWSSPA
47	6010702	4	WSHR #6 .149X.375X.032 FWSSPA
58	6001802	2	SCR 6-32X3/8 FLMSPHSSPA
59	6019401	9	NUT 6-32 KPNTSPSTZN
61	800173-002	1	HANDY BOX COVER

TABLE 6. 880179-005 - EC MAIN ASSEMBLY GENERIC CANADA DL 120V

Item No.	Part No.	Qty.	Description
	880179-005		ASSY,EC MAIN GENERIC CANADA DL 120V
DWG	880179-S1 & S2		ASSY,EC MAIN
3	880179-061	0	INSPEC PROC EC GENERIC DL
6	820142-001	1	LABEL "CAUTION HAZARD OF" CSA
8	800178-001	1	LABEL DIAG PCB-IDENT SIZE A
9	830140-001	1	LABEL FCC D2400
10	790312-001	1	ASSY,PCB MOTHER BD EC D2400
11	850274-001	1	ASSY,PWR SUPPLY 120V EC
12	790322-001	1	ASSY,CARD CAGE EC D2400
13	840015-001	1	ASSY,EMI FILTER
14	880197-001	1	CABLE ASSY,CABINET TO MOTHER BD #1
15	820214-001	1	PCB ASSY,COMPANION BD D2400 DL
16	850276-001	1	ASSY,JUMPER EC FILTER/GND
17	870048-001	1	ASSY,CONNECTOR BANANA JACK
21	800173-001	1	HANDY BOX
22	880181-001	1	ENCL EC GENERIC
27	4020101	1	TERM BLOCK 3POS W/MTG HOLES
28	4026901	1	MARKING STP TERM BLOCK 3POS
36	6013001	4	WSHR LK #6 ITLWMDSSPA
39	6000604	4	SCR 4-40X5/16 PHMSPHSSPA
40	6012901	4	WSHR LK #4 ITLWMDSSPA
41	6005901	12	SCR 6-32X3/8 PHESPHSTPL
42	6000803	2	SCR 8-32X3/8 PHMSPHSSPA
43	6000806	4	SCR 8-32X3/4 PHMSPHSSPA
44	6005902	21	SCR 6-32X1/2 PHESPHSTPL
45	6013101	6	WSHR LK #8 ITLWMDSSPA
46	6010701	10	WSHR #6 .156X.312X.032 FWSSPA
47	6010702	4	WSHR #6 .149X.375X.032 FWSSPA
50	820149-001	1	ALIGNMENT BARRIER EC CANADA
51	820150-001	2	SUPPORT,BARRIER EC CANADA
52	6022601	1	WSHR TERM CUP #8 .178X.513X.032
53	6005903	2	SCR 6-32X3/4 PHESPHSTPL
54	6000706	2	SCR 6-32X7/16 PHMSPHSSPA
55	5001303	2	STDF .625X.250 6-32 HEX ALIR
56	880489-001	1	DECAL GENERIC EC CANADIAN
58	6001802	2	SCR 6-32X3/8 FLMSPHSSPA
59	6019401	9	NUT 6-32 KPNTSPSTZN
61	800173-002	1	HANDY BOX COVER

TABLE 7. 880179-006 - EC MAIN ASSEMBLY DL 120V W/O COMP BD

Item No.	Part No.	Qty.	Description
	880179-006		ASSY,EC MAIN DL 120V W/O COMP BD
DWG	880179-S1 & S2		ASSY,EC MAIN
3	880179-061	0	INSPEC PROC EC GENERIC DL
6	780087-001	1	LABEL "CAUTION HAZARD OF ELEC"
9	830140-001	1	LABEL FCC D2400
10	790312-001	1	ASSY,PCB MOTHER BD EC D2400
11	850274-001	1	ASSY,PWR SUPPLY 120V EC
12	790322-001	1	ASSY,CARD CAGE EC D2400
13	840015-001	1	ASSY,EMI FILTER
14	880197-001	1	CABLE ASSY,CABINET TO MOTHER BD #1
16	850276-001	1	ASSY,JUMPER EC FILTER/GND
17	870048-001	1	ASSY,CONNECTOR BANANA JACK
21	800173-001	1	HANDY BOX
22	880181-001	1	ENCL EC GENERIC
27	4020101	1	TERM BLOCK 3POS W/MTG HOLES
28	4026901	1	MARKING STP TERM BLOCK 3POS
36	6013001	2	WSHR LK #6 ITLWMDSSPA
39	6000604	4	SCR 4-40X5/16 PHMSPHSSPA
40	6012901	4	WSHR LK #4 ITLWMDSSPA
41	6005901	12	SCR 6-32X3/8 PHESPHSTPL
42	6000803	2	SCR 8-32X3/8 PHMSPHSSPA
43	6000806	4	SCR 8-32X3/4 PHMSPHSSPA
44	6005902	23	SCR 6-32X1/2 PHESPHSTPL
45	6013101	6	WSHR LK #8 ITLWMDSSPA
46	6010701	10	WSHR #6 .156X.312X.032 FWSSPA
47	6010702	4	WSHR #6 .149X.375X.032 FWSSPA
58	6001802	2	SCR 6-32X3/8 FLMSPHSSPA
59	6019401	9	NUT 6-32 KPNTSPSTZN
61	800173-002	1	HANDY BOX COVER

TABLE 8. 880179-007 - EC MAIN ASSEMBLY RETROFIT GENERIC 120V

Item No.	Part No.	Qty.	Description
	880179-007		ASSY,EC UL RETROFIT GENERIC 120V
DWG	880179-S1 & S2		ASSY,EC MAIN
3	880179-061	0	INSPEC PROC EC GENERIC DL
6	780087-001	1	LABEL "CAUTION HAZARD OF ELEC"
8	800178-001	1	LABEL DIAG PCB-IDENT SIZE A
9	830140-001	1	LABEL FCC D2400
10	790312-001	1	ASSY,PCB MOTHER BD EC D2400
11	850274-001	1	ASSY,PWR SUPPLY 120V EC
12	790322-001	1	ASSY,CARD CAGE EC D2400
13	840015-001	1	ASSY,EMI FILTER
14	880197-001	1	CABLE ASSY,CABINET TO MOTHER BD #1
15	820214-001	1	PCB ASSY,COMPANION BD D2400 DL
16	850276-001	1	ASSY,JUMPER EC FILTER/GND
17	870048-001	1	ASSY,CONNECTOR BANANA JACK
21	800173-001	1	HANDY BOX
22	880181-001	1	ENCL EC GENERIC
23	830232-000	1	BRKT,PRPHL I/F EC D2400LC
27	4020101	1	TERM BLOCK 3POS W/MTG HOLES
28	4026901	1	MARKING STP TERM BLOCK 3POS
36	6013001	2	WSHR LK #6 ITLWMDSSPA
39	6000604	10	SCR 4-40X5/16 PHMSPHSSPA
40	6012901	10	WSHR LK #4 ITLWMDSSPA
41	6005901	12	SCR 6-32X3/8 PHESPHSTPL
42	6000803	2	SCR 8-32X3/8 PHMSPHSSPA
43	6000806	4	SCR 8-32X3/4 PHMSPHSSPA
44	6005902	23	SCR 6-32X1/2 PHESPHSTPL
45	6013101	6	WSHR LK #8 ITLWMDSSPA
46	6010701	10	WSHR #6 .156X.312X.032 FWSSPA
47	6010702	4	WSHR #6 .149X.375X.032 FWSSPA
58	6001802	2	SCR 6-32X3/8 FLMSPHSSPA
59	6019401	9	NUT 6-32 KPNTSPSTZN
60	880045-001	1	DECAL UL MODEL & SERIAL NO. WP
61	800173-002	1	HANDY BOX COVER

TABLE 9. 880179-008 - EC MAIN ASSEMBLY RETROFIT 120V W/O COMP BD

Item No.	Part No.	Qty.	Description
	880179-008		ASSY,EC W/O COMP BD UL RETRO 120V
DWG	880179-S1 & S2		ASSY,EC MAIN
3	880179-061	0	INSPEC PROC EC GENERIC DL
6	780087-001	1	LABEL "CAUTION HAZARD OF ELEC"
8	800178-001	1	LABEL DIAG PCB-IDENT SIZE A
9	830140-001	1	LABEL FCC D2400
10	790312-001	1	ASSY,PCB MOTHER BD EC D2400
11	850274-001	1	ASSY,PWR SUPPLY 120V EC
12	790322-001	1	ASSY,CARD CAGE EC D2400
13	840015-001	1	ASSY,EMI FILTER
14	880197-001	1	CABLE ASSY,CABINET TO MOTHER BD #1
16	850276-001	1	ASSY,JUMPER EC FILTER/GND
17	870048-001	1	ASSY,CONNECTOR BANANA JACK
21	800173-001	1	HANDY BOX
22	880181-001	1	ENCL EC GENERIC
23	830232-000	1	BRKT,PRPHL I/F EC D2400LC
27	4020101	1	TERM BLOCK 3POS W/MTG HOLES
28	4026901	1	MARKING STP TERM BLOCK 3POS
36	6013001	2	WSHR LK #6 ITLWMDSSPA
39	6000604	10	SCR 4-40X5/16 PHMSPHSSPA
40	6012901	10	WSHR LK #4 ITLWMDSSPA
41	6005901	12	SCR 6-32X3/8 PHESPHSTPL
42	6000803	2	SCR 8-32X3/8 PHMSPHSSPA
43	6000806	4	SCR 8-32X3/4 PHMSPHSSPA
44	6005902	23	SCR 6-32X1/2 PHESPHSTPL
45	6013101	6	WSHR LK #8 ITLWMDSSPA
46	6010701	10	WSHR #6 .156X.312X.032 FWSSPA
47	6010702	4	WSHR #6 .149X.375X.032 FWSSPA
58	6001802	2	SCR 6-32X3/8 FLMSPHSSPA
59	6019401	9	NUT 6-32 KPNTSPSTZN
60	880045-001	1	DECAL UL MODEL & SERIAL NO. WP
61	800173-002	1	HANDY BOX COVER

TABLE 10. 880179-009 - EC MAIN ASSEMBLY RETROFIT GENERIC DL 240V

Item No.	Part No.	Qty.	Description
	880179-009		ASSY,EC RETROFIT GENERIC DL 240V
DWG	880179-S1 & S2		ASSY,EC MAIN
3	880179-061	0	INSPEC PROC EC GENERIC DL
6	780087-001	1	LABEL "CAUTION HAZARD OF ELEC"
8	800178-001	1	LABEL DIAG PCB-IDENT SIZE A
9	830140-001	1	LABEL FCC D2400
10	790312-001	1	ASSY,PCB MOTHER BD EC D2400
11	850274-002	1	ASSY,PWR SUPPLY 240V CPS
12	790322-001	1	ASSY,CARD CAGE EC D2400
13	840015-001	1	ASSY,EMI FILTER
14	880197-001	1	CABLE ASSY,CABINET TO MOTHER BD #1
15	820214-001	1	PCB ASSY,COMPANION BD D2400 DL
16	850276-001	1	ASSY,JUMPER EC FILTER/GND
17	870048-001	1	ASSY,CONNECTOR BANANA JACK
21	800173-001	1	HANDY BOX
22	880181-001	1	ENCL EC GENERIC
23	830232-001	1	BRKT,MTG MODEM CONN
27	4020101	1	TERM BLOCK 3POS W/MTG HOLES
28	4026901	1	MARKING STP TERM BLOCK 3POS
36	6013001	2	WSHR LK #6 ITLWMDSSPA
39	6000604	10	SCR 4-40X5/16 PHMSPHSSPA
40	6012901	10	WSHR LK #4 ITLWMDSSPA
41	6005901	12	SCR 6-32X3/8 PHESPHSTPL
42	6000803	2	SCR 8-32X3/8 PHMSPHSSPA
43	6000806	4	SCR 8-32X3/4 PHMSPHSSPA
44	6005902	23	SCR 6-32X1/2 PHESPHSTPL
45	6013101	6	WSHR LK #8 ITLWMDSSPA
46	6010701	10	WSHR #6 .156X.312X.032 FWSSPA
47	6010702	4	WSHR #6 .149X.375X.032 FWSSPA
58	6001802	2	SCR 6-32X3/8 FLMSPHSSPA
59	6019401	9	NUT 6-32 KPNTSPSTZN
60	860025-001	1	DECAL PATENT & SERIAL NO.
61	800173-002	1	HANDY BOX COVER

TABLE 11. 880179-R01 - EC MAIN ASSEMBLY GENERIC DL 120V

Item No.	Part No.	Qty.	Description
	880179-R01		ASSY,EC MAIN GENERIC DL 120V,RF
DWG	880179-S1 & S2		ASSY,EC MAIN
3	880179-061	0	INSPEC PROC EC GENERIC DL
6	780087-001	1	LABEL "CAUTION HAZARD OF ELEC"
9	830140-001	1	LABEL FCC D2400
10	790312-R01	1	ASSY,PCB MOTHER BD EC D2400,RF
11	850274-R01	1	ASSY,PWR SUPPLY 120V,RF
12	790322-001	1	ASSY,CARD CAGE EC D2400
13	840015-001	1	ASSY,EMI FILTER
14	880197-001	1	CABLE ASSY,CABINET TO MOTHER BD #1
15	820214-R01	1	PCB ASSY,COMPANION BD D2400 DL,RF
16	850276-001	1	ASSY,JUMPER EC FILTER/GND
17	870048-001	1	ASSY,CONNECTOR BANANA JACK
21	800173-001	1	HANDY BOX
22	880181-001	1	ENCL EC GENERIC
27	4020101	1	TERM BLOCK 3POS W/MTG HOLES
28	4026901	1	MARKING STP TERM BLOCK 3POS
36	6013001	2	WSHR LK #6 ITLWMDSSPA
39	6000604	4	SCR 4-40X5/16 PHMSPHSSPA
40	6012901	4	WSHR LK #4 ITLWMDSSPA
41	6005901	12	SCR 6-32X3/8 PHESPHSTPL
42	6000803	2	SCR 8-32X3/8 PHMSPHSSPA
43	6000806	4	SCR 8-32X3/4 PHMSPHSSPA
44	6005902	23	SCR 6-32X1/2 PHESPHSTPL
45	6013101	6	WSHR LK #8 ITLWMDSSPA
46	6010701	10	WSHR #6 .156X.312X.032 FWSSPA
47	6010702	4	WSHR #6 .149X.375X.032 FWSSPA
58	6001802	2	SCR 6-32X3/8 FLMSPHSSPA
59	6019401	9	NUT 6-32 KPNTSPSTZN
61	800173-002	1	HANDY BOX COVER
62	886572-001	1	LABEL,RECONDITIONED PARTS
999	880181-001	0	ENCL EC GENERIC

TABLE 12. 880179-R01 - EC MAIN ASSEMBLY DL 120V W/O COMP BD RF

Item No.	Part No.	Qty.	Description
	880179-R06		ASSY,EC MAIN DL 120V W/O COMP BD,RF
DWG	880179-S1 & S2		ASSY,EC MAIN
3	880179-061	0	INSPEC PROC EC GENERIC DL
6	780087-001	1	LABEL "CAUTION HAZARD OF ELEC"
9	830140-001	1	LABEL FCC D2400
10	790312-R01	1	ASSY,PCB MOTHER BD EC D2400,RF
11	850274-R01	1	ASSY,PWR SUPPLY 120V,RF
12	790322-001	1	ASSY,CARD CAGE EC D2400
13	840015-001	1	ASSY,EMI FILTER
14	880197-001	1	CABLE ASSY,CABINET TO MOTHER BD #1
16	850276-001	1	ASSY,JUMPER EC FILTER/GND
17	870048-001	1	ASSY,CONNECTOR BANANA JACK
21	800173-001	1	HANDY BOX
22	880181-R01	1	ENCL EC GENERIC,RF
27	4020101	1	TERM BLOCK 3POS W/MTG HOLES
28	4026901	1	MARKING STP TERM BLOCK 3POS
36	6013001	2	WSHR LK #6 ITLWMDSSPA
39	6000604	4	SCR 4-40X5/16 PHMSPHSSPA
40	6012901	4	WSHR LK #4 ITLWMDSSPA
41	6005901	12	SCR 6-32X3/8 PHESPHSTPL
42	6000803	2	SCR 8-32X3/8 PHMSPHSSPA
43	6000806	4	SCR 8-32X3/4 PHMSPHSSPA
44	6005902	23	SCR 6-32X1/2 PHESPHSTPL
45	6013101	6	WSHR LK #8 ITLWMDSSPA
46	6010701	10	WSHR #6 .156X.312X.032 FWSSPA
47	6010702	4	WSHR #6 .149X.375X.032 FWSSPA
58	6001802	2	SCR 6-32X3/8 FLMSPHSSPA
59	6019401	9	NUT 6-32 KPNTSPSTZN
62	886572-001	1	LABEL,RECONDITIONED PARTS

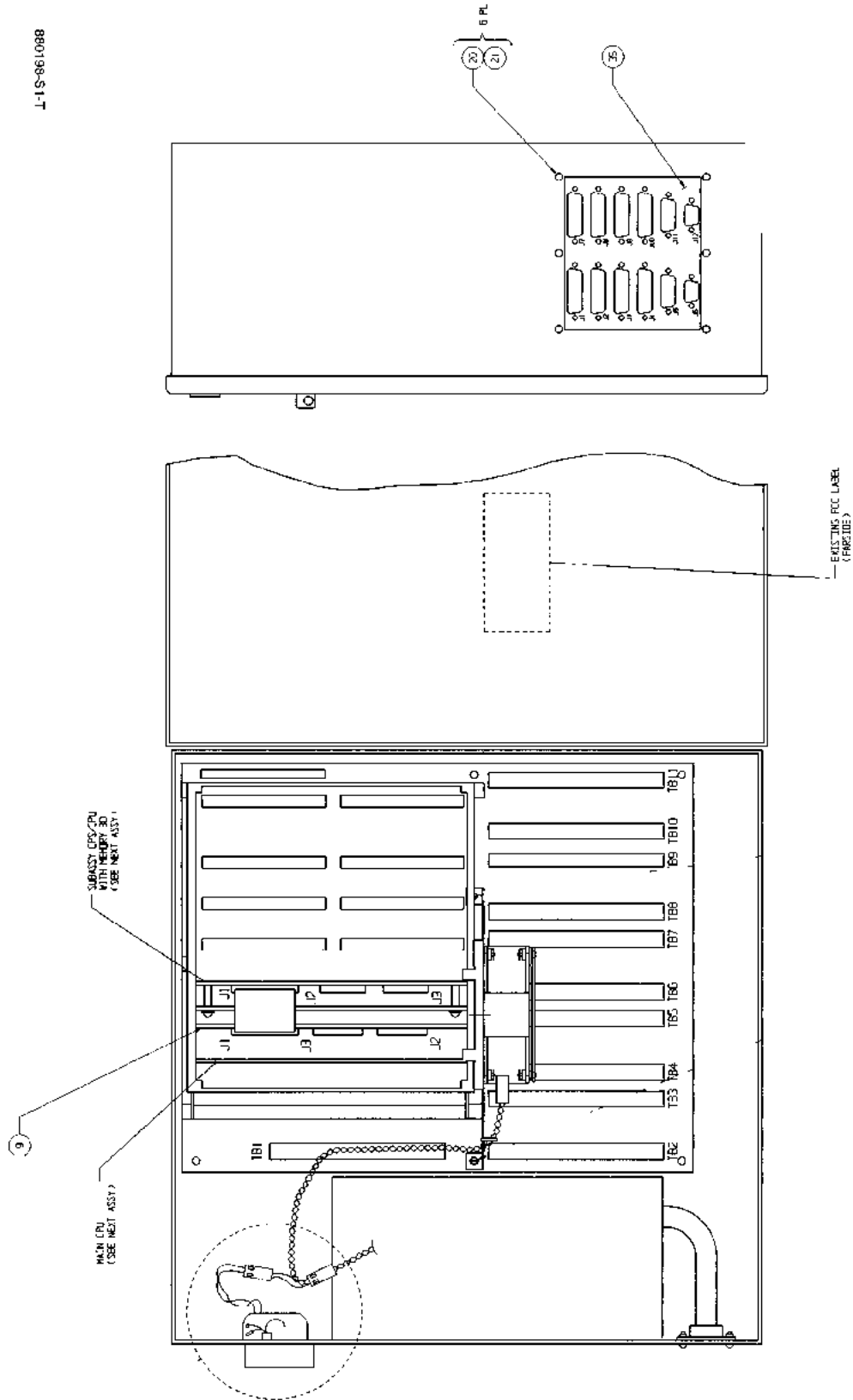


FIGURE 4. 880198-S1 - WAYNE PLUS INTERFACE KIT

880198-S2 T

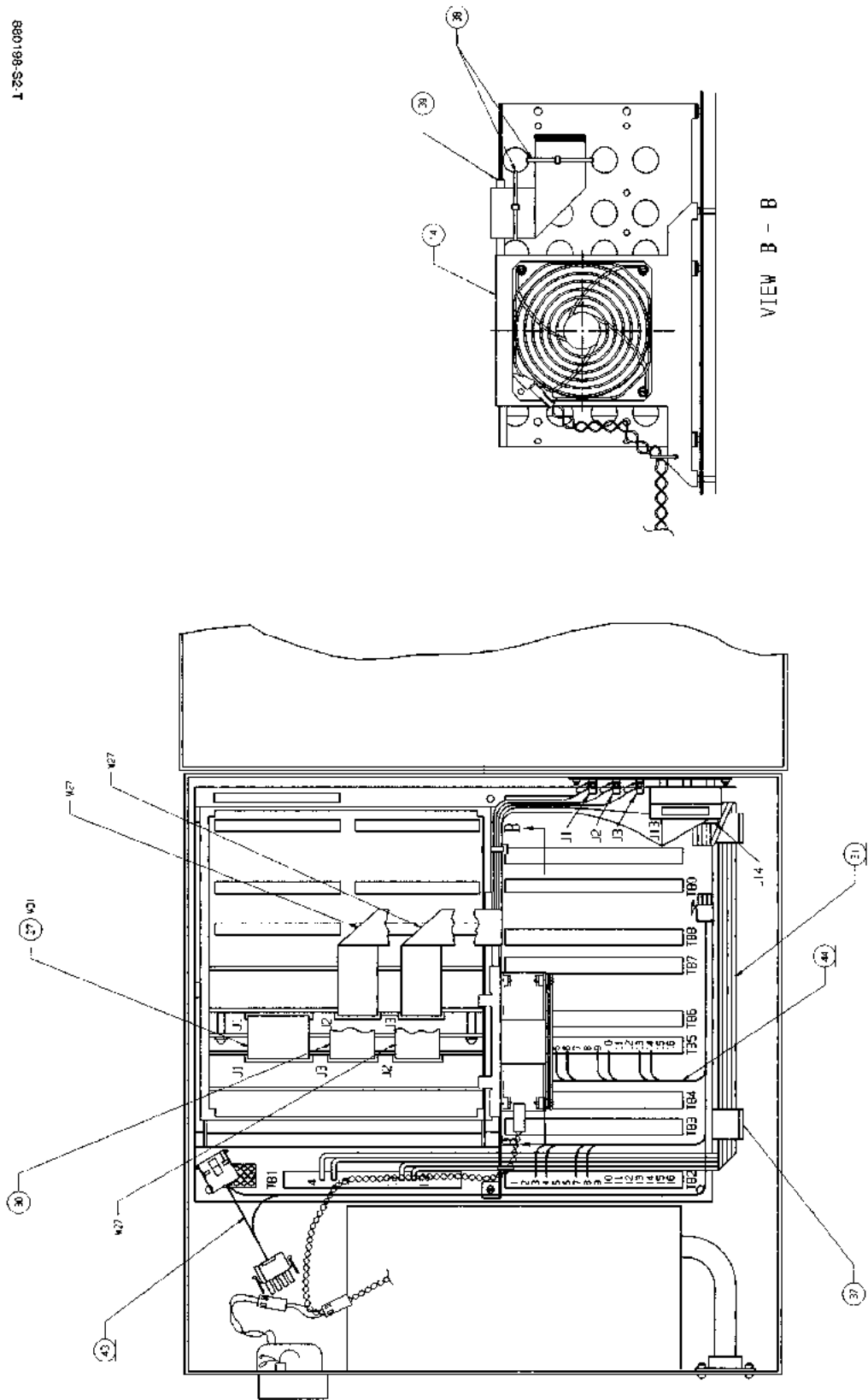


FIGURE 5. 880198-S2 - WAYNE PLUS INTERFACE KIT

TABLE 13. 880198-001 - WAYNE PLUS INTERFACE KIT

Item No.	Part No.	Qty.	Description
	880198-001		KIT,WP INTERFACE
DWG	880198-S1 & S2		KIT,WP INTERFACE
4	880198-041	0	TEST PROC PLUS /2 INTERFACE
5	880198-061	0	INSPEC PROC PLUS /2 INTERFACE
9	870036-002	1	ASSY,PCB SERIAL I/F CPS CMOS
14	880178-001	1	ASSY,FAN/BRKT/CABLE EC 115V
20	6000603	6	SCR 4-40X1/4 PHMSPHSSPA
21	6012901	6	WSHR LK #4 ITLWMDSSPA
27	850107-001	1	ASSY,CABLE EC
30	860522-001	1	ASSY,CABLE S/I TO S/D BOARD
31	860513-001	1	ASSY,CABLE PWR MB TO S/D
35	860512-001	1	ASSY,PLATE-CONN EC POS
37	4032501	2	CLAMP,CABLE RIBBON ADH 1"W,1-6 LYR
38	5008609	2	TIE WRAP 11"L X .19"W
39	5019801	0.8	GROM STRIP FLEX .015-.05 POLYETH

TABLE 14. 880198-002 - WAYNE PLUS INTERFACE KIT 230 V

Item No.	Part No.	Qty.	Description
	880198-002		KIT,WP INTERFACE 230VAC
DWG	880198-S1 & S2		KIT,WP INTERFACE
4	880198-041	0	TEST PROC PLUS /2 INTERFACE
5	880198-061	0	INSPEC PROC PLUS /2 INTERFACE
9	870036-002	1	ASSY,PCB SERIAL I/F CPS CMOS
14	880178-002	1	ASSY,FAN/BRKT/CABLE EC 230V
20	6000603	6	SCR 4-40X1/4 PHMSPHSSPA
21	6012901	6	WSHR LK #4 ITLWMDSSPA
27	850107-001	1	ASSY,CABLE EC
30	860522-001	1	ASSY,CABLE S/I TO S/D BOARD
31	860513-001	1	ASSY,CABLE PWR MB TO S/D
35	860512-001	1	ASSY,PLATE-CONN EC POS
37	4032501	2	CLAMP,CABLE RIBBON ADH 1"W,1-6 LYR
38	5008609	2	TIE WRAP 11"L X .19"W
39	5019801	0.8	GROM STRIP FLEX .015-.05 POLYETH

TABLE 15. 880198-003 - WAYNE PLUS INTERFACE KIT II

Item No.	Part No.	Qty.	Description
	880198-003		KIT,WP INTERFACE II
DWG	880198-S1 & S2		KIT,WP INTERFACE
4	880198-041	0	TEST PROC PLUS /2 INTERFACE
5	880198-061	0	INSPEC PROC PLUS /2 INTERFACE
9	870036-002	1	ASSY,PCB SERIAL I/F CPS CMOS
14	880178-001	1	ASSY,FAN/BRKT/CABLE EC 115V
20	6000603	6	SCR 4-40X1/4 PHMSPHSSPA
21	6012901	6	WSHR LK #4 ITLWMDSSPA
27	850107-001	1	ASSY,CABLE EC
30	860522-001	1	ASSY,CABLE S/I TO S/D BOARD
31	880722-001	1	ASSY,CABLE MB POWER TO SD
35	860512-001	1	ASSY,PLATE-CONN EC POS
37	4032501	2	CLAMP,CABLE RIBBON ADH 1"W,1-6 LYR
38	5008609	2	TIE WRAP 11"L X .19"W
39	5019801	0.8	GROM STRIP FLEX .015-.05 POLYETH

TABLE 16. 880198-004 - WAYNE PLUS INTERFACE KIT II 230V

Item No.	Part No.	Qty.	Description
	880198-004		KIT,WP INTERFACE II 230VAC
DWG	880198-S1 & S2		KIT,WP INTERFACE
4	880198-041	0	TEST PROC PLUS /2 INTERFACE
5	880198-061	0	INSPEC PROC PLUS /2 INTERFACE
9	870036-002	1	ASSY,PCB SERIAL I/F CPS CMOS
14	880178-002	1	ASSY,FAN/BRKT/CABLE EC 230V
20	6000603	6	SCR 4-40X1/4 PHMSPHSSPA
21	6012901	6	WSHR LK #4 ITLWMDSSPA
27	850107-001	1	ASSY,CABLE EC
30	860522-001	1	ASSY,CABLE S/I TO S/D BOARD
31	880722-001	1	ASSY,CABLE MB POWER TO SD
35	860512-001	1	ASSY,PLATE-CONN EC POS
37	4032501	2	CLAMP,CABLE RIBBON ADH 1"W,1-6 LYR
38	5008609	2	TIE WRAP 11"L X .19"W
39	5019801	0.8	GROM STRIP FLEX .015-.05 POLYETH

TABLE 17. 880198-005 - WAYNE PLUS 386 INTERFACE KIT

Item No.	Part No.	Qty.	Description
	880198-005		KIT,WP/386 INTERFACE
DWG	880198-S1 & S2		KIT,WP INTERFACE
4	880198-041	0	TEST PROC PLUS /2 INTERFACE
5	880198-061	0	INSPEC PROC PLUS /2 INTERFACE
9	870036-003	1	ASSY,PCB SERIAL INTERFACE 386
14	880178-001	1	ASSY,FAN/BRKT/CABLE EC 115V
20	6000603	6	SCR 4-40X1/4 PHMSPHSSPA
21	6012901	6	WSHR LK #4 ITLWMDSSPA
27	850107-001	1	ASSY,CABLE EC
30	860522-001	1	ASSY,CABLE S/I TO S/D BOARD
31	860513-001	1	ASSY,CABLE PWR MB TO S/D
35	860512-001	1	ASSY,PLATE-CONN EC POS
37	4032501	2	CLAMP,CABLE RIBBON ADH 1"W,1-6 LYR
38	5008609	2	TIE WRAP 11"L X .19"W
39	5019801	0.8	GROM STRIP FLEX .015-.05 POLYETH
42	881808-001	1	ASSY,CABLE,386 TO WPPC

TABLE 18. 880198-006 - WAYNE PLUS 386 INTERFACE KIT 230V

Item No.	Part No.	Qty.	Description
	880198-006		KIT,WP/386 INTERFACE 230VAC
DWG	880198-S1 & S2		KIT,WP INTERFACE
4	880198-041	0	TEST PROC PLUS /2 INTERFACE
5	880198-061	0	INSPEC PROC PLUS /2 INTERFACE
9	870036-003	1	ASSY,PCB SERIAL INTERFACE 386
14	880178-002	1	ASSY,FAN/BRKT/CABLE EC 230V
20	6000603	6	SCR 4-40X1/4 PHMSPHSSPA
21	6012901	6	WSHR LK #4 ITLWMDSSPA
27	850107-001	1	ASSY,CABLE EC
30	860522-001	1	ASSY,CABLE S/I TO S/D BOARD
31	860513-001	1	ASSY,CABLE PWR MB TO S/D
35	860512-001	1	ASSY,PLATE-CONN EC POS
37	4032501	2	CLAMP,CABLE RIBBON ADH 1"W,1-6 LYR
38	5008609	2	TIE WRAP 11"L X .19"W
39	5019801	0.8	GROM STRIP FLEX .015-.05 POLYETH
42	881808-001	1	ASSY,CABLE,386 TO WPPC

TABLE 19. 880198-007 - WAYNE PLUS 386 INTERFACE KIT WPCOMM

Item No.	Part No.	Qty.	Description
	880198-007		KIT,WP/386 INTERFACE,WPCOMM
DWG	880198-S1 & S2		KIT,WP INTERFACE
4	880198-041	0	TEST PROC PLUS /2 INTERFACE
5	880198-061	0	INSPEC PROC PLUS /2 INTERFACE
9	870036-003	1	ASSY,PCB SERIAL INTERFACE 386
14	880178-001	1	ASSY,FAN/BRKT/CABLE EC 115V
20	6000603	6	SCR 4-40X1/4 PHMSPHSSPA
21	6012901	6	WSHR LK #4 ITLWMDSSPA
27	850107-001	1	ASSY,CABLE EC
30	860522-001	1	ASSY,CABLE S/I TO S/D BOARD
31	860513-001	1	ASSY,CABLE PWR MB TO S/D
35	883453-001	1	EC INTERCONN PLATE ASSY,WP COMM
37	4032501	2	CLAMP,CABLE RIBBON ADH 1"W,1-6 LYR
38	5008609	2	TIE WRAP 11"L X .19"W
39	5019801	0.8	GROM STRIP FLEX .015-.05 POLYETH
42	881808-001	1	ASSY,CABLE,386 TO WPPC
43	883447-001	1	CABLE ASSY,EC/WPCOM PWR
44	883450-001	1	CABLE ASSY,EC COM

TABLE 20. 880198-R05 - WAYNE PLUS 386 INTERFACE KIT RF

Item No.	Part No.	Qty.	Description
	880198-R05		KIT,WP/386 INTERFACE,RF
DWG	880198-S1 & S2		KIT,WP INTERFACE
4	880198-041	0	TEST PROC PLUS /2 INTERFACE
5	880198-061	0	INSPEC PROC PLUS /2 INTERFACE
9	870036-R03	1	ASSY,PCB SERIAL INTERFACE 386,RF
14	880178-001	1	ASSY,FAN/BRKT/CABLE EC 115V
20	6000603	6	SCR 4-40X1/4 PHMSPHSSPA
21	6012901	6	WSHR LK #4 ITLWMDSSPA
27	850107-001	1	ASSY,CABLE EC
30	860522-001	1	ASSY,CABLE S/I TO S/D BOARD
31	860513-001	1	ASSY,CABLE PWR MB TO S/D
35	860512-001	1	ASSY,PLATE-CONN EC POS
37	4032501	2	CLAMP,CABLE RIBBON ADH 1"W,1-6 LYR
38	5008609	2	TIE WRAP 11"L X .19"W
39	5019801	0.8	GROM STRIP FLEX .015-.05 POLYETH
42	881808-001	1	ASSY,CABLE,386 TO WPPC
43	886572-001	1	LABEL,RECONDITIONED PARTS

TABLE 21. 860512-001 - PLATE-CONNECTOR ASSEMBLY EC POS

Item No.	Part No.	Qty.	Description
NO DWG	860512-001		ASSY,PLATE-CONN EC POS
11	860496-001	1	BRKT,MTG PERIPHERIAL I/F
12	860500-001	1	ASSY,PCB SERIAL DISTRIBUTION
13	860497-001	3	PLT,BLANK 25 "D" SUB
14	6026901	6	SCR 4X1/4 PH-BPHSTPL
15	5010303	9	KIT,FEMALE SCR LK 4-40X.56 2EA/KIT
16	850105-001	3	ASSY,CABLE PCB TO RS232

TABLE 22. 860512-002 - PLATE-CONNECTOR ASSEMBLY EC STD CAT IF

Item No.	Part No.	Qty.	Description
NO DWG	860512-002		ASSY,PLATE-CONN EC STD CAT IF
11	860496-001	1	BRKT,MTG PERIPHERIAL I/F
15	5010303	2	KIT,FEMALE SCR LK 4-40X.56 2EA/KIT
16	850105-001	1	ASSY,CABLE PCB TO RS232
17	886192-001	1	CABLE ASSY,CAT INTERFACE TO PANEL
18	886278-001	1	COVER PLATE,PERIPHERIAL INTFC,EC
19	6000603	4	SCR 4-40X1/4 PHMSPHSSPA

TABLE 23. 860512-003 - PLATE-CONNECTOR ASSEMBLY EC CAT/PUMP I/F

Item No.	Part No.	Qty.	Description
NO DWG	860512-003		ASSY,PLATE-CONN EC CAT/PUMP I/F
11	860496-001	1	BRKT,MTG PERIPHERIAL I/F
15	5010303	4	KIT,FEMALE SCR LK 4-40X.56 2EA/KIT
17	886192-001	1	CABLE ASSY,CAT INTERFACE TO PANEL
18	886278-002	1	COV PL,PRPHL,INTC,EC,4.85X3.10
19	6000603	4	SCR 4-40X1/4 PHMSPHSSPA
20	886192-002	1	CABLE ASSY,PUMP INTERFACE TO PANEL
21	860497-001	1	PLT,BLANK 25 "D" SUB
22	6026901	2	SCR 4X1/4 PH-BPHSTPL

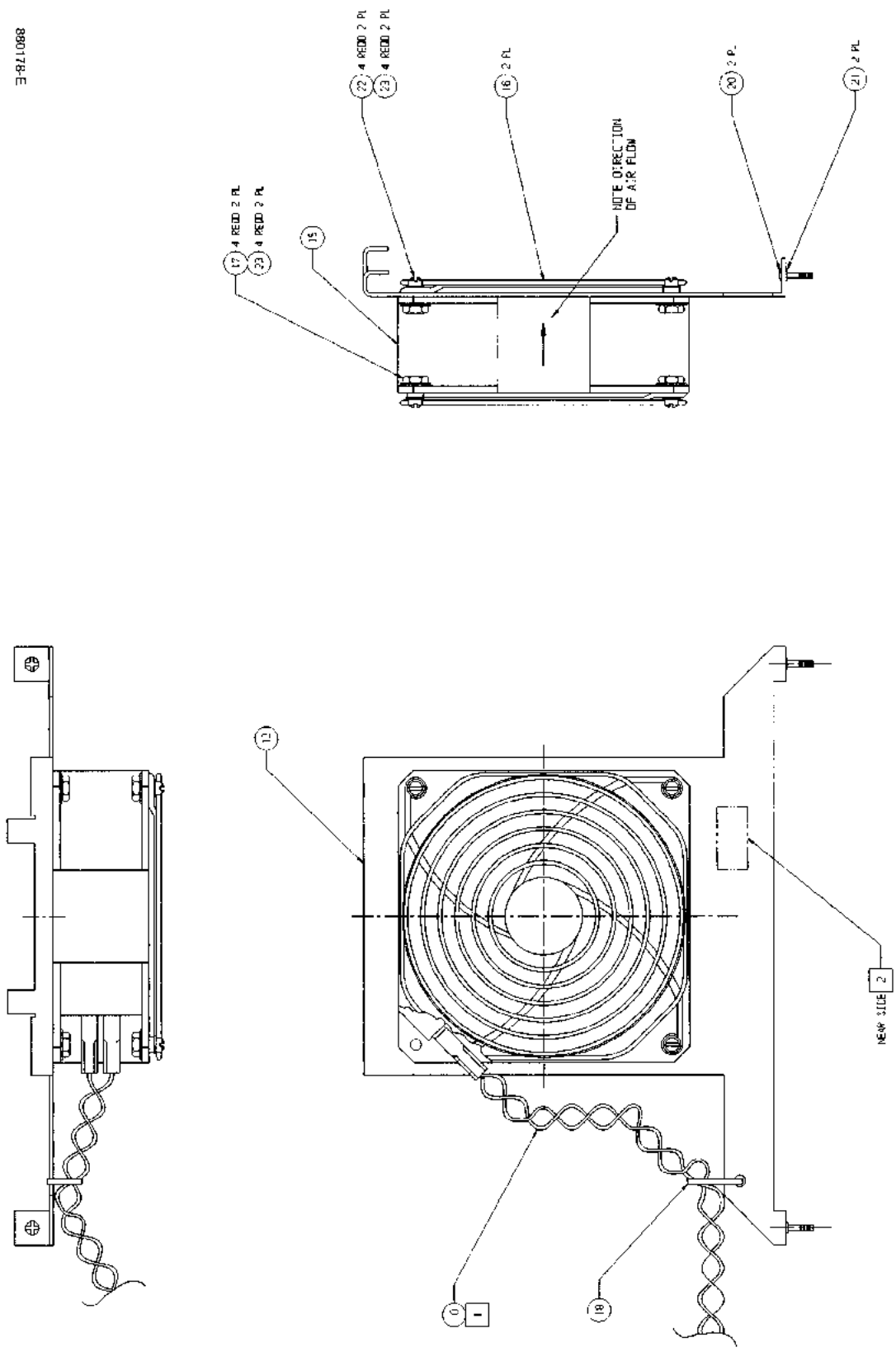


FIGURE 6. 880178 - FAN, BRACKET AND CABLE ASSEMBLY

TABLE 24. 880178-001 - FAN, BRACKET AND CABLE ASSEMBLY EC 115V

Item No.	Part No.	Qty.	Description
	880178-001		ASSY,FAN/BRKT/CABLE EC 115V
DWG	880178		ASSY,FAN/BRKT/CABLE
4	880178-061	0	INSPEC PROC FAN/BRKT/CABLE EC
10	880184-001	1	ASSY,CABLE FAN TO EC
12	880180-001	1	BRKT,FAN ELECT CENTRAL
15	4057501	1	FAN TBAX 4.6875" 70CFM LOW NOISE
16	5053701	2	GUARD,FINGER,4-1/8 UL/CSA
17	6019401	8	NUT 6-32 KPNTSPSTZN
18	5008601	1	TIE WRAP 4"L 3/4"-MAX BUNDLE
20	6000706	2	SCR 6-32X7/16 PHMSPHSSPA
21	6027101	2	WSHR #4 .120X.280X.030 FWNYUN
22	6005903	8	SCR 6-32X3/4 PHESPHSTPL
23	6010701	16	WSHR #6 .156X.312X.032 FWSSPA

TABLE 25. 880178-001 - FAN, BRACKET AND CABLE ASSEMBLY EC 230V

Item No.	Part No.	Qty.	Description
	880178-002		ASSY,FAN/BRKT/CABLE EC 230V
DWG	880178		ASSY,FAN/BRKT/CABLE
4	880178-061	0	INSPEC PROC FAN/BRKT/CABLE EC
10	880184-001	1	ASSY,CABLE FAN TO EC
12	880180-001	1	BRKT,FAN ELECT CENTRAL
15	4057502	1	FAN TBAX 4.69" 60CFM 230V
16	5053701	2	GUARD,FINGER,4-1/8 UL/CSA
17	6019401	8	NUT 6-32 KPNTSPSTZN
18	5008601	1	TIE WRAP 4"L 3/4"-MAX BUNDLE
20	6000706	2	SCR 6-32X7/16 PHMSPHSSPA
21	6027101	2	WSHR #4 .120X.280X.030 FWNYUN
22	6005903	8	SCR 6-32X3/4 PHESPHSTPL
23	6010701	16	WSHR #6 .156X.312X.032 FWSSPA

800117-1A

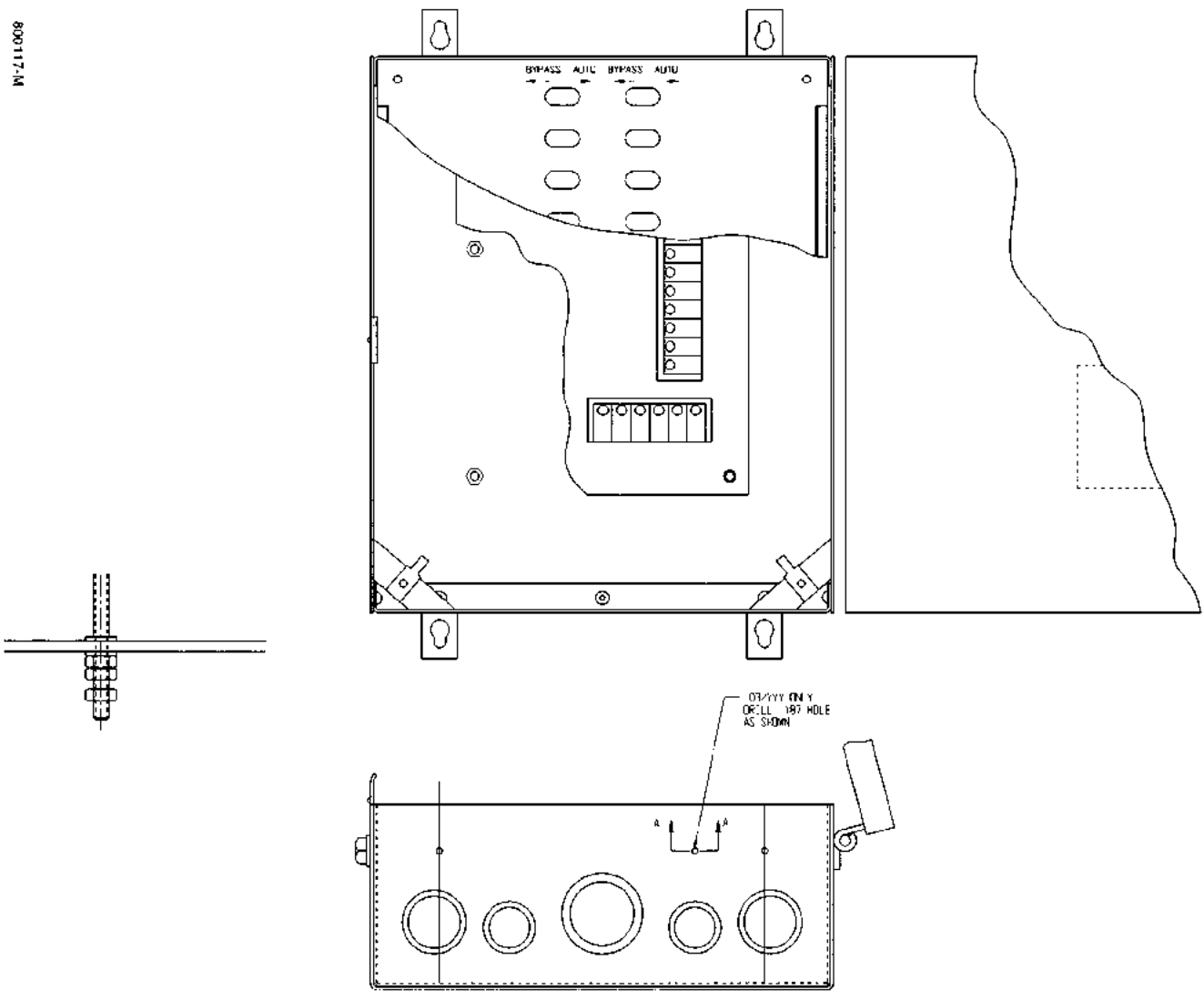


FIGURE 7. 800117 - SERIES DATA DISTRIBUTION CABINET

TABLE 26. 800117-001/008 - DATA DISTRIBUTION CABINET 8 HOSE D2400 DL

Item No.	Part No.	Qty.	Description
	800117-001/008		ASSY,DD CAB 8HOSE D2400 DL
DWG	800117		ASSY,DD CAB
2	800117-041	0	TEST PROC DD CAB
3	800117-061	0	INSPEC PROC DD CAB
6	780087-001	1	LABEL "CAUTION HAZARD OF ELEC"
7	860025-001	1	DECAL PATENT & SERIAL NO.
9	800105-001/008	1	ASSY,PCB 8HOSE DD D2400
11	800112-001	1	ENCL DATA DISTRIBUTION
13	800118-001	1	PNL SILKSCREEN DD CABINET D2400
16	790076-001	4	BRKT,COVER CONTROL CABINET D2400
20	886703-001	6	STDF M/F 1.500X.2.50 8-32 HEX ALUM
22	6010202	4	WSHR #4 .115X.281X.047 FWNYUN
23	870048-001	1	ASSY,CONNECTOR BANANA JACK
25	6000705	4	SCR 6-32X3/8 PHMSPHSSPA
27	6024301	4	NUT 6-32 SPEED U-TYPE
28	6013101	4	WSHR LK #8 ITLWMDSSPA
29	6000802	4	SCR 8-32X5/16 PHMSPHSSPA
30	6018401	8	RIVET POP 3/32 DIA X .250 L AL/AL
31	6010901	4	WSHR #8 .171X.375X.032 FWSSPA

TABLE 27. 800117-001/012 - DATA DISTRIBUTION CABINET 12 HOSE D2400 DL

Item No.	Part No.	Qty.	Description
	800117-001/012		ASSY,DD CAB 12HOSE D2400 DL
DWG	800117		ASSY,DD CAB
2	800117-041	0	TEST PROC DD CAB
3	800117-061	0	INSPEC PROC DD CAB
6	780087-001	1	LABEL "CAUTION HAZARD OF ELEC"
7	860025-001	1	DECAL PATENT & SERIAL NO.
9	800105-001/012	1	ASSY,PCB 12HOSE DD D2400
11	800112-001	1	ENCL DATA DISTRIBUTION
13	800118-001	1	PNL SILKSCREEN DD CABINET D2400
16	790076-001	4	BRKT,COVER CONTROL CABINET D2400
20	886703-001	6	STDF M/F 1.500X.2.50 8-32 HEX ALUM
22	6010202	4	WSHR #4 .115X.281X.047 FWNYUN
23	870048-001	1	ASSY,CONNECTOR BANANA JACK
25	6000705	4	SCR 6-32X3/8 PHMSPHSSPA
27	6024301	4	NUT 6-32 SPEED U-TYPE
28	6013101	4	WSHR LK #8 ITLWMDSSPA
29	6000802	4	SCR 8-32X5/16 PHMSPHSSPA
30	6018401	8	RIVET POP 3/32 DIA X .250 L AL/AL
31	6010901	4	WSHR #8 .171X.375X.032 FWSSPA

TABLE 28. 800117-001/016 - DATA DISTRIBUTION CABINET 16 HOSE D2400 DL

Item No.	Part No.	Qty.	Description
	800117-001/016		ASSY,DD CAB 16HOSE D2400 DL
DWG	800117		ASSY,DD CAB
2	800117-041	0	TEST PROC DD CAB
3	800117-061	0	INSPEC PROC DD CAB
6	780087-001	1	LABEL "CAUTION HAZARD OF ELEC"
7	860025-001	1	DECAL PATENT & SERIAL NO.
9	800105-001/016	1	ASSY,PCB 16HOSE DD D2400
11	800112-001	1	ENCL DATA DISTRIBUTION
13	800118-001	1	PNL SILKSCREEN DD CABINET D2400
16	790076-001	4	BRKT,COVER CONTROL CABINET D2400
20	886703-001	6	STDF M/F 1.500X.2.50 8-32 HEX ALUM
22	6010202	4	WSHR #4 .115X.281X.047 FWNYUN
23	870048-001	1	ASSY,CONNECTOR BANANA JACK
25	6000705	4	SCR 6-32X3/8 PHMSPHSSPA
27	6024301	4	NUT 6-32 SPEED U-TYPE
28	6013101	4	WSHR LK #8 ITLWMDSSPA
29	6000802	4	SCR 8-32X5/16 PHMSPHSSPA
30	6018401	8	RIVET POP 3/32 DIA X .250 L AL/AL
31	6010901	4	WSHR #8 .171X.375X.032 FWSSPA

TABLE 29. 800117-002/008 - DATA DISTRIBUTION CABINET 8 HOSE D2400 DL UK

Item No.	Part No.	Qty.	Description
	800117-002/008		ASSY,DD CAB 8HOSE D2400-DL,UK
DWG	800117		ASSY,DD CAB
2	800117-041	0	TEST PROC DD CAB
	800117-002/008		ASSY,DD CAB 8HOSE D2400-DL,UK
3	800117-061	0	INSPEC PROC DD CAB
6	780087-001	1	LABEL "CAUTION HAZARD OF ELEC"
7	810157-001	1	DECAL PATENT & SERIAL NO.
8	800105-001/008	1	ASSY,PCB 8HOSE DD D2400
9	800105-001/016	0	ASSY,PCB 16HOSE DD D2400
11	800112-001	1	ENCL DATA DISTRIBUTION
13	800118-001	1	PNL SILKSCREEN DD CABINET D2400
16	790076-001	4	BRKT,COVER CONTROL CABINET D2400
20	5002603	6	STDF M/F 1.500X.250 8-32 HEX SSUN
22	6010202	4	WSHR #4 .115X.281X.047 FWNYUN
23	870048-001	1	ASSY,CONNECTOR BANANA JACK
25	6000705	4	SCR 6-32X3/8 PHMSPHSSPA
27	6024301	4	NUT 6-32 SPEED U-TYPE
28	6013101	4	WSHR LK #8 ITLWMDSSPA
29	6000802	4	SCR 8-32X5/16 PHMSPHSSPA
30	6018401	8	RIVET POP 3/32 DIA X .250 L AL/AL
31	6010901	4	WSHR #8 .171X.375X.032 FWSSPA
32	5004101	1	FASTENER CLIP PUSH-ON 1/4 DIAMETER

TABLE 30. 800117-002/016 - DATA DISTRIBUTION CABINET 16 HOSE D2400 DL UK

Item No.	Part No.	Qty.	Description
	800117-002/016		ASSY,DD CAB 16HOSE D2400-DL,UK
DWG	800117		ASSY,DD CAB
2	800117-041	0	TEST PROC DD CAB
3	800117-061	0	INSPEC PROC DD CAB
6	780087-001	1	LABEL "CAUTION HAZARD OF ELEC"
7	810157-001	1	DECAL PATENT & SERIAL NO.
8	800105-001/008	0	ASSY,PCB 8HOSE DD D2400
9	800105-001/016	1	ASSY,PCB 16HOSE DD D2400
11	800112-001	1	ENCL DATA DISTRIBUTION
13	800118-001	1	PNL SILKSCREEN DD CABINET D2400
16	790076-001	4	BRKT,COVER CONTROL CABINET D2400
20	5002603	6	STDF M/F 1.500X.250 8-32 HEX SSUN
22	6010202	4	WSHR #4 .115X.281X.047 FWNYUN
23	870048-001	1	ASSY,CONNECTOR BANANA JACK
25	6000705	4	SCR 6-32X3/8 PHMSPHSSPA
27	6024301	4	NUT 6-32 SPEED U-TYPE
28	6013101	4	WSHR LK #8 ITLWMDSSPA
29	6000802	4	SCR 8-32X5/16 PHMSPHSSPA
30	6018401	8	RIVET POP 3/32 DIA X .250 L AL/AL
31	6010901	4	WSHR #8 .171X.375X.032 FWSSPA
32	5004101	1	FASTENER CLIP PUSH-ON 1/4 DIAMETER

TABLE 31. 800117-003/008 - DATA DISTRIBUTION CABINET 8 HOSE D2400 DL CANADA

Item No.	Part No.	Qty.	Description
	800117-003/008		ASSY,DD CAB 8HOSE CANADA
DWG	800117		ASSY,DD CAB
2	800117-041	0	TEST PROC DD CAB
3	800117-061	0	INSPEC PROC DD CAB
6	820142-001	1	LABEL "CAUTION HAZARD OF" CSA
7	860487-001	1	DECAL CSA
9	800105-001/008	1	ASSY,PCB 8HOSE DD D2400
11	800112-001	1	ENCL DATA DISTRIBUTION
13	800118-001	1	PNL SILKSCREEN DD CABINET D2400
16	790076-001	4	BRKT,COVER CONTROL CABINET D2400
17	6012302	2	WSHR LK #8 ETLWMDSSPA
18	6000806	1	SCR 8-32X3/4 PHMSPHSSPA
19	6008401	3	NUT 8-32 HXNTMSSSPA
20	886703-001	6	STDF M/F 1.500X.2.50 8-32 HEX ALUM
22	6010202	4	WSHR #4 .115X.281X.047 FWNYUN
23	870048-001	1	ASSY,CONNECTOR BANANA JACK
25	6000705	4	SCR 6-32X3/8 PHMSPHSSPA
27	6024301	4	NUT 6-32 SPEED U-TYPE
28	6013101	4	WSHR LK #8 ITLWMDSSPA
29	6000802	4	SCR 8-32X5/16 PHMSPHSSPA
30	6018401	8	RIVET POP 3/32 DIA X .250 L AL/AL
31	6010901	4	WSHR #8 .171X.375X.032 FWSSPA
33	6016901	1	SCR 8X3/8 IW-ASLSTZN

TABLE 32. 800117-003/016 - DATA DISTRIBUTION CABINET 16 HOSE D2400 DL CANADA

Item No.	Part No.	Qty.	Description
	800117-003/016		ASSY,DD CAB 16HOSE CANADA
DWG	800117		ASSY,DD CAB
2	800117-041	0	TEST PROC DD CAB
3	800117-061	0	INSPEC PROC DD CAB
6	820142-001	1	LABEL "CAUTION HAZARD OF" CSA
7	860487-001	1	DECAL CSA
9	800105-001/016	1	ASSY,PCB 16HOSE DD D2400
11	800112-001	1	ENCL DATA DISTRIBUTION
13	800118-001	1	PNL SILKSCREEN DD CABINET D2400
16	790076-001	4	BRKT,COVER CONTROL CABINET D2400
17	6012302	2	WSHR LK #8 ETLWMDSSPA
18	6000806	1	SCR 8-32X3/4 PHMSPHSSPA
19	6008401	3	NUT 8-32 HXNTMSSSPA
20	886703-001	6	STDF M/F 1.500X.2.50 8-32 HEX ALUM
22	6010202	4	WSHR #4 .115X.281X.047 FWNYUN
23	870048-001	1	ASSY,CONNECTOR BANANA JACK
25	6000705	4	SCR 6-32X3/8 PHMSPHSSPA
27	6024301	4	NUT 6-32 SPEED U-TYPE
28	6013101	4	WSHR LK #8 ITLWMDSSPA
29	6000802	4	SCR 8-32X5/16 PHMSPHSSPA
30	6018401	8	RIVET POP 3/32 DIA X .250 L AL/AL
31	6010901	4	WSHR #8 .171X.375X.032 FWSSPA
33	6016901	1	SCR 8X3/8 IW-ASLSTZN

TABLE 33. 790345-001/004 - PUMP RELAY CABINET 4 PROD REMOTE 115V

Item No.	Part No.	Qty.	Description
	790345-001/004		ASSY,PR CAB 4PROD REMOTE 115V
DWG	790345		ASSY,PR CAB
2	790345-011	0	DIAGRAM FUNCTIONAL
5	790345-041	0	TEST PROC PR CAB
6	790345-061	0	INSPEC PROC PUMP RELAY CABINET
9	790347-001/004	1	ASSY,PCB CTRL BD 4PUMP PR
10	790347-001/006	0	ASSY,PCB CTRL BD 6PUMP PR
11	800040-001	1	ASSY,WIRE SET PR CAB 4PROD
12	800040-002	0	ASSY,WIRE SET PR CAB 6PROD
17	800035-001	1	ENCL PUMP RELAY MODIFIED
18	800036-001	2	BRKT,MTG RELAY BOX TO WALL
21	4020502	2	TERM BLOCK 8POS 2ROWS MTG-HOLE
25	800041-001	2	MARKING STP PR D2400
29	4027303	4	RELAY PWR DPST 120V UL-CSA
34	860025-001	1	DECAL PATENT & SERIAL NO.
35	780087-001	1	LABEL "CAUTION HAZARD OF ELEC"
37	5008601	6	TIE WRAP 4"L 3/4"-MAX BUNDLE
38	6010702	16	WSHR #6 .149X.375X.032 FWSSPA
39	6000710	16	SCR 6-32X3/4 PHMSPHSSPA
40	6013001	16	WSHR LK #6 ITLWMDSSPA
41	4047302	4	DISCONN-ADPTR 1FEMALE&2MALES
42	5006901	0	CABLE CLAMP AL W/VINYL 3/16"D
43	6005901	4	SCR 6-32X3/8 PHESPHSTPL
44	5006904	1	CABLE CLAMP AL W/VINYL 3/8"D
45	5006905	0	CABLE CLAMP AL W/VINYL 1/2"D
46	790086-001	2	SHROUD PR D2400
48	6018401	6	RIVET POP 3/32 DIA X .250 L AL/AL
49	6010301	6	WSHR #3 .100X.250X.032 FWSSPA
50	870048-001	1	ASSY,CONNECTOR BANANA JACK
52	5004101	1	FASTENER CLIP PUSH-ON 1/4 DIAMETER

TABLE 34. 790345-001/006 - PUMP RELAY CABINET 6 PROD REMOTE 115V

Item No.	Part No.	Qty.	Description
	790345-001/006		ASSY,PR CAB 6PROD REMOTE 115V
DWG	790345		ASSY,PR CAB
2	790345-011	0	DIAGRAM FUNCTIONAL
5	790345-041	0	TEST PROC PR CAB
6	790345-061	0	INSPEC PROC PUMP RELAY CABINET
9	790347-001/004	0	ASSY,PCB CTRL BD 4PUMP PR
10	790347-001/006	1	ASSY,PCB CTRL BD 6PUMP PR
11	800040-001	0	ASSY,WIRE SET PR CAB 4PROD
12	800040-002	1	ASSY,WIRE SET PR CAB 6PROD
17	800035-001	1	ENCL PUMP RELAY MODIFIED
18	800036-001	2	BRKT,MTG RELAY BOX TO WALL
21	4020502	3	TERM BLOCK 8POS 2ROWS MTG-HOLE
25	800041-001	3	MARKING STP PR D2400
29	4027303	6	RELAY PWR DPST 120V UL-CSA
34	860025-001	1	DECAL PATENT & SERIAL NO.
35	780087-001	1	LABEL "CAUTION HAZARD OF ELEC"
37	5008601	9	TIE WRAP 4"L 3/4"-MAX BUNDLE
38	6010702	24	WSHR #6 .149X.375X.032 FWSSPA
39	6000710	24	SCR 6-32X3/4 PHMSPHSSPA
40	6013001	24	WSHR LK #6 ITLWMDSSPA
41	4047302	5	DISCONN-ADPTR 1FEMALE&2MALES
42	5006901	1	CABLE CLAMP AL W/VINYL 3/16"D
43	6005901	4	SCR 6-32X3/8 PHESPHSTPL
44	5006904	0	CABLE CLAMP AL W/VINYL 3/8"D
45	5006905	1	CABLE CLAMP AL W/VINYL 1/2"D
46	790086-001	3	SHROUD PR D2400
48	6018401	9	RIVET POP 3/32 DIA X .250 L AL/AL
49	6010301	9	WSHR #3 .100X.250X.032 FWSSPA
50	870048-001	1	ASSY,CONNECTOR BANANA JACK
52	5004101	1	FASTENER CLIP PUSH-ON 1/4 DIAMETER

TABLE 35. 790345-002/004 - PUMP RELAY CABINET 4 PROD SUCTION 115V

Item No.	Part No.	Qty.	Description
	790345-002/004		ASSY,PR CAB 4PROD SUCTION 115V
DWG	790345		ASSY,PR CAB
5	790345-041	0	TEST PROC PR CAB
6	790345-061	0	INSPEC PROC PUMP RELAY CABINET
7	790345-012	0	SCHEM,RELAY CTRL BOX D2400
15	800196-001	1	ENCL PUMP RELAY
18	800036-001	2	BRKT,MTG RELAY BOX TO WALL
21	4020502	2	TERM BLOCK 8POS 2ROWS MTG-HOLE
23	4020501	1	TERM BLOCK 6POS 2ROWS MTG-HOLE
24	6022601	1	WSHR TERM CUP #8 .178X.513X.032
25	800041-001	2	MARKING STP PR D2400
27	4027001	1	MARKING STP TERM BLOCK 6POS
29	4027303	4	RELAY PWR DPST 120V UL-CSA
30	4047302	4	DISCONN-ADPTR 1FEMALE&2MALES
31	800221-001/004	1	WIRE SET 4PUMP PR SUCTION
32	800221-001/002	0	WIRE SET 6PUMP PR D2400
34	860025-001	1	DECAL PATENT & SERIAL NO.
35	780087-001	1	LABEL "CAUTION HAZARD OF ELEC"
37	5008601	3	TIE WRAP 4"L 3/4"-MAX BUNDLE
39	6005903	20	SCR 6-32X3/4 PHESPHSTPL
40	6005902	4	SCR 6-32X1/2 PHESPHSTPL
41	6010701	20	WSHR #6 .156X.312X.032 FWSSPA
44	6000806	1	SCR 8-32X3/4 PHMSPHSSPA
45	6008401	3	NUT 8-32 HXNTMSSSPA
46	790086-001	2	SHROUD PR D2400
47	6012302	2	WSHR LK #8 ETLWMDSSPA
48	6018401	12	RIVET POP 3/32 DIA X .250 L AL/AL
49	6010301	6	WSHR #3 .100X.250X.032 FWSSPA

TABLE 36. 790345-002/006 - PUMP RELAY CABINET 6 PROD SUCTION 115V

Item No.	Part No.	Qty.	Description
	790345-002/006		ASSY,PR CAB 6PROD SUCTION 115V
DWG	790345		ASSY,PR CAB
5	790345-041	0	TEST PROC PR CAB
6	790345-061	0	INSPEC PROC PUMP RELAY CABINET
7	790345-012	0	SCHEM,RELAY CTRL BOX D2400
15	800196-001	1	ENCL PUMP RELAY
18	800036-001	2	BRKT,MTG RELAY BOX TO WALL
21	4020502	3	TERM BLOCK 8POS 2ROWS MTG-HOLE
23	4020501	2	TERM BLOCK 6POS 2ROWS MTG-HOLE
24	6022601	1	WSHR TERM CUP #8 .178X.513X.032
25	800041-001	3	MARKING STP PR D2400
27	4027001	2	MARKING STP TERM BLOCK 6POS
29	4027303	6	RELAY PWR DPST 120V UL-CSA
30	4047302	6	DISCONN-ADPTR 1FEMALE&2MALES
31	800221-001/004	1	WIRE SET 4PUMP PR SUCTION
32	800221-001/002	1	WIRE SET 6PUMP PR D2400
34	860025-001	1	DECAL PATENT & SERIAL NO.
35	780087-001	1	LABEL "CAUTION HAZARD OF ELEC"
37	5008601	5	TIE WRAP 4"L 3/4"-MAX BUNDLE
39	6005903	32	SCR 6-32X3/4 PHESPHSTPL
40	6005902	4	SCR 6-32X1/2 PHESPHSTPL
41	6010701	32	WSHR #6 .156X.312X.032 FWSSPA
44	6000806	1	SCR 8-32X3/4 PHMSPHSSPA
45	6008401	3	NUT 8-32 HXNTMSSSPA
46	790086-001	3	SHROUD PR D2400
47	6012302	2	WSHR LK #8 ETLWMDSSPA
48	6018401	12	RIVET POP 3/32 DIA X .250 L AL/AL
49	6010301	9	WSHR #3 .100X.250X.032 FWSSPA

TABLE 37. 790345-002/008 - PUMP RELAY CABINET 8 HOSE SUCTION 115V

Item No.	Part No.	Qty.	Description
	790345-002/008		ASSY,PR CAB 8HOSE SUCTION 115V
DWG	790345		ASSY,PR CAB
5	790345-041	0	TEST PROC PR CAB
6	790345-061	0	INSPEC PROC PUMP RELAY CABINET
7	790345-012	0	SCHEM,RELAY CTRL BOX D2400
15	800196-001	1	ENCL PUMP RELAY
18	800036-001	2	BRKT,MTG RELAY BOX TO WALL
21	4020502	4	TERM BLOCK 8POS 2ROWS MTG-HOLE
23	4020501	2	TERM BLOCK 6POS 2ROWS MTG-HOLE
24	6022601	1	WSHR TERM CUP #8 .178X.513X.032
25	800041-001	4	MARKING STP PR D2400
27	4027001	2	MARKING STP TERM BLOCK 6POS
29	4027303	8	RELAY PWR DPST 120V UL-CSA
30	4047302	8	DISCONN-ADPTR 1FEMALE&2MALES
31	800221-001/004	2	WIRE SET 4PUMP PR SUCTION
32	800221-001/002	0	WIRE SET 6PUMP PR D2400
34	860025-001	1	DECAL PATENT & SERIAL NO.
35	780087-001	1	LABEL "CAUTION HAZARD OF ELEC"
37	5008601	6	TIE WRAP 4"L 3/4"-MAX BUNDLE
39	6005903	40	SCR 6-32X3/4 PHESPHSTPL
40	6005902	4	SCR 6-32X1/2 PHESPHSTPL
41	6010701	40	WSHR #6 .156X.312X.032 FWSSPA
44	6000806	1	SCR 8-32X3/4 PHMSPHSSPA
45	6008401	3	NUT 8-32 HXNTMSSSPA
46	790086-001	4	SHROUD PR D2400
47	6012302	2	WSHR LK #8 ETLWMDSSPA
48	6018401	12	RIVET POP 3/32 DIA X .250 L AL/AL
49	6010301	12	WSHR #3 .100X.250X.032 FWSSPA

TABLE 38. 790345-003/004 - PUMP RELAY CABINET 4 HOSE SUCTION/REMOTE 230V

Item No.	Part No.	Qty.	Description
	790345-003/004		ASSY,PR CAB SUCT/REMOTE 4HOSE 230V
DWG	790345		ASSY,PR CAB
5	790345-041	0	TEST PROC PR CAB
6	790345-061	0	INSPEC PROC PUMP RELAY CABINET
7	790345-012	0	SCHEM,RELAY CTRL BOX D2400
15	800196-001	1	ENCL PUMP RELAY
18	800036-001	2	BRKT,MTG RELAY BOX TO WALL
21	4020502	2	TERM BLOCK 8POS 2ROWS MTG-HOLE
23	4020501	1	TERM BLOCK 6POS 2ROWS MTG-HOLE
24	6022601	1	WSHR TERM CUP #8 .178X.513X.032
25	800041-001	2	MARKING STP PR D2400
27	4027001	1	MARKING STP TERM BLOCK 6POS
29	4027302	4	RELAY PWR DPST 240V UL-CSA
30	4047302	4	DISCONN-ADPTR 1FEMALE&2MALES
31	800221-001/004	1	WIRE SET 4PUMP PR SUCTION
32	800221-001/002	0	WIRE SET 6PUMP PR D2400
34	860025-001	1	DECAL PATENT & SERIAL NO.
35	780087-001	1	LABEL "CAUTION HAZARD OF ELEC"
37	5008601	3	TIE WRAP 4"L 3/4"-MAX BUNDLE
39	6005903	20	SCR 6-32X3/4 PHESPHSTPL
40	6005902	4	SCR 6-32X1/2 PHESPHSTPL
41	6010701	20	WSHR #6 .156X.312X.032 FWSSPA
44	6000806	1	SCR 8-32X3/4 PHMSPHSSPA
45	6008401	3	NUT 8-32 HXNTMSSSPA
46	790086-001	2	SHROUD PR D2400
47	6012302	2	WSHR LK #8 ETLWMDSSPA
48	6018401	12	RIVET POP 3/32 DIA X .250 L AL/AL
49	6010301	6	WSHR #3 .100X.250X.032 FWSSPA

TABLE 39. 790345-003/006 - PUMP RELAY CABINET 6 HOSE SUCTION/REMOTE 230V

Item No.	Part No.	Qty.	Description
	790345-003/006		ASSY,PR CAB SUCT/REMOTE 6HOSE 230V
DWG	790345		ASSY,PR CAB
5	790345-041	0	TEST PROC PR CAB
6	790345-061	0	INSPEC PROC PUMP RELAY CABINET
7	790345-012	0	SCHEM,RELAY CTRL BOX D2400
15	800196-001	1	ENCL PUMP RELAY
18	800036-001	2	BRKT,MTG RELAY BOX TO WALL
21	4020502	3	TERM BLOCK 8POS 2ROWS MTG-HOLE
23	4020501	2	TERM BLOCK 6POS 2ROWS MTG-HOLE
24	6022601	1	WSHR TERM CUP #8 .178X.513X.032
25	800041-001	3	MARKING STP PR D2400
27	4027001	2	MARKING STP TERM BLOCK 6POS
29	4027302	6	RELAY PWR DPST 240V UL-CSA
30	4047302	6	DISCONN-ADPTR 1FEMALE&2MALES
31	800221-001/004	1	WIRE SET 4PUMP PR SUCTION
32	800221-001/002	1	WIRE SET 6PUMP PR D2400
34	860025-001	1	DECAL PATENT & SERIAL NO.
35	780087-001	1	LABEL "CAUTION HAZARD OF ELEC"
37	5008601	5	TIE WRAP 4"L 3/4"-MAX BUNDLE
39	6005903	32	SCR 6-32X3/4 PHESPHSTPL
40	6005902	4	SCR 6-32X1/2 PHESPHSTPL
41	6010701	32	WSHR #6 .156X.312X.032 FWSSPA
44	6000806	1	SCR 8-32X3/4 PHMSPHSSPA
45	6008401	3	NUT 8-32 HXNTMSSSPA
46	790086-001	3	SHROUD PR D2400
47	6012302	2	WSHR LK #8 ETLWMDSSPA
48	6018401	12	RIVET POP 3/32 DIA X .250 L AL/AL
49	6010301	9	WSHR #3 .100X.250X.032 FWSSPA

TABLE 40. 790345-003/008 - PUMP RELAY CABINET 8 HOSE SUCTION/REMOTE 230V

Item No.	Part No.	Qty.	Description
	790345-003/008		ASSY,PR CAB SUCT/REMOTE 8HOSE 230V
DWG	790345		ASSY,PR CAB
5	790345-041	0	TEST PROC PR CAB
6	790345-061	0	INSPEC PROC PUMP RELAY CABINET
15	800196-001	1	ENCL PUMP RELAY
18	800036-001	2	BRKT,MTG RELAY BOX TO WALL
21	4020502	4	TERM BLOCK 8POS 2ROWS MTG-HOLE
23	4020501	2	TERM BLOCK 6POS 2ROWS MTG-HOLE
24	6022601	1	WSHR TERM CUP #8 .178X.513X.032
25	800041-001	4	MARKING STP PR D2400
27	4027001	2	MARKING STP TERM BLOCK 6POS
29	4027302	8	RELAY PWR DPST 240V UL-CSA
30	4047302	8	DISCONN-ADPTR 1FEMALE&2MALES
31	800221-001/004	2	WIRE SET 4PUMP PR SUCTION
32	800221-001/002	0	WIRE SET 6PUMP PR D2400
34	860025-001	1	DECAL PATENT & SERIAL NO.
35	780087-001	1	LABEL "CAUTION HAZARD OF ELEC"
37	5008601	10	TIE WRAP 4"L 3/4"-MAX BUNDLE
39	6005903	40	SCR 6-32X3/4 PHESPHSTPL
40	6005902	4	SCR 6-32X1/2 PHESPHSTPL
41	6010701	40	WSHR #6 .156X.312X.032 FWSSPA
44	6000806	1	SCR 8-32X3/4 PHMSPHSSPA
45	6008401	3	NUT 8-32 HXNTMSSSPA
46	790086-001	4	SHROUD PR D2400
47	6012302	2	WSHR LK #8 ETLWMDSSPA
48	6018401	12	RIVET POP 3/32 DIA X .250 L AL/AL
49	6010301	12	WSHR #3 .100X.250X.032 FWSSPA
50	870048-001	1	ASSY,CONNECTOR BANANA JACK
52	5004101	1	FASTENER CLIP PUSH-ON 1/4 DIAMETER

TABLE 41. 790345-006/004 - PUMP RELAY CABINET 4 HOSE SUCTION/REMOTE 230V

Item No.	Part No.	Qty.	Description
	790345-006/004		ASSY,PR CAB SUCT/REMOTE 4HOSE 230V
DWG	790345		ASSY,PR CAB
2	790345-011	0	DIAGRAM FUNCTIONAL
5	790345-041	0	TEST PROC PR CAB
6	790345-061	0	INSPEC PROC PUMP RELAY CABINET
9	790347-002/004	1	ASSY,PCB CTRL BD 4PUMP PR 230V
10	790347-002/006	0	ASSY,PCB CTRL BD 6PUMP PR 230V
11	800040-001	1	ASSY,WIRE SET PR CAB 4PROD
12	800040-002	0	ASSY,WIRE SET PR CAB 6PROD
17	800035-001	1	ENCL PUMP RELAY MODIFIED
18	800036-001	2	BRKT,MTG RELAY BOX TO WALL
21	4020502	2	TERM BLOCK 8POS 2ROWS MTG-HOLE
25	800041-001	2	MARKING STP PR D2400
29	4027302	4	RELAY PWR DPST 240V UL-CSA
34	860025-001	1	DECAL PATENT & SERIAL NO.
35	780087-001	1	LABEL "CAUTION HAZARD OF ELEC"
37	5008601	5	TIE WRAP 4"L 3/4"-MAX BUNDLE
38	6010702	16	WSHR #6 .149X.375X.032 FWSSPA
39	6000710	16	SCR 6-32X3/4 PHMSPHSSPA
40	6013001	16	WSHR LK #6 ITLWMDSSPA
41	4047302	4	DISCONN-ADPTR 1FEMALE&2MALES
42	5006901	0	CABLE CLAMP AL W/VINYL 3/16"D
43	6005901	4	SCR 6-32X3/8 PHESPHSTPL
44	5006904	1	CABLE CLAMP AL W/VINYL 3/8"D
45	5006905	0	CABLE CLAMP AL W/VINYL 1/2"D
46	790086-001	2	SHROUD PR D2400
48	6018401	6	RIVET POP 3/32 DIA X .250 L AL/AL
49	6010301	6	WSHR #3 .100X.250X.032 FWSSPA
50	870048-001	1	ASSY,CONNECTOR BANANA JACK
52	5004101	1	FASTENER CLIP PUSH-ON 1/4 DIAMETER

TABLE 42. 790345-006/006 - PUMP RELAY CABINET 6 HOSE SUCTION/REMOTE 230V

Item No.	Part No.	Qty.	Description
	790345-006/006		ASSY,PR CAB SUCT/REMOTE 6HOSE 230V
DWG	790345		ASSY,PR CAB
2	790345-011	0	DIAGRAM FUNCTIONAL
5	790345-041	0	TEST PROC PR CAB
6	790345-061	0	INSPEC PROC PUMP RELAY CABINET
9	790347-002/004	0	ASSY,PCB CTRL BD 4PUMP PR 230V
10	790347-002/006	1	ASSY,PCB CTRL BD 6PUMP PR 230V
11	800040-001	0	ASSY,WIRE SET PR CAB 4PROD
12	800040-002	1	ASSY,WIRE SET PR CAB 6PROD
17	800035-001	1	ENCL PUMP RELAY MODIFIED
18	800036-001	2	BRKT,MTG RELAY BOX TO WALL
21	4020502	3	TERM BLOCK 8POS 2ROWS MTG-HOLE
25	800041-001	3	MARKING STP PR D2400
29	4027302	6	RELAY PWR DPST 240V UL-CSA
34	860025-001	1	DECAL PATENT & SERIAL NO.
35	780087-001	1	LABEL "CAUTION HAZARD OF ELEC"
37	5008601	8	TIE WRAP 4"L 3/4"-MAX BUNDLE
38	6010702	24	WSHR #6 .149X.375X.032 FWSSPA
39	6000710	24	SCR 6-32X3/4 PHMSPHSSPA
40	6013001	24	WSHR LK #6 ITLWMDSSPA
41	4047302	5	DISCONN-ADPTR 1FEMALE&2MALES
42	5006901	1	CABLE CLAMP AL W/VINYL 3/16"D
43	6005901	4	SCR 6-32X3/8 PHESPHSTPL
44	5006904	0	CABLE CLAMP AL W/VINYL 3/8"D
45	5006905	1	CABLE CLAMP AL W/VINYL 1/2"D
46	790086-001	3	SHROUD PR D2400
48	6018401	9	RIVET POP 3/32 DIA X .250 L AL/AL
49	6010301	9	WSHR #3 .100X.250X.032 FWSSPA
50	870048-001	1	ASSY,CONNECTOR BANANA JACK
52	5004101	1	FASTENER CLIP PUSH-ON 1/4 DIAMETER

TABLE 43. 790345-008/004 - PUMP RELAY CABINET 4 PROD REMOTE 115V

Item No.	Part No.	Qty.	Description
	790345-008/004		ASSY,PR CAB 4PROD REMOTE 115V
DWG	790345		ASSY,PR CAB
2	790345-011	0	DIAGRAM FUNCTIONAL
5	790345-041	0	TEST PROC PR CAB
6	790345-061	0	INSPEC PROC PUMP RELAY CABINET
9	790347-001/004	1	ASSY,PCB CTRL BD 4PUMP PR
10	790347-001/006	0	ASSY,PCB CTRL BD 6PUMP PR
11	800040-001	1	ASSY,WIRE SET PR CAB 4PROD
12	800040-002	0	ASSY,WIRE SET PR CAB 6PROD
17	800035-001	1	ENCL PUMP RELAY MODIFIED
18	800036-001	2	BRKT,MTG RELAY BOX TO WALL
21	4020502	2	TERM BLOCK 8POS 2ROWS MTG-HOLE
24	6022601	1	WSHR TERM CUP #8 .178X.513X.032
25	800041-001	2	MARKING STP PR D2400
29	4027303	4	RELAY PWR DPST 120V UL-CSA
34	860487-001	1	DECAL CSA
35	820142-001	1	LABEL "CAUTION HAZARD OF" CSA
37	5008601	5	TIE WRAP 4"L 3/4"-MAX BUNDLE
38	6010702	16	WSHR #6 .149X.375X.032 FWSSPA
39	6000710	16	SCR 6-32X3/4 PHMSPHSSPA
40	6013001	16	WSHR LK #6 ITLWMDSSPA
41	4047302	4	DISCONN-ADPTR 1FEMALE&2MALES
42	5006901	0	CABLE CLAMP AL W/VINYL 3/16"D
43	6005901	4	SCR 6-32X3/8 PHESPHSTPL
44	6000806	1	SCR 8-32X3/4 PHMSPHSSPA
45	6008401	3	NUT 8-32 HXNTMSSSPA
46	790086-001	2	SHROUD PR D2400
47	6012302	2	WSHR LK #8 ETLWMDSSPA
48	6018401	6	RIVET POP 3/32 DIA X .250 L AL/AL
49	6010301	6	WSHR #3 .100X.250X.032 FWSSPA
50	5006904	1	CABLE CLAMP AL W/VINYL 3/8"D
51	5006905	0	CABLE CLAMP AL W/VINYL 1/2"D
52	6016901	1	SCR 8X3/8 IW-ASLSTZN

TABLE 44. 790345-008/006 - PUMP RELAY CABINET 6 PROD REMOTE 115V

Item No.	Part No.	Qty.	Description
	790345-008/006		ASSY,PR CAB 6PROD REMOTE 115V
DWG	790345		ASSY,PR CAB
1	790345-011	0	DIAGRAM FUNCTIONAL
5	790345-041	0	TEST PROC PR CAB
6	790345-061	0	INSPEC PROC PUMP RELAY CABINET
9	790347-001/004	0	ASSY,PCB CTRL BD 4PUMP PR
10	790347-001/006	1	ASSY,PCB CTRL BD 6PUMP PR
11	800040-001	0	ASSY,WIRE SET PR CAB 4PROD
12	800040-002	1	ASSY,WIRE SET PR CAB 6PROD
17	800035-001	1	ENCL PUMP RELAY MODIFIED
18	800036-001	2	BRKT,MTG RELAY BOX TO WALL
21	4020502	3	TERM BLOCK 8POS 2ROWS MTG-HOLE
24	6022601	1	WSHR TERM CUP #8 .178X.513X.032
25	800041-001	3	MARKING STP PR D2400
29	4027303	6	RELAY PWR DPST 120V UL-CSA
34	860487-001	1	DECAL CSA
35	820142-001	1	LABEL "CAUTION HAZARD OF" CSA
37	5008601	8	TIE WRAP 4"L 3/4"-MAX BUNDLE
38	6010702	24	WSHR #6 .149X.375X.032 FWSSPA
39	6000710	24	SCR 6-32X3/4 PHMSPHSSPA
40	6013001	24	WSHR LK #6 ITLWMDSSPA
41	4047302	5	DISCONN-ADPTR 1FEMALE&2MALES
42	5006901	1	CABLE CLAMP AL W/VINYL 3/16"D
43	6005901	4	SCR 6-32X3/8 PHESPHSTPL
44	6000806	1	SCR 8-32X3/4 PHMSPHSSPA
45	6008401	3	NUT 8-32 HXNTMSSSPA
46	790086-001	3	SHROUD PR D2400
47	6012302	2	WSHR LK #8 ETLWMDSSPA
48	6018401	9	RIVET POP 3/32 DIA X .250 L AL/AL
49	6010301	9	WSHR #3 .100X.250X.032 FWSSPA
50	5006904	0	CABLE CLAMP AL W/VINYL 3/8"D
51	5006905	1	CABLE CLAMP AL W/VINYL 1/2"D
52	6016901	1	SCR 8X3/8 IW-ASLSTZN

TABLE 45. 790345-009/004 - PUMP RELAY CABINET SUCTION/REMOTE 115V CANADA

Item No.	Part No.	Qty.	Description
	790345-009/004		ASSY,PR CAB SUCT/REMOTE 115V CANADA
DWG	790345		ASSY,PR CAB
5	790345-041	0	TEST PROC PR CAB
6	790345-061	0	INSPEC PROC PUMP RELAY CABINET
7	790345-012	0	SCHEM,RELAY CTRL BOX D2400
15	800196-001	1	ENCL PUMP RELAY
18	800036-001	2	BRKT,MTG RELAY BOX TO WALL
21	4020502	2	TERM BLOCK 8POS 2ROWS MTG-HOLE
23	4020501	1	TERM BLOCK 6POS 2ROWS MTG-HOLE
24	6022601	1	WSHR TERM CUP #8 .178X.513X.032
25	800041-001	2	MARKING STP PR D2400
27	4027001	1	MARKING STP TERM BLOCK 6POS
29	4027303	4	RELAY PWR DPST 120V UL-CSA
30	4047302	4	DISCONN-ADPTR 1FEMALE&2MALES
31	800221-001/004	1	WIRE SET 4PUMP PR SUCTION
32	800221-001/002	0	WIRE SET 6PUMP PR D2400
34	860487-001	1	DECAL CSA
35	820142-001	1	LABEL "CAUTION HAZARD OF" CSA
37	5008601	3	TIE WRAP 4"L 3/4"-MAX BUNDLE
39	6005903	20	SCR 6-32X3/4 PHESPHSTPL
40	6005902	4	SCR 6-32X1/2 PHESPHSTPL
41	6010701	20	WSHR #6 .156X.312X.032 FWSSPA
44	6000806	1	SCR 8-32X3/4 PHMSPHSSPA
45	6008401	3	NUT 8-32 HXNTMSSSPA
46	790086-001	2	SHROUD PR D2400
47	6012302	2	WSHR LK #8 ETLWMDSSPA
48	6018401	12	RIVET POP 3/32 DIA X .250 L AL/AL
49	6010301	6	WSHR #3 .100X.250X.032 FWSSPA
52	6016901	1	SCR 8X3/8 IW-ASLSTZN

TABLE 46. 790345-009/006 - PUMP RELAY CABINET SUCTION/REMOTE 115V CANADA

Item No.	Part No.	Qty.	Description
	790345-009/006		ASSY,PR CAB SUCT/REMOTE 115V CANADA
DWG	790345		ASSY,PR CAB
5	790345-041	0	TEST PROC PR CAB
6	790345-061	0	INSPEC PROC PUMP RELAY CABINET
7	790345-012	0	SCHEM,RELAY CTRL BOX D2400
15	800196-001	1	ENCL PUMP RELAY
18	800036-001	2	BRKT,MTG RELAY BOX TO WALL
21	4020502	3	TERM BLOCK 8POS 2ROWS MTG-HOLE
23	4020501	2	TERM BLOCK 6POS 2ROWS MTG-HOLE
24	6022601	1	WSHR TERM CUP #8 .178X.513X.032
25	800041-001	3	MARKING STP PR D2400
27	4027001	2	MARKING STP TERM BLOCK 6POS
29	4027303	6	RELAY PWR DPST 120V UL-CSA
30	4047302	6	DISCONN-ADPTR 1FEMALE&2MALES
31	800221-001/004	1	WIRE SET 4PUMP PR SUCTION
32	800221-001/002	1	WIRE SET 6PUMP PR D2400
34	860487-001	1	DECAL CSA
35	820142-001	1	LABEL "CAUTION HAZARD OF" CSA
37	5008601	5	TIE WRAP 4"L 3/4"-MAX BUNDLE
39	6005903	32	SCR 6-32X3/4 PHESPHSTPL
40	6005902	4	SCR 6-32X1/2 PHESPHSTPL
41	6010701	32	WSHR #6 .156X.312X.032 FWSSPA
44	6000806	1	SCR 8-32X3/4 PHMSPHSSPA
45	6008401	3	NUT 8-32 HXNTMSSSPA
46	790086-001	3	SHROUD PR D2400
47	6012302	2	WSHR LK #8 ETLWMDSSPA
48	6018401	12	RIVET POP 3/32 DIA X .250 L AL/AL
49	6010301	9	WSHR #3 .100X.250X.032 FWSSPA
52	6016901	1	SCR 8X3/8 IW-ASLSTZN

TABLE 47. 790345-009/008 - PUMP RELAY CABINET SUCTION/REMOTE 115V CANADA

Item No.	Part No.	Qty.	Description
	790345-009/008		ASSY,PR CAB SUCT/REMOTE 115V CANADA
DWG	790345		ASSY,PR CAB
5	790345-041	0	TEST PROC PR CAB
6	790345-061	0	INSPEC PROC PUMP RELAY CABINET
15	800196-001	1	ENCL PUMP RELAY
18	800036-001	2	BRKT,MTG RELAY BOX TO WALL
21	4020502	4	TERM BLOCK 8POS 2ROWS MTG-HOLE
23	4020501	2	TERM BLOCK 6POS 2ROWS MTG-HOLE
24	6022601	1	WSHR TERM CUP #8 .178X.513X.032
25	800041-001	4	MARKING STP PR D2400
27	4027001	2	MARKING STP TERM BLOCK 6POS
29	4027303	8	RELAY PWR DPST 120V UL-CSA
30	4047302	8	DISCONN-ADPTR 1FEMALE&2MALES
31	800221-001/004	2	WIRE SET 4PUMP PR SUCTION
32	800221-001/002	0	WIRE SET 6PUMP PR D2400
34	860487-001	1	DECAL CSA
35	820142-001	1	LABEL "CAUTION HAZARD OF" CSA
37	5008601	10	TIE WRAP 4"L 3/4"-MAX BUNDLE
39	6000710	40	SCR 6-32X3/4 PHMSPHSSPA
40	6000707	4	SCR 6-32X1/2 PHMSPHSSPA
41	6010701	40	WSHR #6 .156X.312X.032 FWSSPA
42	6013001	40	WSHR LK #6 ITLWMDSSPA
44	6000806	1	SCR 8-32X3/4 PHMSPHSSPA
45	6008401	3	NUT 8-32 HXNTMSSSPA
46	790086-001	4	SHROUD PR D2400
47	6012302	2	WSHR LK #8 ETLWMDSSPA
48	6018401	12	RIVET POP 3/32 DIA X .250 L AL/AL
49	6010301	12	WSHR #3 .100X.250X.032 FWSSPA
52	6016901	1	SCR 8X3/8 IW-ASLSTZN

TABLE 48. 850274-001 - POWER SUPPLY ASSEMBLY 120V EC

Item No.	Part No.	Qty.	Description
	850274-001		ASSY,PWR SUPPLY 120V EC
DWG	850274		ASSY,PWR SUPPLY
1	850274-011	0	SCHEM PWR SUPP D2400 CPS
2	850274-041	0	TEST PROC PWR SUPPLY CPS
3	850274-061	0	INSPEC PROC PWR SUPPLY CPS
7	800045-005	1	ASSY,PCB PWR SUPP
8	800068-001	1	SUB-ASSY,XFMR PWR SUP 120VAC
9	860112-001	1	ASSY,WIRING HARNESS PWR SUPPLY
11	3306304	2	CAP AL 70KUF 40V /+75-10%
15	800051-001	1	FRAME POWER SUPPLY MODULE EC D2400
17	800067-001	1	PLT,BACK PWR SUP MODULE D2400
18	882047-001	2	CLAMP,CAPACITOR POWER SUPPLY MODULE
21	800182-001	1	CARD GUIDE MOD OF RICHCO PCG-3A
24	6005902	4	SCR 6-32X1/2 PHESPHSTPL
25	6018404	8	RIVET POP 1/8 DIA X .337 L AL/AL
26	6010701	4	WSHR #6 .156X.312X.032 FWSSPA
28	6030101	4	SCR 8-32X3/8 PHESPHSTZN
29	6005911	1	SCR 8-32X3/4 PHESPHSTPL
32	6010901	5	WSHR #8 .171X.375X.032 FWSSPA
33	6013201	8	WSHR LK #10 ITLWMDSSPA

TABLE 49. 850274-002 - POWER SUPPLY ASSEMBLY 240V CPS

Item No.	Part No.	Qty.	Description
	850274-002		ASSY,PWR SUPPLY 240V CPS
DWG	850274		ASSY,PWR SUPPLY
1	850274-011	0	SCHEM PWR SUPP D2400 CPS
2	850274-041	0	TEST PROC PWR SUPPLY CPS
3	850274-061	0	INSPEC PROC PWR SUPPLY CPS
7	800045-005	1	ASSY,PCB PWR SUPP
8	800068-002	1	SUB-ASSY,XFMR PWR SUP 230V
9	860112-001	1	ASSY,WIRING HARNESS PWR SUPPLY
11	3306304	2	CAP AL 70KUF 40V /+75-10%
15	800051-001	1	FRAME POWER SUPPLY MODULE EC D2400
17	800067-001	1	PLT,BACK PWR SUP MODULE D2400
18	882047-001	2	CLAMP,CAPACITOR POWER SUPPLY MODULE
21	800182-001	1	CARD GUIDE MOD OF RICHCO PCG-3A
24	6005902	4	SCR 6-32X1/2 PHESPHSTPL
25	6018404	8	RIVET POP 1/8 DIA X .337 L AL/AL
26	6010701	4	WSHR #6 .156X.312X.032 FWSSPA
28	6030101	4	SCR 8-32X3/8 PHESPHSTZN
29	6005911	1	SCR 8-32X3/4 PHESPHSTPL
32	6010901	5	WSHR #8 .171X.375X.032 FWSSPA
33	6013201	8	WSHR LK #10 ITLWMDSSPA

TABLE 50. 850274-R01 - POWER SUPPLY ASSEMBLY 120V RF

Item No.	Part No.	Qty.	Description
	850274-R01		ASSY,PWR SUPPLY 120V,RF
DWG	850274		ASSY,PWR SUPPLY
1	850274-011	0	SCHEM PWR SUPP D2400 CPS
2	850274-041	0	TEST PROC PWR SUPPLY CPS
3	850274-061	0	INSPEC PROC PWR SUPPLY CPS
7	800045-005	1	ASSY,PCB PWR SUPP
8	800068-001	1	SUB-ASSY,XFMR PWR SUP 120VAC
9	860112-001	1	ASSY,WIRING HARNESS PWR SUPPLY
11	3306304	2	CAP AL 70KUF 40V /+75-10%
15	800051-001	1	FRAME POWER SUPPLY MODULE EC D2400
17	800067-001	1	PLT,BACK PWR SUP MODULE D2400
18	882047-001	2	CLAMP,CAPACITOR POWER SUPPLY MODULE
21	800182-001	1	CARD GUIDE MOD OF RICHCO PCG-3A
24	6005902	4	SCR 6-32X1/2 PHESPHSTPL
25	6018404	8	RIVET POP 1/8 DIA X .337 L AL/AL
26	6010701	4	WSHR #6 .156X.312X.032 FWSSPA
28	6030101	4	SCR 8-32X3/8 PHESPHSTZN
29	6005911	1	SCR 8-32X3/4 PHESPHSTPL
32	6010901	5	WSHR #8 .171X.375X.032 FWSSPA
33	6013201	8	WSHR LK #10 ITLWMDSSPA

TABLE 51. 881579 - PRMD WPPC ASSEMBLY 386

Item No.	Part No.	Qty.	Description
NO DWG	881579-001		ASSY,PGMD WPPC/TOKHEIM
	881579-002		ASSY,PGMD WPPC/BENNETT
	881579-003		ASSY,PGMD WPPC 02-04/WAYNE 386
	881579-004		ASSY, PGMD WPPC/TOKHEIM 386
	881579-005		ASSY,PGMD WPPC 02-08/WAYNE 386
	881579-006		ASSY,PGMD WPPC 04-010/WAYNE 386
	881579-R05		ASSY,PGMD WPPC 02-08/WAYNE 386,RF

TABLE 52. 870036 - PCB SERIAL INTERFACE ASSEMBLY 386

Item No.	Part No.	Qty.	Description
	870036-001		ASSY,PCB SERIAL INTERFACE CPS
	870036-002		ASSY,PCB SERIAL I/F CPS CMOS
	870036-003		ASSY,PCB SERIAL INTERFACE 386
	870036-R03		ASSY,PCB SERIAL INTERFACE 386,RF

TABLE 53. 881990 - PGMD WP 386 CPU ASSEMBLY

Item No.	Part No.	Qty.	Description
	881990-001		ASSY,PGMD WP 386 CPU-4MEG
	881990-002		ASSY,PGMD WP 386 CPU-5MEG
	881990-R01		ASSY,PGMD WP 386 CPU-4MEG,RF

TABLE 54. 880484 - PCB ASSEMBLY WP3 186 CPU GATEWAY

Item No.	Part No.	Qty.	Description
	880484-001		ASSY,PCB WP3 186 CPU

TABLE 55. 881447 - PGMD EXPANDABLE MEMORY GATEWAY

Item No.	Part No.	Qty.	Description
	881447-001		ASSY,PGMD EXPAND MEM GATEWAY REL. 3
	881447-002		ASSY,PGMD EXPAND MEM GATEWAY REL 4

TABLE 56. 870036 - PCB ASSEMBLY SERIAL INTERFACE GATEWAY

Item No.	Part No.	Qty.	Description
	870036-001		ASSY,PCB SERIAL INTERFACE CPS
	870036-002		ASSY,PCB SERIAL I/F CPS CMOS
	870036-003		ASSY,PCB SERIAL INTERFACE 386
	870036-R03		ASSY,PCB SERIAL INTERFACE 386,RF

TABLE 57. 881123 - MASTER SECURITY MODULE (MSM)

Item No.	Part No.	Qty.	Description
	881123-001		ASSY,MSM KEY INJECTED MOBIL
	881123-002		ASSY,MSM KEY INJECTED SUN
	881123-003		ASSY,MSM KEY INJECTED CROWN
	881123-004		ASSY,MSM KEY INJECTED SHELL
	881123-005		ASSY,MSM KEY INJECTED,D/SHMRCK
	881123-006		ASSY,MSM KEY INJECTED,GULF
	881123-007		ASSY,MSM KEY INJECTED MELON BYP
	881123-008		ASSY,MSM KEY INJECTED,TEXACO
	881123-009		ASSY,MSM KEY INJECTED,CITGO
	881123-010		ASSY,MSM KEY INJECTED,ARCO
	881123-011		ASSY,MSM KEY INJECTED,MERIT
	881123-012		ASSY,MSM KEY INJECTED,COAST
	881123-013		ASSY,MSM KY INJ TEXACO PUERTO RICO
	881123-014		ASSY,MSM KEY INJECTED,ALLIANCE
	881123-015		ASSY,MSM KEY INJECTED MH BYP
	881123-016		ASSY,MSM KEY INJECTION,CONCORD EFS
	881123-017		ASSY,MSM KEY INJECTED BJS
	881123-018		ASSY,MSM KEY INJ ALBERTSON'S BASE
	881123-019		ASSY,MSM KEY INJECTED SUN4
	881123-020		ASSY,MSM NON-INJECTED CANADA
	881123-021		ASSY,MSM KEY INJECTED RANDALLS
	881123-022		ASSY,MSM KEY INJECTED,KROGER'S
	881123-023		ASSY,MSM KEY INJECTED,SAFEWAY
	881123-024		ASSY,MSM KEY INJ,ALBERTSON'S CFG
	881123-025		ASSY,MSM KEY INJECTED,FINA
	881123-026		ASSY,MSM KEY INJ,GENERIC BUYPASS
	881123-027		ASSY,MSM KEY INJECTED BYP-HEARTLAND
	881123-028		ASSY,MSM KEY INJECTED,VISANET
	881123-029		ASSY,MSM KEY INJECTED,RACETRAC
	881123-030		ASSY,MSM KEY INJECTED,GIANT
	881123-031		ASSY,MSM KEY INJ CONCORD DIRECT
	881123-032		ASSY,MSM KEY INJECTED,CARSPA
	881123-033		ASSY,MSM,INJECTED,UNITED

TABLE 58. 880336 - PCB WP3 MEMORY EXPANSION

Item No.	Part No.	Qty.	Description
	880336-001		ASSY,PCB WP3 MEMORY EXPANSION