

TABLE 59. 880298 - WAYNE PLUS CASHIER TERMINAL

Item No.	Part No.	Qty.	Description
NO DWG	880298-001		KIT,WP CASHIER TERMINAL
1	860299-001	1	ASSY,CONSOLE WAYNE PLUS
2	870052-002	1	CASH DRAWER ASSY,5 FT. CABLE
3	886595-001	1	ASSY,RJ PRINTER 120/240 VAC
14	880069-001	1	KEYCAP KIT, RELEGEND WP 2
15	880069-XXX	0	KEYCAP KIT, DB WD RE-LEGEND WP
	880298-002		KIT,WP CASHIER TERMINAL MOBIL
1	860299-001	1	ASSY,CONSOLE WAYNE PLUS
2	870052-002	1	CASH DRAWER ASSY,5 FT. CABLE
3	886595-001	1	ASSY,RJ PRINTER 120/240 VAC
14	880069-002	1	KEYCAP KIT, WP3 MOBIL
15	880069-XXX	0	KEYCAP KIT, DB WD RE-LEGEND WP
	880298-003		KIT,WP CASHIER TERMINAL BP
1	860299-001	1	ASSY,CONSOLE WAYNE PLUS
2	870052-002	1	CASH DRAWER ASSY,5 FT. CABLE
3	886595-001	1	ASSY,RJ PRINTER 120/240 VAC
4	886384-001	1	CPK ASSY,MEMBRANE
14	880069-003	1	KEYCAP KIT, WP3 BP OIL
15	880069-XXX	0	KEYCAP KIT, DB WD RE-LEGEND WP
	880298-004		KIT,WP CASHIER TERMINAL SHELL
1	860299-001	1	ASSY,CONSOLE WAYNE PLUS
2	870052-002	1	CASH DRAWER ASSY,5 FT. CABLE
3	886595-001	1	ASSY,RJ PRINTER 120/240 VAC
14	880069-004	1	KEYCAP KIT, WP3 SHELL
15	880069-XXX	0	KEYCAP KIT, DB WD RE-LEGEND WP
	880298-005		KIT,WP CASHIER TERMINAL CHEVRON
1	860299-001	1	ASSY,CONSOLE WAYNE PLUS
2	870052-002	1	CASH DRAWER ASSY,5 FT. CABLE
3	886595-001	1	ASSY,RJ PRINTER 120/240 VAC
14	880939-001	1	KIT,KEYCAP RE-LEGEND CHEVRON REL 3
15	880939-XXX	0	KIT,KEYCAP RE-LEGEND CHEVRON WP3
	880298-006		KIT,WP CASHIER TERMINAL WP3 STD
1	860299-001	1	ASSY,CONSOLE WAYNE PLUS
2	870052-002	1	CASH DRAWER ASSY,5 FT. CABLE
3	886595-001	1	ASSY,RJ PRINTER 120/240 VAC
4	880069-005	1	KEYCAP KIT, WP3 STANDARD
5	880069-XXX	0	KEYCAP KIT, DB WD RE-LEGEND WP
	880298-007		KIT,WP CASHIER TERMINAL CHEV (DES)
1	860299-001	1	ASSY,CONSOLE WAYNE PLUS
2	870052-002	1	CASH DRAWER ASSY,5 FT. CABLE
3	886595-001	1	ASSY,RJ PRINTER 120/240 VAC

TABLE 59. 880298 - WAYNE PLUS CASHIER TERMINAL, continued

Item No.	Part No.	Qty.	Description
14	880939-001	1	KIT,KEYCAP RE-LEGEND CHEVRON REL 3
15	880939-XXX	0	KIT,KEYCAP RE-LEGEND CHEVRON WP3
16	881002-010	1	ASSY,CPK MEMB,DES,TRSM CHEVRON
	880298-008		KIT,WP CASHIER TERMINAL 240V
1	860299-001	1	ASSY,CONSOLE WAYNE PLUS
2	870052-002	1	CASH DRAWER ASSY,5 FT. CABLE
3	886595-001	1	ASSY,RJ PRINTER 120/240 VAC
14	880069-001	1	KEYCAP KIT, RELEGEND WP 2
15	880069-XXX	0	KEYCAP KIT, DB WD RE-LEGEND WP
	880298-009		KIT,WP CASHIER TERMINAL SUN
1	860299-001	1	ASSY,CONSOLE WAYNE PLUS
2	870052-002	1	CASH DRAWER ASSY,5 FT. CABLE
3	886595-001	3	ASSY,RJ PRINTER 120/240 VAC
14	882131-001	1	KIT,CONSOLE KEYCAP,SUN
16	882131-XXX	0	KIT,SUN KEYCAP RELEG
	880298-010		KIT,SECOND CONSOLE UPGD ETD SHELL
1	880069-008	1	KEYCAP KIT, SHELL WP3 FRANCH UPGD
2	849239-001/F00	1	CHIP SET POS WAYNE PLUS REV 56
	880298-R01		KIT,WP CASHIER TERMINAL,RF
1	860299-R01	1	CONSOLE ASSY,WAYNE PLUS,RF
2	870052-002	1	CASH DRAWER ASSY,5 FT. CABLE
3	880228-R01	1	ASSY,PRINTER RJ 115 VAC,RF
14	880069-001	1	KEYCAP KIT, RELEGEND WP 2
15	880069-XXX	0	KEYCAP KIT, DB WD RE-LEGEND WP
	880298-R02		KIT,WP CASHIER TERMINAL MOBIL,RF
1	860299-R01	1	CONSOLE ASSY,WAYNE PLUS,RF
2	870052-002	1	CASH DRAWER ASSY,5 FT. CABLE
3	880228-R01	1	ASSY,PRINTER RJ 115 VAC,RF
14	880069-002	1	KEYCAP KIT, WP3 MOBIL
15	880069-XXX	0	KEYCAP KIT, DB WD RE-LEGEND WP
	880298-R03		KIT,WP CASHIER TERMINAL,RF
1	860299-R01	1	CONSOLE ASSY,WAYNE PLUS,RF
2	870052-002	1	CASH DRAWER ASSY,5 FT. CABLE
3	880228-R01	1	ASSY,PRINTER RJ 115 VAC,RF
4	886384-001	1	CPK ASSY,MEMBRANE
14	880069-003	1	KEYCAP KIT, WP3 BP OIL
15	880069-XXX	0	KEYCAP KIT, DB WD RE-LEGEND WP
	880298-R05		KIT,WP CASHIER TERMINAL CHEVRON,RF
1	860299-R01	1	CONSOLE ASSY,WAYNE PLUS,RF
2	870052-002	1	CASH DRAWER ASSY,5 FT. CABLE
3	880228-R01	1	ASSY,PRINTER RJ 115 VAC,RF

TABLE 59. 880298 - WAYNE PLUS CASHIER TERMINAL, continued

Item No.	Part No.	Qty.	Description
14	880939-001	1	KIT,KEYCAP RE-LEGEND CHEVRON REL 3
15	880939-XXX	0	KIT,KEYCAP RE-LEGEND CHEVRON WP3
	880298-R09		KIT,WP CASHIER TERMINAL SUN,RF
1	860299-R01	1	CONSOLE ASSY,WAYNE PLUS,RF
	880298-R09		KIT,WP CASHIER TERMINAL SUN,RF
2	870052-002	1	CASH DRAWER ASSY,5 FT. CABLE
3	880228-R01	1	ASSY,PRINTER RJ 115 VAC,RF
14	882131-001	1	KIT,CONSOLE KEYCAP,SUN
16	882131-XXX	0	KIT,SUN KEYCAP RELEG

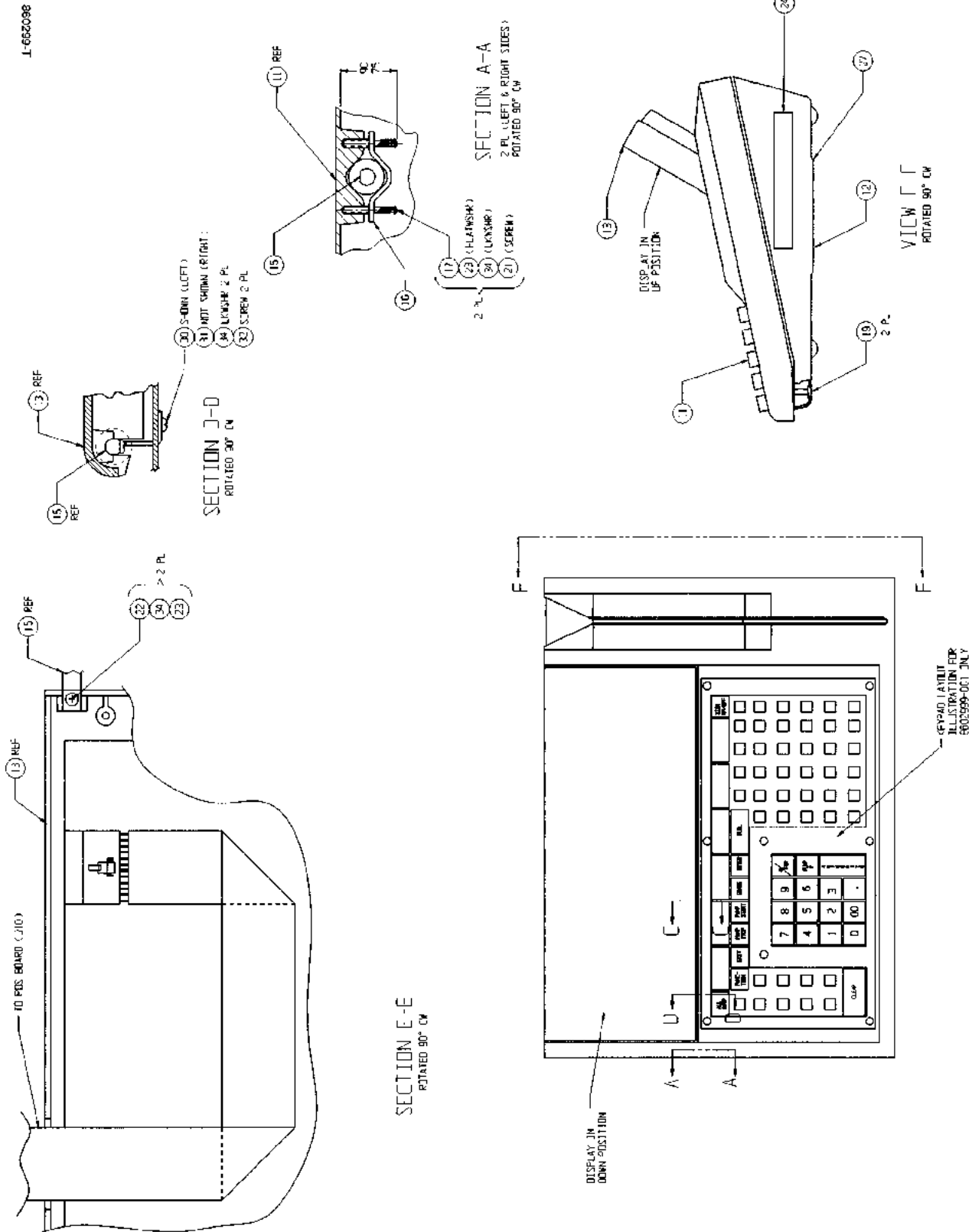


FIGURE 10. 860299 - CONSOLE ASSEMBLY WAYNE PLUS

TABLE 60. 860299-001 - CONSOLE ASSEMBLY WAYNE PLUS

Item No.	Part No.	Qty.	Description
	860299-001		ASSY,CONSOLE WAYNE PLUS
DWG	860299		ASSY,CONSOLE WAYNE PLUS
11	860255-001	1	ASSY,COVER
12	870092-001	1	ASSY,BASE CONSOLE
13	860259-001	1	ASSY,DISPLAY
15	860244-001	2	SHAFT
16	860245-001	2	CLAMP,SHAFT
17	860246-001	4	SPRING
19	6000806	2	SCR 8-32X3/4 PHMSPHSSPA
21	6000610	4	SCR 4-40X3/4 PHMSPHSSPA
22	6000606	2	SCR 4-40X7/16 PHMSPHSSPA
23	6010302	6	WSHR #4 .125X.250X.032 FWSSPA
24	880258-001	1	DECAL MODEL & SERIAL NO.
27	860487-001	1	DECAL CSA
30	870243-001	1	STOP,DISPLAY LEFT
31	870244-001	1	STOP,DISPLAY RIGHT
32	6000603	2	SCR 4-40X1/4 PHMSPHSSPA
34	6012901	8	WSHR LK #4 ITLWMDSSPA

TABLE 61. 860299-002 - CONSOLE ASSEMBLY WAYNE PLUS

Item No.	Part No.	Qty.	Description
	860299-002		ASSY,CONSOLE WAYNE PLUS
DWG	860299		ASSY,CONSOLE WAYNE PLUS
11	860255-001	1	ASSY,COVER
12	870092-001	1	ASSY,BASE CONSOLE
13	860259-001	1	ASSY,DISPLAY
15	860244-001	2	SHAFT
16	860245-001	2	CLAMP,SHAFT
17	860246-001	4	SPRING
19	6000806	2	SCR 8-32X3/4 PHMSPHSSPA
21	6000610	4	SCR 4-40X3/4 PHMSPHSSPA
22	6000405	2	SCR 2-56X7/16 PHMSPHSSPA
23	6010302	4	WSHR #4 .125X.250X.032 FWSSPA
24	860024-001	1	PLT,MODEL NO. & SERIAL NO.
25	6018401	1	RIVET POP 3/32 DIA X .250 L AL/AL
26	6018406	1	RIVET POP 3/32 DIA X .500 L AL/AL
30	870243-001	1	STOP,DISPLAY LEFT
31	870244-001	1	STOP,DISPLAY RIGHT
32	6000602	2	SCR 4-40X3/16 PHMSPHSSPA
33	5013101	1	TOOL KYCAP PULLER PLASTIC

TABLE 62. 860299-R01 - CONSOLE ASSEMBLY WAYNE PLUS RF

Item No.	Part No.	Qty.	Description
	860299-R01		CONSOLE ASSY,WAYNE PLUS,RF
DWG	860299		ASSY,CONSOLE WAYNE PLUS
11	860255-R01	1	ASSY,COVER,RF
12	870092-R01	1	ASSY,BASE CONSOLE,RF
13	860259-R01	1	ASSY,DISPLAY,RF
15	860244-001	2	SHAFT
16	860245-001	2	CLAMP,SHAFT
17	860246-001	4	SPRING
19	6000806	2	SCR 8-32X3/4 PHMSPHSSPA
21	6000610	4	SCR 4-40X3/4 PHMSPHSSPA
22	6000606	2	SCR 4-40X7/16 PHMSPHSSPA
23	6010302	6	WSHR #4 .125X.250X.032 FWSSPA
24	880258-001	1	DECAL MODEL & SERIAL NO.
27	860487-001	1	DECAL CSA
30	870243-001	1	STOP,DISPLAY LEFT
31	870244-001	1	STOP,DISPLAY RIGHT
32	6000603	2	SCR 4-40X1/4 PHMSPHSSPA
34	6012901	8	WSHR LK #4 ITLWMDSSPA
35	886572-001	1	LABEL,RECONDITIONED PARTS

TABLE 63. 860255-001 - COVER ASSEMBLY

Item No.	Part No.	Qty.	Description
NO DWG	860255-001		ASSY,COVER
6	000-129830-001	0.39	GASKET,PRESSURE SENSITIVE ADHESIVE
7	860255-061	0	INSPEC PROC COVER ASSY
11	880221-001	1	COVER,CONSOLE WAYNE PLUS
12	860436-001	1	PLT,COVER
14	860434-001	0	ASSY,PCB KYBD 84 KEY
16	881521-002	1	SHIELD,GROUND,1.890
18	4056501	1	KYBD 84 KEY WAYNE PLUS
19	6018412	2	RIVET POP 3/32 DIA X .250 L SS/ST
21	6000603	8	SCR 4-40X1/4 PHMSPHSSPA
22	6000604	2	SCR 4-40X5/16 PHMSPHSSPA
23	6010303	2	WSHR #4 .125X.312X.032 FWSSPA
24	6012901	2	WSHR LK #4 ITLWMDSSPA
26	6004701	8	SCR 4-40X1/4 BUCSHXSSBO
27	5021155	1	KYCAP "ALL STOP" RED-CAP/WHT-LEGEND
28	5021174	4	KYCAP "ARROW UP" FROST-GRA-CAP/BLK
29	5021175	2	KYCAP "ARROW UP" FROST-GRA-CAP/BLK
30	5021152	1	KYCAP "SIGN ON/OFF" BLU-GRA-CAP/WHT
32	5021093	1	KYCAP "FUNCTION" STD.GRA-CAP/WHT
33	5021085	1	KYCAP "EXIT" FROST-GRA-CAP/BLK-LGD
34	5021222	1	KYCAP"PUMP STOP,PREV PAGE" #48/WHT
35	5021220	1	KYCAP"PUMP START,NEXT PAGE" #45/WHT
36	5021133	1	KYCAP "PUMP #" DK-GRA-CAP/WHT-LGD
37	5021218	1	KYCAP "GRADE #,HOME" DK-GRA-CAP/WHT
38	5021088	1	KYCAP "FUEL" DK-GRA-CAP/WHT-LEGEND
50	5021017	1	KYCAP "7" STD.GRAY-CAP/WHT-LEGEND
51	5021018	1	KYCAP "8" STD.GRAY-CAP/WHT-LEGEND
52	5021021	1	KYCAP "9" STD.GRAY-CAP/WHT-LEGEND
53	5021087	1	KYCAP "@/FOR" FROST-GRA-CAP/BLK-LGD
59	5021010	1	KYCAP "4" STD.GRAY-CAP/WHT-LEGEND
60	5021013	1	KYCAP "5" STD.GRAY-CAP/WHT-LEGEND
61	5021014	1	KYCAP "6" STD.GRAY-CAP/WHT-LEGEND
62	5021078	1	KYCAP "ENTER" FROST-GRA-CAP/BLK-LGD
68	5021004	1	KYCAP "1" STD.GRAY-CAP/WHT-LEGEND
69	5021007	1	KYCAP "2" STD.GRAY-CAP/WHT-LEGEND
70	5021008	1	KYCAP "3" STD.GRAY-CAP/WHT-LEGEND
71	5021025	1	KYCAP "AUTHORIZE" DEEP-GRN-CAP/WHT
75	5021049	1	KYCAP "CLEAR" FROST-GRA-CAP/BLK-LGD
76	5021002	1	KYCAP "0" STD.GRA-CAP/WHT,(LGE "0")
77	5021001	1	KYCAP "00" STD.GRAY-CAP/WHT-LEGEND
78	5021177	1	KYCAP "." STD.GRAY-CAP/WHT-LEGEND
81	860295-001	1	ASSY,CABLE KYBD
85	5021223	1	KYCAP ARROW(LEFT) RCPT FEED #30/BLK
86	5021224	1	KYCAP ARROW(RIGHT)JRNL FEED #30/BLK
87	6013301	8	WSHR LK #4 SPLW__SS__STD
92	880736-001	1	ASSY,WP CARD READER

TABLE 64. 860255-002 - COVER ASSEMBLY WP 1

Item No.	Part No.	Qty.	Description
NO DWG	860255-002		ASSY,COVER WP1
6	000-129830-001	0.39	GASKET,PRESSURE SENSITIVE ADHESIVE
7	860255-061	0	INSPEC PROC COVER ASSY
11	880221-001	1	COVER,CONSOLE WAYNE PLUS
12	880680-001	1	PLT COVER KEYBOARD WP1
13	880701-001	1	PLT CARDREADER COVER
14	880681-001	0	ASSY,KEYBOARD 49 KEY WP1
16	881521-002	1	SHIELD,GROUND,1.890
19	6018412	2	RIVET POP 3/32 DIA X .250 L SS/ST
21	6000603	8	SCR 4-40X1/4 PHMSPHSSPA
22	6000604	2	SCR 4-40X5/16 PHMSPHSSPA
23	6010303	2	WSHR #4 .125X.312X.032 FWSSPA
24	6012901	2	WSHR LK #4 ITLWMDSSPA
26	6004701	8	SCR 4-40X1/4 BUCSHXSSBO
27	5021155	1	KYCAP "ALL STOP" RED-CAP/WHT-LEGEND
28	5021174	4	KYCAP "ARROW UP" FROST-GRA-CAP/BLK
29	5021175	2	KYCAP "ARROW UP" FROST-GRA-CAP/BLK
30	5021152	1	KYCAP "SIGN ON/OFF" BLU-GRA-CAP/WHT
31	5021230	1	KYCAP "TRANS CANCEL" BLU-GRA/WHT
32	5021093	1	KYCAP "FUNCTION" STD.GRA-CAP/WHT
33	5021085	1	KYCAP "EXIT" FROST-GRA-CAP/BLK-LGD
34	5021222	1	KYCAP"PUMP STOP,PREV PAGE" #48/WHT
35	5021220	1	KYCAP"PUMP START,NEXT PAGE" #45/WHT
36	5021133	1	KYCAP "PUMP #" DK-GRA-CAP/WHT-LGD
37	5021218	1	KYCAP "GRADE #,HOME" DK-GRA-CAP/WHT
38	5021088	1	KYCAP "FUEL" DK-GRA-CAP/WHT-LEGEND
43	5021231	1	KYCAP "SHIFT" AMBER-CAP/BLK-LGD
49	5021232	1	KYCAP "PRINT RECEIPT" FROST-GRA/WHT
50	5021017	1	KYCAP "7" STD.GRAY-CAP/WHT-LEGEND
51	5021018	1	KYCAP "8" STD.GRAY-CAP/WHT-LEGEND
52	5021021	1	KYCAP "9" STD.GRAY-CAP/WHT-LEGEND
53	5021087	1	KYCAP "@/FOR" FROST-GRA-CAP/BLK-LGD
57	5021233	1	KYCAP "CREDIT" MOD-BLU-CAP/WHT-LGD
59	5021010	1	KYCAP "4" STD.GRAY-CAP/WHT-LEGEND
60	5021013	1	KYCAP "5" STD.GRAY-CAP/WHT-LEGEND
61	5021014	1	KYCAP "6" STD.GRAY-CAP/WHT-LEGEND
62	5021078	1	KYCAP "ENTER" FROST-GRA-CAP/BLK-LGD
66	5021234	1	KYCAP "CASH" LT.GRA-CAP/BLK-LGD
68	5021004	1	KYCAP "1" STD.GRAY-CAP/WHT-LEGEND
69	5021007	1	KYCAP "2" STD.GRAY-CAP/WHT-LEGEND
70	5021008	1	KYCAP "3" STD.GRAY-CAP/WHT-LEGEND
71	5021025	1	KYCAP "AUTHORIZE" DEEP-GRN-CAP/WHT
75	5021049	1	KYCAP "CLEAR" FROST-GRA-CAP/BLK-LGD
76	5021002	1	KYCAP "0" STD.GRA-CAP/WHT,(LGE "0")
77	5021001	1	KYCAP "00" STD.GRAY-CAP/WHT-LEGEND
78	5021177	1	KYCAP "." STD.GRAY-CAP/WHT-LEGEND
81	860295-001	1	ASSY,CABLE KYBD
85	5021223	1	KYCAP ARROW(LEFT) RCPT FEED #30/BLK
86	5021224	1	KYCAP ARROW(RIGHT)JRNL FEED #30/BLK
87	6013301	8	WSHR LK #4 SPLW__SS__STD

TABLE 65. 860255-R01 - COVER ASSEMBLY RF

Item No.	Part No.	Qty.	Description
NO DWG	860255-R01		ASSY,COVER,RF
6	000-129830-001	0.39	GASKET,PRESSURE SENSITIVE ADHESIVE
7	860255-061	0	INSPEC PROC COVER ASSY
11	880221-R01	1	COVER,CONSOLE,WAYNE PLUS,RF
12	860436-001	1	PLT,COVER
14	860434-R01	1	ASSY,PCB KYBD 84 KEY,RF
16	881521-002	1	SHIELD,GROUND,1.890
18	4056501	0	KYBD 84 KEY WAYNE PLUS
19	6018412	2	RIVET POP 3/32 DIA X .250 L SS/ST
21	6000603	8	SCR 4-40X1/4 PHMSPHSSPA
22	6000604	2	SCR 4-40X5/16 PHMSPHSSPA
23	6010303	2	WSHR #4 .125X.312X.032 FWSSPA
24	6012901	2	WSHR LK #4 ITLWMDSSPA
26	6004701	8	SCR 4-40X1/4 BUCSHXSSBO
27	5021155	1	KYCAP "ALL STOP" RED-CAP/WHT-LEGEND
28	5021174	4	KYCAP "ARROW UP" FROST-GRA-CAP/BLK
29	5021175	2	KYCAP "ARROW UP" FROST-GRA-CAP/BLK
30	5021152	1	KYCAP "SIGN ON/OFF" BLU-GRA-CAP/WHT
32	5021093	1	KYCAP "FUNCTION" STD.GRA-CAP/WHT
33	5021085	1	KYCAP "EXIT" FROST-GRA-CAP/BLK-LGD
34	5021222	1	KYCAP"PUMP STOP,PREV PAGE" #48/WHT
35	5021220	1	KYCAP"PUMP START,NEXT PAGE" #45/WHT
36	5021133	1	KYCAP "PUMP #" DK-GRA-CAP/WHT-LGD
37	5021218	1	KYCAP "GRADE #,HOME" DK-GRA-CAP/WHT
38	5021088	1	KYCAP "FUEL" DK-GRA-CAP/WHT-LEGEND
50	5021017	1	KYCAP "7" STD.GRAY-CAP/WHT-LEGEND
51	5021018	1	KYCAP "8" STD.GRAY-CAP/WHT-LEGEND
52	5021021	1	KYCAP "9" STD.GRAY-CAP/WHT-LEGEND
53	5021087	1	KYCAP "@/FOR" FROST-GRA-CAP/BLK-LGD
59	5021010	1	KYCAP "4" STD.GRAY-CAP/WHT-LEGEND
60	5021013	1	KYCAP "5" STD.GRAY-CAP/WHT-LEGEND
61	5021014	1	KYCAP "6" STD.GRAY-CAP/WHT-LEGEND
62	5021078	1	KYCAP "ENTER" FROST-GRA-CAP/BLK-LGD
68	5021004	1	KYCAP "1" STD.GRAY-CAP/WHT-LEGEND
69	5021007	1	KYCAP "2" STD.GRAY-CAP/WHT-LEGEND
70	5021008	1	KYCAP "3" STD.GRAY-CAP/WHT-LEGEND
71	5021025	1	KYCAP "AUTHORIZE" DEEP-GRN-CAP/WHT
75	5021049	1	KYCAP "CLEAR" FROST-GRA-CAP/BLK-LGD
76	5021002	1	KYCAP "0" STD.GRA-CAP/WHT,(LGE "0")
77	5021001	1	KYCAP "00" STD.GRAY-CAP/WHT-LEGEND
78	5021177	1	KYCAP "." STD.GRAY-CAP/WHT-LEGEND
81	860295-001	1	ASSY,CABLE KYBD
85	5021223	1	KYCAP ARROW(LEFT) RCPT FEED #30/BLK
86	5021224	1	KYCAP ARROW(RIGHT)JRNL FEED #30/BLK
87	6013301	8	WSHR LK #4 SPLW__SS__STD
92	880736-001	1	ASSY,WP CARD READER

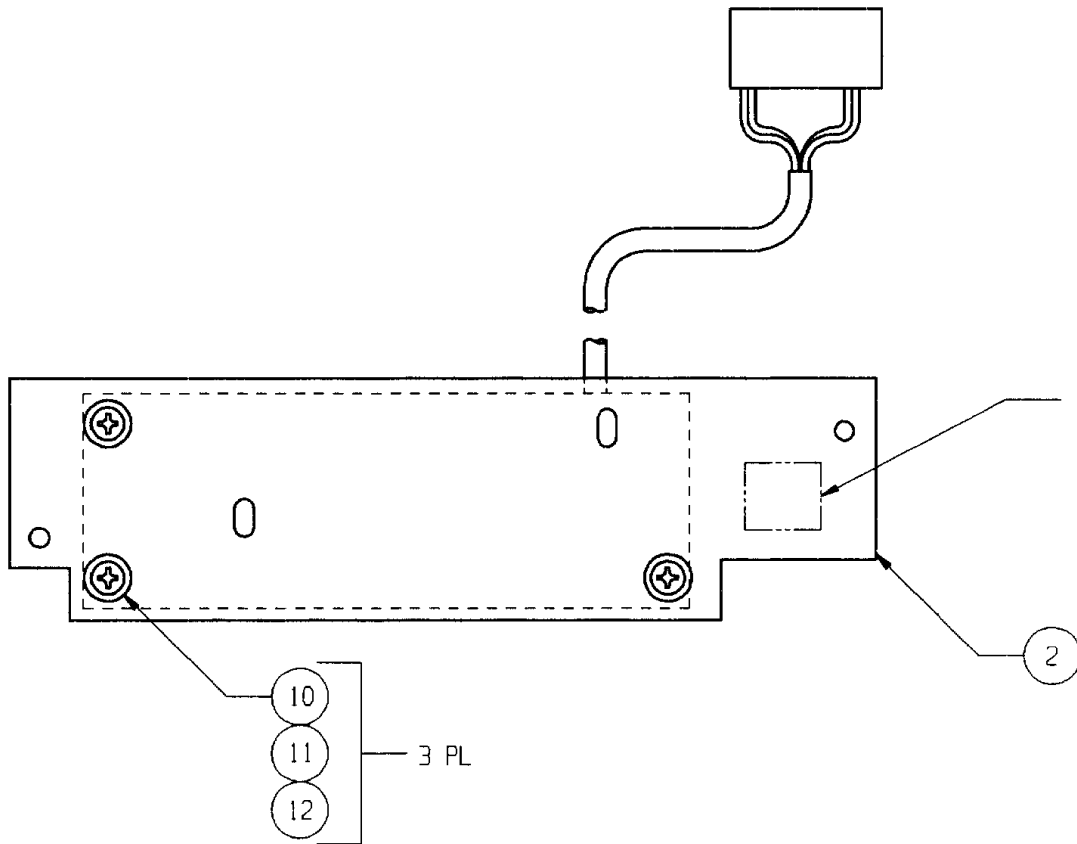
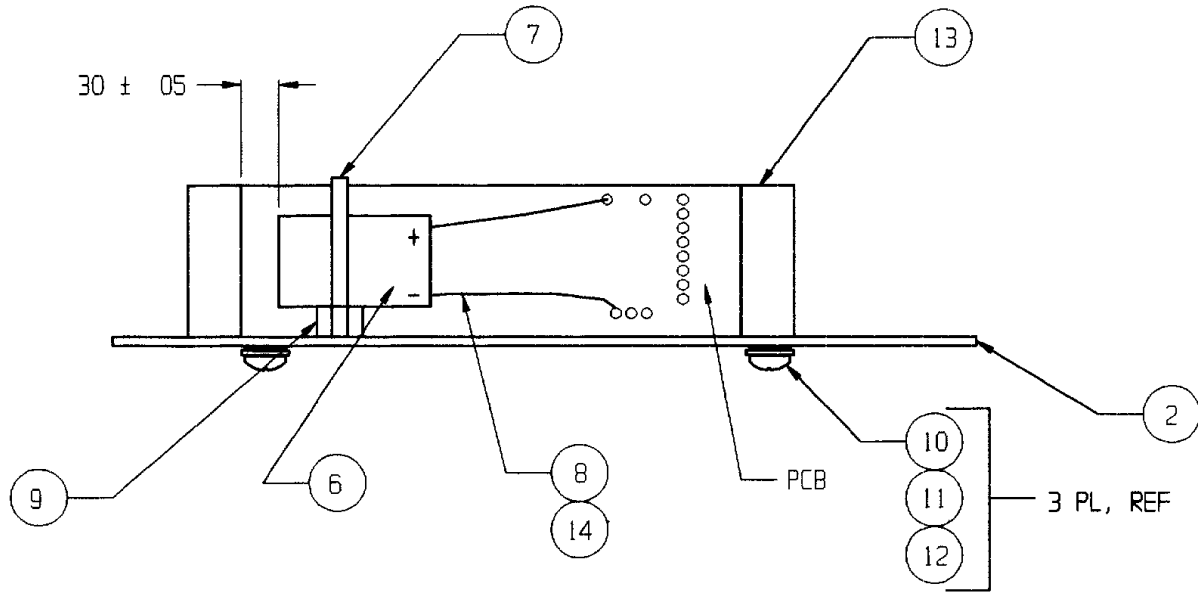


FIGURE 11. 880736 - WP CARD READER ASSEMBLY

TABLE 66. 880736-001 - WP CARD READER ASSEMBLY

Item No.	Part No.	Qty.	Description
	880736-001		ASSY,WP CARD READER
DWG	880736		ASSY,WP CARD READER
1	4053802	1	CARD READER MAGNETIC
2	880420-001	1	PLT,CARD READER WP2
3	6000603	3	SCR 4-40X1/4 PHMSPHSSPA
4	6010303	3	WSHR #4 .125X.312X.032 FWSSPA
5	6012901	3	WSHR LK #4 ITLWMDSSPA
6	3311305	1	CAP AL 2200UF 16V /+50-10%
7	5008601	1	TIE WRAP 4"L 3/4"-MAX BUNDLE
8	4026601	0.208	TBG TFL NATURAL-CLR 22AWG
10	6005703	0	SCR M3X8 CHMSSLSSPA
11	6012601	0	WSHR LK M3 ETLW__SS__ STD
12	6011702	0	WSHR M3 FWSSPA
13	4053801	0	CARD READER MAGNETIC
14	4016402	0.208	WIRE BUSS 22AWG TINNED COPPER
15	4026402	0.083333	TBG SHRINK SUP-ID .750 BLK

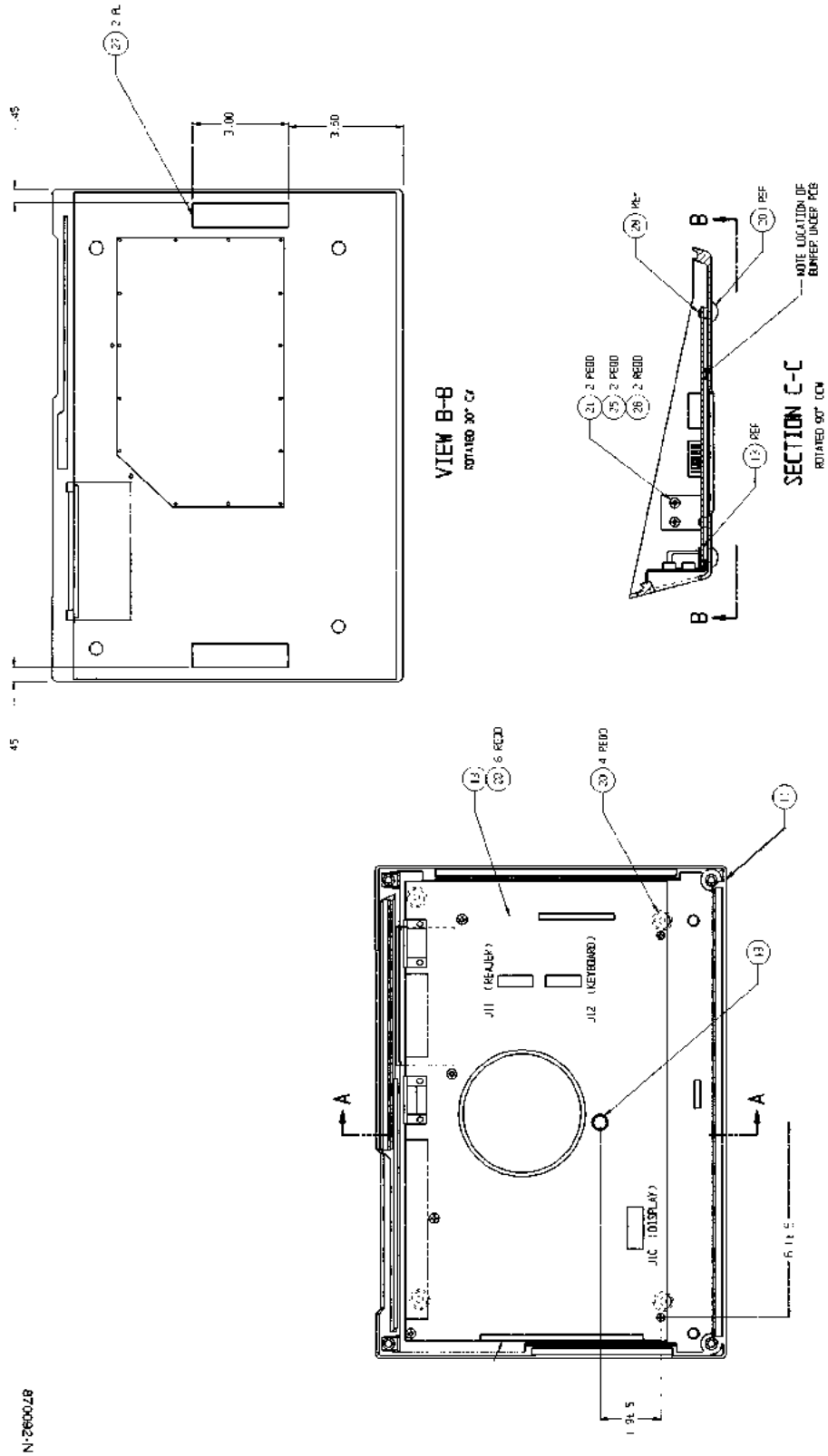


FIGURE 12. 870092 - BASE CONSOLE ASSEMBLY

TABLE 67. 870092-001 - BASE CONSOLE ASSEMBLY

Item No.	Part No.	Qty.	Description
	870092-001		ASSY,BASE CONSOLE
DWG	870092		ASSY,BASE CONSOLE
11	880214-001	1	BASE CONSOLE WAYNE PLUS
13	879058-001/239	1	ASSY,POS/PRGM
19	5056102	1	BUMPER BUMPON 3M .50X.14 SJ-5012
20	5009701	4	BUMPER RUBBER (FOR CSL BASE)
21	6000604	2	SCR 4-40X5/16 PHMSPHSSPA
25	6010303	2	WSHR #4 .125X.312X.032 FWSSPA
26	6012901	2	WSHR LK #4 ITLWMDSSPA
27	5018501	0.5	FASTENER DUAL LOCK TYPE 400 1" WIDE
28	6000603	6	SCR 4-40X1/4 PHMSPHSSPA

TABLE 68. 870092-R01 - BASE CONSOLE ASSEMBLY

Item No.	Part No.	Qty.	Description
	870092-R01		ASSY,BASE CONSOLE,RF
DWG	870092		ASSY,BASE CONSOLE
11	880214-R01	1	BASE CONSOLE WAYNE PLUS,RF
13	879058-R01/239	1	ASSY,POS/PRGM,RF
19	5056102	1	BUMPER BUMPON 3M .50X.14 SJ-5012
20	5009701	4	BUMPER RUBBER (FOR CSL BASE)
21	6000604	2	SCR 4-40X5/16 PHMSPHSSPA
25	6010303	2	WSHR #4 .125X.312X.032 FWSSPA
26	6012901	2	WSHR LK #4 ITLWMDSSPA
27	5018501	0.5	FASTENER DUAL LOCK TYPE 400 1" WIDE
28	6000603	6	SCR 4-40X1/4 PHMSPHSSPA

TABLE 69. 881002 - CUSTOMER PIN KEYPAD ASSEMBLY

Item No.	Part No.	Qty.	Description
	881002-001		ASSY,CPK CPS/WP DES TRSM CHEVRON
3	880003-002	1	CPK ASSY,CPS/WP DES TRSM
5	860189-001	1	LABEL EPROM "WAYNE" .5X1.25"
	881002-002		ASSY,CPK CPS/WP DES MOBIL
3	880003-002	1	CPK ASSY,CPS/WP DES TRSM
5	860189-001	1	LABEL EPROM "WAYNE" .5X1.25"
	881002-003		ASSY,CPK CPS/WP DES TRSM CROWN
3	880003-002	1	CPK ASSY,CPS/WP DES TRSM
5	860189-001	1	LABEL EPROM "WAYNE" .5X1.25"
	881002-004		ASSY,CPK CPS/WP DES TRSM SUN
3	880003-002	1	CPK ASSY,CPS/WP DES TRSM
5	860189-001	1	LABEL EPROM "WAYNE" .5X1.25"
	881002-005		ASSY,CPK CPS/WP DES SHELL
3	880003-002	1	CPK ASSY,CPS/WP DES TRSM
5	860189-001	1	LABEL EPROM "WAYNE" .5X1.25"
	881002-006		ASSY,CPK CPS/WP DES TRSM,D/SHMRCK
1	880003-002	1	CPK ASSY,CPS/WP DES TRSM
2	860189-001	1	LABEL EPROM "WAYNE" .5X1.25"
	881002-007		ASSY,CPK CPS/WP DES TRSM,GULF
1	880003-002	1	CPK ASSY,CPS/WP DES TRSM
2	860189-001	1	LABEL EPROM "WAYNE" .5X1.25"
	881002-008		ASSY,CPK CPS/WP DES TRSM,BYP GNRC
1	880003-002	1	CPK ASSY,CPS/WP DES TRSM
2	860189-001	1	LABEL EPROM "WAYNE" .5X1.25"
	881002-009		ASSY,CPK MEMB DES TRSM,CITGO
3	886384-001	1	CPK ASSY,MEMBRANE
5	880944-001	1	LABEL INJECTION CODE
	881002-010		ASSY,CPK MEMB,DES,TRSM CHEVRON
3	886384-002	1	CPK ASSY,MEMBRANE (15FT CABLE)
5	880944-001	1	LABEL INJECTION CODE
	881002-011		ASSY,CPK CPS/WP DES,TRSM,ARCO
3	880003-002	1	CPK ASSY,CPS/WP DES TRSM
5	880944-001	1	LABEL INJECTION CODE
	881002-011		ASSY,CPK CPS/WP DES,TRSM,ARCO
	881002-012		ASSY,CPK CPS/WP DES,TRSM,MERIT
3	880003-002	1	CPK ASSY,CPS/WP DES TRSM
5	880944-001	1	LABEL INJECTION CODE
	881002-013		ASSY,CPK CPS/WP DES,TRSM,COAST
3	880003-002	1	CPK ASSY,CPS/WP DES TRSM
5	880944-001	1	LABEL INJECTION CODE
	881002-014		ASSY,CPK MEM DES SHELL
3	886384-001	1	CPK ASSY,MEMBRANE
5	880944-001	1	LABEL INJECTION CODE
	881002-015		ASSY,CPK MEM DES MOBIL
3	886384-001	1	CPK ASSY,MEMBRANE
5	880944-001	1	LABEL INJECTION CODE

TABLE 69. 881002 - CUSTOMER PIN KEYPAD ASSEMBLY, continued

Item No.	Part No.	Qty.	Description
	881002-016		ASSY,CPK MEM TRSM CROWN
3	886384-001	1	CPK ASSY,MEMBRANE
5	880944-001	1	LABEL INJECTION CODE
	881002-017		ASSY,CPK MEM DES TRSM SUN
3	886384-001	1	CPK ASSY,MEMBRANE
5	880944-001	1	LABEL INJECTION CODE
	881002-018		ASSY,CPK MEM DES D/SHMRCK
3	886384-001	1	CPK ASSY,MEMBRANE
5	880944-001	1	LABEL INJECTION CODE
	881002-019		ASSY,CPK MEM DES TRSM GULF
3	886384-001	1	CPK ASSY,MEMBRANE
5	880944-001	1	LABEL INJECTION CODE
	881002-020		ASSY,CPK MEM DES TRSM BYP GNRC
3	886384-001	1	CPK ASSY,MEMBRANE
5	880944-001	1	LABEL INJECTION CODE
	881002-021		ASSY,CPK MEM TRSM ARCO
3	886384-001	1	CPK ASSY,MEMBRANE
5	880944-001	1	LABEL INJECTION CODE
	881002-022		ASSY,CPK MEM TRSM MERIT
3	886384-001	1	CPK ASSY,MEMBRANE
5	880944-001	1	LABEL INJECTION CODE
	881002-023		ASSY,CPK MEM DES TRSM COAST
3	886384-001	1	CPK ASSY,MEMBRANE
5	880944-001	1	LABEL INJECTION CODE
	881002-025		ASSY,CPK MEM DES TRSM,ALLIANCE
3	886384-001	1	CPK ASSY,MEMBRANE
5	880944-001	1	LABEL INJECTION CODE
	881002-026		ASSY,CPK MEMB DES TRSM,SAFEWAY
3	886384-001	1	CPK ASSY,MEMBRANE
5	880944-001	1	LABEL INJECTION CODE
	881002-027		ASSY,CPK MEM DES,TRSM,ALBERT,CFG
3	886384-001	1	CPK ASSY,MEMBRANE
5	880944-001	1	LABEL INJECTION CODE

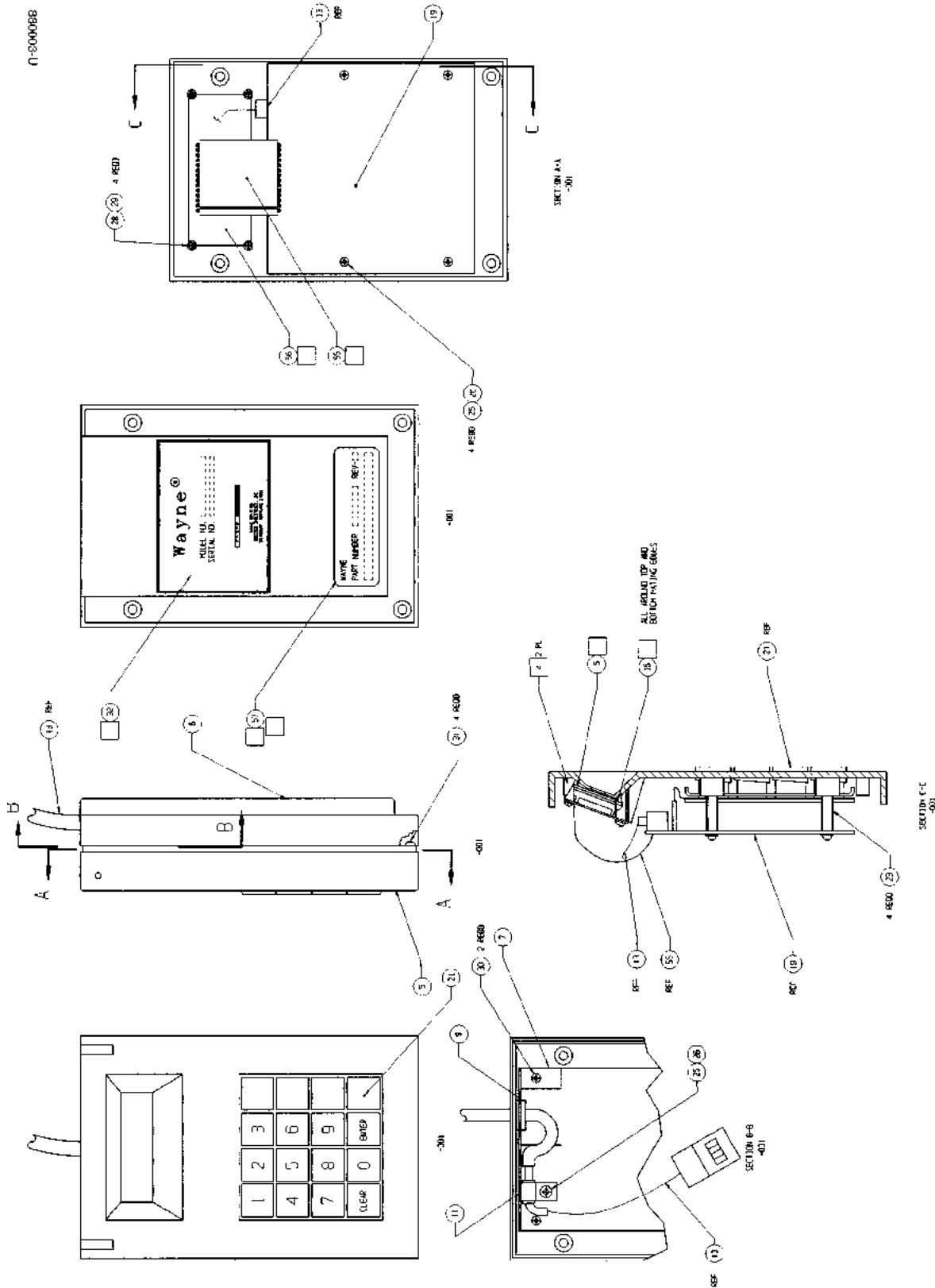


FIGURE 13. 880003 - CUSTOMER PIN KEYPAD ASSEMBLY CPS/WP

TABLE 70. 880003-001 - CUSTOMER PIN KEYPAD ASSEMBLY CPS/WP

Item No.	Part No.	Qty.	Description
	880003-001		CPK ASSY,CPS/WP
DWG	880003		CPK ASSY,CPS/WP
2	880003-041	0	TEST PROC CPK CPS/WP ASSEMBLY
3	880003-061	0	INSPEC PROC CPK CPS/WP
5	880271-001	1	CASE, TOP CPK
6	880270-001	1	CASE, BOTTOM CPK
7	881765-001	1	BRACKET, TRSM/CPK CABLE
9	5007302	1	BUSHING STRAIN RELIEF
11	5006802	1	CLAMP, CABLE STEEL 1/8"RAD
13	4057701	1	CABLE CPK RETRACTABLE
15	860107-001	1	LENS, CPK
16	000-916202-000	1	SEALANT ADHESIVE SILASTIC
19	881616-002	1	ASSY, PCB, CPK, NON-DES
21	870376-001	1	ASSY, KEYPAD CPK
23	5000901	4	STDF M/F .687X.250 6-32 RND SSPA
25	6000703	5	SCR 6-32X1/4 PHMSPHSSPA
26	6013001	5	WSHR LK #6 ITLWMDSSPA
28	6029301	4	SCR 2X3/8 PHPTPHSTZN PLASCREW
29	6010101	4	WSHR #2 .093X.250X.031 FWNYUN
30	6029505	2	SCR 6X1/4 PHPTPHSTZN PLASCREW
31	6029501	4	SCR 6X3/8 PHPTPHSTZN PLASCREW
32	860025-001	1	DECAL PATENT & SERIAL NO.
55	881611-001	1	ASSY, CABLE, FLEX, CPK DSPL 3 IN
56	4059804	1	DSPL LCD MODULE 16 CH X 2 LINES
57	882807-001	1	LABEL, SOFTWARE DATA
58	883332-024	1	LABEL, THT, 1.0"X1.437", B-427

TABLE 71. 880003-002 - CUSTOMER PIN KEYPAD CPS/WP DES TR SM

Item No.	Part No.	Qty.	Description
	880003-002		CPK ASSY,CPS/WP DES TRSM
DWG	880003		CPK ASSY,CPS/WP
2	880003-041	0	TEST PROC CPK CPS/WP ASSEMBLY
3	880003-061	0	INSPEC PROC CPK CPS/WP
5	880271-001	1	CASE, TOP CPK
6	880270-001	1	CASE, BOTTOM CPK
7	881765-001	1	BRACKET, TRSM/CPK CABLE
9	5007302	1	BUSHING STRAIN RELIEF
11	5006802	1	CLAMP, CABLE STEEL 1/8"RAD
13	4057701	1	CABLE CPK RETRACTABLE
15	860107-001	1	LENS, CPK
16	000-916202-000	1	SEALANT ADHESIVE SILASTIC
17	881617-001	1	ASSY, KEYPAD 4X4 DES W/DISPLAY 2
24	6000711	4	SCR 6-32X7/8 PHMSPHSSPA
25	6000703	1	SCR 6-32X1/4 PHMSPHSSPA
26	6013001	5	WSHR LK #6 ITLWMDSSPA
28	6029301	4	SCR 2X3/8 PHPTPHSTZN PLASCREW
29	6010101	4	WSHR #2 .093X.250X.031 FWNYUN
30	6029505	2	SCR 6X1/4 PHPTPHSTZN PLASCREW
31	6029501	4	SCR 6X3/8 PHPTPHSTZN PLASCREW
32	860025-001	1	DECAL PATENT & SERIAL NO.
40	5015001	1	KYCAP "QZ 1" DK-GRA-CAP/WHT-LEGEND
41	5015002	1	KYCAP "ABC 2" DK-GRA-CAP/WHT-LEGEND
42	5015003	1	KYCAP "DEF 3" DK-GRA-CAP/WHT-LEGEND
43	5015004	1	KYCAP "GHI 4" DK-GRA-CAP/WHT-LEGEND
44	5015005	1	KYCAP "JKL 5" DK-GRA-CAP/WHT-LEGEND
45	5015006	1	KYCAP "MNO 6" DK-GRA-CAP/WHT-LEGEND
46	5015007	1	KYCAP "PRS 7" DK-GRA-CAP/WHT-LEGEND
47	5015008	1	KYCAP "TUV 8" DK-GRA-CAP/WHT-LEGEND
48	5015009	1	KYCAP "WXY 9" DK-GRA-CAP/WHT-LEGEND
49	5015010	1	KYCAP "0" DK-GRA-CAP/WHT-LEGEND
50	5015012	1	KYCAP "CLEAR" LT.GRA-CAP/BLK-LEGEND
51	5015013	1	KYCAP "ENTER" LT.GRA-CAP/BLK-LEGEND
52	5015026	4	KYCAP BLANK LT.GRA-CAP/NO LEGEND
55	881611-001	1	ASSY, CABLE, FLEX, CPK DSPL 3 IN
56	4059804	1	DSPL LCD MODULE 16 CH X 2 LINES
57	882807-001	1	LABEL, SOFTWARE DATA
58	883332-024	1	LABEL, THT, 1.0"X1.437", B-427

TABLE 72. 870052 - CASH DRAWER & CABLE ASSEMBLY

Item No.	Part No.	Qty.	Description
NO DWG	870052-001		ASSY,CASH DRAWER 2 FT. CABLE
	870052-002		CASH DRAWER ASSY,5 FT. CABLE
	870052-003		ASSY,CASH DRAWER 8 FT. CABLE
	870052-004		ASSY,CASH DRAWER 12 FT. CABLE
	870052-004		ASSY,CASH DRAWER 12 FT. CABLE
	870052-005		ASSY,CASH DRAWER 16 FT. CABLE
	870052-006		ASSY,CASH DRAWER 20 FT. CABLE
	870052-007		ASSY,CASH DRAWER 24 FT. CABLE
	5053201		TILL DRAWER, REMOVABLE

TABLE 73. 886384-001 - CUSTOMER PIN KEYPAD MEMBRANE

Item No.	Part No.	Qty.	Description
	886384-001		CPK ASSY, MEMBRANE
DWG	886384		CPK ASSY, MEMBRANE
5	886254-001	1	CPK ENCLOSURE, FRONT
6	886254-002	1	CPK ENCLOSURE, BACK
15	886348-001	1	LENS, CPK, FLAT DISPLAY
17	883856-001	1	KYPD/TRSM ASSY, DETACHABLE, CPK
18	883861-001	1	CABLE ASSY, TRSM FLEX TO MODULAR
19	883933-001	1	CABLE, CPK RJ12 RETRACTILE 17 IN
20	883957-001	1	ADAPTER ASSY, CPK DB9 TO RJ12
25	6000702	5	SCR 6-32X3/16 PHMSPHSSPA
26	6013001	5	WSHR LK #6 ITLWMDSSPA
28	6029301	4	SCR 2X3/8 PHPTPHSTZN PLASCREW
31	6029502	4	SCR 6X1/2 PHPTPHSTZN PLASCREW
32	860025-001	1	DECAL PATENT & SERIAL NO.
56	4059804	1	DSPL LCD MODULE 16 CH X 2 LINES
57	882807-001	1	LABEL, SOFTWARE DATA
58	886285-002	1	GASKET, CPK, LENS
59	886285-003	1	GASKET, CPK, KEYPAD
60	886285-001	1	GASKET, CPK, REAR DOOR

TABLE 74. 886384-002 - CUSTOMER PIN KEYPAD MEMBRANE 15 FT CABLE

Item No.	Part No.	Qty.	Description
	886384-002		CPK ASSY, MEMBRANE (15FT CABLE)
DWG	886384		CPK ASSY, MEMBRANE
5	886254-001	1	CPK ENCLOSURE, FRONT
6	886254-002	1	CPK ENCLOSURE, BACK
15	886348-001	1	LENS, CPK, FLAT DISPLAY
17	883856-001	1	KYPD/TRSM ASSY, DETACHABLE, CPK
18	883861-001	1	CABLE ASSY, TRSM FLEX TO MODULAR
19	883933-002	1	CABLE, CPK RJ12 RETRACTILE 40 IN
20	883957-001	1	ADAPTER ASSY, CPK DB9 TO RJ12
25	6000702	5	SCR 6-32X3/16 PHMSPHSSPA
26	6013001	5	WSHR LK #6 ITLWMDSSPA
28	6029301	4	SCR 2X3/8 PHPTPHSTZN PLASCREW
31	6029502	4	SCR 6X1/2 PHPTPHSTZN PLASCREW
32	860025-001	1	DECAL PATENT & SERIAL NO.
56	4059804	1	DSPL LCD MODULE 16 CH X 2 LINES
57	882807-001	1	LABEL, SOFTWARE DATA
58	886285-002	1	GASKET, CPK, LENS
59	886285-003	1	GASKET, CPK, KEYPAD
60	886285-001	1	GASKET, CPK, REAR DOOR

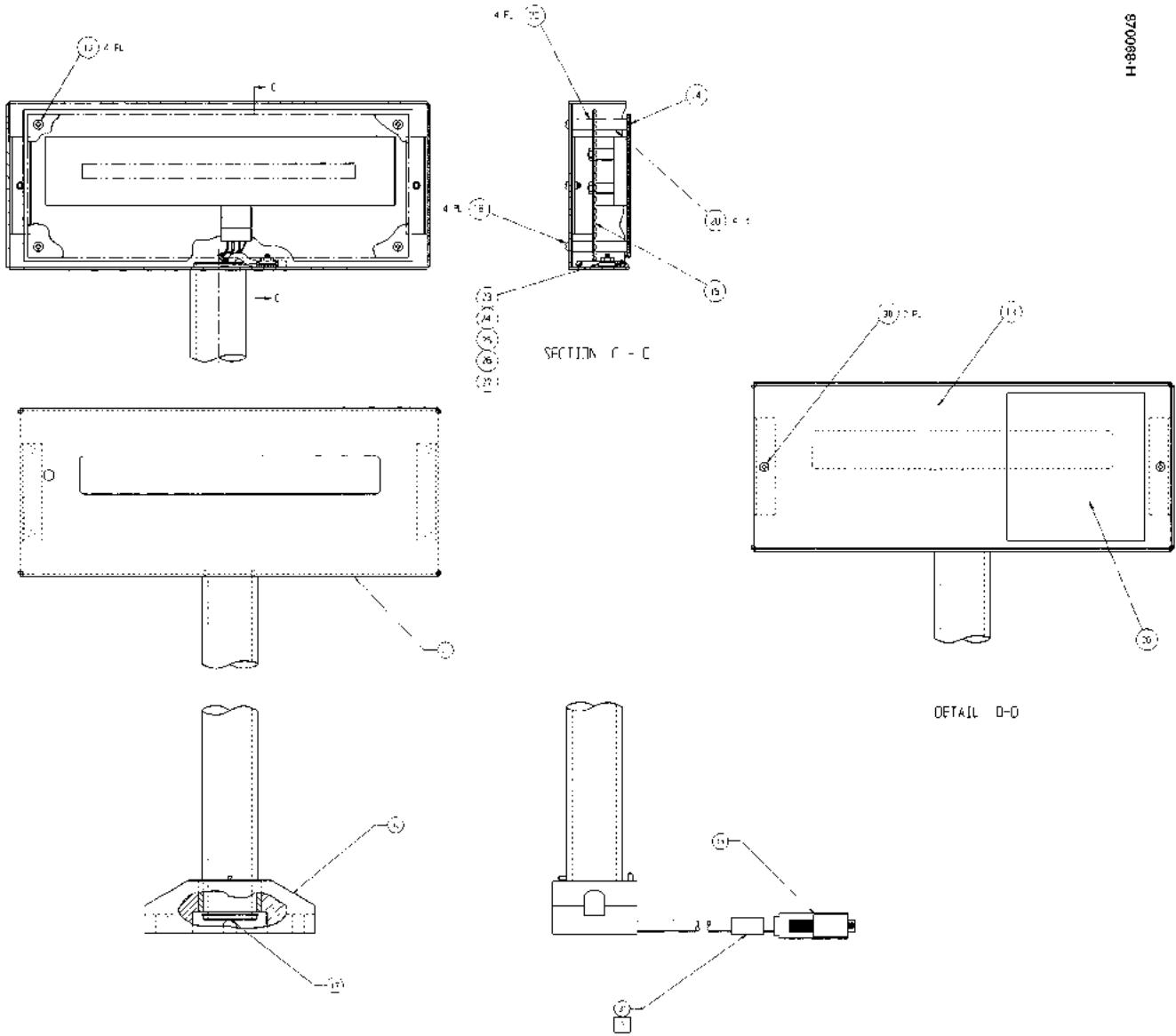


FIGURE 15. 870068 - CUSTOMER DISPLAY ASSEMBLY WAYNE PLUS

TABLE 75. 870068-001 - CUSTOMER DISPLAY ASSEMBLY 4 FT CABLE

Item No.	Part No.	Qty.	Description
	870068-001		CUSTOMER DISPLAY ASSY,4FT. CABLE
DWG	870068		CUSTOMER DISPLAY ASSY
6	870068-041	0	TEST PROC CDU
8	870068-061	0	INSPEC PROC CPU
11	870063-001	1	ENCL DSPL CDU
12	870066-001	1	BASE CDU
13	870065-001	1	COVER CDU
14	880040-001	1	LENS,CUSTOMER DISPLAY
15	870128-001	1	PCB ASSY,DSPL CDU
16	870070-001	1	ASSY,CABLE CDU 4FT CABLE
17	5011701	1	RING RETAINING EXT 1.250X.050
18	6000603	4	SCR 4-40X1/4 PHMSPHSSPA
19	6001606	4	SCR 4-40X3/16 FLMSPHSSPA
20	5011801	4	STDF .750X.250 4-40 RND BRZN
22	5011901	4	STDF M/F .500X.250 4-40 RND BRZN
23	6008202	1	NUT 6-32 HXNTSPSSPA
24	6010702	1	WSHR #6 .149X.375X.032 FWSSPA
25	6013402	1	WSHR LK #6 SPLWMDSSPA
26	5006801	1	CLAMP,CABLE 3/16 DIAMETER MAX
27	6002203	1	SCR 6-32X3/8 FOMSPHSSPA
28	860487-001	1	DECAL CSA
30	6005901	2	SCR 6-32X3/8 PHESPHSTPL
31	883332-024	1	LABEL,THT,1.0"X1.437",B-427

TABLE 76. 870068-002 - CUSTOMER DISPLAY ASSEMBLY 6 FT CABLE

Item No.	Part No.	Qty.	Description
	870068-002		CUSTOMER DISPLAY ASSY,6FT. CABLE
DWG	870068		CUSTOMER DISPLAY ASSY
6	870068-041	0	TEST PROC CDU
8	870068-061	0	INSPEC PROC CPU
11	870063-001	1	ENCL DSPL CDU
12	870066-001	1	BASE CDU
13	870065-001	1	COVER CDU
14	880040-001	1	LENS,CUSTOMER DISPLAY
15	870128-001	1	PCB ASSY,DSPL CDU
16	870070-002	1	ASSY,CABLE CDU 6FT CABLE
17	5011701	1	RING RETAINING EXT 1.250X.050
18	6000603	4	SCR 4-40X1/4 PHMSPHSSPA
19	6001606	4	SCR 4-40X3/16 FLMSPHSSPA
20	5011801	4	STDF .750X.250 4-40 RND BRZN
22	5011901	4	STDF M/F .500X.250 4-40 RND BRZN
23	6008202	1	NUT 6-32 HXNTSPSSPA
24	6010702	1	WSHR #6 .149X.375X.032 FWSSPA
25	6013402	1	WSHR LK #6 SPLWMDSSPA
26	5006801	1	CLAMP,CABLE 3/16 DIAMETER MAX
27	6002203	1	SCR 6-32X3/8 FOMSPHSSPA
28	860487-001	1	DECAL CSA
30	6005901	2	SCR 6-32X3/8 PHESPHSTPL
31	883332-024	1	LABEL,THT,1.0"X1.437",B-427

TABLE 77. 870068-003 - CUSTOMER DISPLAY ASSEMBLY 10 FT CABLE

Item No.	Part No.	Qty.	Description
	870068-003		CUSTOMER DISPLAY ASSY,10FT. CABLE
DWG	870068		CUSTOMER DISPLAY ASSY
6	870068-041	0	TEST PROC CDU
8	870068-061	0	INSPEC PROC CPU
11	870063-001	1	ENCL DSPL CDU
12	870066-001	1	BASE CDU
13	870065-001	1	COVER CDU
14	880040-001	1	LENS,CUSTOMER DISPLAY
15	870128-001	1	PCB ASSY,DSPL CDU
16	870070-003	1	ASSY,CABLE CDU 10FT CABLE
17	5011701	1	RING RETAINING EXT 1.250X.050
18	6000603	4	SCR 4-40X1/4 PHMSPHSSPA
19	6001606	4	SCR 4-40X3/16 FLMSPHSSPA
20	5011801	4	STDF .750X.250 4-40 RND BRZN
22	5011901	4	STDF M/F .500X.250 4-40 RND BRZN
23	6008202	1	NUT 6-32 HXNTSPSSPA
24	6010702	1	WSHR #6 .149X.375X.032 FWSSPA
25	6013402	1	WSHR LK #6 SPLWMDSSPA
26	5006801	1	CLAMP,CABLE 3/16 DIAMETER MAX
27	6002203	1	SCR 6-32X3/8 FOMSPHSSPA
28	860487-001	1	DECAL CSA
30	6005901	2	SCR 6-32X3/8 PHESPHSTPL
31	883332-024	1	LABEL,THT,1.0"X1.437",B-427

TABLE 78. 870068-004 - CUSTOMER DISPLAY ASSEMBLY 20 FT CABLE

Item No.	Part No.	Qty.	Description
	870068-004		CUSTOMER DISPLAY ASSY,20FT. CABLE
DWG	870068		CUSTOMER DISPLAY ASSY
6	870068-041	0	TEST PROC CDU
8	870068-061	0	INSPEC PROC CPU
11	870063-001	1	ENCL DSPL CDU
12	870066-001	1	BASE CDU
13	870065-001	1	COVER CDU
14	880040-001	1	LENS,CUSTOMER DISPLAY
15	870128-001	1	PCB ASSY,DSPL CDU
16	870070-004	1	ASSY,CABLE CDU 20FT CABLE
17	5011701	1	RING RETAINING EXT 1.250X.050
18	6000603	4	SCR 4-40X1/4 PHMSPHSSPA
19	6001606	4	SCR 4-40X3/16 FLMSPHSSPA
20	5011801	4	STDF .750X.250 4-40 RND BRZN
22	5011901	4	STDF M/F .500X.250 4-40 RND BRZN
23	6008202	1	NUT 6-32 HXNTSPSSPA
24	6010702	1	WSHR #6 .149X.375X.032 FWSSPA
25	6013402	1	WSHR LK #6 SPLWMDSSPA
26	5006801	1	CLAMP,CABLE 3/16 DIAMETER MAX
27	6002203	1	SCR 6-32X3/8 FOMSPHSSPA
28	860487-001	1	DECAL CSA
30	6005901	2	SCR 6-32X3/8 PHESPHSTPL
31	883332-024	1	LABEL,THT,1.0"X1.437",B-427
	6000603	3	SCR 4-40X1/4 PHMSPHSSPA

TABLE 79. 880228-001 - PRINTER ASSEMBLY RJ 115 VAC

Item No.	Part No.	Qty.	Description
NO DWG	880228-001		ASSY,PRINTER RJ 115VAC
1	4053901	1	PRINTER RECEIPT JOURNAL WP/RJ
2	882029-001	1	LABEL,MAINTENANCE INSTR,OLIVETTI
3	880254-001	0	LABEL WAYNE PLUS RECEIPT JOURNAL
5	7003201	2	PAPER ROLL,OLIVETTI PRT
6	882295-001	1	LABEL,CAUTION,JRP
7	881985-001	1	TEAR BAR,RETROFITTABLE

TABLE 80. 880228-001 - PRINTER ASSEMBLY RJ 240 VAC

Item No.	Part No.	Qty.	Description
NO DWG	880228-002		ASSY,PRINTER RJ 240VAC
1	4053903	1	PRINTER RECEIPT JOURNAL WP/RJ 240V
2	882029-001	1	LABEL,MAINTENANCE INSTR,OLIVETTI
3	880254-001	0	LABEL WAYNE PLUS RECEIPT JOURNAL
5	7003201	2	PAPER ROLL,OLIVETTI PRT
6	882295-001	1	LABEL,CAUTION,JRP

TABLE 81. 880228-001 - PRINTER ASSEMBLY RJ 115 VAC RF

Item No.	Part No.	Qty.	Description
NO DWG	880228-R01		ASSY,PRINTER RJ 115 VAC,RF
1	4053901	1	PRINTER RECEIPT JOURNAL WP/RJ
2	882029-001	1	LABEL,MAINTENANCE INSTR,OLIVETTI
3	880254-001	0	LABEL WAYNE PLUS RECEIPT JOURNAL
5	7003201	2	PAPER ROLL,OLIVETTI PRT
6	882295-001	1	LABEL,CAUTION,JRP
7	881985-001	1	TEAR BAR,RETROFITTABLE
8	886572-001	1	LABEL,RECONDITIONED PARTS

TABLE 82. 850264 - JOURNAL RECIEPT PRINTER ASSEMBLY

Item No.	Part No.	Qty.	Description
NO DWG	850264-001		ASSY,JOURNAL/RECEIPT PRINTER
	850264-002		ASSY,JOURNAL/RECEIPT PRINTER 230V

TABLE 83. 886595-001 - RJ PRINTER ASSEMBLY 120V

Item No.	Part No.	Qty.	Description
NO DWG	886595-001		ASSY,RJ PRINTER 120/240 VAC
1	886608-001	1	PRINTER,RECEIPT JOURNAL
2	886594-001	1	ASSY,OLIVETTI PRINTER COVER
3	886584-001	1	PAPER GUARD,OLIVETTI PRINTER
4	886660-001	1	ASSY,OLIVETTI CONVERTER CABLE
5	000-920391-000	1	MNL,WP RECEIPT/JRNL PTR (PR4)

TABLE 84. 886595-002 - RJ PRINTER ASSEMBLY 240V

Item No.	Part No.	Qty.	Description
NO DWG	886595-002		ASSY,RJ PRINTER 240VAC
1	886609-001	1	PRINTER,RECEIPT JOURNAL 240VAC
2	886594-001	1	ASSY,OLIVETTI PRINTER COVER
3	886584-001	1	PAPER GUARD,OLIVETTI PRINTER
4	886660-001	1	ASSY,OLIVETTI CONVERTER CABLE

