

TABLE 43. 881002 - CPK ASSEMBLIES

Item No.	Part No.	Qty.	Description
	881002-002		ASSY,CPK CPS/WP DES MOBIL
3	880003-002	1	CPK ASSY,CPS/WP DES TRSM
5	860189-001	1	LABEL EPROM "WAYNE" .5X1.25"
	881002-009		ASSY,CPK MEMB DES TRSM,CITGO
3	886384-001	1	CPK ASSY, MEMBRANE
5	880944-001	1	LABEL INJECTION CODE
	881002-010		ASSY,CPK MEMB,DES,TRSM CHEVRON
3	883684-002	1	CPK ASSY, MEMBRANE 15FT
5	880944-001	1	LABEL INJECTION CODE
	881002-014		ASSY,CPK MEM DES SHELL
3	886384-001	1	CPK ASSY, MEMBRANE
5	880944-001	1	LABEL INJECTION CODE
	881002-015		ASSY,CPK MEM DES MOBIL
3	886384-001	1	CPK ASSY, MEMBRANE
5	880944-001	1	LABEL INJECTION CODE
	881002-017		ASSY,CPK MEM DES TRSM SUN
3	886384-001	1	CPK ASSY,CPS/WP MEMBRANE DES
5	880944-001	1	LABEL INJECTION CODE
	881002-018		ASSY,CPK MEM DES D/SHMRCK
3	886384-001	1	CPK ASSY,CPS/WP MEMBRANE DES
5	880944-001	1	LABEL INJECTION CODE
	881002-020		ASSY,CPK MEM DES TRSM BYP GNRC
3	886384-001	1	CPK ASSY,CPS/WP MEMBRANE DES
5	880944-001	1	LABEL INJECTION CODE
	881002-023		ASSY,CPK MEM DES TRSM COAST
3	886384-001	1	CPK ASSY,CPS/WP MEMBRANE DES
5	880944-001	1	LABEL INJECTION CODE
	881002-025		ASSY,CPK MEM DES TRSM,ALLIANCE
3	886384-001	1	CPK ASSY,CPS/WP MEMBRANE DES
5	880944-001	1	LABEL INJECTION CODE
	881002-028		ASSY,CPK MEM DES TRSM, CLARK
3	886384-001	1	CPK ASSY,CPS/WP MEMBRANE DES
5	880944-001	1	LABEL INJECTION CODE

TABLE 44. 880003-001 - CPK ASSEMBLY CPS/WP

Item No.	Part No.	Qty.	Description
	880003-001		CPK ASSY,CPS/WP
DWG	880003-S1-XXX		CPK ASSY,CPS/WP
2	880003-041	0	TEST PROC CPK CPS/WP ASSEMBLY
3	880003-061	0	INSPEC PROC CPK CPS/WP
5	880271-001	1	CASE, TOP CPK
6	880270-001	1	CASE, BOTTOM CPK
7	881765-001	1	BRACKET, TRSM/CPK CABLE
9	5007302	1	BUSHING STRAIN RELIEF
11	5006802	1	CLAMP, CABLE STEEL 1/8" RAD
13	4057701	1	CABLE CPK RETRACTABLE
15	860107-001	1	LENS, CPK
16	000-916202-000	1	SEALANT ADHESIVE SILASTIC
19	881616-002	1	ASSY, PCB, CPK, NON-DES
21	870376-001	1	ASSY, KEYPAD CPK
23	5000901	4	STDF M/F .687X.250 6-32 RND SSPA
25	6000703	5	SCR 6-32X1/4 PHMSPHSSPA
26	6013001	5	WSHR LK #6 ITLWMDSSPA
28	6029301	4	SCR 2X3/8 PHPTPHSTZN PLASCREW
29	6010101	4	WSHR #2 .093X.250X.031 FWNYUN
30	6029505	2	SCR 6X1/4 PHPTPHSTZN PLASCREW
31	6029501	4	SCR 6X3/8 PHPTPHSTZN PLASCREW
32	860025-001	1	DECAL PATENT & SERIAL NO.
55	881611-001	1	ASSY, CABLE, FLEX, CPK DSPL 3 IN
56	4059804	1	DSPL LCD MODULE 16 CH X 2 LINES
57	882807-001	1	LABEL, SOFTWARE DATA
58	883332-024	1	LABEL, THT, 1.0" X 1.437", B-427

TABLE 45. 880003-002 - CPK ASSEMBLY CP SWP DES TRSM

Item No.	Part No.	Qty.	Description
	880003-002		CPK ASSY,CPS/WP DES TRSM
DWG	880003-S2-XXX		CPK ASSY,CPS/WP
2	880003-041	0	TEST PROC CPK CPS/WP ASSEMBLY
3	880003-061	0	INSPEC PROC CPK CPS/WP
5	880271-001	1	CASE, TOP CPK
6	880270-001	1	CASE, BOTTOM CPK
7	881765-001	1	BRACKET, TRSM/CPK CABLE
9	5007302	1	BUSHING STRAIN RELIEF
11	5006802	1	CLAMP, CABLE STEEL 1/8"RAD
13	4057701	1	CABLE CPK RETRACTABLE
15	860107-001	1	LENS, CPK
16	000-916202-000	1	SEALANT ADHESIVE SILASTIC
17	881617-001	1	ASSY, KEYPAD 4X4 DES W/DISPLAY 2
24	6000711	4	SCR 6-32X7/8 PHMSPHSSPA
25	6000703	1	SCR 6-32X1/4 PHMSPHSSPA
26	6013001	5	WSHR LK #6 ITLWMDSSPA
28	6029301	4	SCR 2X3/8 PHPTPHSTZN PLASCREW
29	6010101	4	WSHR #2 .093X.250X.031 FWNYUN
30	6029505	2	SCR 6X1/4 PHPTPHSTZN PLASCREW
31	6029501	4	SCR 6X3/8 PHPTPHSTZN PLASCREW
32	860025-001	1	DECAL PATENT & SERIAL NO.
40	5015001	1	KYCAP "QZ 1" DK-GRA-CAP/WHT-LEGEND
41	5015002	1	KYCAP "ABC 2" DK-GRA-CAP/WHT-LEGEND
42	5015003	1	KYCAP "DEF 3" DK-GRA-CAP/WHT-LEGEND
43	5015004	1	KYCAP "GHI 4" DK-GRA-CAP/WHT-LEGEND
44	5015005	1	KYCAP "JKL 5" DK-GRA-CAP/WHT-LEGEND
45	5015006	1	KYCAP "MNO 6" DK-GRA-CAP/WHT-LEGEND
46	5015007	1	KYCAP "PRS 7" DK-GRA-CAP/WHT-LEGEND
47	5015008	1	KYCAP "TUV 8" DK-GRA-CAP/WHT-LEGEND
48	5015009	1	KYCAP "WXY 9" DK-GRA-CAP/WHT-LEGEND
49	5015010	1	KYCAP "0" DK-GRA-CAP/WHT-LEGEND
50	5015012	1	KYCAP "CLEAR" LT.GRA-CAP/BLK-LEGEND
51	5015013	1	KYCAP "ENTER" LT.GRA-CAP/BLK-LEGEND
52	5015026	4	KYCAP BLANK LT.GRA-CAP/NO LEGEND
55	881611-001	1	ASSY, CABLE, FLEX, CPK DSPL 3 IN
56	4059804	1	DSPL LCD MODULE 16 CH X 2 LINES
57	882807-001	1	LABEL, SOFTWARE DATA
58	883332-024	1	LABEL, THT, 1.0"X1.437", B-427

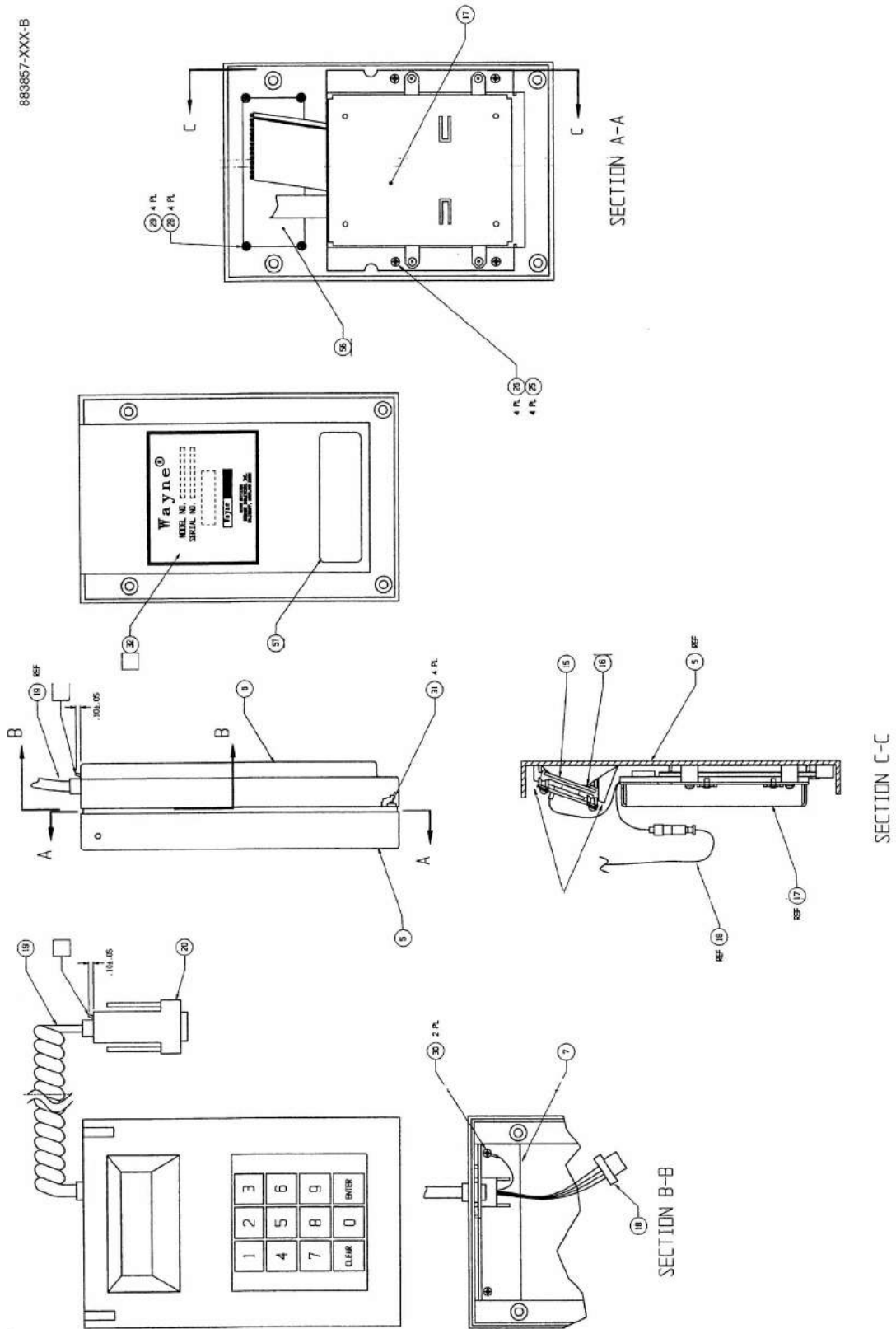


FIGURE 8. 883857-XXX - CPK ASSEMBLY CPS/WP MEMBRANE DES

TABLE 46. 883857-001 - CPK ASSEMBLY CPS/WP MEMBRANE DES

Item No.	Part No.	Qty.	Description
	883857-001		CPK ASSY,CPS/WP MEMBRANE DES
DWG	883857-XXX		CPK ASSY,CPS/WP MEMBRANE DES
5	880271-001	1	CASE, TOP CPK
6	880270-001	1	CASE, BOTTOM CPK
7	883862-001	1	BRACKET, CPK MODULAR JACK
15	860107-001	1	LENS, CPK
16	000-916202-000	1	SEALANT ADHESIVE SILASTIC
17	883856-001	1	KYPD/TRSM ASSY, DETACHABLE, CPK
18	883861-001	1	CABLE ASSY, TRSM FLEX TO MODULAR
19	883933-001	1	CABLE, CPK RJ12 RETRACTILE 17 IN
20	883957-001	1	ADAPTER ASSY, CPK DB9 TO RJ12
25	6000703	4	SCR 6-32X1/4 PHMSPHSSPA
26	6013001	4	WSHR LK #6 ITLWMDSSPA
28	6029301	4	SCR 2X3/8 PHPTPHSTZN PLASCREW
29	6010101	4	WSHR #2 .093X.250X.031 FWNYUN
30	6029505	2	SCR 6X1/4 PHPTPHSTZN PLASCREW
31	6029501	4	SCR 6X3/8 PHPTPHSTZN PLASCREW
32	860025-001	1	DECAL PATENT & SERIAL NO.
56	4059804	1	DSPL LCD MODULE 16 CH X 2 LINES
57	882807-001	1	LABEL, SOFTWARE DATA