

**FIGURE 9. 883600-XXX - NUCLEUS DISTRIBUTION CABINET W/MSM**

**TABLE 47. 883600-001 - NUCLEUS DISTRIBUTION CABINET W/MSM**

Item No.	Part No.	Qty.	Description
	883600-001		NUCLEUS DIST CABINET W/MSM
DWG	883600-XXX		NUCLEUS DIST CABINET W/MSM
1	883555-001	1	EXPANSION CABINET,NUCLEUS
3	882003-001	1	PCB ASSY,SIGNAL DISTRIBUTION
4	883545-001	1	PCB ASSY,IPT I/O PRI DIST
5	882585-001	1	PCB ASSY,SYS,ELEC CVRSN,CL/485 US
9	881123-004	1	ASSY,MSM KEY INJECTED SHELL
10	882405-002	1	CABLE ASSY,MSM 14"
11	882057-001	2	MOUNTING PLATE,MSM
12	6001802	4	SCR 6-32X3/8 FLMSPHSSPA
15	6005906	12	SCR 6-32X5/16 PHESPHSTPL
16	883608-001	0	WIRING DIAGRAM,NUCLEUS DIST
17	883488-003	1	CABLE ASSY,I/O DIST,16"
18	6005910	4	SCR 6-32X1/4 PHESPHSTPL
20	860025-001	1	DECAL PATENT & SERIAL NO.
21	882910-001	1	TOOL,TERMINAL BLOCK,WAGO
22	881877-002	1	CABLE ASSY,ELEC I/F PRI-PWR DIST11"
23	880099-051	0	SPEC,WAYNE ID AND SERIAL NUMBER
24	5001801	2	STDF M/F .187X.187 4-40 HEX SSUN
25	6012901	2	WSHR LK #4 ITLWMDSSPA
26	883815-002	1	CABLE ASSY,PR11/0 DIST,16

**TABLE 48. 883600-002 - NUCLEUS DISTRIBUTION CABINET W/MSM**

Item No.	Part No.	Qty.	Description
	883600-002		NUCLEUS DIST CABINET W/MS
DWG	883600-XXX		NUCLEUS DIST CABINET W/MSM
1	883555-001	1	EXPANSION CABINET,NUCLEUS
3	882003-001	1	PCB ASSY,SIGNAL DISTRIBUT
4	883545-001	1	PCB ASSY,IPT I/O PRI DIST
5	882585-001	2	PCB ASSY,SYS,ELEC CVRSN,C
9	881123-004	1	ASSY,MSM INJ,SHELL
10	882405-002	1	CABLE ASSY,MSM 14"
11	882057-001	2	MOUNTING PLATE,MSM
12	6001802	4	SCR 6-32X3/8 FLMSPHSSPA
15	6005906	20	SCR 6-32X5/16 PHESPHSTPL
16	884076-001		WIRING DIAGRAM,NUCLEUS DI
17	883488-003	1	CABLE ASSY,I/O DIST,16"
20	860025-001	1	DECAL PATENT & SERIAL NO.
21	882910-001	1	TOOL,TERMINAL BLOCK,WAGO
22	881877-002	1	CABLE ASSY,ELEC I/F PRI-P
23	880099-051		SPEC,WAYNE ID AND SERIAL
24	5001801	2	STDF M/F .187X.187 4-40 H
25	6012901	2	WSHR LK #4 ITLWMDSSPA
26	883815-002	1	CABLE ASSY,PR11/0 DIST,16
29	883488-002	1	CABLE ASSY,I/O DIST,13"
30	881877-001	1	CABLE ASSY,ELEC I/F PRI-P

**TABLE 49. 883600-003 - NUCLEUS DISTRIBUTION CABINET W/MSM, 16FP**

Item No.	Part No.	Qty.	Description
	883600-003		NUC NT DIST CAB W/MSM,16F
DWG	883600-XXX		NUCLEUS DIST CABINET W/MSM
1	887265-001	1	EXPANSION CABINET,NUCLEUS
3	882003-001	1	PCB ASSY,SIGNAL DISTRIBUT
5	882585-001	1	PCB ASSY,SYS,ELEC CVRSN,C
9	881123-001	1	ASSY,MSM INJ,MOBIL
10	882405-002	1	CABLE ASSY,MSM 14"
11	882057-001	2	MOUNTING PLATE,MSM
12	6001802	4	SCR 6-32X3/8 FLMSPHSSPA
15	6005906	10	SCR 6-32X5/16 PHESPHSTPL
16	883608-001		WIRING DIAGRAM,NUCLEUS DI
17	883488-003	1	CABLE ASSY,I/O DIST,16"
18	6005910	4	SCR 6-32X1/4 PHESPHSTPL
20	860025-001	1	DECAL PATENT & SERIAL NO.
21	882910-001	1	TOOL,TERMINAL BLOCK,WAGO
22	881877-002	1	CABLE ASSY,ELEC I/F PRI-P
23	880099-051		SPEC,WAYNE ID AND SERIAL
24	5001801	2	STDF M/F .187X.187 4-40 H
25	6012901	2	WSHR LK #4 ITLWMDSSPA
26	883815-002	1	CABLE ASSY,PR11/0 DIST,16

**TABLE 50. 883600-004 - NUCLEUS DISTRIBUTION CABINET W/MSM, 24FP**

Item No.	Part No.	Qty.	Description
	883600-004		NUC NT DIST CAB W/MSM,24F
DWG	883600-XXX		NUCLEUS DIST CABINET W/MSM
1	887265-001	1	EXPANSION CABINET,NUCLEUS
3	882003-001	1	PCB ASSY,SIGNAL DISTRIBUT
5	882585-001	2	PCB ASSY,SYS,ELEC CVRSN,C
9	881123-001	1	ASSY,MSM INJ,MOBIL
10	882405-002	1	CABLE ASSY,MSM 14"
11	882057-001	2	MOUNTING PLATE,MSM
12	6001802	4	SCR 6-32X3/8 FLMSPHSSPA
15	6005906	14	SCR 6-32X5/16 PHESPHSTPL
16	884076-001		WIRING DIAGRAM,NUCLEUS DI
17	883488-003	1	CABLE ASSY,I/O DIST,16"
18	6005910	4	SCR 6-32X1/4 PHESPHSTPL
20	860025-001	1	DECAL PATENT & SERIAL NO.
21	882910-001	1	TOOL,TERMINAL BLOCK,WAGO
22	881877-002	1	CABLE ASSY,ELEC I/F PRI-P
23	880099-051		SPEC,WAYNE ID AND SERIAL
24	5001801	2	STDF M/F .187X.187 4-40 H
25	6012901	2	WSHR LK #4 ITLWMDSSPA
26	883815-002	1	CABLE ASSY,PR11/0 DIST,16
29	883488-002	1	CABLE ASSY,I/O DIST,13"
30	881877-001	1	CABLE ASSY,ELEC I/F PRI-P

**TABLE 51. 883600-005 - NUCLEUS DISTRIBUTION CABINET FC**

Item No.	Part No.	Qty.	Description
	883600-005		NUC DIST CAB,FC
DWG	883600-XXX		NUCLEUS DIST CABINET W/MSM
1	887265-001	1	EXPANSION CABINET,NUCLEUS
3	882003-001	1	PCB ASSY,SIGNAL DISTRIBUT
5	882585-001	1	PCB ASSY,SYS,ELEC CVRSN,C
6	881872-001	1	ASSY,PCB ELEC I/F,RS232
15	6005906	14	SCR 6-32X5/16 PHEPHSTPL
16	887601-001		WIRING DIAGRAM,NUCLEUS DI
17	887600-002	1	CABLE ASSY PRI DIST,FC,W/
18	6005910	4	SCR 6-32X1/4 PHEPHSTPL
20	860025-001	1	DECAL PATENT & SERIAL NO.
21	882910-001	1	TOOL,TERMINAL BLOCK,WAGO
22	881877-002	1	CABLE ASSY,ELEC I/F PRI-P
23	880099-051		SPEC,WAYNE ID AND SERIAL
24	5001801	2	STDF M/F .187X.187 4-40 H
25	6012901	2	WSHR LK #4 ITLWMDSSPA
26	887598-001	1	CABLE ASSY PRI I/O DIST,F
30	881877-001	1	CABLE ASSY,ELEC I/F PRI-P

**TABLE 52. 883600-006 - NUCLEUS DISTRIBUTION CABINET FD W/485**

Item No.	Part No.	Qty.	Description
	883600-006		NUC DIST CAB,FD,W/485
DWG	883600-XXX		NUCLEUS DIST CABINET W/MSM
1	887265-001	1	EXPANSION CABINET,NUCLEUS
3	882003-001	1	PCB ASSY,SIGNAL DISTRIBUT
4	883545-001	1	PCB ASSY,IPT I/O PRI DIST
5	882585-001	1	PCB ASSY,SYS,ELEC CVRSN,C
6	881872-001	1	ASSY,PCB ELEC I/F,RS232
15	6005906	14	SCR 6-32X5/16 PHEPHSTPL
16	887601-002		WIRING DIAG NUC DIST,FC,W
17	887600-002	1	CABLE ASSY PRI DIST,FC,W/
18	6005910	10	SCR 6-32X1/4 PHEPHSTPL
20	860025-001	1	DECAL PATENT & SERIAL NO.
21	882910-001	1	TOOL,TERMINAL BLOCK,WAGO
22	881877-002	1	CABLE ASSY,ELEC I/F PRI-P
23	880099-051		SPEC,WAYNE ID AND SERIAL
24	5001801	4	STDF M/F .187X.187 4-40 H
25	6012901	2	WSHR LK #4 ITLWMDSSPA
26	887598-001	1	CABLE ASSY PRI I/O DIST,F
30	881877-001	1	CABLE ASSY,ELEC I/F PRI-P
31	883815-002	1	CABLE ASSY,PR11/O DIST,16

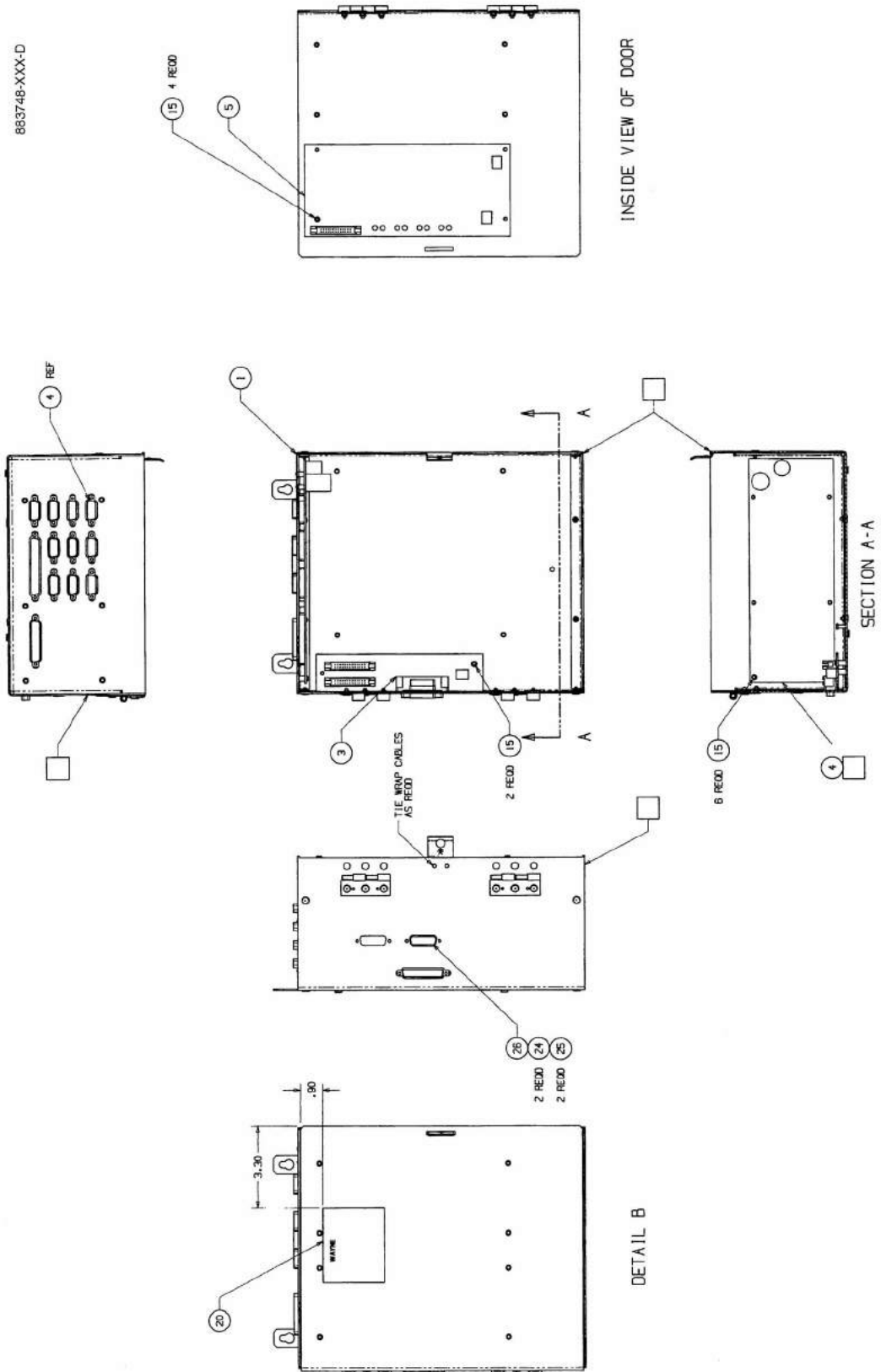


FIGURE 10. 883748-XXX - NUCLEUS DISTRIBUTION CABINET W/O MSM

**TABLE 53. 883748-001 - NUCLEUS DISTRIBUTION CABINET W/O MSM**

Item No.	Part No.	Qty.	Description
	883748-001		NUCLEUS DIST CABINET W/O
DWG	883748-XXX		NUCLEUS DIST CABINET W/O
1	883555-001	1	EXPANSION CABINET,NUCLEUS
3	882003-001	1	PCB ASSY,SIGNAL DISTRIBUT
4	883545-001	1	PCB ASSY,IPT I/O PRI DIST
5	882585-001	1	PCB ASSY,SYS,ELEC CVRSN,C
15	6005906	12	SCR 6-32X5/16 PHESPHSTPL
16	883608-001		WIRING DIAGRAM,NUCLEUS DI
17	883488-003	1	CABLE ASSY,I/O DIST,16"
20	860025-001	1	DECAL PATENT & SERIAL NO.
21	882910-001	1	TOOL,TERMINAL BLOCK,WAGO
22	881877-002	1	CABLE ASSY,ELEC I/F PRI-P
23	880099-051		SPEC,WAYNE ID AND SERIAL
24	5001801	2	STDF M/F .187X.187 4-40 H
25	6012901	2	WSHR LK #4 ITLWMDSSPA
26	883815-002	1	CABLE ASSY,PR11/0 DIST,16

**TABLE 54. 883748-002 - NUCLEUS DISTRIBUTION CABINET W/O MSM**

Item No.	Part No.	Qty.	Description
	883748-002		NUCLEUS DIST CABINET W/O
DWG	883748-XXX		NUCLEUS DIST CABINET W/O
1	883555-001	1	EXPANSION CABINET,NUCLEUS
3	882003-001	1	PCB ASSY,SIGNAL DISTRIBUT
4	883545-001	1	PCB ASSY,IPT I/O PRI DIST
5	882585-001	2	PCB ASSY,SYS,ELEC CVRSN,C
15	6005906	16	SCR 6-32X5/16 PHESPHSTPL
16	884076-001		WIRING DIAGRAM,NUCLEUS DI
17	883488-003	1	CABLE ASSY,I/O DIST,16"
20	860025-001	1	DECAL PATENT & SERIAL NO.
21	882910-001	1	TOOL,TERMINAL BLOCK,WAGO
22	881877-002	1	CABLE ASSY,ELEC I/F PRI-P
23	880099-051		SPEC,WAYNE ID AND SERIAL
24	5001801	2	STDF M/F .187X.187 4-40 H
25	6012901	2	WSHR LK #4 ITLWMDSSPA
26	883815-002	1	CABLE ASSY,PR11/0 DIST,16
29	883488-002	1	CABLE ASSY,I/O DIST,13"
30	881877-001	1	CABLE ASSY,ELEC I/F PRI-P

**TABLE 55. 883748-003 - NUCLEUS DISTRIBUTION CABINET W/O MSM**

Item No.	Part No.	Qty.	Description
	883748-003		NUC NT DIST CAB W/O MSM,1
DWG	883748-XXX		NUCLEUS DIST CABINET W/O
1	887265-001	1	EXPANSION CABINET,NUCLEUS
3	882003-001	1	PCB ASSY,SIGNAL DISTRIBUT
5	882585-001	1	PCB ASSY,SYS,ELEC CVRSN,C
15	6005906	6	SCR 6-32X5/16 PHESPHSTPL
16	883608-001		WIRING DIAGRAM,NUCLEUS DI
17	883488-003	1	CABLE ASSY,I/O DIST,16"
20	860025-001	1	DECAL PATENT & SERIAL NO.
21	882910-001	1	TOOL,TERMINAL BLOCK,WAGO
22	881877-002	1	CABLE ASSY,ELEC I/F PRI-P
23	880099-051		SPEC,WAYNE ID AND SERIAL
24	5001801	2	STDF M/F .187X.187 4-40 H
25	6012901	2	WSHR LK #4 ITLWMDSSPA
26	883815-002	1	CABLE ASSY,PR11/0 DIST,16

**TABLE 56. 883748-004 - NUCLEUS DISTRIBUTION CABINET W/O MSM**

Item No.	Part No.	Qty.	Description
	883748-004		NUC NT DIST CAB W/O MSM,2
DWG	883748-XXX		NUCLEUS DIST CABINET W/O
1	887265-001	1	EXPANSION CABINET,NUCLEUS
3	882003-001	1	PCB ASSY,SIGNAL DISTRIBUT
5	882585-001	2	PCB ASSY,SYS,ELEC CVRSN,C
15	6005906	10	SCR 6-32X5/16 PHESPHSTPL
16	884076-001		WIRING DIAGRAM,NUCLEUS DI
17	883488-003	1	CABLE ASSY,I/O DIST,16"
20	860025-001	1	DECAL PATENT & SERIAL NO.
21	882910-001	1	TOOL,TERMINAL BLOCK,WAGO
22	881877-002	1	CABLE ASSY,ELEC I/F PRI-P
23	880099-051		SPEC,WAYNE ID AND SERIAL
24	5001801	2	STDF M/F .187X.187 4-40 H
25	6012901	2	WSHR LK #4 ITLWMDSSPA
26	883815-002	1	CABLE ASSY,PR11/0 DIST,16
29	883488-002	1	CABLE ASSY,I/O DIST,13"
30	881877-001	1	CABLE ASSY,ELEC I/F PRI-P



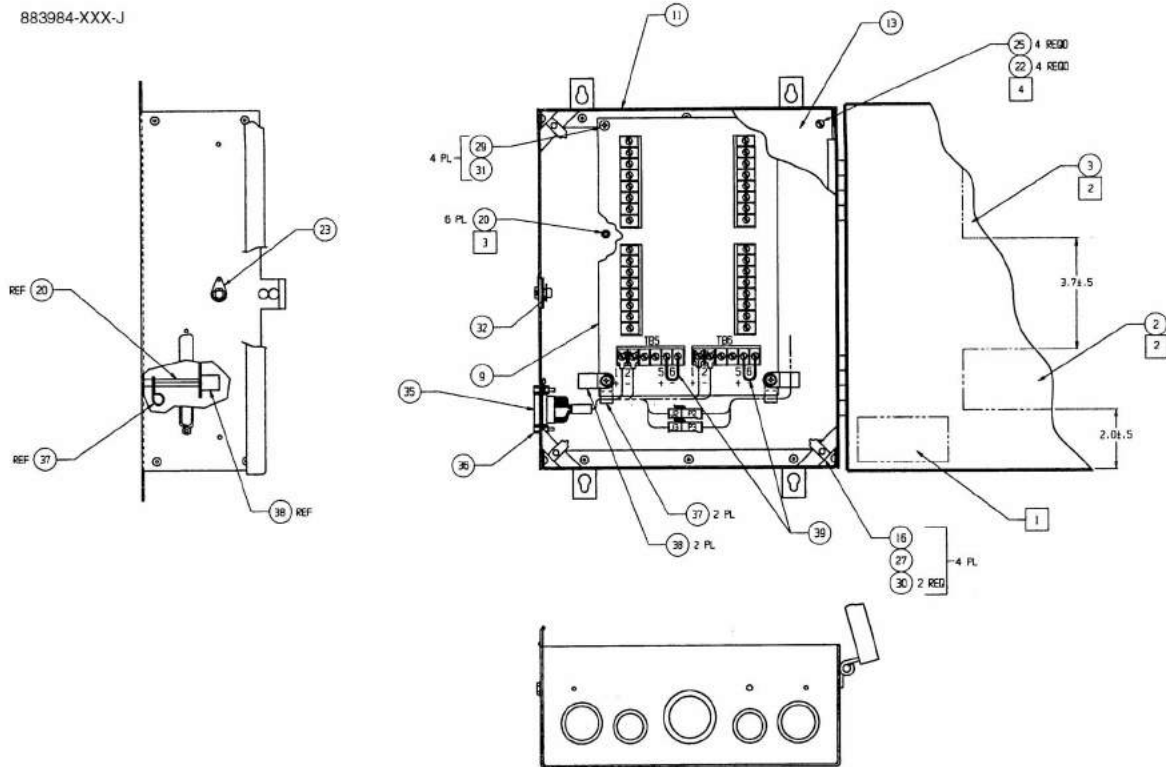


FIGURE 11. 883984-XXX - NUCLEUS DATA DISTRIBUTION BOX ASSEMBLY

**TABLE 57. 883984-001 - NUCLEUS DATA DISTRIBUTION BOX ASSY 16FP**

Item No.	Part No.	Qty.	Description
	883984-001		DD BOX ASSY,NUCLEUS,16FP
DWG	883984-XXX		DD BOX ASSY,NUCLEUS
2	780087-001	1	LABEL "CAUTION HAZARD OF
3	860025-001	1	DECAL PATENT & SERIAL NO.
9	800105-002/016	1	ASSY,PCB 16HOSE DD NUCLEU
11	800112-001	1	ENCL DATA DISTRIBUTION
13	800118-001	1	PNL SILKSCREEN DD CABINET
16	790076-001	4	BRKT,COVER CONTROL CABINE
20	886703-001	6	STDF M/F 1.500X.2.50 8-32
22	6010202	4	WSHR #4 .115X.281X.047 FW
23	870048-001	1	ASSY,CONNECTOR BANANA JAC
25	6000705	4	SCR 6-32X3/8 PHMSPHSSPA
27	6024301	4	NUT 6-32 SPEED U-TYPE
29	6005909		SCR 8-32X3/8 PHESPHSTPL
30	6018401	8	RIVET POP 3/32 DIA X .250
31	6010901	4	WSHR #8 .171X.375X.032 FW
35	883980-003	1	CABLE ASSY,NUCLEUS DD BOX
36	5010301	1	KIT,FEMALE SCR LK ASSY 2E
37	884416-001	2	CABLE CLAMP 3/8"D,UL
38	884416-002	2	CABLE CLAMP 1/2" D,UL
39	4016501		WIRE 1015 18 WHT PVC 600V

**TABLE 58. 883984-002 - NUCLEUS DATA DISTRIBUTION BOX ASSY FC**

Item No.	Part No.	Qty.	Description
	883984-002		DD BOX ASSY,NUCLEUS,FC
DWG	883984-XXX		DD BOX ASSY,NUCLEUS
2	780087-001	1	LABEL "CAUTION HAZARD OF
3	860025-001	1	DECAL PATENT & SERIAL NO.
9	800105-002/016	1	ASSY,PCB 16HOSE DD NUCLEU
11	800112-001	1	ENCL DATA DISTRIBUTION
13	800118-001	1	PNL SILKSCREEN DD CABINET
16	790076-001	4	BRKT,COVER CONTROL CABINE
20	886703-001	6	STDF M/F 1.500X.2.50 8-32
22	6010202	4	WSHR #4 .115X.281X.047 FW
23	870048-001	1	ASSY,CONNECTOR BANANA JAC
25	6000705	4	SCR 6-32X3/8 PHMSPHSSPA
27	6024301	4	NUT 6-32 SPEED U-TYPE
29	6005909		SCR 8-32X3/8 PHESPHSTPL
30	6018401	8	RIVET POP 3/32 DIA X .250
31	6010901	4	WSHR #8 .171X.375X.032 FW
35	883980-002	1	CABLE ASSY,NUCLEUS DD BOX
36	5010301	1	KIT,FEMALE SCR LK ASSY 2E
37	884416-001	2	CABLE CLAMP 3/8"D,UL
38	884416-002	2	CABLE CLAMP 1/2" D,UL
39	4016501		WIRE 1015 18 WHT PVC 600V



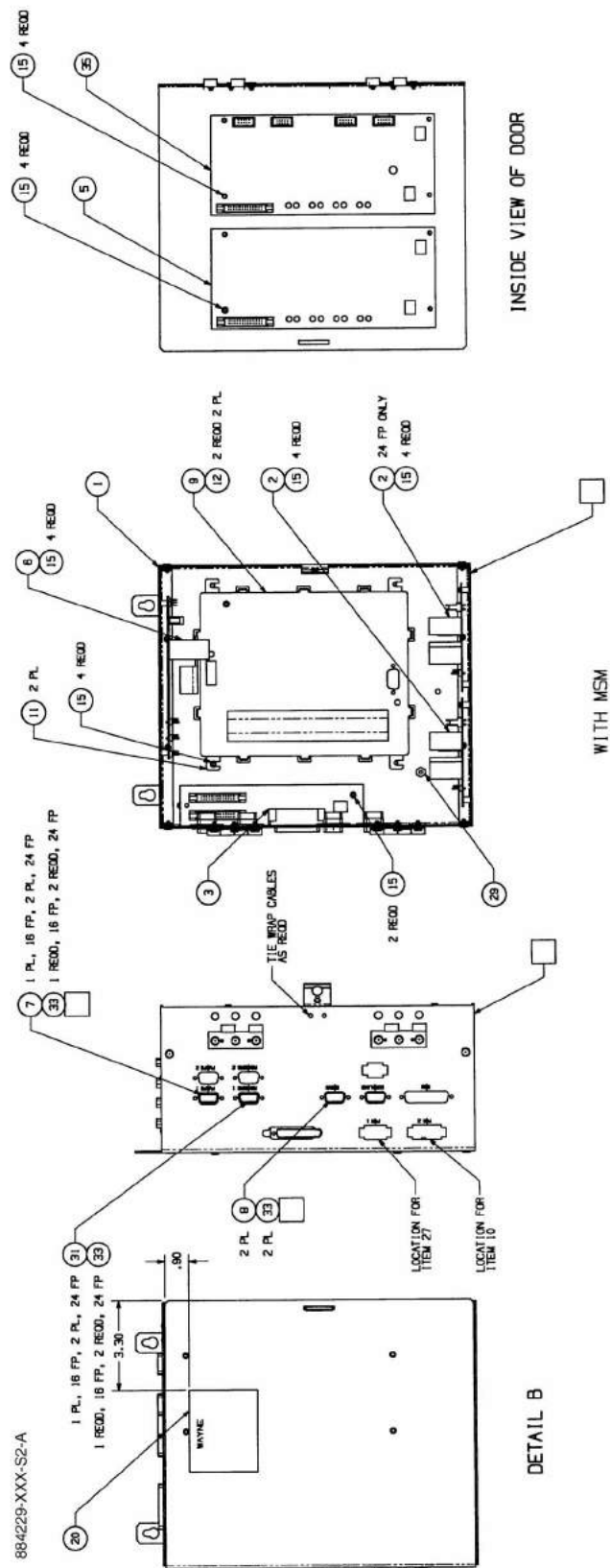


FIGURE 13. 884229-XXX-S2 - NUCLEUS COMP DISTRIBUTION CABINET W/MSM

TABLE 59. 884229-001 - NUCLEUS COMP DIST CABINET

Item No.	Part No.	Qty.	Description
	884229-001		NUCLEUS COMP DIST CABINET
DWG	884229-XXX		NUCLEUS COMP DIST CABINET
1	886181-001	1	EXPANSION CABINET,NUCLEUS
2	884233-001	1	PCB ASSY,NUCLEUS/GB PMP-E
3	882003-001	1	PCB ASSY,SIGNAL DISTRIBUT
4	883545-001	1	PCB ASSY,IPT I/O PRI DIST
5	886734-001	1	PCB ASSY,ELEC CVRSN,GILBA
6	884232-001	1	PCB ASSY,NUCLEUS/GILB GPC
7	884297-001	1	CABLE ASSY,CONFIG BD TO S
8	884295-001	2	CABLE ASSY,GPCC TO SIDE P
10	886203-001	1	CABLE ASSY,GPCC POWER
13	884298-001	1	CABLE ASSY,GPCC TO CONFIG
15	6005906	20	SCR 6-32X5/16 PHESPHSTPL
16	886198-001		WIRING DIAGRAM,NUCLEUS DI
17	883488-003	1	CABLE ASSY,I/O DIST,16"
19	886201-001	1	CABLE ASSY,GPCC TO RS232
20	860025-001	1	DECAL PATENT & SERIAL NO.
22	881877-002	1	CABLE ASSY,ELEC I/F PRI-P
23	880099-051		SPEC,WAYNE ID AND SERIAL
27	886202-001	1	CABLE ASSY,CONFIG BDS POW
28	5008601		TIE WRAP 4"L 3/4"-MAX BUN
29	6019401	1	NUT 6-32 KPNTSPSTZN
30	886707-001	4	FERRITE,ROUND CABLE CORE
31	881564-002	1	CABLE ASSY,ECB TO GILBARC
32	886807-001	1	GILBARCO DISTRIBUTION BOX
33	5010303	4	KIT,FEMALE SCR LK 4-40X.5

**TABLE 60. 884229-002 - NUCLEUS COMP DIST CABINET INET**

<b>Item No.</b>	<b>Part No.</b>	<b>Qty.</b>	<b>Description</b>
	884229-002		NUCLEUS COMP DIST CABINET
DWG	884229-XXX		NUCLEUS COMP DIST CABINET
1	886181-001	1	EXPANSION CABINET,NUCLEUS
2	884233-001	2	PCB ASSY,NUCLEUS/GB PMP-E
3	882003-001	1	PCB ASSY,SIGNAL DISTRIBUT
4	883545-001	1	PCB ASSY,IPT I/O PRI DIST
5	886734-001	1	PCB ASSY,ELEC CVRSN,GILBA
6	884232-001	1	PCB ASSY,NUCLEUS/GILB GPC
7	884297-001	2	CABLE ASSY,CONFIG BD TO S
8	884295-001	2	CABLE ASSY,GPCC TO SIDE P
10	886203-001	1	CABLE ASSY,GPCC POWER
13	884298-001	2	CABLE ASSY,GPCC TO CONFIG
15	6005906	24	SCR 6-32X5/16 PHESPHSTPL
16	886198-001		WIRING DIAGRAM,NUCLEUS DI
17	883488-003	1	CABLE ASSY,I/O DIST,16"
19	886201-001	1	CABLE ASSY,GPCC TO RS232
20	860025-001	1	DECAL PATENT & SERIAL NO.
22	881877-002	1	CABLE ASSY,ELEC I/F PRI-P
23	880099-051		SPEC,WAYNE ID AND SERIAL
27	886202-001	1	CABLE ASSY,CONFIG BDS POW
28	5008601		TIE WRAP 4"L 3/4"-MAX BUN
29	6019401	1	NUT 6-32 KPNTSPSTZN
30	886707-001	6	FERRITE,ROUND CABLE CORE
31	881564-002	2	CABLE ASSY,ECB TO GILBARC
32	886807-001	1	GILBARCO DISTRIBUTION BOX
33	5010303	6	KIT,FEMALE SCR LK 4-40X.5

TABLE 61. 884229-003 - NUCLEUS NT COMP CABINET W/O MSM 1

Item No.	Part No.	Qty.	Description
	884229-003		NUC NT COMP CAB W/O MSM,1
DWG	884229-XXX		NUCLEUS COMP DIST CABINET
1	887266-001	1	EXPANSION CABINET,NUCLEUS
2	884233-001	1	PCB ASSY,NUCLEUS/GB PMP-E
3	882003-001	1	PCB ASSY,SIGNAL DISTRIBUT
5	886734-001	1	PCB ASSY,ELEC CVRSN,GILBA
6	884232-001	1	PCB ASSY,NUCLEUS/GILB GPC
7	884297-001	1	CABLE ASSY,CONFIG BD TO S
8	884295-001	2	CABLE ASSY,GPCC TO SIDE P
10	886203-002	1	CABLE ASSY,GPCC POWER 24"
13	884298-002	1	CABLE ASSY,GPCC TO CONFIG
15	6005906	14	SCR 6-32X5/16 PHESPHSTPL
16	886198-001		WIRING DIAGRAM,NUCLEUS DI
17	883488-003	1	CABLE ASSY,I/O DIST,16"
19	886201-001	1	CABLE ASSY,GPCC TO RS232
20	860025-001	1	DECAL PATENT & SERIAL NO.
22	881877-002	1	CABLE ASSY,ELEC I/F PRI-P
23	880099-051		SPEC,WAYNE ID AND SERIAL
27	886202-001	1	CABLE ASSY,CONFIG BDS POW
28	5008601		TIE WRAP 4"L 3/4"-MAX BUN
29	6019401	1	NUT 6-32 KPNTSPSTZN
30	886707-001	4	FERRITE,ROUND CABLE CORE
31	881564-002	1	CABLE ASSY,ECB TO GILBARC
32	886807-001	1	GILBARCO DISTRIBUTION BOX
33	5010303	4	KIT,FEMALE SCR LK 4-40X.5

**TABLE 62. 884229-004 - NUCLEUS NT COMP CABINET W/O MSM 2**

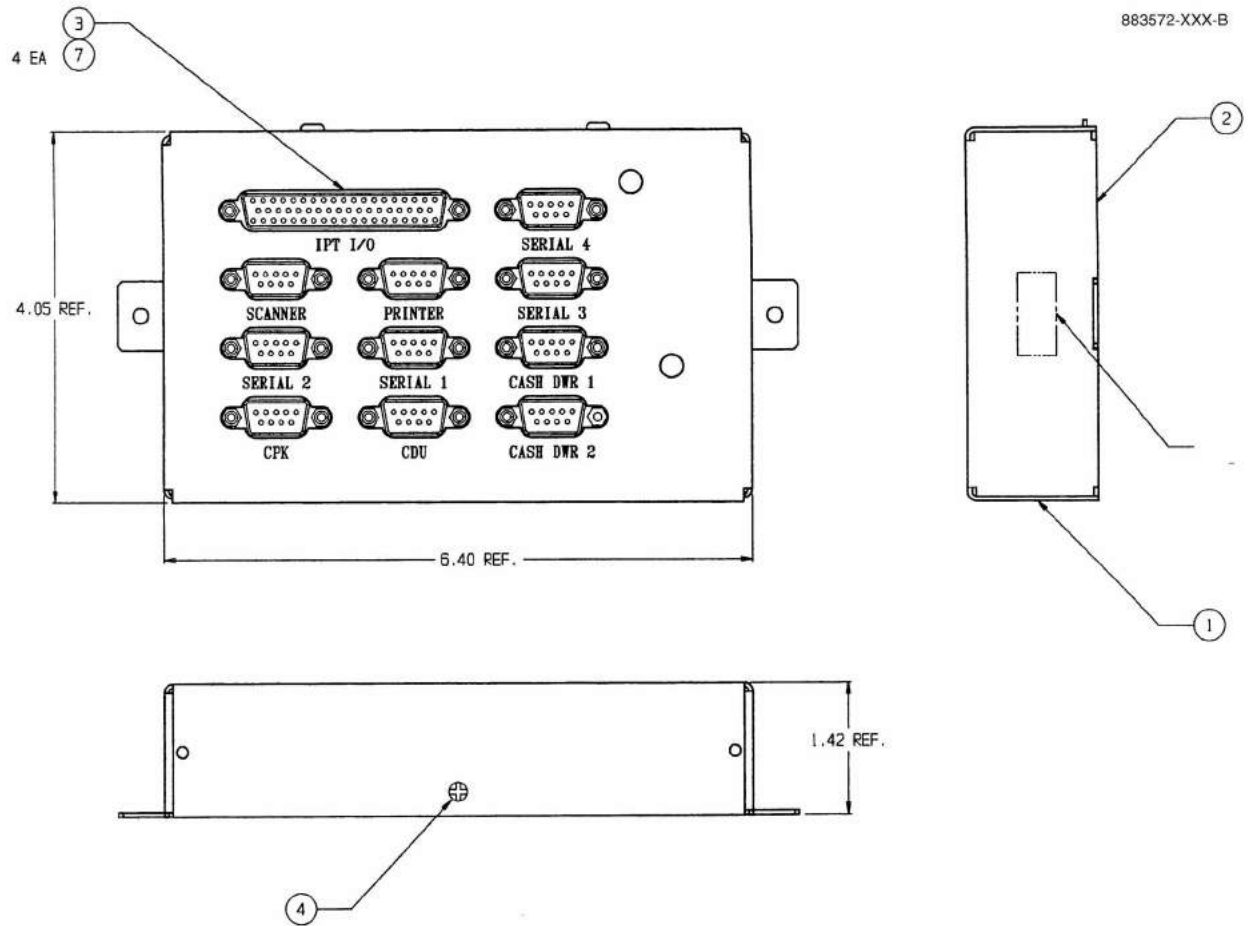
<b>Item No.</b>	<b>Part No.</b>	<b>Qty.</b>	<b>Description</b>
	884229-004		NUC NT COMP CAB W/O MSM,2
DWG	884229-XXX		NUCLEUS COMP DIST CABINET
1	887266-001	1	EXPANSION CABINET,NUCLEUS
2	884233-001	2	PCB ASSY,NUCLEUS/GB PMP-E
3	882003-001	1	PCB ASSY,SIGNAL DISTRIBUT
5	886734-001	1	PCB ASSY,ELEC CVRSN,GILBA
6	884232-001	1	PCB ASSY,NUCLEUS/GILB GPC
7	884297-001	2	CABLE ASSY,CONFIG BD TO S
8	884295-001	2	CABLE ASSY,GPCC TO SIDE P
10	886203-002	1	CABLE ASSY,GPCC POWER 24"
13	884298-002	2	CABLE ASSY,GPCC TO CONFIG
15	6005906	18	SCR 6-32X5/16 PHESPHSTPL
16	886198-001		WIRING DIAGRAM,NUCLEUS DI
17	883488-003	1	CABLE ASSY,I/O DIST,16"
19	886201-001	1	CABLE ASSY,GPCC TO RS232
20	860025-001	1	DECAL PATENT & SERIAL NO.
22	881877-002	1	CABLE ASSY,ELEC I/F PRI-P
23	880099-051		SPEC,WAYNE ID AND SERIAL
27	886202-001	1	CABLE ASSY,CONFIG BDS POW
28	5008601		TIE WRAP 4"L 3/4"-MAX BUN
29	6019401	1	NUT 6-32 KPNTSPSTZN
30	886707-001	6	FERRITE,ROUND CABLE CORE
31	881564-002	2	CABLE ASSY,ECB TO GILBARC
32	886807-001	1	GILBARCO DISTRIBUTION BOX
33	5010303	6	KIT,FEMALE SCR LK 4-40X.5

TABLE 63. 884229-005 - NUCLEUS NT COMP CABINET 16FP EXXONMOBIL

Item No.	Part No.	Qty.	Description
	884229-005		NUC NT COMP CAB 16FP,XOM
DWG	884229-XXX		NUCLEUS COMP DIST CABINET
1	887266-001	1	EXPANSION CABINET,NUCLEUS
2	884233-001	1	PCB ASSY,NUCLEUS/GB PMP-E
3	882003-001	1	PCB ASSY,SIGNAL DISTRIBUT
6	884232-001	1	PCB ASSY,NUCLEUS/GILB GPC
7	884297-001	1	CABLE ASSY,CONFIG BD TO S
8	884295-001	2	CABLE ASSY,GPCC TO SIDE P
10	886203-002	1	CABLE ASSY,GPCC POWER 24"
12	6001802	4	SCR 6-32X3/8 FLMSPHSSPA
13	884298-002	1	CABLE ASSY,GPCC TO CONFIG
15	6005906	18	SCR 6-32X5/16 PHESPHSTPL
16	886198-001		WIRING DIAGRAM,NUCLEUS DI
17	883488-003	2	CABLE ASSY,I/O DIST,16"
19	886201-001	1	CABLE ASSY,GPCC TO RS232
20	860025-001	1	DECAL PATENT & SERIAL NO.
22	881877-002	1	CABLE ASSY,ELEC I/F PRI-P
23	880099-051		SPEC,WAYNE ID AND SERIAL
27	886202-001	1	CABLE ASSY,CONFIG BDS POW
28	5008601		TIE WRAP 4"L 3/4"-MAX BUN
29	6019401	1	NUT 6-32 KPNTSPSTZN
30	886707-001	4	FERRITE,ROUND CABLE CORE
31	881564-002	1	CABLE ASSY,ECB TO GILBARC
32	886807-001	1	GILBARCO DISTRIBUTION BOX
33	5010303	5	KIT,FEMALE SCR LK 4-40X.5
34	887278-001	1	CABLE ASSY,GSM TO SIDE PA
37	881877-001	1	CABLE ASSY,ELEC I/F PRI-P
39	887037-001	1	PCB ASSY,ELEC CVRSN,GILBA
40	886227-001	1	XFMR ASSY,GPCC CONFIG BDS
41	886228-001	1	XFMR ASSY,GPCC BOARD
42	886843-100	1	CABLE ASSY,GILB RDR,100FT
43	886229-100	1	CABLE ASSY,GPCC TO 3RD PA

TABLE 64. 884229-006 - NUCLEUS NT COMP CABINET 24FP EXXONMOBIL

Item No.	Part No.	Qty.	Description
	884229-006		NUC NT COMP CAB,24FP,XOM
DWG	884229-XXX		NUCLEUS COMP DIST CABINET
1	887266-001	1	EXPANSION CABINET,NUCLEUS
2	884233-001	2	PCB ASSY,NUCLEUS/GB PMP-E
3	882003-001	1	PCB ASSY,SIGNAL DISTRIBUT
6	884232-001	1	PCB ASSY,NUCLEUS/GILB GPC
7	884297-001	2	CABLE ASSY,CONFIG BD TO S
8	884295-001	2	CABLE ASSY,GPCC TO SIDE P
10	886203-002	1	CABLE ASSY,GPCC POWER 24"
12	6001802	4	SCR 6-32X3/8 FLMSPHSSPA
13	884298-002	2	CABLE ASSY,GPCC TO CONFIG
15	6005906	22	SCR 6-32X5/16 PHESPHSTPL
16	886198-001		WIRING DIAGRAM,NUCLEUS DI
17	883488-003	2	CABLE ASSY,I/O DIST,16"
19	886201-001	1	CABLE ASSY,GPCC TO RS232
20	860025-001	1	DECAL PATENT & SERIAL NO.
22	881877-002	1	CABLE ASSY,ELEC I/F PRI-P
23	880099-051		SPEC,WAYNE ID AND SERIAL
27	886202-001	1	CABLE ASSY,CONFIG BDS POW
28	5008601		TIE WRAP 4"L 3/4"-MAX BUN
29	6019401	1	NUT 6-32 KPNTSPSTZN
30	886707-001	6	FERRITE,ROUND CABLE CORE
31	881564-002	2	CABLE ASSY,ECB TO GILBARC
32	886807-001	1	GILBARCO DISTRIBUTION BOX
33	5010303	7	KIT,FEMALE SCR LK 4-40X.5
34	887278-001	1	CABLE ASSY,GSM TO SIDE PA
37	881877-001	1	CABLE ASSY,ELEC I/F PRI-P
39	887037-001	1	PCB ASSY,ELEC CVRSN,GILBA
40	886227-001	1	XFMR ASSY,GPCC CONFIG BDS
41	886228-001	1	XFMR ASSY,GPCC BOARD
42	886843-100	1	CABLE ASSY,GILB RDR,100FT
43	886229-100	1	CABLE ASSY,GPCC TO 3RD PA



**FIGURE 14. 883572-XXX - IPT DISTRIBUTION ASSEMBLY**

**TABLE 65. 883572-001 - IPT DISTRIBUTION ASSEMBLY**

Item No.	Part No.	Qty.	Description
	883572-001		ASSY,IPT DISTRIBUTION
DWG	883572-XXX		ASSY,IPT DISTRIBUTION
1	883570-001	1	BODY,IPT INTERFACE BOX
2	883571-001	1	COVER,IPT INTERFACE BOX
3	883547-001	1	PCB ASSY,IPT I/O DIST
4	6005901	1	SCR 6-32X3/8 PHESPHSTPL
7	6005906	4	SCR 6-32X5/16 PHESPHSTPL

883977.dwg

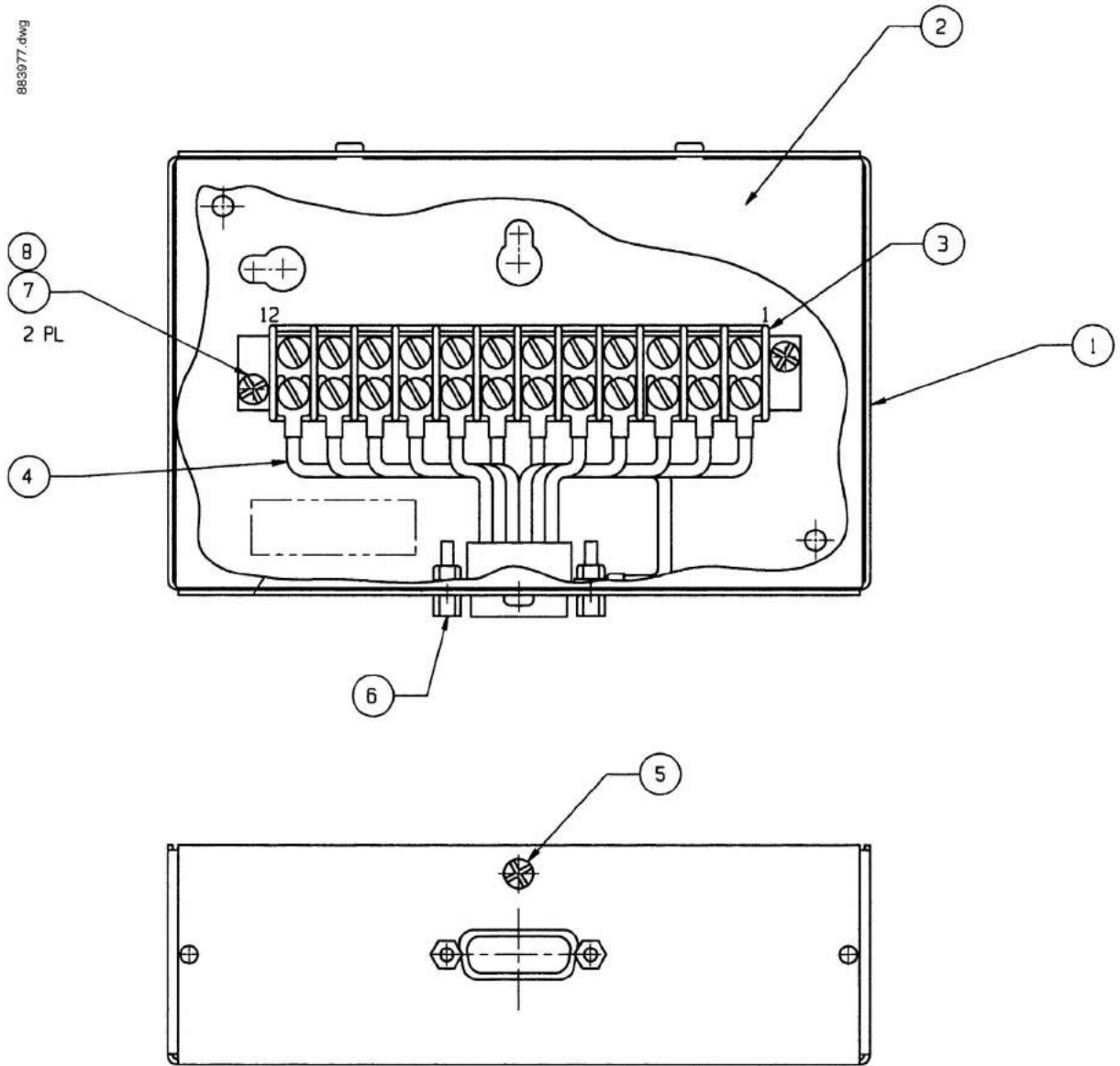


FIGURE 15. 883977-XXX - NUCLEUS INTERCONNECTION BOX ASSEMBLY

TABLE 66. 883977-001 - INTERCONNECT BOX ASSEMBLY NUCLEUS

Item No.	Part No.	Qty.	Description
	883977-001		INTECONNECT BOX ASSY,NUCLEUS
DWG	883977-XXX		INTECONNECT BOX ASSY,NUCLEUS
1	883949-001	1	BODY,INTERCONNECT BOX
2	883950-001	1	COVER,INTERCONNECT BOX
3	883810-002	1	TERM BLK DL ROW 12POS SCRW TYPE
4	883815-001	1	CABLE ASSY I/O DIST RETRO,24
5	6005901	1	SCR 6-32X3/8 PHESPHSTPL
6	5010301	1	KIT,FEMALE SCR LK ASSY 2EA/KIT
7	6000706	2	SCR 6-32X7/16 PHMSPHSSPA
8	6013001	2	WSHR LK #6 ITLWMDSSPA