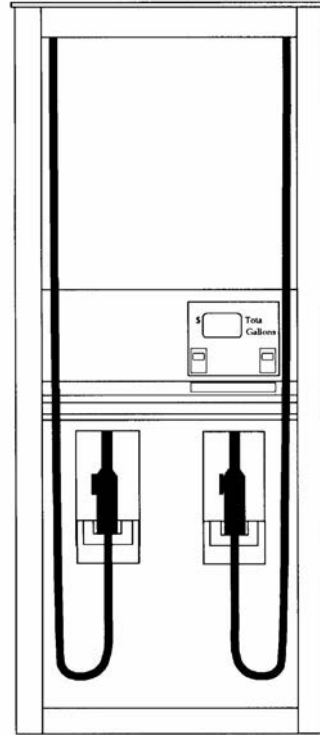


PARKETS

3/Vista 80 Series (Narrow) Multigrade Dispensers



TERMS AND ACRONYMS

Acronym / Abbreviation	Description
ASSY	ASSEMBLY
AU	AUTO ON
BRKT	BRACKET
CAT	CUSTOMER ACTIVATED TERMINAL
CPM	CUSTOMER PAYMENT MODULE
CD	CHARACTER DISPLAY
DEM	DISPLAY ELECTRONIC MODULE
DES	DATA ENCRYPTION STANDARD
DSPL	DISPLAY
DS	DUAL SIDED
GD	GRAPHICS DISPLAY
GHM	GLOBAL HYDRAULICS MODULE, iMETER - 2/VISTA HYDRAULICS MODULE
HH	HAND HELD WAYNE TRAC TRANSPONDER
HTR	HEATER
iGEM	3/VISTA, GLOBAL ELECTRONICS WITH iMETER - 2/VISTA HYDRAU- LICS MODULE
iMETER	2/VISTA HYDRAULICS MODULE
KDC	KEYPAD DISPLAY CONSOLE
KYPD	KEYPAD
LTS	LIFT TO START
MFG	MANUFACTURING
MGD	MULTI-GRADE DISPENSER
NDES	NON-DES
N-ENCL	NEW ENCLOSURE
OCPT	OUTDOOR CARD PROCESSING TERMINAL
PCB	PRINTER CIRCUIT BOARD
PMPHD	PUMP HEAD
PRMGD	PROGRAMMED
PWR	POWER
PTS	PUSH TO START
RP	RECEIPT PRINTER
SCD	SECURED
SCR	SCREW
SP	SINGLE PRICING
SS	SINGLE SIDED
TBR	TEAR BAR PRINTER
VAC	VAPOR RECOVERY
WSHR	WASHER
WT	WAYNE TRAC
W/VAC	WAYNE VAC VAPOR RECOVERY

3/Vista 80 Series (Narrow) Multigrade Dispensers Parts Manual

This manual lists parts for 3/Vista (iGEM) 80 series (narrow) dispensers. For common assemblies see the Vista Shared Assemblies Manual, part no. 920345. For a breakdown of optional equipment see that specific option parts manual. All Wayne parts manuals are available in the Parts Subscription, part no. 917442.

Wayne Dispenser Configurations for Vista Models

Inlet product viewed from Junction box side of dispenser

Single Product Dispenser		3/V387	
Two Hose:			
Two Product Dispensers			
Two Hose:	3/V388		3/V388
Four Hose:	3/V389		3/V389
Four Hose:	3/V399		3/V399
Multi-Grade Dispensers			
Six Hose:	3/V390		3/V390
Two Hose:	3/V390/U		3/V390/U
Eight Hose:	3/V490		3/V490
Single Hose:	3/V490/U		3/V490/U
Blending Dispensers			
Four Hose:	3/V595		3/V595
Two Hose:	3/V580, 3/V585		3/V580, 3/V585
Six Hose:	3/V590		3/V590
Two Hose:	3/V590/U		3/V590/U
Eight Hose:	3/V595U		3/V595U
Two Hose:	3/V595		3/V595
Four Hose:	3/V595/U		3/V595/U
Two Hose:	3/V585		3/V585
Two Hose:	3/V580		3/V580
Two Hose:	3/V590		3/V590
Two Hose:	3/V590/U		3/V590/U
Two Hose:	3/V595		3/V595
Two Hose:	3/V595/U		3/V595/U
Two Hose:	3/V599		3/V599
Two Hose:	3/V599/U		3/V599/U

Grade designations for nozzle boot, inlet and outlet positions:

- X = product 1
- Y = product 2
- Z = product 3
- AA = product 4
- Hi = high grade product
- Lo = low grade product
- B = blended product
- MG = multi-grade product
- S = separate product

TABLE OF CONTENTS

<u>Title</u>	<u>Page</u>
List of Terms and Acronyms	Inside Front Cover
Wayne Dispenser Configurations	ii
How to Locate Parts	iv
How to Contact Wayne	iv
How to Order Parts	v
How to Use Wayne Vista Dispenser Model Designation Chart	vii
List of Tables	ix
List of Figures	xi
FCC Warning	Back Cover

HOW TO LOCATE PARTS

How to locate part number:

- Use the List of Tables to locate the Module containing part needed, (Hydraulics, Bezel, Electronic Head, etc.).
- Using the Module description find the Table number and page where shown. Turn to indicated page.
- In the Table use the Drawing* number, (DWG) listed under the Part No. column, to find the corresponding module drawing. Turn to drawing indicated.
- Locate the part or assembly needed on the module drawing and the corresponding Item** number.
- Then using the Item number on the drawing find the specific part number, quantity and description in the parts table for your model.
- Some parts and assemblies may breakdown further. Follow the instructions in the table to '**See Other Tables or Manuals**'.***

*Some tables refer to several Drawings (DWG) for part identification.

The item numbers shown on the drawings are intended only to locate the part number and description in the accompanying table of parts. **Do not order parts by item number.

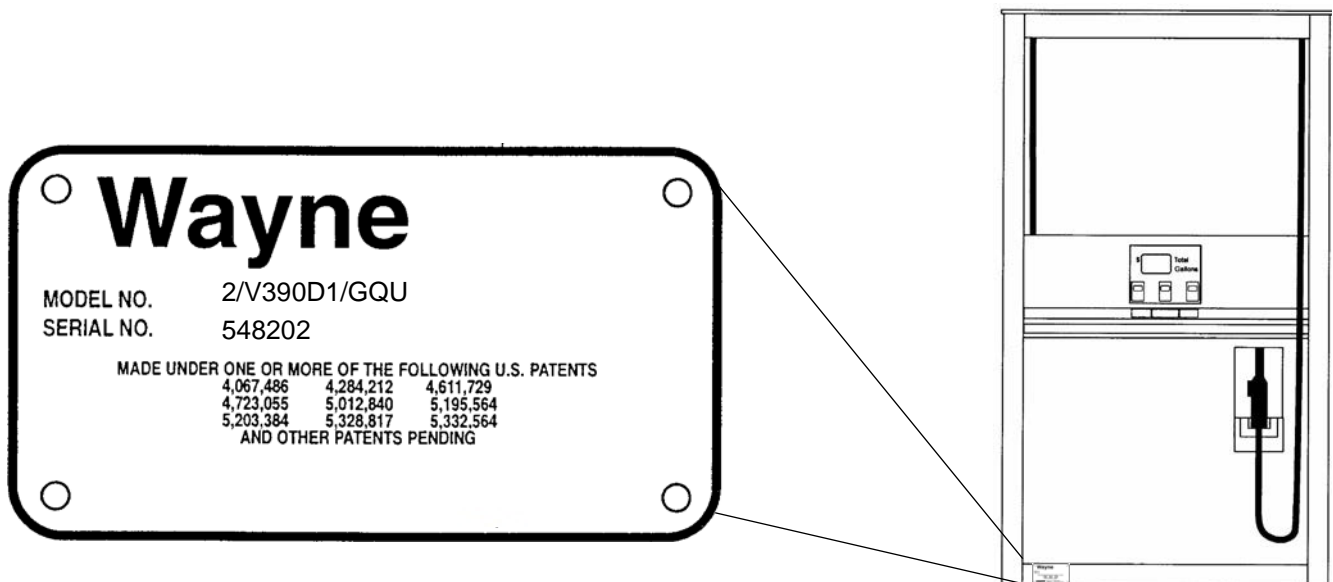
***Some common part assemblies, subassemblies and modules are listed in the 1, 2 and 3/Vista Blending and Non-blending Shared Assemblies Manual, part no. 920345, and show a further breakdown of parts.

HOW TO ORDER PARTS

To insure correct and prompt delivery of parts, furnish the serial number, model number and any existing code number on the dispenser serial plate, located on the left front base of the dispenser, a sample of which is shown below.

When ordering parts supply the following information:

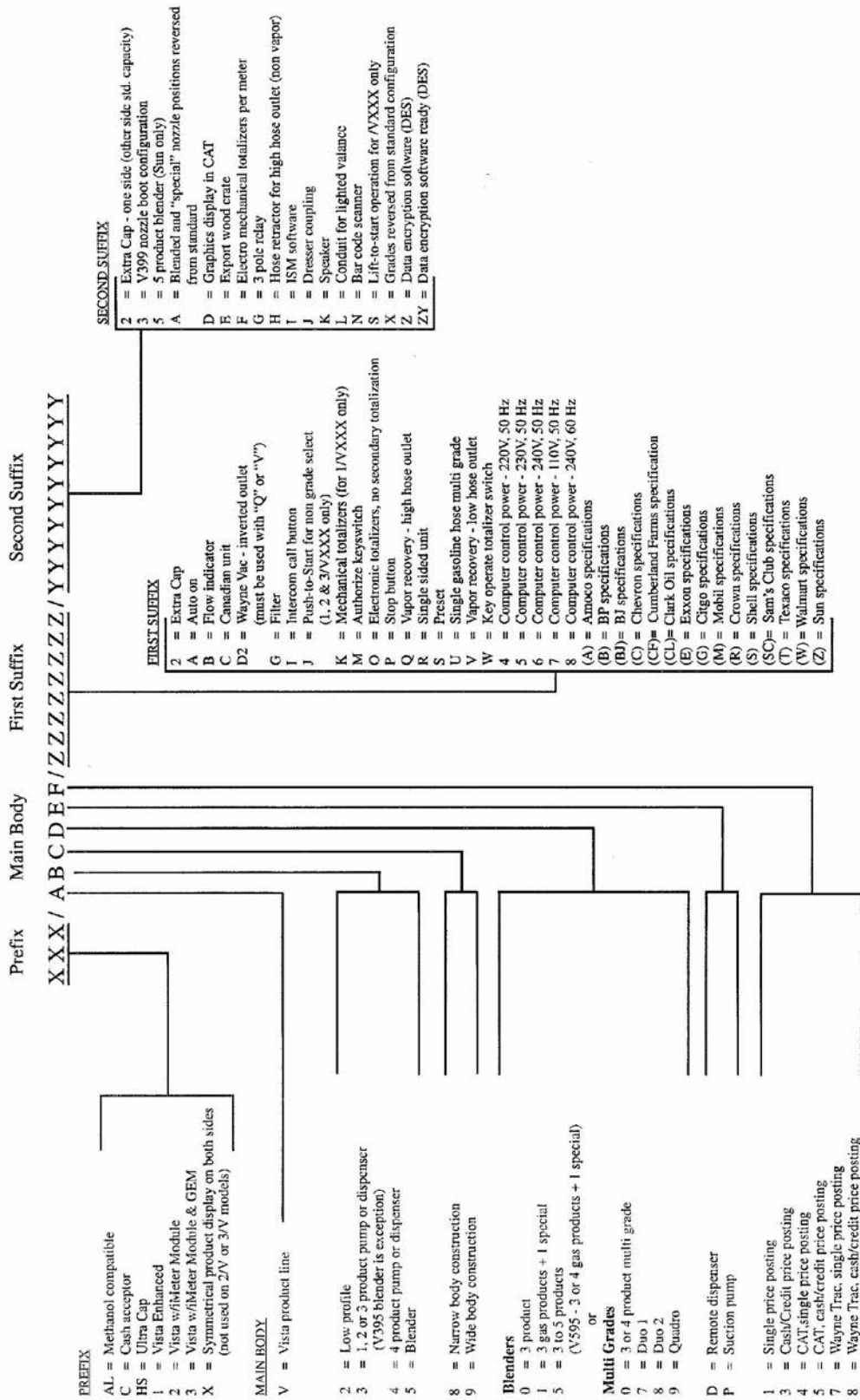
- Serial number of dispenser.
- Model number of dispenser.
- Part number.
- Description of the part.
- Quantity desired.



The Model and Serial Numbers above are examples only (2/V390/U Shown).

NOTE: When ordering parts with particular company specifications such as doors, advertising panels and dial faces, please call our Service Parts Department with specific dispenser model number and serial number. All warranty parts are to be ordered through local distributors.

Wayne Dispenser Model Designations For Vista



HOW TO USE WAYNE MODEL DESIGNATION CHART

Example: **3/V390D1/D2GQU**

- 3 = iGEM iMeter plus Global Electronics Module
- V = Vista
- 3 = 1, 2, or 3 Product pump or Dispenser
- 9 = Wide Body
- 0 = Multi grade, 3 or 4 Product
- D = Remote Dispenser
- 1 = Single Price Posting
- D2 = Wayne VAC, Inverted Outlet
- G = Filter
- Q = Vapor Recovery - High Hose Outlet
- U = Single Hose MGD

NOTE: The Model Number is on the Serial Plate located on the front of the dispenser. See “HOW TO ORDER PARTS” on page v. for Serial Plate Location.

LIST OF TABLES

Table of Contents **iii**

Graphics Placement **1**

Table 1. 1-7195-C - Graphics Placement Reference Table, Vista Series 2

Housing Module **5**

Table 2. 1-47901 - Housing Module, iMeter 6

Frame Module **7**

Table 3. 2-302004 - Frame Module 3/V Narrow Remote 8

Table 4. 5-302004 - Frame Module 3/V Narrow Suction 10

Table 5. 301125 - Vapor Barrier 3/V 11

Table 6. 48011 - Top Plate 3/V 11

Table 7. 301594 - Base Half 3/V 11

Door Module **13**

Table 8. 2-301655 - Door Module 3/V Narrow 14

Table 9. 47518 - Door Usage Chart 14

Hydraulics Module **15**

Table 10. 9-302000 - Hydraulics Module 3/V387D 16

Table 11. 10-302000 - Hydraulics Module 3/V387D/R 17

Table 12. 11-302000 - Hydraulics Module 3/V580D 20

Table 13. 12-302000 - Hydraulics Module 3/V580D/R 21

Table 14. 19-302000 - Hydraulics Module 3/V389D 24

Table 15. 20-302000 - Hydraulics Module 3/V389D/R 25

Table 16. 27-302000 - Hydraulics Module 3/V580D/T 28

Table 17. 28-302000 - Hydraulics Module 3/V580D/RT 29

Table 18. 55-302000 - Hydraulics Module 3/V388D 32

Table 19. 2-47917 - iMeter Module, 3/V Remote 34

Table 20. 2-47918 - iMeter Module, 3/V Remote, Single Sided 36

Table 21. 3-47918 - iMeter Module, 3/V Remote, Single Sided 36

Table 22. 4-47918 - iMeter Module, 3/V Remote, Single Sided 36

Table 23. 4-47919 - iMeter Module, 3/V Suction 38

Table 24. 5-47919 - iMeter Module, 3/V Suction, Single Sided Front 38

Table 25. 6-47919 - iMeter Module, 3/V Suction, Single Sided Rear 38

Table 26. 11-47927 - iMeter/Pulser Assy 40

Table 27. 12-47927 - iMeter/Pulser Assy 40

Table 28. 13-47927 - iMeter/Pulser Assy 40

Table 29. Outlet Table 3/V 41

Vapor Recovery Module **43**

Table 30. 3-302001 - Balance Vapor Recovery Module, 3/V387D/Q, 3/V580D/Q, 3/V585D/Q 44

Table 31. 4-302001 - Balance Vapor Recovery Module, 3/V387D/QR 44

Table 32. 9-302001 - Balance Vapor Recovery Module, Low Outlet, 3/V580D/V, 3/V585D/V 46

Table 33. 10-302001 - Balance Vapor Recovery Module, Low Outlet, Single Sided,
3/V580D/RV, 3/V585D/RV 48

Table 34. 15-302001 - Balance Vapor Recovery Module, 3/V387P/Q, 3/V580P/Q, 3/V585P/Q 50

Table 35. 16-302001 - Balance Vapor Recovery Module, Single Sided, 3/V387P/QR,
3/V580P/QR, 3/V585P/QR 50

Table of Contents

Table 36.	3-302002 - Wayne Vac Vapor Recovery Module, 3/V387D/D2Q, 3/V580D/D2Q, 3/V585D/D2Q	52
Table 37.	4-302002 - Wayne Vac Vapor Recovery Module, 3/V387D/D2QR, 3/V580D/D2QR, 3/V585D/D2QR	54
Table 38.	9-302002 - Wayne Vac Vapor Recovery Module, Low Outlet, 3/V580D/D2V, 3/V585D/D2V	56
Table 39.	10-302002 - Wayne vac Vapor Recovery module, Low Outlet, Single Sided, 3/V580D/D2RV, 3/V585D/D2RV	58
Table 40.	Vapor Recovery Tube Chart	59
Nozzle Boot Module		61
Table 41.	1-47820 - Nozzle Boot Module, Remote, Lift to Start	62
Table 42.	3-47820 - Nozzle Boot Module, Remote, Push to Start	62
Table 43.	8-47820 - Nozzle Boot Module, 3/V Suction, Lift to Start	64
Table 44.	9-47820 - Nozzle Boot Module, 3/V Suction, Vented	64
Table 45.	301818 - Nozzle Boot Vent Tube 3/V Suction	64
Electrical Module		65
Table 46.	2-302003 - Electrical Module 3/V Remote Narrow	66
Table 47.	4-302003 - Electrical Module 3/V Suction narrow	68
Table 48.	302107 - Junction Box Assy, Suction 3/V	69
Table 49.	39804 - Junction Box Assy, Remote 3/V	69
Table 50.	301167 - Light / Speaker Conduit	69
Table 51.	302140 - Potted Wire Harness, Pulser 3/V	70
Table 52.	301809 - Potted Wire Harness, Junction Box 3/V	70
Table 53.	301237 - Wire Harness, Call Button	70
Bezel Module		71
Table 54.	Bezel Module 3/V Push To Start Button	72
Table 55.	887192 - Display	76
Electronic Head Module		77
Table 56.	Electronic Head Part Usage 3/V	79
Table 57.	887557-001 - Electronic Head Module 3/V Non Cat	81
Table 58.	887557-002 - Electronic Head Module 3/V cat	82
Table 59.	887557-003 & 005 thru 025 - Electronic Head Module 3/V Wayne Trac	83
Table 60.	887557-004 - Electronic Head Module 3/V Wayne Vac	84
Table 61.	887559-001 thru 020 - Wayne Trac Enclosure Assy, 3/V Narrow	87
Table 62.	886161-001 thru -005 - Bezel Assy, Wayne Trac, 3/V Narrow	90
Table 63.	886148-001 - CPM CAT Module	95
Table 64.	CPM 2/Vista, Graphics Display, DES	96
Table 65.	CPM 2/Vista, Graphics Display, ND1	96
Table 66.	CPM Graphics Display DES Ready	97
Table 67.	CPM Graphics Display Secured	97
Table 68.	886145-001 - CPM & KDC Graphics Display	98
Table 69.	883325 - CPM Keypad Assy, DES & ND1	98
Table 70.	883223 - CPM Keypad Assy, DES Ready	101
Table 71.	887802-001 - Panel Assy, Preset 3/V	104

LIST OF FIGURES

Figure 1.	1-7195-C - Graphics Placement Drawing, Vista Series	1
Figure 2.	1-47901-DWG - Housing Module	5
Figure 3.	2-302004-DWG - Frame Module 3/V Narrow Remote	7
Figure 4.	5-302004-DWG - Frame Module 3/V Narrow Suction	9
Figure 5.	2-301655-DWG - Door Module 3/V Narrow	13
Figure 6.	9-302000-DWG - Hydraulics Module 3/V387D	15
Figure 7.	11-302000-DWG - Hydraulics Module 3/V580D, 3/V585D	19
Figure 8.	19-302000-DWG - Hydraulics Module 3/V389D	23
Figure 9.	27-302000-DWG - Hydraulics Module 3/V580D/T	27
Figure 10.	55-302000-DWG - Hydraulics Module 3/V388D	31
Figure 11.	1-47917-DWG - iMeter Module, Remote	33
Figure 12.	1-47918-DWG - iMeter Module, 3/V Remote, Single Sided	35
Figure 13.	1-47919-DWG - iMeter Module, 3/V Suction	37
Figure 14.	1-47927-DWG - iMeter/Pulser Assy	39
Figure 15.	1-302001-DWG - Balance Vapor Recovery Module	43
Figure 16.	7-302001-DWG - Balance Vapor Recovery Module, Low Outlet	45
Figure 17.	8-302001-DWG - Balance Vapor Recovery Module, Low Outlet Single Sided	47
Figure 18.	13-302001-DWG - Balance Vapor Recovery Module Suction	49
Figure 19.	3-302002-DWG - Wayne Vac Vapor Recovery Module	51
Figure 20.	4-302002-DWG - Wayne Vac Vapor Recovery Module	53
Figure 21.	9-302002-DWG - Wayne Vac Vapor Recovery Module	55
Figure 22.	10-302002 - Wayne Vac Vapor Recovery Module	57
Figure 23.	1-47820-DWG - Nozzle Boot Remote	61
Figure 24.	4-47820-DWG - Nozzle Boot Suction	63
Figure 25.	2-302003 - Electrical Module 3/V Remote Narrow	65
Figure 26.	4-302003-DWG - Electrical Module 3/V Suction Narrow	67
Figure 27.	2-47984-DWG - Bezel Module 3/V Narrow	71
Figure 28.	887192-XXX - Display Assy	75
Figure 29.	887557-S1-CFG - Electronic Head Module 3/V Narrow	77
Figure 30.	887557-S2-CFG - Electronic Head Module 3/V Narrow	78
Figure 31.	887559-S1-CFG - Wayne Trac Enclosure Assy, 3/V Narrow	85
Figure 32.	887559-S2-CFG - Wayne Trac Enclosure Assy, 3/V Narrow	86
Figure 33.	886161-CFG - Bezel Assy, Wayne Trac Authorize Light, 3/V Narrow	89
Figure 34.	881783-S1-CFG - CPM Bezel Assembly	91
Figure 35.	881783-S2-CFG - CPM Bezel Assembly	92
Figure 36.	881783-S3-CFG - CPM Bezel Assembly	93
Figure 37.	881783-S4-CFG - CPM Bezel Assembly	94
Figure 38.	887802-XXX - Panel Assy, Preset 3/V	103

TABLE 1. 1-7195-C - GRAPHICS PLACEMENT REFERENCE TABLE, VISTA SERIES

Item #	Part Description	Part Base # Wide (1/V)	Module Base # Wide (1/V)	Part Base # Wide (iMeter) (2/V)	Module Base # Wide (iMeter) (2/V)	Part Base # Wide (3/V)	Module Base # Wide (3/V)	Part Base # Narrow (1/V)	Module Base # Narrow (1/V)	Part Base # Narrow (iMeter) (2/V)	Module Base # Narrow (iMeter) (2/V)	Part Base # Narrow (3/V)	Module Base # Narrow (3/V)	Associated Hardware
G1A	TOP COVER	47412	47809	47412	47901	47412	47901	47412	47809	47412	47901	47412	47901	511096
G1B	INNER SHEATH	47545, 47674 (V STYLE ONLY)	47809	47545, 47674 (V STYLE ONLY), 48020	47901	48020	47901	47460	47809	47460	47901	48020	47901	918291
G1C	TOP PLATE	47661	47812	47893	47898	302299	302004	47663, 45520 (HOSE RETRAC-TOR)	47829	47867	47898	302300	302004	
G1D	COLUMN SHEATH	47400	47809	47400	47901	47400	47901	47400	47809	47400	47901	47400	47901	N/A
G2A	LOWER COVER	47662, 47882 (X1/V590, V591 ONLY)	47809	47902	47901	47902	47901	47671	47809	47902	47901	47902	47901	511297
G2B	VAPOR BARRIER	47800		301126	47898	301125	302004	47800		301126	47898	301125	302004	
G2C	BASE HALF	47386	47812	47866	47812	301594		47386	47829	47866	47812	301594		N/A
GF3A	2-PC UPPER DOOR	47401	47817	47401	47926	47401	47926	47419	47817	47419	47926	47419	47926	N/A
GF3B	2-PC LOWER DOOR	47371	47817	47371	47926	47371	47926	47420	47817	47420	47926	47420	47926	N/A
GF3C	1-PC DOOR	47478	47819	47478	301655	47478	301655	47518	47817	47518	301655	47518	301655	N/A
GF3D	1-PC WIDE DOOR	48044		48044	301655	48044	301655							
GF3E	1-PC NARROW DOOR							47518		47518	301655	47518	301655	
G4	DIAL FACE	39970, 39971 (CASH/CREDIT)	300113, 300114	39970, 39971, 130046		39970, 39971, 130046		39970, 39971 (CASH/CREDIT)	300113, 300114	39970, 39971, 130046		39970, 39971, 130046		916907

TABLE 1. 1-7195-C - GRAPHICS PLACEMENT REFERENCE TABLE, VISTA SERIES, continued

Item #	Part Description	Part Base # Wide (1/V)	Module Base # Wide (1/V)	Part Base # Wide (iMeter) (2/V)	Module Base # Wide (iMeter) (2/V)	Part Base # Wide (3/V)	Module Base # Wide (3/V)	Part Base # Narrow (1/V)	Module Base # Narrow (1/V)	Part Base # Narrow (iMeter) (2/V)	Module Base # Narrow (iMeter) (2/V)	Part Base # Narrow (3/V)	Module Base # Narrow (3/V)	Associated Hardware
G5	AD PANEL	300202, 300203, 300212, 300211, 47434, 45432, 45436	OCS	LTS - 301772, 301771, 301770 PTS - 301694, 301769, 47987, 47988, 47999, 48000, 48001		SAME AS IMETER		300189, 300214, 47532, 47533	OCS	LTS - 301773, 301774 PTS - 301775, 48002, 48003, 48004, 48005, 48006		SAME AS IMETER		N/A
G5.1	AD PANEL DIVIDERS	2-129812-XXX	OCS	N/A		N/A		2-129812-XXX	OCS			N/A		N/A
G6	ACTUATOR	201800	OCS	129999		129999		201800	OCS	129999		129999		N/A
G7	ALL SHIP LOOSE DECALS													N/A
G8	ALL FACTORY INSTALL DECALS													N/A
G10	BLANK BEZEL PANEL	A47475	N/A	A47475		A47475		A47475	N/A	A47475		A47475		N/A
G10A	INSTRUCTION DECAL	39972	OCS	39972		39972		39972	OCS	39972		39972		N/A
G10B	CALL BUTTON OVERLAY	47535		47985		47985		47985		47985		47985		N/A
G11A	HEAD SHEATH	47543	47815	47951	47901	47951	47901	47392	47830	47977	47901	47977	47901	N/A
G12	NOZZLE COLLAR	47377	47820	47377	48020	47377	48020	47377	47820	47377	48020	47377	48020	N/A
G13A	PRESET - KEY-PAD DECAL	201780		201780				201780		201780				N/A
G13B	PRESET - DIS-PLAY DECAL	201798		201798				201798		201798				N/A
G13C	PRESET - INSTRUCTION DECAL	201801		201801		887804		201801		201801		887804		N/A
G14	BEZEL HINGE	202010		202010										

TABLE 1. 1-7195-C - GRAPHICS PLACEMENT REFERENCE TABLE, VISTA SERIES, continued

Item #	Part Description	Part Base # Wide (1/V)	Module Base # Wide (1/V)	Part Base # Wide (iMeter) (2/V)	Module Base # Wide (iMeter) (2/V)	Part Base # Wide (3/V)	Module Base # Wide (3/V)	Part Base # Narrow (1/V)	Module Base # Narrow (1/V)	Part Base # Narrow (iMeter) (2/V)	Module Base # Narrow (iMeter) (2/V)	Part Base # Narrow (3/V)	Module Base # Narrow (3/V)	Associated Hardware
G15	PUSH FOR ATTENDANT DECAL									130038	47984	130038	47984	
G16	DOOR PULL ASSY	918676	48044	918676	48044	48044	48044	918676	47518	918676	47518	918676	47518	
G17	HOSE RETRAC-TOR BRACKET	39815		39815				39815		39815		39815		

NOTE: Many Module Drawings refer to the 1-7195-C - Graphics Placement Drawing. The part numbers shown are a generic base part number. Call Wayne Service Parts for specific part number.

Housing Module

1-47901-dwg-A

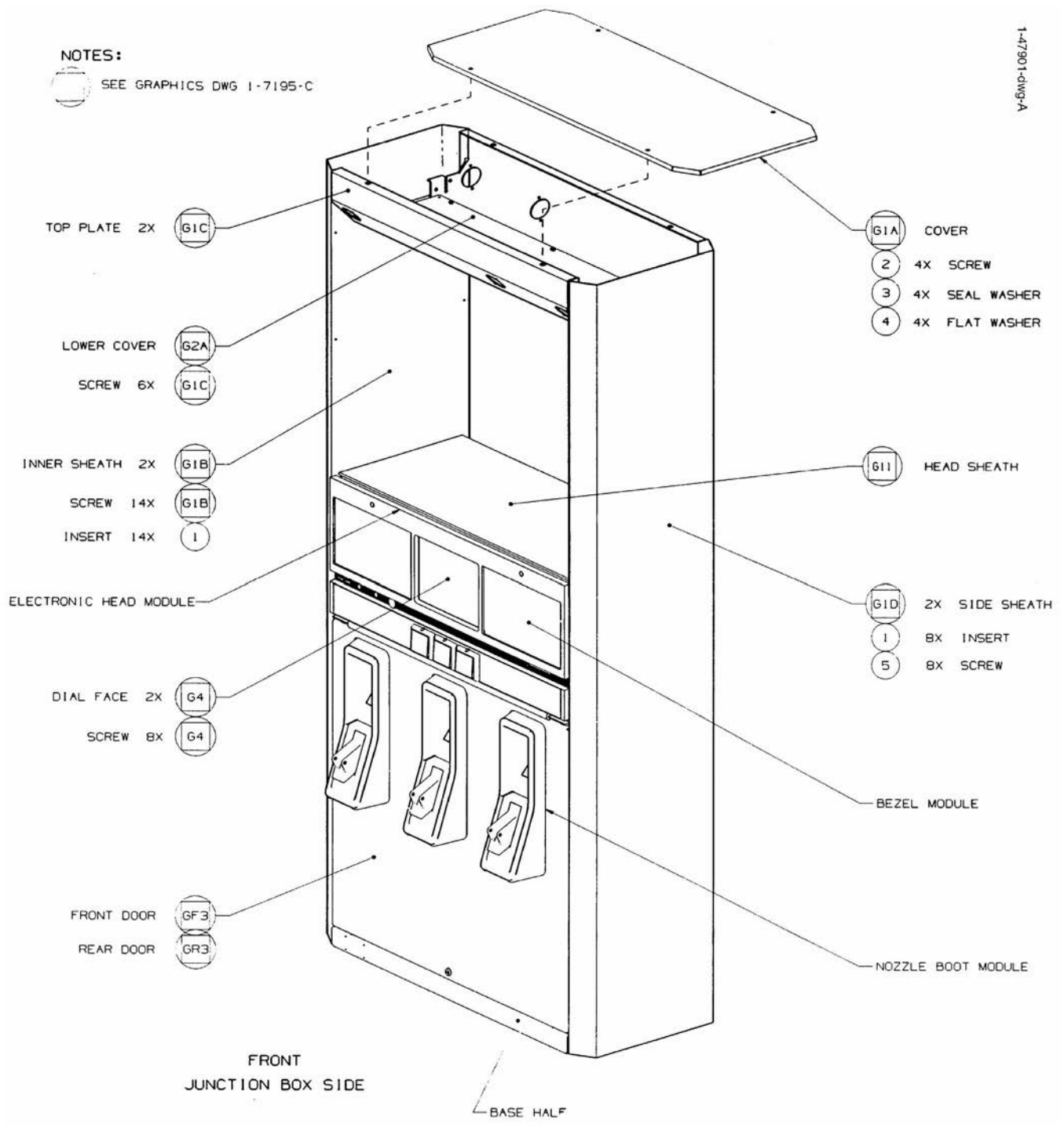



FIGURE 2. 1-47901-DWG - HOUSING MODULE

TABLE 2. 1-47901 - HOUSING MODULE, IMETER

Item No.	Part No.	Qty.	Description
	001-047901-		MOD,HOUSING-GHM
DWG	001-047901-DWG		MOD,HOUSING-GHM
	001-007195-00C		GUIDE,GRAPHICS PLACEMENT (SEE TABLE 1.)
1	-918590-	22	PLASTIC THREAD INSERT
2	-511096-	4	HHC S5/16-18X7/8
3	-916900-	4	WASHER-SEALING
4	-511781-	4	FLAT W7/16X1X.070/.090CD
5	-918291-	8	PHPH S#8 X 1/2 BLACK

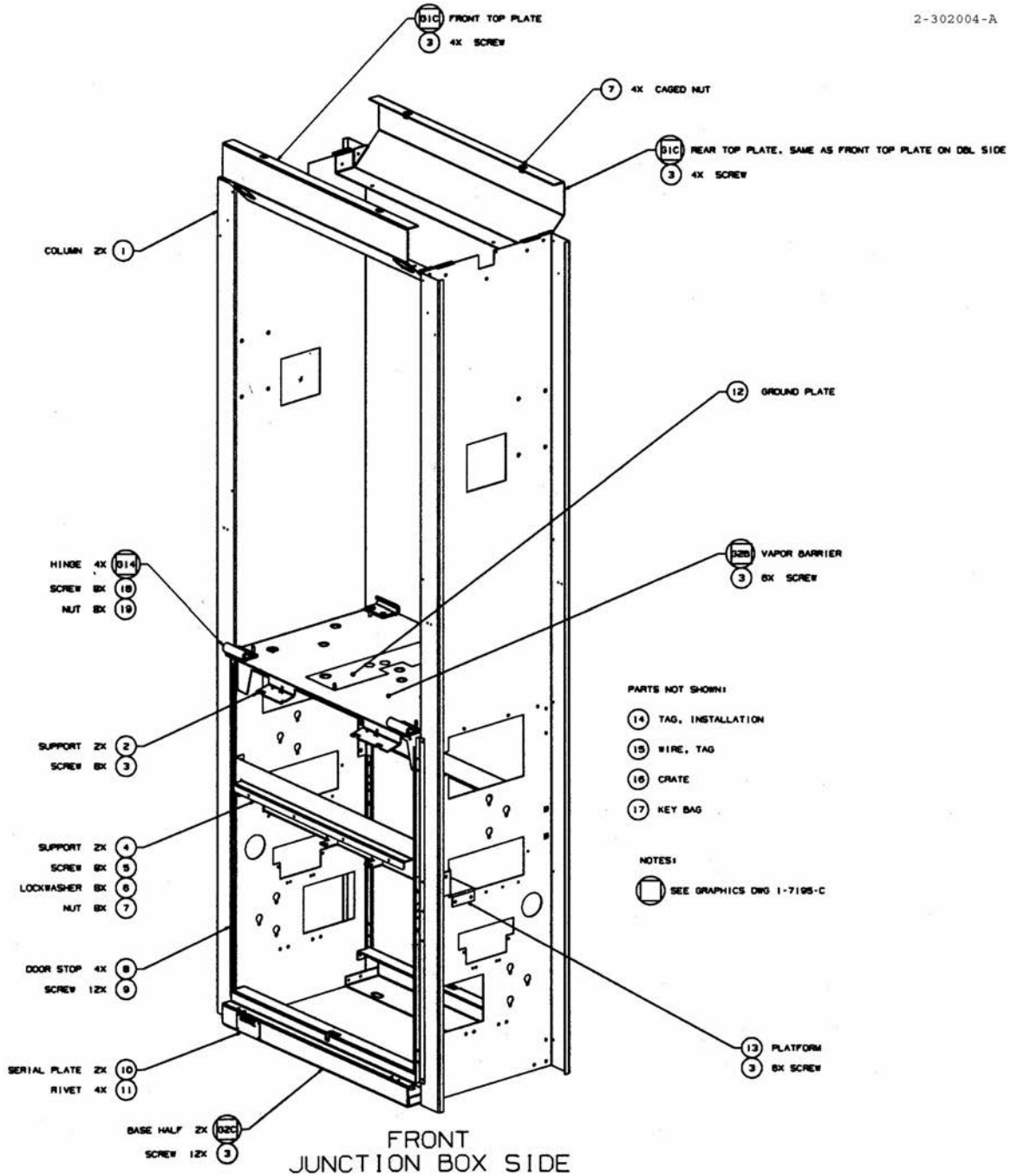
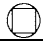


FIGURE 3. 2-302004-DWG - FRAME MODULE 3/V NARROW REMOTE

TABLE 3. 2-302004 - FRAME MODULE 3/V NARROW REMOTE

Item No.	Part No.	Qty.	Description
	002-302004-		MOD,FRAME NARROW REMOTE 3
	001-007195-00C		GUIDE,GRAPHICS PLACEMENT
DWG	002-302004-DWG		MOD,FRAME NARROW REMOTE 3
1	001-301633-	2	COLUMN,ADA GHM VISTA
2	003-047594-	2	SUPPORT, V BARRIER
3	-918513-	42	SCREW,SHAKEPROOF TAP/R TH
4	002-047592-	2	SUPPORT, LOWER NOZZLE
5	-507284-	8	BLT 5/16-18X3/4 HHCSUNG2C
6	-902017-	8	WSHR LK 5/16X1/8X1/16 SPL
7	-918161-	12	N5/16-18CAGED TINN
8	002-047399-	4	DOOR STOP
9	-918291-	12	PHPH S#8 X 1/2 BLACK
10	003-200723-	1	PLT,PATENT & SERIAL NUMBE
11	005-916433-	4	POP RIVET DOME HD. 1/8"
12	001-301150-	1	PLATE,GROUND GLOBAL V.B.
13	002-301124-	1	PLATFORM,STRAINER
14	-105983-	1	TAG-INSTALLATION INSTR.
15	-907528-	1	WIRE M#26 8 1/2LONG TAG
16	-047414-	1	ASSY. PACKING CASE
17	-905186-	1	BAG KEY,CLOTH
18	-507667-	8	FSHM S1/4-20X5/8
19	-918210-	8	NUT 1/4-20 HXNTLKSTZN ELA

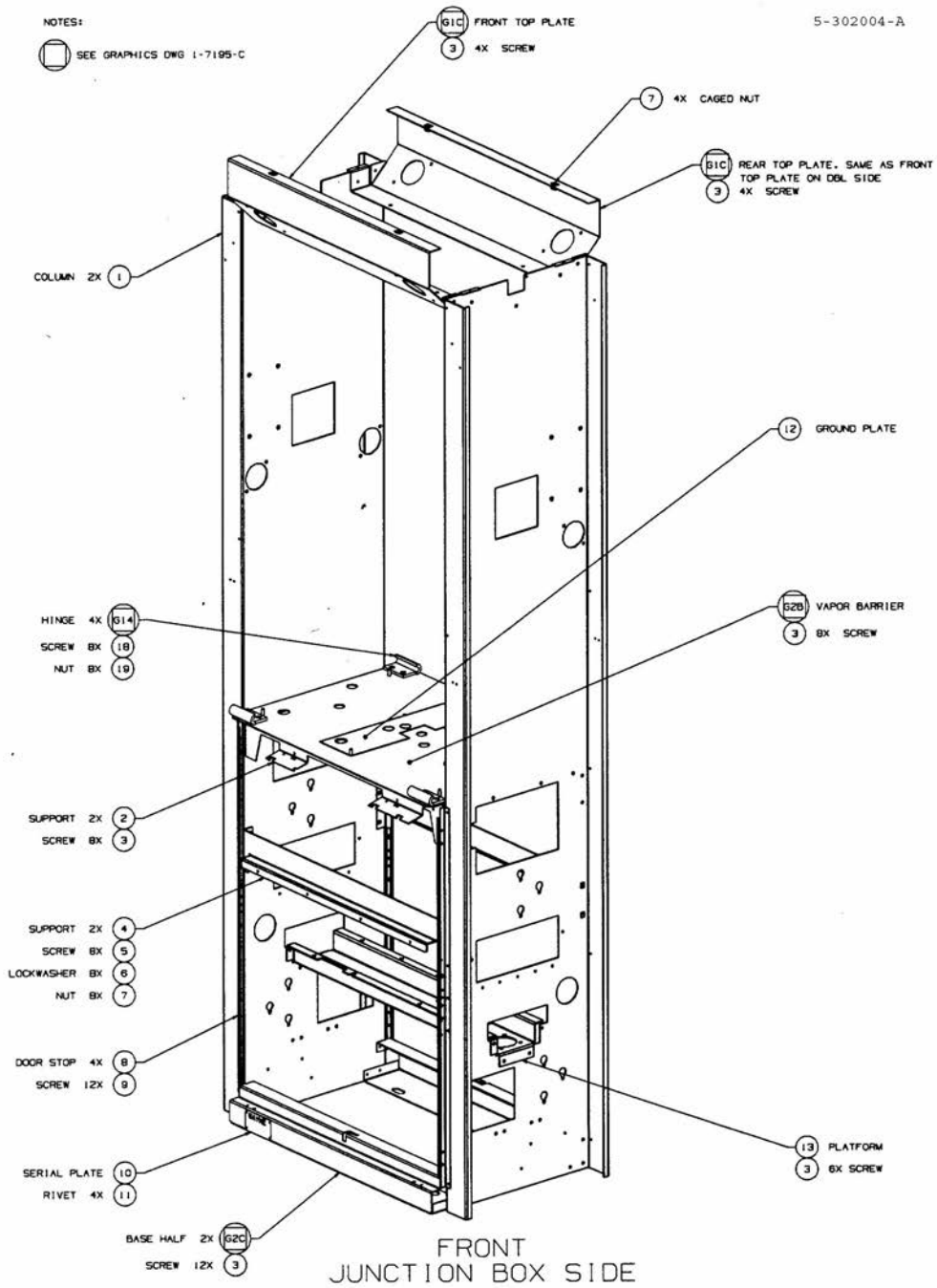


FIGURE 4. 5-302004-DWG - FRAME MODULE 3/V NARROW SUCTION

TABLE 4. 5-302004 - FRAME MODULE 3/V NARROW SUCTION


Item No.	Part No.	Qty.	Description
	005-302004-		MOD,FRAME SUC NARROW
DWG	005-302004-DWG		MOD,FRAME SUC NARROW
	001-007195-00C		GUIDE,GRAPHICS PLACEMENT
1	001-301633-	2	COLUMN,ADA GHM VISTA
2	003-047594-	2	SUPPORT, V BARRIER
3	-918513-	42	SCREW,SHAKEPROOF TAP/R TH
4	002-047592-	2	SUPPORT, LOWER NOZZLE
5	-507284-	8	BLT 5/16-18X3/4 HHCSUNG2C
6	-902017-	8	WSHR LK 5/16X1/8X1/16 SPL
7	-918161-	12	N5/16-18CAGED TINN
8	002-047399-	4	DOOR STOP
9	-918291-	12	PHPH S#8 X 1/2 BLACK
10	003-200723-	1	PLT,PATENT & SERIAL NUMBE
11	005-916433-	4	POP RIVET DOME HD. 1/8"
12	001-301150-	1	PLATE,GROUND GLOBAL V.B.
13	002-301767-	1	PLATFORM,CPU/MOTOR,29"GHM
14	-105983-	1	TAG-INSTALLATION INSTR.
15	-907528-	1	WIRE M#26 8 1/2LONG TAG
16	-047414-	1	ASSY. PACKING CASE
17	-905186-	1	BAG KEY,CLOTH
18	-507667-	8	FSHM S1/4-20X5/8
19	-918210-	8	NUT 1/4-20 HXNTLKSTZN ELA

TABLE 5. 301125 - VAPOR BARRIER 3/V


Item No.	Part No.	Description/Model
	1-7195-C	GRAPHICS PLACEMENT DWG (SEE FIGURE 1.)
G2B	1-301125	VAPOR BARRIER 3 PRD OR LESS (EXCEPT 590, 591)
G2B	2-301125	VAPOR BARRIER NARROW REMOTE 2 PRD OR LESS
G2B	3-301125	VAPOR BARRIER 4 PRD
G2B	4-301125	VAPOR BARRIER (590, 591 ONLY)
G2B	5-301125	VAPOR BARRIER NARROW SUCTION 2 PRD OR LESS

TABLE 6. 48011 - TOP PLATE 3/V



Item No.	Part No.	Description	Qty.	Model
	1-7195-C	GRAPHICS PLACEMENT DWG (SEE FIGURE 1.)		
G1C	3-48011-J21	FRAME-TOP PLATE	2	V390, V590 (1 FOR SINGLE SIDED)
G1C	2-48011-J21	FRAME-TOP PLATE	2	V399, V490/U, V595 (1 FOR SINGLE SIDED)
G1C	5-48011-J21	FRAME-TOP PLATE	2	V595/U (1 FOR SINGLE SIDED)
G1C	5-47893-J21	FRAME-TOP PLATE	1	SINGLE SIDED WIDE BLANK
G1C	1-48011-J21	FRAME-TOP PLATE	2	V390/U, V590/U (1 FOR SINGLE SIDED)
G1C	1-48029-J21	FRAME-TOP PLATE	2	V387, V580, V585
G1C	2-48029-J21	FRAME-TOP PLATE	2	V389
G1C	4-47867-J21	FRAME-TOP PLATE	1	SINGLE SIDED NARROW BLANK
G1C	1-48029-J21	FRAME-TOP PLATE	2	V387, V580, V585
G1C	4-48011-J21	FRAME-TOP PLATE	2	V490, V591, (1 FOR SINGLE SIDED)

TABLE 7. 301594 - BASE HALF 3/V

Item No.	Part No.	Qty.	Description/Model
	1-7195-C		GRAPHICS PLACEMENT DWG (SEE FIGURE 1.)
G2C	1-301594-J21	2	BASE HALF 3/V WIDE
G2C	2-301594-J21	2	BASE HALF 3/V NARROW

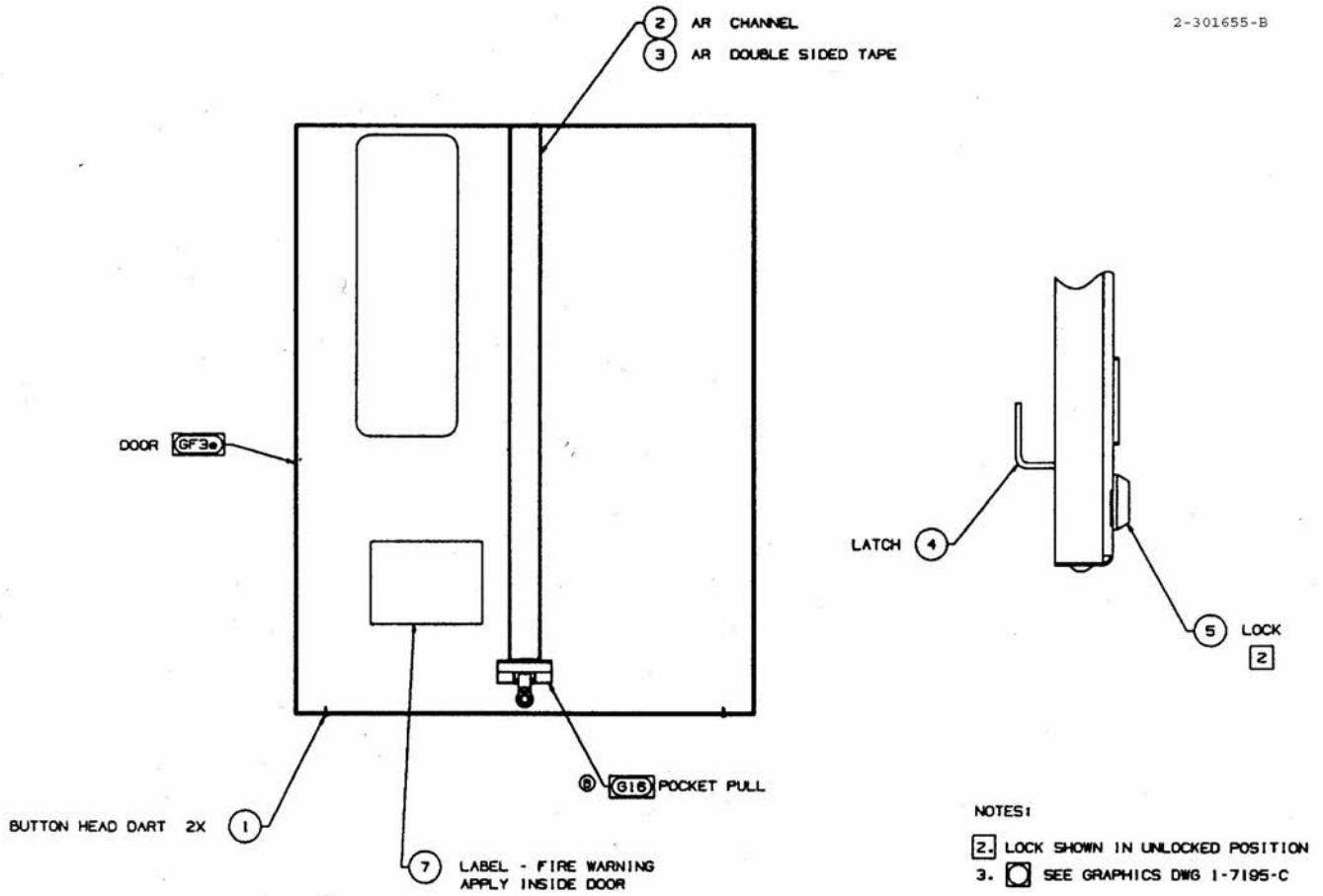


FIGURE 5. 2-301655-DWG - DOOR MODULE 3/4 NARROW

TABLE 8. 2-301655 - DOOR MODULE 3/V NARROW

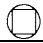
Item No.	Part No.	Qty.	Description
	002-301655-		MOD DOOR NARROW GHM 1 PC.
	001-007195-00C		GUIDE,GRAPHICS PLACEMENT
DWG	002-301655-DWG		MOD,DOOR NARROW GHM 1 PC.
1	-128993-	2	BUTTON HEAD DART
2	002-201761-	1	CHANNEL-DOOR
3	003-913029-		ROLL TAPE 2" X 1/16" DB C
4	004-129642-	1	LATCH - DOOR LOCK
5	-127417-	1	LOCK KEY
7	-009233-00B	1	LABEL-FIRE WARNING

TABLE 9. 47518 - DOOR USAGE CHART

Part No.	Usage
1-47518	SINGLE SIDED, STAINLESS STEEL
2-47518	SINGLE SIDED
3-47518	TWO PRODUCT
4-47518	TWO PRODUCT, STAINLESS STEEL
5-47518	ONE PRODUCT
6-47518	VARIABLE BLENDER
7-47518	ONE PRODUCT, STAINLESS STEEL
8-47518	VARIABLE BLENDER, STAINLESS STEEL
9-47518	ONE PRODUCT W/TOTALIZER OPENING
10-47518	ONE PRODUCT W/TOTALIZER OPENING W/RECESSED HANDLE OPENING
11-47518	SINGLE SIDED W/RECESSED HANDLE OPENING
12-47518	TWO PRODUCT W/RECESSED HANDLE OPENING
13-47518	ONE PRODUCT W/O TOTALIZER OPENING W/RECESSED HANDLE OPENING
14-47518	ONE PRODUCT W/O TOTALIZER OPENING W/RECESSED HANDLE OPENING, STAINLESS STEEL
15-47518	SINGLE SIDED W/RECESSED HANDLE OPENING, STAINLESS STEEL
16-47518	TWO PRODUCT W/RECESSED HANDLE OPENING, STAINLESS STEEL

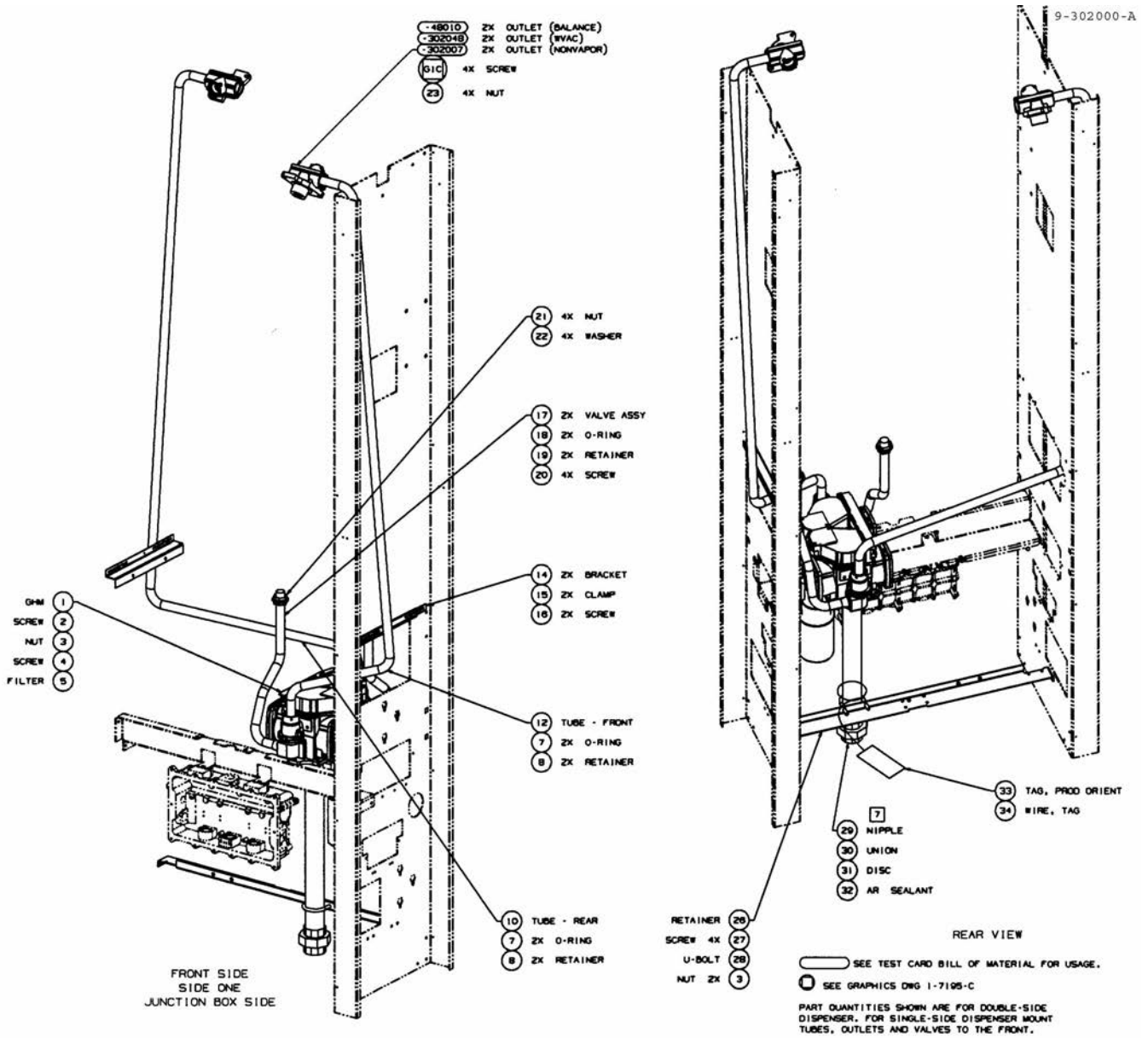


FIGURE 6. 9-302000-DWG - HYDRAULICS MODULE 3/V387D

TABLE 10. 9-302000 - HYDRAULICS MODULE 3/V387D

Item No.	Part No.	Qty.	Description
	009-302000-		MOD,HYD 3/V387D
DWG	009-302000-DWG		MOD,HYD 3/V387D
	001-007195-00C		GUIDE,GRAPHICS PLACEMENT (SEE TABLE 1.)
	48010	2	BALANCE OUTLET (SEE TABLE 29.)
	302048	2	WAYNE VAC OUTLET
	302007	2	NON-VAPOR OUTLET
1	002-047917-	1	MOD,GHM IGEM REMOTE (SEE TABLE 19.)
2	-511096-	1	HHC S5/16-18X7/8
3	-509584-	3	NUT 5/16-18 HXNTMSSTZN
4	001-921084-	1	SCREW,HEX WASHER HEAD MAC
5	-907407-	1	FILTER
7	001-921130-	2	O-RING
8	003-301748-	2	LOCKPIN,7/8 TUBE
10	001-301974-	1	TUBE,FLNG,RR,3/V389
12	001-301971-	1	TUBE,RF 3/V580
14	001-301924-	2	RETAINER,DBL,FLANGE TUBE
15	-918463-	2	CLAMP - TUBE SUPPORT
16	-918479-	2	SCREW HSWH #12-14 X 3/4
17	001-302005-	2	MOD,VALVE ASSY
18	-905817-	2	"O"RING
19	001-202046-	2	CLAMP,SKINNER VALVE
20	001-921053-	4	SHCS M6 X 1 X 16MM
21	005-129498-	4	LOCKNUT,CONDUIT
22	-126817-	4	WSHR .875X1.625X.062 FWST
23	-513317-	4	NUT 1/4-20 LK TYPE F .630
26	002-302145-	1	RETAINER,INLET NARROW GHM
27	-918513-	4	SCREW,SHAKEPROOF TAP/R TH
28	002-127422-	1	U-BOLT
29	018-127756-	1	NIPPLE,1-1/2 X 18
30	-512101-	1	UNION 1-1/2 F.F.
31	-200403-	1	DISC
32	-911579-00R		SEALING COMPOUND
33	001-001897-00A	1	TAG,PRODUCT ORIENT.FOR IN
34	-907528-	2	WIRE M#26 8 1/2LONG TAG
35	-029314-	1	TAG
36	-905410-	2	SEAL WIRE&LEAD

TABLE 11. 10-302000 - HYDRAULICS MODULE 3/V387D/R

Item No.	Part No.	Qty.	Description
	010-302000-		MOD,HYD 3/V387D/R
DWG	009-302000-DWG		MOD,HYD 3/V387D
	001-007195-00C		GUIDE,GRAPHICS PLACEMENT (SEE TABLE 1.)
	48010	2	BALANCE OUTLET (SEE TABLE 29.)
	302048	2	WAYNE VAC OUTLET
	302007	2	NON-VAPOR OUTLET
1	003-047918-	1	MOD,GHM IGEM REMOTE SS FR (SEE TABLE 21.)
2	-511096-	1	HHC S5/16-18X7/8
3	-509584-	3	NUT 5/16-18 HXNTMSSTZN
4	001-921084-	1	SCREW,HEX WASHER HEAD MAC
5	-907407-	1	FILTER
7	001-921130-	1	O-RING
8	003-301748-	1	LOCKPIN,7/8 TUBE
12	001-301971-	1	TUBE,RF 3/V580
14	001-301924-	1	RETAINER,DBL,FLANGE TUBE
15	-918463-	1	CLAMP - TUBE SUPPORT
16	-918479-	1	SCREW HSWH #12-14 X 3/4
17	001-302005-	1	MOD,VALVE ASSY
18	-905817-	1	"O"RING
19	001-202046-	1	CLAMP,SKINNER VALVE
20	001-921053-	2	SHCS M6 X 1 X 16MM
21	005-129498-	2	LOCKNUT,CONDUIT
22	-126817-	2	WSHR .875X1.625X.062 FWST
23	-513317-	2	NUT 1/4-20 LK TYPE F .630
26	002-302145-	1	RETAINER,INLET NARROW GHM
27	-918513-	4	SCREW,SHAKEPROOF TAP/R TH
28	002-127422-	1	U-BOLT
29	018-127756-	1	NIPPLE,1-1/2 X 18
30	-512101-	1	UNION 1-1/2 F.F.
31	-200403-	1	DISC
32	-911579-00R		SEALING COMPOUND
33	001-001897-00A	1	TAG,PRODUCT ORIENT.FOR IN
34	-907528-	2	WIRE M#26 8 1/2LONG TAG
35	-029314-	1	TAG
36	-905410-	2	SEAL WIRE&LEAD

11-302000-B

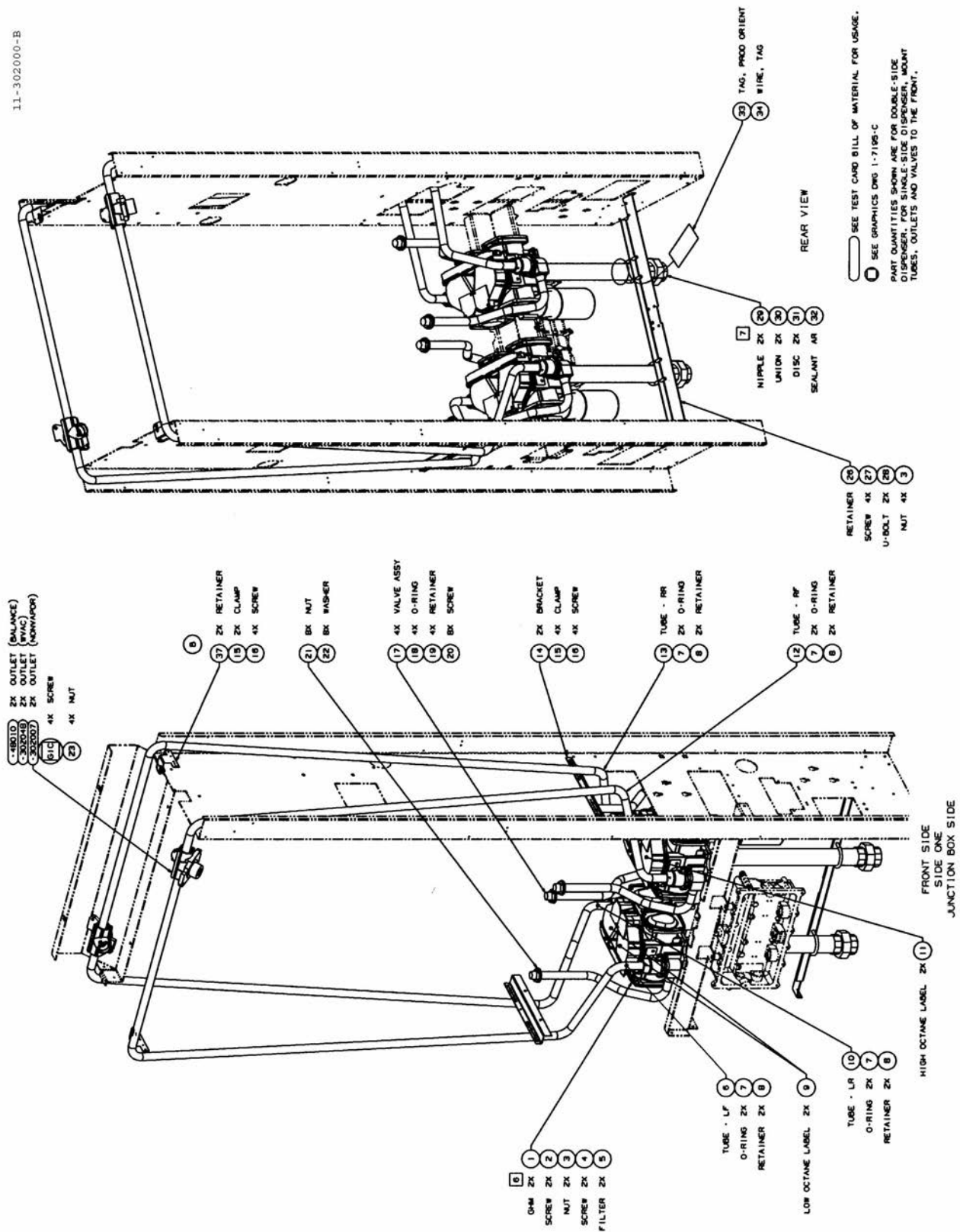


FIGURE 7. 11-302000-DWG - HYDRAULICS MODULE 3/V580D, 3/V585D

TABLE 12. 11-302000 - HYDRAULICS MODULE 3/V580D

Item No.	Part No.	Qty.	Description
	011-302000-		MOD,HYD 3/V580D
DWG	011-302000-DWG		MOD,HYD 3/V580D
	001-007195-00C		GUIDE,GRAPHICS PLACEMENT (SEE TABLE 1.)
	48010	2	BALANCE OUTLET (SEE TABLE 29.)
	302048	2	WAYNE VAC OUTLET
	302007	2	NON-VAPOR OUTLET
1	002-047917-	2	MOD,GHM IGEM REMOTE (SEE TABLE 19.)
2	-511096-	2	HHC S5/16-18X7/8
3	-509584-	6	NUT 5/16-18 HXNTMSSTZN
4	001-921084-	2	SCREW,HEX WASHER HEAD MAC
5	-907407-	2	FILTER
6	001-301970-	1	TUBE, LF 3/V580
7	001-921130-	8	O-RING
8	003-301748-	8	LOCKPIN,7/8 TUBE
9	-122438-	2	DECAL
10	001-301972-	1	TUBE,LR 3/V580
11	-122439-	2	DECAL
12	001-301971-	1	TUBE,RF 3/V580
13	001-301973-	1	TUBE,RR 3/V580
14	001-301924-	2	RETAINER,DBL,FLANGE TUBE
15	-918463-	6	CLAMP - TUBE SUPPORT
16	-918479-	8	SCREW HSWH #12-14 X 3/4
17	001-302005-	4	MOD,VALVE ASSY
18	-905817-	4	“O”RING
19	001-202046-	4	CLAMP,SKINNER VALVE
20	001-921053-	8	SHCS M6 X 1 X 16MM
21	005-129498-	8	LOCKNUT,CONDUIT
22	-126817-	8	WSHR .875X1.625X.062 FWST
23	-513317-	4	NUT 1/4-20 LK TYPE F .630
26	002-302145-	1	RETAINER,INLET NARROW GHM
27	-918513-	4	SCREW,SHAKEPROOF TAP/R TH
28	002-127422-	2	U-BOLT
29	018-127756-	2	NIPPLE,1-1/2 X 18
30	-512101-	2	UNION 1-1/2 F.F.
31	-200403-	2	DISC
32	-911579-00R		SEALING COMPOUND
33	001-001897-00A	1	TAG,PRODUCT ORIENT.FOR IN
34	-907528-	2	WIRE M#26 8 1/2LONG TAG
35	-029314-	1	TAG
36	-905410-	4	SEAL WIRE&LEAD
37	001-302298-	2	RETAINER,UPPER TUBE IGEM

TABLE 13. 12-302000 - HYDRAULICS MODULE 3/V580D/R

Item No.	Part No.	Qty.	Description
	012-302000-		MOD,HYD 3/V580D/R
DWG	011-302000-DWG		MOD,HYD 3/V580D
	001-007195-00C		GUIDE,GRAPHICS PLACEMENT (SEE TABLE 1.)
	48010	2	BALANCE OUTLET (SEE TABLE 29.)
	302048	2	WAYNE VAC OUTLET
	302007	2	NON-VAPOR OUTLET
1	003-047918-	2	MOD,GHM IGEM REMOTE SS FR (SEE TABLE 21.)
2	-511096-	2	HHC S5/16-18X7/8
3	-509584-	6	NUT 5/16-18 HXNTMSSTZN
4	001-921084-	2	SCREW,HEX WASHER HEAD MAC
5	-907407-	2	FILTER
6	001-301970-	1	TUBE, LF 3/V580
7	001-921130-	4	O-RING
8	003-301748-	4	LOCKPIN,7/8 TUBE
9	-122438-	1	DECAL
11	-122439-	1	DECAL
12	001-301971-	1	TUBE,RF 3/V580
14	001-301924-	2	RETAINER,DBL,FLANGE TUBE
15	-918463-	3	CLAMP - TUBE SUPPORT
16	-918479-	4	SCREW HSWH #12-14 X 3/4
17	001-302005-	2	MOD,VALVE ASSY
18	-905817-	2	"O"RING
19	001-202046-	2	CLAMP,SKINNER VALVE
20	001-921053-	4	SHCS M6 X 1 X 16MM
21	005-129498-	4	LOCKNUT,CONDUIT
22	-126817-	4	WSHR .875X1.625X.062 FWST
23	-513317-	4	NUT 1/4-20 LK TYPE F .630
26	002-302145-	1	RETAINER,INLET NARROW GHM
27	-918513-	4	SCREW,SHAKEPROOF TAP/R TH
28	002-127422-	2	U-BOLT
29	018-127756-	2	NIPPLE,1-1/2 X 18
30	-512101-	2	UNION 1-1/2 F.F.
31	-200403-	2	DISC
32	-911579-00R		SEALING COMPOUND
33	001-001897-00A	1	TAG,PRODUCT ORIENT.FOR IN
34	-907528-	2	WIRE M#26 8 1/2LONG TAG
35	-029314-	1	TAG
36	-905410-	4	SEAL WIRE&LEAD
37	001-302298-	1	RETAINER,UPPER TUBE IGEM

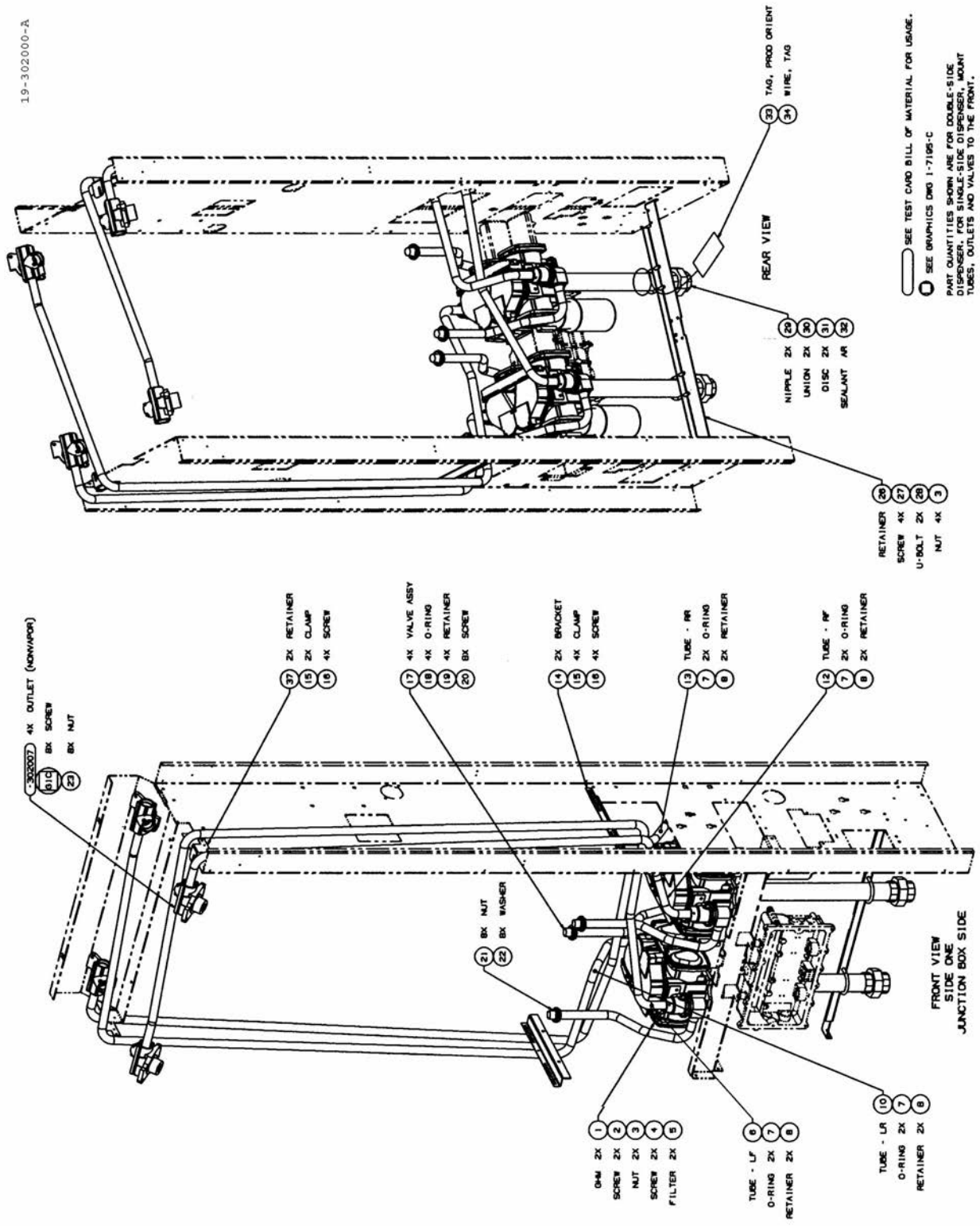


FIGURE 8. 19-302000-DWG - HYDRAULICS MODULE 3/V389D

TABLE 14. 19-302000 - HYDRAULICS MODULE 3/V389D

Item No.	Part No.	Qty.	Description
	019-302000-		MOD,HYD REMOTE,3/V389D
DWG	019-302000-DWG		MOD,HYD REMOTE,3/V389D
	001-007195-00C		GUIDE,GRAPHICS PLACEMENT (SEE TABLE 1.)
	48010	2	BALANCE OUTLET (SEE TABLE 29.)
	302048	2	WAYNE VAC OUTLET
	302007	2	NON-VAPOR OUTLET
1	002-047917-	2	MOD,GHM IGEM REMOTE (SEE TABLE 19.)
2	-511096-	2	HHC S5/16-18X7/8
3	-509584-	6	NUT 5/16-18 HXNTMSSTZN
4	001-921084-	2	SCREW,HEX WASHER HEAD MAC
5	-907407-	2	FILTER
6	001-302326-	1	TUBE,FLGD,LF,3/V389
7	001-921130-	8	O-RING
8	003-301748-	8	LOCKPIN,7/8 TUBE
10	001-302327-	1	TUBE,FLGD,LR,3/V389
12	001-301971-	1	TUBE,RF 3/V580
13	001-301974-	1	TUBE,FLNG,RR,3/V389
14	001-301924-	2	RETAINER,DBL,FLANGE TUBE
15	-918463-	6	CLAMP - TUBE SUPPORT
16	-918479-	8	SCREW HSWH #12-14 X 3/4
17	001-302005-	4	MOD,VALVE ASSY
18	-905817-	4	"O"RING
19	001-202046-	4	CLAMP,SKINNER VALVE
20	001-921053-	8	SHCS M6 X 1 X 16MM
21	005-129498-	8	LOCKNUT,CONDUIT
22	-126817-	8	WSHR .875X1.625X.062 FWST
23	-513317-	8	NUT 1/4-20 LK TYPE F .630
26	002-302145-	1	RETAINER,INLET NARROW GHM
27	-918513-	4	SCREW,SHAKEPROOF TAP/R TH
28	002-127422-	2	U-BOLT
29	018-127756-	2	NIPPLE,1-1/2 X 18
30	-512101-	2	UNION 1-1/2 F.F.
31	-200403-	2	DISC
32	-911579-00R		SEALING COMPOUND
33	001-001897-00A	1	TAG,PRODUCT ORIENT.FOR IN
34	-907528-	2	WIRE M#26 8 1/2LONG TAG
35	-029314-	1	TAG
36	-905410-	4	SEAL WIRE&LEAD
37	001-302298-	2	RETAINER,UPPER TUBE IGEM

TABLE 15. 20-302000 - HYRAULICS MODULE 3/V389D/R

Item No.	Part No.	Qty.	Description
	020-302000-		MOD,HYD REMOTE,3/V389D/R
DWG	019-302000-DWG		MOD,HYD REMOTE,3/V389D
	001-007195-00C		GUIDE,GRAPHICS PLACEMENT (SEE TABLE 1.)
	48010	2	BALANCE OUTLET (SEE TABLE 29.)
	302048	2	WAYNE VAC OUTLET
	302007	2	NON-VAPOR OUTLET
1	003-047918-	2	MOD,GHM IGEM REMOTE SS FR (SEE TABLE 21.)
2	-511096-	2	HHC S5/16-18X7/8
3	-509584-	6	NUT 5/16-18 HXNTMSSTZN
4	001-921084-	2	SCREW,HEX WASHER HEAD MAC
5	-907407-	2	FILTER
6	001-302326-	1	TUBE,FLGD,LF,3/V389
7	001-921130-	4	O-RING
8	003-301748-	4	LOCKPIN,7/8 TUBE
12	001-301971-	1	TUBE,RF 3/V580
14	001-301924-	2	RETAINER,DBL,FLANGE TUBE
15	-918463-	3	CLAMP - TUBE SUPPORT
16	-918479-	4	SCREW HSWH #12-14 X 3/4
17	001-302005-	2	MOD,VALVE ASSY
18	-905817-	2	"O"RING
19	001-202046-	2	CLAMP,SKINNER VALVE
20	001-921053-	4	SHCS M6 X 1 X 16MM
21	005-129498-	4	LOCKNUT,CONDUIT
22	-126817-	4	WSHR .875X1.625X.062 FWST
23	-513317-	4	NUT 1/4-20 LK TYPE F .630
26	002-302145-	1	RETAINER,INLET NARROW GHM
27	-918513-	4	SCREW,SHAKEPROOF TAP/R TH
28	002-127422-	2	U-BOLT
29	018-127756-	2	NIPPLE,1-1/2 X 18
30	-512101-	2	UNION 1-1/2 F.F.
31	-200403-	2	DISC
32	-911579-00R		SEALING COMPOUND
33	001-001897-00A	1	TAG,PRODUCT ORIENT.FOR IN
34	-907528-	2	WIRE M#26 8 1/2LONG TAG
35	-029314-	1	TAG
36	-905410-	4	SEAL WIRE&LEAD
37	001-302298-	2	RETAINER,UPPER TUBE IGEM

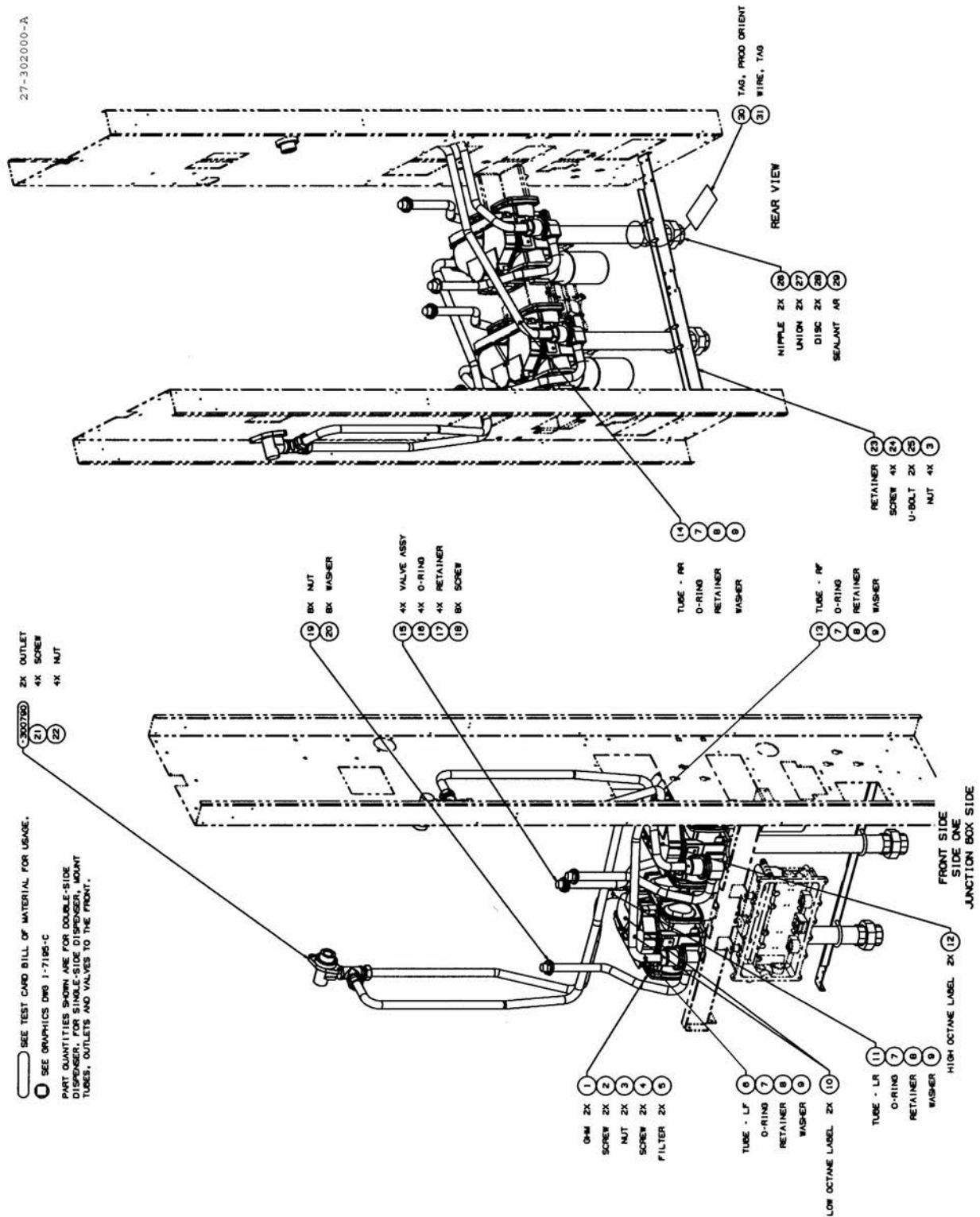


FIGURE 9. 27-302000-DWG - HYDRAULICS MODULE 3/V580D/T

TABLE 16. 27-302000 - HYDRAULICS MODULE 3/V580D/T

Item No.	Part No.	Qty.	Description
	027-302000-		MOD,HYD REMOTE -3/V580D/T
DWG	027-302000-DWG		MOD,HYD REMOTE,3/V580D/T
	001-007195-00C		GUIDE,GRAPHICS PLACEMENT (SEE TABLE 1.)
	-300790-		OUTLET (SEE TABLE 29.)
1	002-047917-	2	MOD,GHM IGEN REMOTE (SEE TABLE 19.)
2	-511096-	2	HHC S5/16-18X7/8
3	-509584-	6	NUT 5/16-18 HXNTMSSTZN
4	001-921084-	2	SCREW,HEX WASHER HEAD MAC
5	-907407-	2	FILTER
6	001-302307-	1	TUBE,BALANCE,LF 3/V580/T
7	001-921130-	4	O-RING
8	003-301748-	4	LOCKPIN,7/8 TUBE
9	-129762-	4	WASHER-FLARE
10	-122438-	2	DECAL
11	001-302309-	1	TUBE,BALANCE,LR,3/V580/T
12	-122439-	2	DECAL
13	001-302308-	1	TUBE,BALANCE,RF 3/V580/T
14	001-302310-	1	TUBE,BALANCE,RR,3/V580/T
15	001-302005-	4	MOD,VALVE ASSY
16	-905817-	4	"O"RING
17	001-202046-	4	CLAMP,SKINNER VALVE
18	001-921053-	8	SHCS M6 X 1 X 16MM
19	005-129498-	8	LOCKNUT,CONDUIT
20	-126817-	8	WSHR .875X1.625X.062 FWST
21	002-916553-	4	STUD - 1/4-20 X 7/8
22	-513317-	4	NUT 1/4-20 LK TYPE F .630
23	002-302145-	1	RETAINER,INLET NARROW GHM
24	-918513-	4	SCREW,SHAKEPROOF TAP/R TH
25	002-127422-	2	U-BOLT
26	018-127756-	2	NIPPLE,1-1/2 X 18
27	-512101-	2	UNION 1-1/2 F.F.
28	-200403-	2	DISC
29	-911579-00R		SEALING COMPOUND
30	001-001897-00A	1	TAG,PRODUCT ORIENT.FOR IN
31	-907528-	2	WIRE M#26 8 1/2LONG TAG
32	-029314-	1	TAG
33	-905410-	4	SEAL WIRE&LEAD

TABLE 17. 28-302000 - HYDRAULICS MODULE 3/V580D/RT

Item No.	Part No.	Qty.	Description
	028-302000-		MOD,HYD REMOTE 3/V580D/RT
DWG	027-302000-DWG		MOD,HYD REMOTE,3/V580D/T
	001-007195-00C		GUIDE,GRAPHICS PLACEMENT (SEE TABLE 1.)
	-300790-		OUTLET (SEE TABLE 29.)
1	003-047918-	2	MOD,GHM IGEN REMOTE SS FR (SEE TABLE 21.)
2	-511096-	2	HHC S5/16-18X7/8
3	-509584-	6	NUT 5/16-18 HXNTMSSTZN
4	001-921084-	2	SCREW,HEX WASHER HEAD MAC
5	-907407-	2	FILTER
6	001-302307-	1	TUBE,BALANCE,LF 3/V580/T
7	001-921130-	2	O-RING
8	003-301748-	2	LOCKPIN,7/8 TUBE
9	-129762-	2	WASHER-FLARE
10	-122438-	1	DECAL
12	-122439-	1	DECAL
13	001-302308-	1	TUBE,BALANCE,RF 3/V580/T
15	001-302005-	2	MOD,VALVE ASSY
16	-905817-	2	"O"RING
17	001-202046-	2	CLAMP,SKINNER VALVE
18	001-921053-	4	SHCS M6 X 1 X 16MM
19	005-129498-	4	LOCKNUT,CONDUIT
20	-126817-	4	WSHR .875X1.625X.062 FWST
21	002-916553-	4	STUD - 1/4-20 X 7/8
22	-513317-	4	NUT 1/4-20 LK TYPE F .630
23	002-302145-	1	RETAINER,INLET NARROW GHM
24	-918513-	4	SCREW,SHAKEPROOF TAP/R TH
25	002-127422-	2	U-BOLT
26	018-127756-	2	NIPPLE,1-1/2 X 18
27	-512101-	2	UNION 1-1/2 F.F.
28	-200403-	2	DISC
29	-911579-00R		SEALING COMPOUND
30	001-001897-00A	1	TAG,PRODUCT ORIENT.FOR IN
31	-907528-	2	WIRE M#26 8 1/2LONG TAG
32	-029314-	1	TAG
33	-905410-	4	SEAL WIRE&LEAD

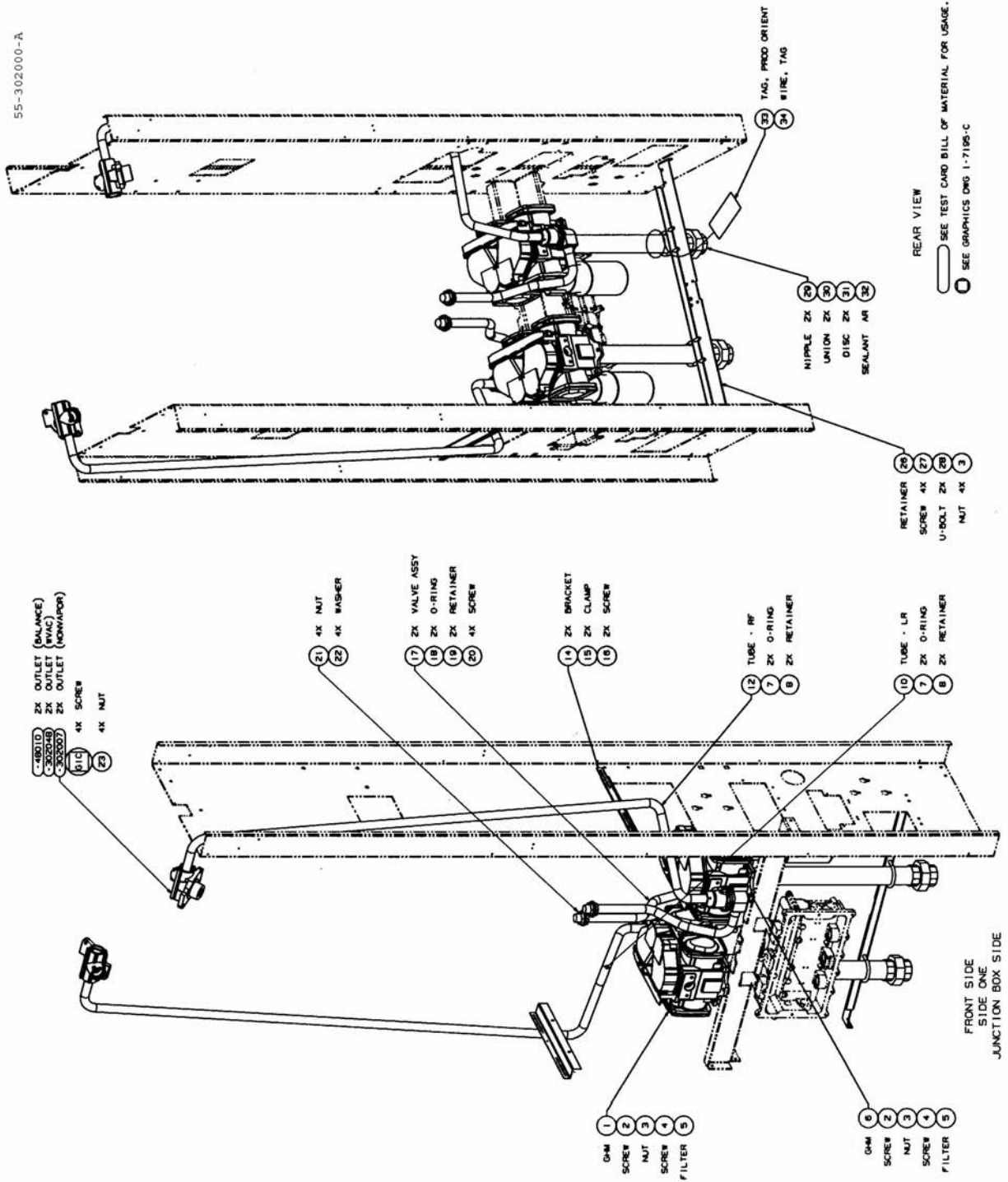
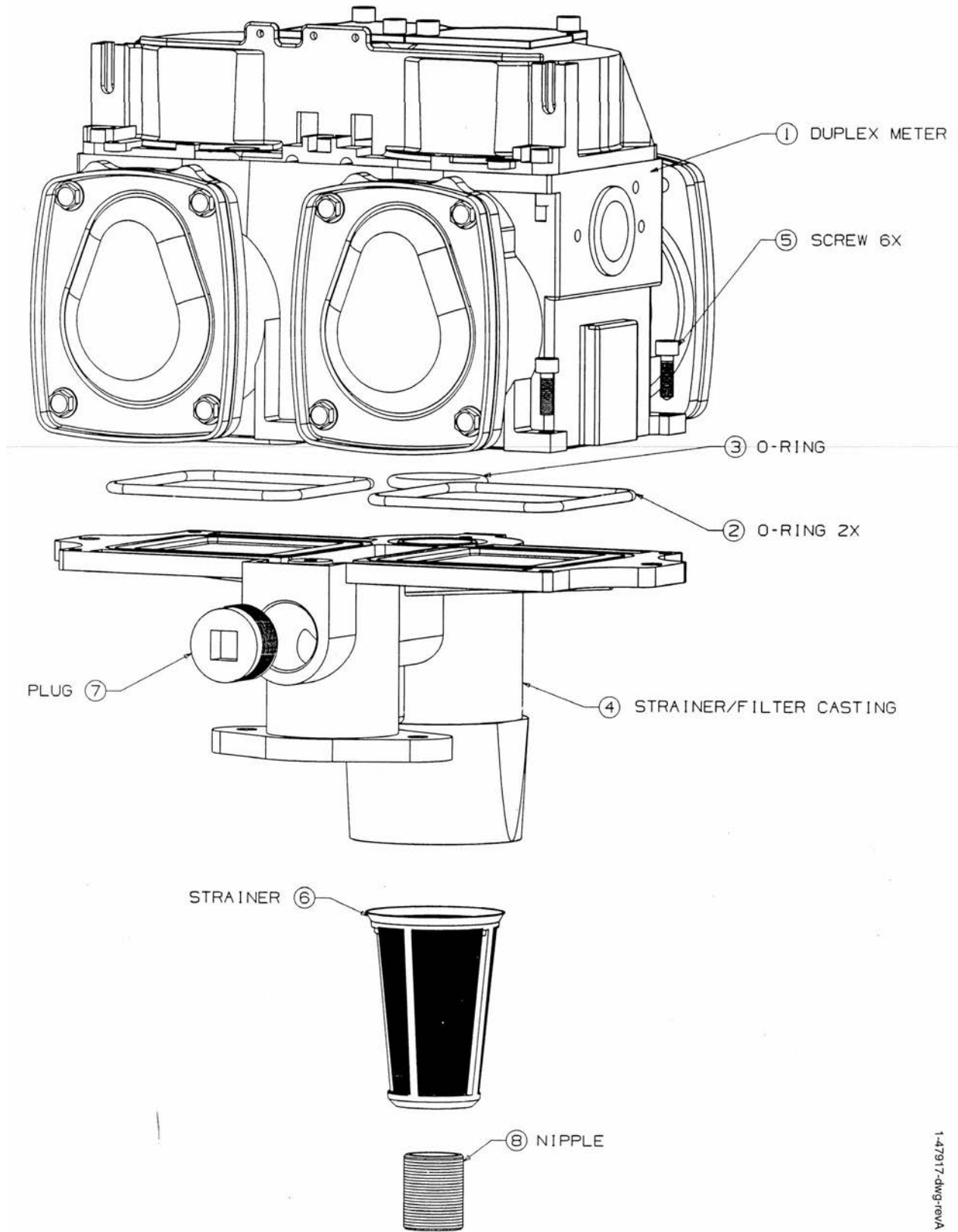


FIGURE 10. 55-302000-DWG - HYDRAULICS MODULE 3/V388D

TABLE 18. 55-302000 - HYDRAULICS MODULE 3/V388D

Item No.	Part No.	Qty.	Description
	055-302000-		MOD,HYD 3/V388D
DWG	055-302000-DWG		MOD,HYD 3/V388D
	001-007195-00C		GUIDE,GRAPHICS PLACEMENT (SEE TABLE 1.)
	48010	2	BALANCE OUTLET (SEE TABLE 29.)
	302048	2	WAYNE VAC OUTLET
	302007	2	NON-VAPOR OUTLET
1	002-047918-	1	GHM REMOTE SS W/SLEEVES (SEE TABLE 20.)
2	-511096-	2	HHC S5/16-18X7/8
3	-509584-	6	NUT 5/16-18 HXNTMSSTZN
4	001-921084-	2	SCREW,HEX WASHER HEAD MAC
5	-907407-	2	FILTER
6	001-047918-	1	GHM REMOTE SINGLE SIDED
7	001-921130-	4	O-RING
8	003-301748-	4	LOCKPIN,7/8 TUBE
10	001-301972-	1	TUBE,LR 3/V580
12	001-301971-	1	TUBE,RF 3/V580
14	001-301924-	2	RETAINER,DBL,FLANGE TUBE
15	-918463-	2	CLAMP - TUBE SUPPORT
16	-918479-	2	SCREW HSWH #12-14 X 3/4
17	001-302005-	2	MOD,VALVE ASSY
18	-905817-	2	“O”RING
19	001-202046-	2	CLAMP,SKINNER VALVE
20	001-921053-	4	SHCS M6 X 1 X 16MM
21	005-129498-	4	LOCKNUT,CONDUIT
22	-126817-	4	WSHR .875X1.625X.062 FWST
23	-513317-	4	NUT 1/4-20 LK TYPE F .630
26	002-302145-	1	RETAINER,INLET NARROW GHM
27	-918513-	4	SCREW,SHAKEPROOF TAP/R TH
28	002-127422-	2	U-BOLT
29	018-127756-	2	NIPPLE,1-1/2 X 18
30	-512101-	2	UNION 1-1/2 F.F.
31	-200403-	2	DISC
32	-911579-00R		SEALING COMPOUND
33	001-001897-00A	1	TAG,PRODUCT ORIENT.FOR IN
34	-907528-	2	WIRE M#26 8 1/2LONG TAG
35	-029314-	1	TAG
36	-905410-	4	SEAL WIRE&LEAD



1-47917-DWG-18VA

FIGURE 11. 1-47917-DWG - IMETER MODULE, REMOTE

TABLE 19. 2-47917 - IMETER MODULE, 3/V REMOTE

Item No.	Part No.	Qty.	Description
	002-047917-		MOD,GHM IGEM REMOTE
DWG	001-047917-DWG		GHM REMOTE W/SLEEVES
1	011-047927-	1	METER,IMETER/PULSER ASSY (SEE TABLE 26.)
2	001-921073-	2	O-RING,101.5 MIN +/- .5MM
3	001-921077-	1	O-RING,34MM +/- .3MM
4	002-047855-	1	CASTING,FILTER STRAINER
5	001-921053-	6	SHCS M6 X 1 X 16MM
6	001-300967-	1	STRAINER
7	-509655-	1	PIPE PLUG SQ. HD. 1" - ZI
8	-126042-	1	NIPPLE
9	-918164-		LOCTITE SEALANT #271

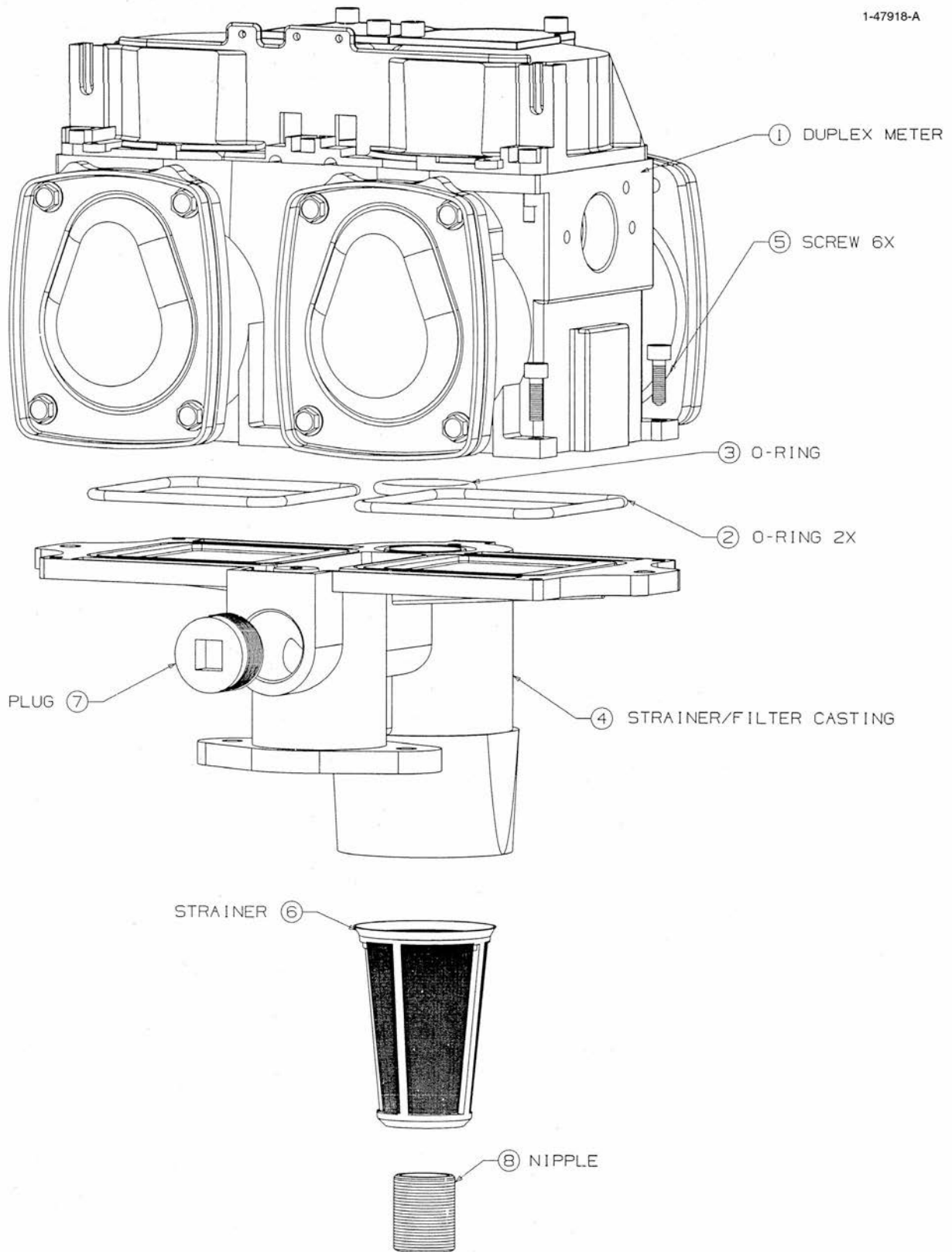


FIGURE 12. 1-47918-DWG - IMETER MODULE, 3V REMOTE, SINGLE SIDED

TABLE 20. 2-47918 - IMETER MODULE, 3/V REMOTE, SINGLE SIDED

Item No.	Part No.	Qty.	Description
	002-047918-		GHM REMOTE SS W/SLEEVES
DWG	001-047918-DWG		GHM REMOTE SINGLE SIDED
1	013-047927-	1	METER,IMETER/PULSER ASSY (SEE TABLE 28.)
2	001-921073-	2	O-RING,101.5 MIN +/- .5MM
3	001-921077-	1	O-RING,34MM +/- .3MM
4	002-047855-	1	CASTING,FILTER STRAINER
5	001-921053-	6	SHCS M6 X 1 X 16MM
6	001-300967-	1	STRAINER
7	-509655-	1	PIPE PLUG SQ. HD. 1" - ZI
8	-126042-	1	NIPPLE

TABLE 21. 3-47918 - IMETER MODULE, 3/V REMOTE, SINGLE SIDED

Item No.	Part No.	Qty.	Description
	003-047918-		MOD,GHM IGEM REMOTE SS FR
DWG	001-047918-DWG		GHM REMOTE SINGLE SIDED
1	012-047927-	1	METER,IMETER/PULSER ASSY (SEE TABLE 27.)
2	001-921073-	2	O-RING,101.5 MIN +/- .5MM
3	001-921077-	1	O-RING,34MM +/- .3MM
4	002-047855-	1	CASTING,FILTER STRAINER
5	001-921053-	6	SHCS M6 X 1 X 16MM
6	001-300967-	1	STRAINER
7	-509655-	1	PIPE PLUG SQ. HD. 1" - ZI
8	-126042-	1	NIPPLE

TABLE 22. 4-47918 - IMETER MODULE, 3/V REMOTE, SINGLE SIDED

Item No.	Part No.	Qty.	Description
	004-047918-		MOD,GHM IGEM REMOTE SS FR
DWG	001-047918-DWG		GHM REMOTE SINGLE SIDED
1	013-047927-	1	METER,IMETER/PULSER ASSY (SEE TABLE 28.)
2	001-921073-	2	O-RING,101.5 MIN +/- .5MM
3	001-921077-	1	O-RING,34MM +/- .3MM
4	002-047855-	1	CASTING,FILTER STRAINER
5	001-921053-	6	SHCS M6 X 1 X 16MM
6	001-300967-	1	STRAINER
7	-509655-	1	PIPE PLUG SQ. HD. 1" - ZI
8	-126042-	1	NIPPLE

1-47919-dwg-A

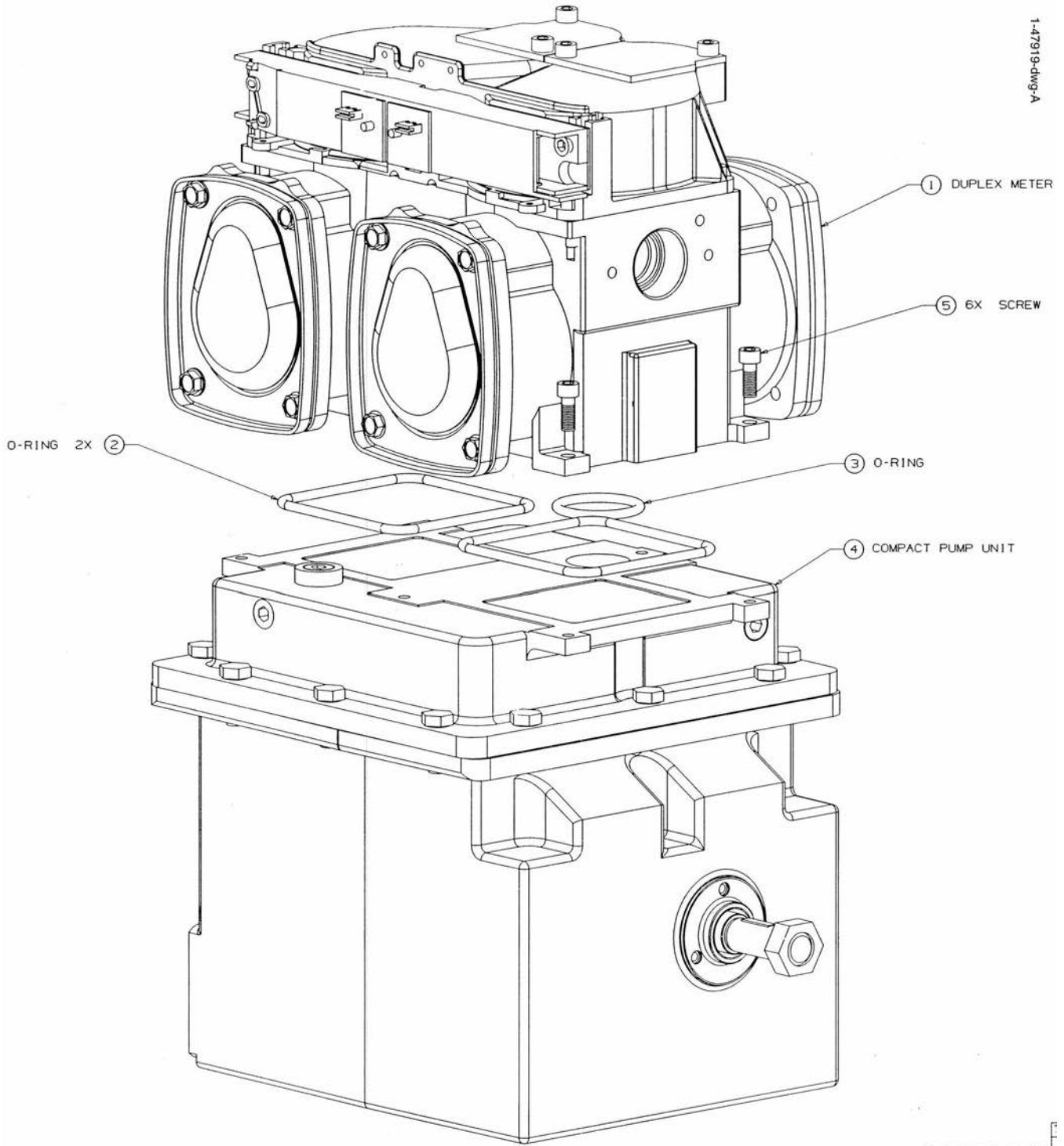


FIGURE 13. 1-47919-DWG - IMETER MODULE, 3/4" SUCTION

TABLE 23. 4-47919 - IMETER MODULE, 3/V SUCTION

Item No.	Part No.	Qty.	Description
	004-047919-		MOD,GHM IGEM SUCTION
DWG	001-047919-DWG		GHM SUCTION DUPLEX W/SLE.
1	011-047927-	1	METER,IMETER/PULSER ASSY (SEE TABLE 26.)
2	001-921073-	2	O-RING,101.5 MIN +/- .5MM
3	001-921077-	1	O-RING,34MM +/- .3MM
4	001-048018-	1	UNIT,COMPACT PUMP ASSY SEE SHARED ASSY MANUAL PART NO. 920345
5	001-921053-	6	SHCS M6 X 1 X 16MM

TABLE 24. 5-47919 - IMETER MODULE, 3/V SUCTION, SINGLE SIDED FRONT

Item No.	Part No.	Qty.	Description
	005-047919-		MOD,GHM IGEM SUCTION SS F
DWG	001-047919-DWG		GHM SUCTION DUPLEX W/SLE.
1	013-047927-	1	METER,IMETER/PULSER ASSY (SEE TABLE 28.)
2	001-921073-	2	O-RING,101.5 MIN +/- .5MM
3	001-921077-	1	O-RING,34MM +/- .3MM
4	001-048018-	1	UNIT,COMPACT PUMP ASSY SEE SHARED ASSY MANUAL PART NO. 920345
5	001-921053-	6	SHCS M6 X 1 X 16MM

TABLE 25. 6-47919 - IMETER MODULE. 3/V SUCTION, SINGLE SIDED REAR

Item No.	Part No.	Qty.	Description
	006-047919-		MOD,GHM IGEM SUCTION SS R
DWG	001-047919-DWG		GHM SUCTION DUPLEX W/SLE.
1	012-047927-	1	METER,IMETER/PULSER ASSY (SEE TABLE 27.)
2	001-921073-	2	O-RING,101.5 MIN +/- .5MM
3	001-921077-	1	O-RING,34MM +/- .3MM
4	001-048018-	1	UNIT,COMPACT PUMP ASSY SEE SHARED ASSY MANUAL PART NO. 920345
5	001-921053-	6	SHCS M6 X 1 X 16MM

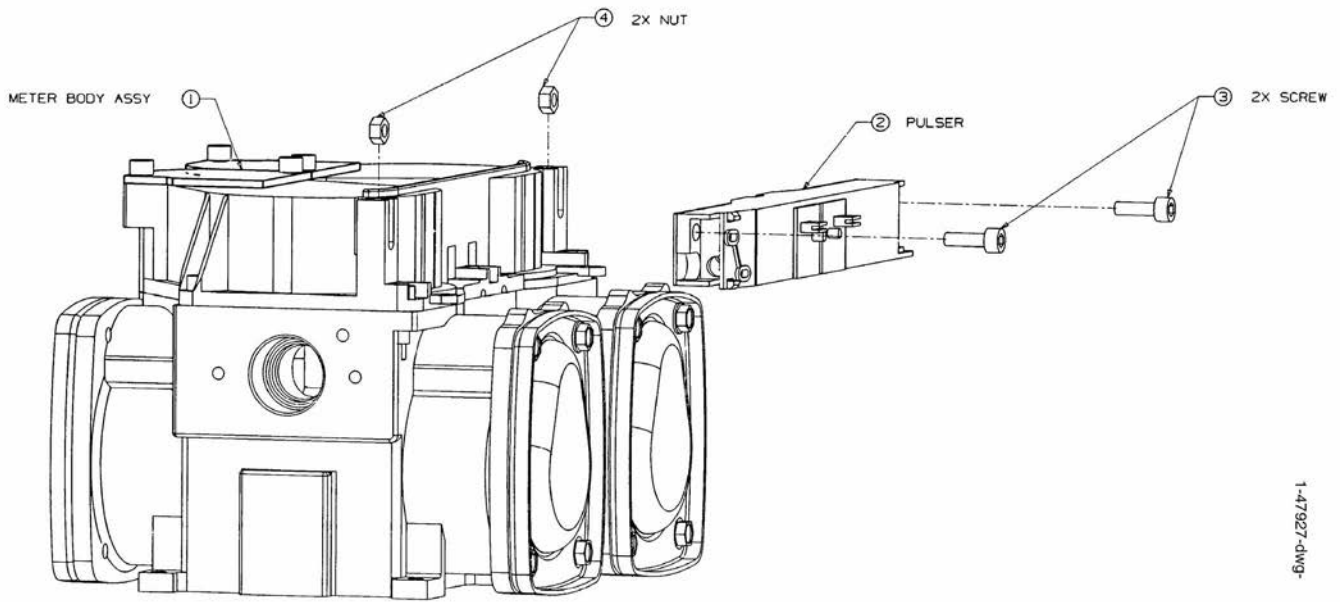


FIGURE 14. 1-47927-DWG - IMETER/PULSER ASSY

TABLE 26. 11-47927 - IMETER/PULSER ASSY

Item No.	Part No.	Qty.	Description
	011-047927-		METER,IMETER/PULSER ASSY
DWG	001-047927-DWG		DUPLEX,METER/PULSER ASSY
1	001-048015-	1	IMETER ASSY W/SLEEVE (SEE IMETER PARTS MANUAL 920467)
2	003-921087-	1	PULSER,WIP-IGEM
3	001-921053-	2	SHCS M6 X 1 X 16MM
4	001-921088-	2	NUT,HEX M6 X 1 CAD PLATE

TABLE 27. 12-47927 - IMETER/PULSER ASSY

Item No.	Part No.	Qty.	Description
	012-047927-		METER,IMETER/PULSER ASSY
DWG	001-047927-DWG		DUPLEX,METER/PULSER ASSY
1	001-048016-	1	IMETER ASSY SGL. SIDED (SEE IMETER PARTS MANUAL 920467)
2	003-921087-	1	PULSER,WIP-IGEM
3	001-921053-	2	SHCS M6 X 1 X 16MM
4	001-921088-	2	NUT,HEX M6 X 1 CAD PLATE

TABLE 28. 13-47927 - IMETER/PULSER ASSY

Item No.	Part No.	Qty.	Description
	013-047927-		METER,IMETER/PULSER ASSY
DWG	001-047927-DWG		DUPLEX,METER/PULSER ASSY
1	001-048036-	1	IMETER,SINGLE SIDED (SEE IMETER PARTS MANUAL 920467)
2	003-921087-	1	PULSER,WIP-IGEM
3	001-921053-	2	SHCS M6 X 1 X 16MM
4	001-921088-	2	NUT,HEX M6 X 1 CAD PLATE

TABLE 29. OUTLET TABLE 3/V

	Models	387 388	389	399	390	390/U	490	490/U	590	590/U 580 585	595	595/U	591
Item No.	Description	Qty.	Qty.	Qty.	Qty.	Qty.	Qty.	Qty.	Qty.	Qty.	Qty.	Qty.	Qty.
Non Vapor Outlet													
1-302007	OUTLET, NON VAPOR	2	4	4	6		4		2				2
2-302007	OUTLET, NON VAPOR						4		4	2	2	2	4
3-302007	OUTLET, NON VAPOR					2		2					
7-302007	OUTLET 1", NON VAPOR												
300790	OUTLET LOW HOSE									2		2	
Wayne Vac Outlet													
See Shared Assy Manual part no. 920345													
1-302048	OUTLET, WV	2											
2-302048	OUTLET, WV									2	2	2	
3-302048	OUTLET, WV					2		2					
Balance Outlet													
1-A48010	OUTLET, BAL												
2-A48010	OUTLET, BAL												
3-A48010	OUTLET, BAL									2	2	2	
4-A48010	OUTLET, BAL												
5-A48010	OUTLET, BAL	2											
6-A48010	OUTLET, BAL					2		2					

Vapor Recovery Module

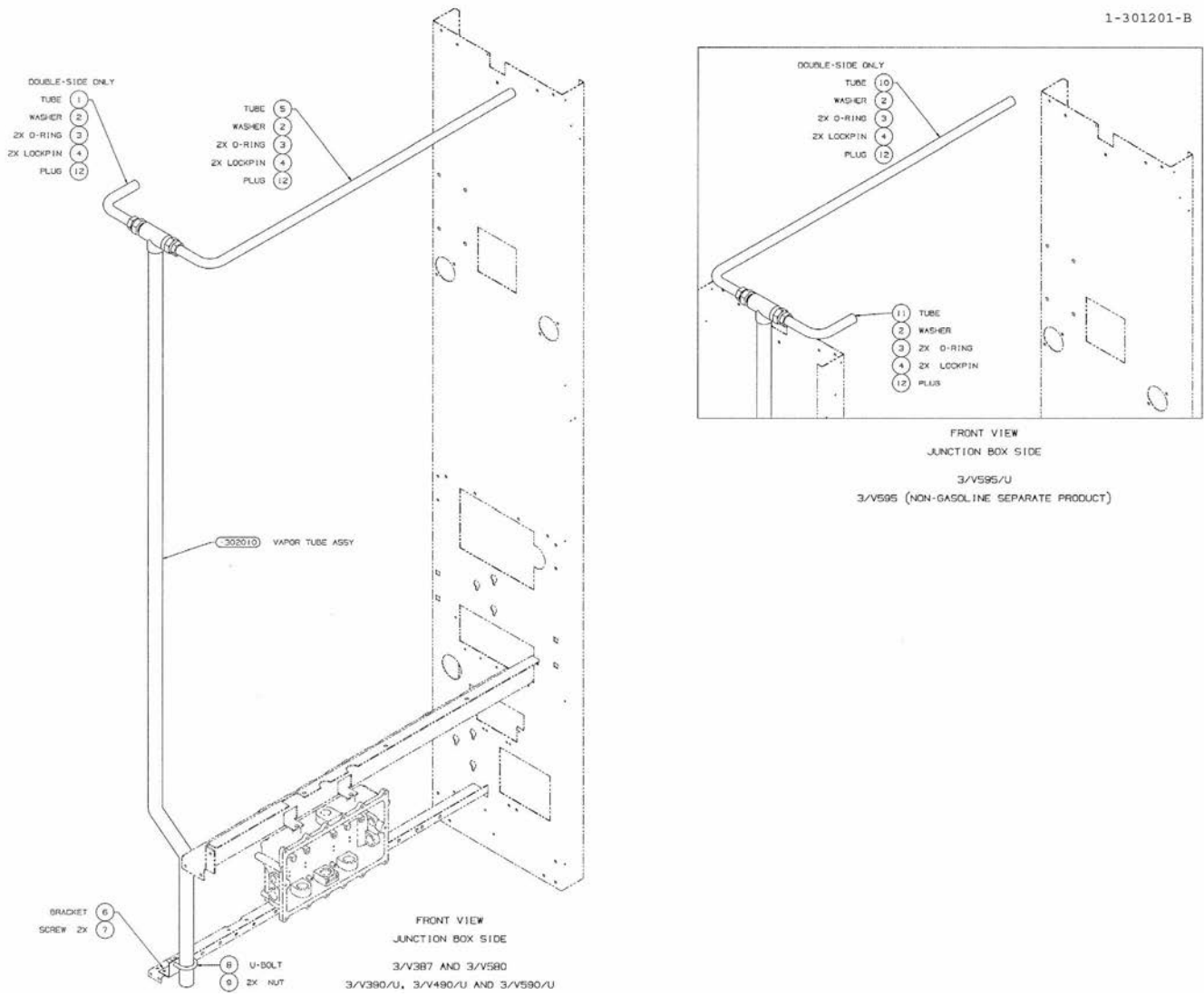


FIGURE 15. 1-302001-DWG - BALANCE VAPOR RECOVERY MODULE

TABLE 30. 3-302001 - BALANCE VAPOR RECOVERY MODULE, 3/V387D/Q, 3/V580D/Q, 3/V585D/Q

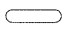
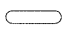
Item No.	Part No.	Qty.	Description
	003-302001-		MOD,BAL VAP 3/V387D/Q
DWG	001-302001-DWG		MOD,BAL VAP
	302010	1	VAPOR TUBE ASSY (SEE TABLE 40.)
1	001-301945-	1	TUBE,BALANCE 90 DEG SHORT
2	-129762-	2	WASHER-FLARE
3	001-921130-	4	O-RING
4	003-301748-	4	LOCKPIN,7/8 TUBE
5	005-301945-	1	TUBE,BALANCE 90 DEG LONG
6	001-302130-	1	U-BOLT,ANGLE BAL TUBE INL
7	-918513-	2	SCREW,SHAKEPROOF TAP/R TH
8	-127422-	1	UBOLT S5/16-18X2-3/8W
9	-509584-	2	NUT 5/16-18 HXNTMSSTZN
12	001-202047-	2	PLUG,OUTLET

TABLE 31. 4-302001 - BALANCE VAPOR RECOVERY MODULE, 3/V387D/QR

Item No.	Part No.	Qty.	Description
	004-302001-		MOD,BAL VAP 3/V387D/QR
DWG	001-302001-DWG		MOD,BAL VAPOR RCVY
	302010	1	VAPOR TUBE ASSY (SEE TABLE 40.)
2	-129762-	1	WASHER-FLARE
3	001-921130-	2	O-RING
4	003-301748-	2	LOCKPIN,7/8 TUBE
5	005-301945-	1	TUBE,BALANCE 90 DEG LONG
6	001-301130-	1	ADAPTOR,FLARED TUBE - GHM
7	-918513-	2	SCREW,SHAKEPROOF TAP/R TH
8	-127422-	1	UBOLT S5/16-18X2-3/8W
9	-509584-	2	NUT 5/16-18 HXNTMSSTZN
12	001-202047-	1	PLUG,OUTLET

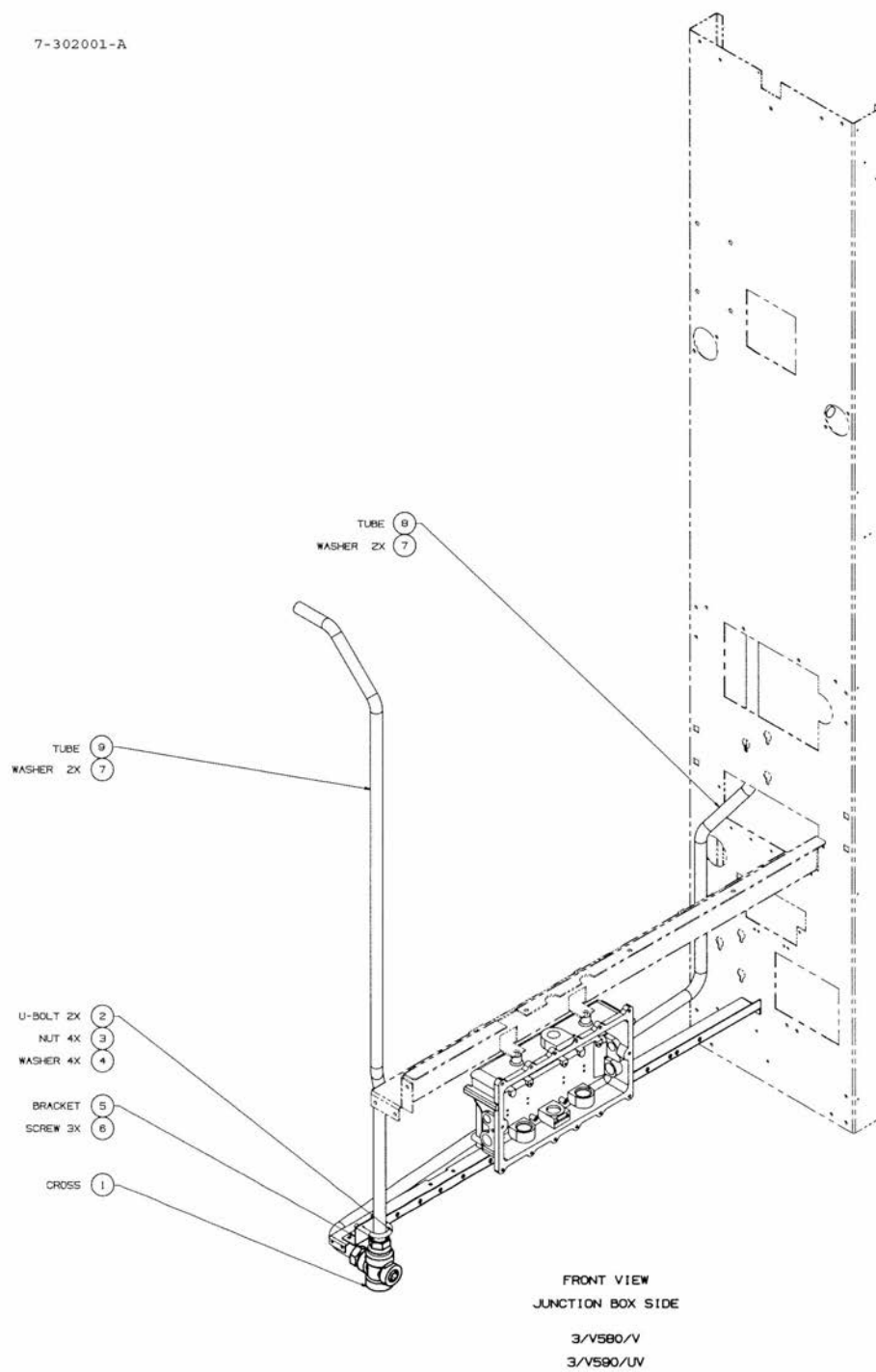


FIGURE 16. 7-302001-DWG - BALANCE VAPOR RECOVERY MODULE, LOW OUTLET

TABLE 32. 9-302001 - BALANCE VAPOR RECOVERY MODULE, LOW OUTLET, 3/V580D/V, 3/V585D/V

Item No.	Part No.	Qty.	Description
	009-302001-		MOD,BAL VAPOR RCVY LOW OU
DWG	007-302001-DWG		MOD,BAL VAPOR RCVY LOW OU
1	020-300236-	1	FITTINGS,CROSS & INV FLR. (SEE SHARED ASSY MANUAL 920345)
2	002-127422-	2	U-BOLT
3	-509584-	4	NUT 5/16-18 HXNTMSSTZN
4	-902017-	4	WSHR LK 5/16X1/8X1/16 SPL
5	003-302145-	1	BRACKET,MOUNTING CROSS GH
6	-918513-	3	SCREW,SHAKEPROOF TAP/R TH
7	-129762-	4	WASHER-FLARE
8	001-301969-	1	TUBE,RF BALANCE VAPOR
9	003-301975-	1	TUBE,BALANCE VAPOR LR

8-302001-A

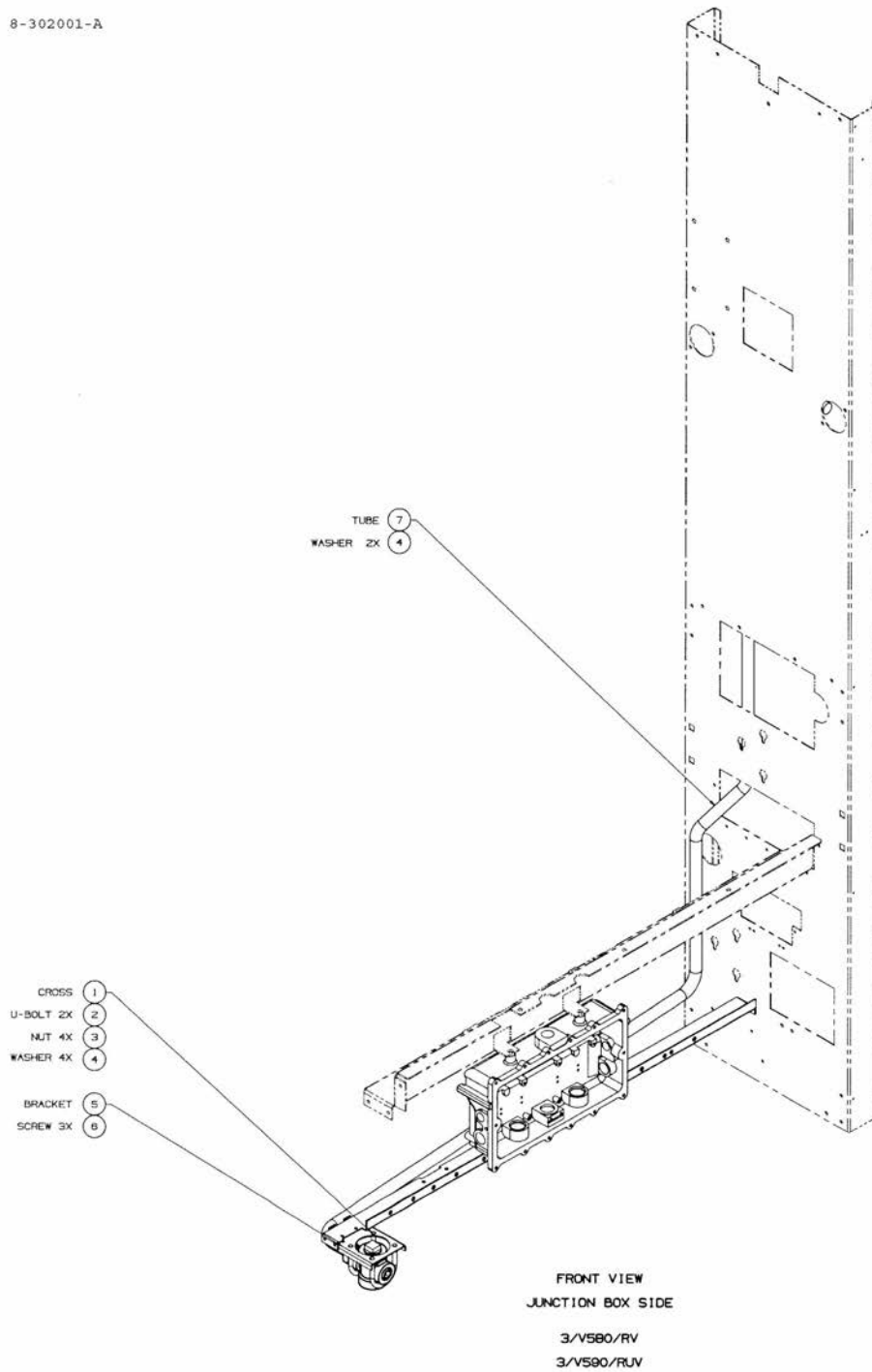


FIGURE 17. 8-302001-DWG - BALANCE VAPOR RECOVERY MODULE, LOW OUTLET SINGLE SIDED

**TABLE 33. 10-302001 - BALANCE VAPOR RECOVERY MODULE, LOW OUTLET, SINGLE SIDED,
3/V580D/RV, 3/V585D/RV**

Item No.	Part No.	Qty.	Description
	010-302001-		MOD,BAL VAPOR RCVY LOW OU
DWG	008-302001-DWG		MOD,BAL VAPOR RCVY LOW OU
1	010-300236-	1	FITTING,CROSS&INV. FL ASY (SEE SHARED ASSY MANUAL 920345)
2	002-127422-	2	U-BOLT
3	-509584-	4	NUT 5/16-18 HXNTMSSTZN
4	-902017-	4	WSHR LK 5/16X1/8X1/16 SPL
5	003-302145-	1	BRACKET,MOUNTING CROSS GH
6	-918513-	3	SCREW,SHAKEPROOF TAP/R TH
7	-129762-	2	WASHER-FLARE
8	001-301969-	1	TUBE,RF BALANCE VAPOR

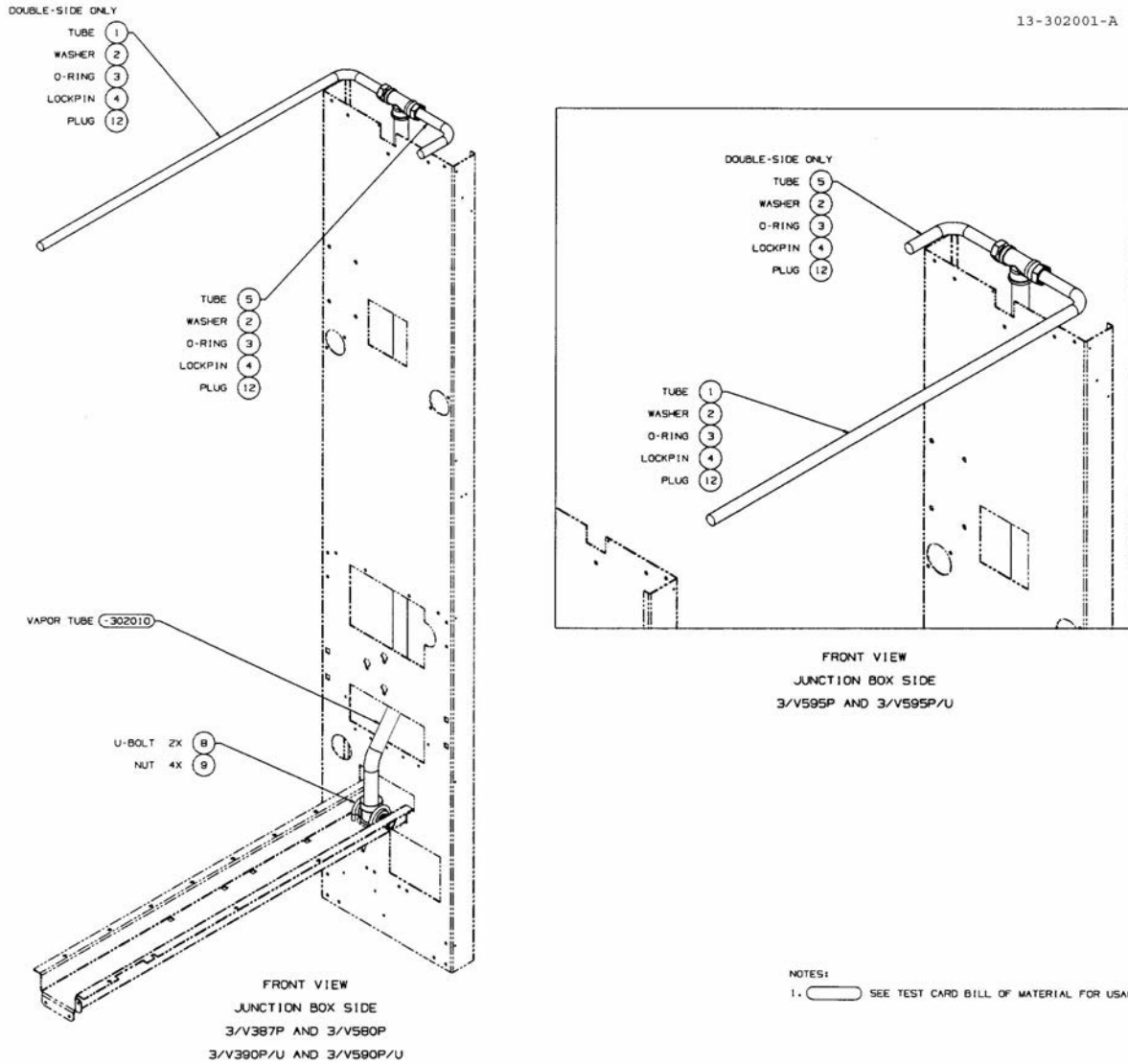


FIGURE 18. 13-302001-DWG - BALANCE VAPOR RECOVERY MODULE SUCTION

TABLE 34. 15-302001 - BALANCE VAPOR RECOVERY MODULE, 3/V387P/Q, 3/V580P/Q, 3/V585P/Q

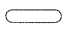
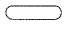
Item No.	Part No.	Qty.	Description
	015-302001-		MOD,BAL VAP REC 387P/Q,58
DWG	013-302001-DWG		MOD,BAL VAP REC 390P/QU,5
	302010	1	VAPOR TUBE ASSY (SEE TABLE 40.)
1	005-301945-	1	TUBE,BALANCE 90 DEG LONG
2	-129762-	2	WASHER-FLARE
3	001-921130-	4	O-RING
4	003-301748-	4	LOCKPIN,7/8 TUBE
5	001-301945-	1	TUBE,BALANCE 90 DEG SHORT
8	-127422-	1	UBOLT S5/16-18X2-3/8W
9	-509584-	2	NUT 5/16-18 HXNTMSSTZN
12	001-202047-	2	PLUG,OUTLET

TABLE 35. 16-302001 - BALANCE VAPOR RECOVERY MODULE, SINGLE SIDED, 3/V387P/QR, 3/V580P/QR, 3/V585P/QR

Item No.	Part No.	Qty.	Description
	016-302001-		MOD,BAL VAP REC 387P/QR,
DWG	013-302001-DWG		MOD,BAL VAP REC 390P/QU,5
	302010	1	VAPOR TUBE ASSY (SEE TABLE 40.)
2	-129762-	1	WASHER-FLARE
3	001-921130-	2	O-RING
4	003-301748-	2	LOCKPIN,7/8 TUBE
5	001-301945-	1	TUBE,BALANCE 90 DEG SHORT
8	-127422-	1	UBOLT S5/16-18X2-3/8W
9	-509584-	2	NUT 5/16-18 HXNTMSSTZN
12	001-202047-	1	PLUG,OUTLET

Vapor Recovery Module

3-302002-B

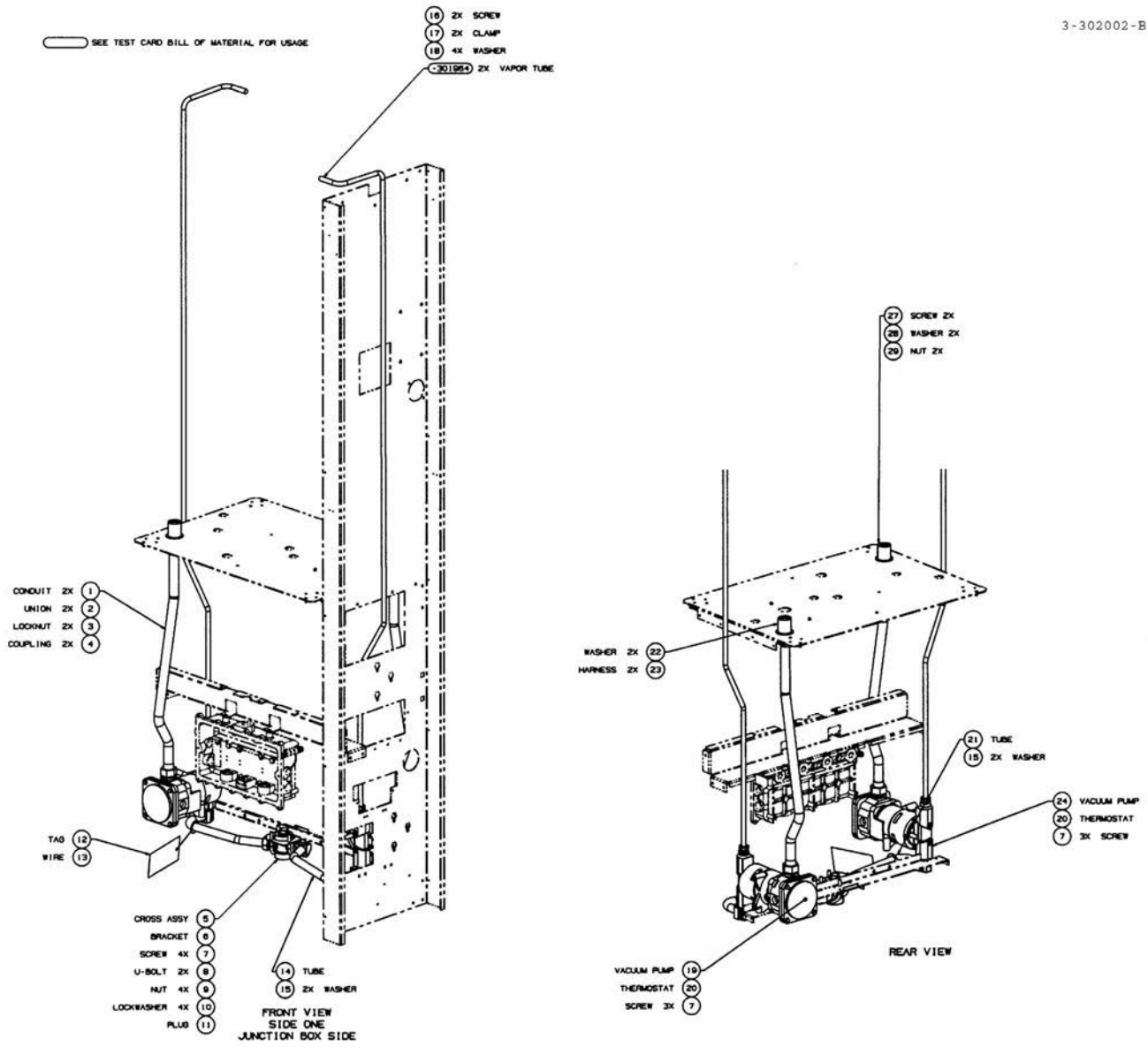


FIGURE 19. 3-302002-DWG - WAYNE VAC VAPOR RECOVERY MODULE

**TABLE 36. 3-302002 - WAYNE VAC VAPOR RECOVERY MODULE, 3/V387D/D2Q,
3/V580D/D2Q, 3/V585D/D2Q**

Item No.	Part No.	Qty.	Description
	003-302002-		MOD,WV VAP 3/V387D/D2Q
DWG	003-302002-DWG		MOD,WV VAP 3/V387D/D2Q
	301964	2	VAPOR TUBE (SEE TABLE 40.)
1	001-301602-	2	CONDUIT,WVAC PUMP GHM
2	-914516-	2	3/4 NPT CONDUIT UNION
3	-512724-	2	LOCK N3/4 NPSL CONDUIT
4	-129710-	2	COUPLING
5	016-300236-	1	CROSS,& FITTING ASSY (SEE SHARED ASSY MANUAL 920345)
6	004-302145-	1	BRACKET,MOUNTING CROSS
7	-918513-	10	SCREW,SHAKEPROOF TAP/R TH
8	002-127422-	2	U-BOLT
9	-509584-	4	NUT 5/16-18 HXNTMSSTZN
10	-902017-	4	WSHR LK 5/16X1/8X1/16 SPL
11	-918009-	1	PLUG, CAPLUG 1 1/4"
12	001-001903-00A	1	TAG-VAPOR PIPING INSTRUCT
13	-907528-	1	WIRE M#26 8 1/2LONG TAG
14	006-302250-	1	TUBE,WVAC
15	-129762-	4	WASHER-FLARE
16	-918479-	2	SCREW HSWH #12-14 X 3/4
17	-918940-	2	CLAMP,TUBE SUPPORT
18	002-129762-	4	WASHER,FLARE
19	013-300826-	1	VACUUM PUMP & FITTING ASY (SEE SHARED ASSY MANUAL 920345)
20	003-201879-	2	THERMOSTAT,W/V ASSY
21	005-302250-	1	TUBE,WVAC
22	003-126817-	2	WASHER-FLAT
23	001-047989-HRN	2	HARNESS,WIRING,WVAC-GEM
24	010-300826-	1	RIGHT SIDE VAC PUMP-SUCT. (SEE SHARED ASSY MANUAL 920345)
27	-918137-	2	SCR 8-32X1/2 PHMSPHG2CD/Z
28	-916736-	2	WSHR LK#8 ETLWMDSSPA U.L.
29	-507868-	2	NUT 8-32 HXNTMSSTZY

Vapor Recovery Module

4-302002-B

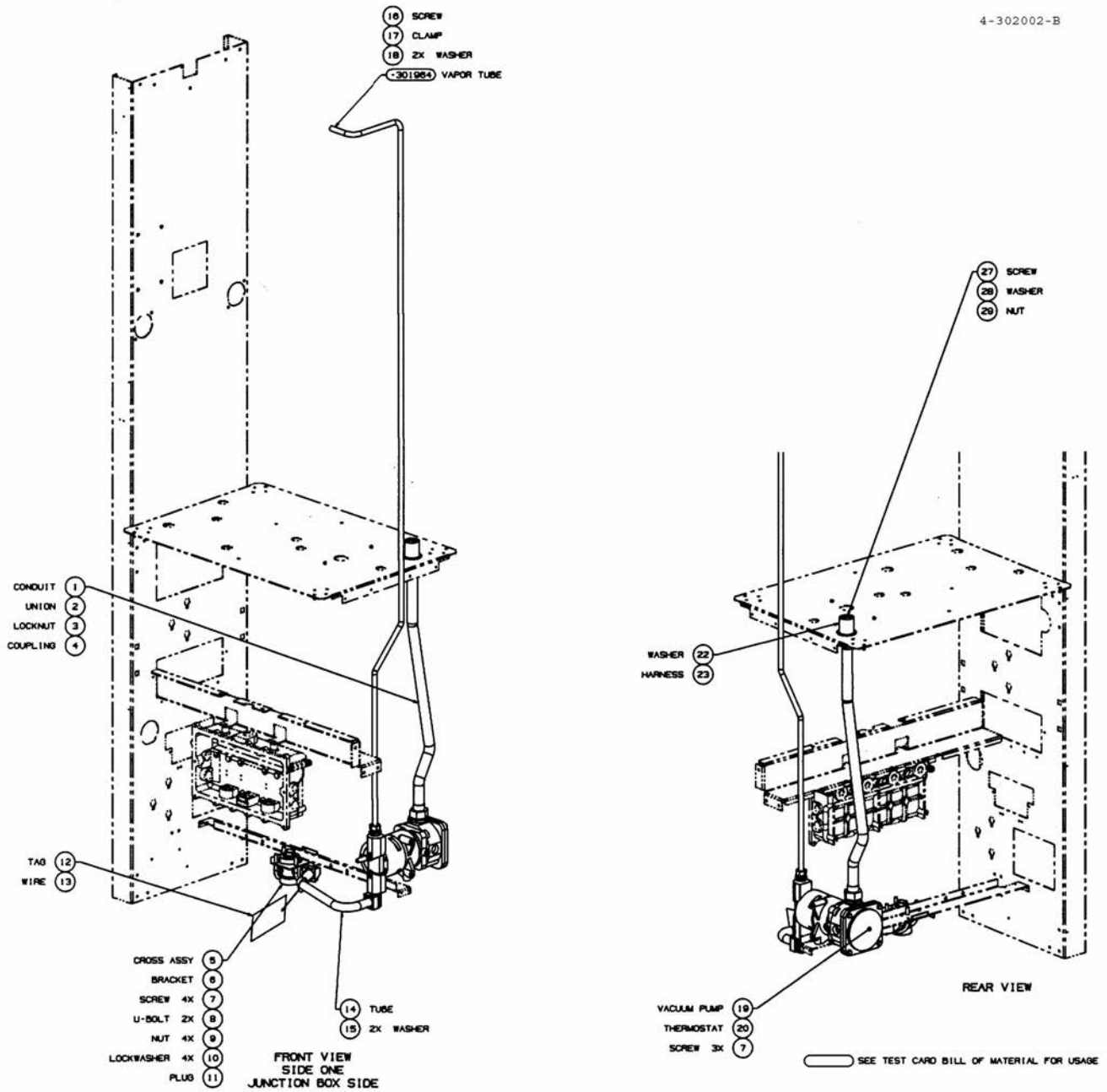


FIGURE 20. 4-302002-DWG - WAYNE VAC VAPOR RECOVERY MODULE

**TABLE 37. 4-302002 - WAYNE VAC VAPOR RECOVERY MODULE, 3/V387D/D2QR,
3/V580D/D2QR, 3/V585D/D2QR**

Item No.	Part No.	Qty.	Description
	004-302002-		MOD,WV VAP 3/V387D/D2QR
DWG	004-302002-DWG		MOD,WV VAP 3/V387D/D2QR
	301964	1	VAPOR TUBE (SEE TABLE 40.)
1	001-301602-	1	CONDUIT,WVAC PUMP GHM
2	-914516-	1	3/4 NPT CONDUIT UNION
3	-512724-	1	LOCK N3/4 NPSL CONDUIT
4	-129710-	1	COUPLING
5	013-300236-	1	FITTINGS,CROSS & INV FLR. (SEE SHARED ASSY MANUAL 920345)
6	004-302145-	1	BRACKET,MOUNTING CROSS
7	-918513-	7	SCREW,SHAKEPROOF TAP/R TH
8	002-127422-	2	U-BOLT
9	-509584-	4	NUT 5/16-18 HXNTMSSTZN
10	-902017-	4	WSHR LK 5/16X1/8X1/16 SPL
12	001-001903-00A	1	TAG-VAPOR PIPING INSTRUCT
13	-907528-	1	WIRE M#26 8 1/2LONG TAG
14	006-302250-	1	TUBE,WVAC
15	-129762-	2	WASHER-FLARE
16	-918479-	1	SCREW HSWH #12-14 X 3/4
17	-918940-	1	CLAMP,TUBE SUPPORT
18	002-129762-	2	WASHER,FLARE
19	013-300826-	1	VACUUM PUMP & FITTING ASY (SEE SHARED ASSY MANUAL 920345)
20	003-201879-	1	THERMOSTAT,W/V ASSY
22	003-126817-	1	WASHER-FLAT
23	001-047989-HRN	1	HARNESS,WIRING,WVAC-GEM
27	-918137-	1	SCR 8-32X1/2 PHMSPHG2CD/Z
28	-916736-	1	WSHR LK#8 ETLWMDSSPA U.L.
29	-507868-	1	NUT 8-32 HXNTMSSTZY

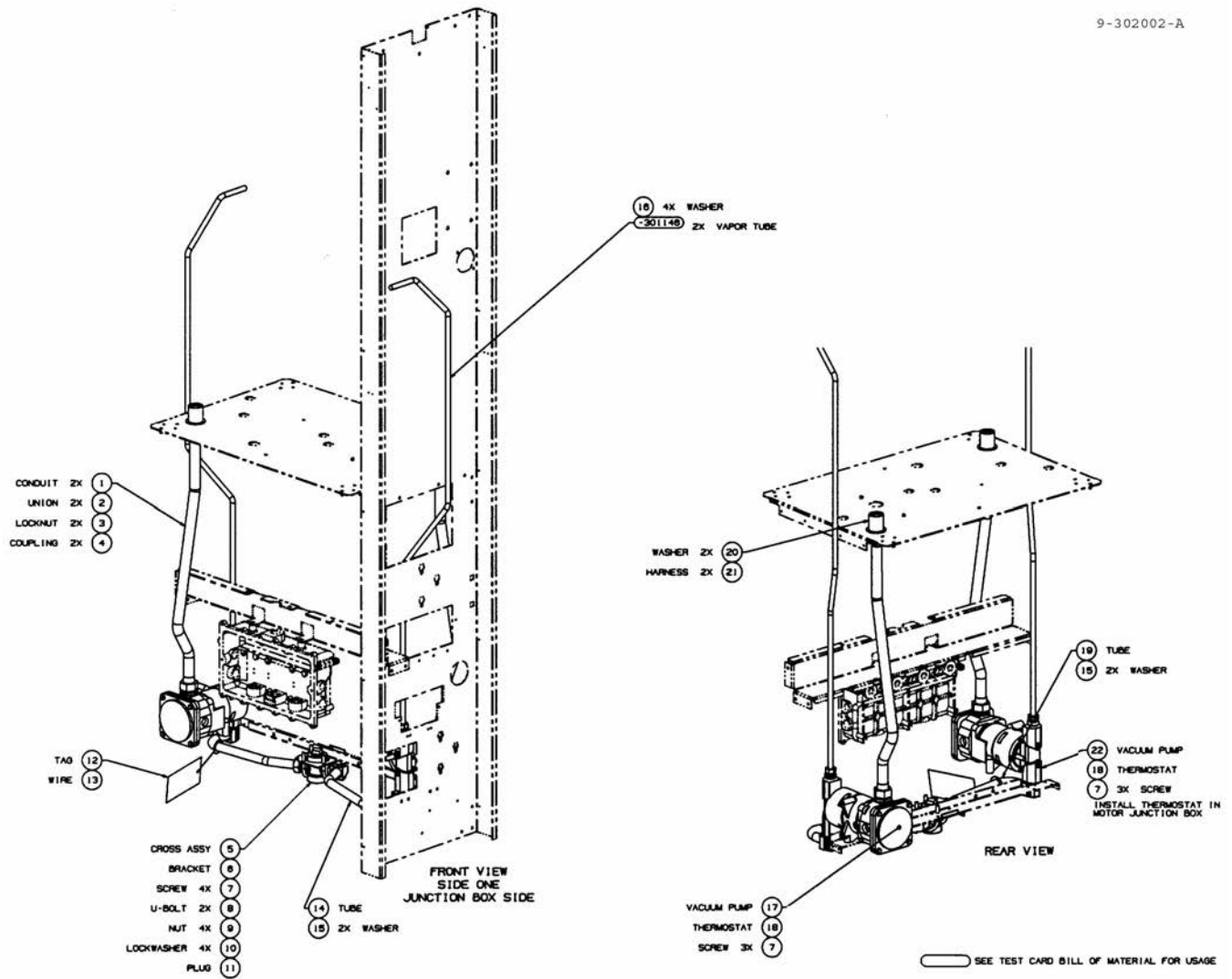


FIGURE 21. 9-302002-DWG - WAYNE VAC VAPOR RECOVERY MODULE

TABLE 38. 9-302002 - WAYNE VAC VAPOR RECOVERY MODULE, LOW OUTLET, 3/V580D/D2V, 3/V585D/D2V

Item No.	Part No.	Qty.	Description
	009-302002-		MOD,WVAC VAPOR RCVY NARRO
DWG	009-302002-DWG		MOD,WVAC VAPOR RCVY NARRO
	-301146-	2	CHART,VAPOR TUBE (SEE TABLE 40.)
1	001-301602-	2	CONDUIT,WVAC PUMP GHM
2	-914516-	2	3/4 NPT CONDUIT UNION
3	-512724-	2	LOCK N3/4 NPSL CONDUIT
4	-129710-	2	COUPLING
5	016-300236-	1	CROSS,& FITTING ASSY (SEE SHARED ASSY MANUAL 920345)
6	004-302145-	1	BRACKET,MOUNTING CROSS
7	-918513-	10	SCREW,SHAKEPROOF TAP/R TH
8	002-127422-	2	U-BOLT
9	-509584-	4	NUT 5/16-18 HXNTMSSTZN
10	-902017-	4	WSHR LK 5/16X1/8X1/16 SPL
11	-918009-	1	PLUG, CAPLUG 1 1/4"
12	001-001903-00A	1	TAG-VAPOR PIPING INSTRUCT
13	-907528-	1	WIRE M#26 8 1/2LONG TAG
14	006-302250-	1	TUBE,WVAC
15	-129762-	4	WASHER-FLARE
16	002-129762-	4	WASHER,FLARE
17	013-300826-	1	VACUUM PUMP & FITTING ASY (SEE SHARED ASSY MANUAL 920345)
18	003-201879-	2	THERMOSTAT,W/V ASSY
19	005-302250-	1	TUBE,WVAC
20	003-126817-	2	WASHER-FLAT
21	001-047989-HRN	2	HARNESS,WIRING,WVAC-GEM
22	010-300826-	1	RIGHT SIDE VAC PUMP-SUCT. (SEE SHARED ASSY MANUAL 920345)

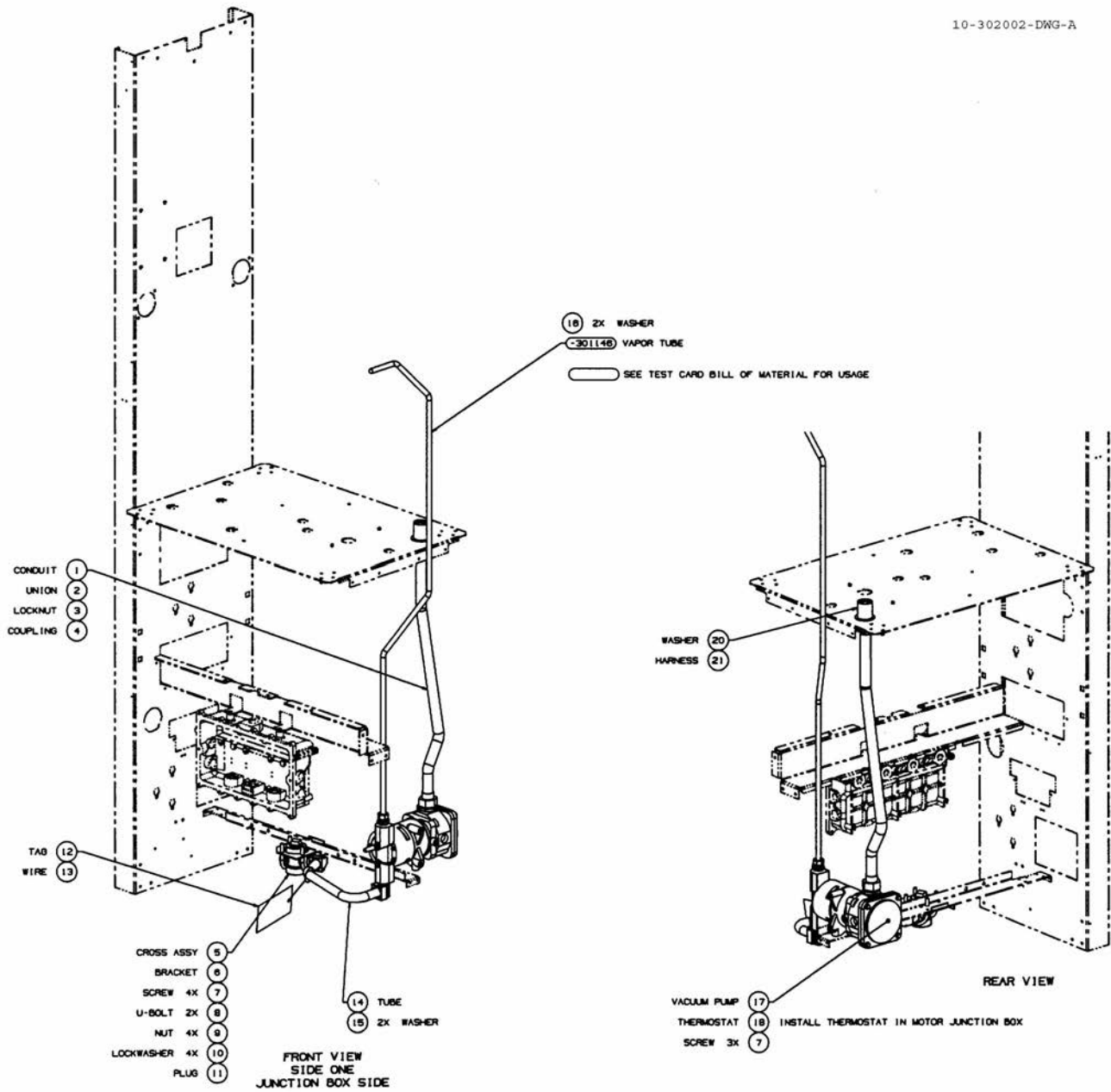


FIGURE 22. 10-302002 - WAYNE VAC VAPOR RECOVERY MODULE

TABLE 39. 10-302002 - WAYNE VAC VAPOR RECOVERY MODULE, LOW OUTLET, SINGLE SIDED, 3/V580D/D2RV, 3/V585D/D2RV

Item No.	Part No.	Qty.	Description
	010-302002-		MOD,WVAC VAPOR RCVY NARRO
DWG	010-302002-DWG		MOD,WVAC VAPOR RCVY NARRO
	-301146-	1	CHART,VAPOR TUBE (SEE TABLE 40.)
1	001-301602-	1	CONDUIT,WVAC PUMP GHM
2	-914516-	1	3/4 NPT CONDUIT UNION
3	-512724-	1	LOCK N3/4 NPSL CONDUIT
4	-129710-	1	COUPLING
5	013-300236-	1	FITTINGS,CROSS & INV FLR. (SEE SHARED ASSY MANUAL 920345)
6	004-302145-	1	BRACKET,MOUNTING CROSS
7	-918513-	7	SCREW,SHAKEPROOF TAP/R TH
8	002-127422-	2	U-BOLT
9	-509584-	4	NUT 5/16-18 HXNTMSSTZN
10	-902017-	4	WSHR LK 5/16X1/8X1/16 SPL
11	-918009-	1	PLUG, CAPLUG 1 1/4"
12	001-001903-00A	1	TAG-VAPOR PIPING INSTRUCT
13	-907528-	1	WIRE M#26 8 1/2LONG TAG
14	006-302250-	1	TUBE,WVAC
15	-129762-	2	WASHER-FLARE
16	002-129762-	2	WASHER,FLARE
17	013-300826-	1	VACUUM PUMP & FITTING ASY (SEE SHARED ASSY MANUAL 920345)
18	003-201879-	1	THERMOSTAT,W/V ASSY
20	003-126817-	1	WASHER-FLAT
21	001-047989-HRN	1	HARNESS,WIRING,WVAC-GEM

TABLE 40. VAPOR RECOVERY TUBE CHART

Part No.	Description
302010	Balance Vapor Recovery Drain Tube (See Shared Assy Manual 920345)
1-302010	MOD, BALANCE 2 SIDED REMOTE
2-302010	MOD, BALANCE 1 SIDE REMOTE
3-302010	MOD, BALANCE 2 SIDED SUCTION
4-302010	MOD, BALANCE 1 SIDE SUCTION
301818	Non Vapor Vent Tube
16-301818	VENT TUBE FOR 3/V390P/U NON VAPOR
17-301818	VENT TUBE FOR 3/V390P/ LEFT SIDE NON VAPOR
18-301818	VENT TUBE FOR 3/V390P/ MIDDLE NON VAPOR
19-301818	VENT TUBE FOR 3/V390P/ RIGHT SIDE NON VAPOR
301964	Wayne Vac Vapor Tube
1-301964	WV DOWN TUBE 3/V REMOTE
2-301964	WV DOWN TUBE 3/V595D//A (GRADES REVERSED)
301146	Wayne Vac Vapor Tube
15-301146	WV DOWN TUBE 3/V REMOTE 3/V590D/UV, 3/V580D/V
16-301146	WV DOWN TUBE 3/V595D/UV

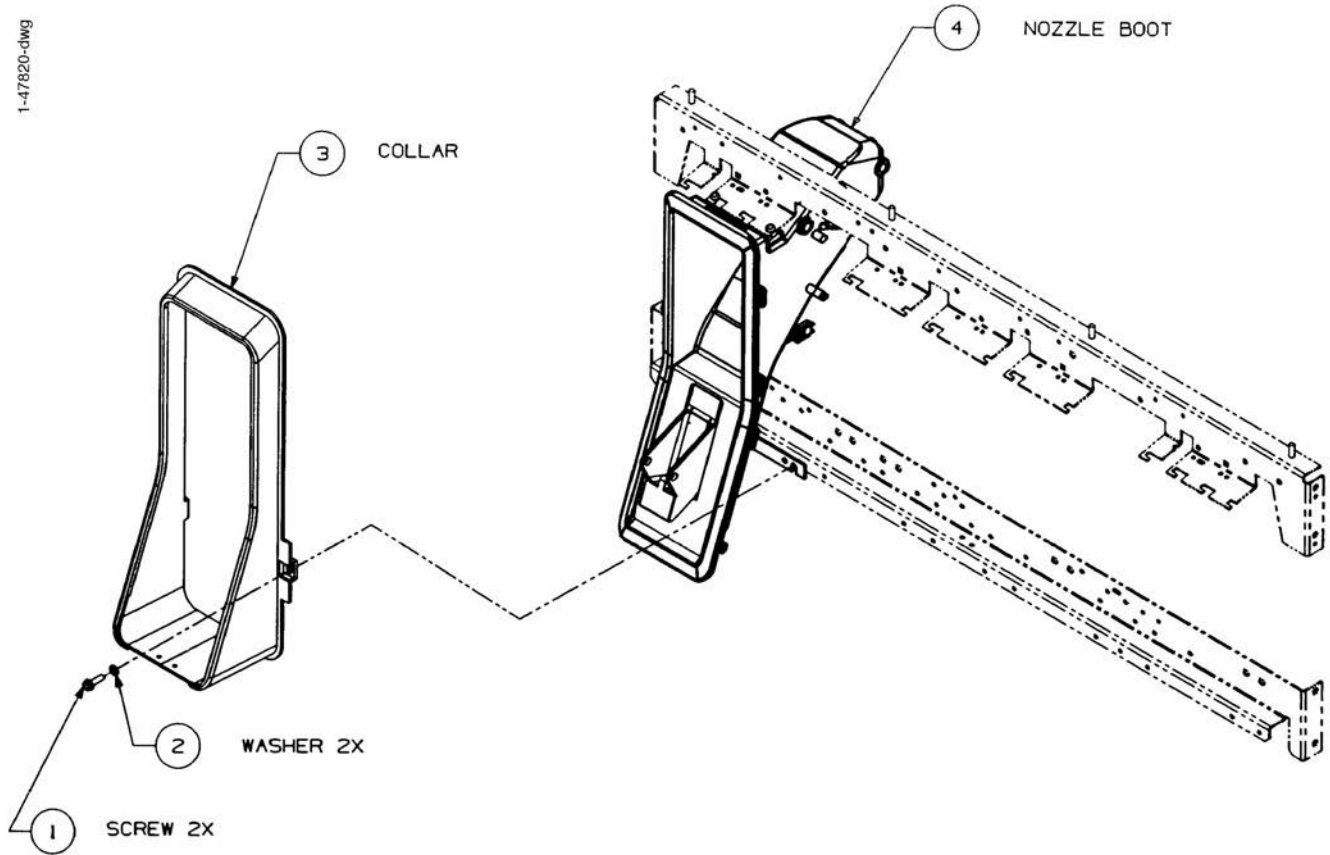


FIGURE 23. 1-47820-DWG - NOZZLE BOOT REMOTE

TABLE 41. 1-47820 - NOZZLE BOOT MODULE, REMOTE, LIFT TO START

Item No.	Part No.	Qty.	Description
	0C1-047820-		MOD,NOZ BOOT LTS
DWG	001-047820-DWG		MOD,NOZZLE BOOT LTS
1	-916695-	2	TTWA S1/4-20X7/8 UNSLOT
2	-905245-	2	FLAT W1/4 SHAKEPROOF STL
3	-047377-	1	COLLAR - NOZZLE BOOT
4	001-047790-	1	BOOT,NOZZLE ASSY L. TO S. SEE SHARED ASSY MANUAL PART NO. 920345

TABLE 42. 3-47820 - NOZZLE BOOT MODULE, REMOTE, PUSH TO START

Item No.	Part No.	Qty.	Description
	003-047820-		MOD,NOZ BOOT PTS
DWG	001-047820-DWG		MOD,NOZZLE BOOT LTS
1	-916695-	2	TTWA S1/4-20X7/8 UNSLOT
2	-905245-	2	FLAT W1/4 SHAKEPROOF STL
3	-047377-	1	COLLAR - NOZZLE BOOT
4	001-047792-	1	BOOT,NOZZLE ASSY P. TO S. SEE SHARED ASSY MANUAL PART NO. 920345

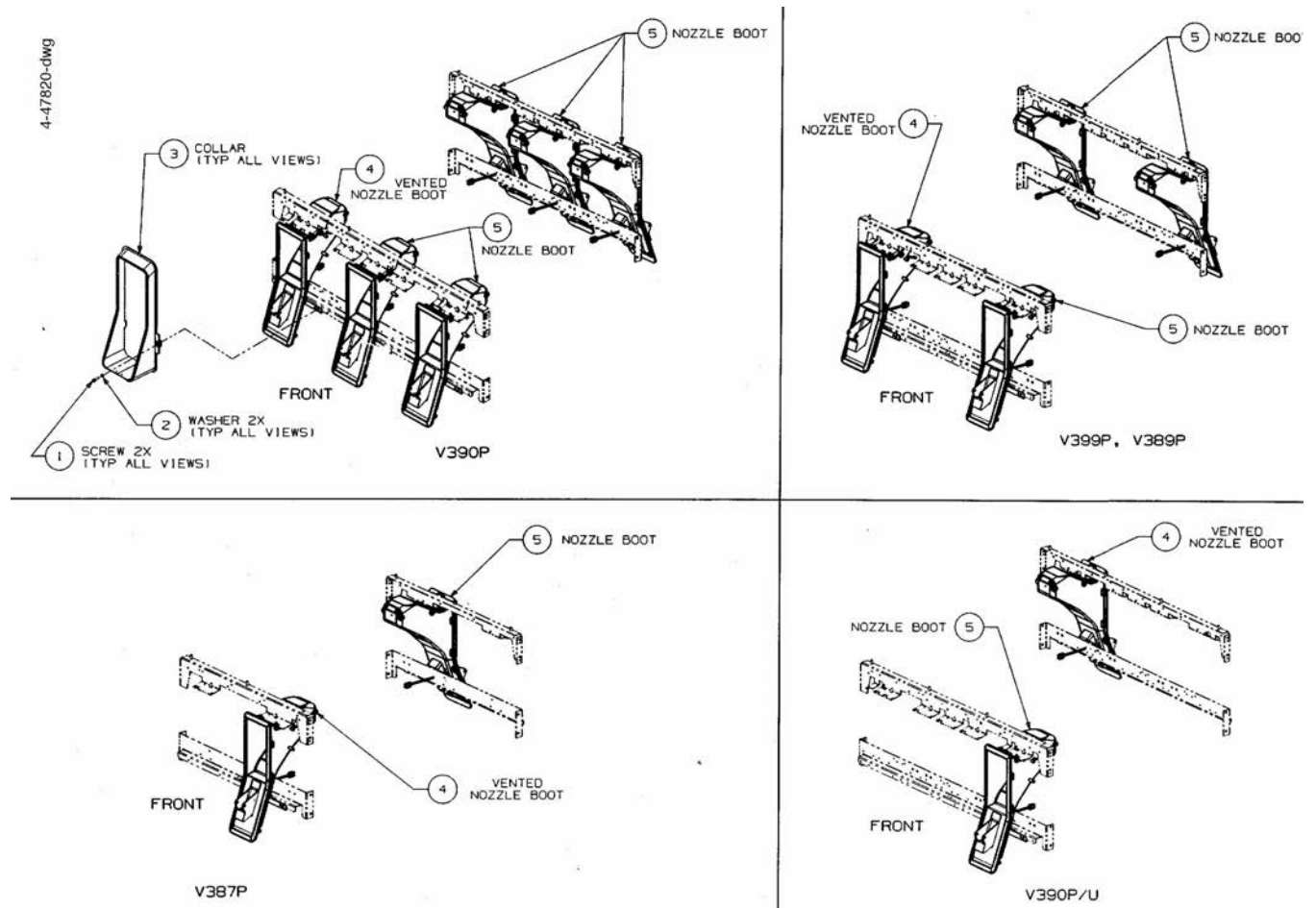


FIGURE 24. 4-47820-DWG - NOZZLE BOOT SUCTION

TABLE 43. 8-47820 - NOZZLE BOOT MODULE, 3/V SUCTION, LIFT TO START

Item No.	Part No.	Qty.	Description
	008-047820-		MOD,NOZ BOOT LTS IGEN SUC VENT
DWG	004-047820-DWG		DWG,NOZ BOOT
1	-916695-	2	TTWA S1/4-20X7/8 UNSLOT
2	-905245-	2	WSHR 1/4 FWSTCD
3	-047377-	1	COLLAR - NOZZLE BOOT
4	008-047790-	1	BOOT,NOZZLE ASSY SUCTION SEE SHARED ASSY MANUAL PART NO. 920345

TABLE 44. 9-47820 - NOZZLE BOOT MODULE, 3/V SUCTION, VENTED

Item No.	Part No.	Qty.	Description
	009-047820-		MOD,NOZ BT IGEN PTS SUC VENTED
DWG	004-047820-DWG		DWG,NOZ BOOT
1	-916695-	2	TTWA S1/4-20X7/8 UNSLOT
2	-905245-	2	WSHR 1/4 FWSTCD
3	-047377-	1	COLLAR - NOZZLE BOOT
4	009-047792-	1	BOOT,NOZZLE,SUCTION SEE SHARED ASSY MANUAL PART NO. 920345

TABLE 45. 301818 - NOZZLE BOOT VENT TUBE 3/V SUCTION

Item No.	Model
1-301818	3/V590P/QU, 3/V595P/QU, 3/V595P/Q
2-301818	3/V390P/QU
5-301818	3/V595P/U NON VAPOR
6-301818	3/V595P/ , 3/V591P/ NON VAPOR
7-301818	3/V590P/U, 3/V590P NON VAPOR
9-301818	3/V595P/ , 3/V591P/ NON VAPOR , 3/V595P/Q(SEPARATE PRODUCT)
10-301818	3/V580P/ NON VAPOR
12-301818	3/V580P/Q
13-301818	3/V387P/Q
16-301818	3/V390P/U NON VAPOR
17-301818	3/V390P/ LEFT SIDE NON VAPOR
18-301818	3/V390P/ MIDDLE NON VAPOR
19-301818	3/V390P/ RIGHT SIDE NON VAPOR
20-301818	3/V389P/ LEFT SIDE NON VAPOR
21-301818	3/V389P/ RIGHT SIDE NON VAPOR
22-301818	3/V387P/ NON VAPOR

2-302003-C

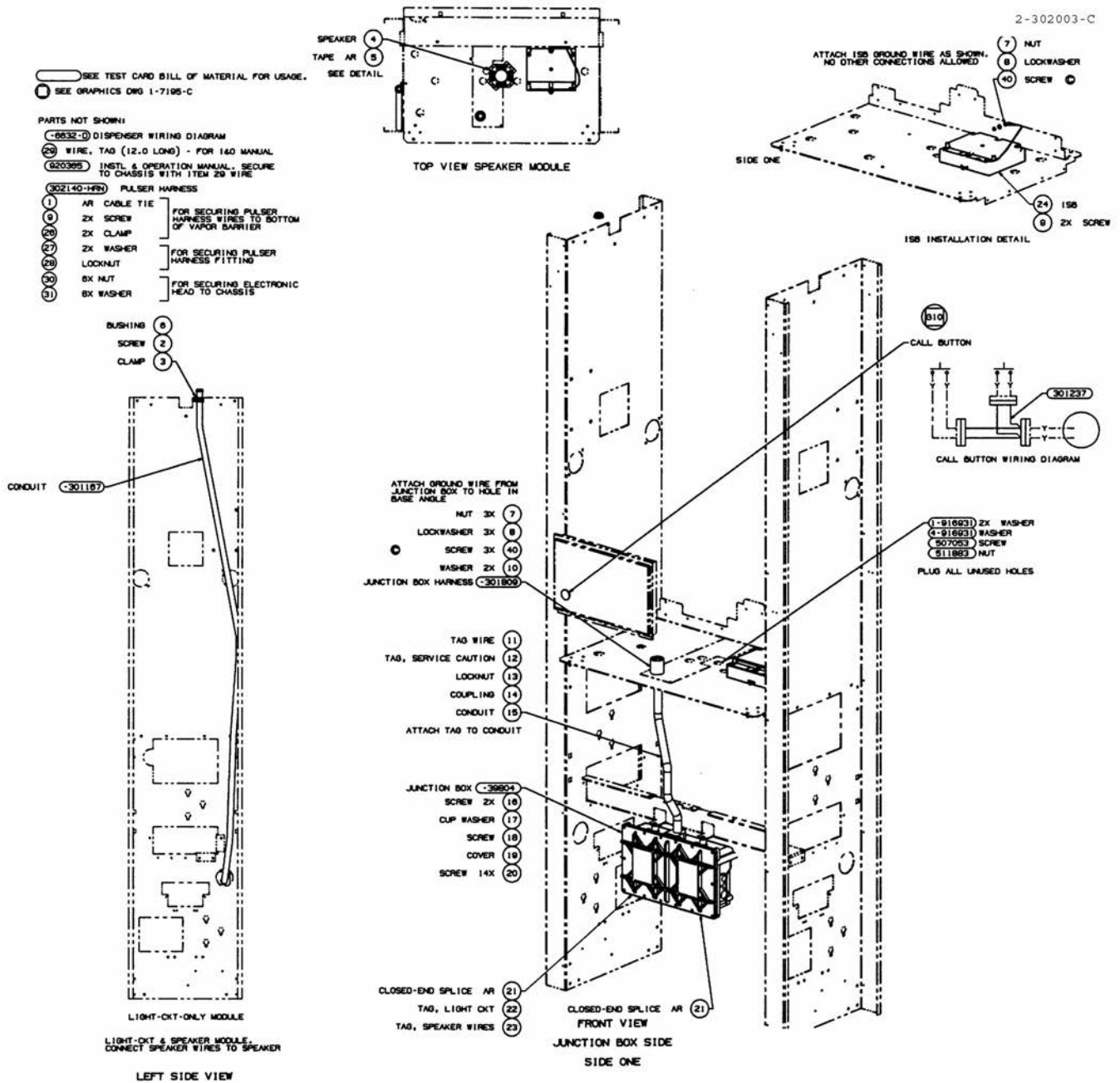


FIGURE 25. 2-302003 - ELECTRICAL MODULE 3/V REMOTE NARROW

TABLE 46. 2-302003 - ELECTRICAL MODULE 3/V REMOTE NARROW

Item No.	Part No.	Qty.	Description
	002-302003-		MOD,ELEC NARROW REMOTE 3/
DWG	002-302003-DWG		MOD,ELEC NARROW REMOTE 3/
	001-007195-00C		GUIDE,GRAPHICS PLACEMENT(SEE TABLE 1.)
	302140-HRN	1	PULSER WIRE HARNESS (SEE TABLE 51.)
	301809	1	JUNCTION BOX WIRE HARNESS (SEE TABLE 52.)
	301237	1	CALL BUTTON WIRE HARNESS (SEE TABLE 53.)
	301167	1	SPEAKER WIRE CONDUIT (SEE TABLE 50.)
	39804	1	JUNCTION BOX (SEE TABLE 49.)
1	-513210-		CABLE TIE .10"W X 4.00"L
7	-507868-	4	NUT 8-32 HXNTMSSTZY
8	-916736-	4	WSHR LK#8 ETLWMDSSPA U.L.
9	-918935-	4	SCREW,#8-32X1/4" PP M/S
10	005-126817-	2	WASHER,FLAT
11	-907528-	1	WIRE M#26 8 1/2LONG TAG
12	-001880-00A	1	TAG
13	-512724-	1	LOCK N3/4 NPSL CONDUIT
14	-129710-	1	COUPLING
15	003-302070-	1	JBOX,CONDUIT
16	-916636-	2	WAHH S1/4-20X1/2 BLKROLOK
17	-916877-	1	CUP W#10-H TERMINAL
18	-916591-	1	SLWA S#10-32X3/8 GREEN
19	-039778-	1	JUNCT. BOX COVER DIE CAS.
20	003-916695-	14	H.H TAPTITE SCR. 1/4-20X1
21	-913824-	2	SPLICE CLOSED END (U.L. R
24	005-300825-	1	ISB,ASSY IGEN SEE SHARED ASSY MANUAL PART NO. 920345
26	003-916743-	2	CLAMP,CABLE
27	003-126817-	2	WASHER-FLAT
28	004-129498-	1	LOCKNUT,CONDUIT
29	-907529-	1	WIRE M#26 12LONG TAG
30	-918210-	8	NUT 1/4-20 HXNTLKSTZN ELA
31	-905245-	6	WSHR 1/4 FWSTCD
40	-918137-	4	SCR 8-32X1/2 PHMSPHG2CD/Z

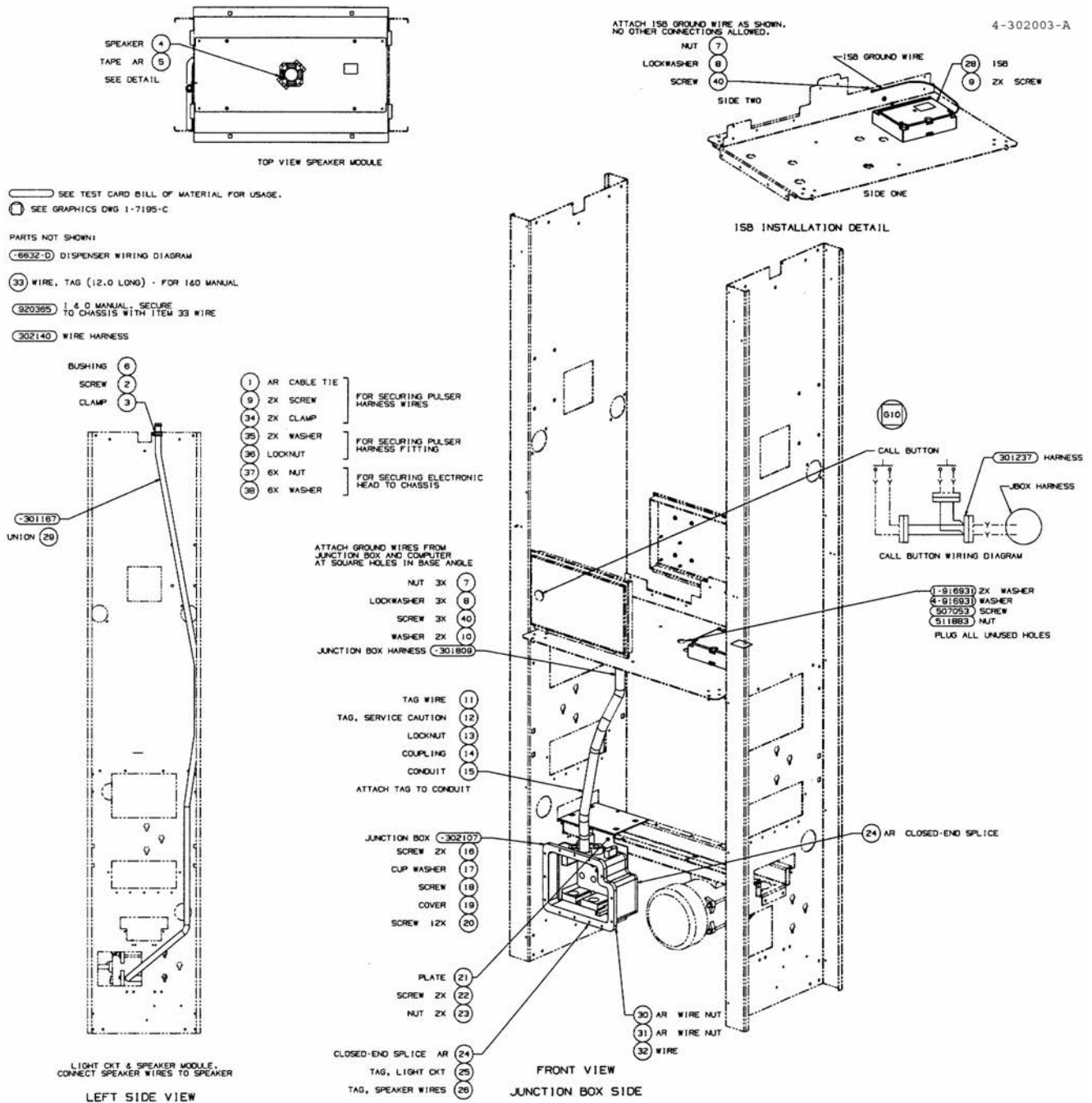


FIGURE 26. 4-302003-DWG - ELECTRICAL MODULE 3/V SUCTION NARROW

TABLE 47. 4-302003 - ELECTRICAL MODULE 3/V SUCTION NARROW

Item No.	Part No.	Qty.	Description
	004-302003-		MOD,ELEC SUC NARROW
DWG	004-302003-DWG		MOD,ELEC SUC NARROW
	001-007195-00C		GUIDE,GRAPHICS PLACEMENT (SEE TABLE 1.)
	302140	1	PULSER WIRE HARNESS (SEE TABLE 51.)
	301809	1	JUNCTION BOX WIRE HARNESS (SEE TABLE 52.)
	301237	1	CALL BUTTON WIRE HARNESS (SEE TABLE 53.)
	301167	1	SPEAKER WIRE CONDUIT (SEE TABLE 50.)
	302107	1	JUNCTION BOX (SEE TABLE 48.)
1	-513210-	1	CABLE TIE .10"W X 4.00"L
7	-507868-	4	NUT 8-32 HXNTMSSTZY
8	-916736-	4	WSHR LK#8 ETLWMDSSPA U.L.
9	-918935-	4	SCREW,#8-32X1/4" PP M/S
10	005-126817-	2	WASHER,FLAT
11	-907528-	1	WIRE M#26 8 1/2LONG TAG
12	-001880-00A	1	TAG
13	-512724-	1	LOCK N3/4 NPSL CONDUIT
14	-129710-	1	COUPLING
15	004-302070-	1	JUNCTION BOX CONDUIT-SUCT
16	-916636-	2	WAHH S1/4-20X1/2 BLKROLOK
17	-916877-	1	CUP W#10-H TERMINAL
18	-916591-	1	SLWA S#10-32X3/8 GREEN
19	-046539-	1	COVER JUNCTION BOX
20	003-916695-	12	H.H TAPTITE SCR. 1/4-20X1
21	001-301765-	1	PLATE,MOUNTING,MTR&J BOX
22	-507284-	2	BLT 5/16-18X3/4 HHCSUNG2C
23	-509584-	2	NUT 5/16-18 HXNTMSSTZN
24	-913824-		SPLICE CLOSED END (U.L. R
28	005-300825-	1	ISB,ASSY IGEM
30	-906441-		WIRE NUT ORG 600V MAX 105
31	-902365-		CONN MIDEAL#74B WIRENUT
32	056-200412-06E	1	WIRE 18 GA. ORANGE STR.
33	-907529-	1	WIRE M#26 12LONG TAG
34	003-916743-	2	CLAMP,CABLE
35	003-126817-	2	WASHER-FLAT
36	004-129498-	1	LOCKNUT,CONDUIT
37	-918210-	8	NUT 1/4-20 HXNTLKSTZN ELA
38	-905245-	8	WSHR 1/4 FWSTCD
40	-918137-	4	SCR 8-32X1/2 PHMSPHG2CD/Z

TABLE 48. 302107 - JUNCTION BOX ASSY, SUCTION 3/V

Part No.	Description
1-302107	JUNCTION BOX ASSY 2 MOTORS
2-302107	JUNCTION BOX ASSY 2 MOTORS/SPK,LIGHT
3-302107	JUNCTION BOX ASSY 3 MOTORS
4-302107	JUNCTION BOX ASSY 3 MOTORS/SPK,LIGHT
5-302107	JUNCTION BOX ASSY 1 MOTOR
6-302107	JUNCTION BOX ASSY 1 MOTOR/SPK,LIGHT
7-302107	JUNCTION BOX ASSY 2 MOTORS(3 PHASE)
8-302107	JUNCTION BOX ASSY 2 MOTORS (3 PHASE)/SPK,LIGHT
9-302107	JUNCTION BOX ASSY 3 MOTORS (3 PHASE)
10-302107	JUNCTION BOX ASSY 3 MOTORS (3 PHASE)/SPK,LIGHT
11-302107	JUNCTION BOX ASSY 1 MOTOR (3 PHASE)
12-302107	JUNCTION BOX ASSY 1 MOTOR (3 PHASE)/SPK,LIGHT

TABLE 49. 39804 - JUNCTION BOX ASSY, REMOTE 3/V

Part No.	Description
114-39804	ASSY JUNC. BOX 3/VISTA REMOTE (SPEAKER OR LIGHT CONDUIT)
116-39804	ASSY JUNC. BOX 3/VISTA REMOTE (NON SPEAKER OR LIGHT)

TABLE 50. 301167 - LIGHT / SPEAKER CONDUIT

Part No.	Description	Usage
1-301167	CONDUIT LIGHT / SPEAKER	
2-301167	CONDUIT LIGHT / SPEAKER	REMOTE, LIGHTED VALANCE OR SPEAKER OR BOTH
3-301167	CONDUIT LIGHT / SPEAKER	SUCTION, LIGHTED VALANCE
4-301167	CONDUIT LIGHT / SPEAKER	SUCTION, LIGHTED VALANCE OR SPEAKER OR BOTH
5-301167	CONDUIT LIGHT / SPEAKER	
6-301167	CONDUIT LIGHT / SPEAKER	
7-301167	CONDUIT LIGHT / SPEAKER	V595/U WITH LOW HOSE OUTLET, LIGHTED VALANCE OR SPEAKER OR BOTH

TABLE 51. 302140 - POTTED WIRE HARNESS, PULSER 3/V

Part No.	Description	Model
1-302140-HRN	POTTED HARNESS PULSER	(V390)
2-302140-HRN	POTTED HARNESS PULSER	(V390/U)
3-302140-HRN	POTTED HARNESS PULSER	(V387)
4-302140-HRN	POTTED HARNESS PULSER	(V490)
5-302140-HRN	POTTED HARNESS PULSER	(V590/U, V595/U, V580, V585)
6-302140-HRN	POTTED HARNESS PULSER	(V399, V389)
7-302140-HRN	POTTED HARNESS PULSER	(V590)
8-302140-HRN	POTTED HARNESS PULSER	(V591)
9-302140-HRN	POTTED HARNESS PULSER	(V595, V595//A)
10-302140-HRN	POTTED HARNESS PULSER	(V490/U)
11-302140-HRN	POTTED HARNESS PULSER	(V388)

TABLE 52. 301809 - POTTED WIRE HARNESS, JUNCTION BOX 3/V

Part No.	Description	Model
1-301809-HRN	JBOX WIRE HARNESS	REMOTE
3-301809-HRN	JBOX WIRE HARNESS	SUCTION

TABLE 53. 301237 - WIRE HARNESS, CALL BUTTON

Part No.	Qty.	Description
1-301237-HRN	1	CALL BUTTON HARNESS FOR TWO SIDED CALL BUTTON

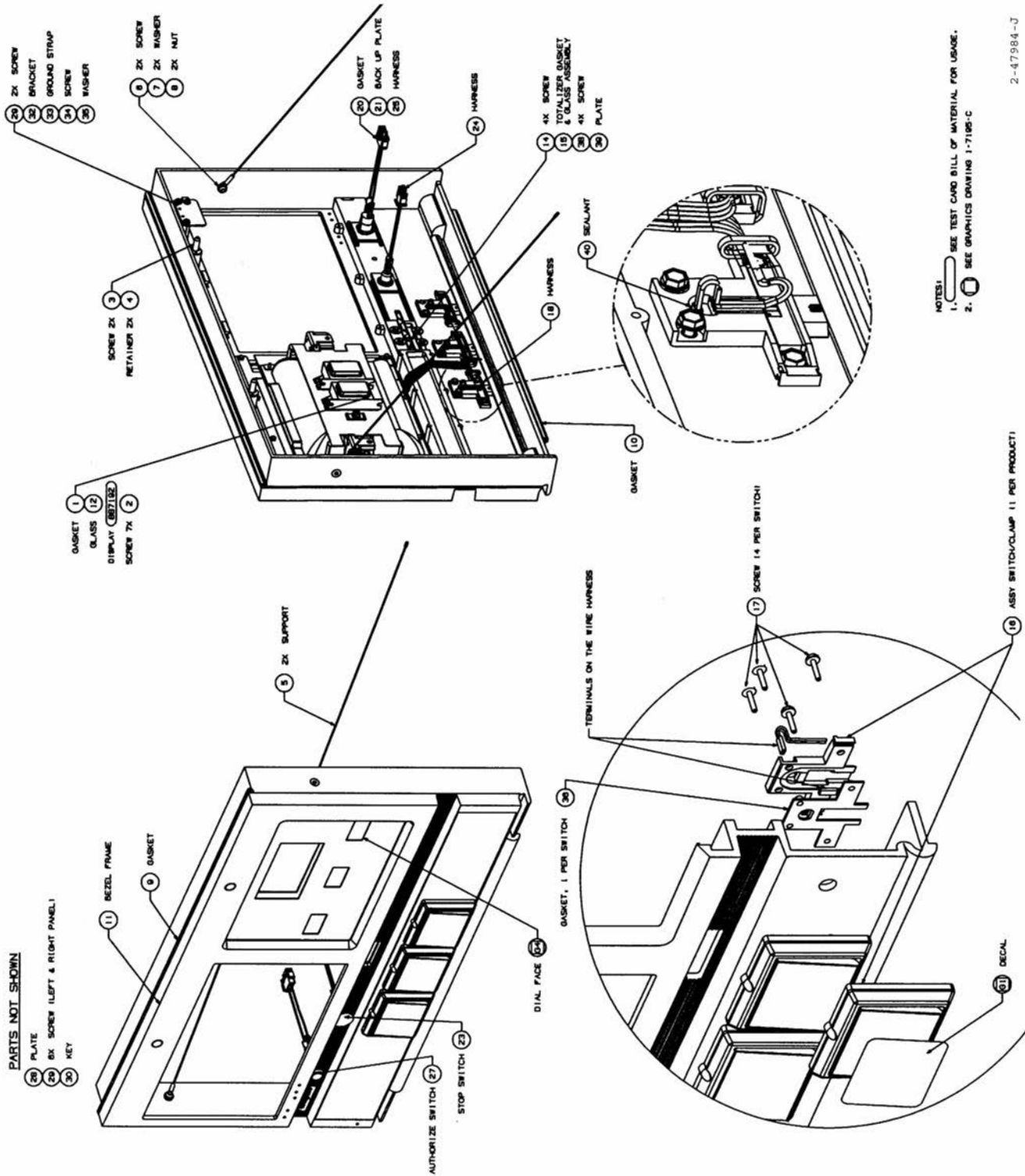


FIGURE 27. 2-47984-DWG - BEZEL MODULE 3/V NARROW

TABLE 54. BEZEL MODULE 3/V PUSH TO START BUTTON

Item No.	Part No.	Qty.	Description	Usage
DWG	002-047984-DWG	0.001	BEZEL MODULE DRAWING	NARROW BEZEL DRAWING
	887192		DISPLAY	(SEE TABLE 55.)
	001-007195-00C		GUIDE,GRAPHICS PLACEMENT	(SEE TABLE 1.)
1	001-129818-	1	GASKET, DISPLAY	ALL HINGED BEZELS
2	-916760-	8	SCREW, GLASS RETAINER	ALL HINGED BEZELS
3	001-202021-	2	SCREWS, SOUTHCO QUICK RELEASE	ALL HINGED BEZELS
4	001-301675-	2	RETAINER	ALL HINGED BEZELS
5	001-202011-	2	SUPPORT, BEZEL	ALL HINGED BEZELS
6	001-921445-	2	SCREW, #10-32	ALL HINGED BEZELS
7	-905245-	2	WASHER, #10	ALL HINGED BEZELS
8	-507827-	2	NUT, #10	ALL HINGED BEZELS
9	004-129830-	1	GASKET (28.5)	NARROW HINGED BEZELS
9	002-129830-	1	GASKET (41.5)	WIDE HINGED BEZELS
10	010-129830-	1	GASKET (22.5)	NARROW HINGED BEZELS
10	008-129830-	1	GASKET (35.25)	WIDE HINGED BEZELS
11	XXX-045579-XXX	1	NARROW BEZEL FRAMES	NARROW FRAMES
11	XXX-045578-XXX	1	WIDE BEZEL FRAMES	WIDE FRAMES
12	-300777-	1	GLASS, DISPLAY	ALL HINGED BEZELS
14	001-201928-	1	TOTALIZER GASKET & GLASS ASSY	WIDE BEZELS WITH ELECTRO-MECHANICAL TOTS
14	002-201928-	1	TOTALIZER GASKET & GLASS ASSY	NARROW BEZELS WITH ELECTRO-MECHANICAL TOTS
15	-918933-	4	SCREW, TOTALIZER GLASS	ALL BEZELS WITH ELECTRO-MECHANICAL TOTS
16	001-301751-F80	1 PER SWITCH	PTS SWITCH ASSY	USE ON BEZELS WHICH ARE F80
16	001-301751-J21	1 PER SWITCH	PTS SWITCH ASSY	USE ON BEZELS WHICH ARE NOT F80
17	003-918104-	2 PER SWITCH	SCREW, PTS SWITCH	ALL HINGED BEZELS
18	014-048042-HRN	1	HARNESS, PTS SWITCH	V595//A 1+3, V490U UNITS
18	011-048042-HRN	1	HARNESS, PTS SWITCH	V595 3+1 UNITS EXCEPT WHEN CUSTOMER IS SHELL, BP HARMONY OR AMOCO HARMONY
18	002-048042-HRN	1	HARNESS, PTS SWITCH	PTS V390, V590 UNITS OR V390U, V590U UNITS WHEN THE CUSTOMER IS CHEVRON, SHELL, BP HARMONY OR AMOCO HARMONY
18	015-048042-HRN	1	HARNESS, PTS SWITCH	V595 3+1 UNITS WHEN THE CUSTOMER IS SHELL, BP HARMONY OR AMOCO HARMONY
18	001-048042-HRN	1	HARNESS, PTS SWITCH	V390U, V590U UNITS EXCEPT WHEN TH CUSTOMER IS CHEVRON, SHELL, BP HARMONY, AMOCO HARMONY, SAM'S CLUB, BJS OR WINCO
18	016-048042-HRN	1	HARNESS, PTS SWITCH	V390U, V590U UNITS WHEN THE CUSTOMER IS SAM'S CLUB, BJ'S OR WINCO
18	007-048042-HRN	1	HARNESS, PTS SWITCH	V585 5 PRODUCT UNITS

TABLE 54. BEZEL MODULE 3/V PUSH TO START BUTTON

Item No.	Part No.	Qty.	Description	Usage
18	008-048042-HRN	1	HARNESS, PTS SWITCH	V595U 5 PRODUCT UNITS
18	009-048042-HRN	1	HARNESS, PTS SWITCH	V595 5 PRODUCT UNITS
18	013-048042-HRN	1	HARNESS, PTS SWITCH	V585 4 PRODUCT UNITS
18	010-048042-HRN	1	HARNESS, PTS SWITCH	V595U 4 PRODUCT UNITS
18	012-048042-HRN	1	HARNESS, PTS SWITCH	V490 PTS UNITS
18	006-048042-HRN	1	HARNESS, PTS SWITCH	V580 UNITS
18	005-048042-HRN	1	HARNESS, PTS SWITCH	V399 PTS UNITS
18	004-048042-HRN	1	HARNESS, PTS SWITCH	V389 PTS UNITS
18	012-048042-HRN	1	HARNESS, PTS SWITCH	V591 PTS UNITS
18	003-048042-HRN	1	HARNESS, PTS SWITCH	V387, V388 PTS UNITS
20	-129827-	1	GASKET, KEYSWITCH	USE WHEN KEY AUTHORIZE SWITCH IS REQUIRED
23	002-918509-	1	CALL BUTTON SWITCH	NARROW UNITS WITH CALL BUTTONS EXCEPT WHEN CUSTOMER IS CHEVRON OR A STOP SWITCH IS ALSO REQUIRED
23	001-918509-	1	CALL BUTTON SWITCH	NARROW UNITS WITH CALL BUTTON WHEN THE CUSTOMER IS CHEVRON EXCEPT WHEN A STOP SWITCH IS REQUIRED
23	003-918509-	1	SWITCH, STOP	ALL UNITS WHEN A STOP SWITCH IS REQUIRED
24	008-201752-HRN	1	HARNESS, STOP SWITCH	ALL UNITS THAT REQUIRE A STOP SWITCH OR FOR NARROW UNITS THAT REQUIRE CALL BUTTON
25	009-201752-HRN	1	HARNESS, KEYSWITCH AUTHORIZE	ALL UNITS THAT REQUIRE KEY AUTHORIZE SWITCH
27	006-916191-	1	KEYSWITCH	ALL UNITS THAT REQUIRE KEY AUTHORIZE SWITCH
29	-916546-	5	SCREW	ALL NARROW UNITS
29	-916546-	8	SCREW	ALL WIDE UNITS
30	001-202022-	1	KEY, SOUTHCO	ALL UNITS
31	001-301940-	1 PER SWITCH	GASKET, PTS SWITCH	ALL PTS UNITS
32	001-301821-	1	BRACKET ASSY, GROUNDING	ALL D4 UNITS
33	001-301823-	1	GROUND STRAP	ALL D4 UNITS
34	002-916607-	1	SCREW	ALL D4 UNITS
35	-513653-	1	WASHER	ALL D4 UNITS
37	001-202042-	1	PLATE-EMT SHIELD	ALL WIDE UNITS THAT HAVE ELECTRO-MECHANICAL TOTS
39	004-202042-	1	PLATE-EMT SHIELD	ALL NARROW UNITS THAT HAVE ELECTRO-MECHANICAL TOTS
40	001-921386-	0.001	SEALANT	ALL UNITS
	002-047984-DWG	0.001	BEZEL MODULE DRAWING	NARROW BEZEL DRAWING
	002-047966-DWG	0.001	BEZEL MODULE DRAWING	WIDE BEZEL DRAWING

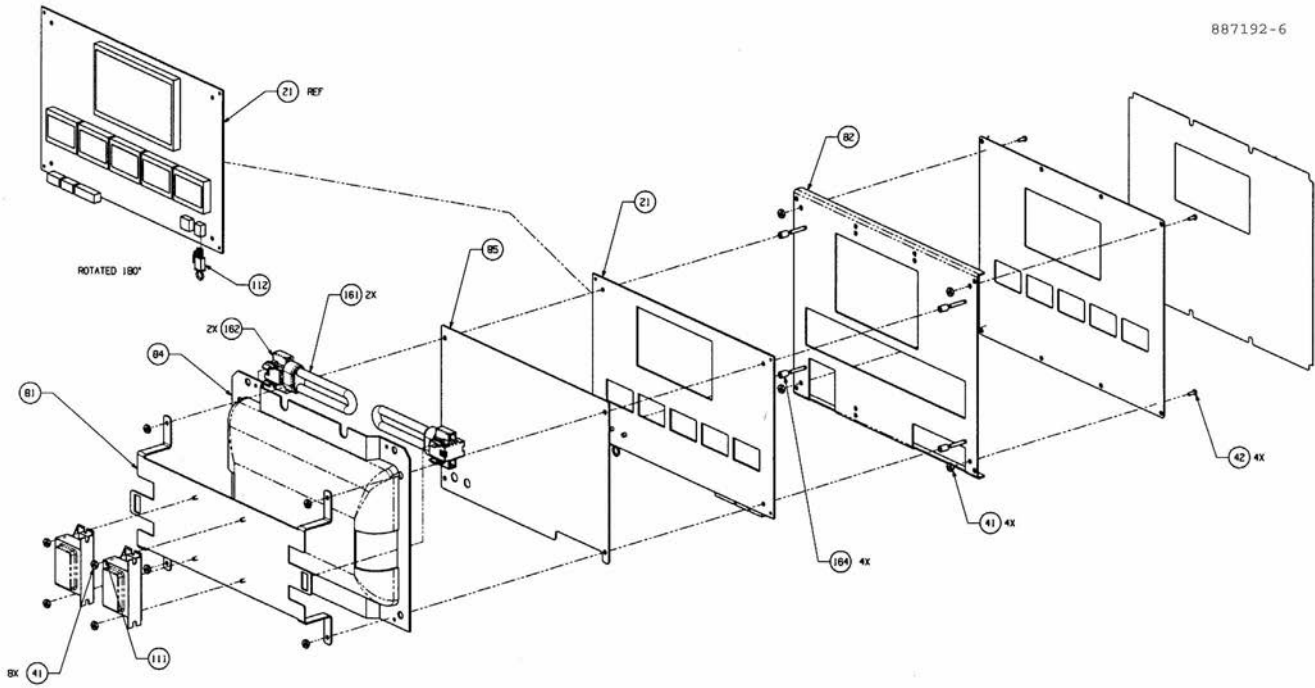


FIGURE 28. 887192-XXX - DISPLAY ASSY

TABLE 55. 887192 - DISPLAY

Item No.	Part No.	Qty.	Description
DWG	887192-XXX		DISPLAY ASSY,
21	887118-003	1	PCB ASSY,GEM DSPL, 3 PROD,
21	887118-005	1	PCB ASSY,GEM DSPL, 5 PROD,
41	6019401	8	NUT 6-32 KPNTSPSTZN
42	6005906	4	SCR 6-32X5/16 PHESPHSTPL
81	887188-001	1	BRKT,LAMP HOLDER,GEM DISP
82	887189-001	1	BRKT,GLASS RTNR,MULTI-PRO
84	881317-001	1	PAN,REFLECTOR DEM
85	887194-001	1	DIFFUSER,SALES,5 PROD DIS
111	881531-003	1	ASSY,BALLAST 120V,GEM SEE SHARED ASSY MANUAL PART NO. 920345
111	881531-004	1	ASSY,BALLAST 230V,GEM SEE SHARED ASSY MANUAL PART NO. 920345
112	887811-001	1	CABLE ASSY,DISPLAY JUMPER
161	4060703	2	LAMP FLUORESCENT BIAXIAL
162	886982-002	2	LAMPHOLDER HORIZ SNAP MT/
164	886475-001	4	SPACER 3/8 X 1/40D STEEL

887557-CFG-S1-2

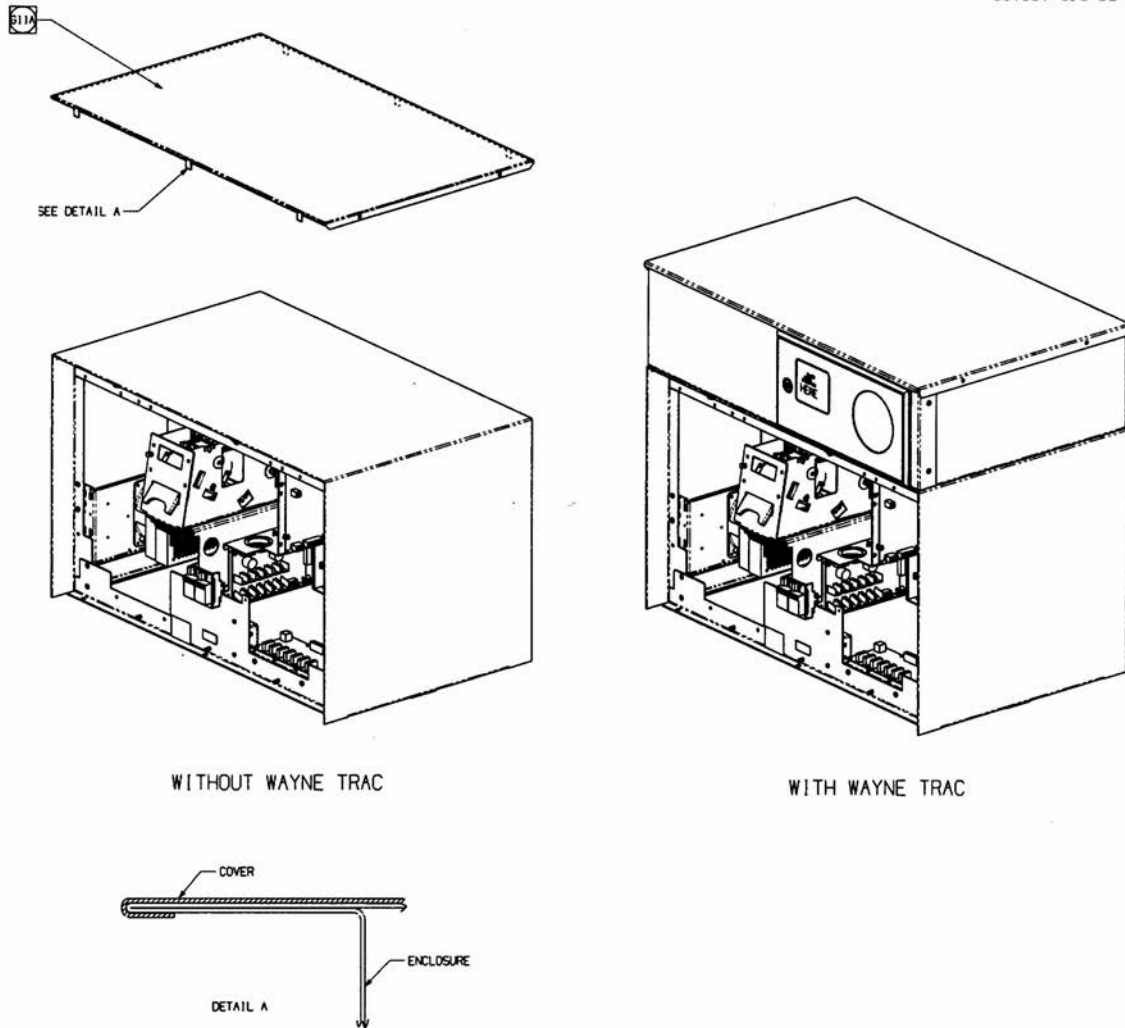


FIGURE 29. 887557-S1-CFG - ELECTRONIC HEAD MODULE 3/V NARROW

887557-CFG-S2-2

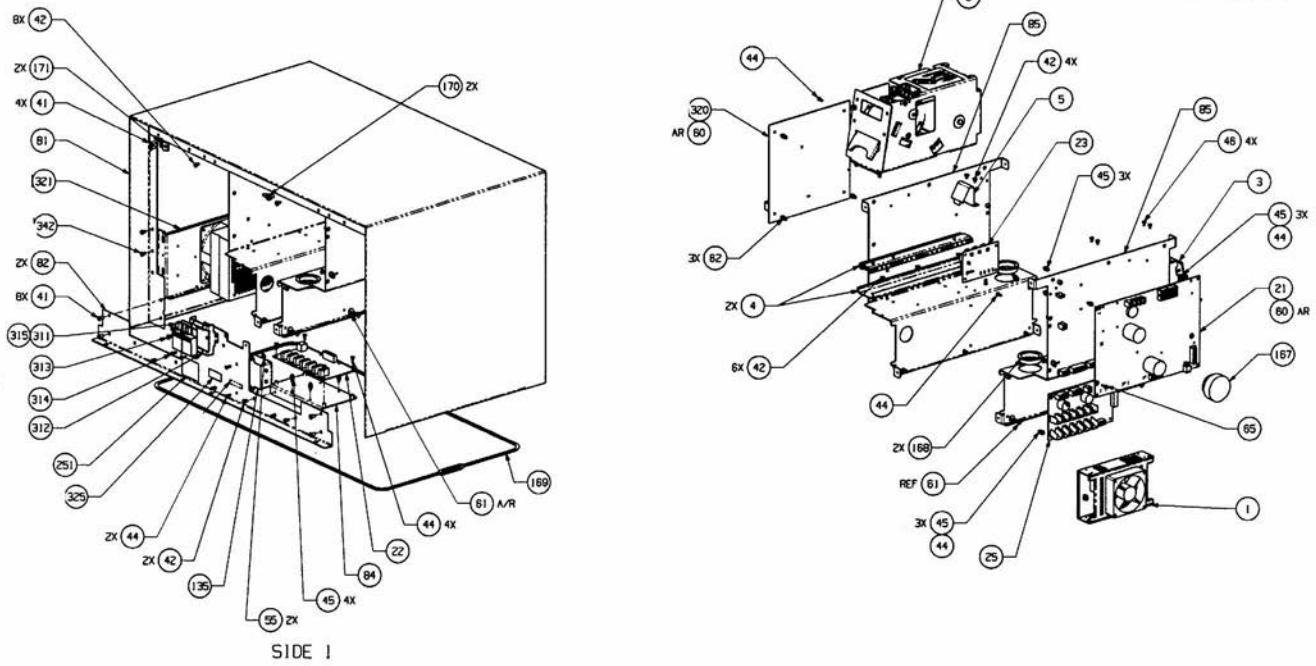


FIGURE 30. 887557-S2-CFG - ELECTRONIC HEAD MODULE 3/V NARROW

TABLE 56. ELECTRONIC HEAD PART USAGE 3/V


ItemNo.	Part No.	Qty.	Description	Model/Usage
DWG	887522-CFG	0.001	DWG, PUMPHEAD WIDE	USE FOR ALL WIDE UNITS 90 SERIES
DWG	887557-CFG	0.001	DWG, PUMPHEAD NARROW	USE FOR ALL NARROW UNITS 80 SERIES
	001-007195-00C		GUIDE, GRAPHICS PLACEMENT	(SEE TABLE 1.)
311	883540-002	4	PCB TOT	V490, V490U
311	883540-002	8	PCB TOT	V490, V490U DUAL-SIDED UNITS WHICH REQUIRE ELECTRO-MECHANICAL TOTS BOTH SIDES
311	883540-002	3	PCB TOT	V390, V390U, V595, V591
311	883540-002	6	PCB TOT	V390, V390U, V595, V591 DUAL-SIDED UNITS WHICH REQUIRE ELECTRO-MECHANICAL TOTS BOTH SIDES
311	883540-002	1	PCB TOT	V387, V388
311	883540-002	2	PCB TOT	V387, V388 DUAL-SIDED UNITS WHICH REQUIRE ELECTRO-MECHANICAL TOTS BOTH SIDES
311	883540-002	2	PCB TOT	V389, V399, V580, V585, V595U, V590U, V590
311	883540-002	4	PCB TOT	V389, V399, V580, V585, V595U, V590U, V590 DUAL-SIDED UNITS WHICH REQUIRE ELECTRO-MECHANICAL TOTS BOTH SIDES
312	001-300789-	2	TOT BRACKET	V390, V390U, V595, V591, V490, V490U
312	001-300789-	4	TOT BRACKET	V390, V390U, V595, V591, V490, V490U DUAL-SIDED UNITS WHICH REQUIRE ELECTRO-MECHANICAL TOTS BOTH SIDES
312	001-300789-	1	TOT BRACKET	V387, V388, V389, V399, V580, V585, V595U, V590U, V590
312	001-300789-	2	TOT BRACKET	V387, V388, V389, V399, V580, V585, V595U, V590U, V590 DUAL-SIDED UNITS WHICH REQUIRE ELECTRO-MECHANICAL TOTS BOTH SIDES
313	-513161-	4	SCREW	V390, V390U, V595, V591, V490, V490U DUAL-SIDED UNITS WHICH REQUIRE ELECTRO-MECHANICAL TOTS BOTH SIDES
313	-513161-	2	SCREW	V390, V390U, V595, V591, V490, V490U
313	-513161-	2	SCREW	V387, V388, V389, V399, V580, V585, V595U, V590U, V590 DUAL-SIDED UNITS WHICH REQUIRE ELECTRO-MECHANICAL TOTS BOTH SIDES
313	-513161-	1	SCREW	V387, V388, V389, V399, V580, V585, V595U, V590U, V590
314	-918915-	4	SCREW	V389, V399, V580, V585, V595U, V590U, V590
314	-918915-	8	SCREW	V389, V399, V580, V585, V595U, V590U, V590 DUAL-SIDED UNITS WHICH REQUIRE ELECTRO-MECHANICAL TOTS BOTH SIDES
314	-918915-	6	SCREW	V390, V390U, V595, V591
314	-918915-	12	SCREW	V390, V390U, V595, V591 DUAL-SIDED UNITS WHICH REQUIRE ELECTRO-MECHANICAL TOTS BOTH SIDES
314	-918915-	2	SCREW	V387, V388
314	-918915-	4	SCREW	V387, V388 DUAL-SIDED UNITS WHICH REQUIRE ELECTRO-MECHANICAL TOTS BOTH SIDES
314	-918915-	8	SCREW	V490, V490U
314	-918915-	16	SCREW	V490, V490U DUAL-SIDED UNITS WHICH REQUIRE ELECTRO-MECHANICAL TOTS BOTH SIDES
315	887596-002	1	CABLE, TOTALIZER	V389, V580, V585, V399, V590, V590U, V595U

TABLE 56. ELECTRONIC HEAD PART USAGE 3/V

ItemNo.	Part No.	Qty.	Description	Model/Usage
315	887596-003	1	CABLE, TOTALIZER	V390, V390U, V595, V591
315	887596-001	1	CABLE, TOTALIZER	V387, V388
315	887596-004	1	CABLE, TOTALIZER	V490, V490U
316	887344-005	1	CABLE ASSY, VALVE (2 VALVES)	V387
316	887344-002	1	CABLE ASSY, VALVE (2 VALVES)	V388, V389, V399, V590U, V595U, V585, V580
316	887344-001	1	CABLE ASSY, VALVE (3 VALVES)	V390, V390U
316	887344-004	1	CABLE ASSY, VALVE (4 VALVES)	V595
316	887344-003	1	CABLE ASSY, VALVE (4 VALVES)	V490, V490U
316	887344-006	1	CABLE ASSY, VALVE (5 VALVES)	V591, V590
317	887596-012	1	CABLE, TOTALIZER	V389, V580, V585, V399, V590, V590U, V595U WHICH ARE DUAL-SIDED AND REQUIRE ELECTRO-MECHANICAL TOTS ON BOTH SIDES
317	887596-013	1	CABLE, TOTALIZER	V390, V390U, V595, V591 WHICH ARE DUAL-SIDED AND REQUIRE ELECTRO-MECHANICAL TOTS ON BOTH SIDES
317	887596-011	1	CABLE, TOTALIZER	V387, V388 WHICH ARE DUAL-SIDED AND REQUIRE ELECTRO-MECHANICAL TOTS ON BOTH SIDES
317	887596-014	1	CABLE, TOTALIZER	V490, V490U WHICH ARE DUAL-SIDED AND REQUIRE ELECTRO-MECHANICAL TOTS ON BOTH SIDES
320	887500-001	1	DUAL CAT BOARD	USE FOR ALL CARD PROCESSING UNITS EXCEPT WHEN THEY HAVE CASH ACCEPTORS OR THE COUNTRY IS CANADA
320	887500-006	1	DUAL CAT BOARD	USE FOR CANADIAN UNITS WHICH ARE CARD PROCESSING EXCEPT WHEN THEY HAVE CASH ACCEPTORS
320	887500-002	1	DUAL CAT BOARD	USE FOR ALL CARD PROCESSING UNITS THAT HAVE CASH ACCEPTORS EXCEPT WHEN THE COUNTRY IS CANADA
321	883798-002	1	HEATER FAN ASSY, 115V	USE FOR ALL CARD PROCESSING 115V UNITS (SEE SHARED ASSY MANUAL 920345)
321	883798-005	1	HEATER FAN ASSY, 220V	USE FOR ALL CARD PROCESSING 220V, 230V, 240V UNITS (SEE SHARED ASSY MANUAL 920345)
322	887000-003	1	CABLE, HEATER FAN	USE FOR ALL CARD PROCESSING WIDE DUAL-SIDED UNITS
322	887000-001	1	CABLE, HEATER FAN	USE FOR ALL CARD PROCESSING NARROW DUAL SIDED UNITS OR CARD PROCESSING WIDE SINGLE-SIDED UNITS

TABLE 57. 887557-001 - ELECTRONIC HEAD MODULE 3/V NON CAT

Item No.	Part No.	Qty.	Description
	887557-001		GENERIC PARTS,NON-CAT,IGEM NAR,DS
DWG	887557-CFG	0	IGEM ASSY,NARROW
	001-007195-00C		GUIDE,GRAPHICS PLACEMENT (SEE TABLE 1.)
1	887334-001	1	PWR SUPPLY,24V 144W
21	168861	1	PCB ASSY V01 IGEM CPU US W/AMP CONN
22	887225-001	1	PCB ASSY,IGEM PUMP RELAY
23	887223-001	1	PCB ASSY,IGEM 24VOLT PWR DISTR
41	000-918286-000	12	RIVET MNOBLT 3/16DIA X .406L ST/ST
42	6032301	6	SCR 8X3/8 PH-BPHSTZN
44	6005901	6	SCR 6-32X3/8 PHESPHSTPL
45	882505-002	10	STNDOFF,SUPPORT POST,NYLON,1/4
46	6005910	4	SCR 6-32X1/4 PHESPHSTPL
60	5056102	0	BUMPER BUMPON 3M .50X.14 SJ-5012
61	000-918197-000	0	TWISTLOK PRESS-IN
64	000-918180-000	0	TWISTLOK
65	6005907	1	SCR 4-40X3/8 PHESPHSTPL
81	887308-001	1	HEAD ENCLOSURE,NARROW IGEM
82	887530-001	2	BASE ANGLE,IGEM,NARROW
84	887377-001	1	MTG BRACKET,AC DISTRIBUTION
85	887531-001	1	PRINTER BRACKET,IGEM,NARROW
100	009-129830-000	4	GASKET
101	002-202016-000	2	GASKET
112	887339-001	1	CABLE ASSY,IGEM ISB/COMP,NOZ 12"
113	887001-005	1	CABLE ASSY,16-16P RND JCKT.FLT 12"
114	887614-001	1	CABLE ASSY,LIGHT POWER,IGEM
115	887007-002	1	CABLE ASSY,GEM PMPHD COMM W/O WT
116	887338-001	1	CABLE ASSY,IGEM PWR,DIST BOARD 24"
117	887336-002	1	CABLE ASSY,COMP TO PWR DIST BD,12"
119	886486-001	1	CABLE ASSY,COMP-DISPLAY,GEM
120	886486-002	1	CABLE ASSY,10-10 PIN W/RND JKT,GEM
121	887340-001	1	CABLE ASSY,AC/RELAY TO COMP,IGEM
122	887343-001	1	CABLE ASSY,IGEM AC PWR,PS
167	886495-002	1	SUBASSY,ANNUNCIATOR,30" GEM
168	886922-002	1	GROMMET,1.75" HOLE
170	870048-001	2	ASSY,CONNECTOR BANANA JACK
171	001-921425-750	2	GASKET,SHIELDING .750LG
211	887519-001	0	IGEM WIRING DIAGRAM

TABLE 58. 887557-002 - ELECTRONIC HEAD MODULE 3/V CAT


Item No.	Part No.	Qty.	Description
	887557-002		GENERIC PARTS,CAT,IGEM NAR,DS
DWG	887557-CFG	0	IGEM ASSY,NARROW
	001-007195-00C		GUIDE,GRAPHICS PLACEMENT (SEE TABLE 1.)
3	883543-001	2	PRINTER ASSY,TEARBAR (SEE SHARED ASSY MANUAL 920345)
4	883728-001	2	SLIDE,PRINTER BASE,TBP
5	883757-001	2	SPRING,PRINTER LOADING,TBP
44	6005901	1	SCR 6-32X3/8 PHESPSTPL
60	5056102	0	BUMPER BUMPON 3M .50X.14 SJ-5012
61	000-918197-000	0	TWISTLOK PRESS-IN
62	882505-003	3	STDF,PCB,NYLON,1/4"L,#8 HOLE
64	000-918180-000	0	TWISTLOK
85	887531-001	1	PRINTER BRACKET,IGEM,NARROW
125	883924-002	2	CABLE ASSY,TB PNTR TO OCPT BD,30"
126	880566-003	1	CABLE ASSY,PTR PWR 24" HALLMARK
127	880566-001	1	CABLE ASSY,PRINTER POWER,36"
128	887335-002	1	CABLE ASSY,PWR DIST BD>DUAL CAT,45"
129	883979-003	1	CABLE ASSY,ETHERNET 10BASE T 3FT
130	883979-004	1	CABLE ASSY,ETHERNET 10BASE T 4FT
132	886909-001	1	CABLE ASSY,ANNUN,GEM TO DUAL CAT
164	5057502	1	GROMMET 7/8 ID X 1"HOLE X 5/16 THK
168	886922-002	1	GROMMET,1.75" HOLE
211	887519-001	0	IGEM WIRING DIAGRAM
942	6032301	20	SCR 8X3/8 PH-BPHSTZN

TABLE 59. 887557-003 & 005 THRU 025 - ELECTRONIC HEAD MODULE 3/V WAYNE TRAC



Item No.	Part No.	Qty.	Description
DWG	887557-CFG	0	IGEM ASSY,NARROW
	001-007195-00C		GUIDE,GRAPHICS PLACEMENT (SEE TABLE 1.)
8	887559-002	1	ENCL ASSY, WTRAC, V80, IGEM 887557-003 ONLY (SEE TABLE 61.)
8	887559-001	1	ENCL ASSY, WTRAC, V80HB, MOBIL, SINGLE SIDED 887557-007 ONLY (SEE TABLE 61.)
8	887559-004	1	ENCL ASSY, WTRAC, V80HB, HH MOB IGEM 887557-008 ONLY (SEE TABLE 61.)
8	887559-003	1	ENCL ASSY, WTRAC, V80HB, HH MOB, SINGLE SIDED 887557-009 ONLY (SEE TABLE 61.)
8	887559-009	1	ENCL ASSY, WTRAC, V80HB, BLU-PEG DS 887557-009 ONLY (SEE TABLE 61.)
8	887559-005	1	ENCL ASSY, WTRAC, V80HB, BLU-PEG SINGLE SIDED 887557-011 ONLY (SEE TABLE 61.)
8	887559-012	1	ENCL ASSY, WTRAC, V80HB, HH BLU-PEG DS 887557-012, 022 ONLY (SEE TABLE 61.)
8	887559-013	1	ENCL ASSY, WTRAC, V80HB, HH BLU-PEG SINGLE SIDED 887557-013 ONLY (SEE TABLE 61.)
8	887559-010	1	ENCL ASSY, WTRAC, V80HB, BLU-TGR DS 887557-014 ONLY (SEE TABLE 61.)
8	887559-006	1	ENCL ASSY, WTRAC, V80HB, BLU-TGR SINGLE SIDED 887557-015 ONLY (SEE TABLE 61.)
8	887559-018	1	ENCL ASSY, WTRAC, V80HB, HH BLU-TGR DS 887557-016 ONLY (SEE TABLE 61.)
8	887559-014	1	ENCL ASSY, WTRAC, V80HB, HH BLU-TGR SINGLE SIDED 887557-017 ONLY (SEE TABLE 61.)
8	887559-011	1	ENCL ASSY, WTRAC, V80HB, GRY-PEG DS 887557-018 ONLY (SEE TABLE 61.)
8	887559-007	1	ENCL ASSY, WTRAC, V80HB, GRY-PEG SINGLE SIDED 887557-019 ONLY (SEE TABLE 61.)
8	887559-019	1	ENCL ASSY, WTRAC, V80HB, HH GRY-PEG DS 887557-020 ONLY (SEE TABLE 61.)
8	887559-015	1	ENCL ASSY, WTRAC, V80HB, HH GRY-PEG SINGLE SIDED 887557-021 ONLY (SEE TABLE 61.)
8	887559-008	1	ENCL ASSY, WTRAC, V80HB, GRY-TGR SINGLE SIDED 887557-023 ONLY (SEE TABLE 61.)
8	887559-020	1	ENCL ASSY, WTRAC, V80HB, HH GRY-TGR 887557-024 ONLY (SEE TABLE 61.)
8	887559-016	1	ENCL ASSY, WTRAC, V80HB, HH GRY-TGR SINGLE SIDED 887557-025 ONLY (SEE TABLE 61.)
44	6005901	2	SCR 6-32X3/8 PHESPHSTPL
55	6019401	2	NUT 6-32 KPNTSPSTZN
135	888129-001	1	ASSY,EMI FILTER,IGEM
152	887800-001	1	CABLE ASSY AC PWR EXTENSION
211	887519-001	0	IGEM WIRING DIAGRAM
944	6005901	8	SCR 6-32X3/8 PHESPHSTPL

TABLE 60. 887557-004 - ELECTRONIC HEAD MODULE 3/V WAYNE VAC

Item No.	Part No.	Qty.	Description
	887557-004		GENERIC PARTS,WAYNE VAC,IGEM NAR
DWG	887557-CFG	0	IGEM ASSY,NARROW
	001-007195-00C		GUIDE,GRAPHICS PLACEMENT (SEE TABLE 1.)
25	887227-001	1	PCB ASSY,IGEM WAYNE VAC
44	6005901	1	SCR 6-32X3/8 PHESPHSTPL
45	882505-002	3	STNDOFF,SUPPORT POST,NYLON,1/4
133	886905-002	1	CABLE ASSY,20P-20P FLAT CABLE,12"
134	887337-002	1	CABLE ASSY,WVAC TO PWR DIST BD,15"
211	887519-001	0	IGEM WIRING DIAGRAM

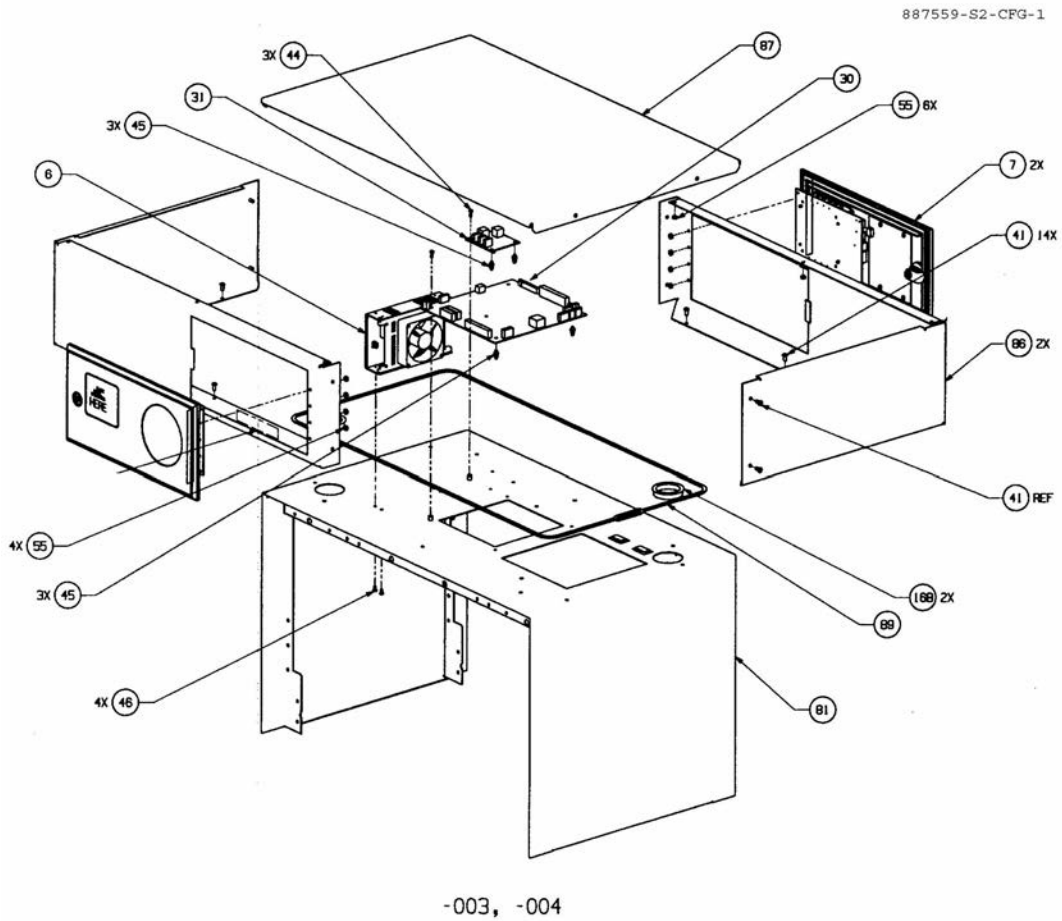


FIGURE 32. 887559-S2-CFG - WAYNE TRAC ENCLOSURE ASSY, 3/4 NARROW

TABLE 61. 887559-001 THRU 020 - WAYNE TRAC ENCLOSURE ASSY, 3/V NARROW

Item No.	Part No.	Qty.	Description
DWG	887559-CFG	0	ENCL ASSY,WAYNE TRAC,V80HB,IGEM
	001-007195-00C		GUIDE,GRAPHICS PLACEMENT (SEE TABLE 1.)
1	887343-002	1	CABLE ASSY,IGEM WT 80 AC PWR, P5 887559-003, 013, 014, 015, 016 ONLY
6	887334-001	1	PWR SUPPLY,24V 144W
7	886161-001	2	BEZEL ASSY,AUTH LT,WT,V80, BLACK (J21) 887559-001, 002, 003, 004 ONLY
7	886161-002	1	BEZEL ASSY,AUTH LT,WT,NRW, BLUE ,PEG 887559-005, 009, 013, 017 ONLY
7	886161-003	1	BEZEL ASSY,AUTH LT,WT,NRW, GREY ,PEG 887559-007, 011, 015, 019 ONLY
7	886161-004	1	BEZEL ASSY,AUTH LT,WT,NRW, BLUE-TGR 887559-006, 010, 014, 018 ONLY
7	886161-005	1	BEZEL ASSY,AUTH LT,WT,NRW, GREY-TGR 887559-008, 012, 016, 020 ONLY
29	886020-001	1	CARRIER BOARD/RFM ASSY
30	886070-003	1	DUSA/UHF RECEIVER ASSY 887559-001, 002 ONLY
30	883970-020	1	PRGMD,ASSY,CAT FS IWTC 887559-003, 004, 013, 014, 015, 016, 017, 018, 019, 020 ONLY
30	886070-002	1	DCB/UHF RECIEVER ASSY 887559-005, 006, 007, 008, 009, 010, 011, 012 ONLY
31	886940-001	1	PCB ASSY,GEM US CID POWER INCON
41	000-918286-000	14	RIVET MNOBLT 3/16DIA X .406L ST/ST
44	6005901	6	SCR 6-32X3/8 PHEPHSTPL
45	882505-002	6	STNDOFF,SUPPORT POST,NYLON,1/4
55	6019401	14	NUT 6-32 KPNTSPSTZN
58	6000610	4	SCR 4-40X3/4 PHMSPHSSPA
81	887308-002	1	HEAD ENCLOSURE,NARROW IGEM,WT
86	887071-001	2	CAB FRAME,WTRAC,NRW,GEM,J21 (BLACK) 887559-001, 002, 003, 004 ONLY
86	887071-003	1	CAB FRAME,WTRAC,NRW,GEM B39 (BLUE) 887559-005, 006, 009, 010, 013, 014, 017, 018 ONLY
86	887071-005	1	CAB FRAME,WTRAC,NRW,GEM,F21 (GREY) 887559-007, 008, 011, 012, 015, 016, 019, 020 ONLY
87	887072-001	1	TOP SHEATH,WTRAC,NRW,GEM,BLK(J21) (BLACK) 887559-001, 002, 003, 004 ONLY
87	887072-002	1	TOP SHEATH,WTRAC,NRW,BLU(B39)(BLUE) 887559-005, 006, 009, 010, 013, 014, 017, 018 ONLY
87	887072-003	1	TOP SHEATH,WTRAC,NRW,GRY(F21) (GREY) 887559-007, 008, 011, 012, 015, 016, 019, 020 ONLY
88	886149-001	1	BRACKET,RF/CARRIER,WAYNE TRAC
89	000-129818-001	8.75	GASKET
90	887071-002	1	CAB FRAME,WTRAC,NRW,GEM,BLANK,J21 (BLACK) SINGLE SIDED 887559-001, 003 ONLY
90	887071-004	1	CAB FRAME,WTRAC,NRW,GEM,BLANK,B39 (BLUE) SINGLE SIDED 887559-005, 006, 013, 014 ONLY
90	887071-006	1	CAB FRAME,WTRAC,NRW,GEM,BLANK,F21 (GREY) SINGLE SIDED 887559-007, 008, 016 ONLY
91	886998-002	1	CABLE ASSY,DCB TO WT 80 PWR DIST BD
92	887343-002	1	CABLE ASSY,IGEM WT 80 AC PWR, P5

TABLE 61. 887559-001 THRU 020 - WAYNE TRAC ENCLOSURE ASSY, 3/4 NARROW

Item No.	Part No.	Qty.	Description
150	887578-002	1	WIRE HARNESS,I80H,VH,DS 887559-002, 009, 010, 011, 012 ONLY
150	887579-002	1	WIRE HARNESS,I80HB,HH,DS 887559-003, 004, 013, 014, 015, 016, 017, 018, 019, 020 ONLY
150	887578-001	1	WIRE HARNESS,I80HB,VH,SS SINGLE SIDED 887559-001, 005, 006, 007, 008 ONLY
168	886922-002	2	GROMMET,1.75" HOLE
170	7000301	0	SEALANT ADHESIVE SILICONE RUBBER
211	887519-001	0	IGEM WIRING DIAGRAM

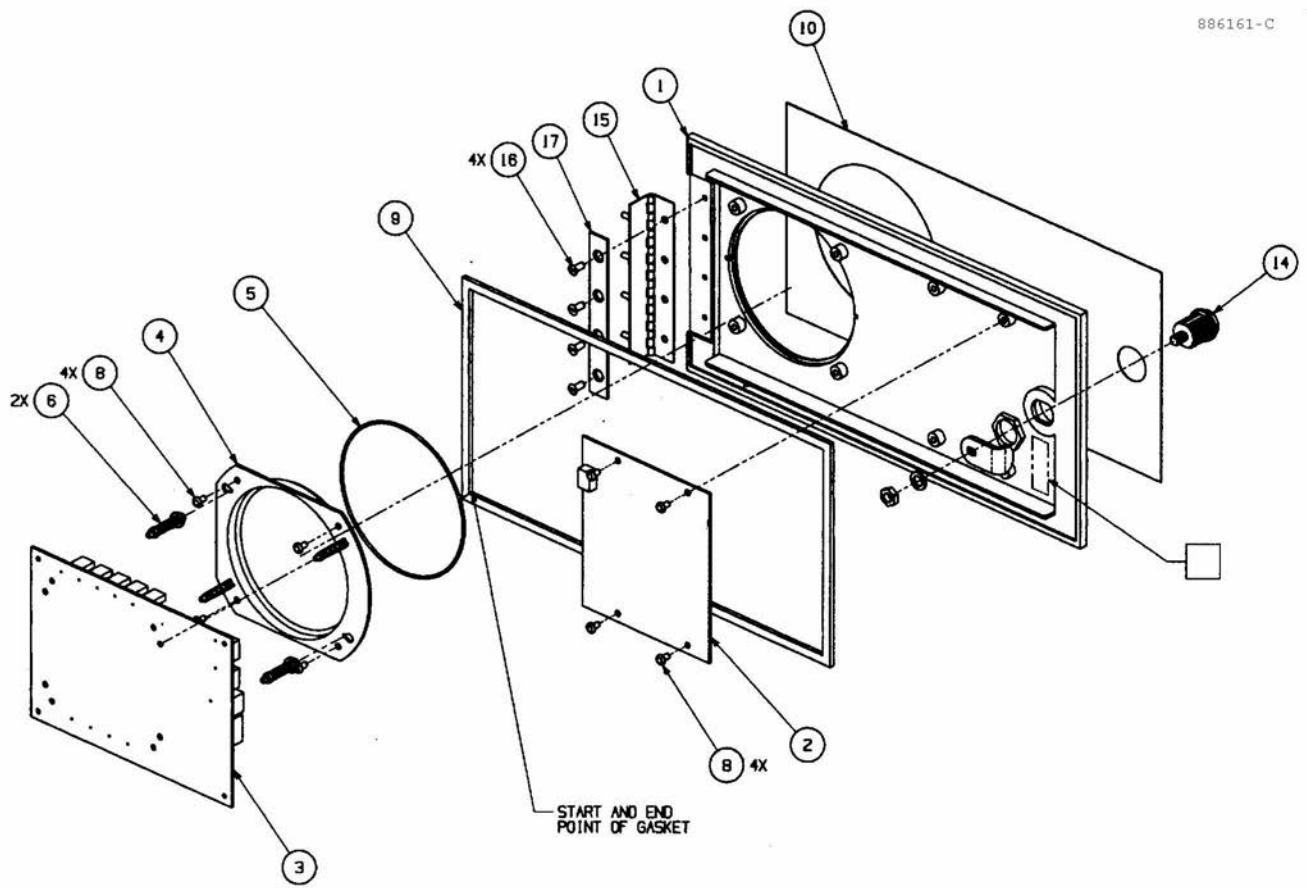


FIGURE 33. 886161-CFG - BEZEL ASSY, WAYNE TRAC AUTHORIZE LIGHT, 3V NARROW

TABLE 62. 886161-001 THRU -005 - BEZEL ASSY, WAYNE TRAC, 3/V NARROW

Item No.	Part No.	Qty.	Description
DWG	886161-CFG		BEZEL ASSY,AUTH LT,WT,V80
1	884286-011	1	PANEL,PAINTED,WTRAC,V80 B (886161-001 ONLY)
1	884286-012	1	PANEL,PAINTED,WTRAC,V80,B (886161-002 & 004 ONLY)
1	884286-013	1	PANEL,PAINTED,WTRAC,V80,G (886161-003 & 005 ONLY)
2	884142-002	1	PCB ASSY MICRORDR ANTENNA
3	884140-001	1	PCB ASSY,LITE/MICRORDR
4	886895-001	1	LENS/LITE PCB RETAINER,WA
5	884241-001	1	ORING4.25X4.38-.070DIA.70
6	882413-003	2	STANDOFF,KEY SLOT,NYLON 1
7	6005901	2	SCR 6-32X3/8 PHESPHSTPL
8	6005910	8	SCR 6-32X1/4 PHESPHSTPL
9	886158-001	1	GASKET,BEZEL,WAYNE TRAC
10	884317-105	1	DECAL,MOBIL SPD PSS W/PEG, (886161-001 ONLY)
10	884317-015	1	DECAL,WTRAC,SPDPSS W/PEG, (886161-002 ONLY)
10	884317-016	1	DECAL,WTRAC,SPDPSS W/PEG, (886161-003 ONLY)
10	884317-011	1	DECAL,WTRAC,SPDPSS W/TGR, (886161-004 ONLY)
10	884317-012	1	DECAL,WTRAC,SPDPSS W/TGR, (886161-005 ONLY)
14	881141-001	1	LOCK,PTR DOOR 90 DEG BLK
15	886156-001	1	HINGE,WAYNE TRAC,80 SERIE
16	886162-001	4	SCR #8X3/8 FOPTPHSTZN HI/
17	886157-001	1	HINGE PLATE,WAYNE TRAC
18	881141-005	1	KEY,LOCK STANDARD VISTAPA

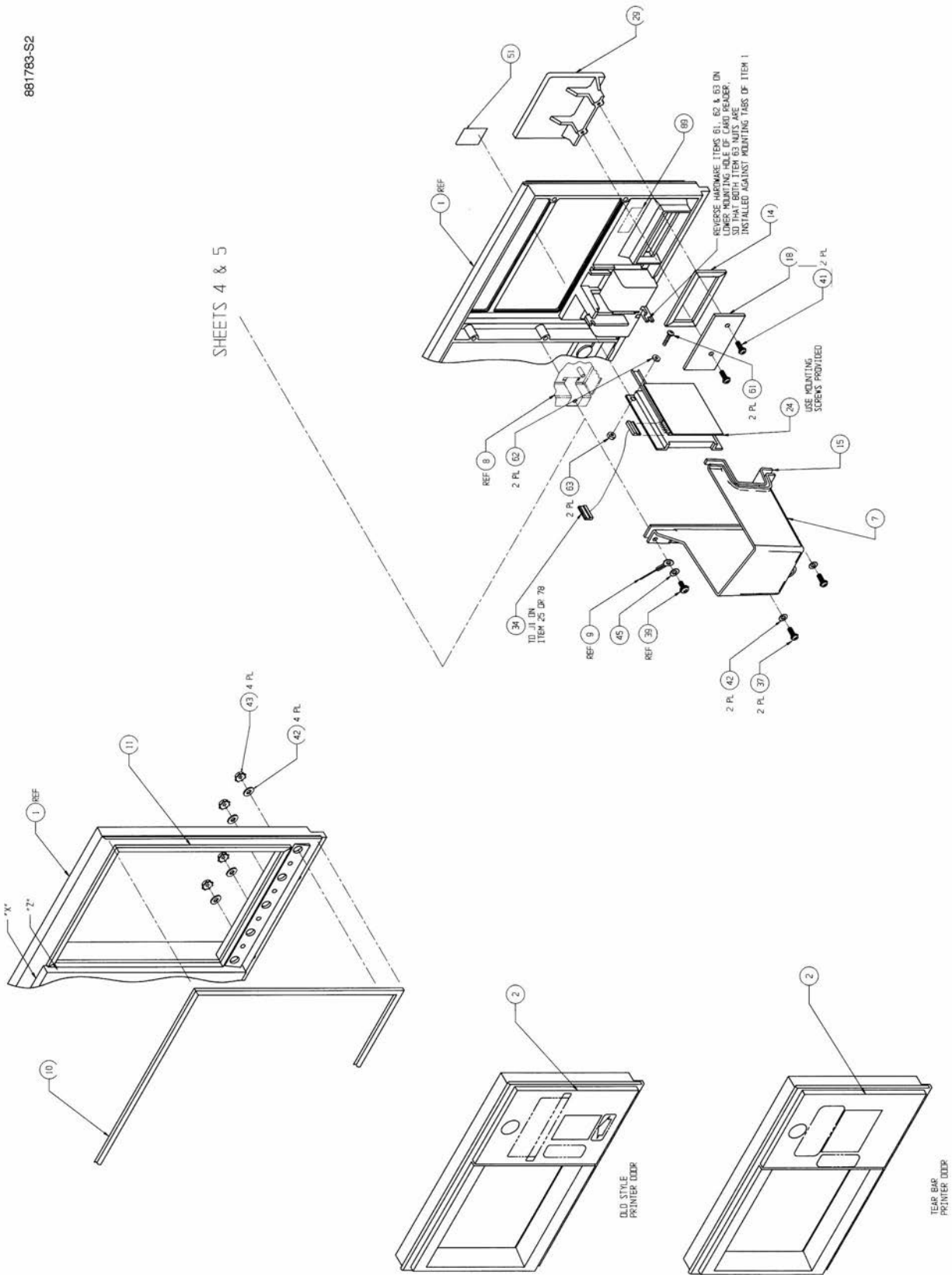


FIGURE 35. 881783-S2-CFG - CPM BEZEL ASSEMBLY

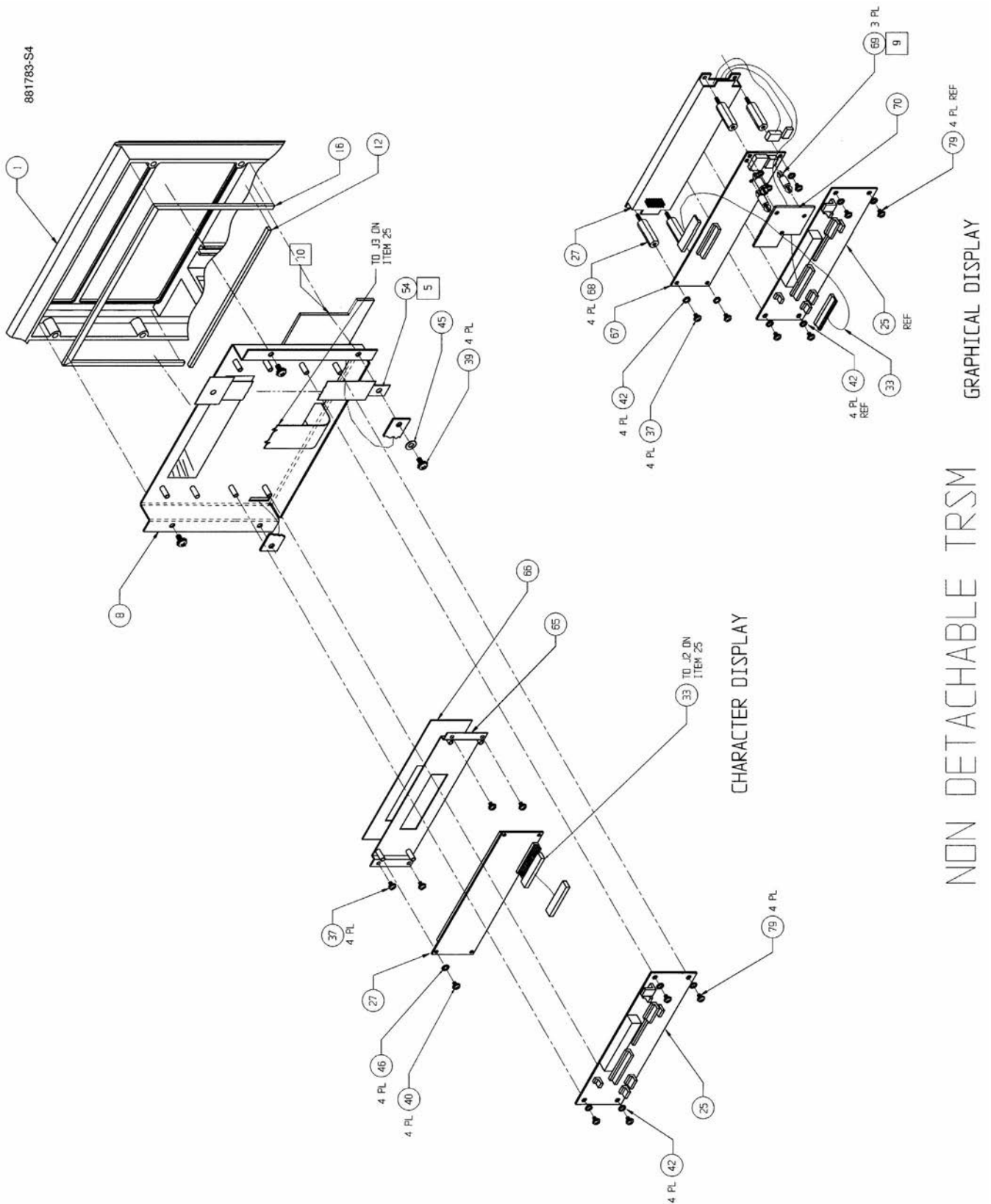


FIGURE 37. 881783-S4-CFG - CPM BEZEL ASSEMBLY

TABLE 63. 886148-001 - CPM CAT MODULE

Item No.	Part No.	Qty.	Description
	886148-001		CAT MODULE GENERIC,CPM
DWG	881783-S1, S2, S3 & S4- CFG	0	BEZEL ASSY,CPM
7	881127-001	1	ENCL,WATER RETENTION VISTAPAY
10	880452-001	1	GASKET,I/F FRAME VISTA BEZEL DCPT
11	881163-003	1	GASKET,PRINTER DOOR VISTAPAY
12	881163-004	1	GASKET,KEYPAD/LENS LOWER VISTAPAY
15	881163-010	1	GASKET,ENCLOSURE WATER RETENTION
16	881163-015	1	GASKET,KEYPAD/LENS,UPPER,VP,GD
24	882106-001	1	CARD READER,MAG,CAT
34	850350-001	1	ASSY,CABLE CARD READER (W34)
37	6005901	2	SCR 6-32X3/8 PHESPHSTPL
39	6006001	4	SCR 8-32X1/2 PHESPHSTPL
42	6010701	6	WSHR #6 .156X.312X.032 FWSSPA
43	6019401	4	NUT 6-32 KPNTSPSTZN
45	6010902	2	WSHR #8 .173X.375X.034 FWSSPA
51	882591-001	1	DECAL,CARD READER,GENERIC
61	6000607	2	SCR 4-40X1/2 PHMSPHSSPA
62	6010303	2	WSHR #4 .125X.312X.032 FWSSPA
63	6019402	2	NUT 4-40 KPNTMSSTZN
89	886440-001	1	LABEL,CUSTOMER PAYMENT MODULE

TABLE 64. CPM 2/VISTA, GRAPHICS DISPLAY, DES

Item No.	Part No.	Qty.	Description
DWG	881783-S1, S2, S3 & S4-CFG	0	BEZEL ASSY,CPM
1	882589-XXX	2	BEZEL,PAINTED BLACK,GD
2	883935-XXX	2	BEZEL DOOR,PAINTED,TBP,BK
8	883325-XXX	2	KYPD,CPM,DTRSM,DES,GENRIC (SEE TABLE 69.)
14	881163-008	2	GASKET,BACKPLATE CASH
18	881326-001	2	BACKPLATE CASH COVER V-P
29	882590-XXX	2	COVER,PAINTED,BLACK,GD
41	-916545-	4	PLWA S#8-3/8LOCK RIBS T30
67	886142-002	2	PCB ASSY,BEZEL CONTROL,ST
74	882864-002	2	DECAL, RECEIPT HERE
1013	886148-001	2	CAT MODULE,GENERIC,CPM (SEE TABLE 63.)
1020	886145-001	2	GRAPHIC DISPLAY,CPM&KDC (SEE TABLE 68.)
1021	886146-001	2	PRINTER DOOR ASSY,TBP (SEE SHARED ASSY MANUAL 920345)

TABLE 65. CPM 2/VISTA, GRAPHICS DISPLAY, ND1

Item No.	Part No.	Qty.	Description
DWG	881783-S1, S2, S3 & S4-CFG	0	BEZEL ASSY,CPM
1	882589-XXX	2	BEZEL,PAINTED BLACK,GD
2	883935-XXX	2	BEZEL DOOR,PAINTED,TBP,BK
8	883325-XXX	2	KYPD ASSY,CPM,19K,GENERIC (SEE TABLE 69.)
14	881163-008	2	GASKET,BACKPLATE CASH
18	881326-001	2	BACKPLATE CASH COVER V-P
29	882590-XXX	2	COVER,PAINTED,BLACK,GD
33	850006-001	2	CABLE OCPT/CTRL BD
41	-916545-	4	PLWA S#8-3/8LOCK RIBS T30
67	882440-002	2	ASSY,PCB DSPL I/F CCFL
74	882864-002	2	DECAL, RECEIPT HERE
78	883074-001	2	ASSY,PCB VISTA CAT ANNUN
1013	886148-001	2	CAT MODULE,GENERIC,CPM (SEE TABLE 63.)
1020	886145-001	2	GRAPHIC DISPLAY,CPM&KDC (SEE TABLE 68.)
1021	886146-001	2	PRINTER DOOR ASSY,TBP (SEE SHARED ASSY MANUAL 920345)
1023	886147-001	2	PIN SECURITY,NDES,CPM

TABLE 66. CPM GRAPHICS DISPLAY DES READY

Item No.	Part No.	Qty.	Description
DWG	881783-S1, S2, S3 & S4-CFG	0	BEZEL ASSY,CPM
1	882589-XXX	2	BEZEL,PAINTED BLACK,GD
2	883935-XXX	2	BEZEL DOOR,PAINTED,TBP,BK
8	883223-XXX	2	KYPD,CPM,DTRSM,DES (SEE TABLE 70.)
14	881163-008	2	GASKET,BACKPLATE CASH
18	881326-001	2	BACKPLATE CASH COVER V-P
29	882590-XXX	2	COVER,PAINTED,BLACK,GD
41	-916545-	4	PLWA S#8-3/8LOCK RIBS T30
67	886142-002	2	PCB ASSY,BEZEL CONTROL,ST
72	883222-XXX	2	FACEPLATE,RMV,CPM,21K,TEX
74	882864-002	2	DECAL, RECEIPT HERE
1013	886148-001	2	CAT MODULE,GENERIC,CPM (SEE TABLE 63.)
1020	886145-001	2	GRAPHIC DISPLAY,CPM&KDC (SEE TABLE 68.)
1021	886146-001	2	PRINTER DOOR ASSY,TBP (SEE SHARED ASSY MANUAL 920345)

TABLE 67. CPM GRAPHICS DISPLAY SECURED

Item No.	Part No.	Qty.	Description
DWG	881783-S1, S2, S3 & S4-CFG	0	BEZEL ASSY,CPM
1	882589-XXX	2	BEZEL,PAINTED BLACK,GD
2	883935-XXX	2	BEZEL DOOR,PAINTED,TBP,BK
8	883325-XXX	2	KYPD,CPM,DES, (SEE TABLE 69.)
14	881163-008	2	GASKET,BACKPLATE CASH
18	881326-001	2	BACKPLATE CASH COVER V-P
29	882590-XXX	2	COVER,PAINTED,BLACK,GD
33	850006-001	2	CABLE OCPT/CTRL BD
41	-916545-	4	PLWA S#8-3/8LOCK RIBS T30
67	882440-002	2	ASSY,PCB DSPL I/F CCFL
71	882876-001	2	DECAL,START,PUMP
74	882864-002	2	DECAL,RECEIPT HERE
78	883074-001	2	ASSY,PCB VISTA CAT ANNUN
1013	886148-001	2	CAT MODULE,GENERIC,CPM (SEE TABLE 63.)
1020	886145-001	2	GRAPHIC DISPLAY,CPM&KDC (SEE TABLE 68.)
1021	886146-001	2	PRINTER DOOR ASSY,TBP (SEE SHARED ASSY MANUAL 920345)

TABLE 68. 886145-001 - CPM & KDC GRAPHICS DISPLAY

Item No.	Part No.	Qty.	Description
	886145-001		GRAPHIC DISPLAY,CPM &KDC
DWG	881783-S1, S2, S3 & S4-CFG	0	BEZEL ASSY,CPM
27	882852-002	1	GD ASSY W/TEMP SENSOR & HEATER
37	6005901	4	SCR 6-32X3/8 PHESPHSTPL
42	6010701	4	WSHR #6 .156X.312X.032 FWSSPA
68	5002504	4	STDF M/F .687X.250 6-32 HEX SSPA
69	882623-001	3	STDF SNAP .375XA.125/B.125 NY
70	882618-001	1	GUARD,HIGH VOLTAGE GD INTF BD

TABLE 69. 883325 - CPM KEYPAD ASSY, DES & ND1

Item No.	Part No.	Qty.	Description
	883325-001		KYPD ASSY,CPM,DTRSM DES,MOB PTS
	883325-002		KYPD ASSY,CPM,DTRSM DES,MOB
	883325-003		KYPD ASSY,CPM,DTRSM DES,MERIT
	883325-004		KYPD ASSY,CPM,DTRSM DES,SHELL
	883325-005		KYPD ASSY,CPM,DTRSM DES,EXXON
	883325-005		KYPD ASSY,CPM,DTRSM DES,EXXON
	883325-006		KYPD ASSY,CPM,DTRSM DES,TEXACO W/D
	883325-007		KYPD ASSY,CPM,DTRSM DES,DMD SHMRCK
	883325-008		KYPD ASSY,CPM,DTRSM,DES,GULF
	883325-009		KYPD ASSY,CPM,DTRSM,DES,CIRCLE K
	883325-010		KYPD ASSY,CPM,DTRSM,DES,CHEVRON
	883325-011		KYPD ASSY,CPM,DTRSM,DES,CITGO W/DEB
	883325-012		KYPD ASSY,CPM,DTRSM DES,ARCO-BYP
	883325-013		KYPD ASSY,CPM,DTRSM,DES,ENMARK
	883325-014		KYPD ASSY,CPM,DTRSM,DES,COAST
	883325-015		KYPD ASSY,CPM,DTRSM,DES,GENERIC
	883325-016		KYPD ASSY,CPM,DTRSM,DES,TOSCO/76
	883325-017		KYPD ASSY,CPM,DTRSM,DES,TEX W/DEB
	883325-018		KYPD ASSY,CPM,DTRSM,DES,CITGO,W/DEB
	883325-019		KYPD AY,CPM,DTRSM,DES,TEX CASH/DEB
	883325-020		KYPD ASSY,CPM DTRSM,DES,SUNOCO
	883325-021		KYPD ASSY,CPM,DTRSM,DES,GENERIC
	883325-022		KYPD ASSY,CPM,DTRSM,DES,DMD SHMRCK
	883325-023		KYPD ASSY,CPM,DTRSM,DES,GULF/CF
	883325-024		KYPD ASSY,CPM,DTRSM,DES,TEX-PR W/D
	883325-025		KYPD ASSY,CPM,DTRSM,DES,GWRC
	883325-026		KYPD ASSY,CPM,DTRSM,DES,SHELL-TS
	883325-027		KYPD AY,CPM,DTRSM,DES,CITGO PTS,W/D
	883325-028		KYPD ASSY,CPM,DES,SHELL-CAN
	883325-029		KYPD AY,CPM,DTRSM,DES,ALLIANCE
	883325-030		KYPD ASSY,CPM,DTRSM,DES,CHEV-TS
	883325-031		KYPD ASSY,CPM,DTRSM,DES,CHEV W/ATT
	883325-031		KYPD ASSY,CPM,DTRSM,DES,CHEV W/ATT

TABLE 69. 883325 - CPM KEYPAD ASSY, DES & ND1

Item No.	Part No.	Qty.	Description
	883325-032		KYPD ASSY,CPM,DTRSM,DES,MH(BUYPASS)
	883325-033		KYPD ASSY,CPM,DTRSM,DES,MERIT BYPAS
	883325-034		KYPD ASSY,CPM,DTRSM,DES,ALBERTSONS
	883325-035		KYPD ASSY,CPM,DTRSM,DES,GETTY
	883325-036		KYPD ASSY,CPM,DTRSM,DES,ALBERTS-TS
	883325-036		KYPD ASSY,CPM,DTRSM,DES,ALBERTS-TS
	883325-037		KYPD ASSY,CPM,DES,CROWN,(RAD)
	883325-038		KYPD ASSY,CPM,DTRSM,DES,CONCORD BYP
	883325-039		KYPD ASSY,CPM,DTRSM,DES,BJS
	883325-040		KYPD ASSY,CPM,DTRSM,DES,MOBIL MAL
	883325-041		KYPD ASSY,CPM,DTRSM,DES,FINA
	883325-041		KYPD ASSY,CPM,DTRSM,DES,FINA
	883325-042		KYPD ASSY,CPM,DTRSM,DES,RANDALLS
	883325-043		KYPD ASSY,CPM,DES (ND1),NEXUS
	883325-044		KYPD ASSY,CPM,DTRSM,DES,KROGER-K/S
	883325-045		KYPD ASSY,CPM,DTRSM,DES,SAMS
	883325-046		KYPD ASSY,CPM,DES,DUCKWALL ALCO
	883325-046		KYPD ASSY,CPM,DES,DUCKWALL ALCO
	883325-047		KYPD ASSY,CPM 21K,SAFEWAY-FT.MOHAVE
	883325-048		KYPD ASSY,CPM,DES,Y-N-H-E,VISANET
	883325-049		KYPD ASSY,CPM,DES,CARSPA
	883325-050		KYPD ASSY,CPM,DES (ND1),19K GENERIC
	883325-051		KYPD ASSY,CPM,DES,RACETRAC
	883325-051		KYPD ASSY,CPM,DES,RACETRAC
	883325-052		KYPD ASSY,CPM,19K,RACETRAC,DEB ONLY
	883325-053		KYPD ASSY,CPM,DES (ND1),UNO-VEN
	883325-054		KYPD ASSY,CPM,DES,BP
	883325-055		KYPD ASSY,CPM,DES (ND1),TOTPETRO
	883325-056		KYPD ASSY,CPM,DES,CLARK
	883325-056		KYPD ASSY,CPM,DES,CLARK
	883325-057		KYPD ASSY,CPM,DES (ND1),MARATHON
	883325-058		KYPD ASSY,CPM,DES (ND1),GLOBAL
	883325-059		KYPD ASSY,CPM,DES(ND1),COASTAL MART
	883325-060		KYPD ASSY,CPM,DES,SPS SMALL MERCHNT
	883325-061		KYPD ASSY,CPM,DES(ND1),16K(Y-N-H-C)
	883325-061		KYPD ASSY,CPM,DES(ND1),16K(Y-N-H-C)
	883325-062		KYPD ASSY,CPM,DES,KVAT FOOD CITY
	883325-063		KYPD ASSY,CPM,DES,HESS
	883325-064		KYPD ASSY,CPM,DES,GIANT FOODS
	883325-065		KYPD ASSY,CPM,DES,CONCORD DIRECT
	883325-066		KYPD ASSY,CPM,DES,COAST-RUBY
	883325-066		KYPD ASSY,CPM,DES,COAST-RUBY
	883325-067		KYPD ASSY,CPM,DES,CLARK
	883325-068		KYPD ASSY,CPM,DES,CLARK W/FK
	883325-069		KYPD ASSY,CPM,DES,PHILLIPS
	883325-070		KYPD ASSY,CPM,DES,TESORO
	883325-071		KYPD ASSY,CPM,DES,KROGER
	883325-071		KYPD ASSY,CPM,DES,KROGER

TABLE 69. 883325 - CPM KEYPAD ASSY, DES & ND1

Item No.	Part No.	Qty.	Description
	883325-072		KYPD ASSY,CPM,DES,KING SOOPER
	883325-073		KYPD ASSY,CPM,DES,LYNK
	883325-074		KYPD ASSY,CPM,DES,CONOCO
	883325-075		KYPD ASSY,CPM,DES,FORCEDPAY,CONOCO
	883325-076		KYPD ASSY,CPM,DES,ARCO PAYPOINT
	883325-077		KYPD ASSY,CPM,DES,CROWN
	883325-078		KYPD ASSY,CPM,DES,K-MART
	883325-079		KYPD ASSY,CPM,DES,KR,KS,FM(UNATT)
	883325-080		KYPD ASSY,CPM,DES,ALBERTSONS
	883325-081		KYPD ASSY,CPM,DES,TOPS MARKET
	883325-082		KYPD ASSY,CMP,DES,QUICKCHEK
	883325-083		KYPD ASSY,CPM,DES,SMITHS/CONOCO
	883325-084		KYPD ASSY,CPM,DES,TESORO(ADS)
	883325-085		KYPD ASSY,CPM,DES,TESORO(OR ONLY)
	883325-086		KYPD ASSY,CPM,DES,FREEDOM FUELS
	883325-087		KYPD ASSY,CPM,DES,MURPHY OIL
	883325-087		KYPD ASSY,CPM,DES,MURPHY OIL
	883325-088		KYPD ASSY,CPM,DES,MUSTANG GIANT
	883325-090		KYPD ASSY,CPM,DES,BJ'S
	883325-091		KYPD ASSY,CPM,ND1,CONOCO
	883325-092		KYPD ASSY,CPM,ND1,BASIC-EXP
	883325-093		KYPD ASSY,CPM,DES,MUSTANG GIANT
	883325-094		KYPD ASSY,CPM,DES,ENMARK(PTECH)
	883325-095		KYPD ASSY,CPM,DES,D,KROGERS
	883325-096		KYPD ASSY,CPM,DES,SAFEWAY(EZPAY)
	883325-097		KYPD ASSY,CPM,DES,SAFEWAY(RCARD)
	883325-098		KYPD ASSY,CPM,DES,SAFEWAY(V-CHK)
	883325-099		KYPD ASSY,CPM,DES,PAYMENTECH 8200
	883325-100		KYPD ASSY,CPM,DES,SAFEWAY CAN
	883325-101		KYPD ASSY, CPM, DES,SHELL-CAN
	883325-102		KYPD ASSY,CPM,DES,PROJET(CONOCO)
	883325-103		KYPD ASSY,CPM,DES,GIANT EAGLE
	883325-104		KYPD ASSY,CPM,ND1,GENERIC(FRENCH)
	883325-105		KYPD ASSY,CPM,DES,PDVSA
	883325-106		KYPD ASSY,CPM,DES,SUNOCO-TURNPIKE
	883325-107		KYPD ASSY,CPM,DES,PIONEER(CAN)
	883325-108		KYPD ASSY,CPM,DES,WINCO

TABLE 70. 883223 - CPM KEYPAD ASSY, DES READY

Item No.	Part No.	Qty.	Description
	883223-001		KYPD ASSY,CPM,DTRSM W/RMV OVLY,SHEL
	883223-002		KYPD ASSY,CPM,DTRSM W/RMV OVLY,CON
	883223-003		KYPD ASSY,CPM,DTRSM W/RMV OVLY,TEX
	883223-004		KYPD ASSY,CPM,DTRSM W/RMV OVLY,CHEV
	883223-005		KYPD ASSY,CPM,DTRSM W/RMV OVLY,CIT
	883223-006		KYPD AY,CPM,DTRSM W/RMV,TEX W/O DEB
	883223-007		KYPD ASSY,CPM,DTRSM W/RMV,TEX CASH
	883223-008		KYPD ASSY,CPM,DTRSM W/RMV,SUN RECPT
	883223-009		KYPD AY,CPM,DTRSM W/RMV,SHEL-CAN,FR
	883223-010		KYPD ASSY,CPM,DTRSM,W/RMV,GETTY
	883223-011		KYPD ASSY,CPM,DTRSM,W/RMV,CROWN
	883223-011		KYPD ASSY,CPM,DTRSM,W/RMV,CROWN
	883223-012		KYPD ASSY,CPM,DTRSM,W/RMV,CHEV ATT
	883223-013		KYPD ASSY,CPM,DTRSM,W/RMV,ENMARK
	883223-014		KYPD ASSY,CPM,DTRSM W/RMV,CLARK
	883223-015		KYPD ASSY,CPM,W/RMV,CLARK WK/FK
	883223-016		KYPD ASSY,CPM,DTRSM W/RMV,PHILLIPS
	883223-017		KYPD ASSY,CPM,W/RMV,ALLIANCE(ADS)
	883223-018		KYPD ASSY,CPM,W/RMV,ENMARK(PTECH)

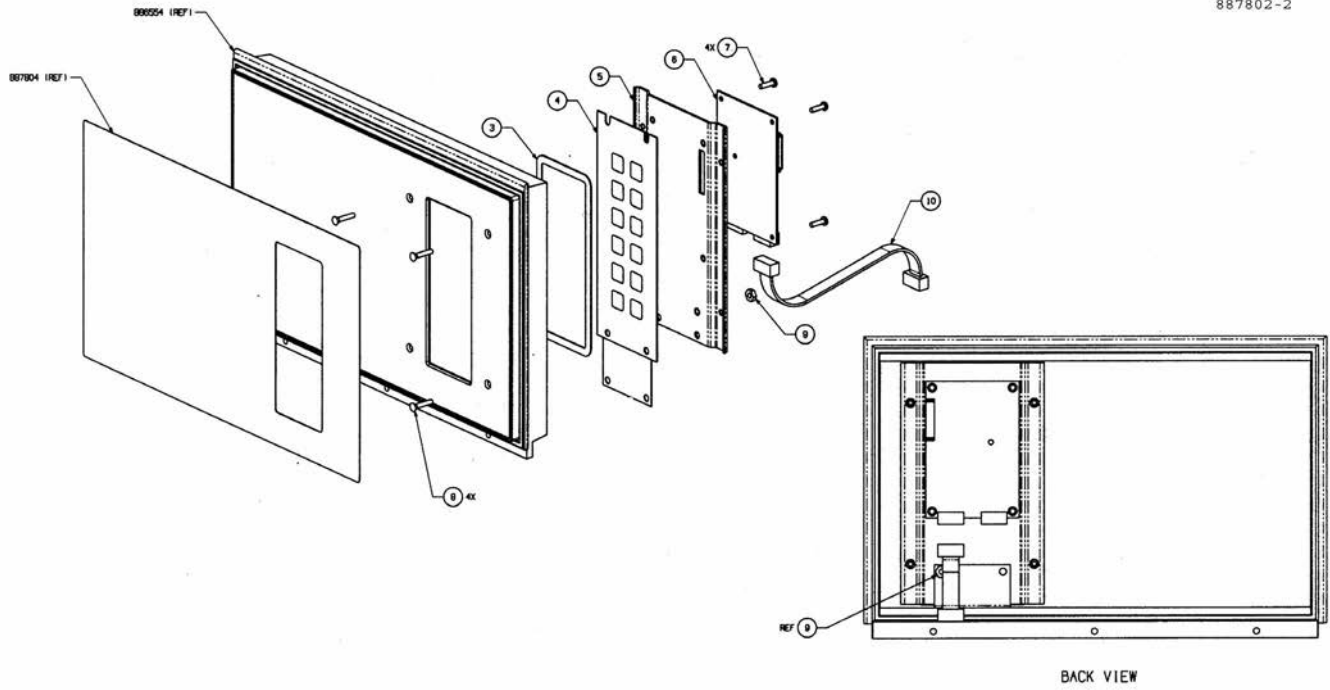



FIGURE 38. 887802-XXX - PANEL ASSY, PRESET 3/V

TABLE 71. 887802-001 - PANEL ASSY, PRESET 3/V

Item No.	Part No.	Qty.	Description
DWG	887802-XXX		PANEL ASSY,IGEM PRESET
	887804-XXX	1	DECAL, IGEM PRESET
	886554-XXX	1	BEZEL BARCODE PRESET MOD
3	887805-001	1	GASKET,IGEM PRESET
4	168820	1	KEYBOARD 2X6
5	887803-001	1	BRACKET,IGEM PRESET
6	887752-001	1	PCB ASSY,IGEM PRESET
7	6005902	4	SCR 6-32X1/2 PHESPHSTPL
8	6001804	4	SCR 6-32X3/4 FLMSPHSSPA
9	6019403	1	NUT 8-32 KPNTMSSTZN
10	883924-002	1	CABLE ASSY,TB PNTR TO OCP

NOTE: This equipment has been tested and found to comply with the limits for a Class A digital device, pursuant to Part 15 of the FCC Rules. These limits are designed to provide reasonable protection against harmful interference when the equipment is operated in a commercial environment. This equipment generates, uses, and can radiate radio frequency energy and, if not installed and used in accordance with the instruction manual, may cause harmful interference to radio communications. Operation of this equipment in a residential area is likely to cause harmful interference in which case the user will be required to correct the interference at his own expense.

