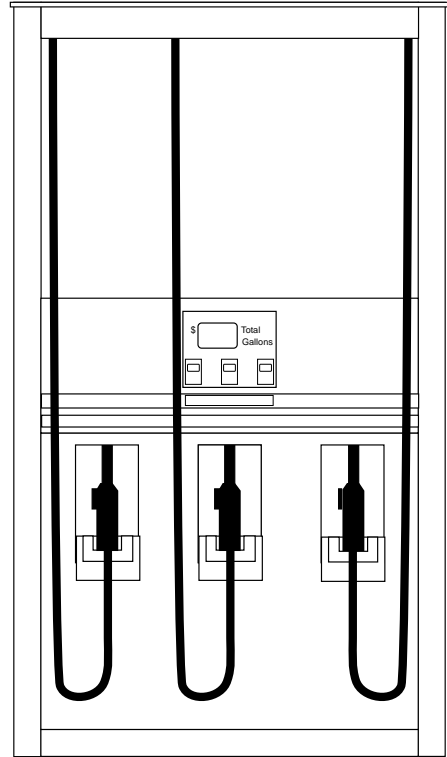


# PARKETS

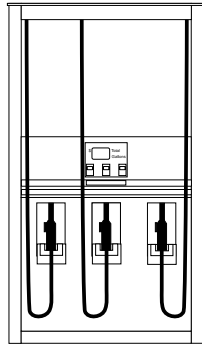
2/Vista 90 Series  
(Wide) Multigrade  
Dispensers



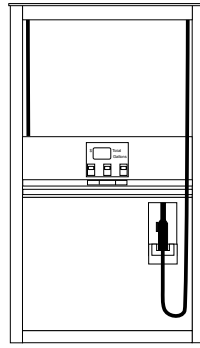


# **2/Vista 90 Series (Wide) Multigrade Dispensers Parts Manual**

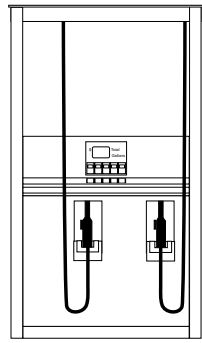
This manual lists parts for dispenser assemblies and sub-assemblies which are unique to the 2/Vista 90 (wide) dispenser model series. For assemblies and parts that are common to all 1/Vista and 2/Vista dispensers see Wayne 1/Vista and 2/Vista Shared Assemblies parts manual. part no. 920345.



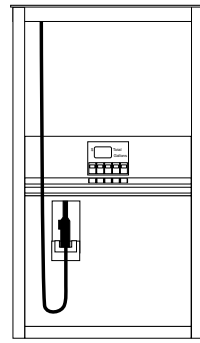
2/V390



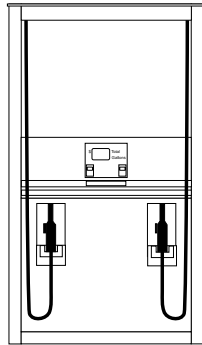
2/V390U



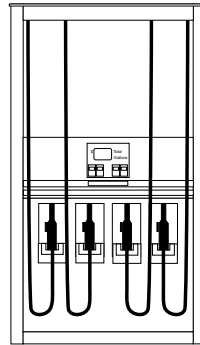
2/V595



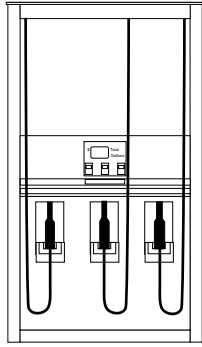
2/V595U



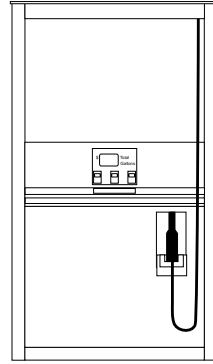
2/V399



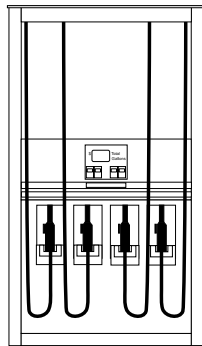
2/V490



2/V590



2/V590U



2/V591



**TABLE OF CONTENTS**

<u>Title</u>	<u>Page</u>
How to Locate Parts .....	vi
How to Contact Wayne.....	vi
How to Order Parts .....	vii
List of Tables .....	viii
List of Figures.....	xi
Wayne Vista Dispenser Model Designation Charts .....	1
Warranty and Limitation of Remedy and Liability.....	Inside Back Cover
FCC Warning .....	Back Cover

## HOW TO LOCATE PARTS

How to locate part number:

- Use the List of Tables to locate the Module containing part needed, (Housing, Hydraulics, Bezel, Electronic Head, etc.).
- Using the Module description find the Table number and page where shown. Turn to indicated page.
- In the Table use the Drawing\* number, (DWG) listed under the Part No. column, to find the corresponding module drawing. Turn to drawing indicated.
- Locate the part or assembly needed on the module drawing and the corresponding Item\*\* number.
- Then using the Item number on the drawing find the specific part number, quantity and description in the parts table for your model.
- Some parts and assemblies may breakdown further. Follow the instructions in the table to '**See Other Tables or Manuals**'.\*\*\*

\*Some tables refer to several Drawings (DWG) for part identification.

\*\*The item numbers shown on the drawings are intended only to locate the part number and description in the accompanying table of parts. **Do not order parts by item number.**

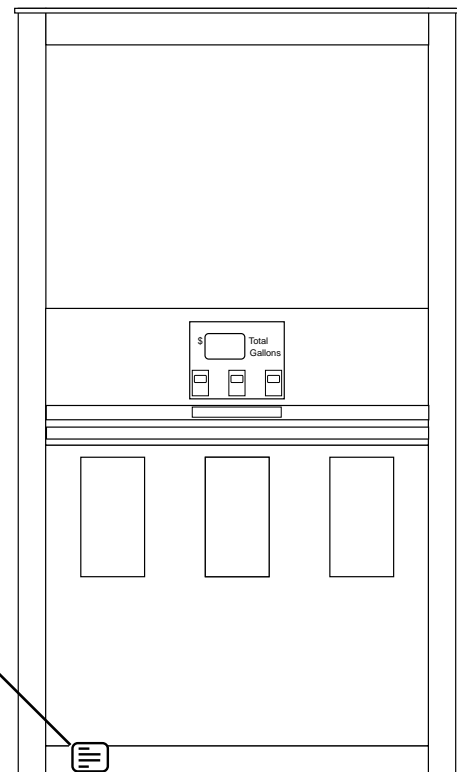
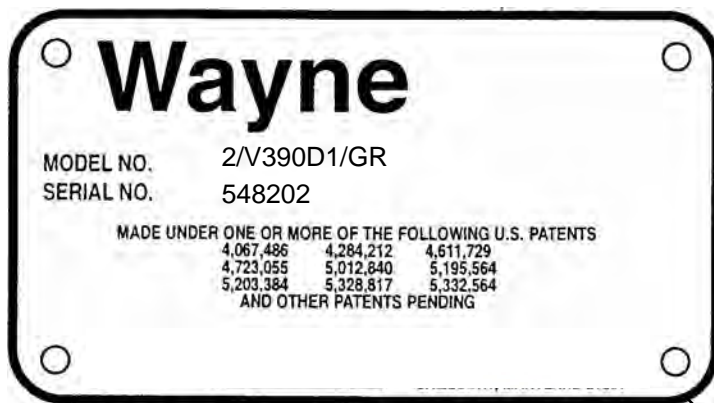
\*\*\*Some common part assemblies, subassemblies and modules are listed in the 1/Vista and 2/Vista Blending and Nonblending Shared Assemblies Manual, part no. 920345, and show a further breakdown of parts. Some are broken down further in this manual.

## HOW TO ORDER PARTS

To insure correct and prompt delivery of parts, furnish the serial number, model number and any existing code number on the dispenser serial plate, located on the left front base of the dispenser, a sample of which is shown below.

### When ordering parts supply the following information:

- Serial number of dispenser.
- Model number of dispenser.
- Part number.
- Description of the part.
- Quantity desired.



The Model and Serial Numbers above are examples only (2/V390 Shown).

**NOTE:** When ordering parts with particular company specifications such as doors, advertising panels and dial faces, please call our Service Parts Department with specific dispenser model number and serial number. All warranty parts are to be ordered through local distributors.

**LIST OF TABLES**

**Designation Charts**

Table 1. 1-7195-C - Graphics Placement Reference Table ..... 4  
Table 2. 1-47901 - Housing Module, iMeter ..... 8

**Frame Module**

Table 3. 1-47898 - Frame Module, Remote iMeter Dispenser ..... 10  
Table 4. 3-47898 - Frame Module Suction Dispensers ..... 12

**Door Module**

Table 5. 1-47926 - Door Module, Two Piece, iMeter ..... 14  
Table 6. 1-301655 - Door Module 2/V, One Piece Wide ..... 16  
Table 7. Doors, 90 Series ..... 16

**Hydraulics Module**

Table 8. 1-47917 - iMeter Module, Remote W/Sleeves ..... 18  
Table 9. 1-300600 - Hydraulics Module 2/V390D/U, Remote, Uni-Hose ..... 20  
Table 10. 3-301600 - Hydraulics Module 2/V390D, Remote ..... 22  
Table 11. 13-301600 - Hydraulics Module 2/V490D, Remote ..... 24  
Table 12. 2-301600 - Hydraulics Module 2/V590D/U Remote, Uni-Hose ..... 26  
Table 13. 17-301600 - Hydraulics Module 2/V590D, Remote ..... 28  
Table 14. 19-301600 - Hydraulics Module 2/V591 Remote ..... 30  
Table 15. 21-301600 - Hydraulics Module 2/V595D Remote ..... 32  
Table 16. 23-301600 - Hydraulics Module 2/V595D/U, Remote Uni-Hose ..... 34  
Table 17. 25-301600 - Hydraulics Module 2/V595P/U, Suction Uni-Hose ..... 36

**Vapor Recovery Module**

Table 18. 1-47895 - Wayne Vac Module, iMeter ..... 38  
Table 19. 2-47895 - Wayne Vac Module, Single Sided Left ..... 39  
Table 20. 3-47895 - Wayne Vac Module, Single Sided Right ..... 42

**Nozzle Boot Module**

Table 21. 1-47820 - Nozzle Boot Module, Lift to Start ..... 44  
Table 22. 3-47820 - Nozzle Boot Module, Push to Start ..... 44  
Table 23. 0C6-47820 - Nozzle Boot, Push To Start, Vented ..... 46  
Table 24. 0C7-47820 - Nozzle Boot, Push To Start, Suction ..... 46

**Electrical/Speaker Module**

Table 25. 1-47894 - Electrical Module, Remote Dispensers ..... 49  
Table 26. 2-47894 - Speaker Module, Remote Dispensers ..... 50  
Table 27. 3-47894 - Speaker Module W/Light Conduit, Remote Dispensers ..... 50

Table 28.	4-47894 - Light Conduit Module, Remote Dispensers .....	50
Table 29.	7-47894 - Electrical Module, Suction Dispensers .....	52
Table 30.	9-47894 - Speaker Module with Light Conduit, Suction Dispensers .....	52
Table 31.	47985 - Call Button Panel Assembly .....	53

**Bezel Module**

Table 32.	47818 - Bezel Module 2/V390, Lift to Start .....	56
Table 33.	47818 - Bezel Module 2/V490, Lift to Start .....	57
Table 34.	47818 - Bezel module 2/V590, Push to Start .....	58
Table 35.	47822 - Bezel Module 2/V390, Push to Start .....	59
Table 36.	47822 - Bezel Module 2/V590, Push to Start .....	60
Table 37.	47818 - Bezel Module 2/V585, Push to Start .....	61
Table 38.	47946 - Bezel Module 2/V390 and 2/V590, Push to Start .....	64
Table 39.	47966 - Bezel Module 2/V390 and 2/V590, Push to Start Buttons .....	66
Table 40.	47966 - Bezel Module 2/V490, Lift to Start .....	67
Table 41.	47966 - Bezel Module 2/V595, Push to Start Buttons .....	68
Table 42.	47966 - Bezel Module 2/V591, Push to Start Buttons .....	69

**Electronic Head Module**

Table 43.	1-47981 - Preset Module .....	72
Table 44.	1-47982 - Wayne TRAC Module .....	74
Table 45.	Wayne TRAC Production Antenna .....	74
Table 46.	WHD-038000 - Head Module 2/V390, Electro-Mechanical Totalizers .....	76
Table 47.	WHD-057000 - Head Module 2/V590, Blender, Electro-Mechanical Totalizers .....	77
Table 48.	Head Module 2/V595, Electro-mechanical Totalizers .....	78
Table 49.	WHD-044000 - CATS Head Module 2/V390, Electro-Mechanical Totalizers ..	80
Table 50.	WHD-081000 - CATS Head Module 2/V490, Electro-Mechanical Totalizers ..	80
Table 51.	WHD-061000 - CATS Head Module 2/V590, Two Product Blender, Electro-Mechanical Totalizers .....	81
Table 52.	WHD-06300 - CATS Head Module 2/V595, EElectro-Mechanical Totalizers ..	81
Table 53.	WHD 072000 - CATS Head Module 2/V591, Electro-Mechanical Totalizers ..	82
Table 54.	OC1-47815 - Head Module 2/V390 .....	84
Table 55.	C20-47815 - Preset Head Module 2/V390 .....	85
Table 56.	C18-47815 - Head Module 2/V590 .....	86
Table 57.	Head Module 2/V595/R Single Sided .....	87
Table 58.	OC3-47815 - CATS Head Module MGD CPM 2/V390 .....	90
Table 59.	C11-47815 - CATS Head Module 2/V490 CPM .....	91
Table 60.	OC6-47815 - CATS Head Module 2/V590 Blending CPM .....	92
Table 61.	C36-47815 - CATS Head Module 2/V595 CPM .....	92
Table 62.	DEM 2/V390 120V .....	93
Table 63.	DEM 2V490 120V .....	93
Table 64.	DEM 2/V590 120V .....	93
Table 65.	DEM 2/V590/U 120V, PTS .....	94
Table 66.	DEM 2/V595 120V .....	94

# Table of Contents

---

Table 67.	883618-001 - Computer Assembly 2/Vista Blending Dispenser . . . . .	96
Table 68.	883618-002 - Computer 2/Vista Multi Grade Dispenser . . . . .	96
Table 69.	884549-001 - DEM Parts, Side 1 . . . . .	99
Table 70.	884550-001 - DEM Parts, Side 2 . . . . .	99
Table 71.	CPM 2/Vista, Character Display, Non Des . . . . .	100
Table 72.	CPM 2/Vista, Character Display, DES . . . . .	100
Table 73.	CPM 2/Vista, Graphics Display, DES . . . . .	101
Table 74.	CPM 2/Vista, Graphics display, Non DES . . . . .	102
Table 75.	886144-001 - CPM Character Display . . . . .	107
Table 76.	886148-001 - CPM CAT Module . . . . .	107
Table 77.	886145-001 - CPM & KDC Graphics Display . . . . .	111
Table 78.	886146-001 - Tear Bar Printer Door Assembly . . . . .	114
Table 79.	886146-002 - Receipt Printer Door Assembly . . . . .	114
Table 80.	Pump Head 2/V390 . . . . .	115
Table 81.	Pump Head 2/V390 Dual CAT . . . . .	116
Table 82.	Pump Head 2/V490 . . . . .	117
Table 83.	Pump Head 2/V590 . . . . .	118
Table 84.	Pump Head Assembly 2/V590/U . . . . .	119
Table 85.	Pump Head Assembly 2/V591 . . . . .	120
Table 86.	Pump Head 2/V595 . . . . .	121
Table 87.	886155-001 - Pump Head Subassembly, 90 Series, Vista Card . . . . .	126
Table 88.	886155-002 - Pump Head Subassembly 90 Series, New Enclosure . . . . .	127
Table 89.	886154-001 - Pump Head Subassembly, 90 Series, Vista Card, Single Sided . . . . .	128
Table 90.	Pump Head Subassembly, 90 Series, New Enclosure, Single Sided . . . . .	129
Table 91.	886693-001 - Bar Code Scanner 90 Series, Generic . . . . .	130
Table 92.	883661-001 - Wayne TRAC 90 Series, Vista Card . . . . .	130
Table 93.	886610 - Bar Code Scanner Bezel Module . . . . .	132

## Top Module

Table 94.	1-47897 - Top Module, 2/V390 Non-Vapor Recovery . . . . .	133
Table 95.	3-47897 - Top Module, 2/V390 Wayne Vac Vapor Recovery . . . . .	134
Table 96.	13-47897 - Top Module 2/V390, Balance Vapor Recovery, Front . . . . .	135
Table 97.	14-47897 - Top Module, 2/V390 Balance Vapor Recovery, Rear . . . . .	136
Table 98.	19-47897 - Top Module 2/V490, Non-Vapor Recovery . . . . .	137
Table 99.	22-47897 - Top Module 2/V490, Balance Vapor Recovery . . . . .	138
Table 100.	31-47897 - Top Module 2/V595, Non-Vapor Recovery . . . . .	139
Table 101.	32-47897 - Top Module 2/V595, Balance vapor Recovery . . . . .	140
Table 102.	33-47897 - Top Module 2/V595, Wayne Vac Vapor Recovery . . . . .	141
Table 103.	35-47897 - Top Module 2/V590, Non-Vapor Recovery . . . . .	142
Table 104.	36-47897 - Top Module 2/V590, Balance Vapor Recovery, Front . . . . .	144
Table 105.	37-47897 - Top Module 2/V590, Balance Vapor Recovery, Rear . . . . .	146
Table 106.	38-47897 - Top Module 2/V590, Wayne Vac Vapor Recovery . . . . .	148
Table 107.	40-47897 - Top Module 2/V591, Balance Vapor Recovery, Front . . . . .	150
Table 108.	41-47897 - Top Module 2/V591, Balance Vapor Recovery, Rear . . . . .	152

**LIST OF FIGURES**

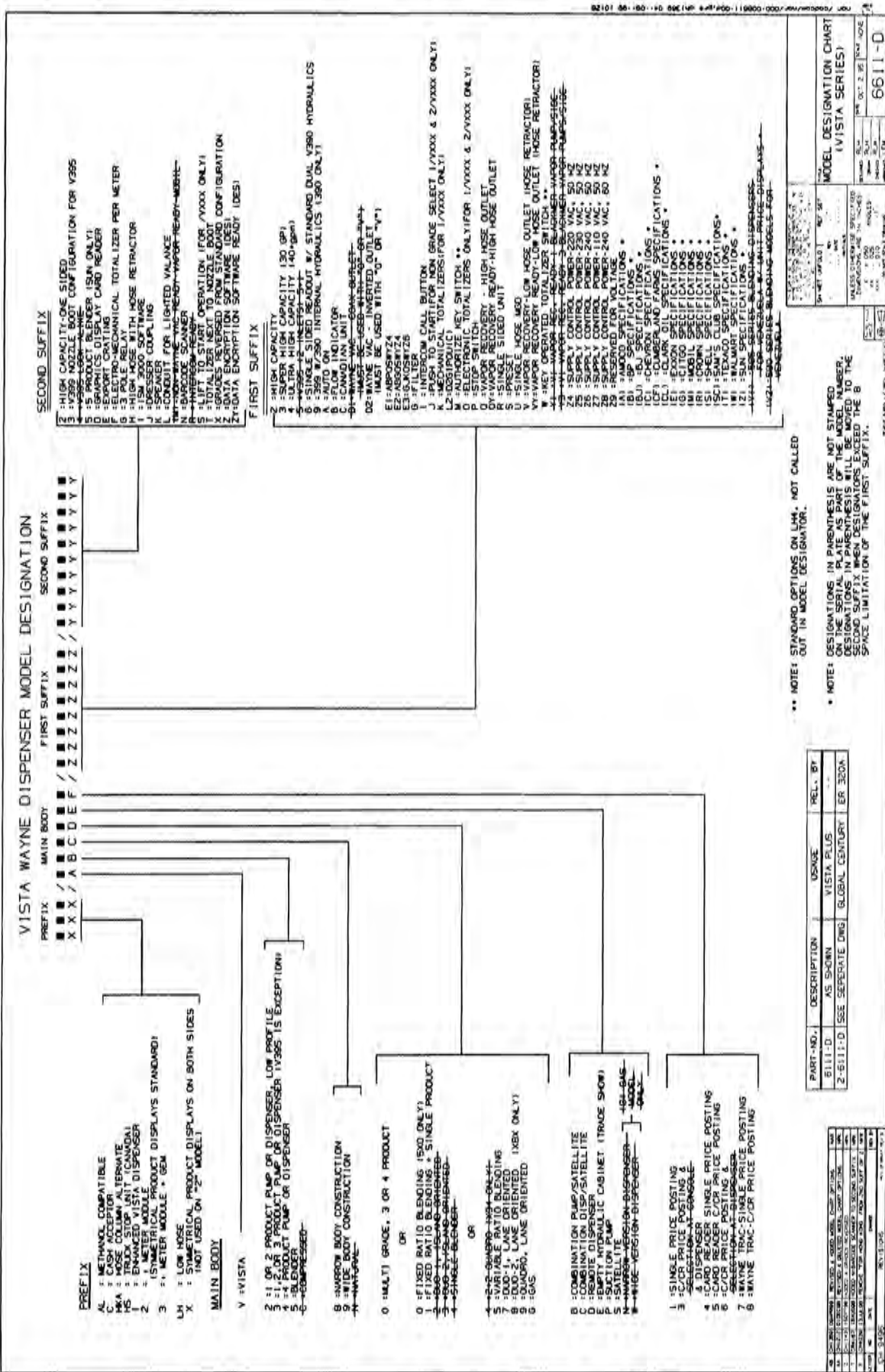
Figure 1.	6611-D - Wayne Model Designation Chart, Vista Series. . . . .	1
Figure 2.	1-7195-C - Graphics Placement Drawing, Vista and iMeter . . . . .	3
Figure 3.	7184-C - Bezel Assembly, Description Format . . . . .	6
Figure 4.	1-47901-DWG - Housing Module . . . . .	7
Figure 5.	1-47898-DWG - Frame Module, Remote iMeter Dispenser . . . . .	9
Figure 6.	3-47898-DWG - Frame Module Suction Dispensers . . . . .	11
Figure 7.	1-47926-DWG - Door Module 2/V, Two Piece . . . . .	13
Figure 8.	1-301655-DWG - Door Module 2/V, One Piece Wide . . . . .	15
Figure 9.	1-47917-DWG - iMeter Module, Remote . . . . .	17
Figure 10.	1-301600-DWG - Hydraulics Module 2/V390D/U, Remote, Uni-Hose . . . . .	19
Figure 11.	3-301600-DWG - Hydraulics Module 2/V390D, Remote . . . . .	21
Figure 12.	13-301600-DWG - Hydraulics Module 2/V490D, Remote . . . . .	23
Figure 13.	2-301600-DWG - Hydraulics Module 2/V590D/U, Remote, Uni-Hose . . . . .	25
Figure 14.	17-301600-DWG - Hydraulics Module 2/V590D, Remote . . . . .	27
Figure 15.	19-301600-DWG - Hydraulics Module 2/V591D, Remote . . . . .	29
Figure 16.	21-301600-DWG - Hydraulics Module 2/595D Remote . . . . .	31
Figure 17.	23-301600-DWG - Hydraulics Module 2/V595D/U, Remote Uni-Hose . . . . .	33
Figure 18.	25-301600-DWG - Hydraulics Module 2/V595P/U, Suction Uni-Hose . . . . .	35
Figure 19.	1-47895-DWG - Wayne Vac, iMeter . . . . .	37
Figure 20.	3-47895-DWG - Wayne Vac Module, Single Sided Right. . . . .	41
Figure 21.	1-47820-DWG - Nozzle Boot. . . . .	43
Figure 22.	4-47820-DWG - Nozzle Boot, Push To Start, Vented . . . . .	45
Figure 23.	1-47894-S1-DWG - Electrical Module, Remote Dispenser . . . . .	47
Figure 24.	1-47894-S2-DWG - Electrical Module, Remote Dispenser . . . . .	48
Figure 25.	7-47894-DWG - Electrical Module, Suction Dispensers . . . . .	51
Figure 26.	1-47985-DWG - Call Button Panel Assembly . . . . .	53
Figure 27.	1-47818-DWG - Bezel Module, Push to Start . . . . .	55
Figure 28.	1-47946-DWG - Bezel Module . . . . .	63
Figure 29.	1-47966-DWG - Bezel Module . . . . .	65
Figure 30.	1-47981-DWG - Preset Module . . . . .	71
Figure 31.	1-47982-DWG - Wayne TRAC Module. . . . .	73
Figure 32.	1-47967-DWG - Head Module V390 . . . . .	75
Figure 33.	2-47967-DWG - CATS Head Module V390 . . . . .	79
Figure 34.	1-47815-DWG - Head Module V390 . . . . .	83
Figure 35.	3-47815-DWG - CATS Head Module . . . . .	89
Figure 36.	883618- Computer 2/Vista . . . . .	95
Figure 37.	883662-S1-CFG - DEM . . . . .	97
Figure 38.	883662-S2-CFG - DEM . . . . .	98
Figure 39.	881783-S1-CFG - CPM Bezel Assembly. . . . .	103
Figure 40.	881783-S2-CFG - CPM Bezel Assembly. . . . .	104
Figure 41.	881783-S3-CFG - CPM Bezel Assembly. . . . .	105
Figure 42.	881783-S4-CFG - CPM Bezel Assembly. . . . .	106
Figure 43.	886197-S1-CFG - KDC Bezel Assembly. . . . .	109

# Table of Contents

---

Figure 44.	886197-S2-CFG - KDC Bezel Assembly.....	110
Figure 45.	886146-CFG - Printer Door Assembly.....	113
Figure 46.	883905-S1-CFG - Pump Head Subassembly Vista Card.....	123
Figure 47.	883905-S2-CFG - Pump Head Subassembly Vista Card.....	124
Figure 48.	883905-S4-CFG - Pump Head Subassembly Vista Card.....	125
Figure 49.	886610 - Bar Code Scanner Bezel Module.....	131
Figure 50.	1-47897-DWG - Top Module, 2/V390 Non-Vapor Recovery.....	133
Figure 51.	3-47897-DWG - Top Module, 2/V390 Wayne Vac Vapor Recovery.....	134
Figure 52.	13-47897-DWG - Top Module 2/V390, Balance Vapor Recovery, Front.....	135
Figure 53.	14-47897-DWG - Top Module, 2/V390 Balance Vapor Recovery. Rear.....	136
Figure 54.	19-47897-DWG - Top Module, 2/V490, Non-Vapor Recovery.....	137
Figure 55.	22-47897-DWG - Top Module 2/V490, Balance Vapor Recovery.....	138
Figure 56.	31-47897-DWG - Top Module 2/V595, Non-Vapor Recovery.....	139
Figure 57.	32-47897-DWG - Top Module 2/V595, Balance Vapor Recovery.....	140
Figure 58.	33-47897-DWG - Top Module 2/V595, Wayne Vac Vapor Recovery.....	141
Figure 59.	35-47897-DWG - Top Module 2/V590, Non-Vapor Recovery.....	142
Figure 60.	36-47897-DWG - Top Module 2/V590, Balance Vapor Recovery, Front.....	143
Figure 61.	37-47897-DWG - Top Module 2/V590, Balance Vapor Recovery, Rear.....	145
Figure 62.	38-47897-DWG - Top Module 2/V590, Wayne Vac Vapor Recovery.....	147
Figure 63.	40-47897-DWG - Top Module 2/V591, Balance Vapor Recovery, Front.....	149
Figure 64.	41-47897-DWG - Top Module 2/V591, Balance Vapor Recovery, Rear.....	151





**MODEL DESIGNATION CHART (VISTA SERIES)**

PART-NO.	DESCRIPTION	USAGE	REL. BY
6111-D	AS SHOWN	VISTA PLUS	
2-6111-D	SEE SEPARATE DRWG	GLOBAL CENTURY I ER 300A	

**MODEL DESIGNATION CHART (VISTA SERIES)**

6111-D	AS SHOWN	VISTA PLUS	
2-6111-D	SEE SEPARATE DRWG	GLOBAL CENTURY I ER 300A	

**NOTE: STANDARD OPTIONS ON LHM, NOT CALLED OUT IN MODEL DESIGNATOR.**

**NOTE: DESIGNATIONS IN PARENTHESIS ARE NOT STAMPED ON THE SERIAL PLATE AS PART OF THE MODEL NUMBER. DESIGN SUFFIX WHEN DESIGNATORS WILL BE USED TO THE SPACE LIMITATION OF THE FIRST SUFFIX.**

FIGURE 1. 6611-D - WAYNE MODEL DESIGNATION CHART, VISTA SERIES

**HOW TO USE WAYNE MODEL DESIGNATION CHART 6611-D**

Example: **2/V390D1/D2GQU**

- 2 = **METER** Module
- V = Vista
- 3 = 1, 2, or 3 Product pump or Dispenser
- 9 = Wide Body
- 0 = Multi grade, 3 or 4 Product
- D = Remote Dispenser
- 1 = Single Price Posting
- D2 = Wayne VAC, Inverted Outlet
- G = Filter
- Q = Vapor Recovery - High Hose Outlet
- U = Single Hose MGD

**NOTE: The Model Number is on the Serial Plate located on the front of the dispenser. (See 'How to Order Parts' in the TOC for Serial Plate Location.)**

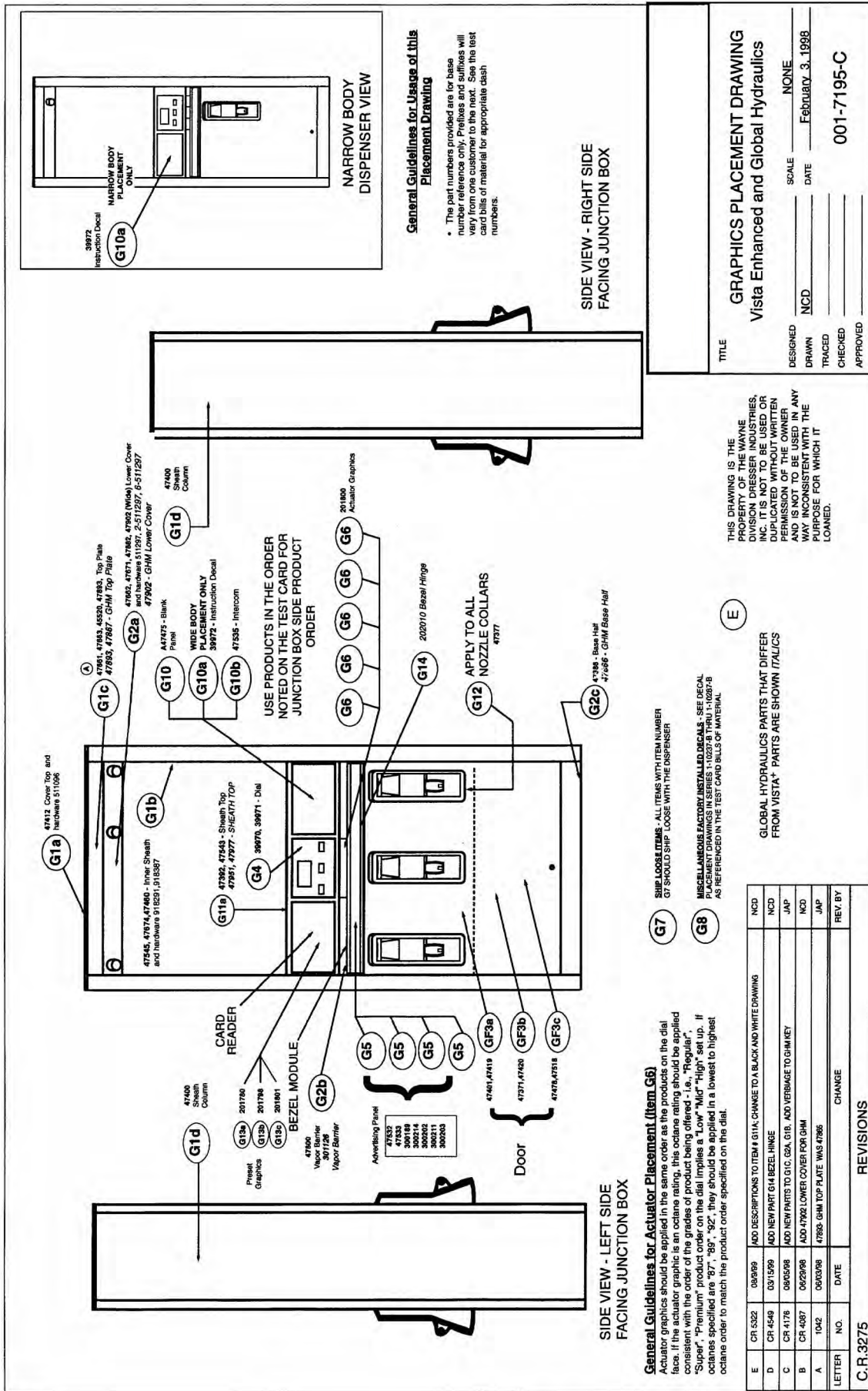


FIGURE 2. 1-7195-C - GRAPHICS PLACEMENT DRAWING, VISTA AND IMETER

TABLE 1. 1-7195-C - GRAPHICS PLACEMENT REFERENCE TABLE

Item #	Part Description	Part Base # Wide (1/V)	Module Base # Wide (1/V)	Part Base # Wide (iMeter) (2/V)	Module Base # Wide (iMeter) (2/V)	Part Base # Narrow (1/V)	Module Base # Narrow (1/V)	Part Base # Narrow (iMeter) (2/V)	Module Base # Narrow (iMeter) (2/V)	Associated Hardware
G1A	TOP COVER	47412	47809	47412	47901	47412	47809	47412	47901	511096
G1B	INNER SHEATH	"47545, 47674 ("V" STYLE ONLY)"	47809	"47545, 47674 ("V" STYLE ONLY)"	47901	47460	47809	47460	47901	918291
G1C	TOP PLATE	"47661,"	47812	47893	47898	"47663, 45520 (HOSE RETRAC-TOR)"	47829	47867	47898	
G1D	COLUMN SHEATH	47400	47809	47400	47901	47400	47809	47400	47901	N/A
G2A	LOWER COVER	"47662,47882 (X1/V 590, V591 ONLY)"	47809	47902	47901	47671	47809	47902	47901	511297
G2B	VAPOR BARRIER	47800		301126	47898	47800		301126	47898	
G2C	BASE HALF	47386	47812	47866	47812	47386	47829	47866	47812	N/A
G11A	HEAD SHEATH	47543	47815	47951	47901	47392	47830	47977	47901	N/A
G12	NOZZLE COLLAR	47377	47820	47377	47820	47377	47820	47377	47820	N/A
G10	BLANK BEZEL PANEL	A47475	N/A	A47475	N/A	A47475	N/A	A47475	N/A	N/A
G10A	INSTRUCTION DECAL	39972	OCS	39972	OCS	39972	OCS	39972	OCS	N/A
G10B	CALL BUTTON OVERLAY	47535	OCS OR TOP LEVEL BOM	47535	OCS OR TOP LEVEL BOM	47535	OCS OR TOP LEVEL BOM	47535	OCS OR TOP LEVEL BOM	N/A
G13A	PRESET - KEYPAD DECAL	201780	OCS OR TOP LEVEL BOM	201780	OCS OR TOP LEVEL BOM	201780	OCS OR TOP LEVEL BOM	201780	OCS OR TOP LEVEL BOM	N/A
G13B	PRESET - DISPLAY DECAL	201798	OCS OR TOP LEVEL BOM	201798	OCS OR TOP LEVEL BOM	201798	OCS OR TOP LEVEL BOM	201798	OCS OR TOP LEVEL BOM	N/A
G13C	PRESET - INSTRUC-TION DECAL	201801	OCS OR TOP LEVEL BOM	201801	OCS OR TOP LEVEL BOM	201801	OCS OR TOP LEVEL BOM	201801	OCS OR TOP LEVEL BOM	N/A
GF3A	2-PC UPPER DOOR (FRONT)	47401	47817	47401	47926	47419	47817	47419	47926	N/A
GR3A	2-PC UPPER DOOR (REAR)	47401	47817	47401	47926	47419	47817	47419	47926	N/A

TABLE 1. 1-7195-C - GRAPHICS PLACEMENT REFERENCE TABLE, continued

Item #	Part Description	Part Base # Wide (1/V)	Module Base # Wide (1/V)	Part Base # Wide (iMeter) (2/V)	Module Base # Wide (iMeter) (2/V)	Part Base # Narrow (1/V)	Module Base # Narrow (1/V)	Part Base # Narrow (iMeter) (2/V)	Module Base # Narrow (iMeter) (2/V)	Associated Hardware
GF3B	2-PC LOWER DOOR (FRONT)	47371	47817	47371	47926	47420	47817	47420	47926	N/A
GR3B	2-PC LOWER DOOR (REAR)	47371	47817	47371	47926	47420	47817	47420	47926	N/A
GF3C	1-PC DOOR (FRONT)	47478	47819	47478	47926	47518	47817	47518	47926	N/A
GR3C	1-PC DOOR (REAR)	47478	47819	47478	47926	47518	47817	47518	47926	N/A
G4	DIAL FACE	"39970,39971 (CASH/CREDIT)"	"300113, 300114"	"39970,39971 (CASH/CREDIT)"	"300113, 300114"	"39970,39971 (CASH/CREDIT)"	"300113, 300114"	"39970,39971 (CASH/CREDIT)"	"300113, 300114"	916907
G5	AD PANEL	"300202, 300203, 300212, 300211, 47434,45432, 45436"	OCS	"LTS - 301772, 301771, 301770 PTS - 301694, 301769, 47987,47988, 47999,48000, 48001"	"LTS - 301772, 301771, 301770 PTS - 301694, 301769, 47987,47988, 47999,48000, 48001"	"300189, 300214, 47532, 47533"	OCS	"LTS - 301773, 301774 PTS - 301775, 48002,48003, 48004,48005, 48006"	"LTS - 301773, 301774 PTS - 301775, 48002,48003, 48004,48005, 48006"	N/A
G5.1	AD PANEL DIVIDERS	2-129812-XXX	OCS	2-129812-XXX	OCS	2-129812-XXX	OCS	2-129812-XXX	OCS	N/A
G6	ACTUATOR	201800	OCS	201800	OCS	201800	OCS	201800	OCS	N/A
G7	DECALS	ALL SHIP LOOSE DECALS	OCS OR PAINT SPEC	ALL SHIP LOOSE DECALS	OCS OR PAINT SPEC	ALL SHIP LOOSE DECALS	OCS OR PAINT SPEC	ALL SHIP LOOSE DECALS	OCS OR PAINT SPEC	N/A
G8	DECALS WILL HAVE AN ASSOCIATED PLACEMENT DRAWING.	ALL FAC-TORY INSTALL DECALS	OCS OR PAINT SPEC	ALL FAC-TORY INSTALL DECALS	OCS OR PAINT SPEC	ALL FAC-TORY INSTALL DECALS	OCS OR PAINT SPEC	ALL FAC-TORY INSTALL DECALS	OCS OR PAINT SPEC	N/A

**NOTE:** Many Module Drawings refer to the 1-7195-C - Graphics Placement Drawing. The part numbers shown are a generic base part number. Call Wayne Service Parts for specific part number.

Last updated: 9/7/99

71840C-RevA

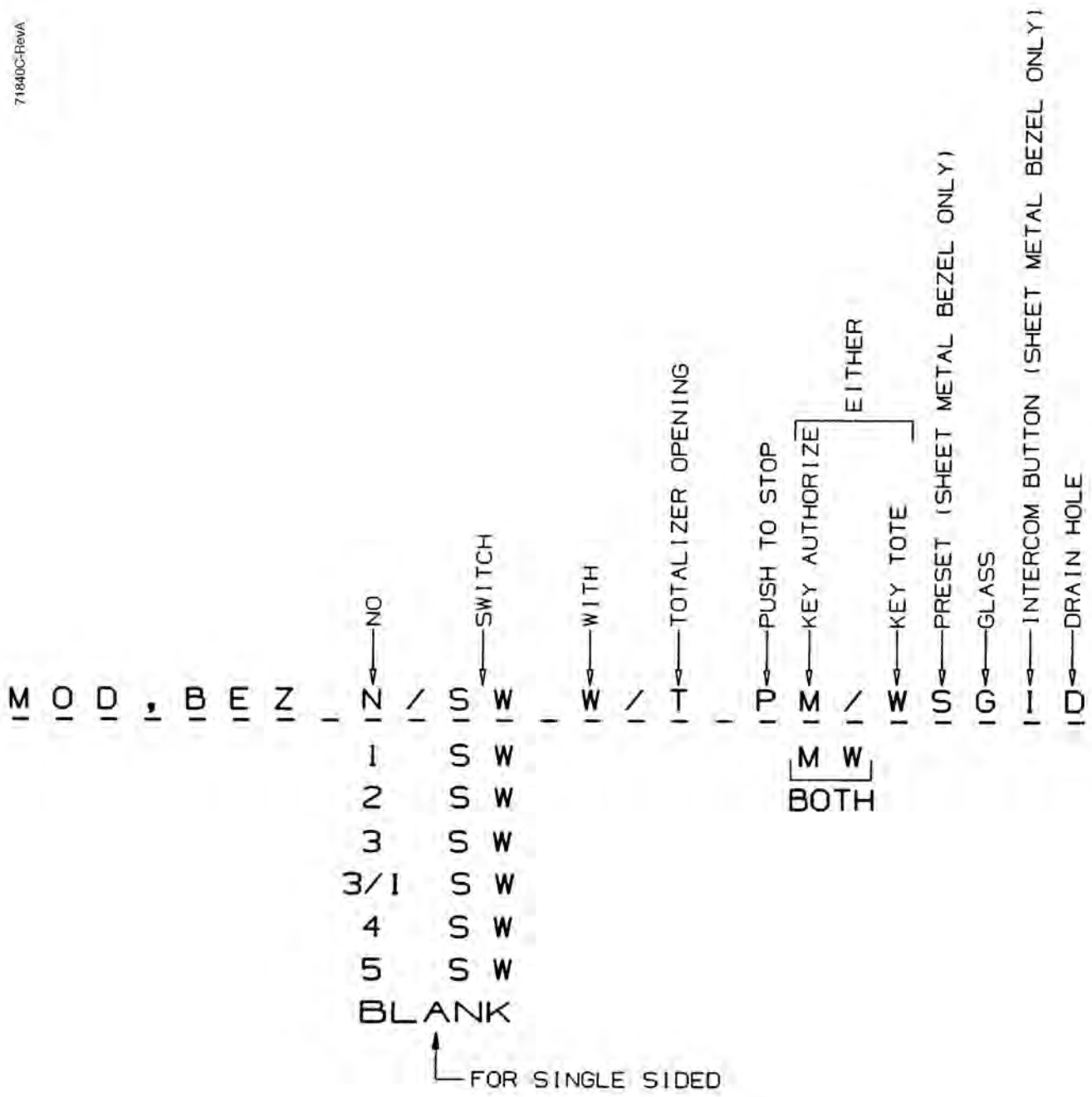


FIGURE 3. 7184-C - BEZEL ASSEMBLY, DESCRIPTION FORMAT

Example: 3/SW W/TP/G is  
 3/SW = 3 Switch  
 W/T = With Totalizer Opening  
 P = Push to Start  
 G = Glass

# Housing Module

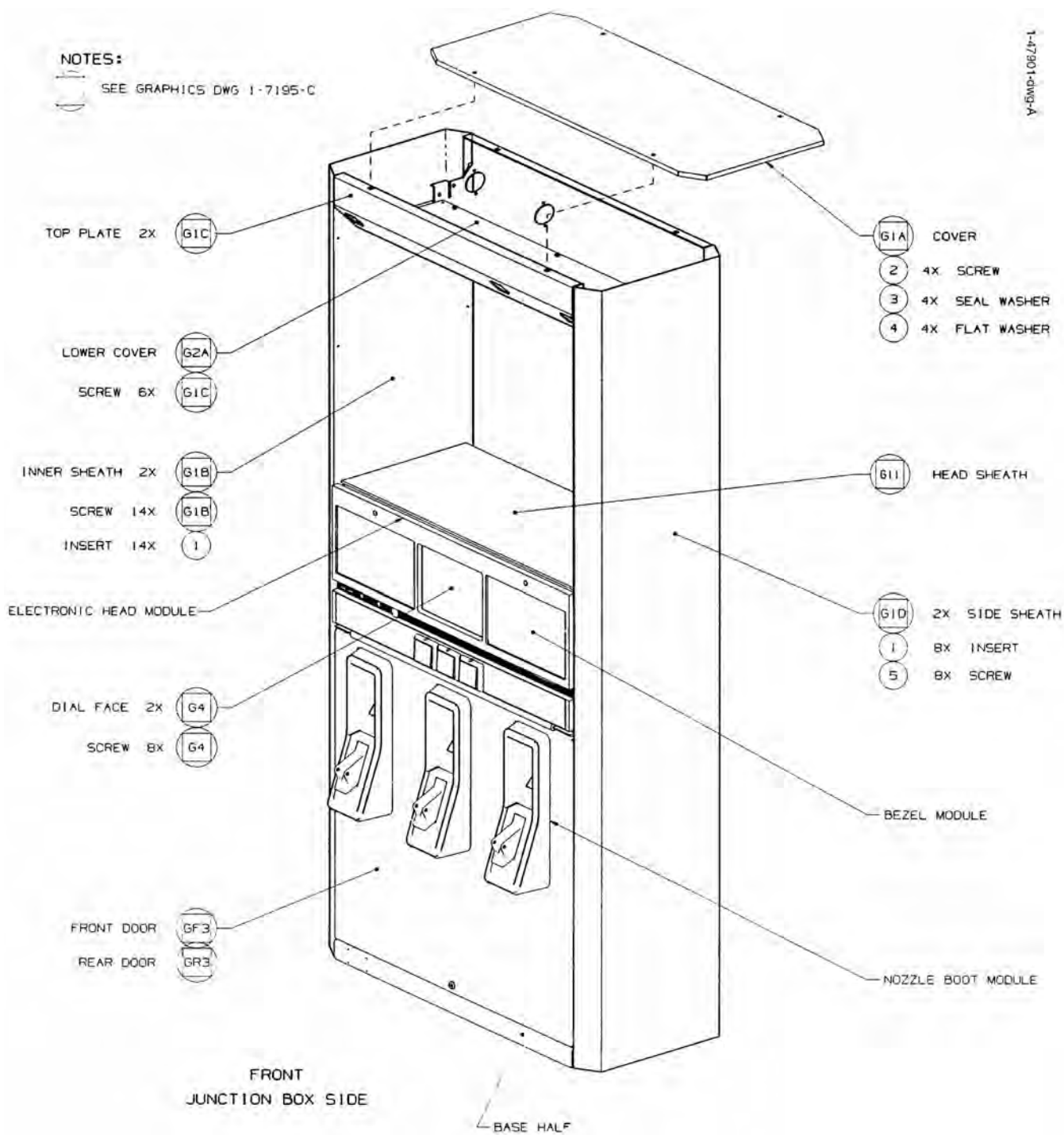
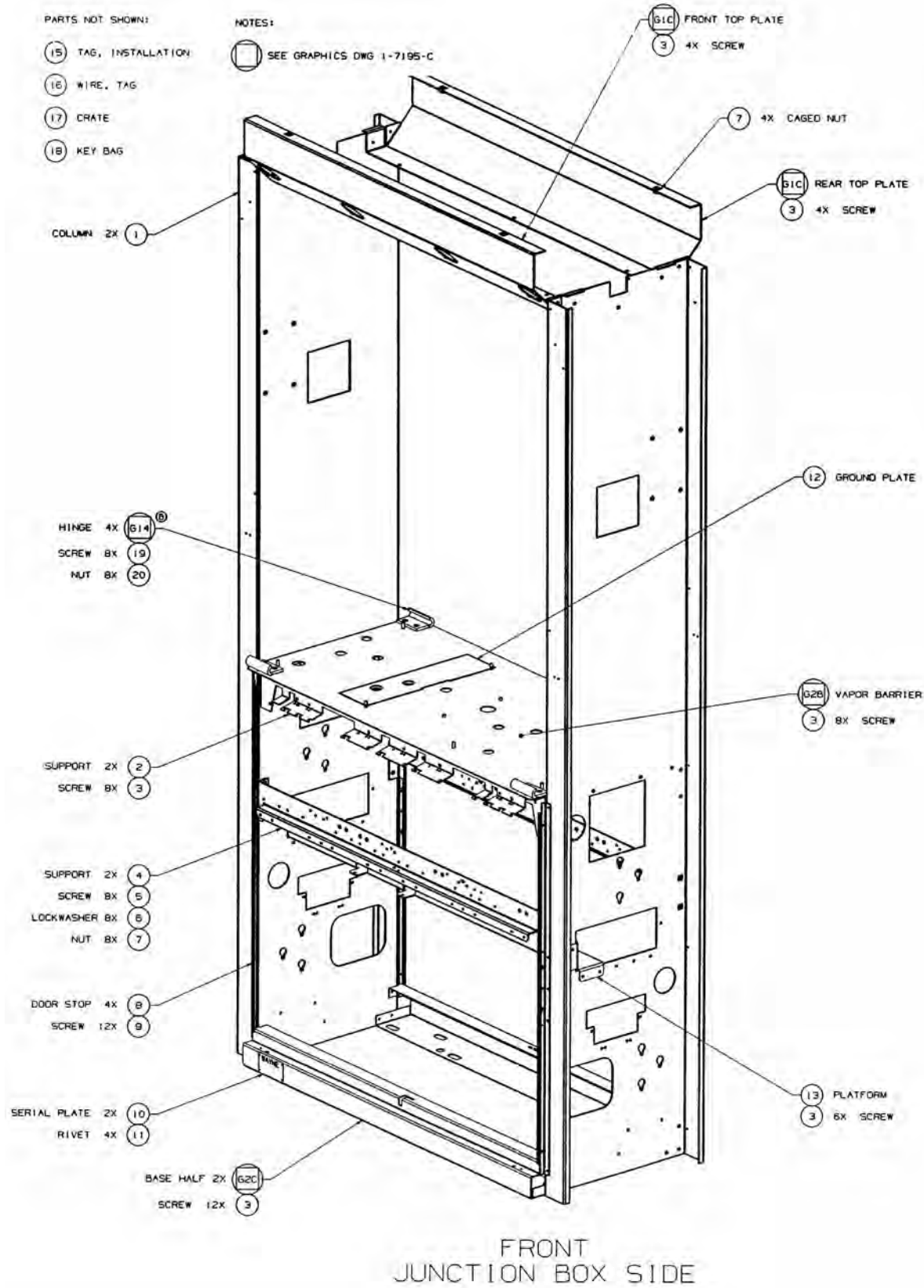


FIGURE 4. 1-47901-DWG - HOUSING MODULE

**TABLE 2. 1-47901 - HOUSING MODULE, IMETER**

<b>Item No.</b>	<b>Part No.</b>	<b>Qty.</b>	<b>Description</b>
	001-047901-		MOD,HOUSING-GHM
DWG	001-007195-00C		GUIDE,GRAPHICS PLACEMENT (SEE FIGURE 2.)
DWG	001-047901-DWG		MOD,HOUSING-GHM
1	-918590-	22	PLASTIC THREAD INSERT
2	-511096-	4	HHC S5/16-18X7/8
3	-916900-	4	WASHER-SEALING
4	-511781-	4	FLAT W7/16X1X.070/.090CD
5	-918291-	8	PHPH S#8 X 1/2 BLACK

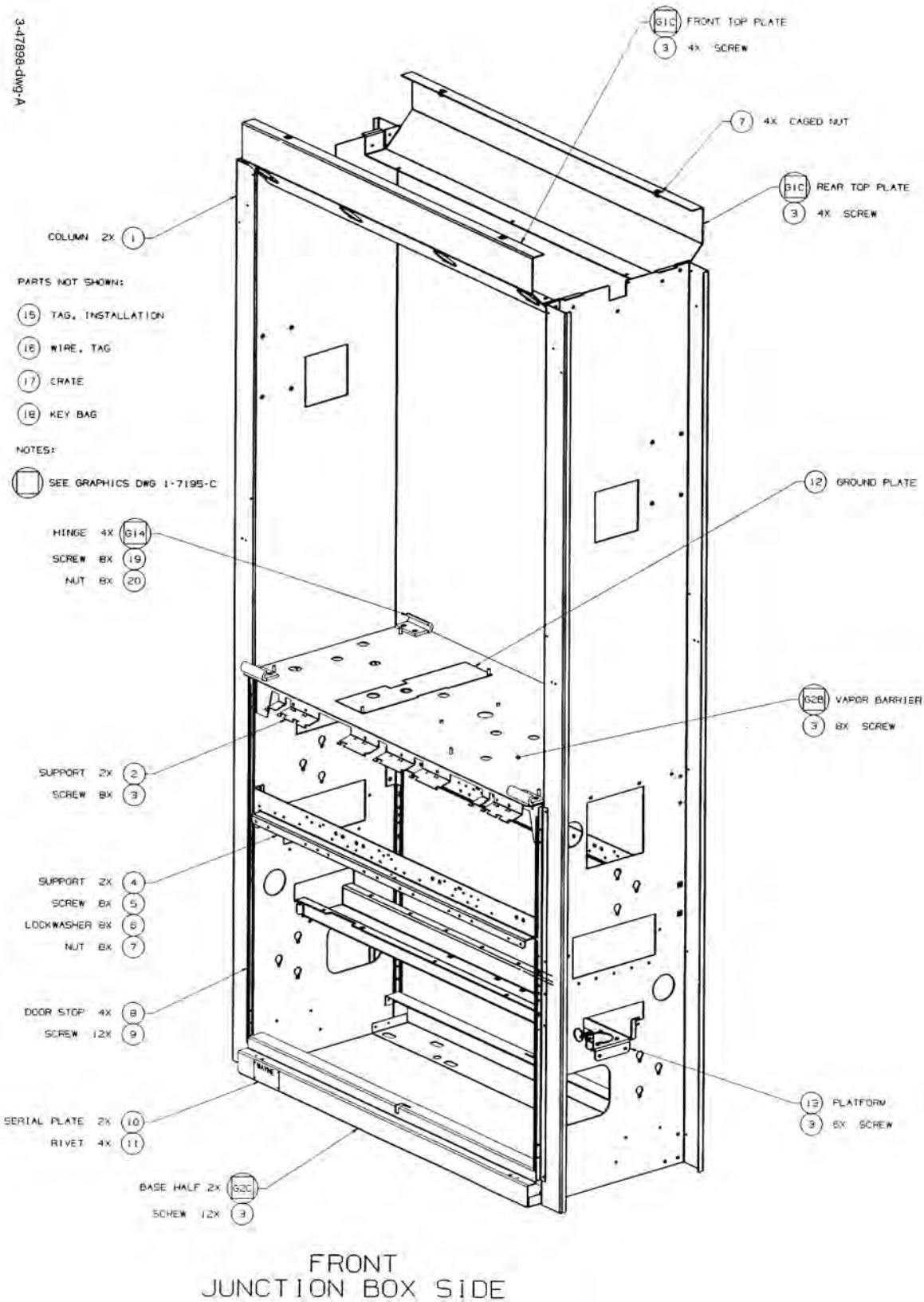


1-47898-DWG-B

**FIGURE 5. 1-47898-DWG - FRAME MODULE, REMOTE IMETER DISPENSER**

**TABLE 3. 1-47898 - FRAME MODULE, REMOTE IMETER DISPENSER**

Item No.	Part No.	Qty.	Description
	001-047898-		MOD,FRAME REMOTE-GHM
DWG	001-007195-00C		GUIDE,GRAPHICS PLACEMENT (SEE FIGURE 2.)
DWG	001-047898-DWG		MOD,FRAME REMOTE-GHM
1	001-301633-	2	COLUMN,ADA GHM VISTA
2	-047594-	2	SUPPORT, V. BARRIER
3	-918513-	42	SCREW, HW HD THRD FORMING
4	-047592-	2	SUPPORT LOWER NOZZLE
5	-507284-	8	HHC S5/16-18X3/4SS ZN G2
6	-902017-	8	LOCK W5/16X1/8X1/16 ZN
7	-918161-	12	N5/16-18CAGED TINN
8	002-047399-	4	DOOR STOP
9	-916907-	12	PHPH S#6-32X5/16 ZN
10	003-200723-	1	PLATE,PATEN & SERIAL NO.
11	002-916433-	4	POP RIVET
12	001-301127-	1	PLATE,GRND,42" GHM VISTA
13	001-301124-	1	PLATFORM,STRAINER,42 IN.
15	-105983-	1	TAG-INSTALLATION INSTR.
16	-907528-	1	WIRE M#26 8 1/2LONG TAG
17	-047414-	1	ASSY. PACKING CASE
18	-905186-	1	KEY BAG 2-3/4X4 OR 3/5
19	-507667-	8	FSHM S1/4-20X5/8
20	-918210-	8	HEX N1/4-20 STOP



**FIGURE 6. 3-47898-DWG - FRAME MODULE SUCTION DISPENSERS**

**TABLE 4. 3-47898 - FRAME MODULE SUCTION DISPENSERS**

Item No.	Part No.	Qty.	Description
	003-047898-		MOD,FRAME SUCTION WIDE
DWG	001-007195-00C		GUIDE,GRAPHICS PLACEMENT (SEE FIGURE 2.)
DWG	003-047898-DWG		MOD,FRAME SUCTION WIDE
1	001-301633-	2	COLUMN,ADA GHM VISTA
2	-047594-	2	SUPPORT, V. BARRIER
3	-918513-	42	SCREW, HW HD THRD FORMING
4	-047592-	2	SUPPORT LOWER NOZZLE
5	-507284-	8	HHC S5/16-18X3/4SS ZN G2
6	-902017-	8	LOCK W5/16X1/8X1/16 ZN
7	-918161-	12	N5/16-18CAGED TINN
8	002-047399-	4	DOOR STOP
9	-916907-	12	PHPH S#6-32X5/16 ZN
10	003-200723-	1	PLATE,PATEN & SERIAL NO.
11	002-916433-	4	POP RIVET
12	001-301127-	1	PLATE,GRND,42" GHM VISTA
13	001-301767-	1	PLATFORM,CPU/MOTOR,42"GHM
15	-105983-	1	TAG-INSTALLATION INSTR.
16	-907528-	1	WIRE M#26 8 1/2LONG TAG
17	-047414-	1	ASSY. PACKING CASE
18	-905186-	1	KEY BAG 2-3/4X4 OR 3/5
19	-507667-	8	FSHM S1/4-20X5/8
20	-918210-	8	HEX N1/4-20 STOP

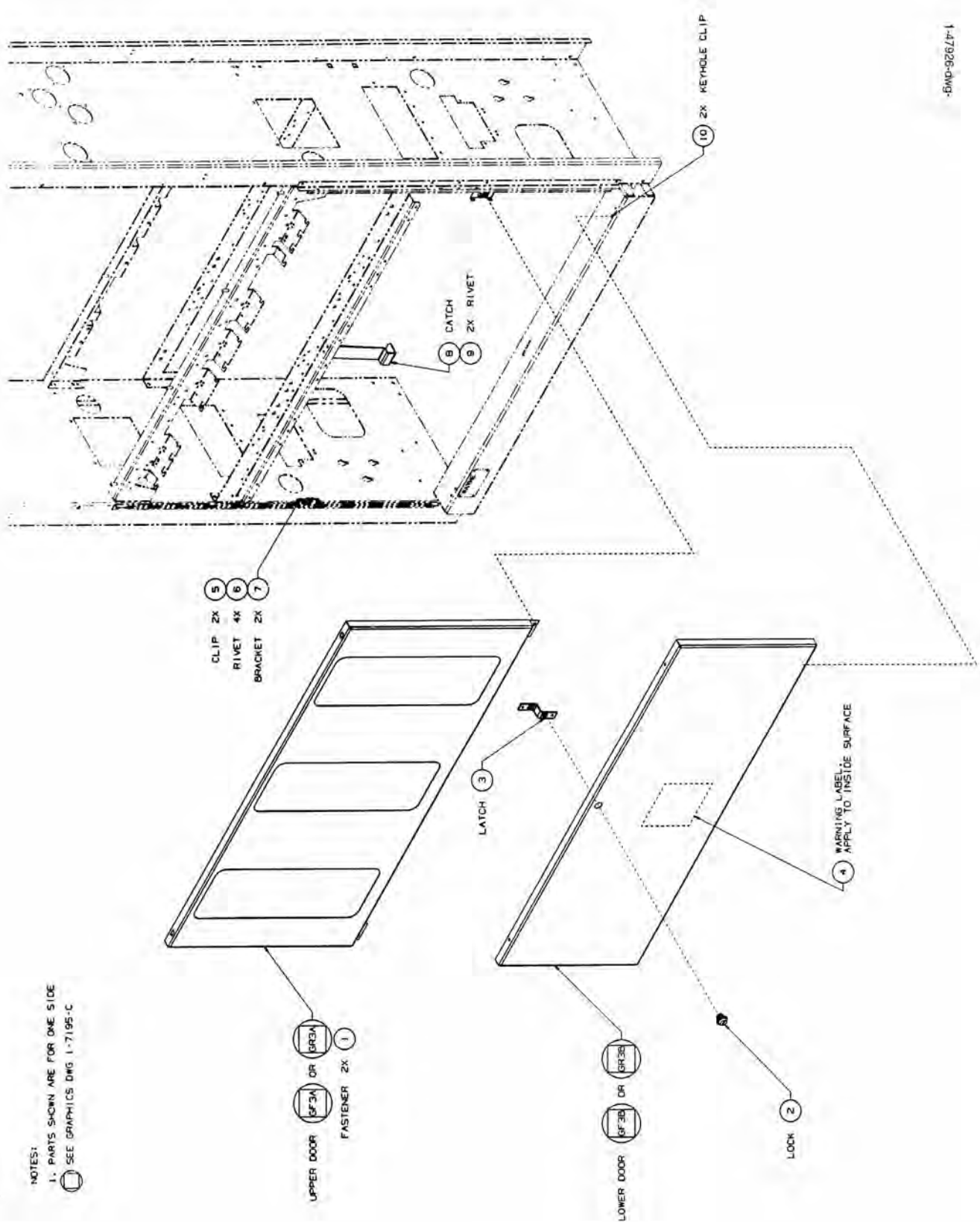


FIGURE 7. 1-47926-DWG - DOOR MODULE 2/V, TWO PIECE

**TABLE 5. 1-47926 - DOOR MODULE, TWOPIECE, IMETER**

<b>Item No.</b>	<b>Part No.</b>	<b>Qty.</b>	<b>Description</b>
	001-047926-		MOD,2 PC DOOR-GHM
DWG	001-007195-00C		GUIDE,GRAPHICS PLACEMENT (SEE FIGURE 2.)
DWG	001-047926-DWG		MOD,2 PC DOOR-GHM
1	-918398-	2	FASTENER- 1/4 TURN
2	-127417-	1	LOCK
3	002-129642-	2	LATCH - (DOOR LOCK)
4	-009233-00B	1	LABEL-FIRE WARNING
5	-918076-	2	CLIP
6	002-916433-	4	POP RIVET
7	001-301238-	2	BRACKET,2 PIECE DOOR
8	-201742-	1	CATCH - DOOR LOCK
9	-918286-	2	RIVET 3/16 MONOBOLT
10	-918534-	2	KEYHOLE CLIP

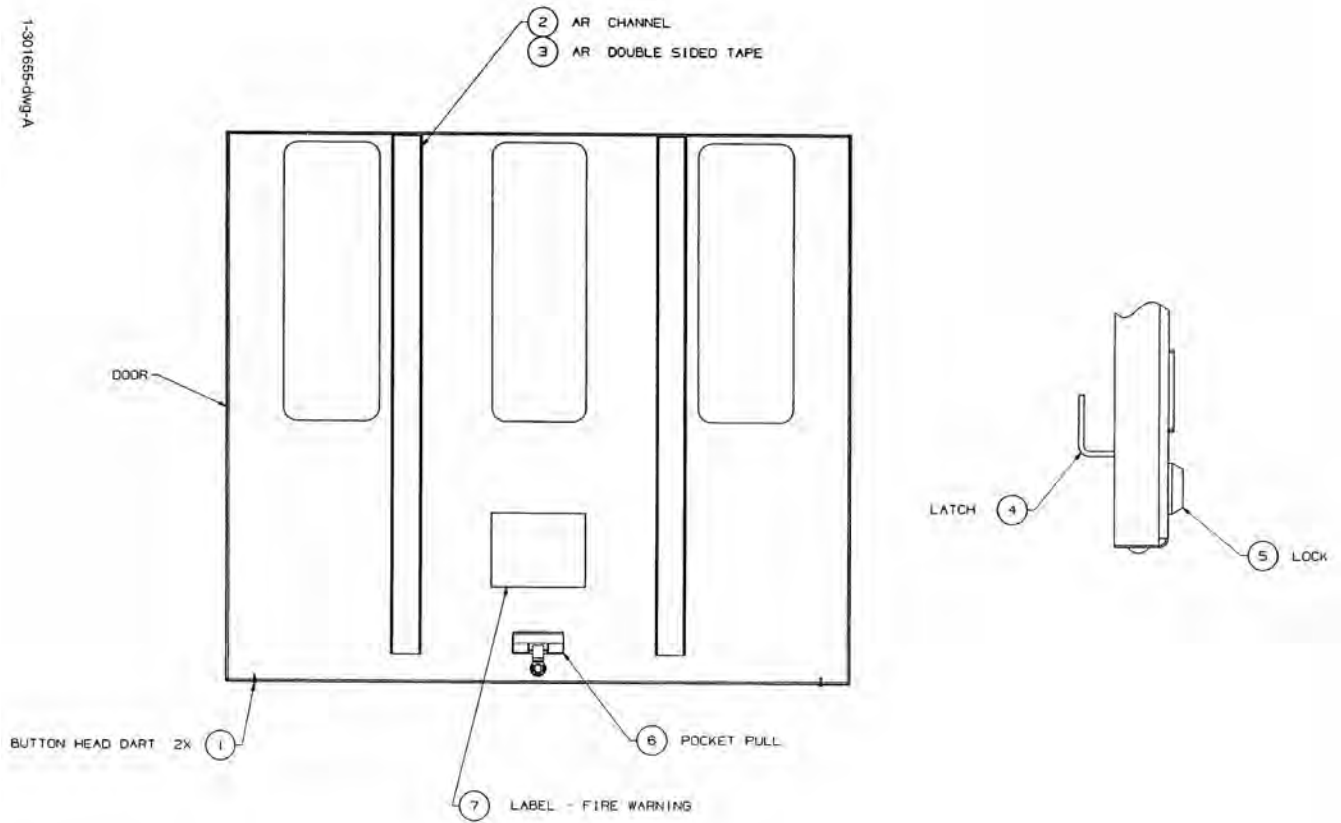


FIGURE 8. 1-301655-DWG - DOOR MODULE 2/V, ONE PIECE WIDE

**TABLE 6. 1-301655 - DOOR MODULE 2/V, ONE PIECE WIDE**

Item No.	Part No.	Qty.	Description
	001-301655-		MOD,DOOR WIDE GHM 1 PIECE
DWG	001-301655-DWG		MOD,DOOR WIDE GHM 1 PIECE
DWG	001-007195-00C		GUIDE,GRAPHICS PLACEMENT (SEE FIGURE 2.)
	47478		DOORS (SEE TABLE 7.)
1	-128993-	2	BUTTON HEAD DART
2	-201761-	2	CHANNEL - DOOR
3	003-913029-		ROLL TAPE 2" X 1/16" DB C
4	004-129642-	1	LATCH - DOOR LOCK
5	-127417-	1	LOCK
7	-009233-00B	1	LABEL-FIRE WARNING

**TABLE 7. DOORS, 90 SERIES**

Item No.	Part No.	Model	Description
	2-47478	ALL	BLANK, SINGLE SIDED
	25-47478	ALL	BLANK, SINGLE SIDED. RECESSED HANDLE
	3-47478	390, 590	3 NOZZLE BOOTS
	6-47478	390/U	1 NOZZLE BOOT ON RIGHT, 2 TOTALIZER OPENINGS
	12-47478	390/U	1 NOZZLE BOOT ON RIGHT
	14-47478	390/U	1 NOZZLE BOOT IN CENTER
	15-47478	390	3 NOZZLE BOOTS, 3 TOTALIZER OPENINGS
	17-47478	390	3 NOZZLE BOOTS, 3 TOTALIZER OPENINGS, RECESSED HANDLE
	10-47478	490	4 NOZZLE BOOTS
	24-47478	490	4 NOZZLE BOOTS, 4 TOTALIZER OPENINGS
	26-47478	490	4 NOZZLE BOOTS, 4 TOTALIZER OPENINGS,RECESSED HANDLE
	40-47478	490/U	2 NOZZLE BOOTS, 2 TOTALIZER OPENING
	21-47478	590/U	1 NOZZLE BOOT ON RIGHT, 2 TOTALIZER OPENINGS
	52-47478	595	2 NOZZLE BOOTS
	5-47478	595	2 NOZZLE BOOTS, 1 TOTALIZER OPENING
	19-47478	595/U	1 NOZZLE BOOT ON LEFT, 2 TOTALIZER OPENINGS

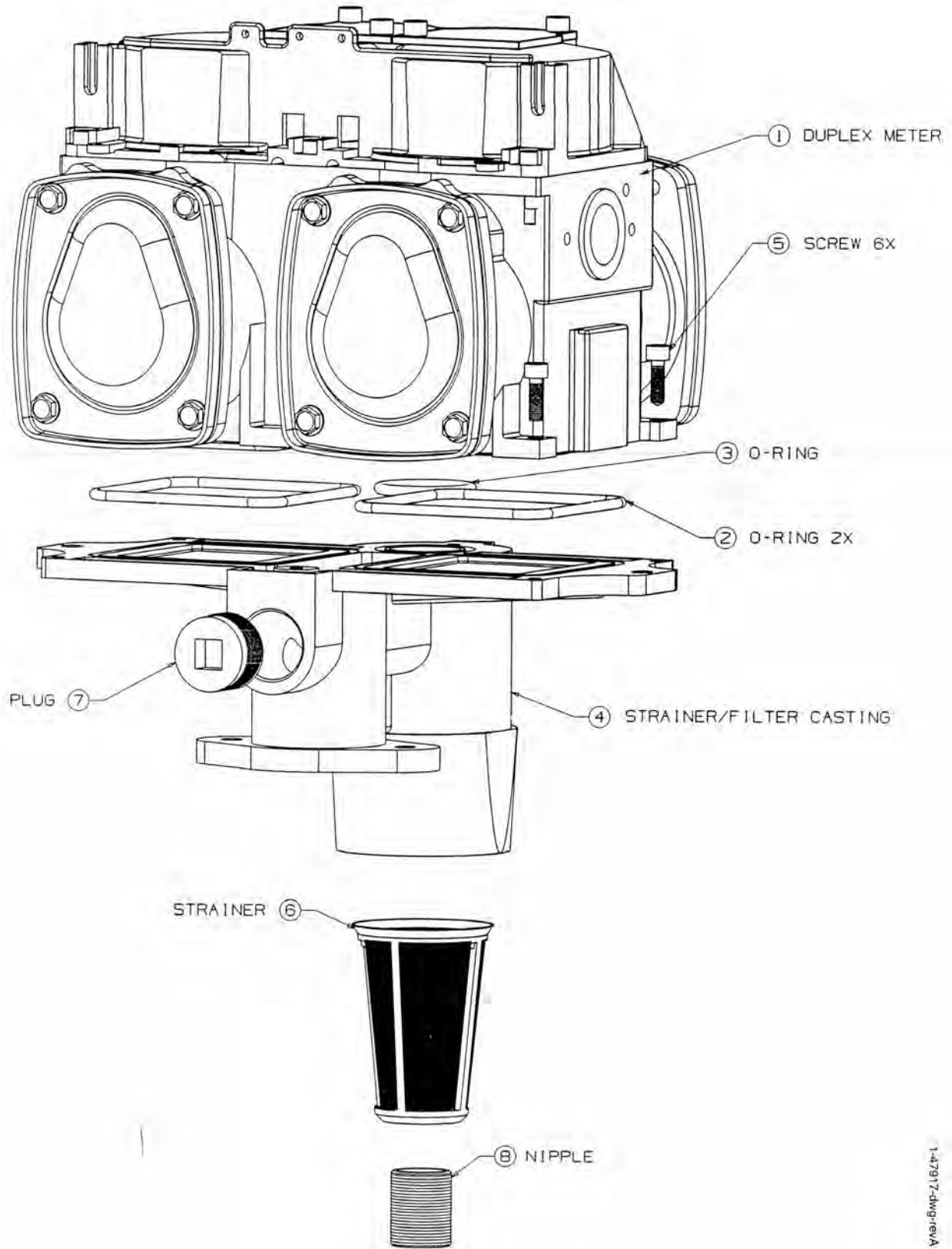


FIGURE 9. 1-47917-DWG - IMETER MODULE, REMOTE

**TABLE 8. 1-47917 - IMETER MODULE, REMOTE W/SLEEVES**

<b>Item No.</b>	<b>Part No.</b>	<b>Qty.</b>	<b>Description</b>
	001-047917-		GHM REMOTE W/SLEEVES
DWG	001-047917-DWG		REMOTE,GLOBAL HYDR. MODUL
1	007-047927-	1	METER,DUPLEX ASSY (MANUFACTURED AFTER 8/99)(SEE VISTA SHARED ASSY MANUAL PART NO. 920345)
2	001-921073-	2	O-RING,101.5 MIN +/- .5MM
3	001-921077-	1	O-RING,34MM +/- .3MM
4	002-047855-	1	CASTING,FILTER STRAINER (MANUFACTURED AFTER 8/99)
5	001-921053-	6	SHCS M6 X 1 X 16MM
6	001-300967-	1	STRAINER
7	-509655-	1	PLUG M1" NPT SQ HD, ZINC
8	-126042-	1	NIPPLE

1-301600-DWG

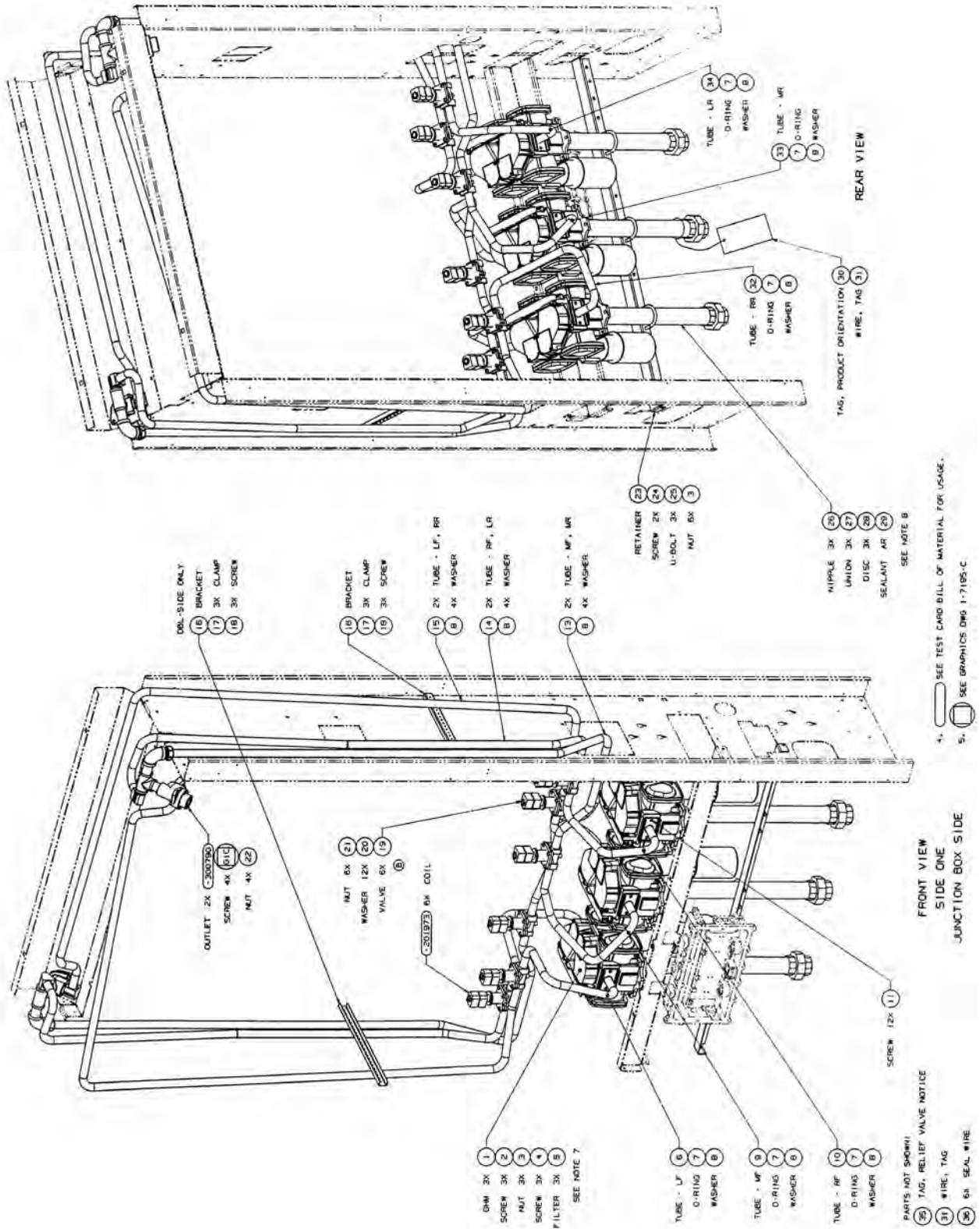


FIGURE 10. 1-301600-DWG - HYDRAULICS MODULE 2/V390D/U, REMOTE, UNI-HOSE

**TABLE 9. 1-300600 - HYDRAULICS MODULE 2/V390D/U, REMOTE, UNI-HOSE**

Item No.	Part No.	Qty.	Description
	001-301600-		MOD,HYD 2/V390D/U
DWG	001-007195-00C		GUIDE,GRAPHICS PLACEMENT (SEE FIGURE 2.)
DWG	001-301600-DWG		MOD,HYD 2/V390D/U REMOTE
1	001-047917-	3	GHM REMOTE W/SLEEVES <b>DUAL SIDED</b> (SEE TABLE 8.)
	001-047918-	3	GHM REMOTE <b>SINGLE SIDED</b>
2	-511096-	9	HHC S5/16-18X7/8
3	-509584-	3	HEX N5/16-18HEX FIX ZN
4	001-921084-	3	SCREW,HEX WASHER HEAD MAC
5	-907407-	3	FILTER
6	001-301572-	1	TUBE,FLANGED LF, 2/V390
7	001-921130-	6	O-RING
8	-129762-	24	WASHER-FLARE
9	001-301573-	1	TUBE,FLANGED MF,2/V390
10	001-301574-	1	TUBE,FLANGED RF, 2/V390
11	001-921053-	12	SHCS M6 X 1 X 16MM
13	001-301599-	2	TUBE,UPPER MF/MR
14	001-301603-	2	TUBE,UPPER RF/LR
15	001-301598-	2	TUBE,UPPER,LF/RR
16	-300155-	2	BRACKET - TUBE STABILIZER
17	-918463-	6	CLAMP - TUBE SUPPORT
18	-918479-	6	SCREW HSWH #12-14 X 3/4
19	003-301031-	6	VALVE,2 STAGE EXT. SLEEVE
20	-126817-	12	WASHER-FLAT CAN
21	-129498-	6	LOCK N1/2 CONDUIT
22	-513317-	4	LOCK N1/4-20 TENSIL ZN
23	001-301300-	1	RETAINER.INLET-GHM VISTA
24	-918513-	2	SCREW, HW HD THRD FORMING
25	002-127422-	3	U-BOLT
26	018-127756-	3	NIPPLE,1-1/2 X 18
27	-512101-	3	UNION 1-1/2 F.F.
28	-200403-	3	DISC
29	-911579-00R		SEALING COMPOUND
30	001-001897-00A	1	TAG,PRODUCT ORIENT.FOR IN
31	-907528-	2	WIRE M#26 8 1/2LONG TAG
32	001-301577-	1	TUBE,FLANGED RR 2/V390D/U
33	001-301576-	1	TUBE,FLANGED LM, 2/V390
34	001-301575-	1	TUBE,FLANGED LR,2/V390D/U
35	-029314-	1	TAG
36	-905410-	6	SEAL WIRE&LEAD



TABLE 10. 3-301600 - HYDRAULICS MODULE 2/V390D, REMOTE

Item No.	Part No.	Qty.	Description
	003-301600-		MOD,HYD 2/V390D
DWG	001-007195-00C		GUIDE,GRAPHICS PLACEMENT (SEE FIGURE 2.)
DWG	003-301600-DWG		MOD,HYD 2/V390D REMOTE
1	001-047917-	3	GHM REMOTE W/SLEEVES (SEE TABLE 8.) (SEE VISTA SHARED ASSY MANUAL PART NO. 920345)
	001-047918-	3	GHM REMOTE SINGLE SIDED (SEE VISTA SHARED ASSY MANUAL PART NO. 920345)
2	-511096-	3	HHC S5/16-18X7/8
3	-509584-	9	HEX N5/16-18HEX FIX ZN
4	001-921084-	3	SCREW,HEX WASHER HEAD MAC
5	-907407-	3	FILTER
6	001-301572-	1	TUBE,FLANGED LF, 2/V390
7	001-921130-	6	O-RING
8	-129762-	24	WASHER-FLARE
9	001-301573-	1	TUBE,FLANGED MF,2/V390
10	001-301574-	1	TUBE,FLANGED RF, 2/V390
11	001-921053-	12	SHCS M6 X 1 X 16MM
12	001-301596-	2	TUBE,UPPRE MF/MR
13	001-301597-	2	TUBE,UPPER RF/LR
14	001-301595-	2	TUBE,UPPER LF/RR
15	-300155-	2	BRACKET - TUBE STABILIZER
16	-918463-	6	CLAMP - TUBE SUPPORT
17	-918479-	6	SCREW HSWH #12-14 X 3/4
18	003-301031-	6	VALVE,2 STAGE EXT. SLEEVE
19	-126817-	12	WASHER-FLAT CAN
20	-129498-	6	LOCK N1/2 CONDUIT
21	001-301300-	1	RETAINER.INLET-GHM VISTA
22	-918513-	2	SCREW, HW HD THRD FORMING
23	002-127422-	3	U-BOLT
24	018-127756-	3	NIPPLE,1-1/2 X 18
25	-512101-	3	UNION 1-1/2 F.F.
26	-200403-	3	DISC
27	-911579-00R		SEALING COMPOUND
28	001-301579-	1	TUBE,FLANGED RR, 2/V390
29	001-301576-	1	TUBE,FLANGED LM, 2/V390
30	001-301578-	1	TUBE,FLANGED LR, 2/V390
31	-029314-	1	TAG
32	-907528-	1	WIRE M#26 8 1/2LONG TAG
33	-905410-	6	SEAL WIRE&LEAD



TABLE 11. 13-301600 - HYDRAULICS MODULE 2/V490D, REMOTE

Item No.	Part No.	Qty.	Description
	013-301600-		MOD,HYD 2/V490D
DWG	001-007195-00C		GUIDE,GRAPHICS PLACEMENT (SEE FIGURE 2.)
DWG	013-301600-DWG		MOD,HYD 2/V490D
1	001-047917-	4	GHM REMOTE W/SLEEVES (SEE VISTA SHARED ASSY MANUAL PART NO. 920345)
2	-511096-	4	HHC S5/16-18X7/8
3	-509584-	12	HEX N5/16-18HEX FIX ZN
4	001-921084-	4	SCREW,HEX WASHER HEAD MAC
5	-907407-	4	FILTER
6	001-301711-	1	TUBE,FLANGED
7	-129762-	24	WASHER-FLARE
8	001-921130-	8	O-RING
9	001-301710-	1	TUBE,FLANGED
10	001-301709-	1	TUBE,FLANGED
11	001-301708-	1	TUBE,FLANGED
12	001-921053-	16	SHCS M6 X 1 X 16MM
13	001-301606-	2	TUBE,UPPER
14	001-301607-	2	TUBE,UPPER
15	001-301604-	2	TUBE,UPPER
16	001-301605-	2	TUBE,UPPER
17	-300155-	2	BRACKET - TUBE STABILIZER
18	-918463-	8	CLAMP - TUBE SUPPORT
19	-918479-	8	SCREW HSWH #12-14 X 3/4
20	003-301031-	8	VALVE,2 STAGE EXT. SLEEVE
21	-126817-	16	WASHER-FLAT CAN
22	-129498-	8	LOCK N1/2 CONDUIT
23	018-127756-	4	NIPPLE,1-1/2 X 18
24	-512101-	4	UNION 1-1/2 F.F.
25	-200403-	4	DISC
26	-911579-00R		SEALING COMPOUND
27	001-301712-	1	TUBE,FLANGED
28	001-301300-	1	RETAINER.INLET-GHM VISTA
29	-918513-	2	SCREW, HW HD THRD FORMING
30	002-127422-	4	U-BOLT
31	001-301713-	1	TUBE,FLANGED
32	001-301714-	1	TUBE,FLANGED
33	001-301715-	1	TUBE,FLANGED
34	-029314-	1	TAG
35	-907528-	1	WIRE M#26 8 1/2LONG TAG
36	-905410-	8	SEAL WIRE&LEAD

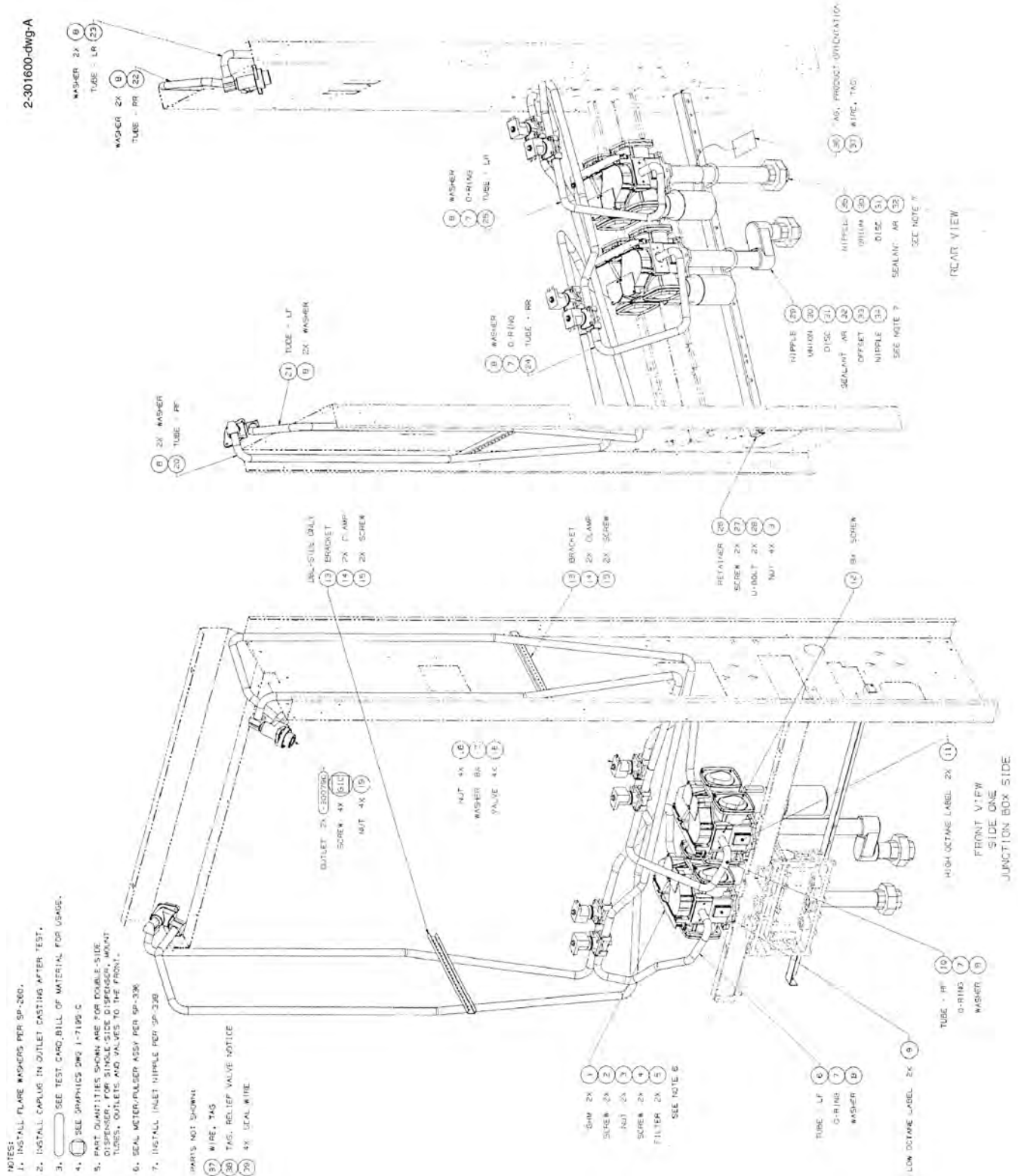


TABLE 12. 2-301600 - HYDRAULICS MODULE 2/V590D/U REMOTE, UNI-HOSE

Item No.	Part No.	Qty.	Description
	002-301600-		MOD,HYD 2/V590D/U
DWG	001-007195-00C		GUIDE,GRAPHICS PLACEMENT (SEE FIGURE 2.)
DWG	002-301600-DWG		MOD,HYD 2/V590D/U REMOTE
1	001-047917-	2	GHM REMOTE W/SLEEVES (SEE VISTA SHARED ASSY MANUAL PART NO. 920345)
	001-047918-	2	GHM REMOTE SINGLE SIDED (SEE VISTA SHARED ASSY MANUAL PART NO. 920345)
2	-511096-	2	HHC S5/16-18X7/8
3	-509584-	6	HEX N5/16-18HEX FIX ZN
4	001-921084-	2	SCREW,HEX WASHER HEAD MAC
5	-907407-	2	FILTER
6	001-301261-	1	TUBE,FLANGED,LF-2/V590
7	001-921130-	4	O-RING
8	-129762-	16	WASHER-FLARE
9	-122438-	2	DECAL
10	001-301262-	1	TUBE,FLANGED,RF-2/V590
11	-122439-	2	DECAL
12	001-921053-	8	SHCS M6 X 1 X 16MM
13	-300155-	2	BRACKET - TUBE STABILIZER
14	-918463-	4	CLAMP - TUBE SUPPORT
15	-918479-	4	SCREW HSWH #12-14 X 3/4
16	002-301142-	4	VALVE,PROPORTIONAL EXT,SL
17	-126817-	8	WASHER-FLAT CAN
18	005-129498-	4	LOCKNUT,CONDUIT
19	-513317-	4	LOCK N1/4-20 TENSIL ZN
20	001-301609-	1	TUBE,UPPER RF
21	001-301608-	1	TUBE,UPPER LF
22	001-301611-	1	TUBE,UPPER RR
23	001-301610-	1	TUBE,UPPER LR
24	001-301619-	1	TUBE,FLANGE RR
25	001-301263-	1	TUBE,FLANGED,LR-2/V590
26	001-301300-	1	RETAINER.INLET-GHM VISTA
27	-918513-	2	SCREW, HW HD THRD FORMING
28	002-127422-	2	U-BOLT
29	013-127756-500	1	NIPPLE-1-1/2 X 13-1/2
30	-512101-	2	UNION 1-1/2 F.F.
31	-200403-	2	DISC
32	-911579-00R		SEALING COMPOUND
33	-300127-	1	INLET - OFFSET
34	003-127756-	1	NIPPLE 1-1/2 X 3 GALV.
35	018-127756-	1	NIPPLE,1-1/2 X 18
36	001-001897-00A	1	TAG,PRODUCT ORIENT.FOR IN
37	-907528-	2	WIRE M#26 8 1/2LONG TAG
38	-029314-	1	TAG
39	-905410-	4	SEAL WIRE&LEAD



TABLE 13. 17-301600 - HYDRAULICS MODULE 2/V590D, REMOTE

Item No.	Part No.	Qty.	Description
	017-301600-		MOD,HYD 2/V590D
DWG	001-007195-00C		GUIDE,GRAPHICS PLACEMENT (SEE FIGURE 2.)
DWG	017-301600-DWG		MOD,HYD 2/V590D
1	001-047917-	2	GHM REMOTE W/SLEEVES (SEE VISTA SHARED ASSY MANUAL PART NO. 920345)
2	-511096-	2	HHC S5/16-18X7/8
3	-509584-	6	HEX N5/16-18HEX FIX ZN
4	001-921084-	2	SCREW,HEX WASHER HEAD MAC
5	-907407-	2	FILTER
6	001-301540-	1	TUBE,FLANGED LF
7	001-921130-	4	O-RING
8	-129761-	12	PLUG - VAPOR LINE
9	-122438-	2	DECAL
10	001-301736-	1	TUBE,FLANGED RF
11	-122439-	2	DECAL
13	001-921053-	8	SHCS M6 X 1 X 16MM
14	001-301827-	2	TUBE,UPPER LF/RR
15	001-301828-	2	TUBE,UPPER RF/LR
16	-300155-	2	BRACKET - TUBE STABILIZER
17	-918463-	2	CLAMP - TUBE SUPPORT
18	-918479-	2	SCREW HSWH #12-14 X 3/4
19	002-301142-	4	VALVE,PROPORTIONAL EXT,SL
20	-126817-	8	WASHER-FLAT CAN
21	005-129498-	4	LOCKNUT,CONDUIT
25	001-301300-	1	RETAINER.INLET-GHM VISTA
26	-918513-	2	SCREW, HW HD THRD FORMING
27	002-127422-	2	U-BOLT
28	001-301735-	1	TUBE,FLANGED RR
29	013-127756-500	1	NIPPLE-1-1/2 X 13-1/2
30	003-127756-	1	NIPPLE 1-1/2 X 3 GALV.
31	-300127-	1	INLET - OFFSET
32	-512101-	2	UNION 1-1/2 F.F.
33	-200403-	2	DISC
34	-911579-00R		SEALING COMPOUND
35	018-127756-	1	NIPPLE,1-1/2 X 18
36	001-301542-	1	TUBE,FLANGED LR
37	001-001897-00A	1	TAG,PRODUCT ORIENT.FOR IN
38	-907528-	2	WIRE M#26 8 1/2LONG TAG
39	-029314-	1	TAG
40	-905410-	4	SEAL WIRE&LEAD

19-301600-dwg-B

- NOTES:
1. INSTALL FLARE WASHERS PER SP-260.
  2. INSTALL CAPLUG IN OUTLET CASTING AFTER TEST.
  3. SEE TEST CARD BILL OF MATERIAL FOR USAGE.
  4. SEE GRAPHICS DWG 1-7192 C.
  5. PART QUANTITIES SHOWN ARE FOR DOUBLE-SIDE DISPENSER. TOP SINGLE-SIDE OR TRIPLE-SIDE MOUNT TUBES, OUTLETS AND VALVES TO THE FRONT.

6. SEAL METERVASSER ASSY PER SP-336.
7. INSTALL INLET NIPPLES PER SP-336.
8. INSTALL VALVES PER SP-342.

PARTS NOT SHOWN:

- (39) TAG, RELIEF VALVE NOTICE
- (38) WIRE, TAG
- (37) SEAL WIRE

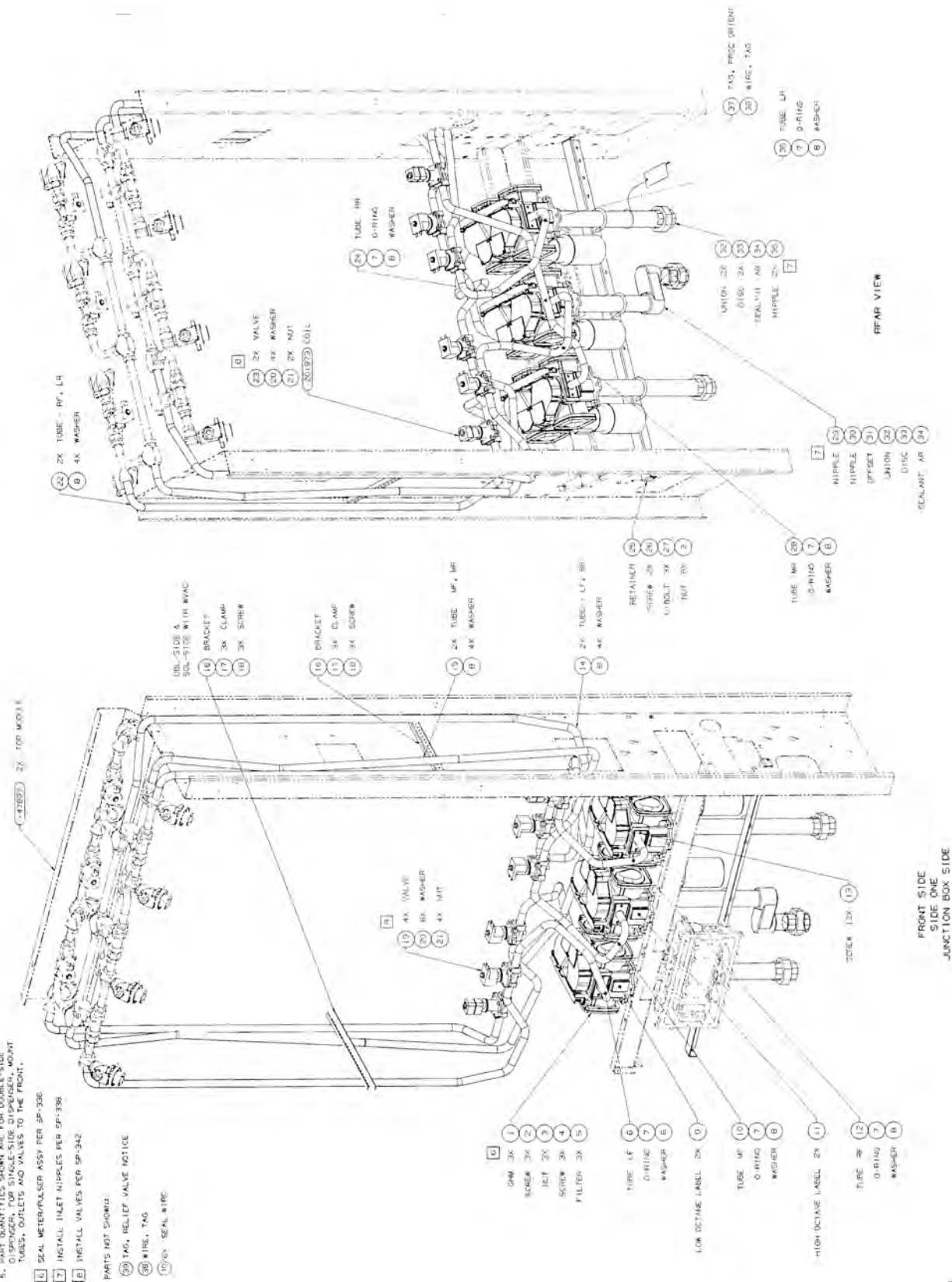


FIGURE 15. 19-301600-DWG - HYDRAULICS MODULE 2V591D, REMOTE

TABLE 14. 19-301600 - HYDRAULICS MODULE 2/V591 REMOTE

Item No.	Part No.	Qty.	Description
	019-301600-		MOD,HYD 2/V591D
DWG	001-007195-00C		GUIDE,GRAPHICS PLACEMENT (SEE FIGURE 2.)
DWG	019-301600-DWG		MOD,HYD 2/V591D
1	001-047917-	3	GHM REMOTE W/SLEEVES (SEE VISTA SHARED ASSY MANUAL PART NO. 920345)
2	-511096-	3	HHC S5/16-18X7/8
3	-509584-	9	HEX N5/16-18HEX FIX ZN
4	001-921084-	3	SCREW,HEX WASHER HEAD MAC
5	-907407-	3	FILTER
6	001-301540-	1	TUBE,FLANGED LF
7	001-921130-	6	O-RING
8	-129762-	18	WASHER-FLARE
9	-122438-	2	DECAL
10	001-301736-	1	TUBE,FLANGED RF
11	-122439-	2	DECAL
12	001-301574-	1	TUBE,FLANGED RF, 2/V390
13	001-921053-	12	SHCS M6 X 1 X 16MM
14	001-301725-	2	TUBE,UPPER LF/RR
15	001-301832-	2	TUBE,UPPER MF/MR
16	-300155-	2	BRACKET - TUBE STABILIZER
17	-918463-	6	CLAMP - TUBE SUPPORT
18	-918479-	6	SCREW HSWH #12-14 X 3/4
19	002-301142-	4	VALVE,PROPORTIONAL EXT,SL (SEE VISTA SHARED ASSY MANUAL PART NO. 920345)
20	-126817-	12	WASHER-FLAT CAN
21	005-129498-	6	LOCKNUT,CONDUIT
22	001-301597-	2	TUBE,UPPER RF/LR
23	003-301031-	2	VALVE,2 STAGE EXT. SLEEVE (SEE VISTA SHARED ASSY MANUAL PART NO. 920345)
24	001-301543-	1	TUBE,FLANGED RR
25	001-301300-	1	RETAINER.INLET-GHM VISTA
26	-918513-	2	SCREW, HW HD THRD FORMING
27	002-127422-	3	U-BOLT
28	001-301735-	1	TUBE,FLANGED RR
29	013-127756-500	1	NIPPLE-1-1/2 X 13-1/2
30	003-127756-	1	NIPPLE 1-1/2 X 3 GALV.
31	-300127-	1	INLET - OFFSET
32	-512101-	3	UNION 1-1/2 F.F.
33	-200403-	3	DISC
34	-911579-00R		SEALING COMPOUND
35	018-127756-	2	NIPPLE,1-1/2 X 18
36	001-301542-	1	TUBE,FLANGED LR
37	001-001897-00A	1	TAG,PRODUCT ORIENT.FOR IN
38	-907528-	2	WIRE M#26 8 1/2LONG TAG
39	-029314-	1	TAG
40	-905410-	4	SEAL WIRE&LEAD



TABLE 15. 21-301600 - HYDRAULICS MODULE 2/V595D REMOTE

Item No.	Part No.	Qty.	Description
	021-301600-		MOD,HYD 2/V595D
DWG	001-007195-00C		GUIDE,GRAPHICS PLACEMENT (SEE FIGURE 2.)
DWG	021-301600-DWG		MOD,HYD 2/V595D
1	001-047917-	3	GHM REMOTE W/SLEEVES (SEE VISTA SHARED ASSY MANUAL PART NO. 920345)
	001-047918-	3	GHM REMOTE SINGLE SIDED (SEE VISTA SHARED ASSY MANUAL PART NO. 920345)
2	-511096-	3	HHC S5/16-18X7/8
3	-509584-	9	HEX N5/16-18HEX FIX ZN
4	001-921084-	3	SCREW,HEX WASHER HEAD MAC
5	-907407-	3	FILTER
6	001-301540-	1	TUBE,FLANGED LF
7	001-921130-	6	O-RING
8	-129762-	18	WASHER-FLARE
9	-122438-	2	DECAL
10	001-301736-	1	TUBE,FLANGED RF
11	-122439-	2	DECAL
12	001-301574-	1	TUBE,FLANGED RF, 2/V390
13	001-921053-	12	SHCS M6 X 1 X 16MM
14	001-301546-	2	TUBE,UPPER LF/RR
15	001-301547-	2	TUBE,UPPER RF/LR
16	-300155-	2	BRACKET - TUBE STABILIZER
17	-918463-	6	CLAMP - TUBE SUPPORT
18	-918479-	6	SCREW HSWH #12-14 X 3/4
19	002-301142-	4	VALVE,PROPORTIONAL EXT,SL
20	-126817-	12	WASHER-FLAT CAN
21	005-129498-	6	LOCKNUT,CONDUIT
22	001-301597-	2	TUBE,UPPER RF/LR
23	003-301031-	2	VALVE,2 STAGE EXT. SLEEVE
24	001-301543-	1	TUBE,FLANGED RR
25	001-301300-	1	RETAINER.INLET-GHM VISTA
26	-918513-	2	SCREW, HW HD THRD FORMING
27	002-127422-	3	U-BOLT
28	001-301735-	1	TUBE,FLANGED RR
29	013-127756-500	1	NIPPLE-1-1/2 X 13-1/2
30	003-127756-	1	NIPPLE 1-1/2 X 3 GALV.
31	-300127-	1	INLET - OFFSET
32	-512101-	3	UNION 1-1/2 F.F.
33	-200403-	3	DISC
34	-911579-00R		SEALING COMPOUND
35	018-127756-	2	NIPPLE,1-1/2 X 18
36	001-301542-	1	TUBE,FLANGED LR
37	001-001897-00A	1	TAG,PRODUCT ORIENT.FOR IN
38	-907528-	2	WIRE M#26 8 1/2LONG TAG
39	-029314-	1	TAG
40	-905410-	4	SEAL WIRE&LEAD

23-301600-dwg-A

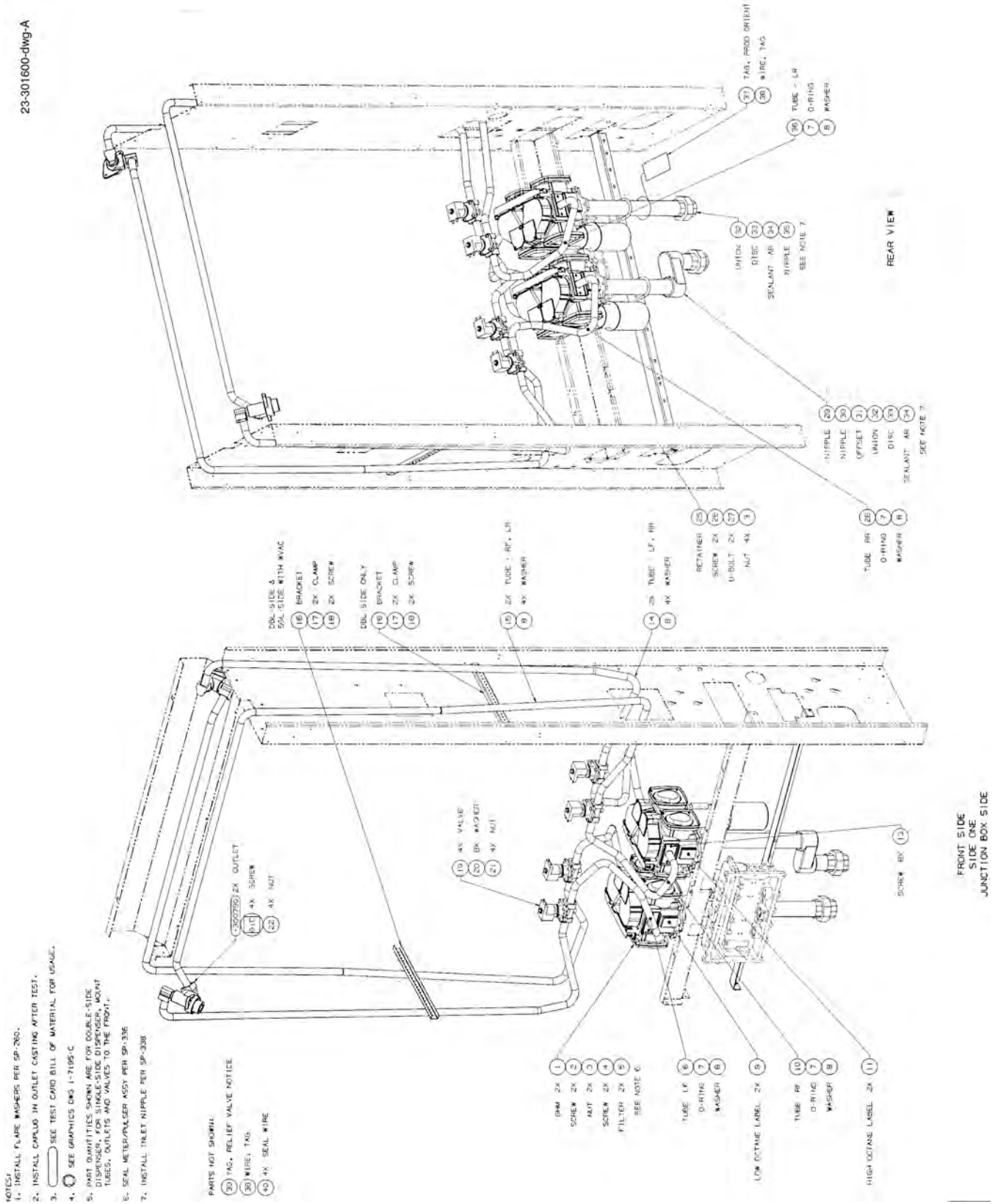
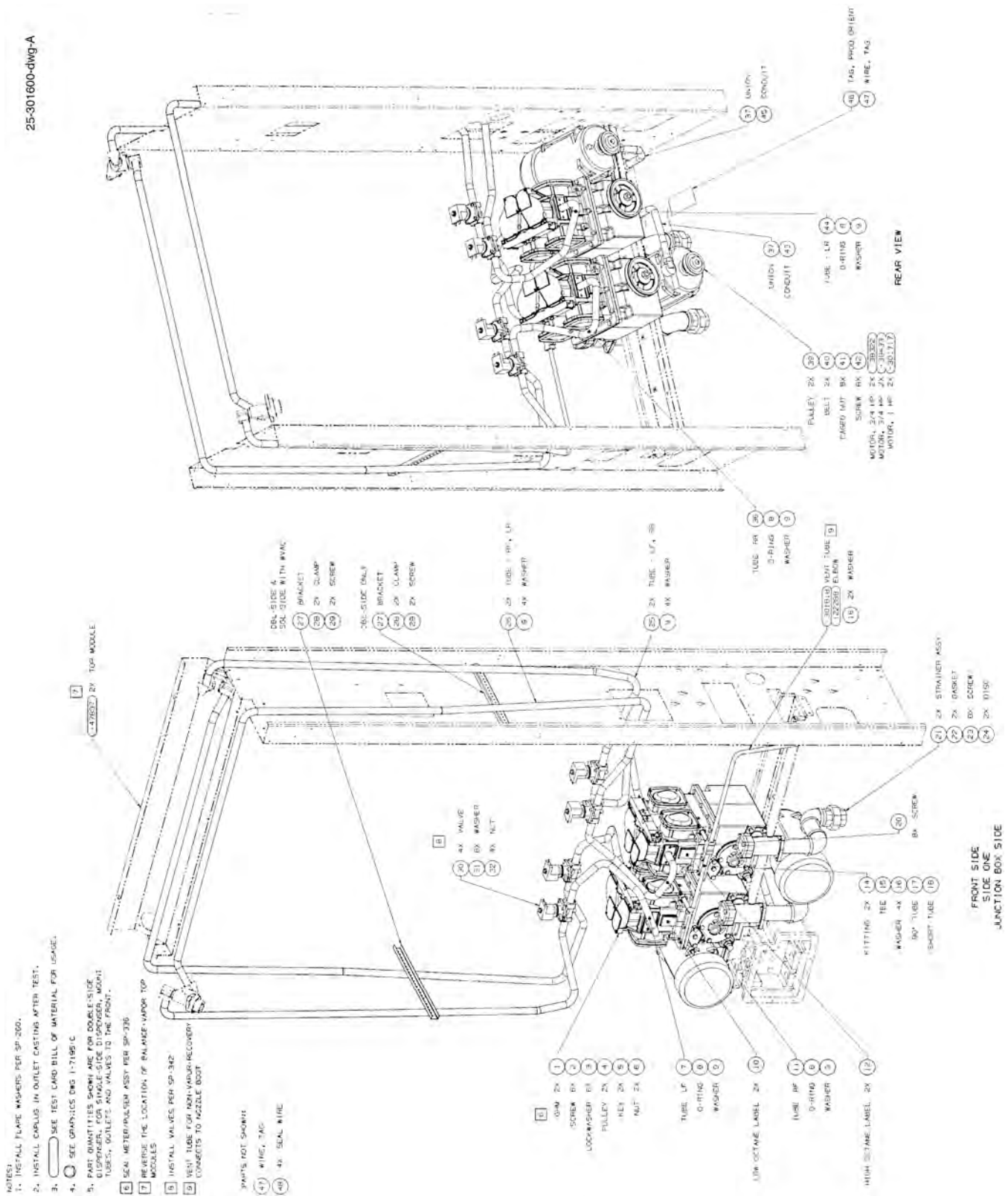


FIGURE 17. 23-301600-DWG - HYDRAULICS MODULE 2/V595D/U, REMOTE UNI-HOSE

TABLE 16. 23-301600 - HYDRAULICS MODULE 2/V595D/U, REMOTE UNI-HOSE

Item No.	Part No.	Qty.	Description
	023-301600-		MOD,HYD 2/V595D/U
DWG	001-007195-00C		GUIDE,GRAPHICS PLACEMENT (SEE FIGURE 2.)
DWG	023-301600-DWG		MOD,HYD 2/V595D/U
1	001-047917-	2	GHM REMOTE W/SLEEVES (SEE VISTA SHARED ASSY MANUAL PART NO. 920345)
	001-047918-	2	GHM REMOTE SINGLE SIDED (SEE VISTA SHARED ASSY MANUAL PART NO. 920345)
2	-511096-	2	HHC S5/16-18X7/8
3	-509584-	6	HEX N5/16-18HEX FIX ZN
4	001-921084-	2	SCREW,HEX WASHER HEAD MAC
5	-907407-	2	FILTER
6	001-301540-	1	TUBE,FLANGED LF
7	001-921130-	4	O-RING
8	-129762-	12	WASHER-FLARE
9	-122438-	2	DECAL
10	001-301736-	1	TUBE,FLANGED RF
11	-122439-	2	DECAL
13	001-921053-	8	SHCS M6 X 1 X 16MM
14	001-301546-	2	TUBE,UPPER LF/RR
15	001-301547-	2	TUBE,UPPER RF/LR
16	-300155-	2	BRACKET - TUBE STABILIZER
17	-918463-	4	CLAMP - TUBE SUPPORT
18	-918479-	4	SCREW HSWH #12-14 X 3/4
19	002-301142-	4	VALVE,PROPORTIONAL EXT,SL
20	-126817-	8	WASHER-FLAT CAN
21	005-129498-	4	LOCKNUT,CONDUIT
22	-513317-	4	LOCK N1/4-20 TENSIL ZN
25	001-301300-	1	RETAINER.INLET-GHM VISTA
26	-918513-	2	SCREW, HW HD THRD FORMING
27	002-127422-	2	U-BOLT
28	001-301735-	1	TUBE,FLANGED RR
29	013-127756-500	1	NIPPLE-1-1/2 X 13-1/2
30	003-127756-	1	NIPPLE 1-1/2 X 3 GALV.
31	-300127-	1	INLET - OFFSET
32	-512101-	2	UNION 1-1/2 F.F.
33	-200403-	2	DISC
34	-911579-00R		SEALING COMPOUND
35	018-127756-	1	NIPPLE,1-1/2 X 18
36	001-301542-	1	TUBE,FLANGED LR
37	001-001897-00A	1	TAG,PRODUCT ORIENT.FOR IN
38	-907528-	1	WIRE M#26 8 1/2LONG TAG
39	-029314-	1	TAG
40	-905410-	4	SEAL WIRE&LEAD

25-301600-dwg-A



**FIGURE 18. 25-301600-DWG - HYDRAULICS MODULE 2/V595P/U, SUCTION UNI-HOSE**

TABLE 17. 25-301600 - HYDRAULICS MODULE 2/V595P/U, SUCTION UNI-HOSE

Item No.	Part No.	Qty.	Description
	025-301600-		MOD,HYD 2/V595P/U
DWG	001-007195-00C		GUIDE,GRAPHICS PLACEMENT (SEE FIGURE 2.)
DWG	025-301600-DWG		MOD,HYD 2/V595P/U
1	001-047919-	2	GHM SUCTION DUPLEX/ W/SLE (SEE VISTA SHARED ASSY MANUAL PART NO. 920345)
3	-902017-	6	LOCK W5/16X1/8X1/16 ZN
4	-201905-	2	PULLEY,STEEL STAMPING
5	-115550-	2	KEY,WOODRUFF #606 ANSI
6	-511670-	2	JAM N5/8-18 HEX ZN
7	001-301540-	1	TUBE,FLANGED LF
8	001-921130-	4	O-RING
9	-129762-	12	WASHER-FLARE
10	-122438-	2	DECAL
11	001-301736-	1	TUBE,FLANGED RF
12	-122439-	2	DECAL
14	001-921421-	2	FITTING,STRAIGHT 1/2"FLR.
15	-918268-	1	TEE M1/2X1/2X1/2INVERT
16	002-129762-	6	WASHER,FLARE
17	001-301777-	1	TUBE,VENT 90 DEG
18	002-301258-	1	TUBE,STR,FLARED 1/2
20	001-921053-	8	SHCS M6 X 1 X 16MM
21	001-301819-	2	STRAIENR ASSY
22	-129882-	2	GASKET, INLET
23	003-918621-	14	SCREW, HHC M8 X 18MM
24	-200403-	2	DISC
25	001-301546-	2	TUBE,UPPER LF/RR
26	001-301547-	2	TUBE,UPPER RF/LR
27	-300155-	2	BRACKET - TUBE STABILIZER
28	-918463-	4	CLAMP - TUBE SUPPORT
29	-918479-	4	SCREW HSWH #12-14 X 3/4
30	002-301142-	4	VALVE,PROPORTIONAL EXT,SL
31	-126817-	8	WASHER-FLAT CAN
32	005-129498-	4	LOCKNUT,CONDUIT
36	001-301735-	1	TUBE,FLANGED RR
37	-122265-	3	UNION,1/2 CONDUIT
39	-027944-	2	PULLEY
40	-918856-	2	BELT,PLUS V, POWER TWIST
41	-918161-	8	N5/16-18CAGED TINN
42	-507284-	8	HHC S5/16-18X3/4SS ZN G2
43	001-301816-	1	CONDIT,MOTOR-CNTR POS.
44	001-301542-	1	TUBE,FLANGED LR
45	001-301766-	1	CONDUIT,MTR,LEFT POSITION
46	001-001897-00A	1	TAG,PRODUCT ORIENT.FOR IN
47	-907528-	2	WIRE M#26 8 1/2LONG TAG
48	-905410-	4	SEAL WIRE&LEAD

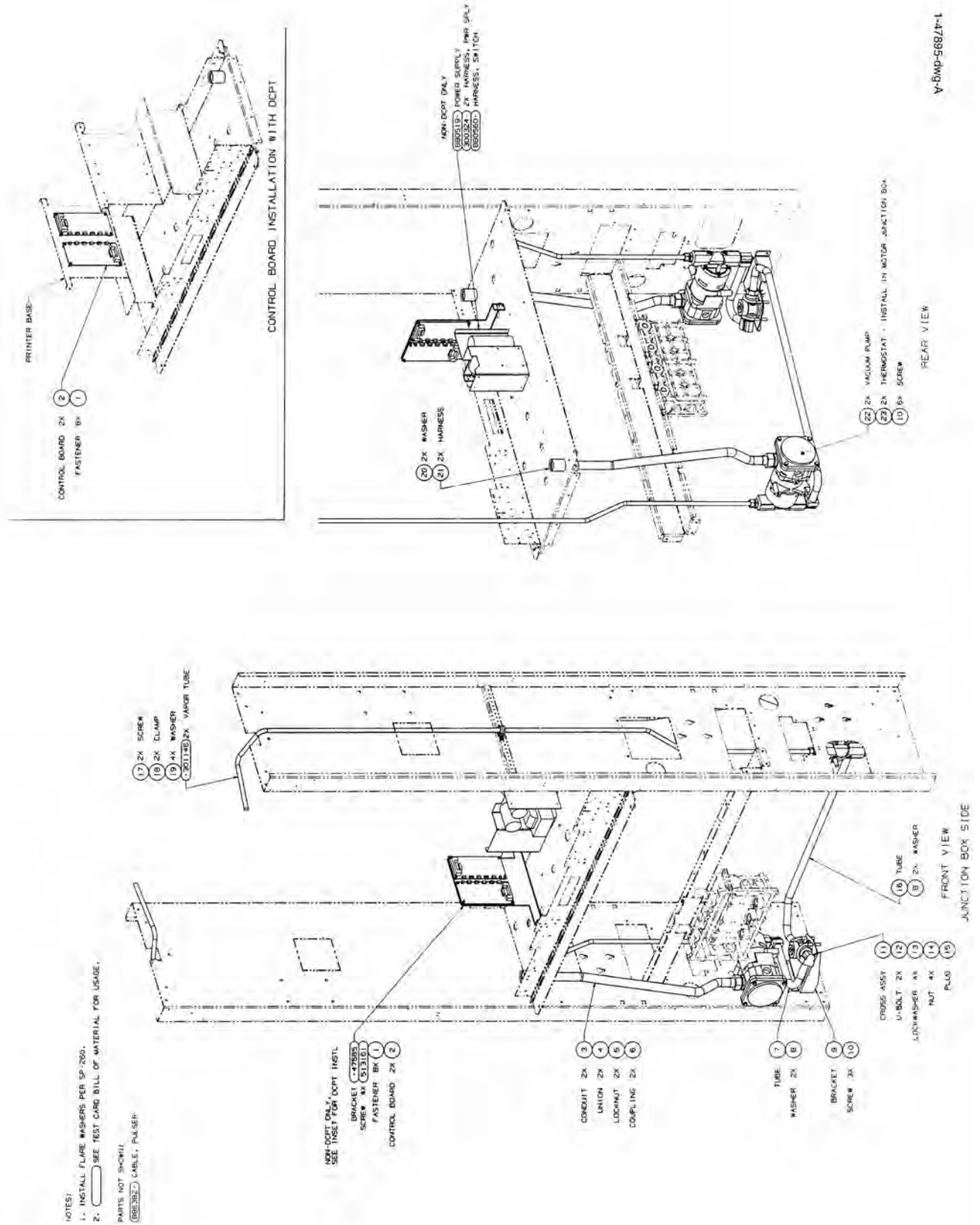


FIGURE 19. 1-47895-DWG - WAYNE VAC, IMETER

TABLE 18. 1-47895 - WAYNE VAC MODULE, IMETER

Item No.	Part No.	Qty.	Description
	001-047895-		MOD,WVAC-GHM
DWG	001-047895-DWG		MOD,WVAC-GHM
1	-918642-	8	FASTENER, STANDOFF 1/4
2	882863-004	2	CONTROL BOARD
3	001-301602-	2	CONDUIT,WVAC PUMP GHM
4	-914516-	2	3/4 NPT CONDUIT UNION
5	-512724-	2	LOCK N3/4 NPSL CONDUIT
6	-129710-	2	COUPLING
7	001-301135-	1	TUBE,VAPOR DRAIN,GHM
8	-129762-	4	WASHER-FLARE
9	001-301134-	1	BRACKET,VAPOR CROSS-GHM
10	-918513-	9	SCREW, HW HD THRD FORMING
11	017-300236-	1	FITTINGS,CROSS & INV FLR. (SEE VISTA SHARED ASSY MANUAL PART NO. 920345)
12	002-127422-	2	U-BOLT
13	-902017-	4	LOCK W5/16X1/8X1/16 ZN
14	-509584-	4	HEX N5/16-18HEX FIX ZN
15	-918009-	1	PLUG, CAPLUG 1 1/4"
16	001-301136-	1	TUBE,VAPOR DRAIN,WIDE GHM
17	-918479-	2	SCREW HSWH #12-14 X 3/4
18	-918940-	2	CLAMP,TUBE SUPPORT
19	002-129762-	4	WASHER,FLARE
20	003-126817-	2	WASHER - FLAT
21	001-301177-HRN	2	HARNESS,WIRING WV-GHM
22	006-300826-	2	PUMP,VACUUM & FITTING ASY (SEE VISTA SHARED ASSY MANUAL PART NO. 920345)
23	003-201879-	2	THERMOSTAT,W/V ASSY

**TABLE 19. 2-47895 - WAYNE VAC MODULE, SINGLE SIDED LEFT**

Item No.	Part No.	Qty.	Description
	002-047895-		MOD,WVAC,SGL SIDE LEFT
DWG	001-047895-DWG		MOD,WVAC-GHM
	880519		POWER SUPPLY
	880560		SWITCH ASSY.
	886382		NOZZLE CABLE
	-047585-		BRACKET, COMPUTER BOARD
	-301146-		VAPOR TUBE
	-513161-		SLWA S#8X3/8 T/A CD
	-SP-260-		SEALING POLYPROP. WASHER
1	-918642-	4	FASTENER, STANDOFF 1/4
2	882863-004	1	CONTROL BOARD
3	001-301602-	1	CONDUIT,WVAC PUMP GHM
4	-914516-	1	3/4 NPT CONDUIT UNION
5	-512724-	1	LOCK N3/4 NPSL CONDUIT
6	-129710-	1	COUPLING
7	001-301135-	1	TUBE,VAPOR DRAIN,GHM
8	-129762-	2	WASHER-FLARE
9	001-301134-	1	BRACKET,VAPOR CROSS-GHM
10	-918513-	9	SCREW, HW HD THRD FORMING
11	018-300236-	1	FITTINGS,CROSS & INV FLR.
12	002-127422-	2	U-BOLT
13	-902017-	4	LOCK W5/16X1/8X1/16 ZN
14	-509584-	4	HEX N5/16-18HEX FIX ZN
15	-918009-	1	PLUG, CAPLUG 1 1/4"
16	002-129762-	2	WASHER,FLARE
17	-918479-	1	SCREW HSWH #12-14 X 3/4
18	-918940-	1	CLAMP,TUBE SUPPORT
19	006-300826-	1	PUMP,VACUUM & FITTING ASY
20	003-201879-	1	THERMOSTAT,W/V ASSY
21	003-126817-	1	WASHER - FLAT
22	001-301177-HRN	1	HARNESS,WIRING WV-GHM





**TABLE 20. 3-47895 - WAYNE VAC MODULE, SINGLE SIDED RIGHT**

Item No.	Part No.	Qty.	Description
	003-047895-		MOD,WVAC,SGL SIDE RIGHT
DWG	003-047895-DWG		MOD,WVAC,SGL SIDE RIGHT
	880519		POWER SUPPLY
	880560		SWITCH ASSY.
	886382		NOZZLE CABLE
	-047585-		BRACKET, COMPUTER BOARD
	-300324-		WIRING HARNESS WAYNE VAC
	-301146-		VAPOR TUBE
	-513161-		SLWA S#8X3/8 T/A CD
1	-918642-	4	FASTENER, STANDOFF 1/4
2	882863-004	1	CONTROL BOARD
3	001-301134-	1	BRACKET,VAPOR CROSS-GHM
4	-918513-	9	SCREW, HW HD THRD FORMING
5	010-300236-	1	FITTING,CROSS&INV. FL ASY (SEE VISTA SHARED ASSY MANUAL PART NO. 920345)
6	002-127422-	2	U-BOLT
7	-902017-	4	LOCK W5/16X1/8X1/16 ZN
8	-509584-	4	HEX N5/16-18HEX FIX ZN
9	-918009-	1	PLUG, CAPLUG 1 1/4"
10	001-301136-	1	TUBE,VAPOR DRAIN,WIDE GHM
11	-129762-	2	WASHER-FLARE
12	002-129762-	2	WASHER,FLARE
13	-918940-	1	CLAMP,TUBE SUPPORT
14	-918479-	1	SCREW HSWH #12-14 X 3/4
15	003-126817-	1	WASHER - FLAT
16	001-301177-HRN	1	HARNESS,WIRING WV-GHM
17	001-301602-	1	CONDUIT,WVAC PUMP GHM
18	-914516-	1	3/4 NPT CONDUIT UNION
19	-512724-	1	LOCK N3/4 NPSL CONDUIT
20	-129710-	1	COUPLING
21	006-300826-	1	PUMP,VACUUM & FITTING ASY (SEE VISTA SHARED ASSY MANUAL PART NO. 920345)
22	003-201879-	1	THERMOSTAT,W/V ASSY

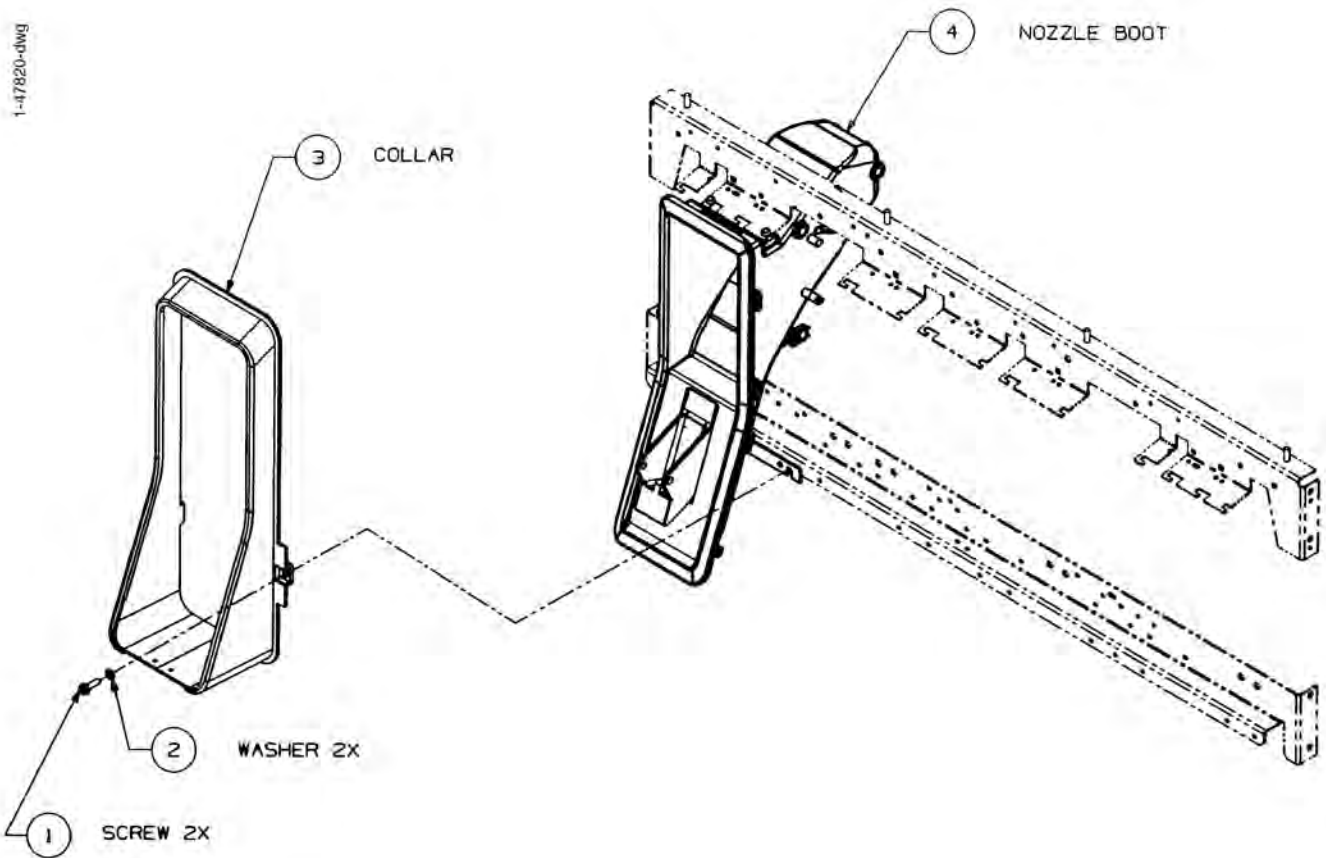


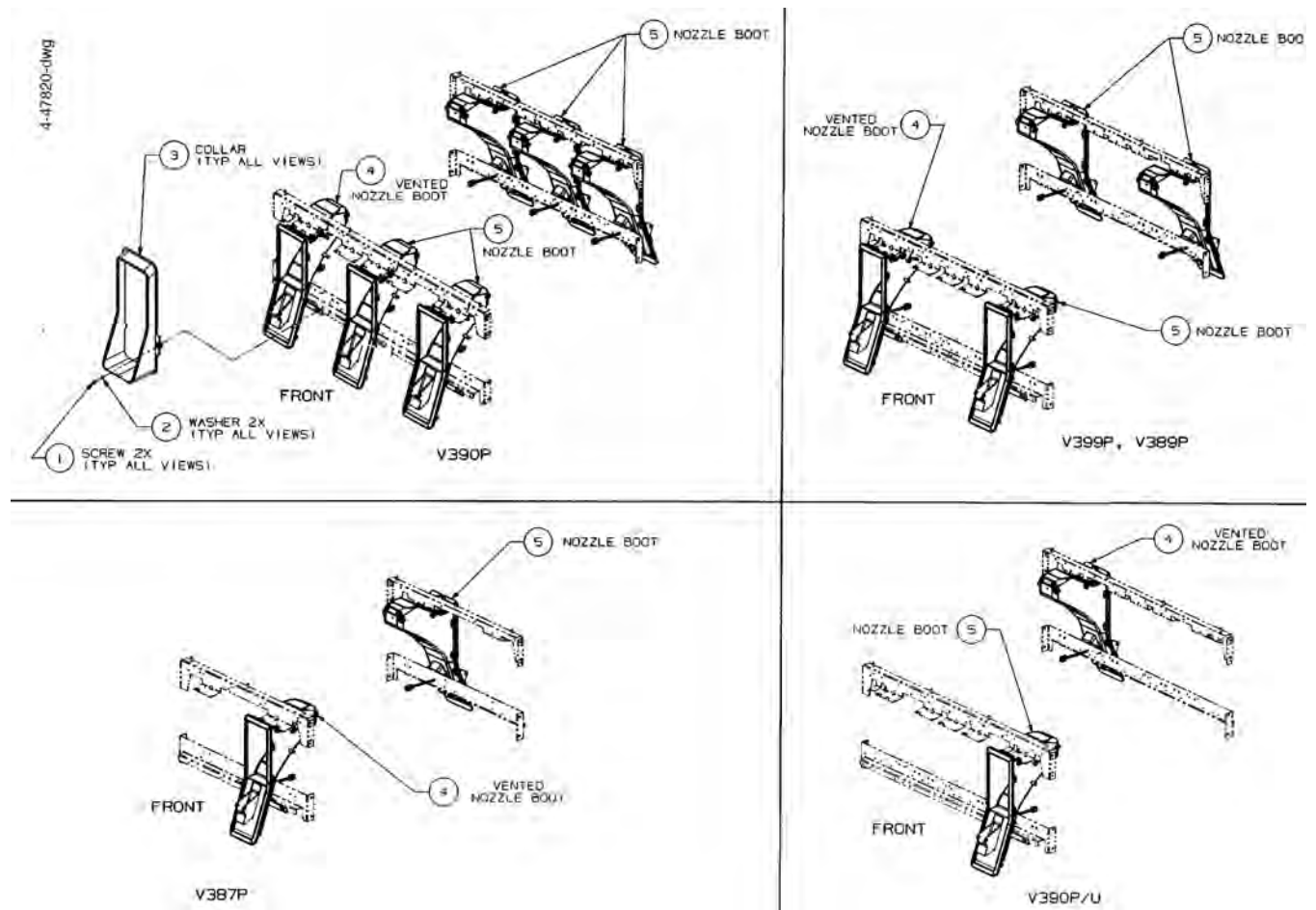
FIGURE 21. 1-47820-DWG - NOZZLE BOOT

**TABLE 21. 1-47820 - NOZZLE BOOT MODULE, LIFT TO START**

Item No.	Part No.	Qty.	Description
	0C1-047820-		MOD,NOZ BOOT LTS
DWG	001-047820-DWG		MOD,NOZZLE BOOT LTS
1	-916695-	2	TTWA S1/4-20X7/8 UNSLOT
2	-905245-	2	FLAT W1/4 SHAKEPROOF STL
3	-047377-	1	COLLAR - NOZZLE BOOT
4	001-047790-	1	BOOT,NOZZLE ASSY L. TO S. (SEE VISTA SHARED ASSY MANUAL PART NO. 920345)

**TABLE 22. 3-47820 - NOZZLE BOOT MODULE, PUSH TO START**

Item No.	Part No.	Qty.	Description
	003-047820-		MOD,NOZ BOOT PTS
DWG	001-047820-DWG		MOD,NOZZLE BOOT LTS
1	-916695-	2	TTWA S1/4-20X7/8 UNSLOT
2	-905245-	2	FLAT W1/4 SHAKEPROOF STL
3	-047377-	1	COLLAR - NOZZLE BOOT
4	001-047792-	1	BOOT,NOZZLE ASSY P. TO S. (SEE VISTA SHARED ASSY MANUAL PART NO. 920345)



**FIGURE 22. 4-47820-DWG - NOZZLE BOOT, PUSH TO START, VENTED**

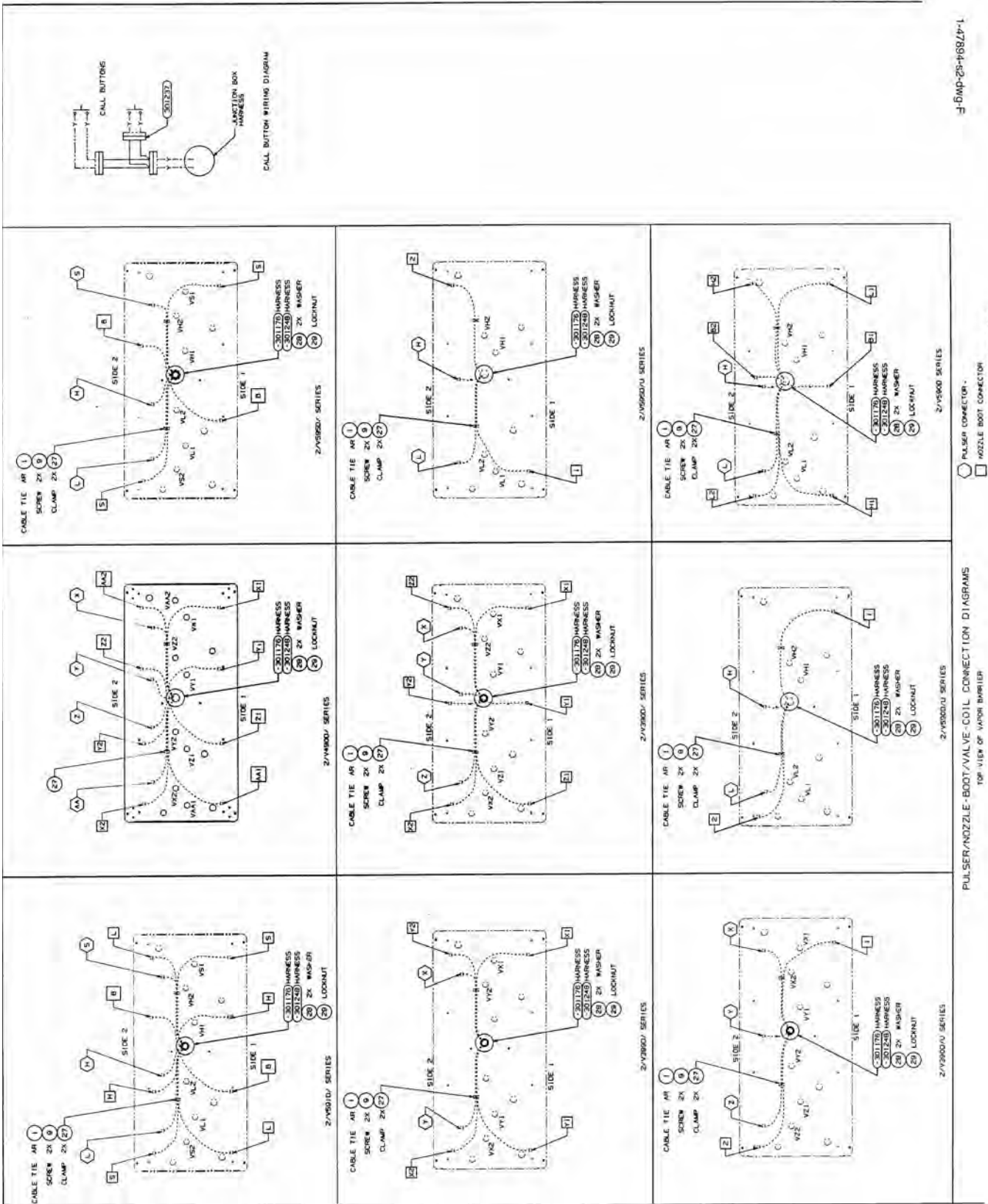
**TABLE 23. 0C6-47820 - NOZZLE BOOT, PUSH TO START, VENTED**

Item No.	Part No.	Qty.	Description
	0C6-047820-		MOD,NOZ BT PTS VENTED
DWG	004-047820-DWG		DWG,NOZ BOOT
1	-916695-	2	TTWA S1/4-20X7/8 UNSLOT
2	-905245-	2	FLAT W1/4 SHAKEPROOF STL
3	-047377-	1	COLLAR - NOZZLE BOOT
4	007-047792-	1	BOOT,NOZZLE,SUCTION (SEE VISTA SHARED ASSY MANUAL PART NO. 920345)

**TABLE 24. 0C7-47820 - NOZZLE BOOT, PUSH TO START, SUCTION**

Item No.	Part No.	Qty.	Description
	0C7-047820-		MOD,NOZ BT PTS SUCTION
DWG	004-047820-DWG		DWG,NOZ BOOT
1	-916695-	2	TTWA S1/4-20X7/8 UNSLOT
2	-905245-	2	FLAT W1/4 SHAKEPROOF STL
3	-047377-	1	COLLAR - NOZZLE BOOT
5	006-047792-	1	BOOT,NOZZLE ASSY P. TO S. (SEE VISTA SHARED ASSY MANUAL PART NO. 920345)





1-47894-S2-DWG-F

FIGURE 24. 1-47894-S2-DWG - ELECTRICAL MODULE, REMOTE DISPENSER

**TABLE 25. 1-47894 - ELECTRICAL MODULE, REMOTE DISPENSERS**

Item No.	Part No.	Qty.	Description
	001-047894-		MOD,ELEC GHM REMOTE
DWG	001-007195-00C		GUIDE,GRAPHICS PLACEMENT (SEE FIGURE 2.)
DWG	001-047894-S1 & S2-DWG		MOD,ELEC REMOTE GHM
1	-513210-		CABLE TIE
7	-507868-	3	HEX MACH SCREW NUT #8-32
8	-916736-	3	LOCK W#8 SHAKEPROOF EXT
9	-918935-	5	SCREW,#8-32X1/4" PP M/S
10	005-126817-	2	WASHER,FLAT
11	-907528-	1	WIRE M#26 8 1/2LONG TAG
12	-001880-00A	1	TAG
13	-512724-	1	LOCK N3/4 NPSL CONDUIT
14	-129710-	1	COUPLING
15	001-301138-	1	CONDUIT,JCT BOX - GHM
16	-916636-	2	WAHH S1/4-20X1/2 BLKROLOK
17	-916877-	1	CUP W#10-H TERMINAL
18	-916591-	1	SLWA S#10-32X3/8 GREEN
19	-039778-	1	JUNCT. BOX COVER DIE CAS.
20	003-916695-	14	H.H TAPTITE SCR. 1/4-20X1
21	-913824-	2	SPLICE CLOSED END
24	003-300825-	1	ASSY,I.S.BOARD&COVER (SEE VISTA SHARED ASSY MANUAL PART NO. 920345)
26	001-921131-	2	SCREW,6-11 X 3/8 PPH
27	003-916743-	2	CLAMP,CABLE
28	003-126817-	2	WASHER - FLAT
29	004-129498-	1	LOCKNUT,CONDUIT
30	-907529-	1	WIRE M#26 12LONG TAG

**TABLE 26. 2-47894 - SPEAKER MODULE, REMOTE DISPENSERS**

Item No.	Part No.	Qty.	Description
	002-047894-		MOD,SPEAKER
DWG	001-047894-S1 & S2-DWG		MOD,ELEC REMOTE GHM
1	-513210-		CABLE TIE
2	-512795-	1	WAHH S#10X3/8 TYPE B
3	-918463-	1	CLAMP - TUBE SUPPORT
4	001-921042-	1	SPEAKER-8 WATT,8 OHM
5	003-913029-		ROLL TAPE 2" X 1/16" DB C
21	-913824-	2	SPLICE CLOSED END
23	001-001902-00A	1	TAG

**TABLE 27. 3-47894 - SPEAKER MODULE W/LIGHT CONDUIT, REMOTE DISPENSERS**

Item No.	Part No.	Qty.	Description
	003-047894-		MOD,SPEAKER W/LIGHT COND.
DWG	001-047894-S1 & S2-DWG		MOD,ELEC REMOTE GHM
1	-513210-		CABLE TIE
2	-512795-	1	WAHH S#10X3/8 TYPE B
3	-918463-	1	CLAMP - TUBE SUPPORT
4	001-921042-	1	SPEAKER-8 WATT,8 OHM
5	003-913029-		ROLL TAPE 2" X 1/16" DB C
6	-907121-	1	BUSHING-END CE-12
21	-913824-	3	SPLICE CLOSED END
22	-001828-00A	1	TAG,LIGHTED VALANCE RDY.
23	001-001902-00A	1	TAG

**TABLE 28. 4-47894 - LIGHT CONDUIT MODULE, REMOTE DISPENSERS**

Item No.	Part No.	Qty.	Description
	004-047894-		MOD,LIGHT CONDUIT
DWG	001-047894-S1 & S2-DWG		MOD,ELEC REMOTE GHM
2	-512795-	1	WAHH S#10X3/8 TYPE B
3	-918463-	1	CLAMP - TUBE SUPPORT
6	-907121-	1	BUSHING-END CE-12
21	-913824-	3	SPLICE CLOSED END
22	-001828-00A	1	TAG,LIGHTED VALANCE RDY.



**TABLE 29. 7-47894 - ELECTRICAL MODULE, SUCTION DISPENSERS**

Item No.	Part No.	Qty.	Description
	007-047894-		MOD,ELEC SUCTION WIDE
DWG	001-007195-00C		GUIDE,GRAPHICS PLACEMENT (SEE FIGURE 2.)
DWG	007-047894-DWG		MOD,ELEC SUCTION WIDE
1	-513210-		CABLE TIE
7	-507868-	3	HEX MACH SCREW NUT #8-32
8	-916736-	3	LOCK W#8 SHAKEPROOF EXT
9	-918935-	7	SCREW,#8-32X1/4" PP M/S
10	005-126817-	2	WASHER,FLAT
11	-907528-	1	WIRE M#26 8 1/2LONG TAG
12	-001880-00A	1	TAG
13	-512724-	1	LOCK N3/4 NPSL CONDUIT
14	-129710-	1	COUPLING
15	001-301138-	1	CONDUIT,JCT BOX - GHM
16	-916636-	2	WAHH S1/4-20X1/2 BLKROLOK
17	-916877-	1	CUP W#10-H TERMINAL
18	-916591-	1	SLWA S#10-32X3/8 GREEN
19	-046539-	1	COVER JUNCTION BOX
20	003-916695-	14	H.H TAPTITE SCR. 1/4-20X1
21	001-301765-	1	PLATE,MOUNTING,MTR&J BOX
22	-507284-	2	HHC S5/16-18X3/4SS ZN G2
23	-509584-	2	HEX N5/16-18HEX FIX ZN
24	-913824-	2	SPLICE CLOSED END
27	001-921131-	2	SCREW,6-11 X 3/8 PPH
28	003-300825-	1	ASSY,I.S.BOARD&COVER (SEE VISTA SHARED ASSY MANUAL PART NO. 920345)
30	-906441-		CONN MIDEAL#73B WIRENUT
31	-902365-		CONN MIDEAL#74B WIRENUT
32	056-200412-06E	1	WIRE 18 GA. ORANGE STR.
33	-907529-	1	WIRE M#26 12LONG TAG
34	003-916743-	2	CLAMP,CABLE
35	003-126817-	2	WASHER - FLAT
36	004-129498-	1	LOCKNUT,CONDUIT

**TABLE 30. 9-47894 - SPEAKER MODULE WITH LIGHT CONDUIT, SUCTION DISPENSERS**

Item No.	Part No.	Qty.	Description
	009-047894-		MOD,SPKR/LIGHT CONDUIT
DWG	007-047894-DWG		MOD,ELEC SUCTION WIDE
1	-513210-		CABLE TIE
2	-512795-	1	WAHH S#10X3/8 TYPE B
3	-918463-	1	CLAMP - TUBE SUPPORT
4	001-921042-	1	SPEAKER-8 WATT,8 OHM
5	003-913029-		ROLL TAPE 2" X 1/16" DB C
6	-907121-	1	BUSHING-END CE-12
24	-913824-	3	SPLICE CLOSED END
25	-001828-00A	1	TAG,LIGHTED VALANCE RDY.
26	001-001902-00A	1	TAG

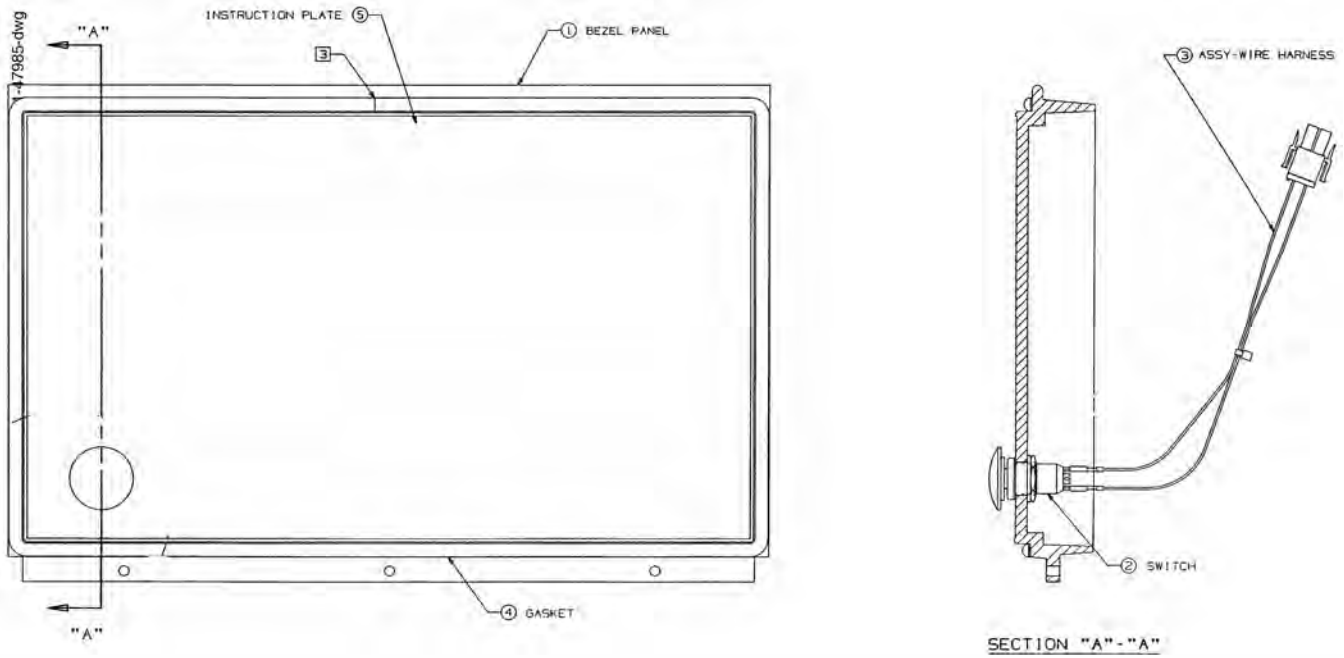


FIGURE 26. 1-47985-DWG - CALL BUTTON PANEL ASSEMBLY

TABLE 31. 47985 - CALL BUTTON PANEL ASSEMBLY

Item No.	Part No.	Qty.	Description
	XXX-047985-		CALL BTN PANEL ASSY
DWG	001-047985-DWG		CALL BTN PANEL ASSY
1	-047475-XXX	1	PANEL,BLANK (SPECIFY COLOR WHEN ORDRING)
2	001-918509-	1	SWITCH - GRAY
2	002-918509-	1	SWITCH - GREEN
3	-201785-	1	ASSY. WIRE HARNESS
4	002-129818-	1	GASKET
5	XXX-039972-	1	DECAL,INSTRUCTION GRAPHIC (SPECIFY MOC WHEN ORDRING)



# Bezel Module

1-47818-dwg

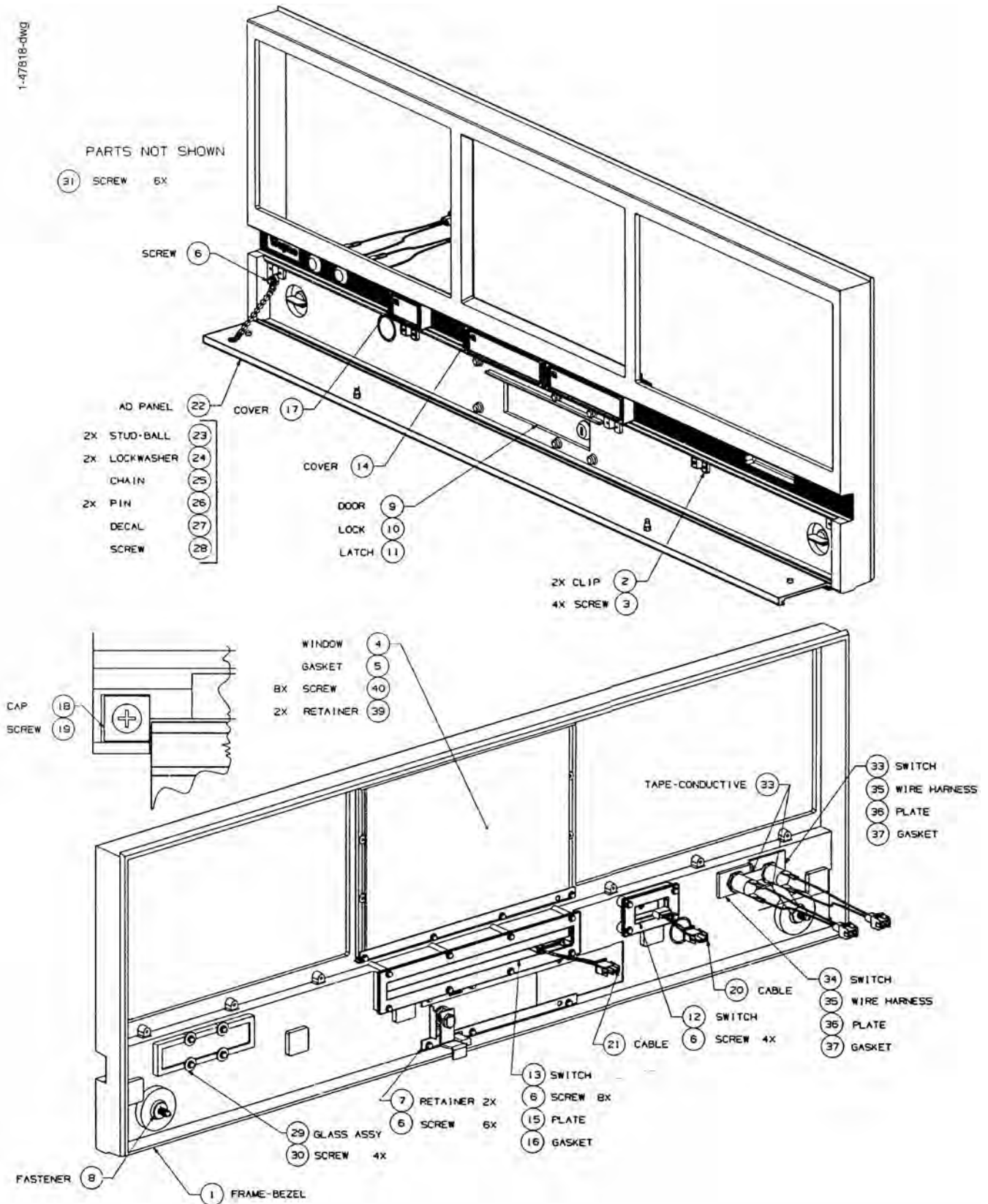


FIGURE 27. 1-47818-DWG - BEZEL MODULE, PUSH TO START

TABLE 32. 47818 - BEZEL MODULE 2/V390, LIFT TO START

Item No.	Part No.	Qty.	Description
	003-047818-J21		MOD,BEZ N/SW W/T G (3-47818-J21 LISTED) (SEE FIGURE 3.)
DWG	001-047818-DWG		DWG,MOD,BEZEL
1	009-045425-J21	1	FRAME,BEZEL (BLACK W/T)
	002-045425-J21	1	FRAME,BEZEL (BLACK W/N T)
2	-918470-	2	FASTENER - CLIP
3	-916847-	4	WAHH S#6-5/16 WAX T/A CD
4	-300777-	1	GLASS,TEMPERED
5	001-129818-	1	GASKET
6	-916545-	15	PLWA S#8-3/8LOCK RIBS T30
7	-129809-	2	RETAINER - DOOR
8	-918391-	2	ASSY. FASTN. CAPTIVE SCR.
9	-201737-	1	DOOR - FUNCTION SWITCHES
10	-127417-	1	LOCK
11	002-129805-	1	LATCH - DOOR
15	-201722-J21	1	PLATE,SWITCH OPENING
16	880616-001	1	GASKET - SWITCH ASSY.
18	-129811-	2	CAP - HINGE RETAINER
19	-918198-	2	PHFH S8X1/2GIMLET PT BLK
22	001-300156-J21	1	ASSY. RETAINER AD. PANEL
29	001-201928-	1	GASKET AND GLASS,ASSY
30	-918933-	4	SCREW,#8-10X3/8 H.W.HD
31	-916546-	6	PLWA S#8X5/8LOCK RIBS T30
39	-201915-	2	RETAINER,BEZEL GLASS
40	-916760-	8	WAHH S#8X1/2 T/A WAX CD

**TABLE 33. 47818 - BEZEL MODULE 2/V490, LIFT TO START**

Item No.	Part No.	Qty.	Description
	016-047818-J21		MOD,BEZ N/SW G D
DWG	-007184-00C		INSTRUCTION DRAWING (SEE FIGURE 3.)
DWG	001-047818-DWG		DWG,MOD,BEZEL
1	006-045425-J21	1	FRAME,BEZEL N/SW G D
1	019-045425-J21	1	FRAME,BEZEL N/SW W/TGD
2	-918470-	2	FASTENER - CLIP
3	-916847-	4	WAHH S#6-5/16 WAX T/A CD
4	-300777-	1	GLASS,TEMPERED
5	001-129818-	1	GASKET
6	-916545-	15	PLWA S#8-3/8LOCK RIBS T30
7	-129809-	2	RETAINER - DOOR
8	-918391-	2	ASSY. FASTN. CAPTIVE SCR.
9	-201737-	1	DOOR - FUNCTION SWITCHES
10	-127417-	1	LOCK
11	002-129805-	1	LATCH - DOOR
15	-201722-J21	1	PLATE,SWITCH OPENING
16	880616-001	1	GASKET - SWITCH ASSY.
18	-129811-	2	CAP - HINGE RETAINER
19	-918198-	2	PHFH S8X1/2GIMLET PT BLK
22	001-300156-J21	1	ASSY. RETAINER AD. PANEL
29	001-201928-	1	GASKET AND GLASS,ASSY
31	-916546-	6	PLWA S#8X5/8LOCK RIBS T30
39	-201915-	2	RETAINER,BEZEL GLASS
40	-916760-	8	WAHH S#8X1/2 T/A WAX CD
41	882859-001	1	GROUND STRAP,BEZEL

**TABLE 34. 47818 - BEZEL MODULE 2/V590, PUSH TO START**

Item No.	Part No.	Qty.	Description
	007-047818-F80		MOD,BEZ 3 SW W/T G
DWG	-007184-00C		INSTRUCTION DRAWING (SEE FIGURE 3.)
DWG	001-047818-DWG		DWG,MOD,BEZEL
1	002-045425-J21	1	FRAME,BEZEL 3 SW G
	006-045425-J21	1	FRAME,BEZEL N/SW G D
	006-045425-A32	1	FRAME,BEZEL 3 SW G D
	009-045425-J21	1	FRAME,BEZEL 3 SW W/T G
	015-045425-J21	1	FRAME,BEZEL N/SW W/T G D
	015-045425-0A6	1	FRAME,BEZEL 3 SW W/T G D
	015-045425-J21	1	FRAME,BEZEL 2 SW W/T G D
2	-918470-	2	FASTENER - CLIP
3	-916847-	4	WAHH S#6-5/16 WAX T/A CD
4	-300777-	1	GLASS,TEMPERED
5	001-129818-	1	GASKET
6	-916545-	15	PLWA S#8-3/8LOCK RIBS T30
7	-129809-	2	RETAINER - DOOR
8	-918391-	2	ASSY. FASTN. CAPTIVE SCR.
9	-201737-	1	DOOR - FUNCTION SWITCHES
10	-127417-	1	LOCK
11	002-129805-	1	LATCH - DOOR
13	003-047561-	1	ASSY. SWITCH
	002-047561-	1	ASSY. SWITCH 2 SW W/T G D
14	003-300268-J21	1	COVER, SWITCH
	002-300268-J21	1	COVER, SWITCH 2 SW W/T G D
15	-201722-J21	1	PLATE,SWITCH OPENING N/SW W/T G D
16	880616-001	1	GASKET - SWITCH ASSY. N/SW W/T G D
18	-129811-	2	CAP - HINGE RETAINER
19	-918198-	2	PHFH S8X1/2GIMLET PT BLK
22	001-300156-J21	1	ASSY. RETAINER AD. PANEL
29	001-201928-	1	GASKET AND GLASS,ASSY
30	-918933-	4	SCREW,#8-10X3/8 H.W.HD
31	-916546-	6	PLWA S#8X5/8LOCK RIBS T30
39	-201915-	2	RETAINER,BEZEL GLASS
40	-916760-	8	WAHH S#8X1/2 T/A WAX CD
41	882859-001	1	GROUND STRAP,BEZEL

**TABLE 35. 47822 - BEZEL MODULE 2/V390, PUSH TO START**

Item No.	Part No.	Qty.	Description
	005-047822-J21		MOD,BEZ 3SW,W/T,GD V390/U (5-47822-J21 LISTED) (SEE FIGURE 3.)
DWG	001-047818-DWG		DWG,MOD,BEZEL
1	015-045425-J21	1	FRAME,BEZEL (BLACK 3SW,W/T,GD V390/U)
	006-045425-J21	1	FRAME,BEZEL (BLACK 3SW,GD)
	002-045425-J21	1	FRAME,BEZEL (BLACK BLANK)
	014-045425-J21	1	FRAME,BEZEL (BLACK N/SW W/TGDP)
	005-045425-J21	1	FRAME,BEZEL (BLACK N/SW W/GDP)
2	-918470-	2	FASTENER - CLIP
3	-916847-	4	WAHH S#6-5/16 WAX T/A CD
4	-300777-	1	GLASS,TEMPERED
5	001-129818-	1	GASKET
6	-916545-	15	PLWA S#8-3/8LOCK RIBS T30
7	-129809-	2	RETAINER - DOOR
8	-918391-	2	ASSY. FASTN. CAPTIVE SCR.
9	-201737-	1	DOOR - FUNCTION SWITCHES
10	-127417-	1	LOCK
11	002-129805-	1	LATCH - DOOR
13	003-047561-	1	ASSY. SWITCH
14	003-300268-J21	1	COVER, SWITCH
18	-129811-	2	CAP - HINGE RETAINER
19	-918198-	2	PHFH S8X1/2GIMLET PT BLK
22	006-300156-J21	1	RETAINER,ASSY AD PANEL
29	001-201928-	1	GASKET AND GLASS,ASSY
30	-918933-	4	SCREW,#8-10X3/8 H.W.HD
31	-916546-	14	PLWA S#8X5/8LOCK RIBS T30
39	-201915-	2	RETAINER,BEZEL GLASS
40	-916760-	8	WAHH S#8X1/2 T/A WAX CD

TABLE 36. 47822 - BEZEL MODULE 2/V590, PUSH TO START

Item No.	Part No.	Qty.	Description
	005-047822-J21		MOD,BEZ 3SW,W/T,GD V390/U
DWG	-007184-00C		INSTRUCTION DRAWING (SEE FIGURE 3.)
DWG	001-047818-DWG		DWG,MOD,BEZEL
1	002-045425-J21	1	FRAME,BEZEL <b>BLANK</b>
	015-045425-J21	1	FRAME,BEZEL <b>3 SW W/T G D</b>
	006-045425-J21	1	FRAME,BEZEL <b>3 SW G D</b>
2	-918470-	2	FASTENER - CLIP
3	-916847-	4	WAHH S#6-5/16 WAX T/A CD
4	-300777-	1	GLASS,TEMPERED
	-039986-J21	1	PLATE - DISPLAY <b>BLANK</b>
5	001-129818-	1	GASKET
6	-916545-	15	PLWA S#8-3/8LOCK RIBS T30
7	-129809-	2	RETAINER - DOOR
8	-918391-	2	ASSY. FASTN. CAPTIVE SCR.
9	-201737-	1	DOOR - FUNCTION SWITCHES
10	-127417-	1	LOCK
11	002-129805-	1	LATCH - DOOR
13	003-047561-	1	ASSY. SWITCH
14	003-300268-J21	1	COVER, SWITCH
15	-201722-J21	1	PLATE,SWITCH OPENING <b>BLANK</b>
16	880616-001	1	GASKET - SWITCH ASSY. <b>BLANK</b>
18	-129811-	2	CAP - HINGE RETAINER
19	-918198-	2	PHFH S8X1/2GIMLET PT BLK
22	006-300156-J21	1	RETAINER,ASSY AD PANEL
22	003-300156-J21	1	ASSY. RETAINER AD. PANEL <b>BLANK</b>
29	001-201928-	1	GASKET AND GLASS,ASSY
30	-918933-	4	SCREW,#8-10X3/8 H.W.HD
31	-916546-	14	PLWA S#8X5/8LOCK RIBS T30
39	-201915-	2	RETAINER,BEZEL GLASS
41	882859-001	1	GROUND STRAP,BEZEL

TABLE 37. 47818 - BEZEL MODULE 2/V585, PUSH TO START

Item No.	Part No.	Qty.	Description
	001-047818-J21		MOD,BEZEL 5 SW W/T G
DWG	-007184-00C		INSTRUCTION DRAWING (SEE FIGURE 3.)
DWG	001-047818-DWG		DWG,MOD,BEZEL
1	015-045425-J21	1	FRAME,BEZEL <b>5 SW W/T G D</b>
	009-045425-J21	1	FRAME,BEZEL <b>5 SW W/T G</b>
	002-045425-J21	1	FRAME,BEZEL <b>BLANK</b>
	006-045425-B39	1	BEZEL,FRAME <b>3+1 SW W/GD</b>
2	-918470-	2	FASTENER - CLIP
3	-916847-	4	WAHH S#6-5/16 WAX T/A CD
4	-300777-	1	GLASS,TEMPERED
	-039986-J21	1	PLATE - DISPLAY <b>BLANK</b>
5	001-129818-	1	GASKET
6	-916545-	15	PLWA S#8-3/8LOCK RIBS T30
7	-129809-	2	RETAINER - DOOR
8	-918391-	2	ASSY. FASTN. CAPTIVE SCR.
9	-201737-	1	DOOR - FUNCTION SWITCHES
10	-127417-	1	LOCK
11	002-129805-	1	LATCH - DOOR
13	004-047561-	1	ASSY. SWITCH
14	004-300268-J21	1	COVER, SWITCH
	005-300268-J21	1	COVER,SWITCH <b>3+1 SW W/GD</b>
15	-201722-J21	1	PLATE,SWITCH OPENING
16	880616-001	1	GASKET - SWITCH ASSY.
18	-129811-	2	CAP - HINGE RETAINER
19	-918198-	2	PHFH S8X1/2GIMLET PT BLK
22	001-300156-J21	1	ASSY. RETAINER AD. PANEL
29	001-201928-	1	GASKET AND GLASS,ASSY
30	-918933-	4	SCREW,#8-10X3/8 H.W.HD
31	-916546-	6	PLWA S#8X5/8LOCK RIBS T30
39	-201915-	2	RETAINER,BEZEL GLASS
40	-916760-	8	WAHH S#8X1/2 T/A WAX CD
41	882859-001	1	GROUND STRAP,BEZEL



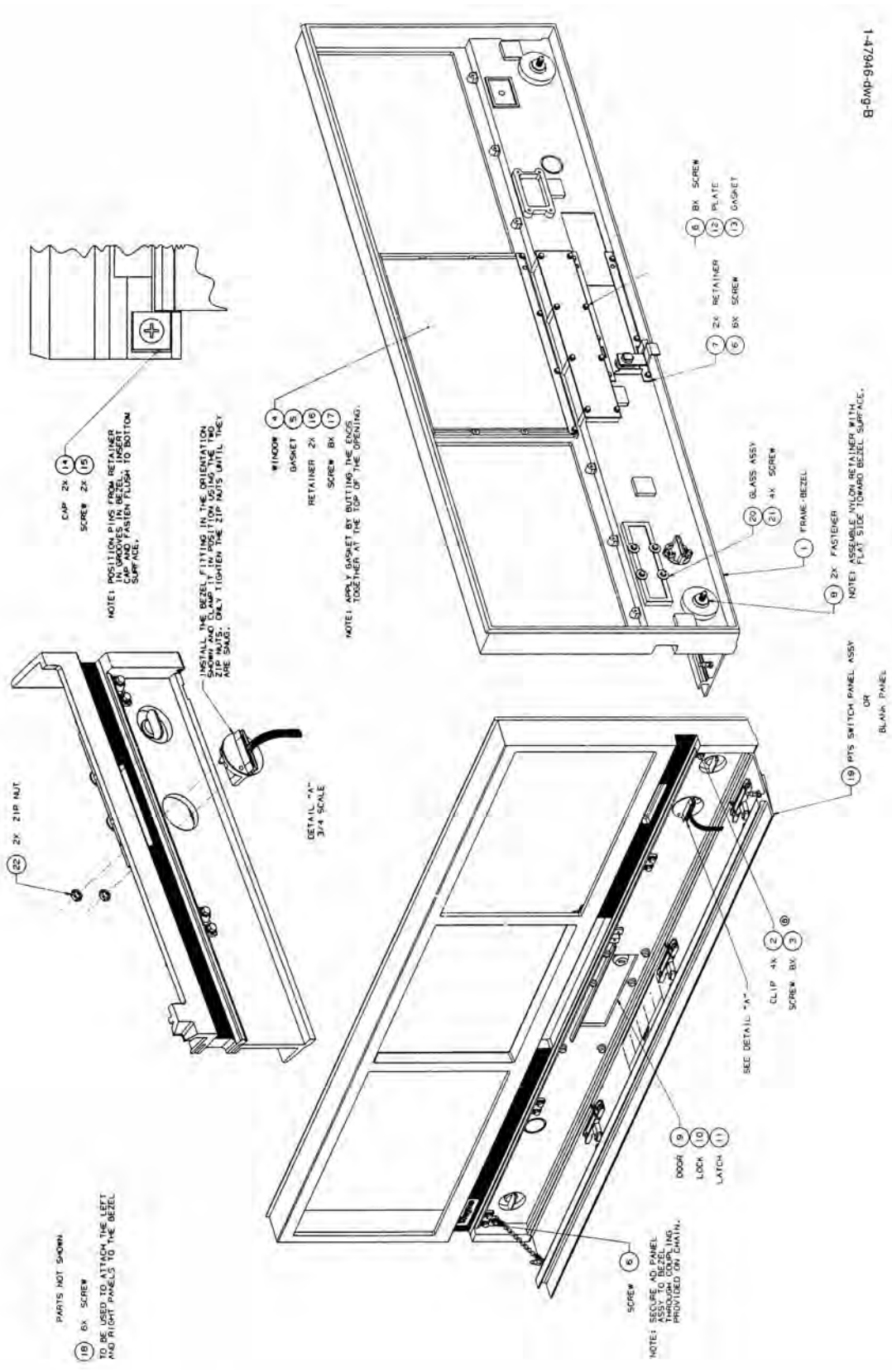


FIGURE 28. 1-47946-DWG - BEZEL MODULE

**TABLE 38. 47946 - BEZEL MODULE 2/V390 AND 2/V590, PUSH TO START**

Item No.	Part No.	Qty.	Description
	003-047946-F80		MOD,BEZ 3/SW W/TGD
DWG	-007184-00C		INSTRUCTION DRAWING (SEE FIGURE 3.)
DWG	001-047946-DWG		MOD,BEZ ASSY
1	028-045425-F80	1	BEZEL,FRAME (GREY, 3/SW W/TGD)
	030-045425-F80	1	BEZEL,FRAME (GREY, 3/SW W/GD)
2	-918470-	4	FASTENER - CLIP
3	-916847-	8	WAHH S#6-5/16 WAX T/A CD
4	-300777-	1	GLASS,TEMPERED
5	001-129818-	1	GASKET
6	-916545-	15	PLWA S#8-3/8LOCK RIBS T30
7	-129809-	2	RETAINER - DOOR
8	-918391-	2	ASSY. FASTN. CAPTIVE SCR.
9	-201737-	1	DOOR - FUNCTION SWITCHES
10	-127417-	1	LOCK
11	002-129805-	1	LATCH - DOOR
12	-201722-F80	1	PLATE,SWITCH OPENING
13	880616-001	1	GASKET - SWITCH ASSY.
14	-129811-	2	CAP - HINGE RETAINER
15	-918198-	2	PHFH S8X1/2GIMLET PT BLK
16	-201915-	2	RETAINER,BEZEL GLASS
17	-916760-	8	WAHH S#8X1/2 T/A WAX CD
18	-916546-	6	PLWA S#8X5/8LOCK RIBS T30
19	002-301187-F80	1	PANEL,SWITCH ASSY,3SW 390
20	001-201928-	1	GASKET AND GLASS,ASSY
21	-918933-	4	SCREW,#8-10X3/8 H.W.HD
22	001-921174-	2	UT,ZIP TWIST, .188 STUD

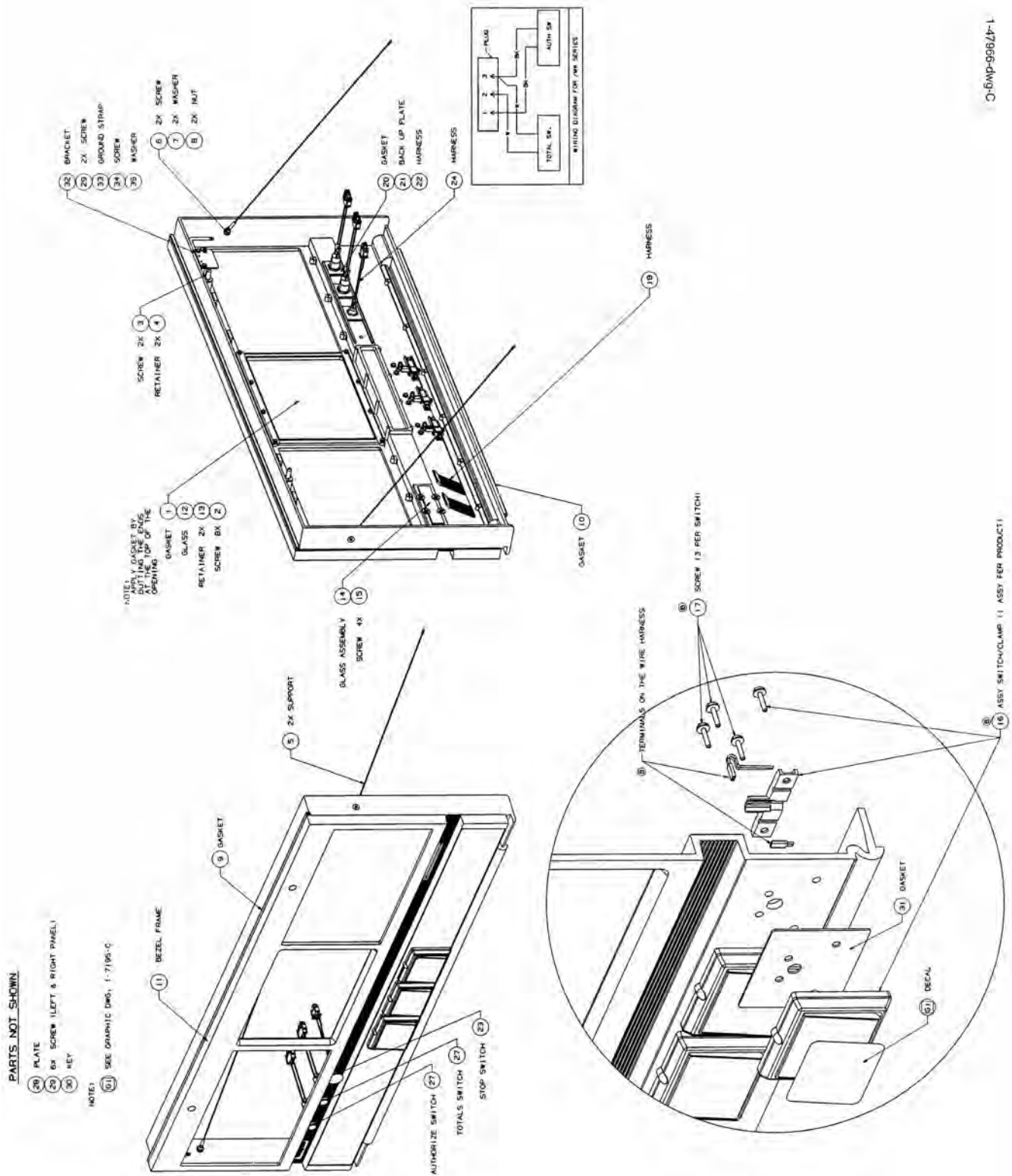


FIGURE 29. 1-47966-DWG - BEZEL MODULE

**TABLE 39. 47966 - BEZEL MODULE 2/V390 AND 2/V590, PUSH TO START BUTTONS**

Item No.	Part No.	Qty.	Description
DWG	001-047966-DWG		MOD,BEZEL ASSY.
DWG	-007184-00C		INSTRUCTION DRAWING (SEE FIGURE 3.)
1	001-129818-	1	GASKET
2	-916760-	8	WAHH S#8X1/2 T/A WAX CD
3	001-202021-	2	SCREW,QUICK RELEASE
4	001-301675-	2	RETAINER,QUICK RELEASE
5	001-202011-	2	SUPPORT,BEZEL
6	001-921445-	2	SCREW,1/4-20X1/2 FHHSC
7	-905245-	2	FLAT W1/4 SHAKEPROOF STL
8	-507827-	2	HEX N1/4-20 ZN DBL CHAMF
9	002-129830-	1	GASKET
10	008-129830-	1	GASKET
11	001-045578-0A6	1	FRAME,BEZ (SILVER, N/SW W/G)
	001-045578-J21	1	FRAME,BEZ (BLACK, N/SW W/G)
	001-045578-0A6	1	FRAME,BEZ (SILVER, N/SW W/G)
	001-045578-A32	1	FRAME,BEZ (GRAY, N/SW W/G)
	001-045578-B39	1	FRAME,BEZEL (BLUE, N/SW W/G)
	002-045578-J21	1	FRAME,BEZ (BLACK, N/SW W/TG)
	002-045578-J21	1	FRAME,BEZ (BLACK, N/SW W/TG)
	002-045578-B39	1	FRAME,BEZ (BLUE, N/SW W/TG)
	003-045578-J21	1	FRAME,BEZ (BLACK, 3/SW W/G0)
	003-045578-A32	1	FRAME,BEZ (GRAY, 3/SW W/G)
	003-045578-B39	1	FRAME,BEZ (BLUE, 3/SW W/G)
	004-045578-J21	1	FRAME,BEZ (BLACK, 3/SW W/TG)
	004-045578-A32	1	FRAME,BEZ (GRAY, 3/SW W/TG)
	004-045578-B39	1	FRAME,BEZ (BLUE, 3/SW W/TG)
	005-045578-F80	1	FRAME,BEZ (GRAY, 3/SW W/G)
	006-045578-0A6	1	FRAME,BEZ (SILVER, 3/SW W/TG)
	006-045578-F80	1	FRAME,BEZ (GRAY, 3/SW W/TG)
	041-045578-J21	1	FRAME,BEZ (BLACK, 3/SW W/TPG0)
042-045578-J21	1	FRAME,BEZ (BLACK, 3/SW W/PG)	
154-045578-0A6	1	FRAME,BEZEL (SILVER, N/SW W/PG)	
153-045578-0A6	1	FRAME,BEZEL (SLIVER, N/SW W/TPG0)	
12	-300777-	1	GLASS,TEMPERED
13	-201915-	2	RETAINER,BEZEL GLASS
14	001-201928-	1	GASKET AND GLASS,ASSY
15	-918933-	4	SCREW,#8-10X3/8 H.W.HD
16	001-301752-J21	3	SWITCH/CLAMP ASSY 2H (BLACK)
17	003-918104-	9	SCREW,PLAWA #10X5/8 PLAS.
18	001-301685-HRN	1	CABLE,ASSY 3 SW 390U&590U
23	003-918509-	1	SWITCH, BUTTON - RED
24	-201785-	1	ASSY. WIRE HARNESS
28	-039986-0A6	1	PLATE,DISPLAY (SILVER)
	-039986-J21	1	PLATE - DISPLAY (BLACK)
	-039986-A32	1	DISPLAY PLATE (GRAY)
29	-916546-	6	PLWA S#8X5/8LOCK RIBS T30
30	001-202022-	1	KEY
31	001-202025-	3	GASKET,PTS SWITCH
32	001-301821-	1	BRACKET,MGT GRND,HINGE,BZ
33	001-301823-	1	STRAP,GROUND BEZEL
34	002-916607-	1	TTWA S#8-32X3/8 WAX CD
35	-513653-	1	FLAT W#8 .17X3/8X.040 ZN

TABLE 40. 47966 - BEZEL MODULE 2/V490, LIFT TO START

Item No.	Part No.	Qty.	Description
	WBR-200100-J21		MOD,BEZ N SW W/G
DWG	-007184-00C		INSTRUCTION DRAWING (SEE FIGURE 3.)
DWG	001-047966-DWG		MOD,BEZEL ASSY.
1	001-129818-	1	GASKET
2	-916760-	8	WAHH S#8X1/2 T/A WAX CD
3	001-202021-	2	SCREW,QUICK RELEASE
4	001-301675-	2	RETAINER,QUICK RELEASE
5	001-202011-	2	SUPPORT,BEZEL
6	001-921445-	2	SCREW,1/4-20X1/2 FHHSC
7	-905245-	2	FLAT W1/4 SHAKEPROOF STL
8	-507827-	2	HEX N1/4-20 ZN DBL CHAMF
9	002-129830-	1	GASKET
10	008-129830-	1	GASKET
11	001-045578-J21	1	FRAME,BEZ N/SW W/G
	002-045578-J21	1	FRAME,BEZ N/SW W/TG
12	-300777-	1	GLASS,TEMPERED
13	-201915-	2	RETAINER,BEZEL GLASS
14	001-201928-	1	GASKET AND GLASS,ASSY
15	-918933-	4	SCREW,#8-10X3/8 H.W.HD
29	-916546-	6	PLWA S#8X5/8LOCK RIBS T30
30	001-202022-	1	KEY
32	001-301821-	1	BRACKET,MGT GRND,HINGE,BZ
33	001-301823-	1	STRAP,GROUND BEZEL
34	002-916607-	1	TTWA S#8-32X3/8 WAX CD
35	-513653-	1	FLAT W#8 .17X3/8X.040 ZN

**TABLE 41. 47966 - BEZEL MODULE 2/V595, PUSH TO START BUTTONS**

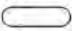

Item No.	Part No.	Qty.	Description
	WBR-108100-J21		MOD,BEZ 4+1 SW W/G
DWG	-007184-00C		INSTRUCTION DRAWING (SEE FIGURE 3.)
DWG	001-047966-DWG		MOD,BEZEL ASSY.
1	001-129818-	1	GASKET
2	-916760-	8	WAHH S#8X1/2 T/A WAX CD
3	001-202021-	2	SCREW,QUICK RELEASE
4	001-301675-	2	RETAINER,QUICK RELEASE
5	001-202011-	2	SUPPORT,BEZEL
6	001-921445-	2	SCREW,1/4-20X1/2 FHHSC
7	-905245-	2	FLAT W1/4 SHAKEPROOF STL
8	-507827-	2	HEX N1/4-20 ZN DBL CHAMF
9	002-129830-	1	GASKET
10	008-129830-	1	GASKET
11	017-045578-J21	1	FRAME,BEZ 4+1/SW W/G
	018-045578-J21	1	FRAME,BEZ 4+1/SW W/TG
	011-045578-A32	1	FRAME,BEZ 3+1/SW W/G
	012-045578-A32	1	FRAME,BEZ 3+1/SW W/TG
	001-045578-J21	1	FRAME,BEZ N/SW W/G
	007-045578-J21	1	FRAME,BEZ 4/SW W/G
	008-045578-J21	1	FRAME,BEZ 4/SW W/TG
	098-045578-J21	1	FRAME,BEZEL 3+1/SW W/PG
	097-045578-J21	1	FRAME,BEZEL 3+1/SW W/TPG
	015-045578-J21	1	FRAME,BEZ 5/SW W/G
	016-045578-J21	1	FRAME,BEZ 5/SW W/TG
12	-300777-	1	GLASS,TEMPERED
13	-201915-	2	RETAINER,BEZEL GLASS
14	001-201928-	1	GASKET AND GLASS,ASSY
15	-918933-	4	SCREW,#8-10X3/8 H.W.HD
16	001-301752-J21	5	SWITCH/CLAMP ASSY 2H
17	003-918104-	15	SCREW,PLAWA #10X5/8 PLAS.
18	001-301677-HRN	1	CABLE,ASSY 4+1 SW 395
29	-916546-	6	PLWA S#8X5/8LOCK RIBS T30
30	001-202022-	1	KEY
31	001-202025-	5	GASKET,PTS SWITCH
32	001-301821-	1	BRACKET,MGT GRND,HINGE,BZ
33	001-301823-	1	STRAP,GROUND BEZEL
34	002-916607-	1	TTWA S#8-32X3/8 WAX CD
35	-513653-	1	FLAT W#8 .17X3/8X.040 ZN

**TABLE 42. 47966 - BEZEL MODULE 2/V591, PUSH TO START BUTTONS**

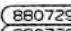
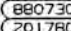
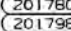
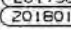

Item No.	Part No.	Qty.	Description
	WBR-206500-F80		MOD,BEZ 4 SW W/G
DWG	-007184-00C		INSTRUCTION DRAWING (SEE FIGURE 3.)
DWG	001-047966-DWG		MOD,BEZEL ASSY.
1	001-129818-	1	GASKET
2	-916760-	8	WAHH S#8X1/2 T/A WAX CD
3	001-202021-	2	SCREW,QUICK RELEASE
4	001-301675-	2	RETAINER,QUICK RELEASE
5	001-202011-	2	SUPPORT,BEZEL
6	001-921445-	2	SCREW,1/4-20X1/2 FHHSC
7	-905245-	2	FLAT W1/4 SHAKEPROOF STL
8	-507827-	2	HEX N1/4-20 ZN DBL CHAMF
9	002-129830-	1	GASKET
10	008-129830-	1	GASKET
11	009-045578-F80	1	FRAME,BEZ 4/SW W/G
	010-045578-F80	1	FRAME,BEZ 4/SW W/TG
12	-300777-	1	GLASS,TEMPERED
13	-201915-	2	RETAINER,BEZEL GLASS
16	001-301751-F80	4	SWITCH/CLAMP ASSY 2H
17	003-918104-	12	SCREW,PLAWA #10X5/8 PLAS.
18	002-301702-HRN	1	CABLE,ASSY 4 SW 591 OFFS.
29	-916546-	6	PLWA S#8X5/8LOCK RIBS T30
31	001-202025-	4	GASKET,PTS SWITCH
32	001-301821-	1	BRACKET,MGT GRND,HINGE,BZ
33	001-301823-	1	STRAP,GROUND BEZEL
34	002-916607-	1	TTWA S#8-32X3/8 WAX CD
35	-513653-	1	FLAT W#8 .17X3/8X.040 ZN




NOTES:

-  SEE TEST CARD BILL OF MATERIAL FOR USAGE.
-  SEE GRAPHICS DWG 1-7195-C

INSTALL CABLES PER Z-7142-C WIRING DIAGRAM

-  860729 ASSY CABLE
-  860730 ASSY CABLE (1 PER 2 SIDED DISPENSER)
-  201780 DECAL - KEY PAD
-  201798 DECAL - DISPLAY
-  201801 DECAL - INSTRUCTIONS

PARTS NOT SHOWN

-  POWER WIRE HARNESS

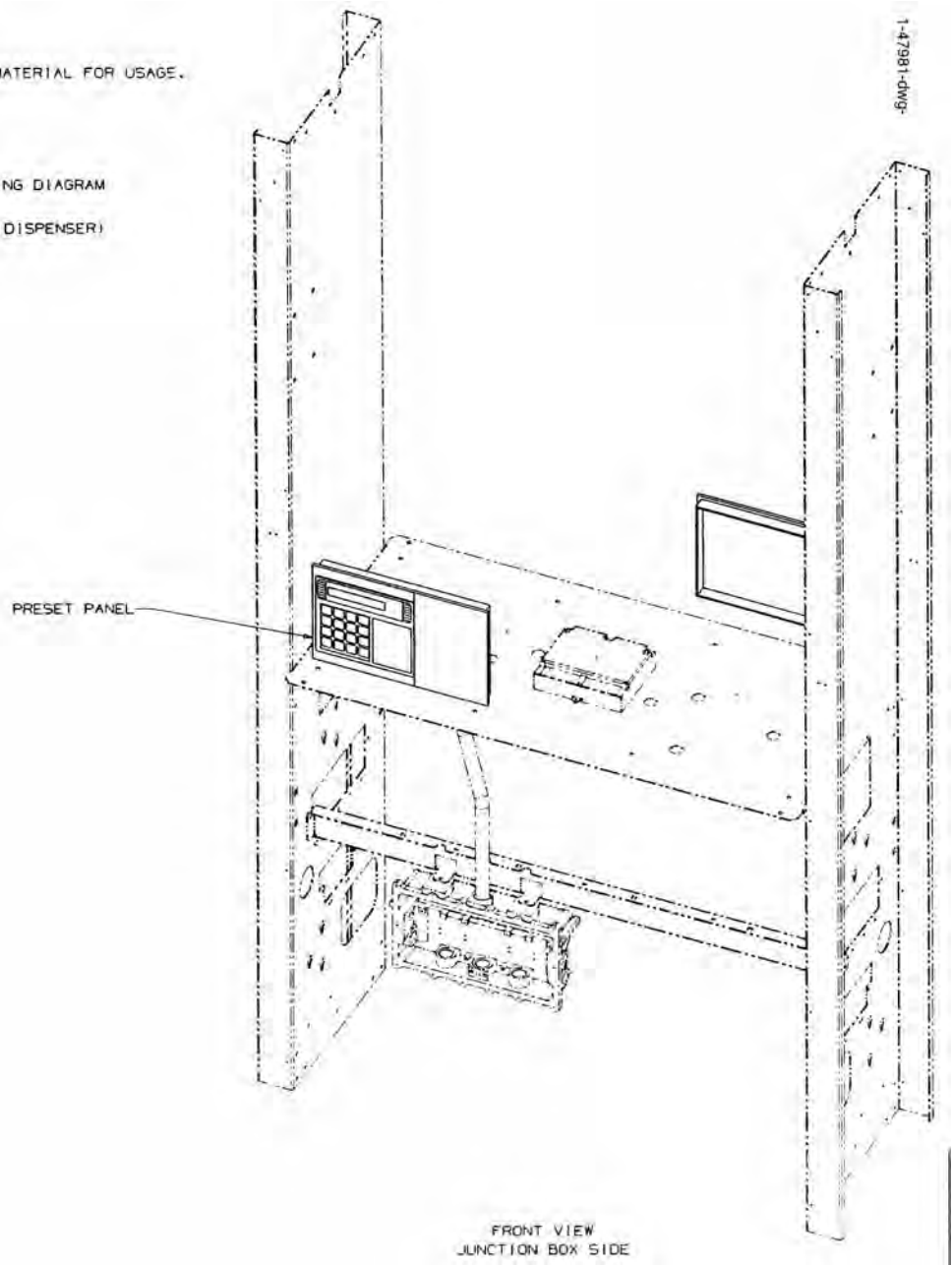


FIGURE 30. 1-47981-DWG - PRESET MODULE

**TABLE 43. 1-47981 - PRESET MODULE**

<b>Item No.</b>	<b>Part No.</b>	<b>Qty.</b>	<b>Description</b>
	001-047981-		MOD,PRESET
	002-007142-00C		WIRING DIA,PRESET-GHM
DWG	001-007195-00C		GUIDE,GRAPHICS PLACEMENT ( <b>SEE FIGURE 2.</b> )
DWG	001-047981-DWG		MOD,PRESET
	001-301269-HRN	1	HARN,WRG,PRESET PWR JMPT

1-47982-dwg

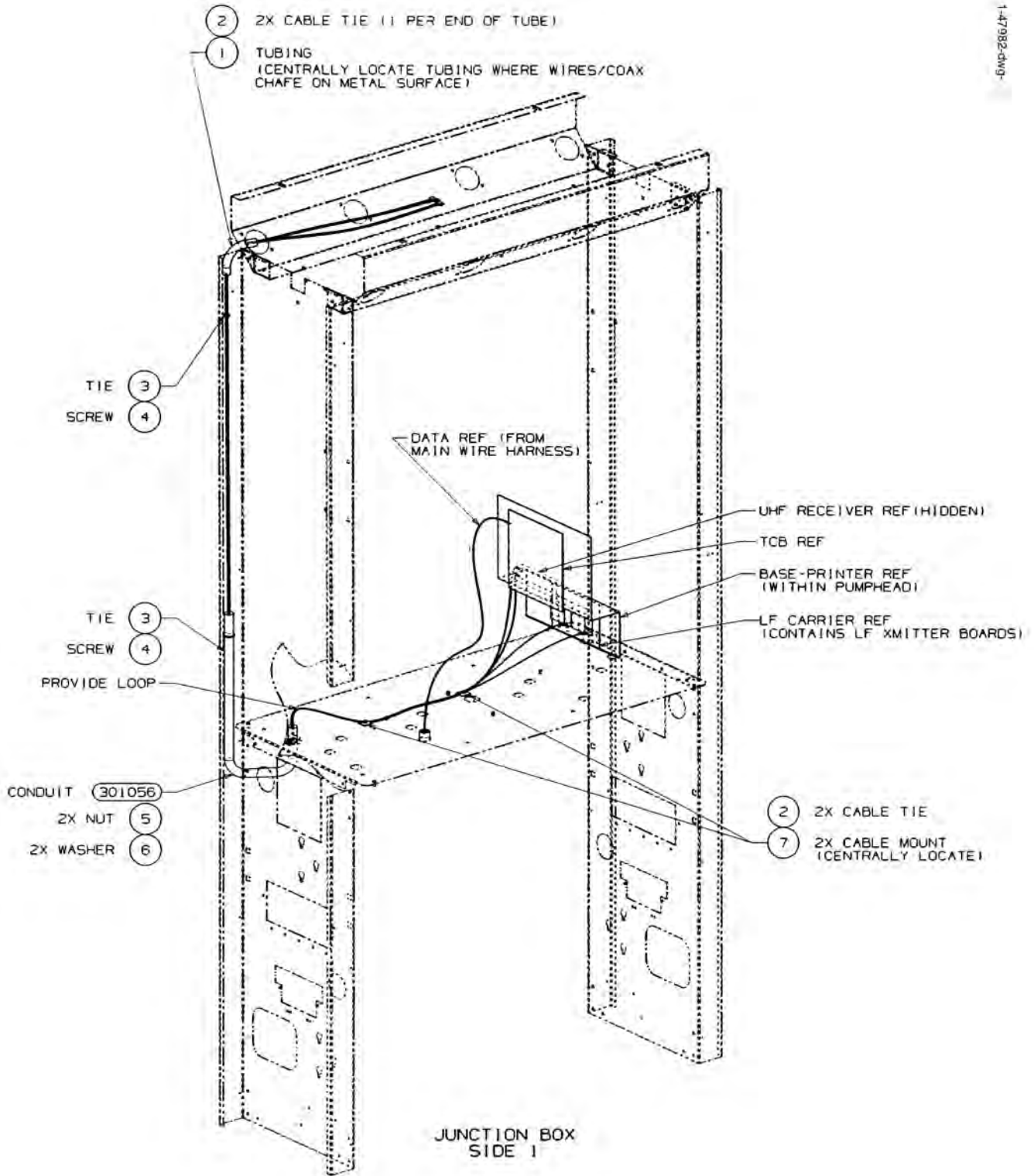


FIGURE 31. 1-47982-DWG - WAYNE TRAC MODULE

**TABLE 44. 1-47982 - WAYNE TRAC MODULE**

Item No.	Part No.	Qty.	Description
	001-047982-		MOD,WAYNE TRAC
	886069-001		CID II DISP,WIRING DIAG.
DWG	001-047982-DWG		MOD,WAYNE TRAC
1	001-301184-	1	TUBING,SPLIT,CONVOLUTED
2	-513210-	4	CABLE TIE
3	-916728-	2	TIE, WRAP-IT
4	-512795-	2	WAHH S#10X3/8 TYPE B
5	-129498-	2	LOCK N1/2 CONDUIT
6	-127817-	2	DISC-VALVE
7	-918066-	2	MOUNTING CLAMP
8	004-514030-	2	PLUG

**TABLE 45. WAYNE TRAC PRODUCTION ANTENNA**

Item No.	Part No.	Qty.	Description
	001-921083-KIT		WAYNE, TRAC PROD,ANTENNA
NO DWG	001-006619-00D	1	INSTALL,ANTENNA W/TRAC
	001-047906-J21	2	BRACKET,ANTENNA W/TRAC,DS <b>DUAL SIDED</b>
	002-047906-J21	1	BRACKET,ANTENNA,W/TRAC,SS <b>SINGLE SIDED</b>
	003-047906-J21	1	BRACKET,ANTENNA,W/TRAC,SS <b>SINGLE SIDED</b>
	002-129984-	2	CONDUIT,FLEXIBLE
	001-301048-J21	2	ASSY ANTENNA
	-507827-	8	HEX N1/4-20 ZN DBL CHAMF
	002-513814-		POLY BAG 5 X 8 ZIP LOC
	-918832-	8	SCREW,HEX HD CAP 1/4-20 X
	002-921056-	2	ELBOW,PVC 1", 90 DEG.
	001-921062-	2	CLAMP,HOSE 1-1/2 S.S.

1-47967-DWG-E

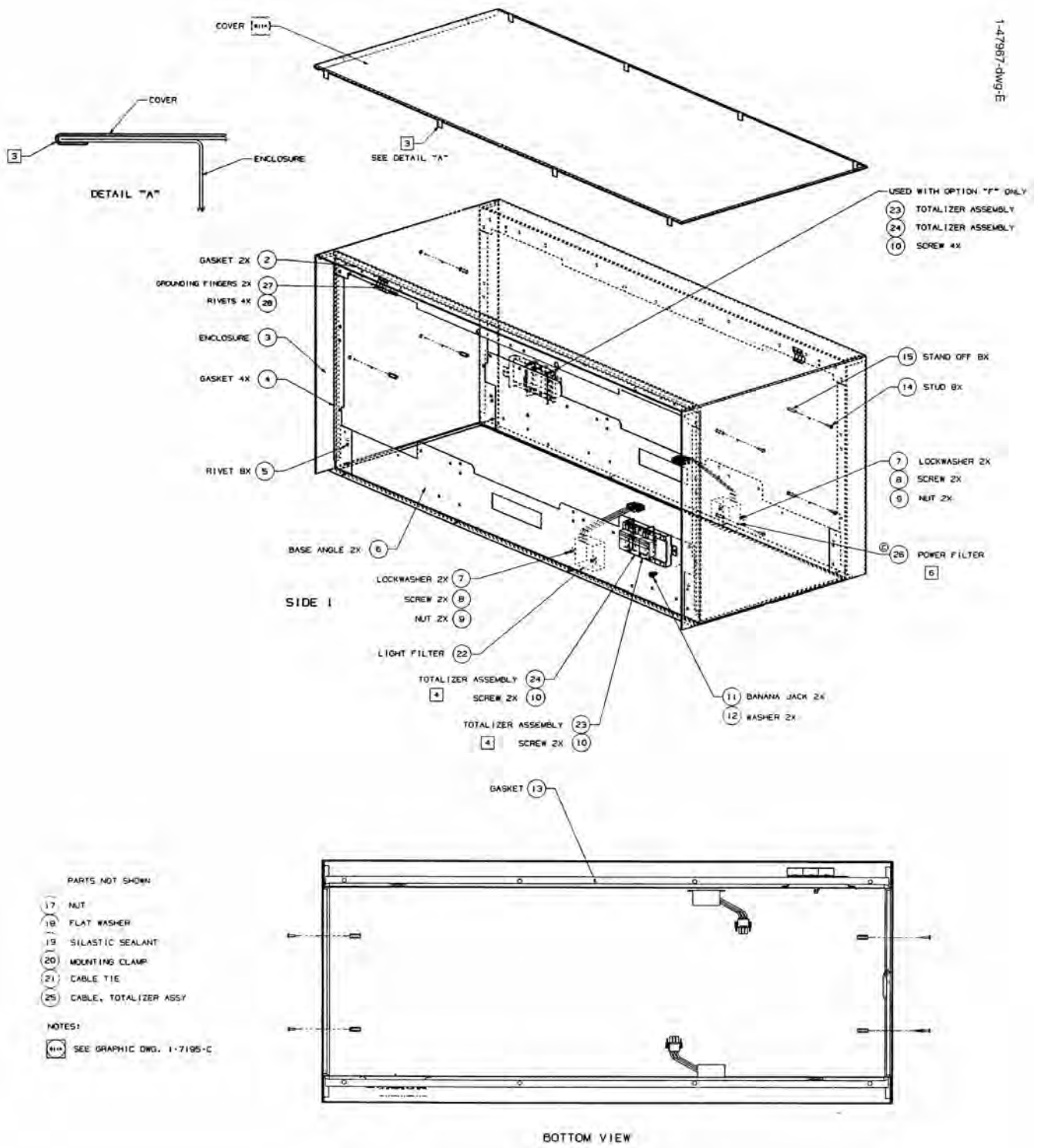


FIGURE 32. 1-47967-DWG - HEAD MODULE V390

**TABLE 46. WHD-038000 - HEAD MODULE 2V/390, ELECTRO-MECHANICAL TOTALIZERS**

<b>Item No.</b>	<b>Part No.</b>	<b>Qty.</b>	<b>Description</b>
	WHD-038000-		MOD,HD V390 EMT
DWG	001-047967-DWG		MOD,HEAD ASSY
DWG	001-007195-00C		GUIDE,GRAPHICS PLACEMENT (SEE FIGURE 2.)
1	001-921391-		TAPE,DOUBLE SIDED
2	001-202016-	2	GASKET
3	001-047948-	1	ENCLOSURE,HEAD
4	009-129830-	4	GASKET
5	-918286-	8	RIVET 3/16 MONOBOLT
6	001-047949-	2	ANGLE,BASE
7	-916736-	4	LOCK W#8 SHAKEPROOF EXT
8	-507868-	4	HEX MACH SCREW NUT #8-32
9	-918137-	4	PHPH S#8-32X1/2
10	-513161-	6	SLWA S#8X3/8 T/A CD
11	-918063-	2	JACK - BANANA
12	-902793-	2	LOCK W1/4 #1214SHAKEPROOF
13	003-129818-	1	GASKET
14	-918545-	8	STUD, SELF-CLINCHING
15	002-916865-	8	STOF #6-32 X 3/4 1/4 HEX
17	-918210-	8	HEX N1/4-20 STOP
18	-905245-	8	FLAT W1/4 SHAKEPROOF STL
19	-916202-		SILASTIC SEALANT
20	-918066-	2	MOUNTING CLAMP
21	-513210-		CABLE TIE
22	001-039974-	1	ASSY. FILTER
23	001-300791-	1	TOTE & BRACK ASSY MGD (SEE VISTA SHARED ASSY MANUAL PART NO. 920345)
24	002-300791-	1	TOTE & BRACK ASSY MGD(SEE VISTA SHARED ASSY MANUAL PART NO. 920345)
25	883579-003	1	CABLE ASSY,EM COUNTER,3 P
26	003-039974-	1	ASSY. FILTER

**TABLE 47. WHD-057000 - HEAD MODULE 2/V590, BLENDER, ELECTRO-MECHANICAL TOTALIZERS**

Item No.	Part No.	Qty.	Description
	WHD-057000-		MOD,HD 2 PR BL EMT
DWG	001-047967-DWG		MOD,HEAD ASSY
DWG	001-007195-00C		GUIDE,GRAPHICS PLACEMENT (SEE FIGURE 2.)
1	001-921391-		TAPE,DOUBLE SIDED
2	001-202016-	2	GASKET
3	001-047948-	1	ENCLOSURE,HEAD
4	009-129830-	4	GASKET
5	-918286-	8	RIVET 3/16 MONOBOLT
6	001-047949-	2	ANGLE,BASE
7	-916736-	4	LOCK W#8 SHAKEPROOF EXT
8	-507868-	4	HEX MACH SCREW NUT #8-32
9	-918137-	4	PHPH S#8-32X1/2
10	-513161-	4	SLWA S#8X3/8 T/A CD
11	-918063-	2	JACK - BANANA
12	-902793-	2	LOCK W1/4 #1214SHAKEPROOF
13	003-129818-	1	GASKET
14	-918545-	8	STUD, SELF-CLINCHING
15	002-916865-	8	STOF #6-32 X 3/4 1/4 HEX
17	-918210-	8	HEX N1/4-20 STOP
18	-905245-	8	FLAT W1/4 SHAKEPROOF STL
19	-916202-		SILASTIC SEALANT
20	-918066-	2	MOUNTING CLAMP
21	-513210-		CABLE TIE
22	001-039974-	1	FILTER,ASSY LIGHT
23	008-300791-	1	TOTE & BKT ASSY BLENDER (SEE VISTA SHARED ASSY MANUAL PART NO. 920345)
25	883579-005	1	CABLE,EM CNTR,2 PROD BLND
26	003-039974-	1	FILTER,ASSY POWER
27	001-921425-125	2	GASKET,SHIELDING 1.125"LG
28	005-916433-	4	POP RIVET DOME HD. 1/8"
30	820122-005	1	SUBASSY,ANN,42 IN LOW PRF

TABLE 48. HEAD MODULE 2/V595, ELECTRO-MECHANICAL TOTALIZERS

Item No.	Part No.	Qty.	Description
	WHD-085000-		MOD,HD V595 EMT
DWG	001-047967-DWG		MOD,HEAD ASSY
1	001-921391-		TAPE,DOUBLE SIDED
2	001-202016-	2	GASKET
3	001-047948-	1	ENCLOSURE,HEAD
4	009-129830-	4	GASKET
5	-918286-	8	RIVET 3/16 MONOBOLT
6	001-047949-	2	ANGLE,BASE
7	-916736-	4	LOCK W#8 SHAKEPROOF EXT
8	-507868-	4	HEX MACH SCREW NUT #8-32
9	-918137-	4	PHPH S#8-32X1/2
10	-513161-	6	SLWA S#8X3/8 T/A CD
11	-918063-	2	JACK - BANANA
12	-902793-	2	LOCK W1/4 #1214SHAKEPROOF
13	003-129818-	1	GASKET
14	-918545-	8	STUD, SELF-CLINCHING
15	002-916865-	8	STOF #6-32 X 3/4 1/4 HEX
17	-918210-	8	HEX N1/4-20 STOP
18	-905245-	8	FLAT W1/4 SHAKEPROOF STL
19	-916202-		SILASTIC SEALANT
20	-918066-	2	MOUNTING CLAMP
21	-513210-		CABLE TIE
22	001-039974-	1	FILTER,ASSY LIGHT
23	008-300791-	1	TOTE & BKT ASSY BLENDER (SEE VISTA SHARED ASSY MANUAL PART NO. 920345)
24	009-300791-	1	TOT & BKT ASSY SINGLE (SEE VISTA SHARED ASSY MANUAL PART NO. 920345)
25	883579-006	1	CABLE ASSY,EM CNTR,3 PROD
26	003-039974-	1	FILTER,ASSY POWER
30	820122-005	1	SUBASSY,ANN,42 IN LOW PRF

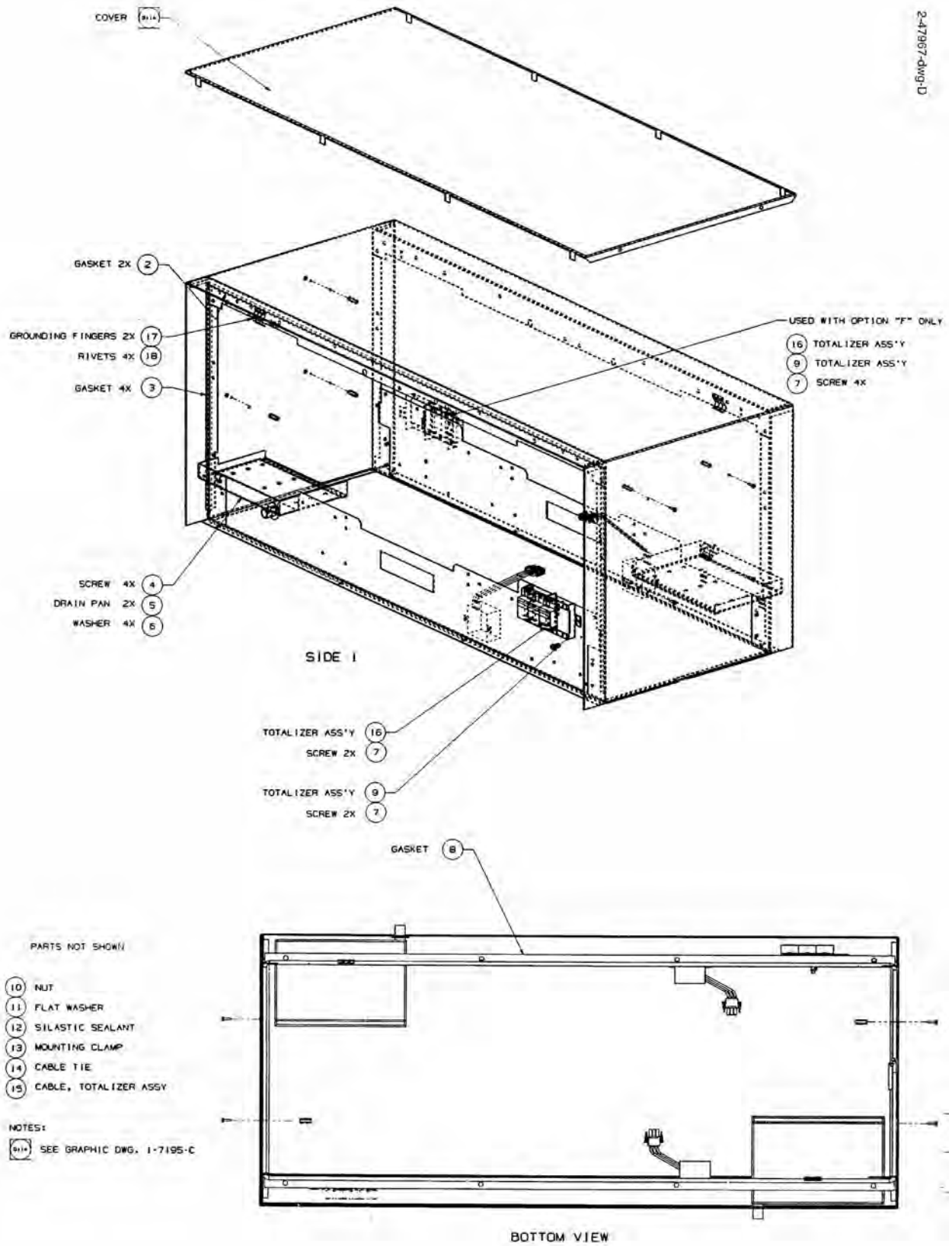


FIGURE 33. 2-47967-DWG - CATS HEAD MODULE V390

**TABLE 49. WHD-044000 - CATS HEAD MODULE 2/V390, ELECTRO-MECHANICAL TOTALIZERS**

Item No.	Part No.	Qty.	Description
	WHD-044000-		MOD,HD CATS V390 EMT
DWG	002-047967-DWG		MOD,HEAD ASSY
DWG	001-007195-00C		GUIDE,GRAPHICS PLACEMENT (SEE FIGURE 2.)
2	001-202016-	2	GASKET
3	009-129830-	4	GASKET
4	-513161-	6	SLWA S#8X3/8 T/A CD
5	881138-001	2	DRAINT PAN STRONGBOX VPAY
6	6010901	4	WASHER #8
8	003-129818-	1	GASKET
9	001-300791-	1	TOTE & BRACK ASSY MGD
10	-918210-	8	HEX N1/4-20 STOP
11	-905245-	8	FLAT W1/4 SHAKEPROOF STL
12	-916202-		SILASTIC SEALANT
13	-918066-	2	MOUNTING CLAMP
14	-513210-		CABLE TIE
15	883579-003	1	CABLE ASSY,EM COUNTER,3 P
16	002-300791-	1	TOTE & BRACK ASSY MGD (SEE VISTA SHARED ASSY MANUAL PART NO. 920345)
17	001-921425-125	2	GASKET,SHIELDING 1.125"LG
18	005-916433-	4	POP RIVET DOME HD. 1/8"

**TABLE 50. WHD-081000 - CATS HEAD MODULE 2/V490, ELECTRO-MECHANICAL TOTALIZERS**

Item No.	Part No.	Qty.	Description
	WHD-081000-		MOD,HD CATS V490 EMT
DWG	001-007195-00C		GUIDE,GRAPHICS PLACEMENT (SEE FIGURE 2.)
DWG	002-047967-DWG		MOD,HEAD ASSY
2	001-202016-	2	GASKET
3	009-129830-	4	GASKET
4	-513161-	6	SLWA S#8X3/8 T/A CD
5	881138-001	2	DRAINT PAN STRONGBOX VPAY
6	6010901	4	WASHER #8
8	003-129818-	1	GASKET
9	007-300791-	1	TOTE & BRACK ASSY V490(R) (SEE VISTA SHARED ASSY MANUAL PART NO. 920345)
10	-918210-	8	HEX N1/4-20 STOP
11	-905245-	8	FLAT W1/4 SHAKEPROOF STL
12	-916202-		SILASTIC SEALANT
13	-918066-	2	MOUNTING CLAMP
14	-513210-		CABLE TIE
15	883579-004	1	WIRE HARENSS,FOUR TOTE
16	006-300791-	1	TOTE & BRACK ASSY V490(C) (SEE VISTA SHARED ASSY MANUAL PART NO. 920345)
17	001-921425-125	2	GASKET,SHIELDING 1.125"LG
18	005-916433-	4	POP RIVET DOME HD. 1/8"

**TABLE 51. WHD-061000 - CATS HEAD MODULE 2/V590, TWO PRODUCT BLENDER, ELECTRO-MECHANICAL TOTALIZERS**

Item No.	Part No.	Qty.	Description
	WHD-061000-		MOD,HD CATS 2 PR BL EMT
DWG	002-047967-DWG		MOD,HEAD ASSY
DWG	001-007195-00C		GUIDE,GRAPHICS PLACEMENT (SEE FIGURE 2.)
2	001-202016-	2	GASKET
3	009-129830-	4	GASKET
4	-513161-	4	SLWA S#8X3/8 T/A CD
5	881138-001	2	DRAINT PAN STRONGBOX VPAY
6	6010901	4	WASHER #8
8	003-129818-	1	GASKET
10	-918210-	8	HEX N1/4-20 STOP
11	-905245-	8	FLAT W1/4 SHAKEPROOF STL
12	-916202-		SILASTIC SEALANT
13	-918066-	2	MOUNTING CLAMP
14	-513210-		CABLE TIE
15	883579-005	1	CABLE,EM CNTR,2 PROD BLND
16	008-300791-	1	TOTE & BKT ASSY BLENDER (SEE VISTA SHARED ASSY MANUAL PART NO. 920345)
17	001-921425-125	2	GASKET,SHIELDING 1.125"LG
18	005-916433-	4	POP RIVET DOME HD. 1/8"

**TABLE 52. WHD-06300 - CATS HEAD MODULE 2/V595, ELECTRO-MECHANICAL TOTALIZERS**

Item No.	Part No.	Qty.	Description
	WHD-063000-		MOD,HD CATS 2 PR BL EMT
DWG	001-007195-00C		GUIDE,GRAPHICS PLACEMENT (SEE FIGURE 2.)
DWG	002-047967-DWG		MOD,HEAD ASSY
2	001-202016-	2	GASKET
3	009-129830-	4	GASKET
4	-513161-	4	SLWA S#8X3/8 T/A CD
5	881138-001	1	DRAINT PAN STRONGBOX VPAY
6	6010901	2	WASHER #8
8	003-129818-	1	GASKET
9	009-300791-	1	TOT & BKT ASSY SINGLE
10	-918210-	8	HEX N1/4-20 STOP
11	-905245-	8	FLAT W1/4 SHAKEPROOF STL
12	-916202-		SILASTIC SEALANT
13	-918066-	2	MOUNTING CLAMP
14	-513210-		CABLE TIE
15	883579-005	1	CABLE,EM CNTR,2 PROD BLND
16	008-300791-	1	TOTE & BKT ASSY BLENDER (SEE VISTA SHARED ASSY MANUAL PART NO. 920345)
17	001-921425-125	2	GASKET,SHIELDING 1.125"LG
18	005-916433-	4	POP RIVET DOME HD. 1/8"

**TABLE 53. WHD 072000 - CATS HEAD MODULE 2/V591, ELECTRO-MECHANICAL TOTALIZERS**

<b>Item No.</b>	<b>Part No.</b>	<b>Qty.</b>	<b>Description</b>
	WHD-072000-		MOD,HD CATS V591 EMT
DWG	001-007195-00C		GUIDE,GRAPHICS PLACEMENT (SEE FIGURE 2.)
DWG	002-047967-DWG		MOD,HEAD ASSY
2	001-202016-	2	GASKET
3	009-129830-	4	GASKET
4	-513161-	6	SLWA S#8X3/8 T/A CD
5	881138-001	2	DRAINT PAN STRONGBOX VPAY
6	6010901	4	WASHER #8
8	003-129818-	1	GASKET
9	009-300791-	1	TOT & BKT ASSY SINGLE (SEE VISTA SHARED ASSY MANUAL PART NO. 920345)
10	-918210-	8	HEX N1/4-20 STOP
11	-905245-	8	FLAT W1/4 SHAKEPROOF STL
12	-916202-		SILASTIC SEALANT
13	-918066-	2	MOUNTING CLAMP
14	-513210-		CABLE TIE
15	883579-006	1	CABLE ASSY,EM CNTR,3 PROD
16	008-300791-	1	TOTE & BKT ASSY BLENDER (SEE VISTA SHARED ASSY MANUAL PART NO. 920345)
17	001-921425-125	2	GASKET,SHIELDING 1.125"LG
18	005-916433-	4	POP RIVET DOME HD. 1/8"

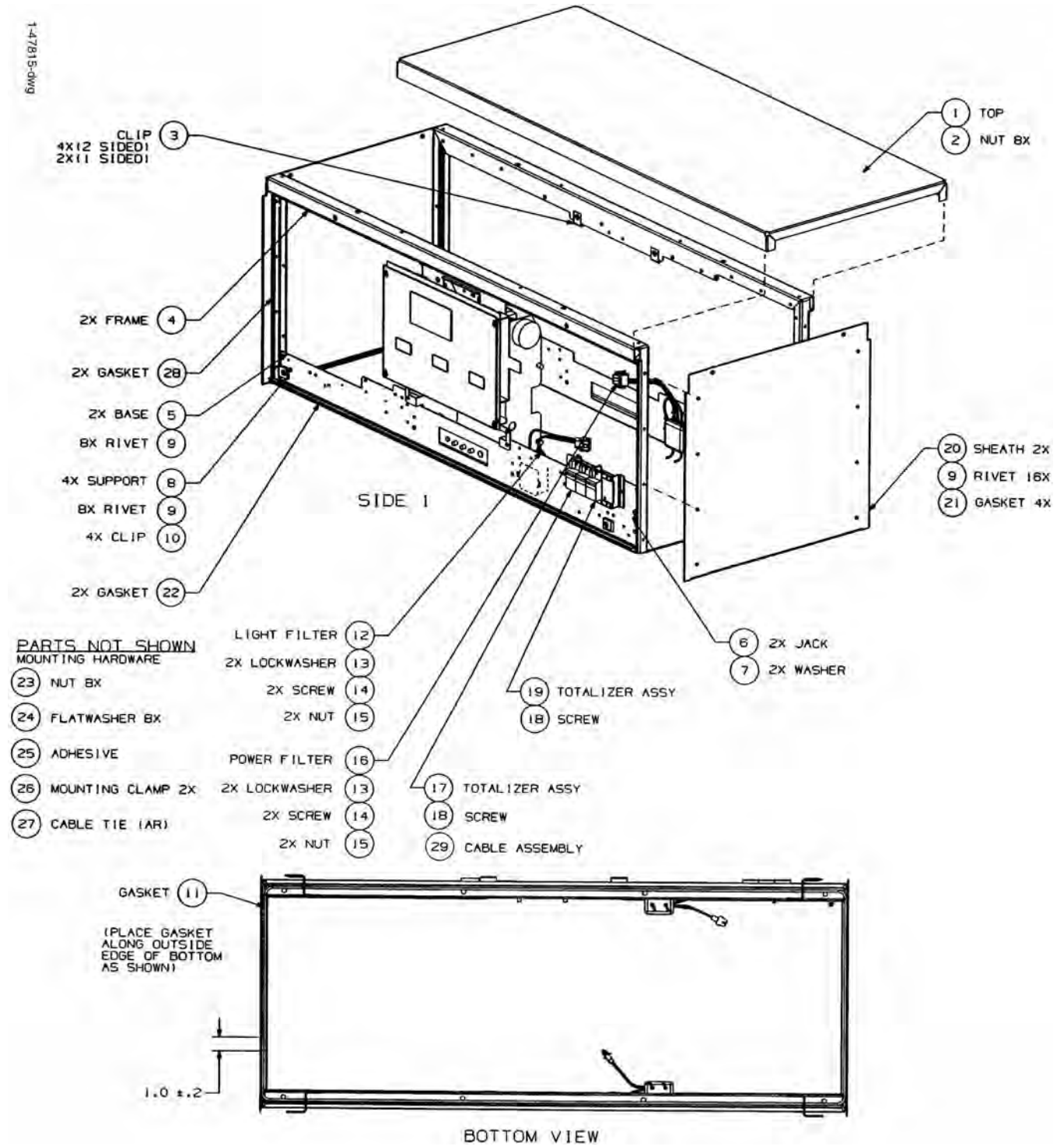


FIGURE 34. 1-47815-DWG - HEAD MODULE V390

TABLE 54. OC1-47815 - HEAD MODULE 2/V390

Item No.	Part No.	Qty.	Description
	OC1-047815-		MOD,HEAD V390
DWG	001-047815-DWG		DWG,MOD,HEAD V390
DWG	001-007195-00C		GUIDE,GRAPHICS PLACEMENT (SEE FIGURE 2.)
2	-918379-	8	HEX N#6-32 KEPS, ZINC
3	-918076-	4	CLIP
4	002-047577-	2	FRAME,ELECTRONIC HEAD
5	002-047542-	2	BASE, ANGLE
6	-918063-	2	JACK - BANANA
7	-902793-	2	LOCK W1/4 #1214SHAKEPROOF
8	-129810-	4	SUPPORT - BEZEL FASTEN
9	-918286-	32	RIVET 3/16 MONOBOLT
10	-918391-003	4	RECEPTACLE-WING HEAD-CLIP
11	003-129818-	1	GASKET
12	001-039974-	1	ASSY. FILTER
13	-916736-	4	LOCK W#8 SHAKEPROOF EXT
14	-507868-	4	HEX MACH SCREW NUT #8-32
15	-918137-	2	PHPH S#8-32X1/2
16	003-039974-	1	ASSY. FILTER
17	001-300791-	1	TOTE & BRACK ASSY MGD (SEE VISTA SHARED ASSY MANUAL PART NO. 920345)
18	-513161-	2	SLWA S#8X3/8 T/A CD
19	002-300791-	1	TOTE & BRACK ASSY MGD (SEE VISTA SHARED ASSY MANUAL PART NO. 920345)
20	003-039851-	2	SHEATH,END
21	002-039938-	4	GASKET-ELECTR. HEAD ASSY
22	002-129830-	2	GASKET
23	-918210-	8	HEX N1/4-20 STOP
24	-905245-	8	FLAT W1/4 SHAKEPROOF STL
25	-916202-		SILASTIC SEALANT
26	-918066-	2	MOUNTING CLAMP
27	-513210-		CABLE TIE
28	001-129830-	2	GASKET
29	883579-003	1	CABLE ASSY,EM COUNTER,3 P
30	820122-005	1	SUBASSY,ANN,42 IN LOW PRF

TABLE 55. C20-47815 - PRESET HEAD MODULE 2/V390

Item No.	Part No.	Qty.	Description
	C20-047815-		MOD,PRSET HD V390
DWG	001-047815-DWG		DWG,MOD,HEAD V390
DWG	001-007195-00C		GUIDE,GRAPHICS PLACEMENT (SEE FIGURE 2.)
2	-918379-	8	HEX N#6-32 KEPS, ZINC
3	-918076-	4	CLIP
4	002-047577-	2	FRAME,ELECTRONIC HEAD
5	002-047542-	2	BASE, ANGLE
6	-918063-	2	JACK - BANANA
7	-902793-	2	LOCK W1/4 #1214SHAKEPROOF
8	-129810-	4	SUPPORT - BEZEL FASTEN
9	-918286-	32	RIVET 3/16 MONOBOLT
10	-918391-003	4	RECEPTACLE-WING HEAD-CLIP
11	003-129818-	1	GASKET
12	009-039974-	1	FILTER,ASSY PRESET
13	-916736-	4	LOCK W#8 SHAKEPROOF EXT
14	-507868-	4	HEX MACH SCREW NUT #8-32
15	-918137-	2	PHPH S#8-32X1/2
16	003-039974-	1	ASSY. FILTER
17	001-300791-	1	TOTE & BRACK ASSY MGD (SEE VISTA SHARED ASSY MANUAL PART NO. 920345)
18	-513161-	2	SLWA S#8X3/8 T/A CD
19	002-300791-	1	TOTE & BRACK ASSY MGD (SEE VISTA SHARED ASSY MANUAL PART NO. 920345)
20	003-039851-	2	SHEATH,END
21	002-039938-	4	GASKET-ELECTR. HEAD ASSY
22	002-129830-	2	GASKET
23	-918210-	8	HEX N1/4-20 STOP
24	-905245-	8	FLAT W1/4 SHAKEPROOF STL
25	-916202-		SILASTIC SEALANT
26	-918066-	2	MOUNTING CLAMP
27	-513210-		CABLE TIE
28	001-129830-	2	GASKET
29	883579-003	1	CABLE ASSY,EM COUNTER,3 P
30	820122-005	1	SUBASSY,ANN,42 IN LOW PRF

TABLE 56. C18-47815 - HEAD MODULE 2/V590

Item No.	Part No.	Qty.	Description
	C18-047815-		MOD,HD V395/U
DWG	001-047815-DWG		DWG,MOD,HEAD V390
DWG	001-007195-00C		GUIDE,GRAPHICS PLACEMENT (SEE FIGURE 2.)
2	-918379-	8	HEX N#6-32 KEPS, ZINC
3	-918076-	4	CLIP
4	002-047577-	2	FRAME,ELECTRONIC HEAD
5	002-047542-	2	BASE, ANGLE
6	-918063-	2	JACK - BANANA
7	-902793-	2	LOCK W1/4 #1214SHAKEPROOF
8	-129810-	4	SUPPORT - BEZEL FASTEN
9	-918286-	32	RIVET 3/16 MONOBOLT
10	-918391-003	4	RECEPTACLE-WING HEAD-CLIP
11	003-129818-	1	GASKET
12	001-039974-	1	FILTER,ASSY LIGHT
13	-916736-	4	LOCK W#8 SHAKEPROOF EXT
14	-918137-	2	PHPH S#8-32X1/2
15	-507868-	4	HEX MACH SCREW NUT #8-32
16	003-039974-	1	FILTER,ASSY POWER
17	008-300791-	1	TOTE & BKT ASSY BLENDER (SEE VISTA SHARED ASSY MANUAL PART NO. 920345)
18	-513161-	1	SLWA S#8X3/8 T/A CD
20	003-039851-	2	SHEATH,END
21	002-039938-	4	GASKET-ELECTR. HEAD ASSY
22	002-129830-	2	GASKET
23	-918210-	8	HEX N1/4-20 STOP
24	-905245-	8	FLAT W1/4 SHAKEPROOF STL
25	-916202-		SILASTIC SEALANT
26	-918066-	2	MOUNTING CLAMP
27	-513210-		CABLE TIE
28	001-129830-	2	GASKET
29	883579-005	1	CABLE,EM CNTR,2 PROD BLND
30	820122-005	1	SUBASSY,ANN,42 IN LOW PRF

TABLE 57. HEAD MODULE 2/V595/R SINGLE SIDED

Item No.	Part No.	Qty.	Description
	C42-047815-		MOD,HD V395/R
DWG	001-047815-DWG		DWG,MOD,HEAD V390
1	005-047543-	1	SHEATH, TOP
2	-918379-	8	HEX N#6-32 KEPS, ZINC
3	-918076-	2	CLIP
4	002-047577-	2	FRAME,ELECTRONIC HEAD
5	002-047542-	2	BASE, ANGLE
6	-918063-	2	JACK - BANANA
7	-902793-	2	LOCK W1/4 #1214SHAKEPROOF
8	-129810-	4	SUPPORT - BEZEL FASTEN
9	-918286-	32	RIVET 3/16 MONOBOLT
10	-918391-003	4	RECEPTACLE-WING HEAD-CLIP
11	003-129818-	1	GASKET
12	002-039974-	1	FILTER,ASSY LIGHT
13	-916736-	4	LOCK W#8 SHAKEPROOF EXT
14	-918137-	2	PHPH S#8-32X1/2
15	-507868-	4	HEX MACH SCREW NUT #8-32
16	005-039974-	1	FILTER,ASSY POWER
17	008-300791-	1	TOTE & BKT ASSY BLENDER (SEE VISTA SHARED ASSY MANUAL PART NO. 920345)
18	-513161-	2	SLWA S#8X3/8 T/A CD
19	009-300791-	1	TOT & BKT ASSY SINGLE (SEE VISTA SHARED ASSY MANUAL PART NO. 920345)
20	003-039851-	2	SHEATH,END
21	002-039938-	4	GASKET-ELECTR. HEAD ASSY
22	002-129830-	2	GASKET
23	-918210-	8	HEX N1/4-20 STOP
24	-905245-	8	FLAT W1/4 SHAKEPROOF STL
25	-916202-		SILASTIC SEALANT
26	-918066-	2	MOUNTING CLAMP
27	-513210-		CABLE TIE
28	001-129830-	2	GASKET
29	883579-006	1	CABLE ASSY,EM CNTR,3 PROD



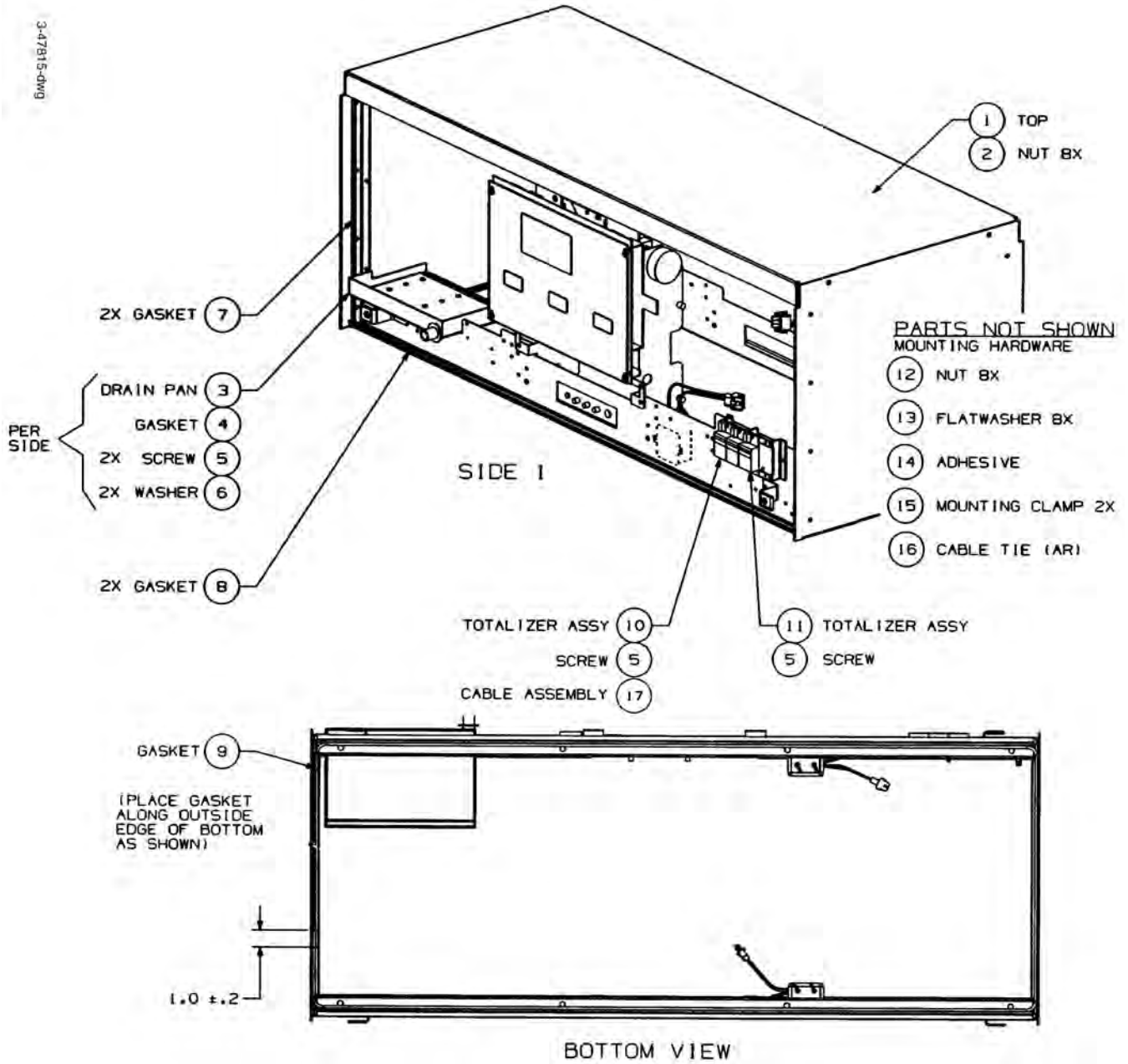


FIGURE 35. 3-47815-DWG - CATS HEAD MODULE

TABLE 58. OC3-47815 - CATS HEAD MODULE MGD CPM 2/V390

Item No.	Part No.	Qty.	Description
	0C3-047815-		MOD,CATS HD PARTS MGD CPM
DWG	003-047815-DWG		DWG,MOD,CATS HEAD PTS.
DWG	001-007195-00C		GUIDE,GRAPHICS PLACEMENT (SEE FIGURE 2.)
2	-918379-	8	HEX N#6-32 KEPS, ZINC
3	881138-001	2	DRAINT PAN STRONGBOX VPAY
4	881163-009	2	GASKET DONUT DRAIN PAN VP
5	-513161-	6	SLWA S#8X3/8 T/A CD
6	6010901	4	WASHER #8
7	001-129830-	2	GASKET
8	002-129830-	2	GASKET
9	003-129818-	1	GASKET
10	001-300791-	1	TOTE & BRACK ASSY MGD (SEE VISTA SHARED ASSY MANUAL PART NO. 920345)
11	002-300791-	1	TOTE & BRACK ASSY MGD (SEE VISTA SHARED ASSY MANUAL PART NO. 920345)
12	-918210-	8	HEX N1/4-20 STOP
13	-905245-	8	FLAT W1/4 SHAKEPROOF STL
14	-916202-		SILASTIC SEALANT
15	-918066-	2	MOUNTING CLAMP
16	-513210-		CABLE TIE
17	883579-003	1	CABLE ASSY,EM COUNTER,3 P

**TABLE 59. C11-47815 - CATS HEAD MODULE 2/V490 CPM**

Item No.	Part No.	Qty.	Description
	C11-047815-		MOD,CATS HD V490 CPM
DWG	003-047815-DWG		DWG,MOD,CATS HEAD PTS.
2	-918379-	8	HEX N#6-32 KEPS, ZINC
3	881138-001	2	DRAINT PAN STRONGBOX VPAY
4	881163-009	2	GASKET DONUT DRAIN PAN VP
5	-513161-	6	SLWA S#8X3/8 T/A CD
6	6010901	4	WASHER #8
7	001-129830-	2	GASKET
8	002-129830-	2	GASKET
9	003-129818-	1	GASKET
10	006-300791-	1	TOTE & BRACK ASSY V490(C)
11	007-300791-	1	TOTE & BRACK ASSY V490(R)
12	-918210-	8	HEX N1/4-20 STOP
13	-905245-	8	FLAT W1/4 SHAKEPROOF STL
14	-916202-		SILASTIC SEALANT
15	-918066-	2	MOUNTING CLAMP
16	-513210-		CABLE TIE
17	883579-004	1	WIRE HARENSS,FOUR TOTE

**TABLE 60. OC6-47815 - CATS HEAD MODULE 2/V590 BLENDING CPM**

Item No.	Part No.	Qty.	Description
	OC6-047815-		MOD,CATS HD PARTS BLE CPM
DWG	003-047815-DWG		DWG,MOD,CATS HEAD PTS.
DWG	001-007195-00C		GUIDE,GRAPHICS PLACEMENT (SEE FIGURE 2.)
2	-918379-	8	HEX N#6-32 KEPS, ZINC
3	881138-001	2	DRAINT PAN STRONGBOX VPAY
4	881163-009	2	GASKET DONUT DRAIN PAN VP
5	-513161-	5	SLWA S#8X3/8 T/A CD
6	6010901	4	WASHER #8
7	001-129830-	2	GASKET
8	002-129830-	2	GASKET
9	003-129818-	1	GASKET
10	008-300791-	1	TOTE & BKT ASSY BLENDER (SEE VISTA SHARED ASSY MANUAL PART NO. 920345)
12	-918210-	8	HEX N1/4-20 STOP
13	-905245-	8	FLAT W1/4 SHAKEPROOF STL
14	-916202-		SILASTIC SEALANT
15	-918066-	2	MOUNTING CLAMP
16	-513210-		CABLE TIE
17	883579-005	1	CABLE,EM CNTR,2 PROD BLND

**TABLE 61. C36-47815 - CATS HEAD MODULE 2/V595 CPM**

Item No.	Part No.	Qty.	Description
	C36-047815-		MOD,CATS PARTS V395 CPM
DWG	003-047815-DWG		DWG,MOD,CATS HEAD PTS.
DWG	001-007195-00C		GUIDE,GRAPHICS PLACEMENT (SEE FIGURE 2.)
2	-918379-	8	HEX N#6-32 KEPS, ZINC
3	881138-001	2	DRAINT PAN STRONGBOX VPAY
4	881163-009	2	GASKET DONUT DRAIN PAN VP
5	-513161-	6	SLWA S#8X3/8 T/A CD
6	6010901	4	WASHER #8
7	001-129830-	2	GASKET
8	002-129830-	2	GASKET
9	003-129818-	1	GASKET
10	008-300791-	1	TOTE & BKT ASSY BLENDER (SEE VISTA SHARED ASSY MANUAL PART NO. 920345)
11	009-300791-	1	TOT & BKT ASSY SINGLE (SEE VISTA SHARED ASSY MANUAL PART NO. 920345)
12	-918210-	8	HEX N1/4-20 STOP
13	-905245-	8	FLAT W1/4 SHAKEPROOF STL
14	-916202-		SILASTIC SEALANT
15	-918066-	2	MOUNTING CLAMP
16	-513210-		CABLE TIE
17	883579-006	1	CABLE ASSY,EM CNTR,3 PROD

**TABLE 62. DEM 2/V390 120V**

Item No.	Part No.	Qty.	Description
1	883618-002	1	COMPUTER ASSY,V+ MGD 120V(SEE TABLE 68.)
2	883633-002	1	CHIPSET V+ DOMESTIC REV 8
3	881015-003	2	ASSY. PCB INTEG DESPL B/W
5	883385-003	2	PCB ASSY,VP C/CR INTFC (LIFT TO START ONLY)
	883385-001	2	PCB ASSY,VP C/CR INTFC (PUSH TO START ONLY)
21	881531-001	2	ASSY,BALLAST VISTA 120V
43	880541-001/003	1	ASSY,PCB DUPLEX 3PROD
44	881693-001	2	ASSY,CABLE,ACTUATOR 3/5 (PUSH TO START ONLY)
250	886244-001	1	UL LABEL,DEM,W/COMP,SNG P
251	886245-001	1	UL LABEL,DEM,W/O COMP,SN
800	883662-CFG		DEM ASSY,DWG(SEE FIGURE 37.)
1000	884549-001	1	DEM GENERIC PARTS,SIDE 1 (SEE TABLE 69.)
1001	884550-001	1	DEM GENERIC PARTS,SIDE 2 (SEE TABLE 70.)
1500	886346-304		MFG TEST,MGD,3P,LTS,DMSTC

**TABLE 63. DEM 2V490 120V**

Item No.	Part No.	Qty.	Description
NO DWG	211114-441/210		DEM V+ V490 120V DS SP LTS 1245
1	883618-002	1	COMPUTER ASSY,V+ MGD,120V
2	883633-002	1	CHIPSET,VISTA PLUS DOMESTIC VER 11
3	881015-004	2	PCB,ASSY INTEG DSPL B/W SGL 4 UP
5	883385-003	2	PCB ASSY,V+ C/CR INTFC
21	881531-001	2	ASSY,BALLAST 120V
43	880541-001/004	1	PCB ASSY,DUPLEX 4PROD SOL DR 120V
250	886244-001	1	LABEL,DEM,W/COMP,SINGLE PRICE
251	886245-001	1	LABEL,DEM,W/O COMP,SINGLE PRICE
800	883662-CFG	0	DEM ASSY,DWG (SEE FIGURE 37.)
1000	884549-001	1	DEM GENERIC PARTS,SIDE 1 (SEE TABLE 69.)
1001	884550-001	1	DEM GENERIC PARTS,SIDE 2 (SEE TABLE 70.)
1500	886346-503	0	MFG TEST,MGD,4P,LTS,DMSTC

**TABLE 64. DEM 2/V590 120V**

Item No.	Part No.	Qty.	Description
1	883618-001	1	COMPUTER ASSY,V+ BLEND, (SEE TABLE 67.)
2	883633-002	1	CHIPSET V+ DOMESTIC REV 8
3	881015-003	2	ASSY. PCB INTEG DESPL B/W
5	883385-003	2	PCB ASSY,VP C/CR INTFC (LIFT TO START ONLY)
	883385-001	2	PCB ASSY,VP C/CR INTFC (PUSH TO START ONLY)
21	881531-001	2	ASSY,BALLAST VISTA 120V
43	883474-001	1	PCB ASSY,V+ SD BLEND MH
44	881693-001	2	ASSY,CABLE,ACTUATOR 3/5 (PUSH TO START ONLY)
250	886244-001	1	UL LABEL,DEM,W/COMP,SNG P
251	886245-001	1	UL LABEL,DEM,W/O COMP,SN
800	883662-CFG		DEM ASSY,DWG (SEE FIGURE 37.)
1000	884549-001	1	DEM GENERIC PARTS,SIDE 1 (SEE TABLE 69.)
1001	884550-001	1	DEM GENERIC PARTS,SIDE 2 (SEE TABLE 70.)
1500	886346-703		MFG TEST,F-BLND,LTS,DMSTC (LIFT TO START ONLY)
	886346-602		MFG TES,V-BLND,PTS,DMSTC (PUSH TO START ONLY)

**TABLE 65. DEM 2/V590/U 120V, PTS**

Item No.	Part No.	Qty.	Description
NO DWG	212122-131/710		DEM V+ V590U 120V DS SP PTS 135
1	883618-001	1	COMPUTER ASSY,V+ BLEND,120V/240V (SEE TABLE 67.)
2	883633-002	1	CHIPSET,VISTA PLUS DOMESTIC VER 11
3	881015-003	2	PCB,ASSY INTEG DSPL B/W SGL 3UP
5	883385-001	2	PCB ASSY,V+ C/CR INTFC 120V
21	881531-001	2	ASSY,BALLAST 120V
43	883474-002	1	PCB ASSY,V+ SD BLEND 1H
44	881693-001	2	ASSY,CABLE,ACTUATOR 3/5
	881692-002	2	ASSY,CABLE,ACTUATOR 1/2,590V 2 PROD
250	886244-001	1	LABEL,DEM,W/COMP,SINGLE PRICE
251	886245-001	1	LABEL,DEM,W/O COMP,SINGLE PRICE
800	883662-CFG	0	DEM ASSY,DWG (SEE FIGURE 37.)
1000	884549-001	1	DEM GENERIC PARTS,SIDE 1 (SEE TABLE 69.)
1001	884550-001	1	DEM GENERIC PARTS,SIDE 2 (SEE TABLE 70.)
1500	886346-602	0	MFG TEST,V-BLND,PTS,DMSTC

**TABLE 66. DEM 2/V595 120V**

Item No.	Part No.	Qty.	Description
NO DWG	212122-141/110		DEM V+ V585-4 120V DS SP
1	883618-001	1	COMPUTER ASSY,V+ BLEND, (SEE TABLE 67.)
2	883633-002	1	CHIPSET V+ DOMESTIC REV 8
3	881015-005	2	PCB INTEG DSPL B/W SGL5UP
3	881015-007	2	ASSY,DSPL SGL UP 2,3,4,5
5	883385-001	2	PCB ASSY,VP C/CR INTFC
21	881531-001	2	ASSY,BALLAST VISTA 120V
43	883474-002	1	PCB ASSY,V+ SD BLEND 1H
44	881693-001	2	ASSY,CABLE,ACTUATOR 3/5
250	886244-001	1	UL LABEL,DEM,W/COMP,SNG P
251	886245-001	1	UL LABEL,DEM,W/O COMP,SN
800	883662-CFG		DEM ASSY,DWG (SEE FIGURE 37.)
1000	884549-001	1	DEM GENERIC PARTS,SIDE 1 (SEE TABLE 69.)
1001	884550-001	1	DEM GENERIC PARTS,SIDE 2 (SEE TABLE 70.)
1500	886346-602		MFG TES,V-BLND,PTS,DMSTC

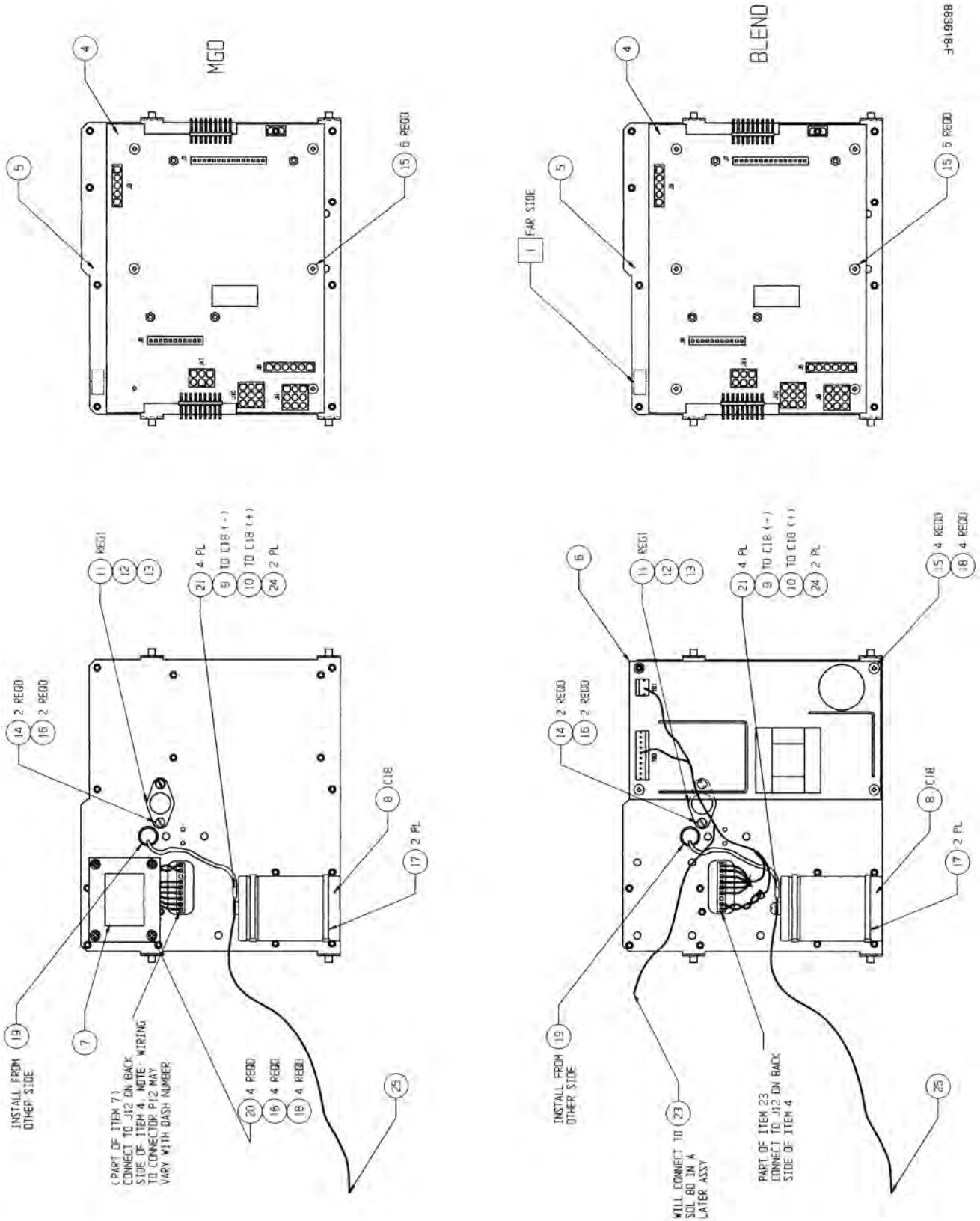


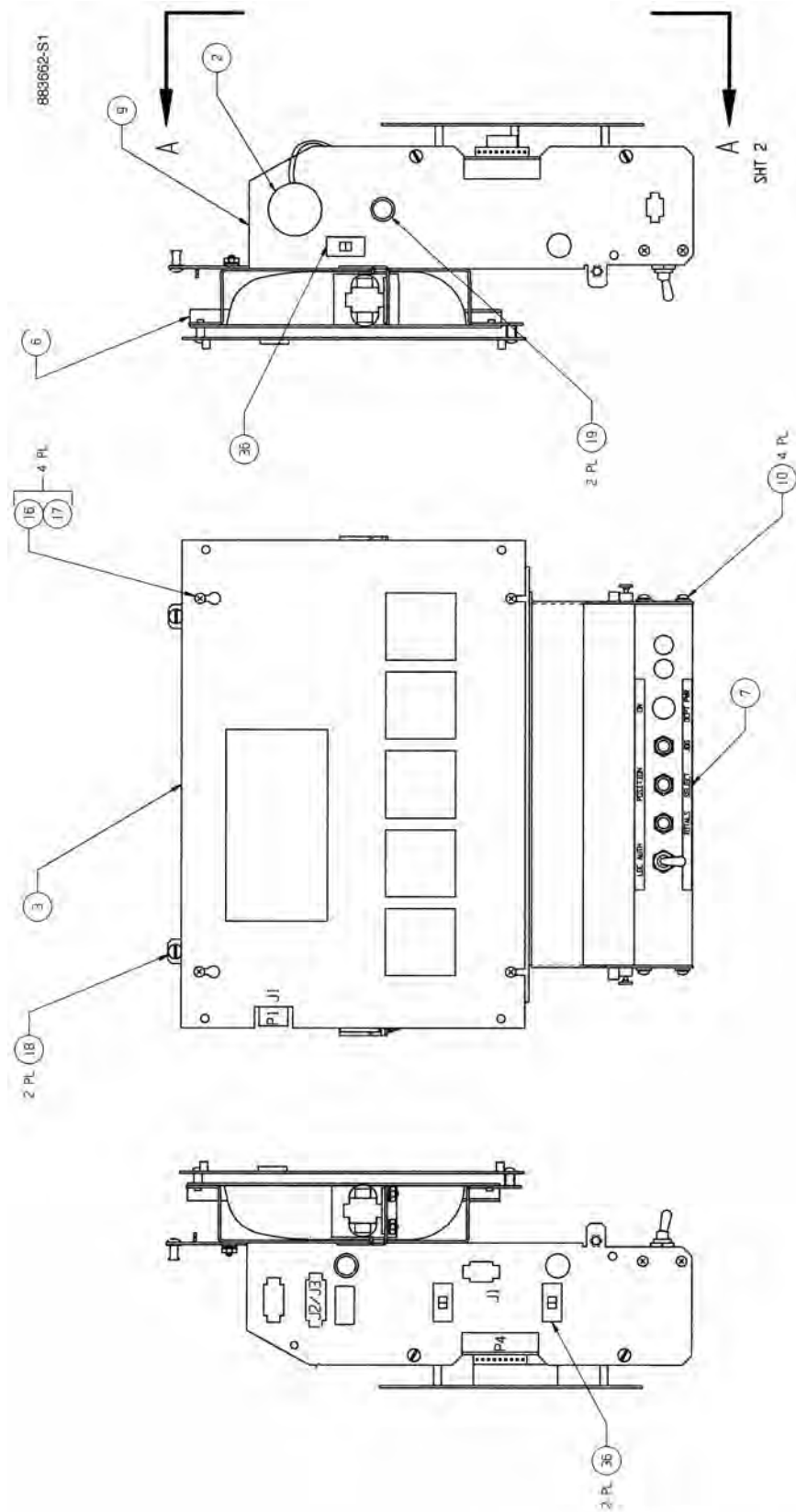
FIGURE 36. 883618- COMPUTER 2/VISTA

**TABLE 67. 883618-001 - COMPUTER ASSEMBLY 2/VISTA BLENDING DISPENSER**

Item No.	Part No.	Qty.	Description
	883618-001		COMPUTER ASSY,V+ BLEND,120V/240V
DWG	883618		CPMPUTER ASSY
4	883051-005	1	PCB ASSY,DUP COM 240V 4 LYR V+
5	883614-001	1	FRAME,DUAL FOUR PROD CPU VISTA PLUS
6	883624-001	1	PWR SUPPLY,24V 43W EXT.TEMP
8	3307401	1	CAP AL 25KUF 25V /+75-10%
9	820118-003	1	WIRE ASSY,WHT 7.5"L
10	820118-004	1	WIRE ASSY,VIO 7.5"L
11	1026301	1	IC VOLT REG FXD 5V/5%
12	800184-001	1	SOCKET XSTR MOD FROM 4600 [T0-3]
13	4038001	1	INSUL XSISTOR TO-3 .007 THK
14	882262-002	2	SCR 6-20X3/8 IW-BSLSTPL
15	6005902	10	SCR 6-32X1/2 PHESPHSTPL
17	5008609	2	TIE WRAP 11"L X .19"W
19	5003601	1	BUSHING NYLON BLACK (B-500-375)
21	6013201	4	WSHR LK #10 ITLWMDSSPA
23	883578-001	1	CABLE ASSY,V+ BLEND PWR SUPP
24	6001102	2	SCR 10-32X5/16 PHMSPHSSPA
25	884541-001	1	CABLE,VCAP

**TABLE 68. 883618-002 - COMPUTER 2/VISTA MULTI GRADE DISPENSER**

Item No.	Part No.	Qty.	Description
	883618-002		COMPUTER ASSY,V+ MGD,120V
DWG	883618		CPMPUTER ASSY
4	883051-004	1	PCB ASSY,DUP COM <b>120V</b> 4 LYR V+
	883051-005	1	PCB ASSY,DUP COM <b>240V</b> 4 LYR V+
5	883614-001	1	FRAME,DUAL FOUR PROD CPU VISTA PLUS
7	883641-001	1	XFMR SUB-ASSY,V+ DUAL COMP 120V
8	3307401	1	CAP AL 25KUF 25V /+75-10%
9	820118-003	1	WIRE ASSY,WHT 7.5"L
10	820118-004	1	WIRE ASSY,VIO 7.5"L
11	1026301	1	IC VOLT REG FXD 5V/5%
12	800184-001	1	SOCKET XSTR MOD FROM 4600 [T0-3]
13	4038001	1	INSUL XSISTOR TO-3 .007 THK
14	882262-002	2	SCR 6-20X3/8 IW-BSLSTPL
15	6005902	6	SCR 6-32X1/2 PHESPHSTPL
17	5008609	2	TIE WRAP 11"L X .19"W
19	5003601	1	BUSHING NYLON BLACK (B-500-375)
20	6000716	4	SCR 6-32X1-3/4 PHMSPHSSPA
21	6013201	4	WSHR LK #10 ITLWMDSSPA
24	6001102	2	SCR 10-32X5/16 PHMSPHSSPA
25	884541-001	1	CABLE,VCAP



**FIGURE 37. 883662-S1-CFG - DEM**

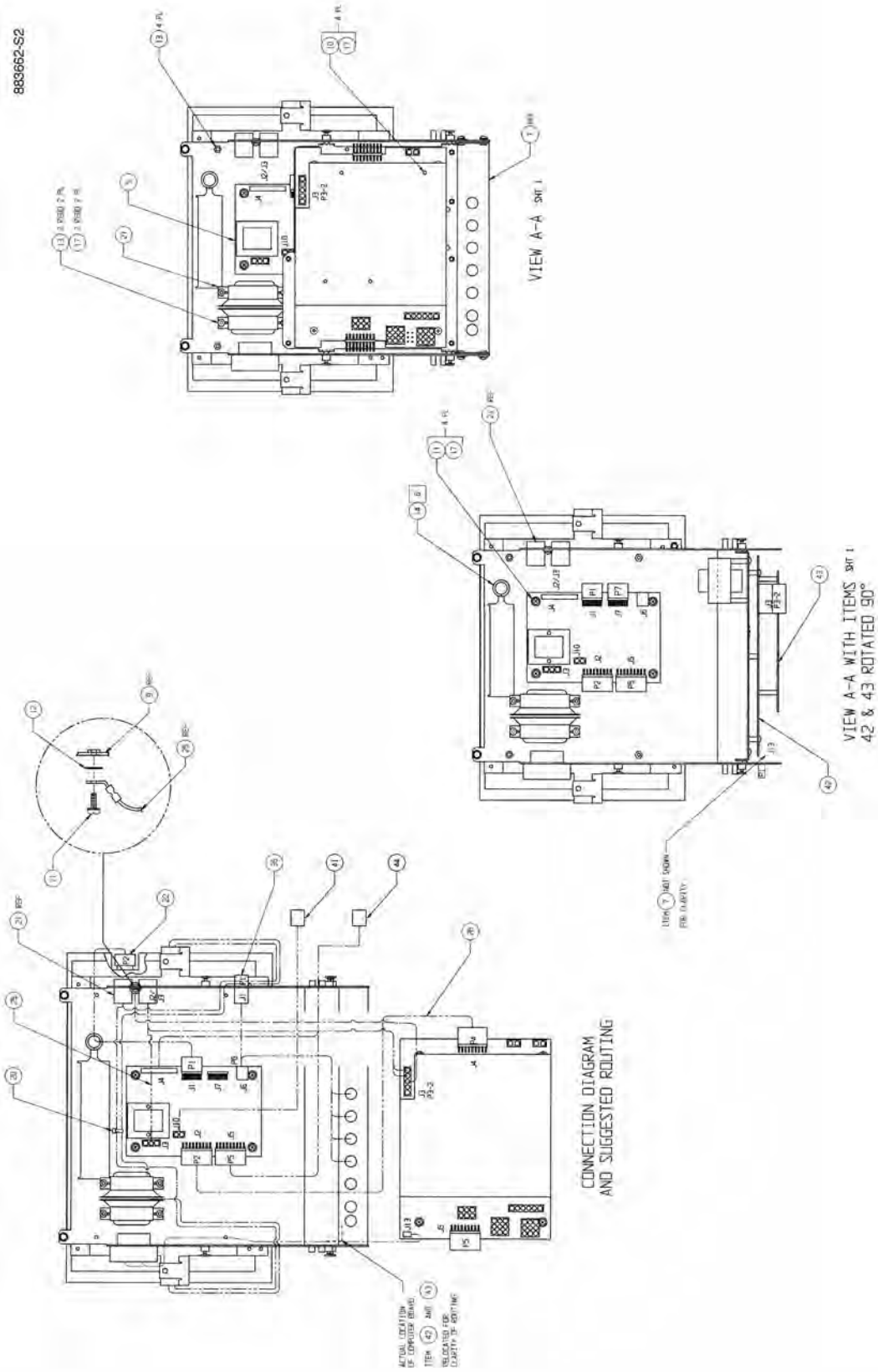


FIGURE 38. 883662-S2-CFG - DEM

**TABLE 69. 884549-001 - DEM PARTS, SIDE 1**

Item No.	Part No.	Qty.	Description
	884549-001		DEM GENERIC PARTS,SIDE 1
DWG	883662-S1 & S2-CFG	0	DEM ASSY,DWG
2	820122-005	1	SUBASSY,ANN,42 IN.,LOW PROFILE
6	881489-001	1	ASSY,BACKLIGHT DUAL 7W VISTA (SEE VISTA SHARED ASSY MANUAL PART NO. 920345)
7	880526-001	1	ASSY,FUNCTION SWITCH DEM
9	881794-001	1	BRKT,DISP ELECT MODULE
10	6030001	8	SCR 6-32X5/16 PHISPHSTZN
11	6005901	9	SCR 6-32X3/8 PHESPHSTPL
12	6012201	1	WSHR LK #6 ETLWMDSSPA
13	6019401	9	NUT 6-32 KPNTSPSTZN
16	6005902	4	SCR 6-32X1/2 PHESPHSTPL
17	6010701	16	WSHR #6 .156X.312X.032 FWSSPA
18	000-918072-000	2	FASTENER 1/4 TURN SNAP-IN STUD
19	5055901	2	BUSHING NY BLK .625 HOLE,.5IDX.250H
20	5008601	1	TIE WRAP 4"L 3/4"-MAX BUNDLE
22	883566-001	1	CABLE ASSY,V+ VISTA DISPLAY
25	880562-001	1	ASSY,CABLE LINE VOLTAGE
26	880565-001	1	CABLE ASSY,DISPLAY,12 IN
35	880695-001	1	ASSY,CABLE STOP SWITCH JUMPER PLUG
36	5057301	3	CLAMP,CABLE ADHES .5X1.0X.25 DIA MX
40	883632-001	0	INTERCONNECTION DIAGRAM,DEM,V+

**TABLE 70. 884550-001 - DEM PARTS, SIDE 2**

Item No.	Part No.	Qty.	Description
	884550-001		DEM GENERIC PARTS,SIDE 2
DWG	883662-S1 & S2-CFG	0	DEM ASSY,DWG
6	881489-001	1	ASSY,BACKLIGHT DUAL 7W VISTA (SEE VISTA SHARED ASSY MANUAL PART NO. 920345)
7	880526-001	1	ASSY,FUNCTION SWITCH DEM
9	881794-001	1	BRKT,DISP ELECT MODULE
10	6030001	4	SCR 6-32X5/16 PHISPHSTZN
11	6005901	9	SCR 6-32X3/8 PHESPHSTPL
12	6012201	2	WSHR LK #6 ETLWMDSSPA
13	6019401	9	NUT 6-32 KPNTSPSTZN
16	6005902	4	SCR 6-32X1/2 PHESPHSTPL
17	6010701	12	WSHR #6 .156X.312X.032 FWSSPA
18	000-918072-000	2	FASTENER 1/4 TURN SNAP-IN STUD
19	5055901	2	BUSHING NY BLK .625 HOLE,.5IDX.250H
20	5008601	1	TIE WRAP 4"L 3/4"-MAX BUNDLE
22	883566-001	1	CABLE ASSY,V+ VISTA DISPLAY
23	000-918180-000	1	TWISTLOK
27	880579-001	1	ASSY,CABLE LINE VOLTAGE
35	880695-001	1	ASSY,CABLE STOP SWITCH JUMPER PLUG
36	5057301	3	CLAMP,CABLE ADHES .5X1.0X.25 DIA MX
37	880565-002	1	CABLE ASSY,DISPLAY,47 IN
40	883632-001	0	INTERCONNECTION DIAGRAM,DEM,V+

TABLE 71. CPM 2/VISTA, CHARACTER DISPLAY, NON DES

Item No.	Part No.	Qty.	Description
NO DWG	411011-168/001		CPM DS B CD NDES USA GENE
1	882589-001	2	BEZEL,PAINTED BLACK,GD
2	883935-001	2	BEZEL DOOR,PAINTED,TBP,BK
8	886544-012	2	KYPD ASSY,CPM,19K,GENERIC
14	881163-008	2	GASKET,BACKPLATE CASH
18	881326-001	2	BACKPLATE CASH COVER V-P
29	882590-001	2	COVER,PAINTED,BLACK,GD
33	850006-001	2	CABLE OCPT/CTRL BD
41	-916545-	4	PLWA S#8-3/8LOCK RIBS T30
74	882864-002	2	DECAL,RECEIPT HERE,CITGO
78	883074-001	2	ASSY,PCB VISTA CAT ANNUN
79	6000703	2	PHMSPHSSPA SCR.#6-32 X1/4
1013	886148-001	2	CAT MODULE,GENERIC,CPM(SEE TABLE 76.)
1017	886144-001	2	CHARACTER DISPLAY,CPM(SEE TABLE 75.)
1021	886146-001	2	PRINTER DOOR ASSY,TBP(SEE TABLE 78.)
1023	886147-001	2	PIN SECURITY,NDES,CPM

TABLE 72. CPM 2/VISTA, CHARACTER DISPLAY, DES

Item No.	Part No.	Qty.	Description
NO DWG	411011-268/001		CPM DS B CD DES USA GENER
1	882589-001	2	BEZEL,PAINTED,BLACK
2	883935-001	2	BEZEL DOOR,PAINTED,TBP,BLACK
8	883251-035	2	KYPD ASSY,CPM,DTRSM,21K,GEN BYP(WP)
14	881163-008	2	GASKET,BACKPLATE CASH COVER VP
18	881326-001	2	BACKPLATE,CASH COVER VISTAPAY
29	882590-001	2	COVER,PAINTED,BLACK
41	000-916545-000	4	SCR 8X3/8 IW-AUNSTBO PLASCREW
74	882864-002	2	DECAL,RECEIPT HERE
1013	886148-001	2	CAT MODULE GENERIC,CPM (SEE TABLE 76.)
1017	886144-001	2	CHARACTER DISPLAY,CPM (SEE TABLE 75.)
1021	886146-001	2	PRINTER DOOR ASSY,TBP (SEE TABLE 78.)
1024	886147-002	2	PIN SECURITY,DES,CPM

**TABLE 73. CPM 2/VISTA, GRAPHICS DISPLAY, DES**

<b>Item No.</b>	<b>Part No.</b>	<b>Qty.</b>	<b>Description</b>
NO DWG	411016-268/001		CPM DS B GD GEN BUY DES U
1	882589-001	2	BEZEL,PAINTED BLACK,GD
2	883935-001	2	BEZEL DOOR,PAINTED,TBP,BK
8	883325-021	2	KYPD,CPM,DTRSM,DES,GENRIC
14	881163-008	2	GASKET,BACKPLATE CASH
18	881326-001	2	BACKPLATE CASH COVER V-P
29	882590-001	2	COVER,PAINTED,BLACK,GD
41	-916545-	4	PLWA S#8-3/8LOCK RIBS T30
67	886142-002	2	PCB ASSY,BEZEL CONTROL,ST
74	882864-002	2	DECAL,RECEIPT HERE,CITGO
1013	886148-001	2	CAT MODULE,GENERIC,CPM(SEE TABLE 76.)
1020	886145-001	2	GRAPHIC DISPLAY,CPM&KDC(SEE TABLE 77.)
1021	886146-001	2	PRINTER DOOR ASSY,TBP(SEE TABLE 78.)

**TABLE 74. CPM 2/VISTA, GRAPHICS DISPLAY, NON DES**

<b>Item No.</b>	<b>Part No.</b>	<b>Qty.</b>	<b>Description</b>
NO DWG	411012-168/001		CPM DS B GD NDES USA GENE
1	882589-001	2	BEZEL,PAINTED BLACK,GD
2	883935-001	2	BEZEL DOOR,PAINTED,TBP,BK
8	886544-012	2	KYPD ASSY,CPM,19K,GENERIC
14	881163-008	2	GASKET,BACKPLATE CASH
18	881326-001	2	BACKPLATE CASH COVER V-P
29	882590-001	2	COVER,PAINTED,BLACK,GD
33	850006-001	2	CABLE OCPT/CTRL BD
41	-916545-	4	PLWA S#8-3/8LOCK RIBS T30
67	882440-002	2	ASSY,PCB DSPL I/F CCFL
74	882864-002	2	DECAL,RECEIPT HERE,CITGO
78	883074-001	2	ASSY,PCB VISTA CAT ANNUN
1013	886148-001	2	CAT MODULE,GENERIC,CPM
1020	886145-001	2	GRAPHIC DISPLAY,CPM&KDC
1021	886146-001	2	PRINTER DOOR ASSY,TBP
1023	886147-001	2	PIN SECURITY,NDES,CPM

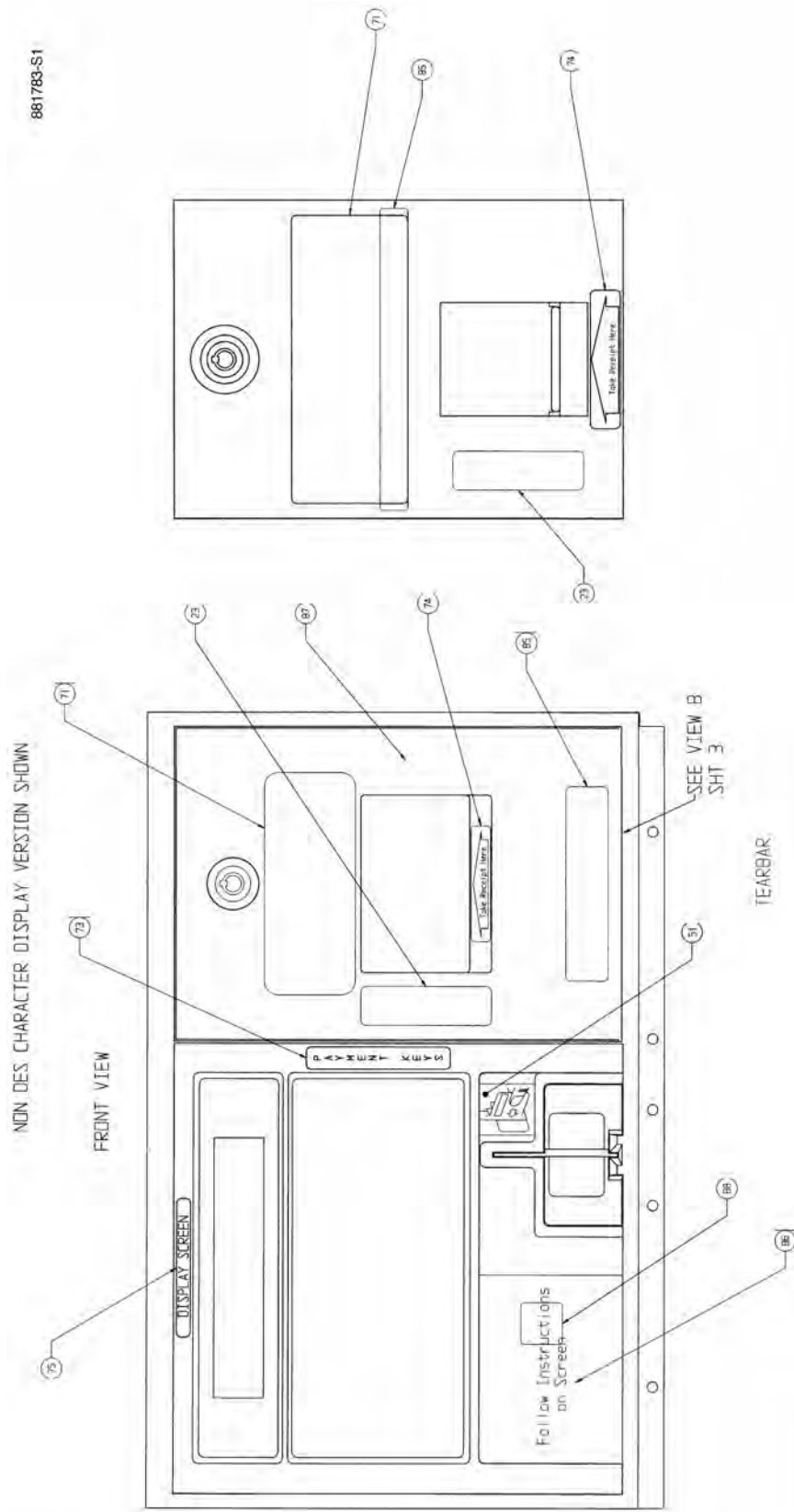


FIGURE 39. 881783-S1-CFG - CPM BEZEL ASSEMBLY





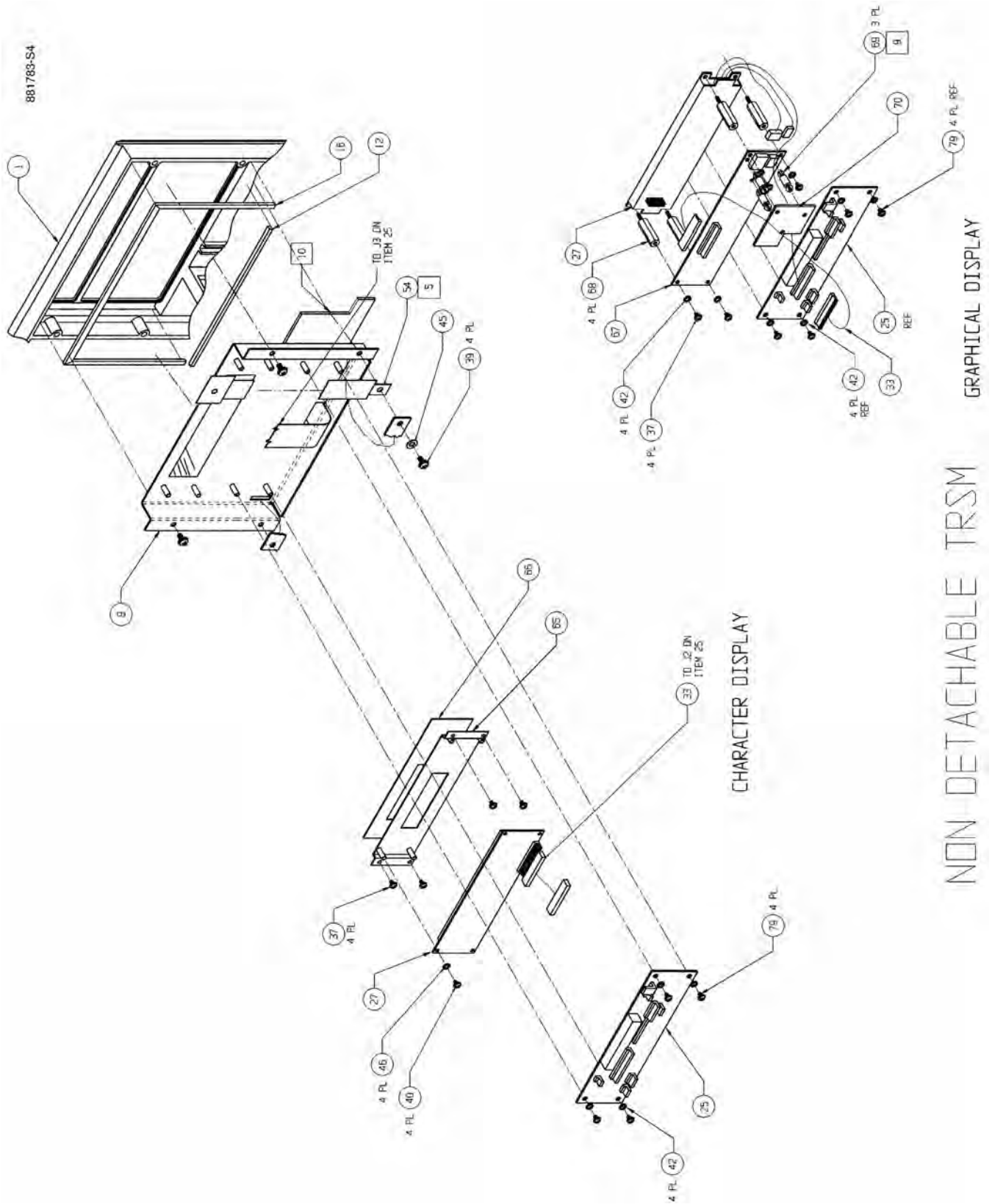


FIGURE 42. 881783-S4-CFG - CPM BEZEL ASSEMBLY

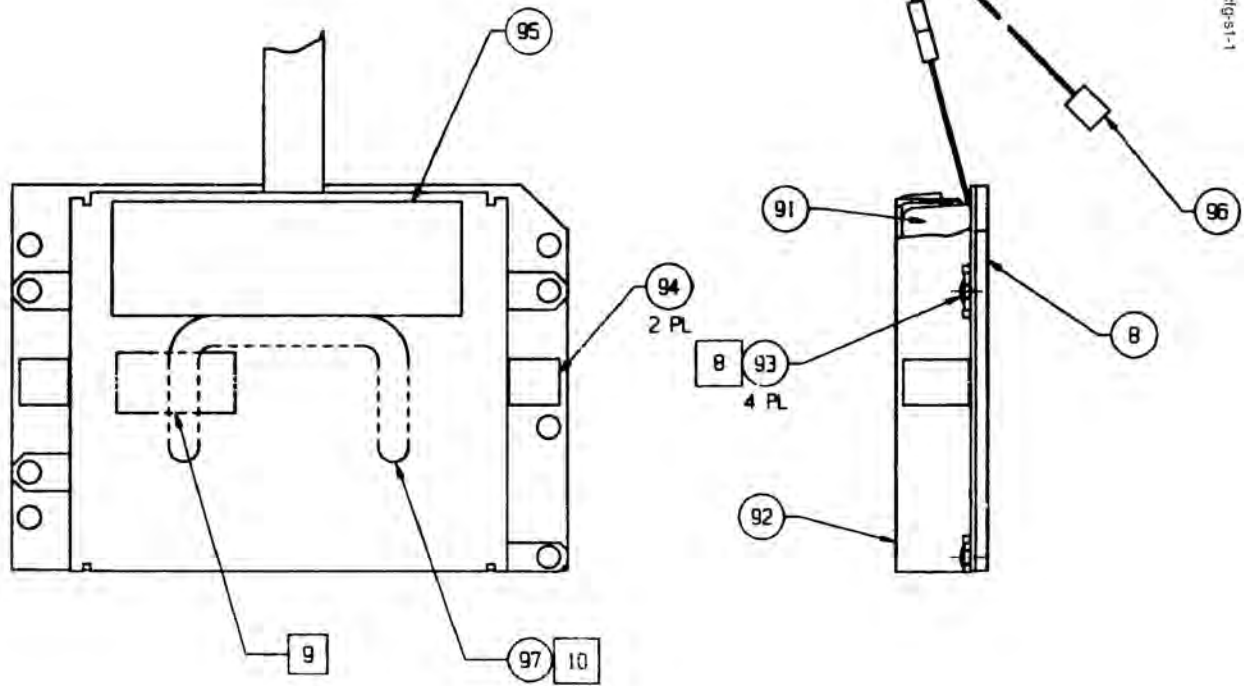
**TABLE 75. 886144-001 - CPM CHARACTER DISPLAY**

Item No.	Part No.	Qty.	Description
	886144-001		CHARACTER DISPLAY,CPM
DWG	881783-S1, S2, S3 & S4- CFG	0	BEZEL ASSY,CPM
27	880590-001	1	ASSY,DCPT LCD DSPL MODULE
37	6005901	4	SCR 6-32X3/8 PHESPHSTPL
40	6005912	4	SCR 4-40X7/16 PHESPHSTPL
46	6010302	4	WSHR #4 .125X.250X.032 FWSSPA
65	883517-001	1	ADAPTER,KDC DSPL TO CPM BRKT
66	881152-006	1	DECAL,DISPLAY SUNOCO

**TABLE 76. 886148-001 - CPM CAT MODULE**

Item No.	Part No.	Qty.	Description
	886148-001		CAT MODULE GENERIC,CPM
DWG	881783-S1, S2, S3 & S4- CFG	0	BEZEL ASSY,CPM
7	881127-001	1	ENCL,WATER RETENTION VISTAPAY
10	880452-001	1	GASKET,I/F FRAME VISTA BEZEL DCPT
11	881163-003	1	GASKET,PRINTER DOOR VISTAPAY
12	881163-004	1	GASKET,KEYPAD/LENS LOWER VISTAPAY
15	881163-010	1	GASKET,ENCLOSURE WATER RETENTION
16	881163-015	1	GASKET,KEYPAD/LENS,UPPER,VP,GD
24	882106-001	1	CARD READER,MAG,CAT
34	850350-001	1	ASSY,CABLE CARD READER (W34)
37	6005901	2	SCR 6-32X3/8 PHESPHSTPL
39	6006001	4	SCR 8-32X1/2 PHESPHSTPL
42	6010701	6	WSHR #6 .156X.312X.032 FWSSPA
43	6019401	4	NUT 6-32 KPNTSPSTZN
45	6010902	2	WSHR #8 .173X.375X.034 FWSSPA
51	882591-001	1	DECAL,CARD READER,GENERIC
61	6000607	2	SCR 4-40X1/2 PHMSPHSSPA
62	6010303	2	WSHR #4 .125X.312X.032 FWSSPA
63	6019402	2	NUT 4-40 KPNTMSSTZN
89	886440-001	1	LABEL,CUSTOMER PAYMENT MODULE





886197-S1-CFG-1-1

DES KEYPAD

FIGURE 43. 886197-S1-CFG - KDC BEZEL ASSEMBLY



**TABLE 77. 886145-001 - CPM & KDC GRAPHICS DISPLAY**

<b>Item No.</b>	<b>Part No.</b>	<b>Qty.</b>	<b>Description</b>
	886145-001		GRAPHIC DISPLAY,CPM &KDC
DWG	881783-S1, S2, S3 & S4- CFG	0	BEZEL ASSY,CPM
DWG	886197-S1 & S2-CFG	0	BEZEL ASSY,KDC,MINI
27	882852-002	1	GD ASSY W/TEMP SENSOR & HEATER
37	6005901	4	SCR 6-32X3/8 PHESPHSTPL
42	6010701	4	WSHR #6 .156X.312X.032 FWSSPA
68	5002504	4	STDF M/F .687X.250 6-32 HEX SSPA
69	882623-001	3	STDF SNAP .375XA.125/B.125 NY
70	882618-001	1	GUARD,HIGH VOLTAGE GD INTF BD



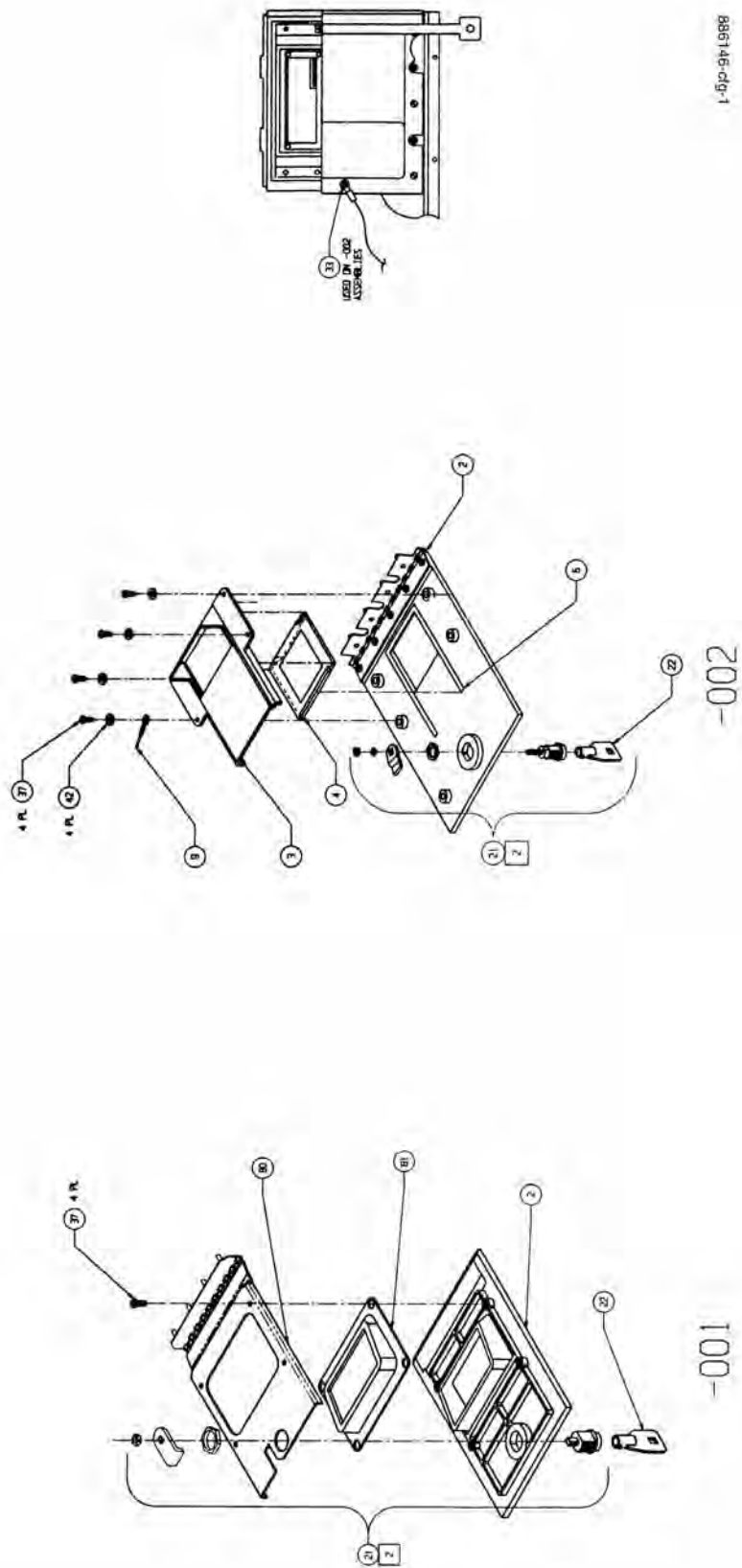


FIGURE 45. 886146-CFG - PRINTER DOOR ASSEMBLY

**TABLE 78. 886146-001 - TEAR BAR PRINTER DOOR ASSEMBLY**

<b>Item No.</b>	<b>Part No.</b>	<b>Qty.</b>	<b>Description</b>
	886146-001		PRINTER DOOR ASSY,TBP
DWG	886146-CFG		PRINTER DOOR ASSY
21	881141-001	1	LOCK,PTR DOOR 90 DEG BLK CHROM VP
22	881141-005	1	KEY,LOCK STANDARD VISTAPAY
37	6005901	4	SCR 6-32X3/8 PHESPHSTPL
80	883638-001	1	STIFFNER,BEZEL DOOR,TBP
81	883640-001	1	GASKET,BEZEL DOOR,TBP

**TABLE 79. 886146-002 - RECEIPT PRINTER DOOR ASSEMBLY**

<b>Item No.</b>	<b>Part No.</b>	<b>Qty.</b>	<b>Description</b>
	886146-002		PRINTER DOOR ASSY,RP
DWG	886146-CFG		PRINTER DOOR ASSY
3	883274-001	1	GUIDE,MOLDED RECEIPT DOOR
6	883280-001	1	GASKET,RECEIPT GUIDE
9	881038-002	1	RESTRAINT,DOOR 6.5 IN
21	881141-001	1	LOCK,PTR DOOR 90 DEG BLK CHROM VP
22	881141-005	1	KEY,LOCK STANDARD VISTAPAY
33	6030201	1	SCR 6X5/16 PHPTPHSTZN PLASTITE
37	6005901	4	SCR 6-32X3/8 PHESPHSTPL
42	6010701	4	WSHR #6 .156X.312X.032 FWSSPA

TABLE 80. PUMP HEAD 2/V390

Item No.	Part No.	Qty.	Description
NO DWG	613133-311		PMPHD V+ V390 DS NDES CD
5	883798-001	1	CERAMIC HTR/FAN,GD RDY V+ (SEE VISTA SHARED ASSY MANUAL PART NO. 920345)
23	883958-006	2	PRGMD PCB,CAT W/O CASH NDES
	883958-001	2	PRGMD PCB,CAT W/O CASH DS DES
	883958-011	2	PRGMD PCB,CAT FS SECURE
	883958-017	2	PRGMD PCB,CAT FS BARCODE
34	886209-001	2	PTR,TEARBAR,FACTORY INSTL(SEE VISTA SHARED ASSY MANUAL PART NO. 920345)
43	886275-001	1	WIRE HARNESS ASSY,W/VAC
54	883924-002	2	CABLE,TB PNTR TO OCPT BD
57	881984-003	1	HARNESS,W/VAC POWER,SD1
123	881984-004	1	HARNESS,W/VAC,POWER,SD2
202	880519-003	1	ASSY. DUAL POWER SUPPLY (SEE VISTA SHARED ASSY MANUAL PART NO. 920345)
203	880560-001	1	ASSY. CABLE SW LINE VOLT.
250	886239-001	1	UL LABEL,PMPHD 90 SERIES,
800	883905-CFG		PMPHD,GENERIC DWG,VC,90SE (SEE FIGURE 46.)
1003	886155-001	1	PMPHD GENERIC PARTS,90 SE (SEE TABLE 87.)
1013	886693-001	1	BARCODE SCANNER GENERIC (SEE TABLE 91.)
1014	820122-005	1	SUBASSY,ANN,42 IN LOW PRF

TABLE 81. PUMP HEAD 2/V390 DUAL CAT

Item No.	Part No.	Qty.	Description
NO DWG	613133-322		PMPHD V+ V390 DS DES GD 1
5	883798-002	1	CERAMIC HTR/FAN,GD DS,V+(SEE VISTA SHARED ASSY MANUAL PART NO. 920345)
23	886638-001	1	PRGMD PCB ASSY,DUAL CAT F DES
34	886209-001	2	PTR,TEARBAR,FACTORY INSTL (SEE VISTA SHARED ASSY MANUAL PART NO. 920345)
43	886642-001	1	WIRE HARNESS,DUAL CAT ANN
54	883924-002	1	CABLE,TB PNTR TO OCPT BD
55	883979-003	1	CAB;E ETJERMET RK45 P TP
57	881984-003	1	HARNESS,W/VAC POWER,SD1
123	881984-004	1	HARNESS,W/VAC,POWER,SD2
181	883924-005	1	CABLE ASSY,TB PTR TO OCPT
182	883979-005	1	CABLE ETHERNET RJ45 P TO
202	880519-003	1	ASSY. DUAL POWER SUPPLY (SEE VISTA SHARED ASSY MANUAL PART NO. 920345)
203	880560-001	1	ASSY. CABLE SW LINE VOLT.
250	886239-001	1	UL LABEL,PMPHD 90 SERIES,
800	883905-CFG		PMPHD,GENERIC DWG,VC,90SE (SEE FIGURE 46.)
1003	886155-001	1	PMPHD GENERIC PARTS,90 SE (SEE TABLE 87.)
1003	886155-002	1	PMPHD GENERIC PARTS,90, N-ENCL, D (SEE TABLE 88.)

TABLE 82. PUMP HEAD 2/V490

Item No.	Part No.	Qty.	Description
NO DWG	613144-412		PMPHD V+ V490 DS NDES GD
5	883798-002	1	CERAMIC HTR/FAN, <b>GD</b> DS, V+ (SEE VISTA SHARED ASSY MANUAL PART NO. 920345)
	883798-001	1	CERAMIC HTR/FAN, <b>GD RDY</b> V+ (SEE VISTA SHARED ASSY MANUAL PART NO. 920345)
23	883958-006	2	PRGMD PCB,CAT W/O CASH <b>NDES</b>
	883958-001	2	PRGMD PCB CAT,W/O CASH DS <b>DES</b>
	886638-001	1	PRGMD PCB ASSY, <b>DUAL</b> CAT F
	883970-011	2	PRGMD PCB ASSY,CAT FS <b>SEC</b>
34	886209-001	2	PTR,TEARBAR,FACTORY INSTL (SEE VISTA SHARED ASSY MANUAL PART NO. 920345)
43	886275-001	1	WIRE HARNESS ASSY,W/VAC
	886642-001	1	WIRE HARNESS, <b>DUAL</b> CAT ANN
54	883924-002	2	CABLE,TB PNTR TO OCPT BD
55	881524-001	2	ASSY. CABLE RND JKT 40POS
	883979-003	1	CABLE ETHERMET RK45 P TP
57	881984-003	1	HARNESS,W/VAC POWER,SD1
123	881984-004	1	HARNESS,W/VAC,POWER,SD2
181	883924-005	1	CABLE ASSY,TB PTR TO OCPT
182	883979-005	1	CABLE ETHERNET RJ45 P TO
202	880519-003	1	ASSY. DUAL POWER SUPPLY (SEE VISTA SHARED ASSY MANUAL PART NO. 920345)
203	880560-001	1	ASSY. CABLE SW LINE VOLT.
250	886239-001	1	UL LABEL,PMPHD 90 SERIES,
	886239-009	1	UL LABEL,PMPHD,VC,120V,DS
800	883905-CFG		PMPHD,GENERIC DWG,VC,90SE (SEE FIGURE 46.)
1003	886155-001	1	PMPHD GENERIC PARTS,90 SE (SEE TABLE 87.)
	886155-002	1	PMPHD GENERIC,90, <b>N-ENCL</b> ,D (SEE TABLE 88.)
1012	886361-001	1	<b>WAYNE TRAC</b> PARTS,VC,DS,90 (SEE TABLE 92.)
1014	820122-005	1	SUBASSY,ANN,42 IN LOW PRF
X001	211114-441/210	1	DEM V+ V490 120V DS SP LT

TABLE 83. PUMP HEAD 2/V590

Item No.	Part No.	Qty.	Description
NO DWG	611123-312		PMPHD V+ V590 DS NDES GD
5	883798-002	1	CERAMIC HTR/FAN,GD DS, V+ <b>GRAPHICS DISPLAY (SEE VISTA SHARED ASSY MANUAL PART NO. 920345)</b>
5	883798-001	1	CERAMIC HTR/FAN,GD RDY V+ <b>GRAPHICS DISPLAY RDY (SEE VISTA SHARED ASSY MANUAL PART NO. 920345)</b>
23	883958-006	2	PRGMD PCB,CAT W/O CASH <b>NON DES</b>
23	883958-001	2	PRGMD PCB CAT,W/O CASH <b>DS DES</b>
23	886638-001	1	PRGMD PCB ASSY, <b>DUAL CAT F</b>
23	883970-011	2	PRGMD PCB ASSY,CAT FS <b>SECURE</b>
34	886209-001	2	PTR,TEARBAR,FACTORY INSTL ( <b>SEE VISTA SHARED ASSY MANUAL PART NO. 920345</b> )
43	886275-001	1	WIRE HARNESS ASSY,W/VAC
43	886642-001	1	WIRE HARNESS, <b>DUAL CAT ANN</b>
54	883924-002	2	CABLE,TB PNTR TO OCPT BD
55	881524-001	2	ASSY. CABLE RND JKT 40POS <b>CHARACTER DISPLAY</b>
55	883979-003	1	CABLE ETHERMET RK45 P TP <b>GRAPHICS DISPLAY</b>
57	881984-003	1	HARNESS,W/VAC POWER,SD1
123	881984-004	1	HARNESS,W/VAC,POWER,SD2
181	883924-005	1	CABLE ASSY,TB PTR TO OCPT <b>GRAPHICS DISPLAY</b>
182	883979-005	1	CABLE ETHERNET RJ45 P TO <b>GRAPHICS DISPLAY</b>
202	880519-003	1	ASSY. DUAL POWER SUPPLY ( <b>SEE VISTA SHARED ASSY MANUAL PART NO. 920345</b> )
203	880560-001	1	ASSY. CABLE SW LINE VOLT.
250	886239-001	1	UL LABEL,PMPHD 90 SERIES,
800	883905-CFG		PMPHD,GENERIC DWG,VC,90SE ( <b>SEE FIGURE 46.</b> )
1003	886155-001	1	PMPHD GENERIC PARTS,90 SE ( <b>SEE TABLE 87.</b> )
1003	886155-002	1	PMPHD GENERIC,90,N-ENCL,D <b>NEW ENCLOSURE (SEE TABLE 88.)</b>
1014	820122-005	1	SUBASSY,ANN,42 IN LOW PRF
X001	212112-331/710	1	DEM V+ V590 120V DS SP LT

TABLE 84. PUMP HEAD ASSEMBLY 2/V590/U

Item No.	Part No.	Qty.	Description
NO DWG	611321-311		PMPHD V+ V590U DS NDES CD
5	883798-002	1	CERAMIC HTR/FAN,GD DS,V+ <b>GRAPHICS DISPLAY (SEE VISTA SHARED ASSY MANUAL PART NO. 920345)</b>
5	883798-001	1	CERAMIC HTR/FAN,GD RDY V+ <b>GRAPHICS DISPLAY RDY (SEE VISTA SHARED ASSY MANUAL PART NO. 920345)</b>
23	883958-006	2	PRGMD PCB,CAT W/O CASH <b>NON DES</b>
23	883958-001	2	PRGMD PCB CAT,W/O CASH DS <b>DES AND DES RDY</b>
23	886638-001	1	PRGMD PCB ASSY,DUAL CAT F <b>DUAL CAT</b>
23	883970-011	2	PRGMD PCB ASSY,CAT FS <b>SECURE GD</b>
23	883970-017	2	PRGMD PCB,CAT FS <b>BARCODE</b>
34	886209-001	2	PTR,TEARBAR,FACTORY INSTL ( <b>SEE VISTA SHARED ASSY MANUAL PART NO. 920345</b> )
43	886275-001	1	WIRE HARNESS ASSY,W/VAC
43	886642-001	1	WIRE HARNESS,DUAL CAT ANN <b>DUAL CAT</b>
54	883924-002	2	CABLE,TB PNTR TO OCPT BD
55	881524-001	2	ASSY. CABLE RND JKT 40POS <b>GRAPHICS DISPLAY RDY</b>
55	883979-003	1	CABLE ETHERMET RK45 P TP <b>GRAPHICS DISPLAY</b>
57	881984-003	1	HARNESS,W/VAC POWER,SD1 <b>W/VAC</b>
123	881984-004	1	HARNESS,W/VAC,POWER,SD2 <b>W/VAC</b>
181	883924-005	1	CABLE ASSY,TB PTR TO OCPT <b>GRAPHICS DISPLAY</b>
182	883979-005	1	CABLE ETHERNET RJ45 P TO <b>GRAPHICS DISPLAY</b>
202	880519-003	1	ASSY. DUAL POWER SUPPLY ( <b>SEE VISTA SHARED ASSY MANUAL PART NO. 920345</b> )
203	880560-001	1	ASSY. CABLE SW LINE VOLT.
203	880560-002	1	ASSY. CABLE <b>SINGLE SIDED</b>
250	886239-001	1	UL LABEL,PMPHD 90 SERIES,
800	883905-CFG		PMPHD,GENERIC DWG,VC,90SE ( <b>SEE FIGURE 46.</b> )
1002	886154-001	1	PMPHD GENERIC PARTS,90 SE <b>SINGLE SIDED DES</b>
1002	886154-002	1	PMPHD,GENERIC,90,N-ENCL,S <b>SINGLE SIDED</b>
1003	886155-001	1	PMPHD GENERIC PARTS,90 SE ( <b>SEE TABLE 87.</b> )
1003	886155-002	1	PMPHD GENERIC,90,N-ENCL,D <b>NEW ENCLOSURE (SEE TABLE 88.)</b>
1012	886361-001	1	WAYNE TRAC PARTS,VC,DS,90 <b>WAYNE TRAC</b>
1013	886693-001	1	BARCODE SCANNER GENERIC <b>BARCODE (SEE TABLE 91.)</b>
1014	820122-005	1	SUBASSY,ANN,42 IN LOW PRF <b>CHARACTER DISPLAY</b>
X001	212122-131/710	1	DEM V+ V590U 120V DS SP P
X001	212122-161/710	1	DEM V+ V590U 120V DS SP P <b>BARCODE</b>

**TABLE 85. PUMP HEAD ASSEMBLY 2/V591**

<b>Item No.</b>	<b>Part No.</b>	<b>Qty.</b>	<b>Description</b>
NO DWG	711334-452		PMPHD V+ V591 DS DC DES G
5	883798-002	1	CERAMIC HTR/FAN,GD DS,V+
23	886638-001	1	PRGMD PCB ASSY,DUAL CAT F
34	886209-001	2	PTR,TEARBAR,FACTORY INSTL
43	886642-001	1	WIRE HARNESS,DUAL CAT ANN
54	883924-002	1	CABLE,TB PNTR TO OCPT BD
55	883979-003	1	CABLE ETHERMET RK45 P TP
57	881984-003	1	HARNESS,W/VAC POWER,SD1
123	881984-004	1	HARNESS,W/VAC.POWER,SD2
181	883924-005	1	CABLE ASSY,TB PTR TO OCPT
182	883979-005	1	CABLE ETHERNET RJ45 P TO
202	880519-003	1	ASSY. DUAL POWER SUPPLY
203	880560-001	1	ASSY. CABLE SW LINE VOLT.
250	886239-005	1	UL LABEL,PMPHD,VC,120V,DS
800	883905-CFG		PMPHD,GENERIC DWG,VC,90SE
1003	886155-002	1	PMPHD GENERIC,90,N-ENCL,D
X001	212123-441/410	1	DEM V+ V591 120V DS SP PT

TABLE 86. PUMP HEAD 2/V595

Item No.	Part No.	Qty.	Description
NO DWG	611332-442		PMPHD V+ V395-4 DS SCD GD SH
5	883798-002	1	CERAMIC HTR/FAN, <b>GD</b> DS,V+
5	883798-001	1	CERAMIC HTR/FAN, <b>GD RDY</b> V+
23	883970-011	2	PRGMD PCB ASSY,CAT FS <b>SECURE</b>
	886638-001	1	PRGMD PCB ASSY, <b>DUAL</b> CAT F
	883958-006	2	PRGMD PCB,CAT <b>W/O CASH</b>
	883958-001	2	PRGMD PCB CAT, <b>W/O CASH DS</b>
34	886209-001	2	PTR,TEARBAR,FACTORY INSTL
43	886275-001	1	WIRE HARNESS ASSY, <b>W/VAC</b>
	886642-001	1	WIRE HARNESS, <b>DUAL</b> CAT ANN
54	883924-002	2	CABLE,TB PNTR TO OCPT BD
55	881524-001	2	ASSY. CABLE RND JKT 40POS
	883979-003	1	CABLE ETHERMET RK45 P TP
57	881984-003	1	HARNESS, <b>W/VAC</b> POWER,SD1
123	881984-004	1	HARNESS, <b>W/VAC</b> .POWER,SD2
181	883924-005	1	CABLE ASSY,TB PTR TO OCPT
182	883979-005	1	CABLE ETHERNET RJ45 P TO
202	880519-003	1	ASSY. DUAL POWER SUPPLY
203	880560-001	1	ASSY. CABLE SW LINE VOLT.
	880560-002	1	ASSY. CABLE
250	886239-001	1	UL LABEL,PMPHD 90 SERIES,
	886239-009	1	UL LABEL,PMPHD,VC,120V,DS
800	883905-CFG		PMPHD,GENERIC DWG,VC,90SE
1002	886154-001	1	PMPHD GENERIC PARTS,90 SE
	886154-002	1	PMPHD,GENERIC,90, <b>N-ENCL,S SINGLE SIDE</b>
1003	886155-001	1	PMPHD GENERIC PARTS,90 SE
	886155-002	1	PMPHD GENERIC,90, <b>N-ENCL,D</b>
1011	886360-001	1	<b>WAYNE TRAC</b> PTS,VC,SS,90 <b>SINGLE SIDE</b>
1012	886361-001	1	<b>WAYNE TRAC</b> PARTS,VC,DS,90
1014	820122-005	1	SUBASSY,ANN,42 IN LOW PRF
X001	212123-241/410	1	DEM V+ V395-4 120V DS SP
X001	214123-251/010	1	DEM V+ V395-5 120V SS SP <b>SINGLE SIDE</b>
X001	212122-141/110	1	DEM V+ V585-4 120V DS SP
X001	212122-151/010	1	DEM V+ V585-5 120V DS SP



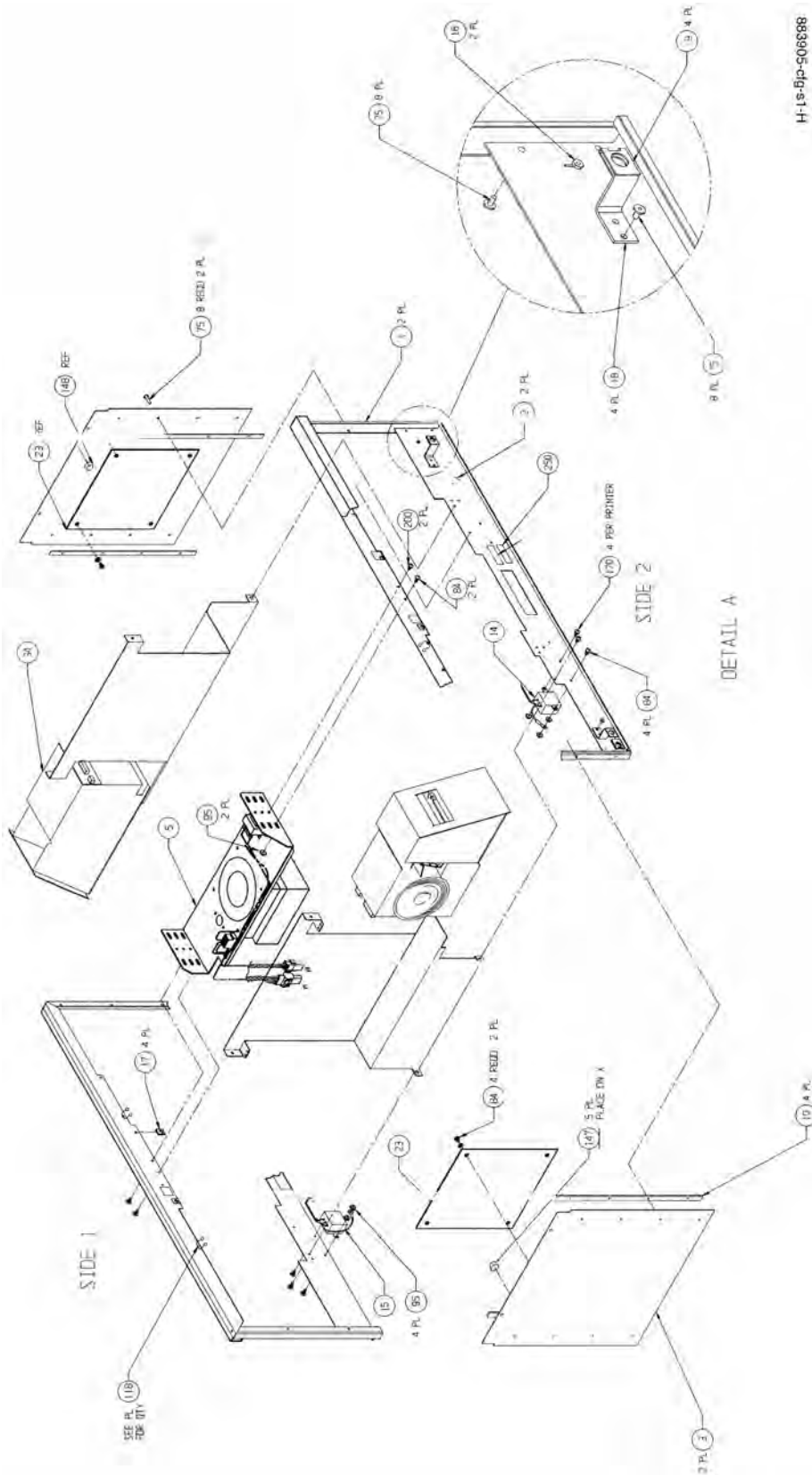


FIGURE 46. 883905-S1-CFG - PUMP HEAD SUBASSEMBLY VISTA CARD





**TABLE 87. 886155-001 - PUMP HEAD SUBASSEMBLY, 90 SERIES, VISTA CARD**

<b>Item No.</b>	<b>Part No.</b>	<b>Qty.</b>	<b>Description</b>
	886155-001		PMPHD SUBASSY,GENERIC,90 SER,VC,DS
DWG	883905-S1,S2 & S4-CFG	0	PMPHD SUBASSY,GENERIC DWG,VC,90 SER
1	002-047577-000	2	FRAME, ELECTRONIC HEAD
2	002-047542-000	2	BASE ANGLE
3	884510-001	2	END SHEALTH,90 SERIES
10	002-039938-000	4	GASKET,ELECT HD ASSEMBLY
14	003-039974-000	1	ASSY,FILTER POWER
15	001-039974-000	1	ASSY,FILTER LIGHTS
16	870048-001	2	ASSY,CONNECTOR BANANA JACK
17	000-918076-000	4	CLIP
18	000-129810-000	4	SUPPORT,BEZEL FASTENER
19	000-918391-003	4	RECEPT,CLIP-ON CAPTIVE SCR FASTENER
45	881351-001	1	ASSY,CABLE VAC/EMI ADAPTOR VISTAPAY
64	5006904	0	CABLE CLAMP AL W/VINYL 3/8"D
75	000-918286-000	32	RIVET MNOBLT 3/16DIA X .406L ST/ST
84	6005909	16	SCR 8-32X3/8 PHESPHSTPL
95	6019403	8	NUT 8-32 KPNTMSSTZN
113	880580-001	1	ASSY,CABLE HTR/FAN OUTPUT VISTA
118	000-918197-000	0	TWISTLOK PRESS-IN
124	881522-001	0	I/CONN DIAG 90 SER DUAL SIDE VCARD
127	5008601	0	TIE WRAP 4"L 3/4"-MAX BUNDLE
147	884586-002	10	BUMPER BUMPON 3M .31X.63 SJ-5027
170	6032301	8	SCR 8X3/8 PH-BPHSTZN
200	884073-004	2	SCR 6X3/8 PH-BPHSTZN

**TABLE 88. 886155-002 - PUMP HEAD SUBASSEMBLY 90 SERIES, NEW ENCLOSURE**

Item No.	Part No.	Qty.	Description
	886155-002		PMPHD SUBASSY,GENERIC,90,N-ENCL,DS
DWG	883905-S1,S2 & S4-CFG	0	PMPHD SUBASSY,GENERIC DWG,VC,90 SER
1	001-047948-000	1	ENCLOSURE,HEAD
2	001-047949-000	2	ANGLE,BASE
14	003-039974-000	1	ASSY,FILTER POWER
15	001-039974-000	1	ASSY,FILTER LIGHTS
16	870048-001	2	ASSY,CONNECTOR BANANA JACK
17	000-918076-000	4	CLIP
45	881351-001	1	ASSY,CABLE VAC/EMI ADAPTOR VISTAPAY
64	5006904	0	CABLE CLAMP AL W/VINYL 3/8"D
75	000-918286-000	12	RIVET MNOBLT 3/16DIA X .406L ST/ST
78	6005901	4	SCR 6-32X3/8 PHESPHSTPL
84	6006001	24	SCR 8-32X1/2 PHESPHSTPL
91	6010901	6	WSHR #8 .171X.375X.032 FWSSPA
95	6019403	10	NUT 8-32 KPNTMSSTZN
113	880580-001	1	ASSY,CABLE HTR/FAN OUTPUT VISTA
118	000-918197-000	0	TWISTLOK PRESS-IN
124	881522-001	0	I/CONN DIAG 90 SER DUAL SIDE VCARD
127	5008601	16	TIE WRAP 4"L 3/4"-MAX BUNDLE
130	000-918066-000	6	CLAMP,MOUNTING
131	000-918379-000	2	NUT 6-32 KPNTSPSTZN
145	6005910	2	SCR 6-32X1/4 PHESPHSTPL
147	884586-002	10	BUMPER BUMPON 3M .31X.63 SJ-5027
148	886068-002	10	SCR 8 32X1/4 PHESPHSTPL
170	6016201	8	SCR 8X1/4 PH-APHSTPL
200	884073-004	4	SCR 6X3/8 PH-BPHSTZN

**TABLE 89. 886154-001 - PUMP HEAD SUBASSEMBLY, 90 SERIES, VISTA CARD, SINGLE SIDED**

Item No.	Part No.	Qty.	Description
	886154-001		PMPHD SUBASSY,GENERIC,90 SER,VC,SS
DWG	883905-S1, S2 & S4-CFG	0	PMPHD SUBASSY,GENERIC DWG,VC,90 SER
1	002-047577-000	2	FRAME, ELECTRONIC HEAD
2	002-047542-000	2	BASE ANGLE
3	884510-001	2	END SHEALTH,90 SERIES
10	002-039938-000	4	GASKET,ELECT HD ASSEMBLY
14	003-039974-000	1	ASSY,FILTER POWER
15	001-039974-000	1	ASSY,FILTER LIGHTS
16	870048-001	2	ASSY,CONNECTOR BANANA JACK
17	000-918076-000	4	CLIP
18	000-129810-000	4	SUPPORT,BEZEL FASTENER
19	000-918391-003	4	RECEPT,CLIP-ON CAPTIVE SCR FASTENER
45	881351-001	1	ASSY,CABLE VAC/EMI ADAPTOR VISTAPAY
64	5006904	0	CABLE CLAMP AL W/VINYL 3/8"D
75	000-918286-000	32	RIVET MNOBLT 3/16DIA X .406L ST/ST
78	6005901	4	SCR 6-32X3/8 PHESPHSTPL
84	6005909	0	SCR 8-32X3/8 PHESPHSTPL
90	000-918072-000	2	FASTENER 1/4 TURN SNAP-IN STUD
95	6019403	6	NUT 8-32 KPNTMSSTZN
101	881794-001	1	BRKT,DISP ELECT MODULE
118	000-918197-000	0	TWISTLOK PRESS-IN
124	881682-001	0	I/CONN DIAG,90 SER SGL SIDED VCARD
127	5008601	0	TIE WRAP 4"L 3/4"-MAX BUNDLE
130	000-918066-000	0	CLAMP,MOUNTING
147	884586-003	0	BUMPER,.70 DIA X .38 H CLEAR
170	6032301	8	SCR 8X3/8 PH-BPHSTZN
181	000-916841-000	1	CONN HSG SKT 8POS LOC WIR-HDR
182	4009305	1	CONN HSG SKT 6POS LOC WIR-HDR

**TABLE 90. PUMP HEAD SUBASSEMBLY, 90 SERIES, NEW ENCLOSURE, SINGLE SIDED**

<b>Item No.</b>	<b>Part No.</b>	<b>Qty.</b>	<b>Description</b>
	886154-002		PMPHD SUBASSY,GENERIC,90,N-ENCL,SS
DWG	883905-CFG	0	PMPHD SUBASSY,GENERIC DWG,VC,90 SER
1	001-047948-000	1	ENCLOSURE HEAD,VISTA
2	001-047949-000	2	ANGLE,BASE
14	003-039974-000	1	ASSY,FILTER POWER
15	001-039974-000	1	ASSY,FILTER LIGHTS
16	870048-001	2	ASSY,CONNECTOR BANANA JACK
17	000-918076-000	4	CLIP
45	881351-001	1	ASSY,CABLE VAC/EMI ADAPTOR VISTAPAY
75	000-918286-000	8	RIVET MNOBLT 3/16DIA X .406L ST/ST
78	6005901	4	SCR 6-32X3/8 PHESPHSTPL
84	6005909	0	SCR 8-32X3/8 PHESPHSTPL
90	000-918072-000	2	FASTENER 1/4 TURN SNAP-IN STUD
95	6019403	6	NUT 8-32 KPNTMSSTZN
101	881794-001	1	BRKT,DISP ELECT MODULE
118	000-918197-000	0	TWISTLOK PRESS-IN
124	881682-001	0	I/CONN DIAG,90 SER SGL SIDED VCARD
127	5008601	0	TIE WRAP 4"L 3/4"-MAX BUNDLE
130	000-918066-000	0	CLAMP,MOUNTING
147	884586-003	0	BUMPER,.70 DIA X .38 H CLEAR
170	6032301	8	SCR 8X3/8 PH-BPHSTZN

**TABLE 91. 886693-001 - BAR CODE SCANNER 90 SERIES, GENERIC**

Item No.	Part No.	Qty.	Description
	886693-001		BARCODE SCANNER GENERIC PARTS
DWG	883905-S1, S2 & S4-CFG	0	PMPHD SUBASSY,GENERIC DWG,VC,90 SER
351	886566-001	1	POWER SUPPLY,40W,TRIPLE OUTPUT
352	886577-001	1	CABLE ASSY,POWER,BARCODE
353	886580-001	1	CABLE ASSY,INPUT POWER,BARCODE
354	886578-001	1	CABLE ASSY,BARCODE TEC
355	5002302	4	STDF M/F .500X.250 6-32 HEX SSUN
356	6019401	4	NUT 6-32 KPNTSPSTZN
357	6005901	4	SCR 6-32X3/8 PHESPHSTPL
358	886880-001	2	CABLE ASSY,LTBD TO CAT,JUMPER,BC
359	886600-001	2	CABLE ASSY,LT BD PWR,BARCODE

**TABLE 92. 883661-001 - WAYNE TRAC 90 SERIES, VISTA CARD**

Item No.	Part No.	Qty.	Description
	886361-001		WAYNE TRAC PARTS,VC,DS,90 SERIES
DWG	883905-S1, S2 & S4-CFG	0	PMPHD SUBASSY,GENERIC DWG,VC,90 SER
94	6019401	3	NUT 6-32 KPNTSPSTZN
149	6001802	3	SCR 6-32X3/8 FLMSPHSSPA
150	5002001	3	STDF M/F 1.000X.250 6-32 HEX ALUN
151	886251-002	1	POWER HARNESS,DS,CID
152	886038-001	1	POWER DIST ASSY,WAYNE TRAC
153	886070-002	1	DCB/UHF RECIEVER ASSEMBLY
154	886020-001	1	CARRIER BOARD/RFM ASSY
155	886032-002	1	CABLE ASSY,CID DCB TO RF MOD,16IN
156	884366-003	1	DECAL,FCC,WAYNE TRAC,LUHF,COMP
157	886005-001	1	CABLE ASSY,POWER TO INTCON
158	886011-001	1	CABLE ASSY PRNTR PWR CAPS TO INTCON
159	886015-002	1	CABLE ASSY,DCB ADDRESS,28 IN
161	886302-001	1	CABLE ASSY,R/F TUNING PCB,SIDE 1
164	6000610	4	SCR 4-40X3/4 PHMSPHSSPA
171	886302-002	1	CABLE ASSY,R/F TUNING PCB,SIDE 2
175	886451-001	1	RF/MODULE CARRIER BRKT
176	6005901	1	SCR 6-32X3/8 PHESPHSTPL
177	886373-001	0	CID II DISP BLK DIAG FCTY INSTL
200	6032301	2	SCR 8X3/8 PH-BPHSTZN

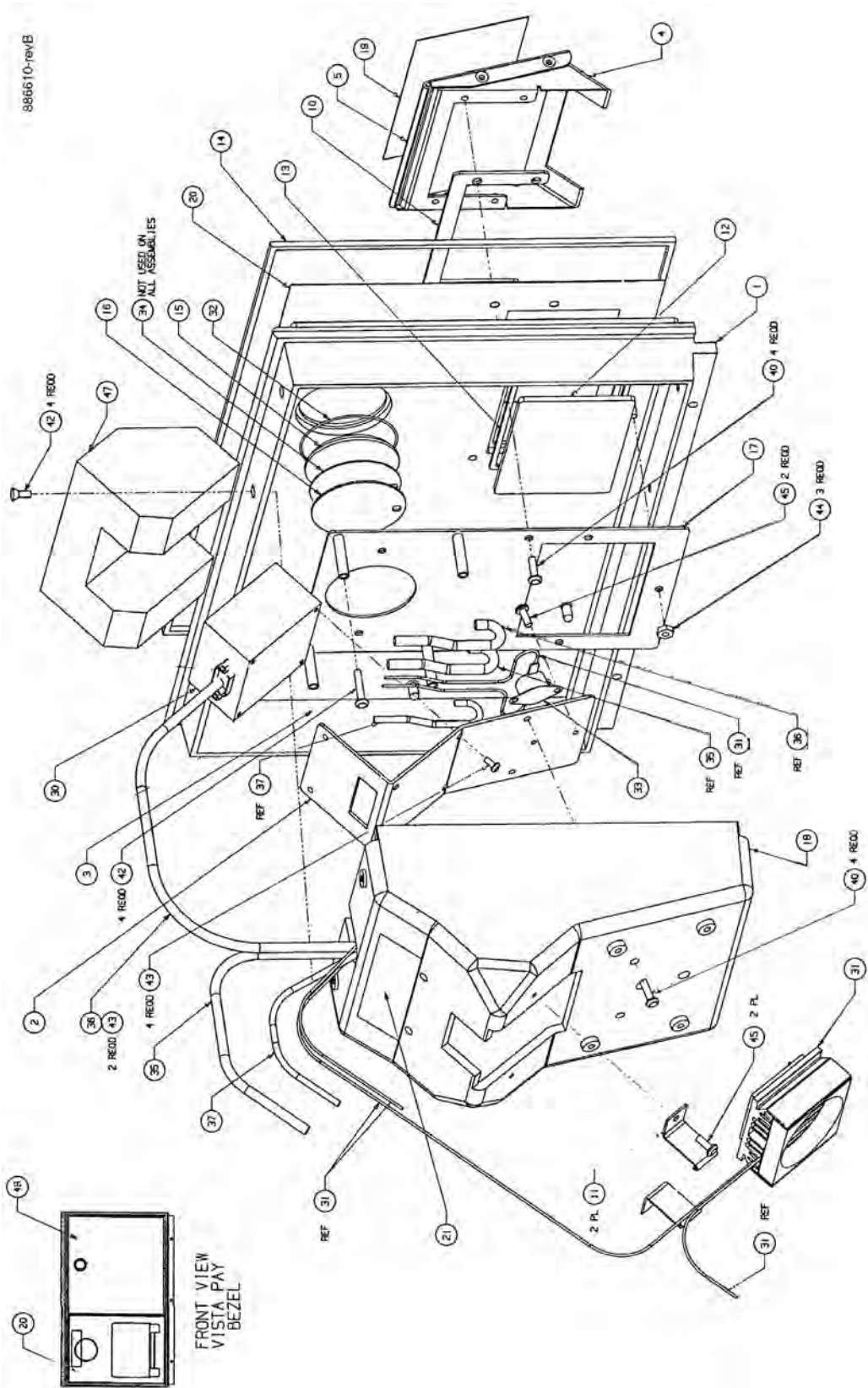
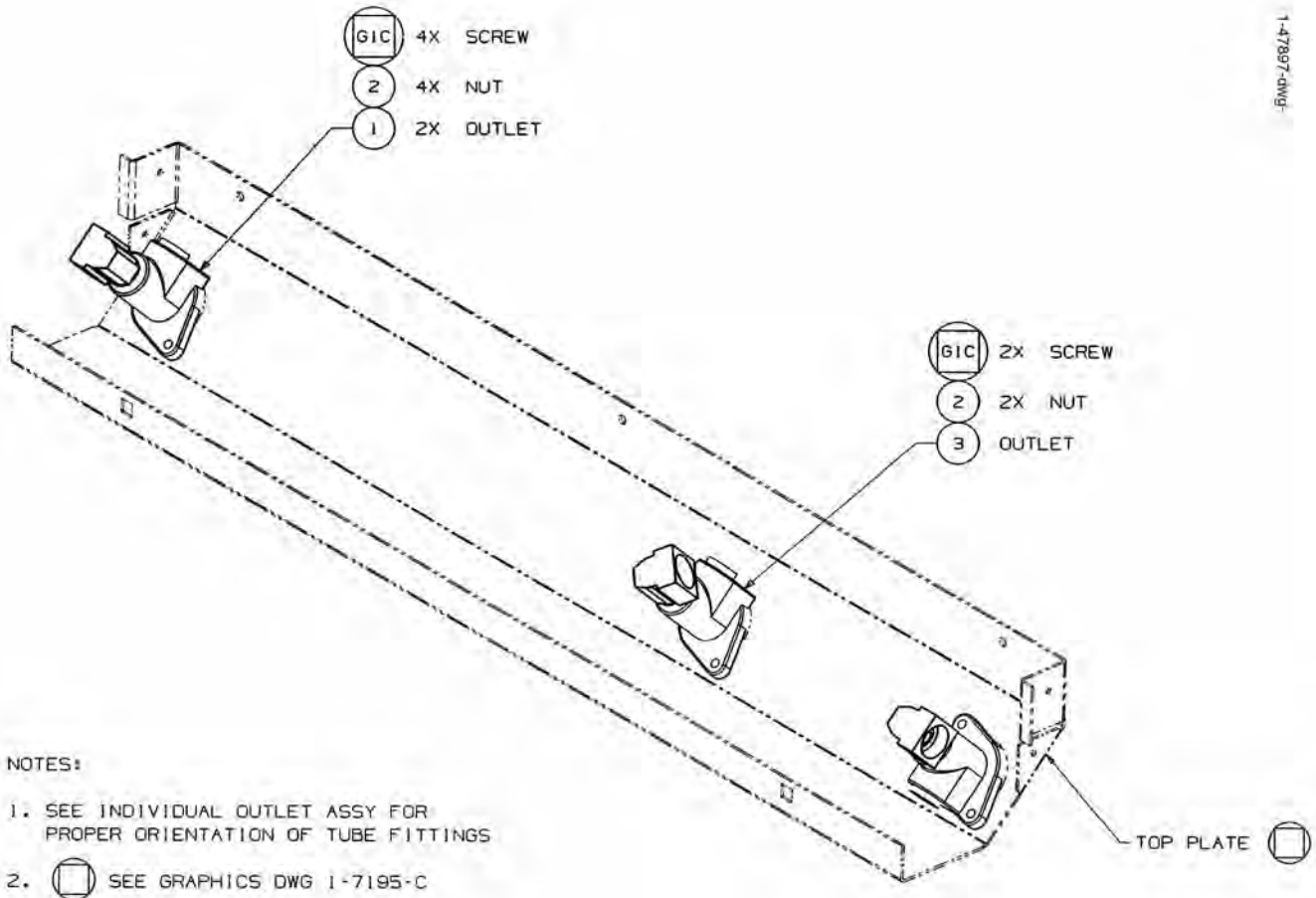


FIGURE 49. 886610 - BAR CODE SCANNER BEZEL MODULE

TABLE 93. 886610 - BAR CODE SCANNER BEZEL MODULE

Item No.	Part No.	Qty.	Description
DWG	886610-		BC SCNR BEZEL MOD
1	886554-001	1	BEZEL,BARCODE MODIFY
	881035-051	1	BEZEL ASSY,ACS,VPAY,BLACK <b>STD</b>
2	886555-001	1	BRACKET,BARCODE MOUNTING
3	886537-001	1	PCB ASSY,LITE/BARCODE SCANNER
4	886556-001	1	BRACKET,FRONT COVER BASE,BARCODE
5	886557-001	1	BRACKET FRONT COVER TOP,BARCODE
10	886565-001	1	FRONT COVER GASKET,BARCODE
11	886669-001	2	RETAINER CLIP,HEAT SINK,BARCODE
12	886559-001	1	GLASS,BARCODE
13	886560-001	1	GASKET,GLASS,BARCODE
14	880452-001	1	GASKET,I/F FRAME VISTA BEZEL DCPT
15	886561-001	1	LENS,BARCODE
16	886562-001	1	LENS DIFFUSER,BARCODE
17	886563-001	1	RETAINER BRACKET,BARCODE
18	886553-001	1	ENCLOSURE,BARCODE SCANNER
19	886570-001	1	DECAL,BARCODE INSTRUC,SMALL, <b>SAMS</b>
	886570-003	1	DECAL,BARCODE,INSTRUCT,SMALL, <b>BJS</b>
	886570-002	1	DECAL,BARCODE INSTRUC,SMALL, <b>STD</b>
20	886569-001	1	DECAL,BARCODE INSTRUCT,LARGE, <b>SAMS</b>
	886569-003	1	DECAL,BARCODE,INSTRUCT,LARGE, <b>BJS</b>
	886928-001	1	DECAL,BARCODE,VPAY,LEFT, <b>STD</b>
	886569-005	1	DECAL,BARCODE INSTR,LG, <b>RANDALLS</b>
	886569-004	1	DECAL,BARCODE INSTRUCT,LARGE, <b>TTHUMB</b>
	886569-002	1	DECAL,BARCODE,INSTRUCT,LARGE, <b>STD</b>
21	886668-001	1	DECAL,IF DISCONNECTED,BC
30	886230-001	1	SCANNER,BAR CODE,DISPENSER
31	886579-001	1	THERMOELECTRIC COOLER MODULE ASSY
32	884242-005	1	O-RING,2" OD X 1/16" DIA
33	886567-001	1	THERMOSTAT,NORM OPEN 120F
35	886575-001	1	CABLE ASSY,BARCODE LT BD TO CAT
36	886574-001	1	CABLE ASSY,BARCODE SCANNER TO LT BD
37	886879-001	1	CABLE ASSY,LITE BD,BARCODE
40	6005902	12	SCR 6-32X1/2 PHESPHSTPL
42	6001802	4	SCR 6-32X3/8 FLMSPHSSPA
43	882956-003	6	SCR 4-40 X 1/4 PHESPHSTZN
44	6019401	3	NUT 6-32 KPNTSPSTZN
45	884073-004	4	SCR 6X3/8 PH-BPHSTZN
47	886697-001	1	FOAM COVER,BARCODE SCANNER

1-47897-DWG



NOTES:

1. SEE INDIVIDUAL OUTLET ASSY FOR PROPER ORIENTATION OF TUBE FITTINGS
2. (□) SEE GRAPHICS DWG 1-7195-C

FIGURE 50. 1-47897-DWG - TOP MODULE, 2/V390 NON-VAPOR RECOVERY

TABLE 94. 1-47897 - TOP MODULE, 2/V390 NON-VAPOR RECOVERY

Item No.	Part No.	Qty.	Description
	001-047897-		MOD, TOP, 2/V390 NON VAPOR
DWG	001-007195-00C		GUIDE, GRAPHICS PLACEMENT (SEE FIGURE 2.)
DWG	001-047897-DWG		MOD, TOP, 2/V390 NON VAPOR
	-SP-260-		SEALING POLYPROP. WASHER
1	058-300790-	2	OUTLET & FITTING, ASSY (SEE VISTA SHARED ASSY MANUAL PART NO. 920345)
2	-513317-	6	LOCK N1/4-20 TENSIL ZN
3	060-300790-	1	OUTLET, NONVAP RCVY, 2/V390 (SEE VISTA SHARED ASSY MANUAL PART NO. 920345)

3-47897-dwg-

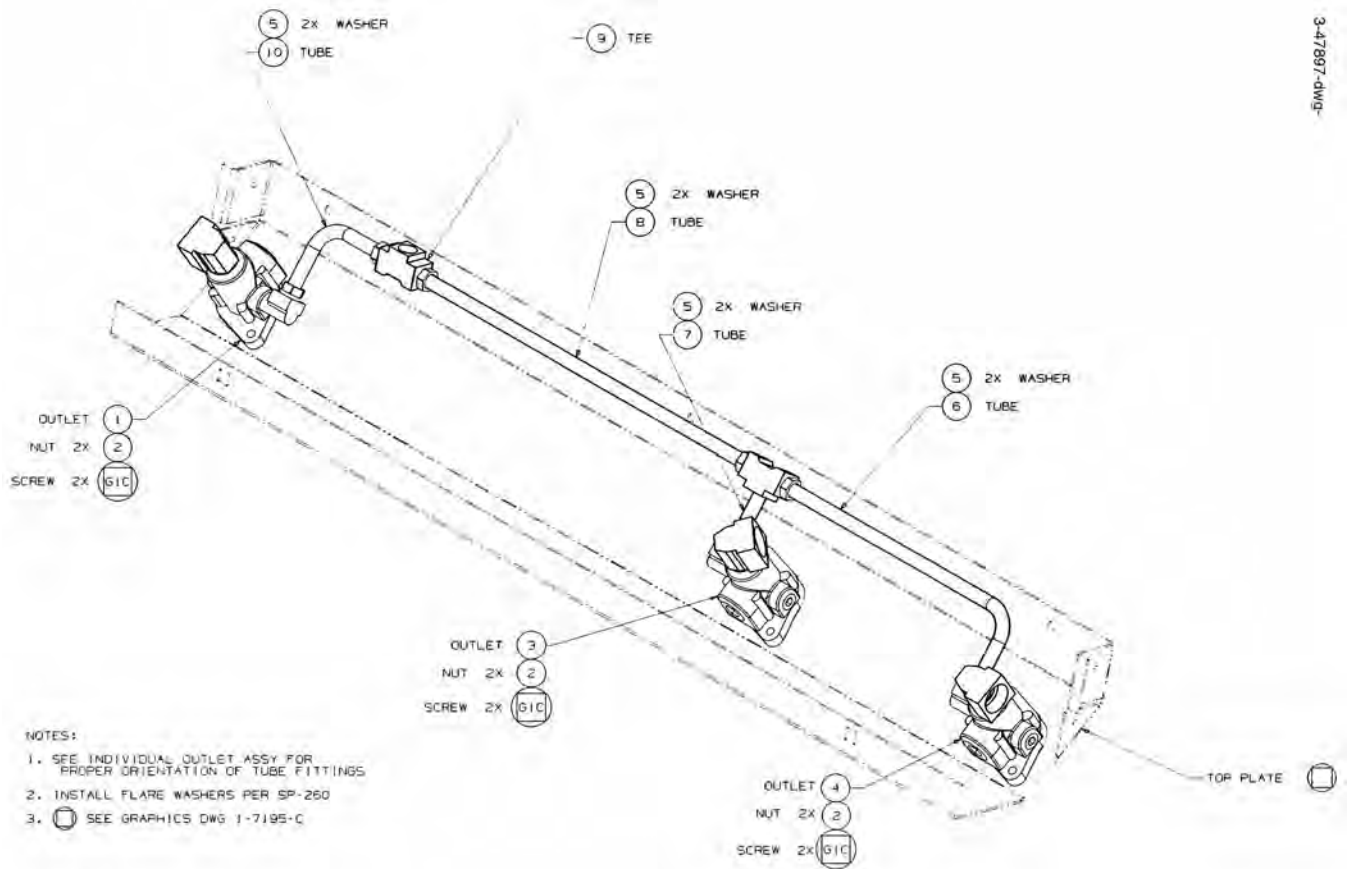



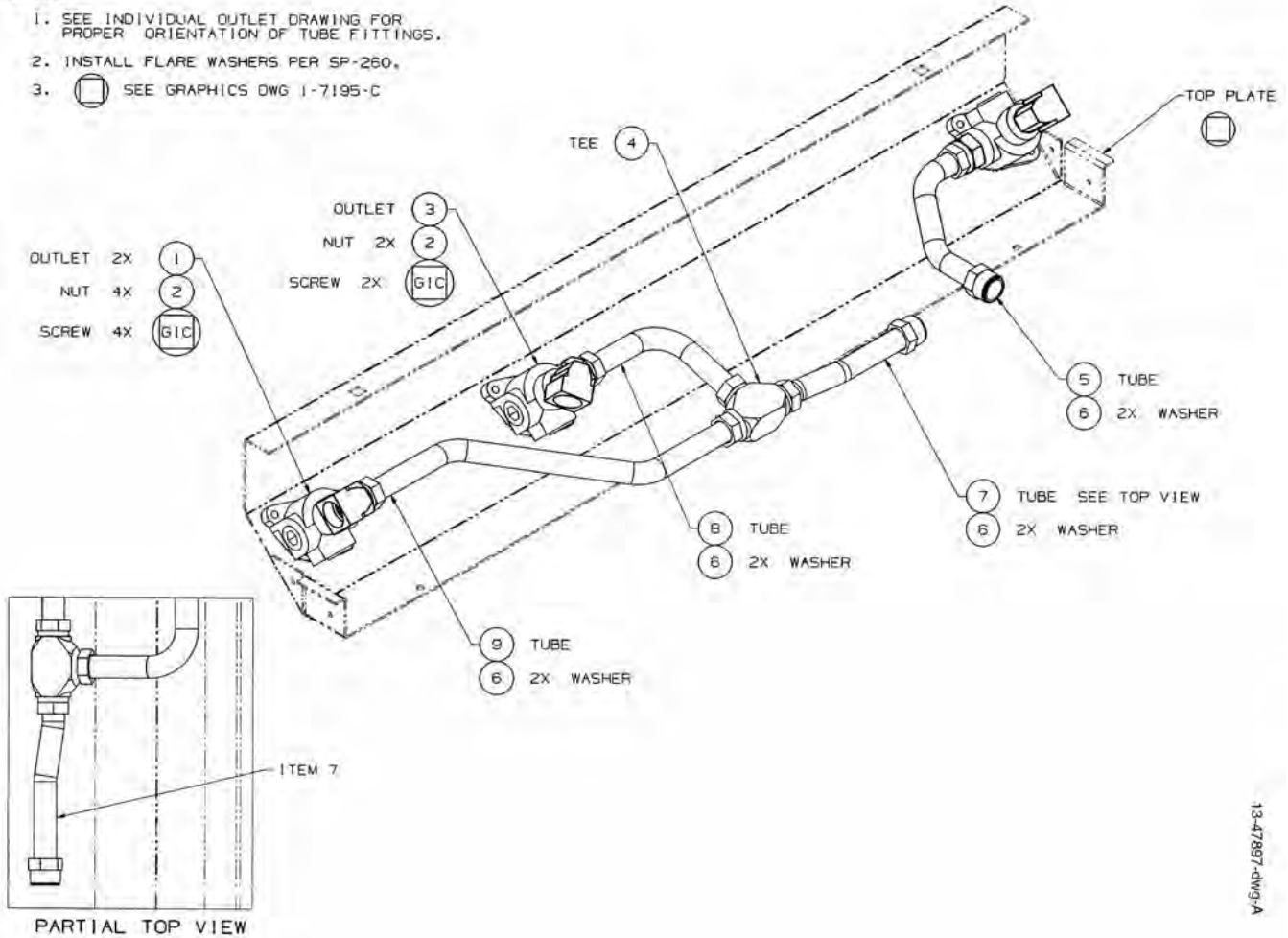
FIGURE 51. 3-47897-DWG - TOP MODULE, 2/V390 WAYNE VAC VAPOR RECOVERY

TABLE 95. 3-47897 - TOP MODULE, 2/V390 WAYNE VAC VAPOR RECOVERY

Item No.	Part No.	Qty.	Description
	003-047897-		MOD, TOP, 2/V390 WVAC
DWG	001-007195-00C		GUIDE, GRAPHICS PLACEMENT (SEE FIGURE 2.)
DWG	003-047897-DWG		MOD, TOP, 2/V390 WVAC
1	069-300790-	1	OUTLET, WVAC RCY-2/V390 (SEE VISTA SHARED ASSY MANUAL PART NO. 920345)
2	-513317-	6	LOCK N1/4-20 TENSIL ZN
3	067-300790-	1	OUTLET, WVAC RCY-2/V390 (SEE VISTA SHARED ASSY MANUAL PART NO. 920345)
4	066-300790-	1	OUTLET, WVAC RCY-2/V390 (SEE VISTA SHARED ASSY MANUAL PART NO. 920345)
5	002-129762-	8	WASHER, FLARE
6	001-301260-	1	TUBE, WVAC, TOP PL-2/V390
7	002-301258-	1	TUBE, STR, FLARED 1/2
8	001-301258-	1	TUBE, STR, FLARED 1/2
9	-918268-	2	TEE M1/2X1/2X1/2 INVERT
10	001-301259-	1	TUBE, WVAC, EL TOP PL-GHM

**NOTE:**

1. SEE INDIVIDUAL OUTLET DRAWING FOR PROPER ORIENTATION OF TUBE FITTINGS.
2. INSTALL FLARE WASHERS PER SP-260.
3.  SEE GRAPHICS DWG 1-7195-C




**FIGURE 52. 13-47897-DWG - TOP MODULE 2/V390, BALANCE VAPOR RECOVERY, FRONT**

**TABLE 96. 13-47897 - TOP MODULE 2/V390, BALANCE VAPOR RECOVERY, FRONT**

Item No.	Part No.	Qty.	Description
	013-047897-		MOD, TOP BALANCE FRONT
DWG	001-007195-00C		GUIDE, GRAPHICS PLACEMENT (SEE FIGURE 2.)
DWG	013-047897-DWG		MOD, TOP BALANCE FRONT
1	074-300790-	2	OUTLET, BAL RCVY 2/V387 (SEE VISTA SHARED ASSY MANUAL PART NO. 920345)
2	-513317-	6	LOCK N1/4-20 TENSIL ZN
3	093-300790-	1	OUTLET & FITTING, ASSY (SEE VISTA SHARED ASSY MANUAL PART NO. 920345)
4	-918226-	1	TEE M7/8 UNION INVERTED
5	001-301589-	1	TUBE, BALANCE TOP
6	-129762-	8	WASHER-FLARE
7	001-301591-	1	TUBE, BALANCE TOP, SHORT
8	001-301636-	1	TUBE, BALANCE TOP 90 DEG
9	001-301637-	1	TUBE, BALANCE TOP RF/RR

NOTE:

1. SEE INDIVIDUAL OUTLET DRAWING FOR PROPER ORIENTATION OF TUBE FITTINGS.
2. INSTALL FLARE WASHERS PER SP-260.
3.  SEE GRAPHICS DWG 1-7195-C

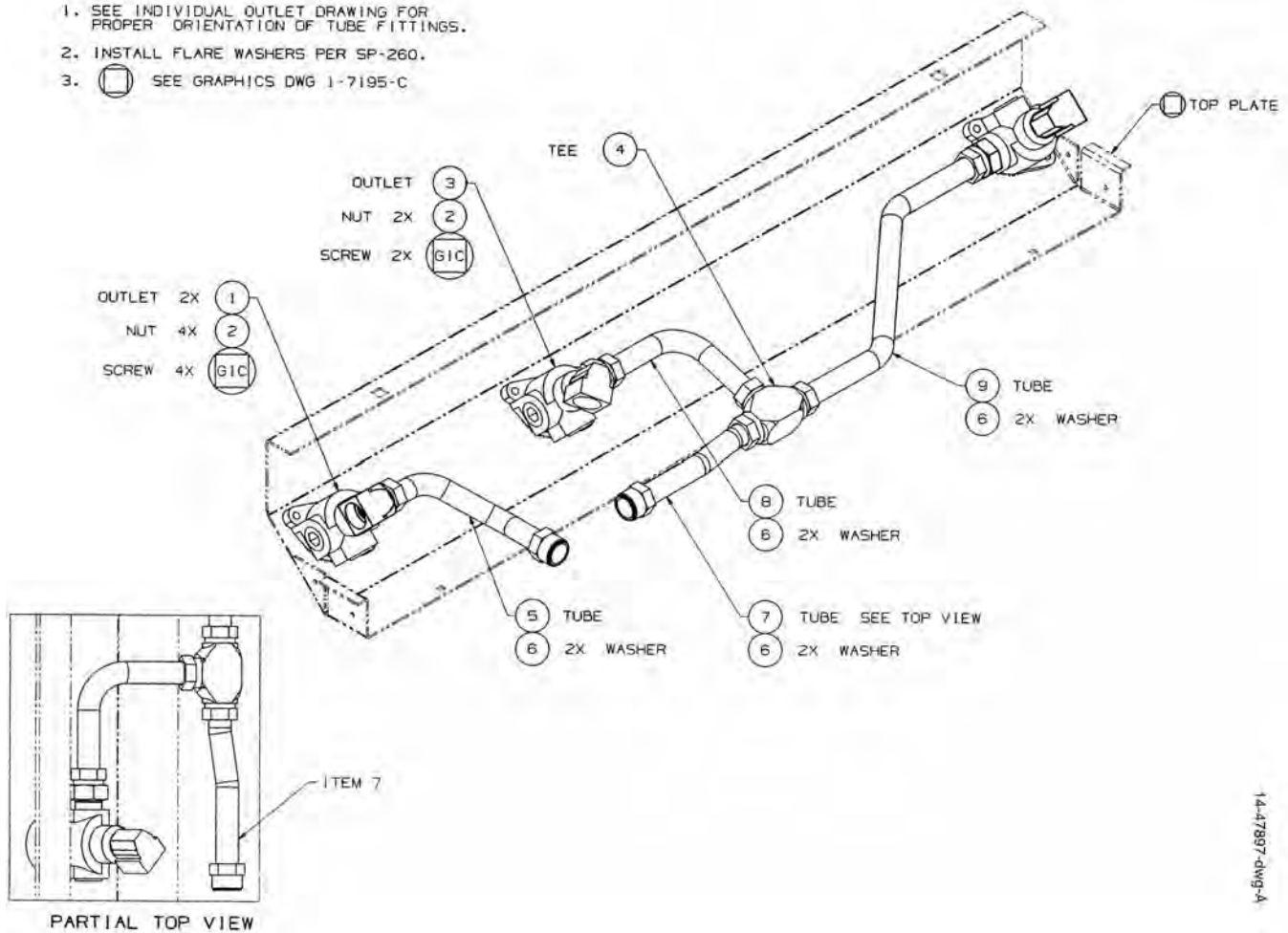


FIGURE 53. 14-47897-DWG - TOP MODULE, 2/V390 BALANCE VAPOR RECOVERY. REAR

TABLE 97. 14-47897 - TOP MODULE, 2/V390 BALANCE VAPOR RECOVERY. REAR

Item No.	Part No.	Qty.	Description
	014-047897-		MOD,TOP BALANCE REAR
DWG	001-007195-00C		GUIDE,GRAPHICS PLACEMENT (SEE FIGURE 2.)
DWG	014-047897-DWG		MOD,TOP BALANCE 2/V390
1	074-300790-	2	OUTLET,BAL RCVY 2/V387 (SEE VISTA SHARED ASSY MANUAL PART NO. 920345)
2	-513317-	6	LOCK N1/4-20 TENSIL ZN
3	093-300790-	1	OUTLET & FITTING,ASSY (SEE VISTA SHARED ASSY MANUAL PART NO. 920345)
4	-918226-	1	TEE M7/8UNION INVERTED
5	002-301589-	1	TUBE,BALANCE TOP
6	-129762-	8	WASHER-FLARE
7	001-301591-	1	TUBE,BALANCE TOP,SHORT
8	001-301636-	1	TUBE,BALANCE TOP 90 DEG
9	001-301637-	1	TUBE,BALANCE TOP RF/RR

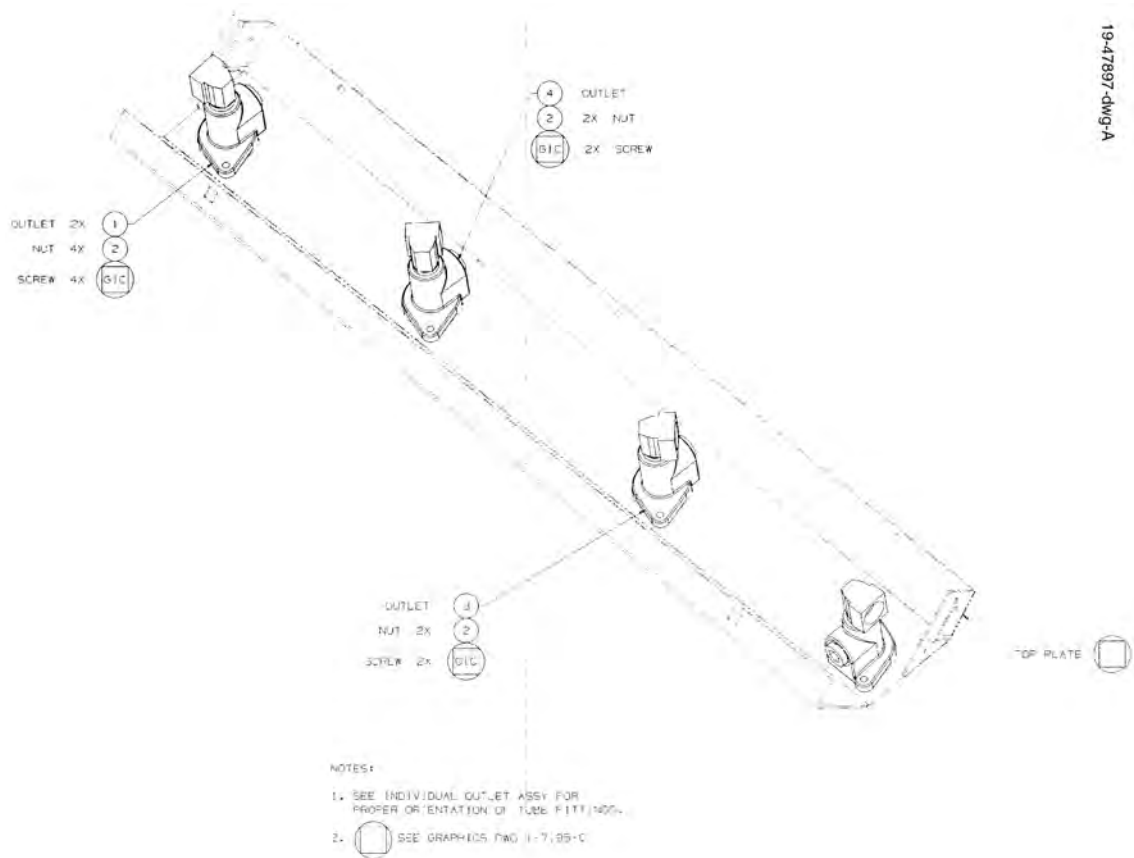



FIGURE 54. 19-47897-DWG - TOP MODULE, 2/V490, NON-VAPOR RECOVERY

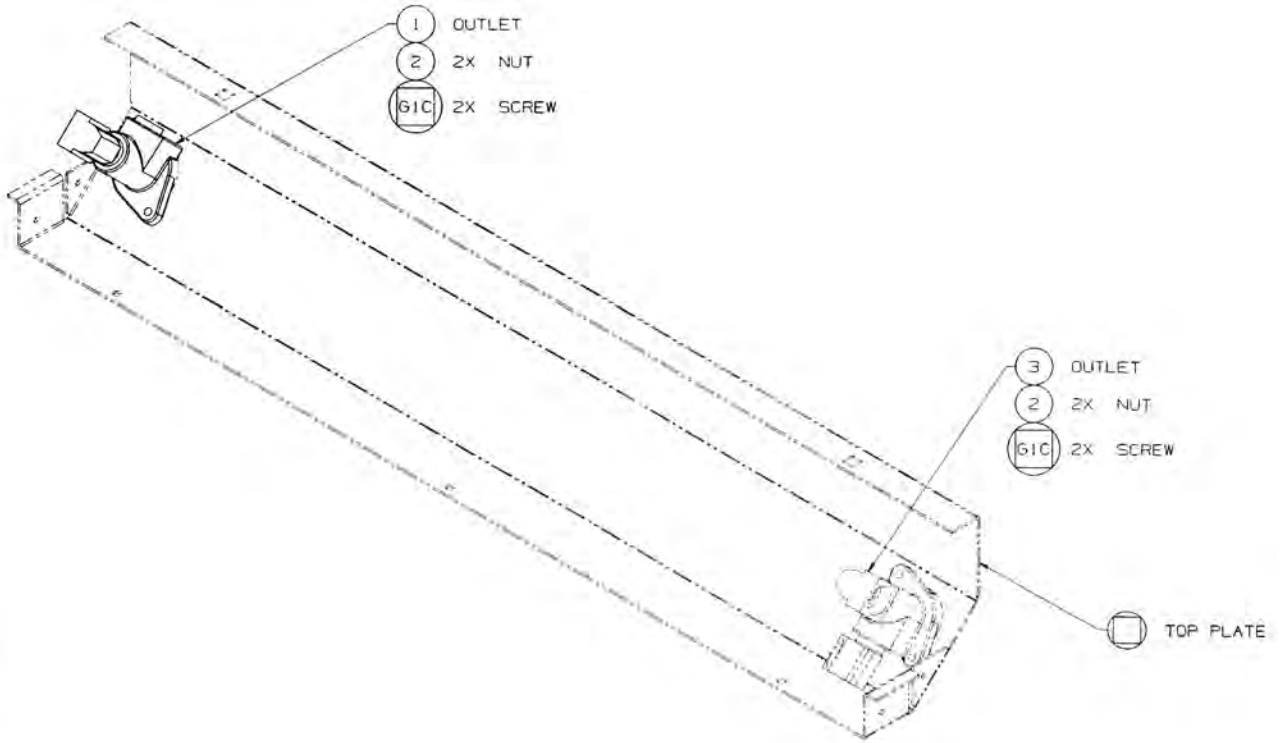
TABLE 98. 19-47897 - TOP MODULE 2/V490, NON-VAPOR RECOVERY

Item No.	Part No.	Qty.	Description
	019-047897-		MOD,BALANCE TOP
DWG	001-007195-00C		GUIDE,GRAPHICS PLACEMENT (SEE FIGURE 2.)
DWG	019-047897-DWG		MOD, TOP 2/V490 NON-VAP
1	058-300790-	2	OUTLET & FITTING, ASSY (SEE VISTA SHARED ASSY MANUAL PART NO. 920345)
2	-513317-	8	LOCK N1/4-20 TENSIL ZN
3	060-300790-	1	OUTLET, NONVAP RCVY, 2/V390 (SEE VISTA SHARED ASSY MANUAL PART NO. 920345)
4	061-300790-	1	OUTLET, NONVAP RCVY, 2/V490 (SEE VISTA SHARED ASSY MANUAL PART NO. 920345)



**NOTES:**

1. SEE INDIVIDUAL OUTLET ASSY FOR PROPER ORIENTATION OF TUBE FITTINGS.
2.  SEE GRAPHICS DWG 1-7195-C




**FIGURE 56. 31-47897-DWG - TOP MODULE 2/V595, NON-VAPOR RECOVERY**

**TABLE 100. 31-47897 - TOP MODULE 2/V595, NON-VAPOR RECOVERY**

Item No.	Part No.	Qty.	Description
	031-047897-		MOD, TOP 2/V595 NON VAPOR
DWG	001-007195-00C		GUIDE, GRAPHICS PLACEMENT (SEE FIGURE 2.)
DWG	031-047897-DWG		MOD, TOP 2/V595 NON VAPOR
1	058-300790-	1	OUTLET & FITTING, ASSY (SEE VISTA SHARED ASSY MANUAL PART NO. 920345)
2	-513317-	4	LOCK N1/4-20 TENSIL ZN
3	083-300790-	1	OUTLET, NONVAP RCVY-2/V595 (SEE VISTA SHARED ASSY MANUAL PART NO. 920345)

NOTES:

1. SEE INDIVIDUAL OUTLET ASSY FOR PROPER ORIENTATION OF TUBE FITTINGS.
2.  SEE GRAPHICS DWG 1-7195-C

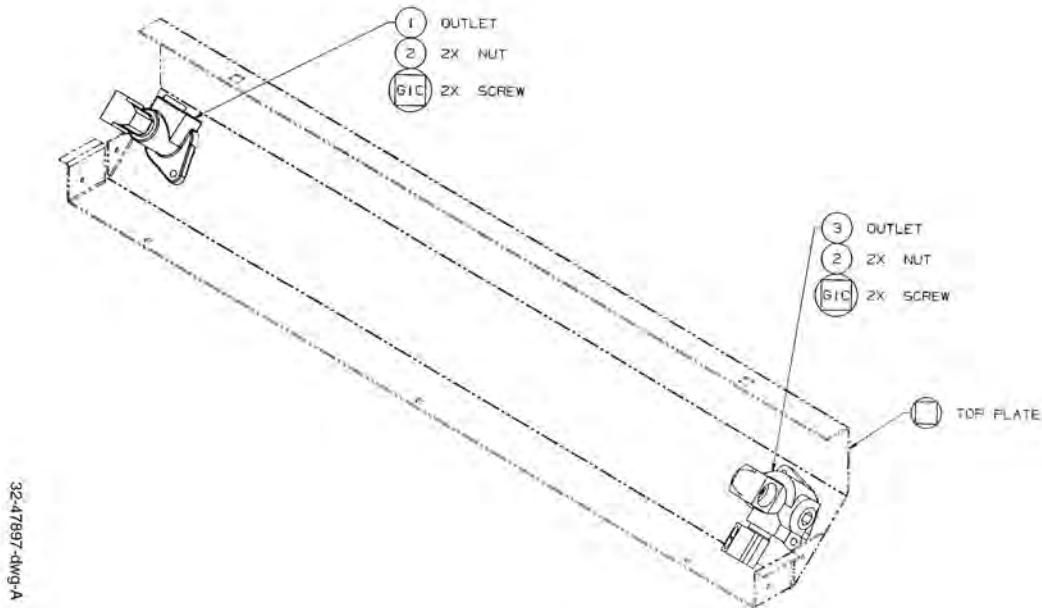

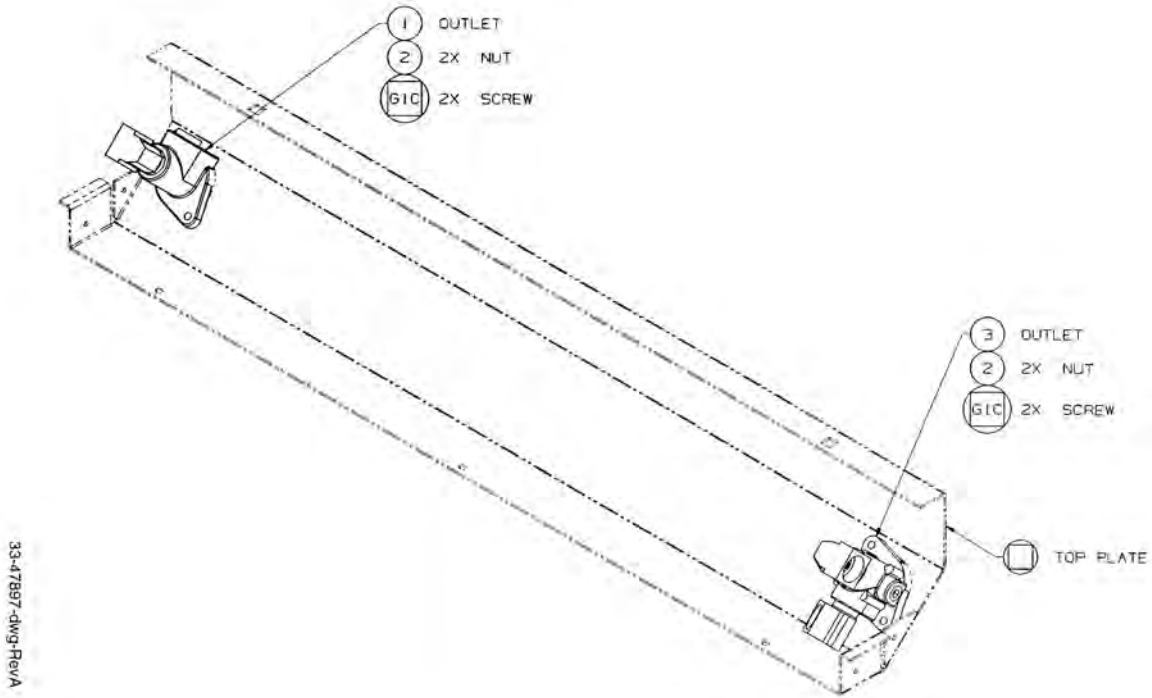


FIGURE 57. 32-47897-DWG - TOP MODULE 2/V595, BALANCE VAPOR RECOVERY

TABLE 101. 32-47897 - TOP MODULE 2/V595, BALANCE VAPOR RECOVERY

Item No.	Part No.	Qty.	Description
	032-047897-		MOD,TOP 2/V595 BAL. VAP
DWG	001-007195-00C		GUIDE,GRAPHICS PLACEMENT (SEE FIGURE 2.)
DWG	032-047897-DWG		MOD,TOP 2/V595 BAL VAP
1	058-300790-	1	OUTLET & FITTING,ASSY (SEE VISTA SHARED ASSY MANUAL PART NO. 920345)
2	-513317-	4	LOCK N1/4-20 TENSIL ZN
3	084-300790-	1	OUTLET,BAL RCVY-2/V595 (SEE VISTA SHARED ASSY MANUAL PART NO. 920345)

- NOTES:  
 1. SEE INDIVIDUAL OUTLET ASSY FOR PROPER ORIENTATION OF TUBE FITTINGS.  
 2.  SEE GRAPHICS DWG 1-7195-C




**FIGURE 58. 33-47897-DWG - TOP MODULE 2/V595, WAYNE VAC VAPOR RECOVERY**

**TABLE 102. 33-47897 - TOP MODULE 2/V595, WAYNE VAC VAPOR RECOVERY**

Item No.	Part No.	Qty.	Description
	033-047897-		MOD,TOP 2/V595 WV VAPOR
DWG	001-007195-00C		GUIDE,GRAPHICS PLACEMENT (SEE FIGURE 2.)
DWG	033-047897-DWG		MOD,TOP 2/V595 WV VAPOR (SEE VISTA SHARED ASSY MANUAL PART NO. 920345)
1	058-300790-	1	OUTLET & FITTING,ASSY
2	-513317-	4	LOCK N1/4-20 TENSIL ZN
3	085-300790-	1	OUTLET,WVAC REVY-2/V595 (SEE VISTA SHARED ASSY MANUAL PART NO. 920345)

NOTES:

1. SEE INDIVIDUAL OUTLET ASSY FOR PROPER ORIENTATION OF TUBE FITTINGS.
2. INSTALL FLARE WASHERS PER SP-260
3.  SEE GRAPHICS DWG 1-7195-C

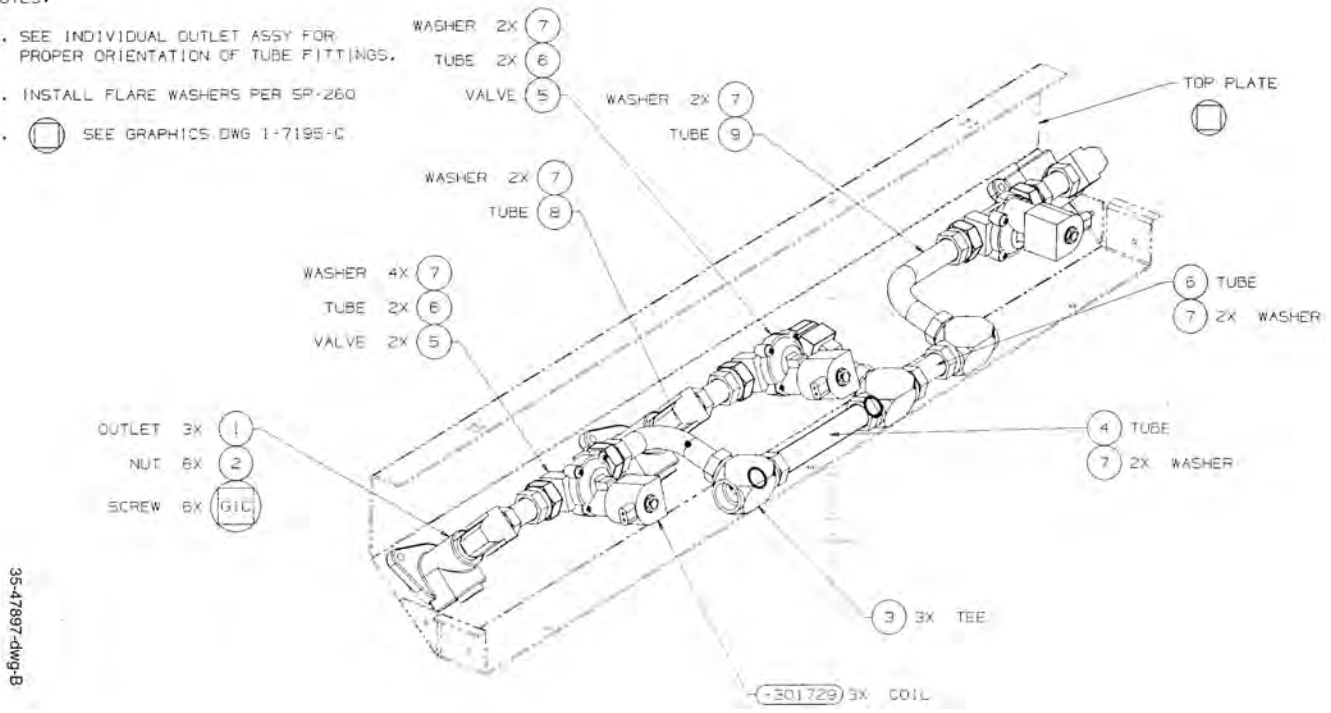


FIGURE 59. 35-47897-DWG - TOP MODULE 2/V590, NON-VAPOR RECOVERY

TABLE 103. 35-47897 - TOP MODULE 2/V590, NON-VAPOR RECOVERY

Item No.	Part No.	Qty.	Description
	035-047897-		MOD, TOP, NON-VAPOR REC.
DWG	001-007195-00C		GUIDE, GRAPHICS PLACEMENT (SEE FIGURE 2.)
DWG	035-047897-DWG		MOD, TOP NON-VAPOR REC
1	058-300790-	3	OUTLET & FITTING, ASSY (SEE VISTA SHARED ASSY MANUAL PART NO. 920345)
2	-513317-	6	LOCK N1/4-20 TENSIL ZN
3	-918226-	3	TEE M7/8 UNION INVERTED
4	019-201643-	1	ASSY-TUBE
5	001-301831-	3	VALVE & FITTINGS
6	011-201643-	4	ASSY. TUBE
7	-129762-	16	WASHER-FLARE
8	-300351-	1	ASSY. TUBE
9	007-201643-	2	ASSY. TUBE



TABLE 104. 36-47897 - TOP MODULE 2/V590, BALANCE VAPOR RECOVERY, FRONT

Item No.	Part No.	Qty.	Description
	036-047897-		MOD, TOP, FRONT BALANCE VAP
DWG	001-007195-00C		GUIDE, GRAPHICS PLACEMENT (SEE FIGURE 2.)
DWG	036-047897-DWG		MOD, TOP, FRONT, BAL VAPOR
1	110-300790-	3	OUTLET & FITTING, WVAC BAL (SEE VISTA SHARED ASSY MANUAL PART NO. 920345)
2	-513317-	6	LOCK N1/4-20 TENSIL ZN
3	004-301636-	1	TUBE, BALANCE TOP 90 DEG
4	032-201643-	1	TUBE, ASSY
5	001-301831-	3	VALVE & FITTINGS
6	011-201643-	4	ASSY. TUBE
7	-129762-	24	WASHER-FLARE
8	-300351-	1	ASSY. TUBE
9	007-201643-	2	ASSY. TUBE
10	019-201643-	1	ASSY-TUBE
11	-918226-	5	TEE M7/8 UNION INVERTED
12	001-301637-	1	TUBE, BALANCE TOP RF/RR
13	001-301636-	1	TUBE, BALANCE TOP 90 DEG
14	001-301833-	1	TUBE, BALANCE TOP OFFSET

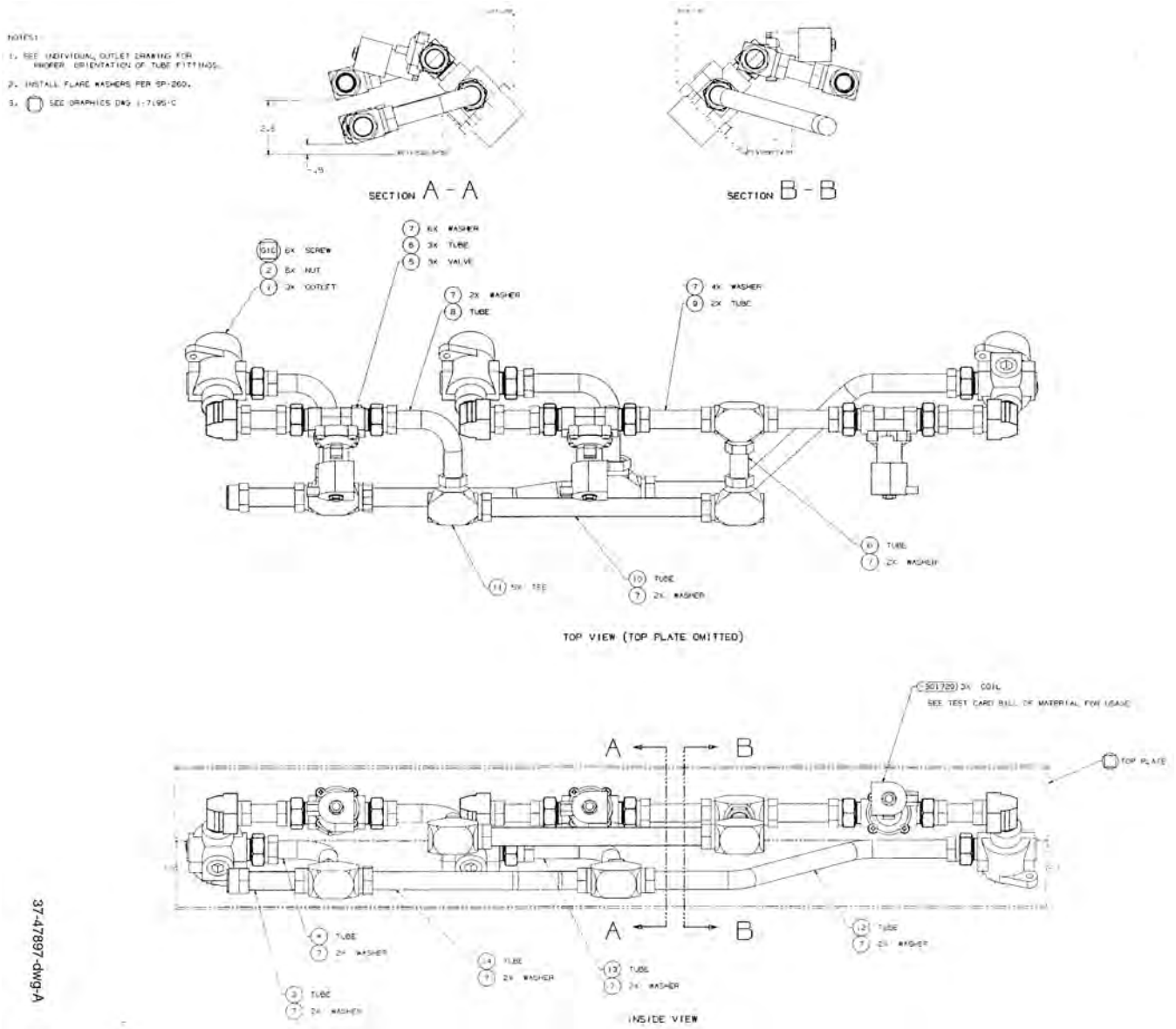


FIGURE 61. 37-47897-DWG - TOP MODULE 2/V590, BALANCE VAPOR RECOVERY, REAR

**TABLE 105. 37-47897 - TOP MODULE 2/V590, BALANCE VAPOR RECOVERY, REAR**

Item No.	Part No.	Qty.	Description
	037-047897-		MOD, TOP, REAR BALANCE VAP
DWG	001-007195-00C		GUIDE, GRAPHICS PLACEMENT (SEE FIGURE 2.)
DWG	037-047897-DWG		MOD, TOP, REAR, BAL VAPOR
1	110-300790-	3	OUTLET & FITTING, WVAC BAL (SEE VISTA SHARED ASSY MANUAL PART NO. 920345)
2	-513317-	6	LOCK N1/4-20 TENSIL ZN
3	032-201643-	1	TUBE, ASSY
4	004-301636-	1	TUBE, BALANCE TOP 90 DEG
5	001-301831-	3	VALVE & FITTINGS
6	011-201643-	4	ASSY. TUBE
7	-129762-	24	WASHER-FLARE
8	-300351-	1	ASSY. TUBE
9	007-201643-	2	ASSY. TUBE
10	019-201643-	1	ASSY-TUBE
11	-918226-	5	TEE M7/8 UNION INVERTED
12	001-301637-	1	TUBE, BALANCE TOP RF/RR
13	001-301636-	1	TUBE, BALANCE TOP 90 DEG
14	001-301833-	1	TUBE, BALANCE TOP OFFSET

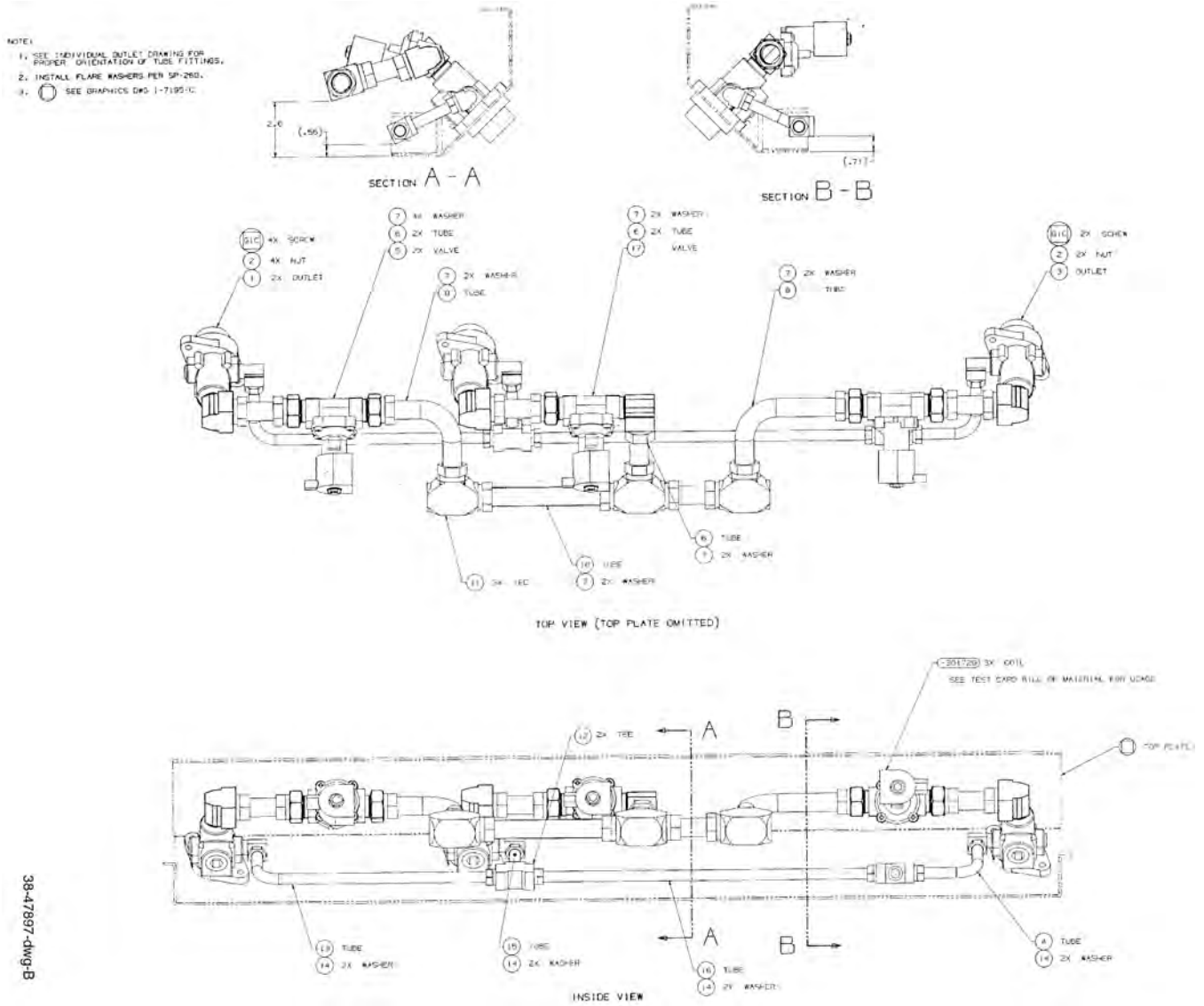


FIGURE 62. 38-47897-DWG - TOP MODULE 2/V590, WAYNE VAC VAPOR RECOVERY

TABLE 106. 38-47897 - TOP MODULE 2/V590, WAYNE VAC VAPOR RECOVERY

Item No.	Part No.	Qty.	Description
	038-047897-		MOD, TOP, WVAC VAPOR REC
DWG	001-007195-00C		GUIDE, GRAPHICS PLACEMENT (SEE FIGURE 2.)
DWG	038-047897-DWG		MOD, TOP, WVAC VAPOR REC.
1	112-300790-	2	OUTLET & FITTING, WVAC VAP (SEE VISTA SHARED ASSY MANUAL PART NO. 920345)
2	-513317-	6	LOCK N1/4-20 TENSIL ZN
3	111-300790-	1	OUTLET & FITTING, WVAC VAP (SEE VISTA SHARED ASSY MANUAL PART NO. 920345)
4	001-301259-	1	TUBE, WVAC, EL TOP PL-GHM
5	001-301831-	3	VALVE & FITTINGS
6	011-201643-	4	ASSY. TUBE
7	-129762-	16	WASHER-FLARE
8	-300351-	1	ASSY. TUBE
9	007-201643-	2	ASSY. TUBE
10	019-201643-	1	ASSY-TUBE
11	-918226-	3	TEE M7/8UNION INVERTED
12	-918268-	2	TEE M1/2X1/2X1/2INVERT
13	001-301260-	1	TUBE, WVAC, TOP PL-2/V390
14	002-129762-	8	WASHER, FLARE
15	002-301258-	1	TUBE, STR, FLARED 1/2
16	001-301258-	1	TUBE, STR, FLARED 1/2

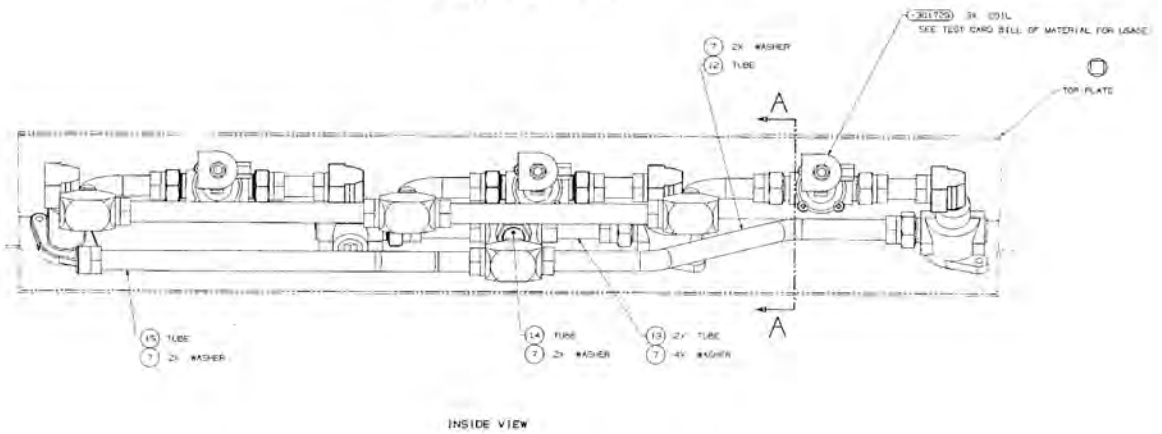
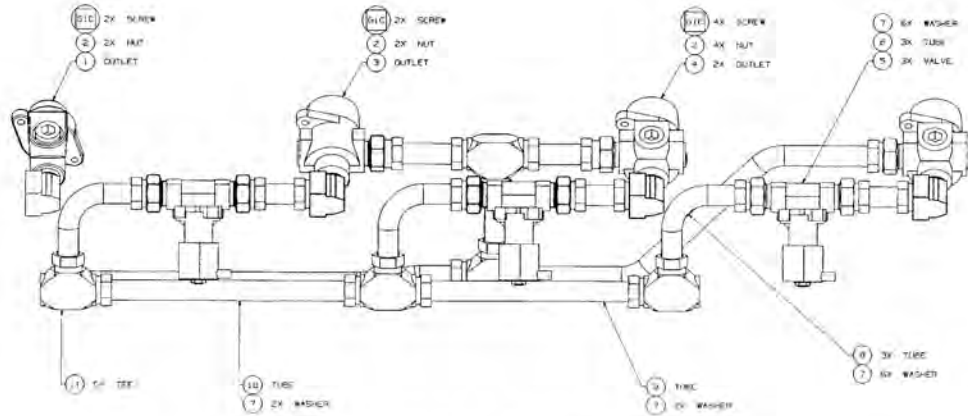
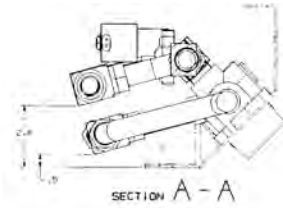


TABLE 107. 40-47897 - TOP MODULE 2/V591, BALANCE VAPOR RECOVERY, FRONT

Item No.	Part No.	Qty.	Description
	040-047897-		MOD, TOP, FRONT BALANCE VAP
DWG	001-007195-00C		GUIDE, GRAPHICS PLACEMENT (SEE FIGURE 2.)
DWG	040-047897-DWG		MOD, TOP, FRONT BALANCE VAP
1	058-300790-	1	OUTLET & FITTING, ASSY (SEE VISTA SHARED ASSY MANUAL PART NO. 920345)
2	-513317-	8	LOCK N1/4-20 TENSIL ZN
3	074-300790-	1	OUTLET, BAL RCVY 2/V387 (SEE VISTA SHARED ASSY MANUAL PART NO. 920345)
4	110-300790-	2	OUTLET & FITTING, WVAC BAL (SEE VISTA SHARED ASSY MANUAL PART NO. 920345)
5	001-301831-	3	VALVE & FITTINGS (SEE VISTA SHARED ASSY MANUAL PART NO. 920345)
6	011-201643-	3	ASSY. TUBE
7	-129762-	24	WASHER-FLARE
8	-300351-	3	ASSY. TUBE
9	027-201643-	1	TUBE, ASSY
10	023-201643-	1	TUBE, ASSY
11	-918226-	5	TEE M7/8 UNION INVERTED
12	020-201643-	2	TUBE, ASSY
13	005-301636-	1	TUBE, BALANCE TOP 90 DEG
14	004-301636-	1	TUBE, BALANCE TOP 90 DEG
15	032-201643-	1	TUBE, ASSY

NOTES:

1. SEE INDIVIDUAL OUTLET DRAWING FOR PROPER ORIENTATION OF TUBE FITTINGS.
2. INSTALL FLARE WASHERS PER SP-250.
3. SEE GRAPHICS DWG 1-7-95-C.



41-47897-DWG-A

**FIGURE 64. 41-47897-DWG - TOP MODULE 2/V591, BALANCE VAPOR RECOVERY, REAR**

TABLE 108. 41-47897 - TOP MODULE 2/V591, BALANCE VAPOR RECOVERY, REAR

Item No.	Part No.	Qty.	Description
	041-047897-		MOD,TOP REAR BALANCE VAP
DWG	001-007195-00C		GUIDE,GRAPHICS PLACEMENT (SEE FIGURE 2.)
DWG	041-047897-DWG		MOD,TOP,REAR BALANCE VAP.
1	058-300790-	1	OUTLET & FITTING,ASSY (SEE VISTA SHARED ASSY MANUAL PART NO. 920345)
2	-513317-	8	LOCK N1/4-20 TENSIL ZN
3	074-300790-	1	OUTLET,BAL RCVY 2/V387 (SEE VISTA SHARED ASSY MANUAL PART NO. 920345)
4	110-300790-	2	OUTLET & FITTING,WVAC BAL (SEE VISTA SHARED ASSY MANUAL PART NO. 920345)
5	001-301831-	3	VALVE & FITTINGS (SEE VISTA SHARED ASSY MANUAL PART NO. 920345)
6	011-201643-	3	ASSY. TUBE
7	-129762-	26	WASHER-FLARE
8	-300351-	3	ASSY. TUBE
9	027-201643-	1	TUBE,ASSY
10	023-201643-	1	TUBE,ASSY
11	-918226-	5	TEE M7/8UNION INVERTED
12	001-301637-	1	TUBE,BALANCE TOP RF/RR
13	020-201643-	2	TUBE,ASSY
14	032-201643-	1	TUBE,ASSY
15	002-301833-	1	TUBE,BALANCE TOP OFFSET

"NOTE: This equipment has been tested and found to comply with the limits for a Class A digital device, pursuant to Part 15 of the FCC Rules. These limits are designed to provide reasonable protection against harmful interference when the equipment is operated in a commercial environment. This equipment generates, uses, and can radiate radio frequency energy and, if not installed and used in accordance with the instruction manual, may cause harmful interference to radio communications. Operation of this equipment in a residential area is likely to cause harmful interference in which case the user will be required to correct the interference at his own expense."

