



Parts

Wayne HS3 Vista™ Fuel Dispensers
Ultra High Capacity Remote Dispensers and Satellites

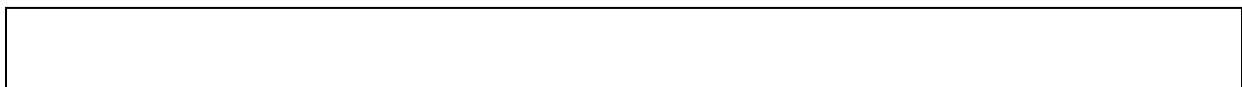
P/N 000-920908-
Rev. 0B

Terms & Acronyms

Acronym/Abbreviation	Description
AR	As Required
ANSI	American National Standards Institute
ASSY	Assembly
BLK	Black
CHK. & PR. REL. VAL	Check & Pressure Relief Valve
CNTRSUNK	Countersunk
CU IN	Cubic Inch
DEG	Degrees
DUO-1	Single Product, Two Hoses
DUO-2	Two Products, Two Hoses
F/F	Female/Female Threads
FIHM	Fillister Head Machine Screw
FLPHSS	Flat Head, Phillips, Stainless Steel
FLTFPHSS	Flat Head, Phillips, Stainless Steel
FWSTCD	Flat Washer, Steel, Cadmium-Plated
FWSTZN	Flat Washer, Steel, Zinc-Plated
GALV	Galvanized
HR	Hose Retractor
HHC	Hex Head Cap Screw
HHCS	Hex Head Cap Screw
HHCSTZN	Hex Head Cap Screw, Zinc-Plated Steel
HP	Horsepower
ID	Inside Diameter
iGEM	Wayne Intelligent Global Electronics Module
ISB	Intrinsically Safe Barrier
JBOX	Junction Box
KPNTMSSTZN	Keps Nut, Steel, Zinc-Plated
LK	Lock
LTS	Lift-to-Start
MACH	Machined
M.F. COND.	Male/Female Threads Conduit
NPT	National Pipe Thread
NOZZL	Nozzle
OD	Outside Diameter
PHPHSTZN	Pan Head, Phillips, Steel, Zinc-Plated
PTS	Push-to-Start
SBHCS	Socket Button Head Cap Screw
SCR	Screw
SHCS	Socket Head Cap Screw
SHCSSTZN	Socket Head Cap Screw, Steel, Zinc-Plated
SHCTT	Socket Head Cap "Tap-Tite"
SLHCS	Socket Low Head Cap Screw
SNGL	Single
SOL	Solenoid
SPL	Split
SQ.HD.	Square Head
TAP /R TH	"Tap-Tite" Thread Forming Screw
TTWAS	"Tap-Tite" Washer Head Screw
UL	Underwriter's Laboratories
VLV	Valve
WAHH	Washer Hex Head
WSHR	Washer

TABLE OF CONTENTS

<u>Title</u>	<u>Page</u>
Terms & Acronyms	Inside Front Cover
Locating Part Numbers & Ordering Parts	ii
Model Designation Format	1
Dispenser Views	2
Housing Components	10
Frame Components	12
Bezel Components	14
Display Components	16
Electronic Head Components	18
Main Junction Box and Potted Conduit Components	22
Rear Junction Box Components	24
Meter and Filter Assembly Components	26
Meter Components	28
Valve and Discharge Components	30
HS3/V388C Master/Satellite Combo – Satellite Hydraulic Components	32
Nozzle Boot Components	34
Hose Reel Components	35
Wayne Trac	36
Wiring Diagrams (with cabling part numbers)	38
Satellite Components	40



How to Locate Part Numbers

- Step 1** Before looking up the part number, you should have the complete model number of the dispenser. The model number can be found on the serial number plate.
- Step 2** Use the Model Designation Format table in the next section to interpret the base model and options contained in the model number.
Important: **Some parts have multiple part number selections based upon the different dispenser options.**
- Step 3** Using the Table of Contents, locate the module which you believe contains the desired part(s), and turn to that section. Note that most dispenser options have their own sections.
- Step 4** Find the part needed on the module drawing and the corresponding item number. Read any notes on the drawing for assistance in locating the correct item and part number.
- Step 56** Lookup the item number in the item listing on the facing page to find the part number and description for your model. Note that some item numbers have multiple selections based upon the model options. If necessary, a table of acronyms and abbreviations can be found on the inside front cover to help interpret the description.

How to Order Parts

Parts should be ordered through Wayne Authorized Distributors. When ordering parts, always include the following information:

- Part Number
- Part Description
- Quantity Desired

*****How to Contact Wayne

Wayne Technical Support	1-800-926-3737
Wayne Service Parts Department	1-512-218-6547 (Phone)
	1-512-388-8592 (Distributor Fax)

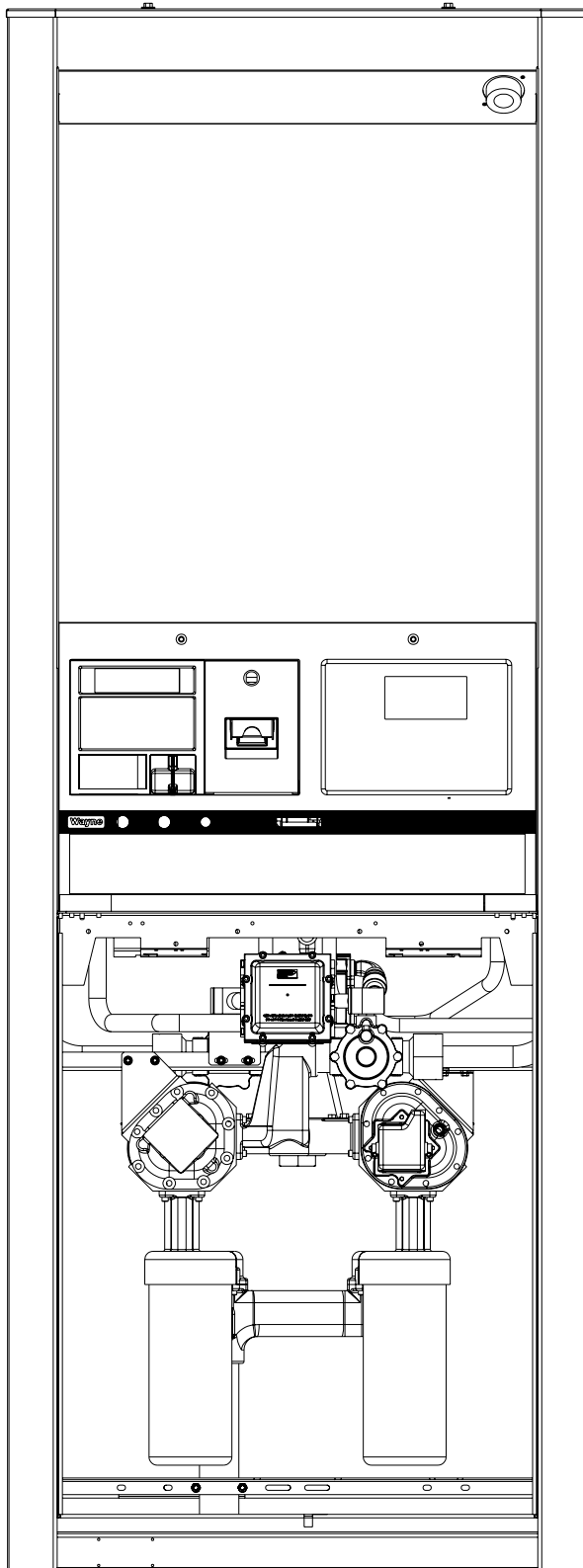
Model Designation Format

The model number of your dispensers is an alpha-numeric string of characters that indicate the model and options for your particular configuration. See the table below for a description of each character.

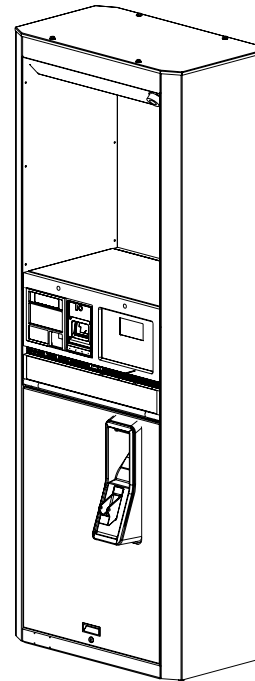
Prefix / Main Body / First Suffix / Second Suffix
 XXX / ABCDEF / ZZZZZZZ / YYYYYYYYY

Prefix	X	Electronics	HS	Ultra High Capacity Flow
			3	LC Meter + iGEM
	/			
Main Body	A	Model Series	V	Vista
			2	Satellite Dispenser
	B		3	1 or 2 Product Dispenser
			C	Cabinet Style
	D	Hose & Product Configuration	7	Duo-1
			8	Duo-2
			9	Duo-2 (2 hoses, same side): only available in /R model
	E	Dispenser Type	C	Combination Dispenser/Satellite
			D	Remote Dispenser
			S	Satellite
	F	Price Display and Card Reader Options	1	Single Price Posting
			3	Dual Price Posting
			4	Card Reader, Single Price Posting
			5	Card Reader, Dual Price Posting
6			WayneTrac Hand Held Single Price Posting	
9	WayneTrac Hand Held Dual Price Posting			
	/			
First Suffix	Z	Additional Options	4	High Hose Discharge
			A	Auto On
			C	Canadian Unit
			G	Filter
			I	Intercom Call Button
			J	Push To Start
			M	Authorize Key Switch
			O	Electronic Totalizers only (no Electro-Mechanical Totalizers)
			P	Stop Switch
			R	Single-Sided Lane Oriented Model
S	Preset, 12 Button			
	/			
Second Suffix		Additional Options	D	Graphics Display Card Reader
			F	Electro-Mechanical Totalizer per Hose
			H	High Hose Retractor
			I	ISM 3000 software
			K	Speaker
			L	Conduit for Lighted Valence
Z	Data Encryption Software			

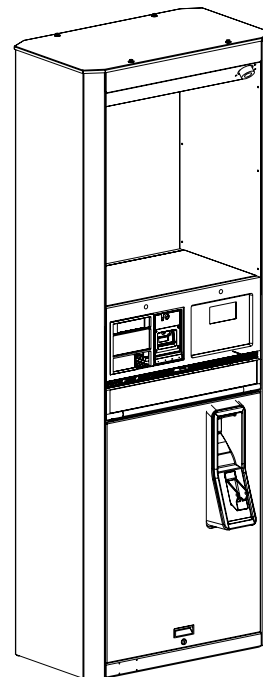
HS3/V387D/4 ONE PRODUCT MASTER/MASTER



FRONT VIEW

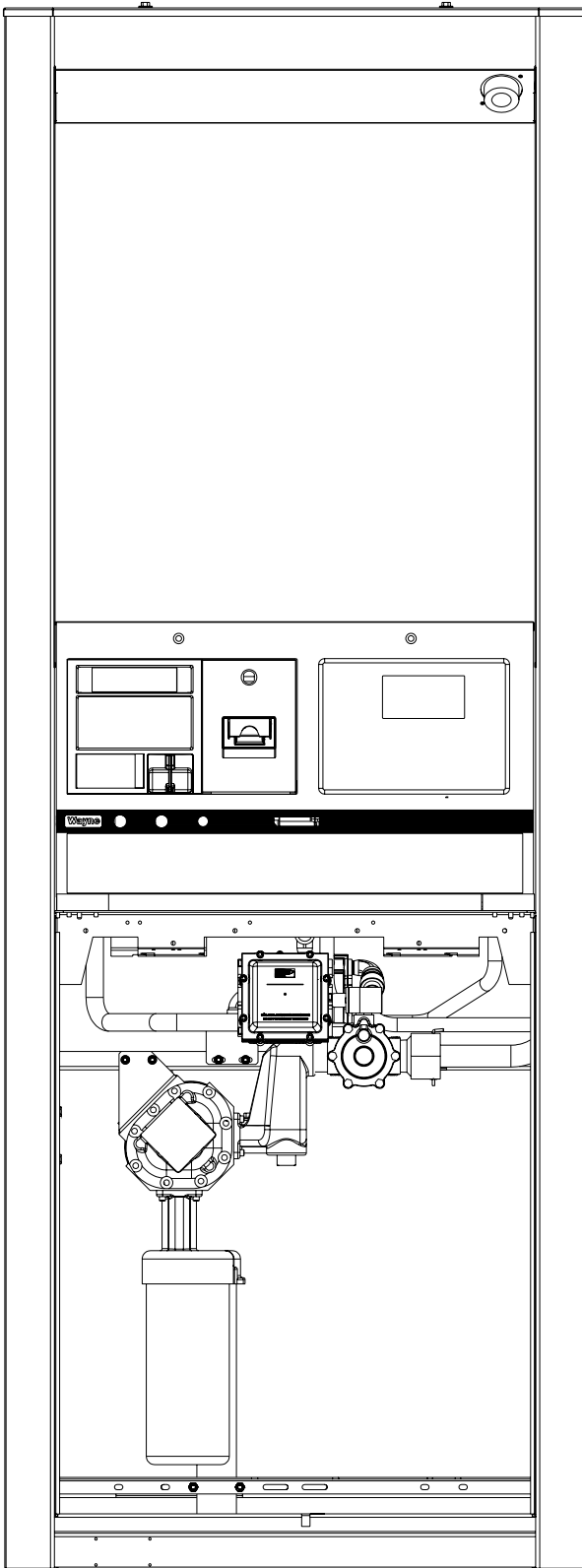


FRONT SIDE

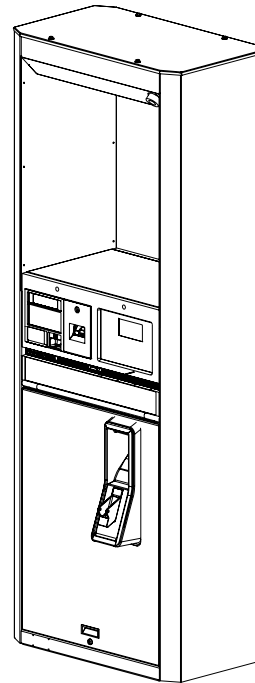


BACK SIDE

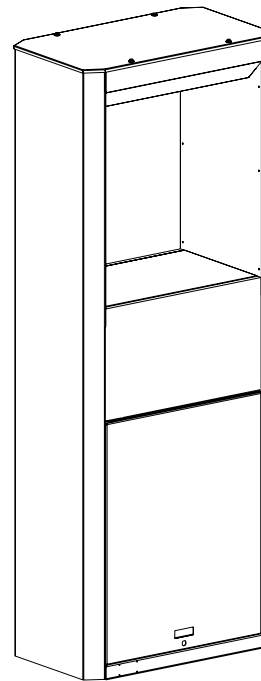
HS3/V387D/4R MASTER



FRONT VIEW

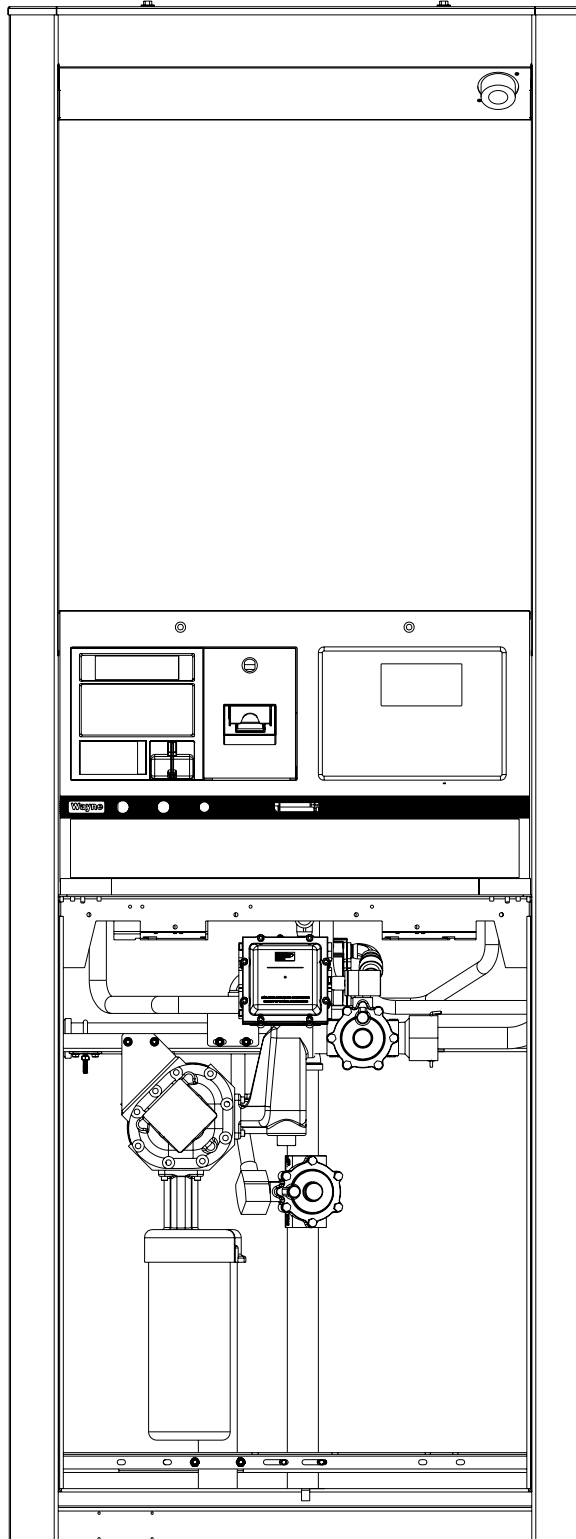


FRONT SIDE

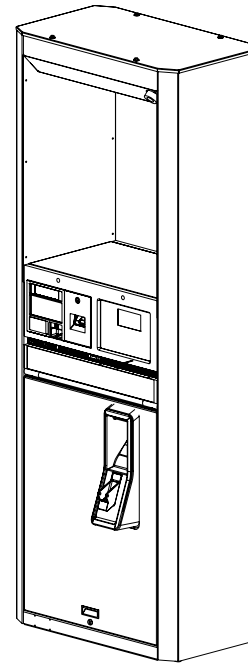


BACK SIDE

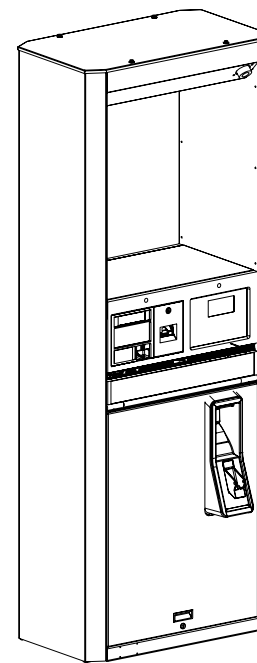
HS3/V388C/4 MASTER/SATELLITE COMBO



FRONT VIEW

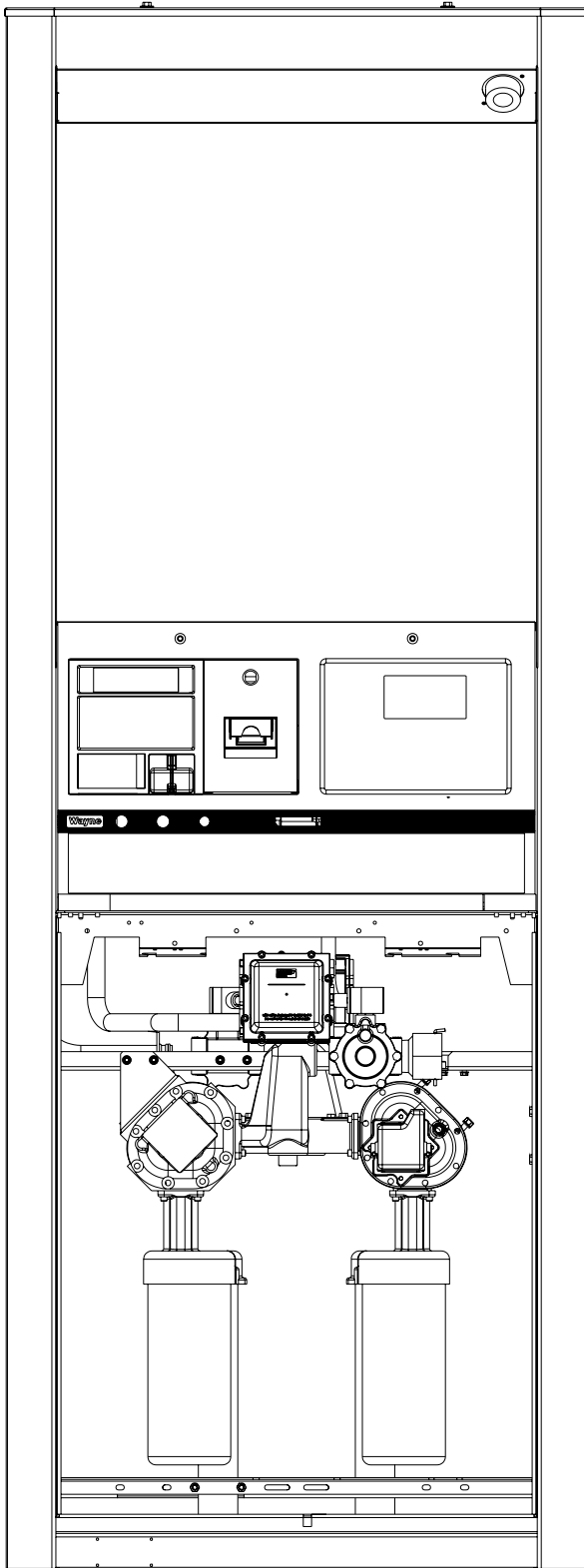


FRONT SIDE

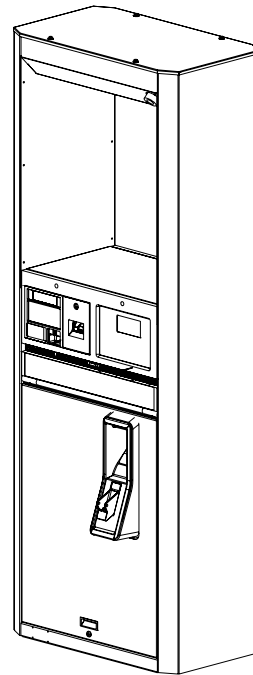


BACK SIDE

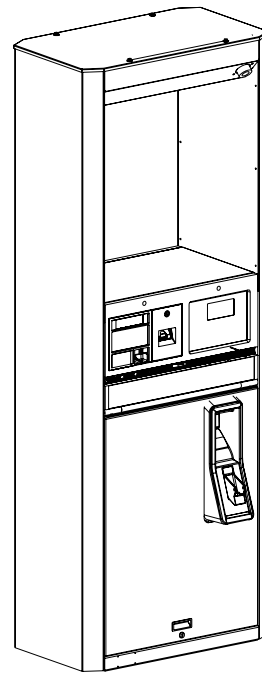
HS3/V388D/4 TWO-PRODUCT MASTER/MASTER



FRONT VIEW

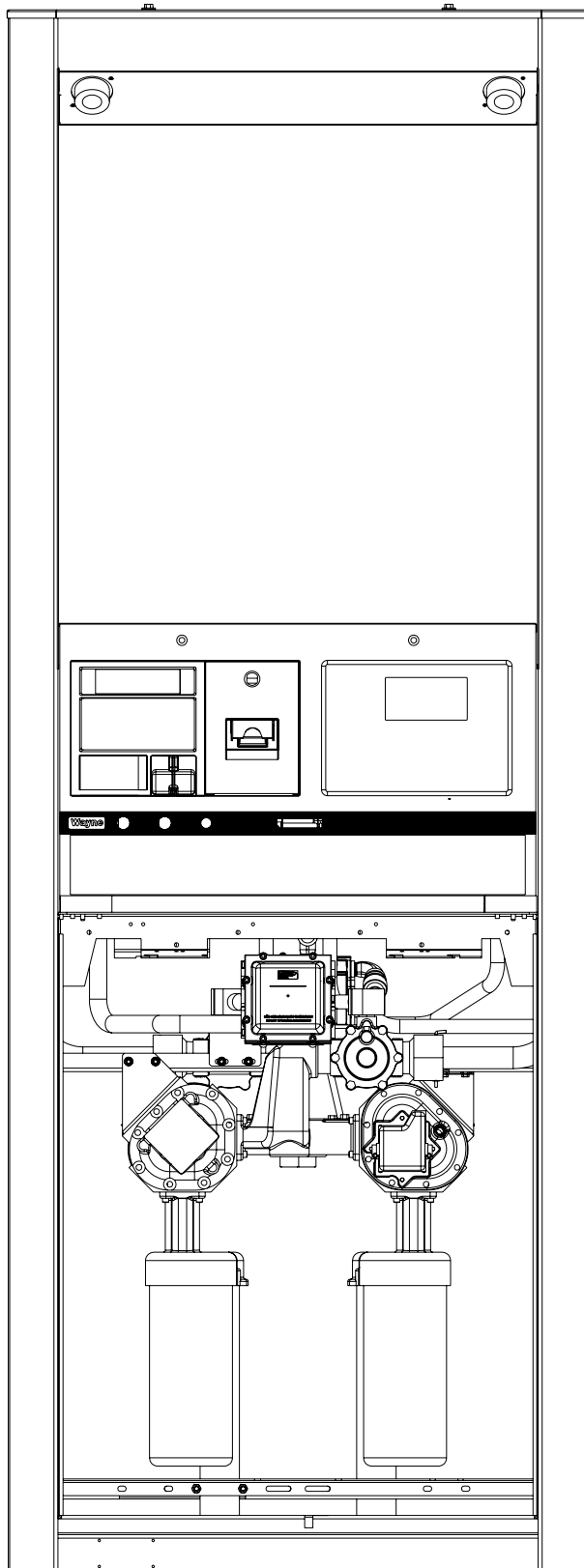


FRONT SIDE

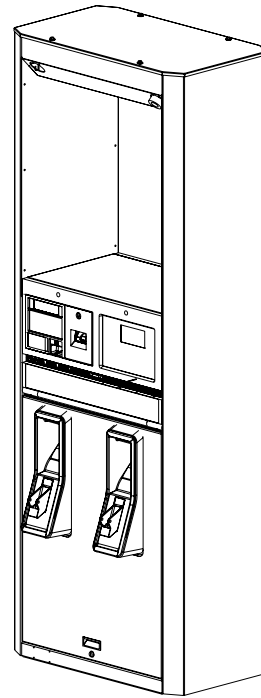


BACK SIDE

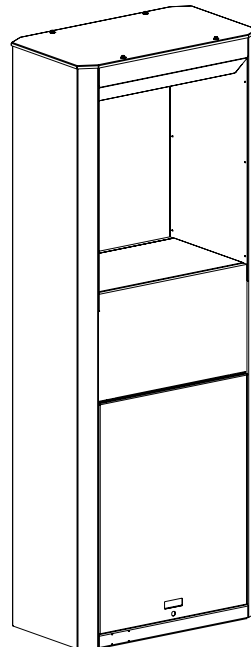
HS3/V389D/4R TWO-PRODUCT, SINGLE-SIDED MASTER/MASTER



FRONT VIEW

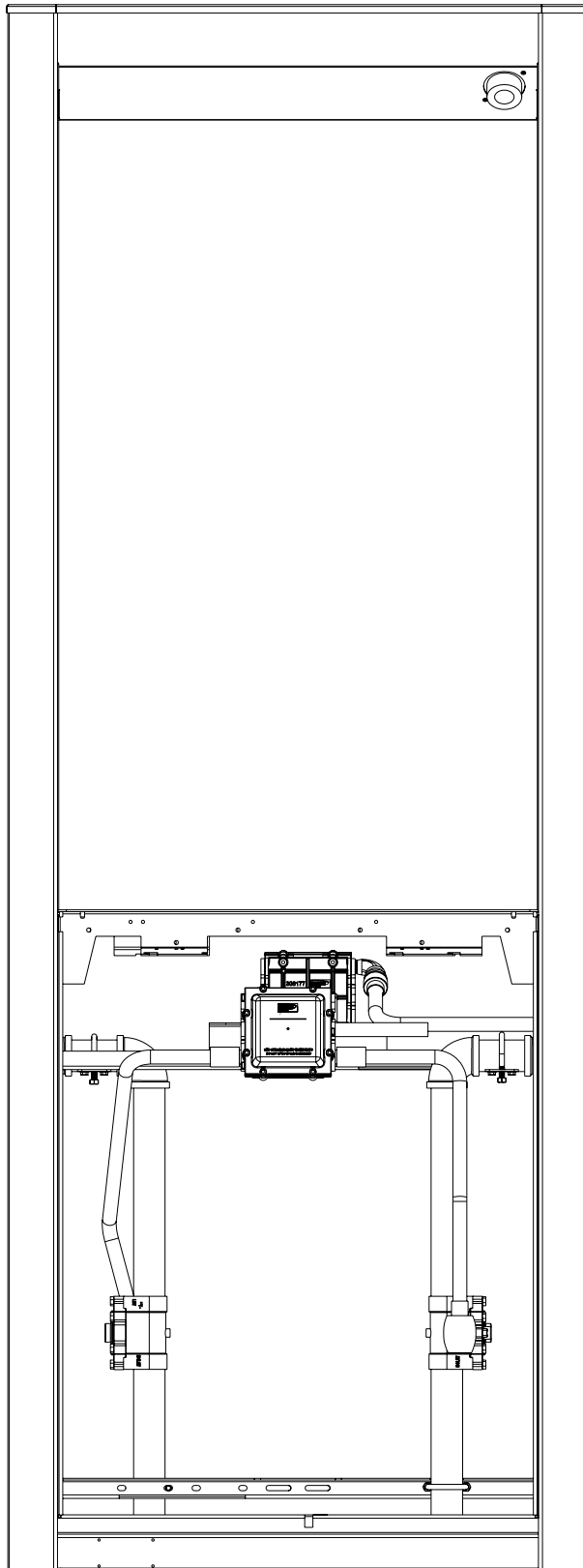


FRONT SIDE

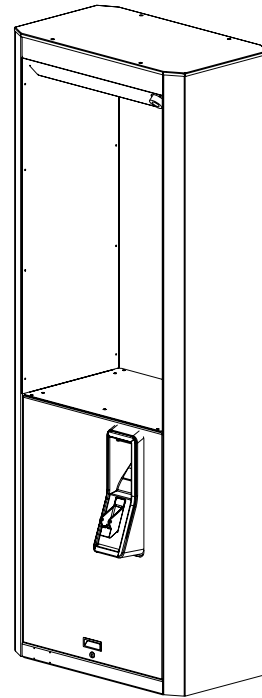


BACK SIDE

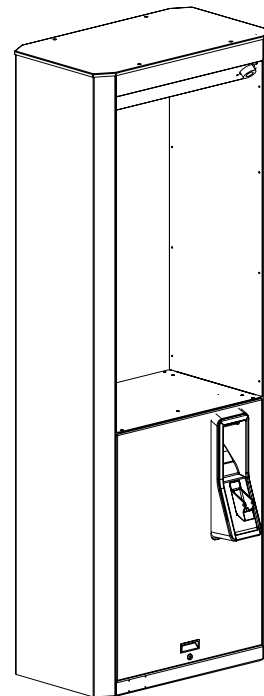
HS3/V288S SATELLITE/SATELLITE



FRONT VIEW

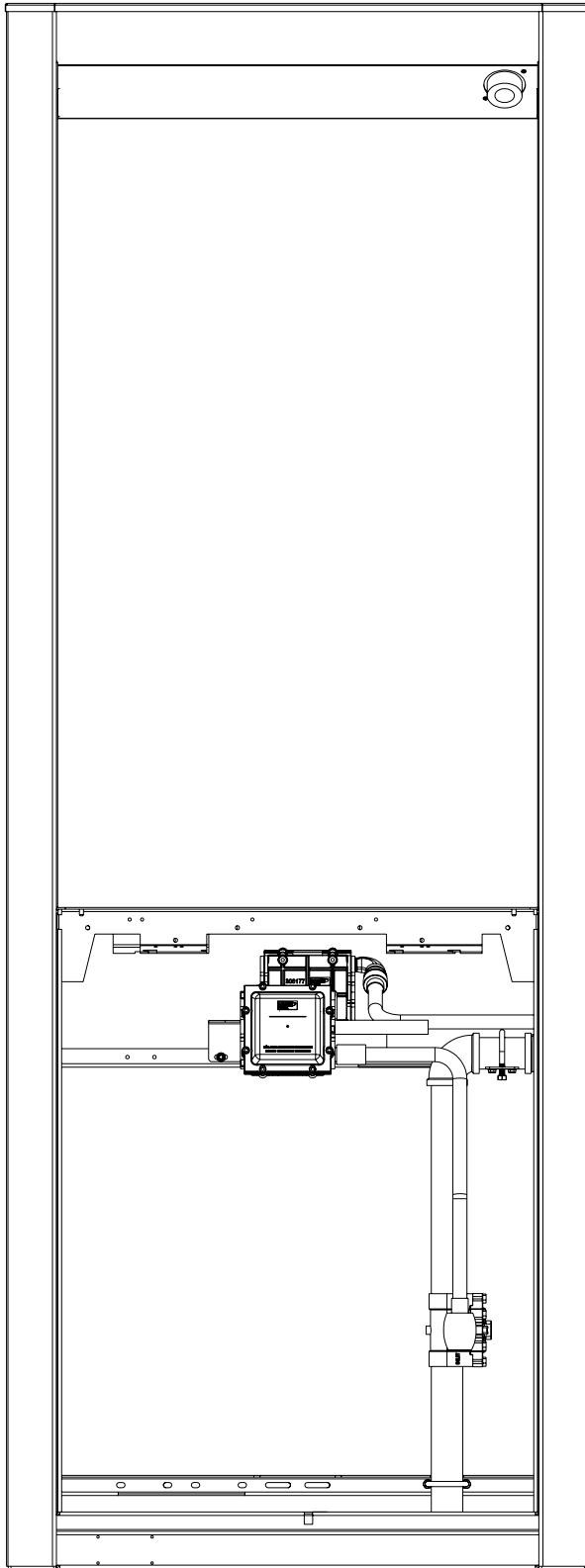


FRONT SIDE

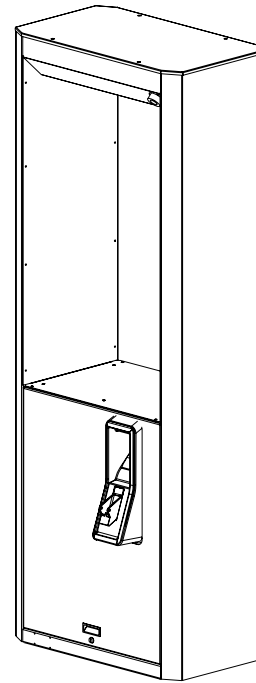


BACK SIDE

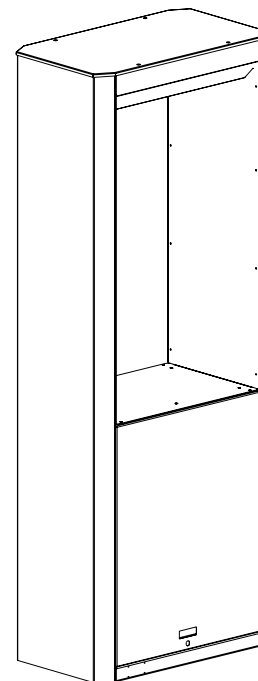
HS3/V287S/4R SATELLITE



FRONT VIEW

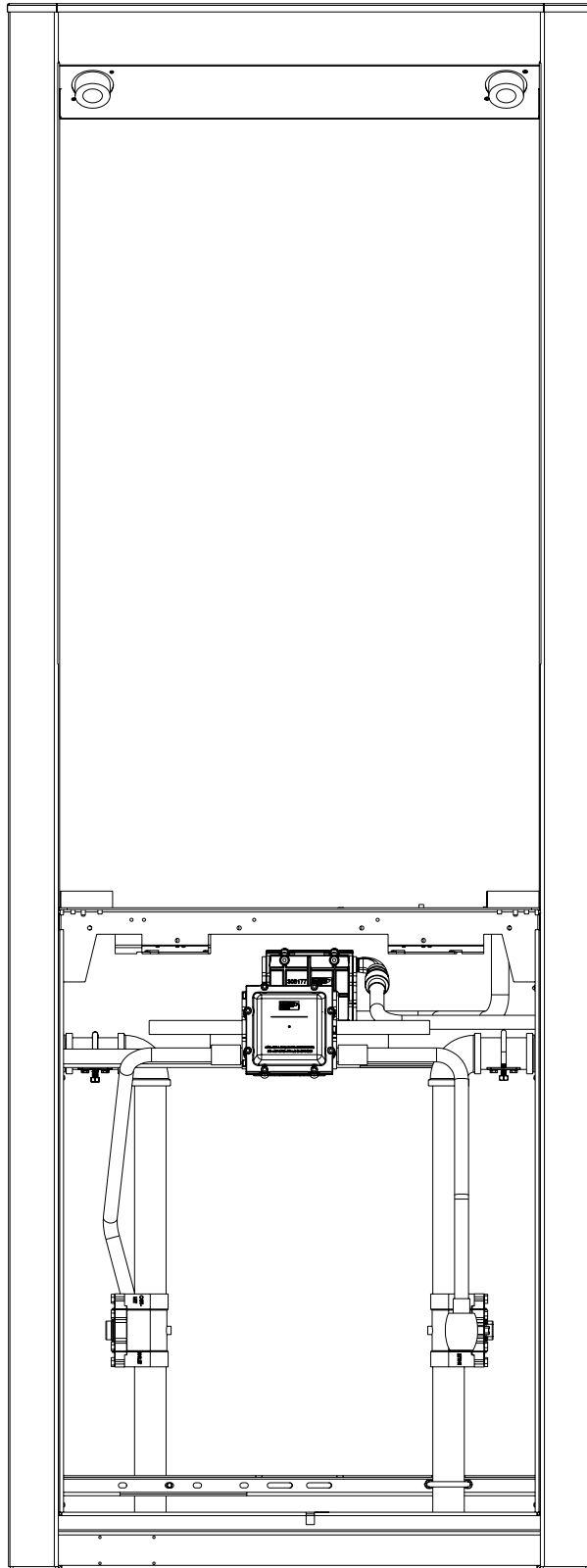


FRONT SIDE

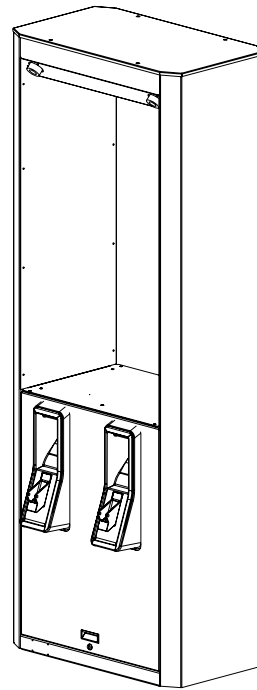


BACK SIDE

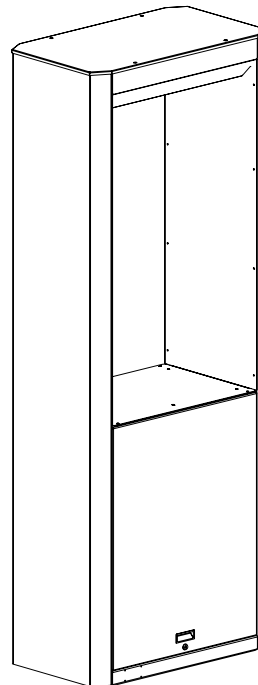
HS3/V289S/4R SINGLE SIDED SATELLITE/SATELLITE



FRONT VIEW

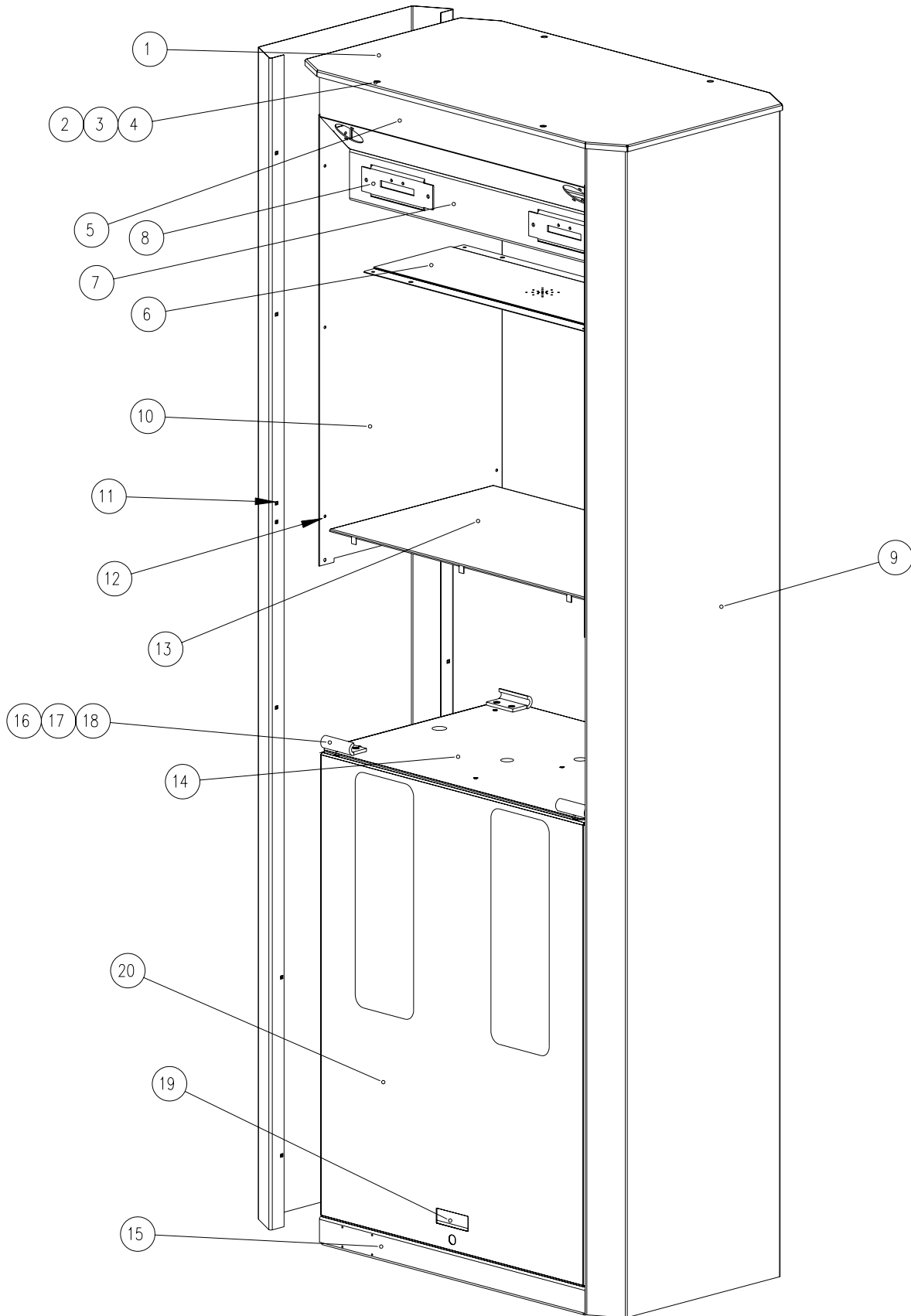


FRONT SIDE



BACK SIDE

Housing Components

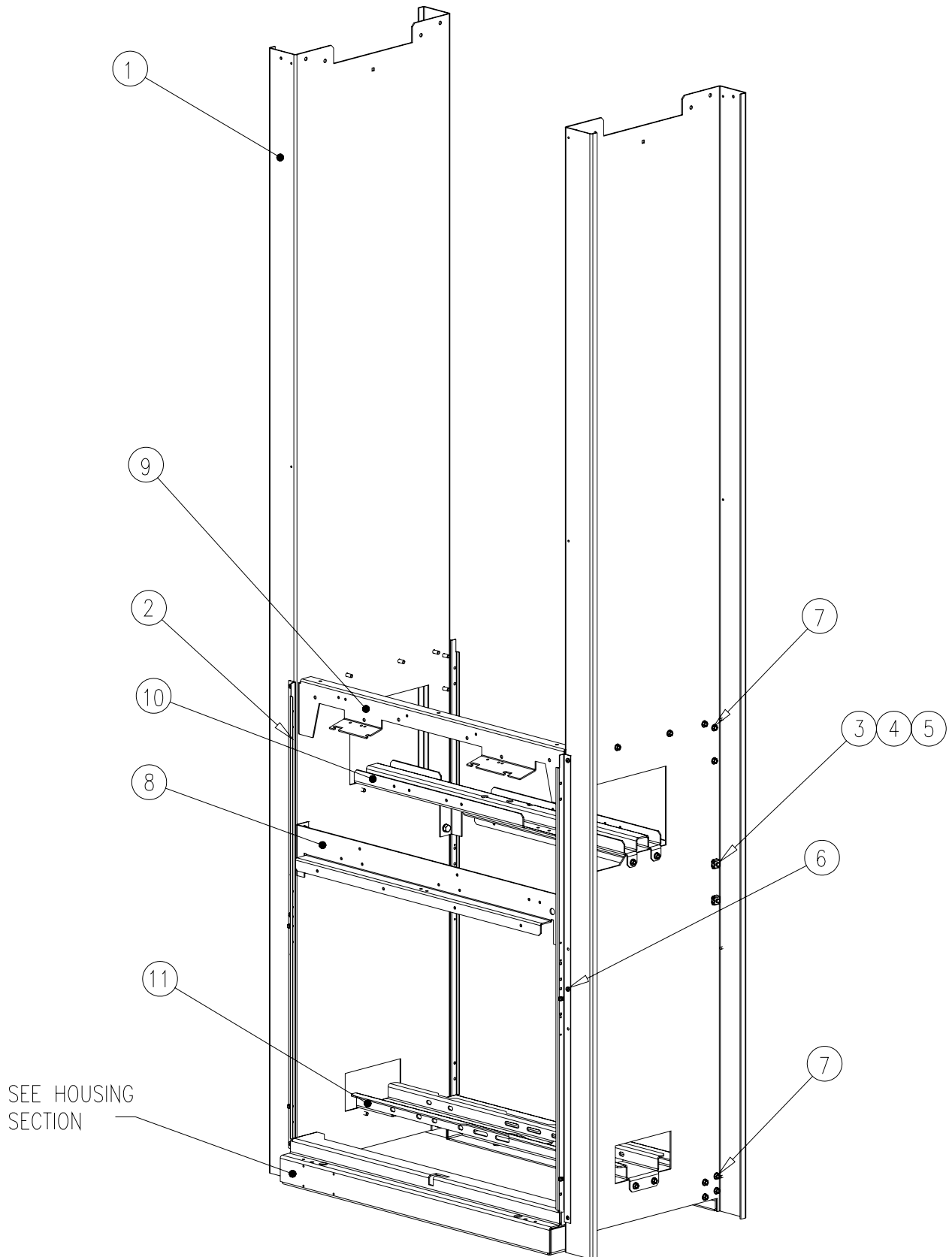


Housing Components

ITEM NO.	PART NO.	DESCRIPTION
1	007-047412-XXX	TOP COVER, BEVELED
	026-047412-XXX	TOP COVER, SQUARE
2	000-511096-	SCREW, 5/16-18 X 7/8 SS
3	000-511781-	WASHER, FLAT
4	000-916900-	WASHER, SEALING
5	002-047867-XXX	TOP PLATE, RIGHT HOSE OUTLET
	001-047867-XXX	TOP PLATE, RIGHT & LEFT HOSE OUTLET
	004-047867-XXX	TOP PLATE, NO HOSE OUTLETS
6	003-047902-XXX	LOWER COVER
7	888571-004-XXX	HOSE REEL CHANNEL (RIGHT SIDE REEL)
	888571-002-XXX	HOSE REEL CHANNEL (RIGHT AND LEFT SIDE REEL)
	888571-003-XXX	HOSE REEL CHANNEL (NO REEL)
8	002-039815-XXX	HOSE REEL BRACKET
9	002-047400-XXX	OUTER COLUMN SHEATH, BEVELED (PAINTED GALV)
	000-047400-000	OUTER COLUMN SHEATH, BEVELED (SS)
	004-047400-XXX	OUTER COLUMN SHEATH, SQUARE (PAINTED GALV)
	003-047400-000	OUTER COLUMN SHEATH, SQUARE (SS)
10	001-048020-XXX	INNER COLUMN SHEATH (PAINTED GALV)
	002-048020-	INNER COLUMN SHEATH (SS)
11	000-918590-	PLASTIC THREAD INSERT (SHROUD INSERTS)
12	000-918291-	SCREW, #8X1/2 BLACK (SHROUD SCREWS)
	000-918387-	SCREW, #8X1/2 SILVER (SHROUD SCREWS)
13	001-047977-XXX	TOP SHEATH (ELECTRONIC HEAD COVER)
14	006-301125-XXX	VAPOR BARRIER
15	890627-001-XXX	BASE HALF
16	001-202010-XXX	HINGE, VISTA BEZEL
17	000-507667-	FLAT HEAD SCREW, 1/4-20 X 5/8
18	000-513317-	NUT 1/4-20
19	000-918676-XXX	POCKET PULL
20	See Cust Spec	DOOR

Note: "-XXX" signifies a paint color. To ensure proper color, refer to the appropriate Customer Specification Sheet

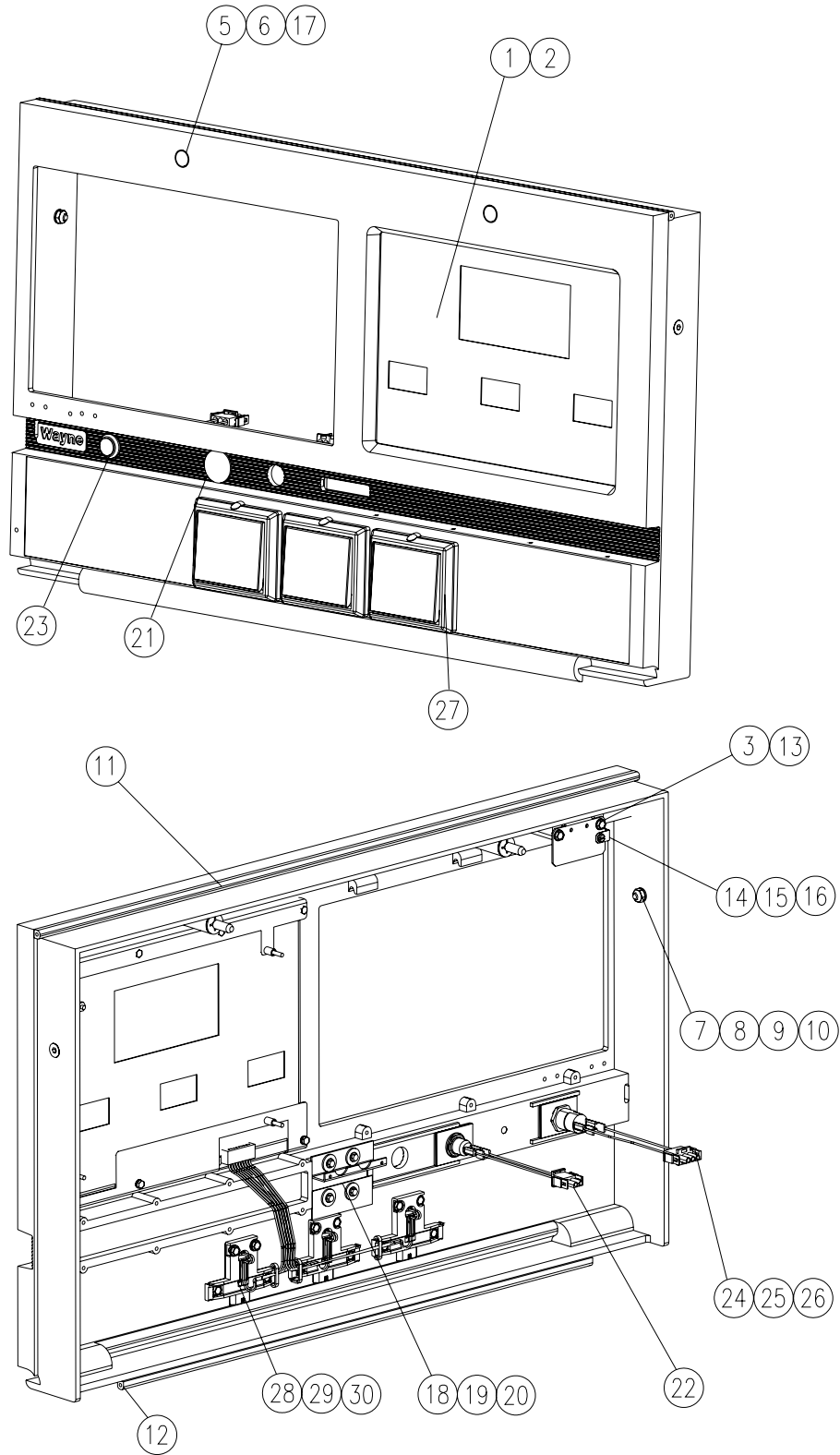
Frame Components



Frame Components

ITEM NO.	PART NO.	DESCRIPTION
1	002-301633	COLUMN, INNER HS3
2	002-047399-	DOOR STOP
3	000-507284-	BOLT, 5/16-18X3/4
4	000-902017-	WASHER, LOCK 5/16
5	000-918161-	NUT, 5/16-18CAGED
6	000-918291-	SCREW, #8 X ½ PHPH
7	000-918513-	SCREW,SHAKEPROOF
8	002-047592-	SUPPORT LOWER
9	003-047594-	SUPPORT, VAPOR BARRIER
10	890634-001	METER PLATFORM, HS3
11	890635-001	INLET BRACE, HS3

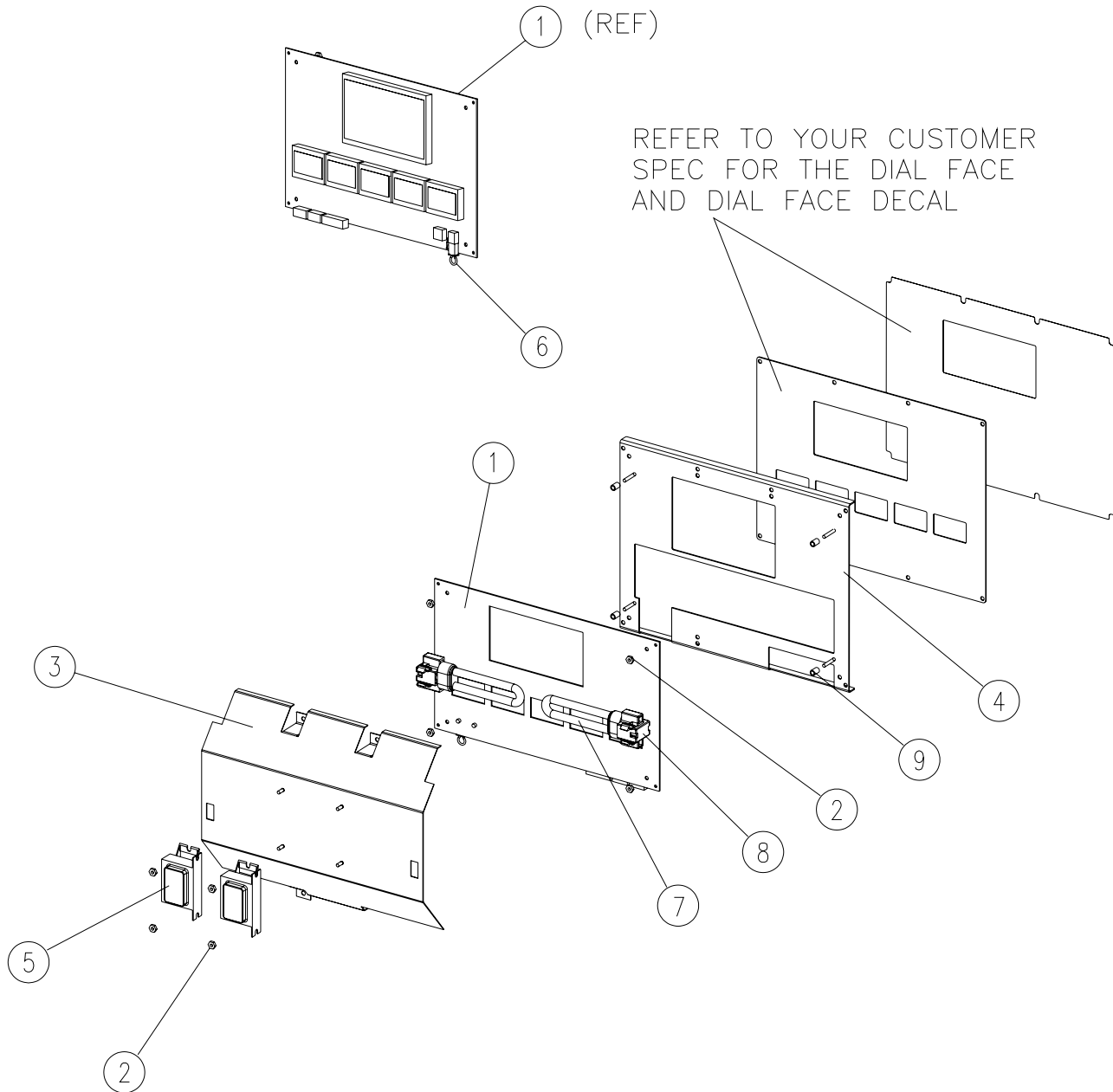
Bezel Components



ITEM NO.	PART NO.	DESCRIPTION
1	000-300777-	GLASS, DISPLAY
	000-039986-J21	DISPLAY PLATE
2	001-129818	GASKET
3	000-916546-	SCR 8X5/8 IW-AUNSTZN PLAS
4	000-916208-138	TAPE DBL CTD NEOPREN 1/4
5	001-202021-	SCREW,QUICK RELEASE
6	001-301675-	RETAINER,QUICK RELEASE
7	001-202011-	SUPPORT,BEZEL
8	001-921445-	SCREW,1/4-20X1/2 FHHSC
9	000-905245-	WSHR 1/4 FWSTCD
10	000-507827-	NUT 1/4-20 HXNTMSSSPA
11	004-129830-	GASKET
12	010-129830-	GASKET
13	001-301821-	MOUNTING BRKT
14	000-513653-	WSHR #8 .171X.375X.040 FW
15	001-301823-	GROUND STRAP
16	002-916607-	TTWA SCREW
17	001-202022-	KEY
18	002-201928-	TOTALIZER GASKET & GLASS ASSY
19	000-918933-	SCREW,#8-10X3/8 H.W.HD
20	004-202042-	PLATE,EMT MAGNETIC SHEILD
21	002-918509-	CALL BUTTON & SWITCH
	000-201785-	HARNESS,CALL BUTTON
22	003-918509-	STOP BUTTON & SWITCH
	008-201752-HRN	HARNESS,PUSH TO STOP
23	006-916191-	KEYSWITCH
24	000-129827-	GASKET - KEYSWITCH
25	000-129822-	PLATE - KEYSWITCH
26	009-201752-HRN	HARNESS,AUTHORIZE SWITCH
27	001-301751-J21	PUSH TO START SWITCH ASSY
28	001-301940-	GASKET,PTS
29	003-918104-	SCREW,PLAWA #10X5/8 PLAS
30	003-048042-HRN	CABLE ASSY,1SW 387/388
	004-048042-HRN	CABLE ASSY,2SW 389/R

Note: See Wiring Diagram section for cable assembly part numbers

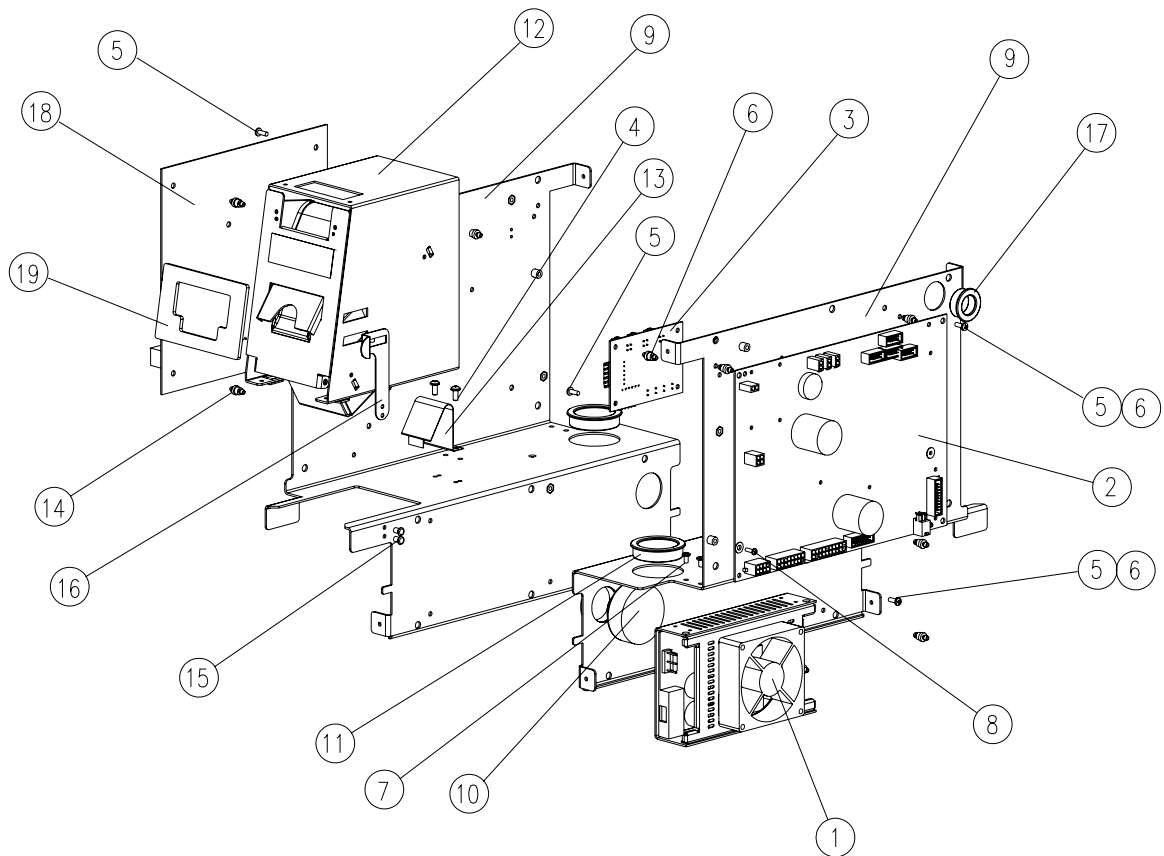
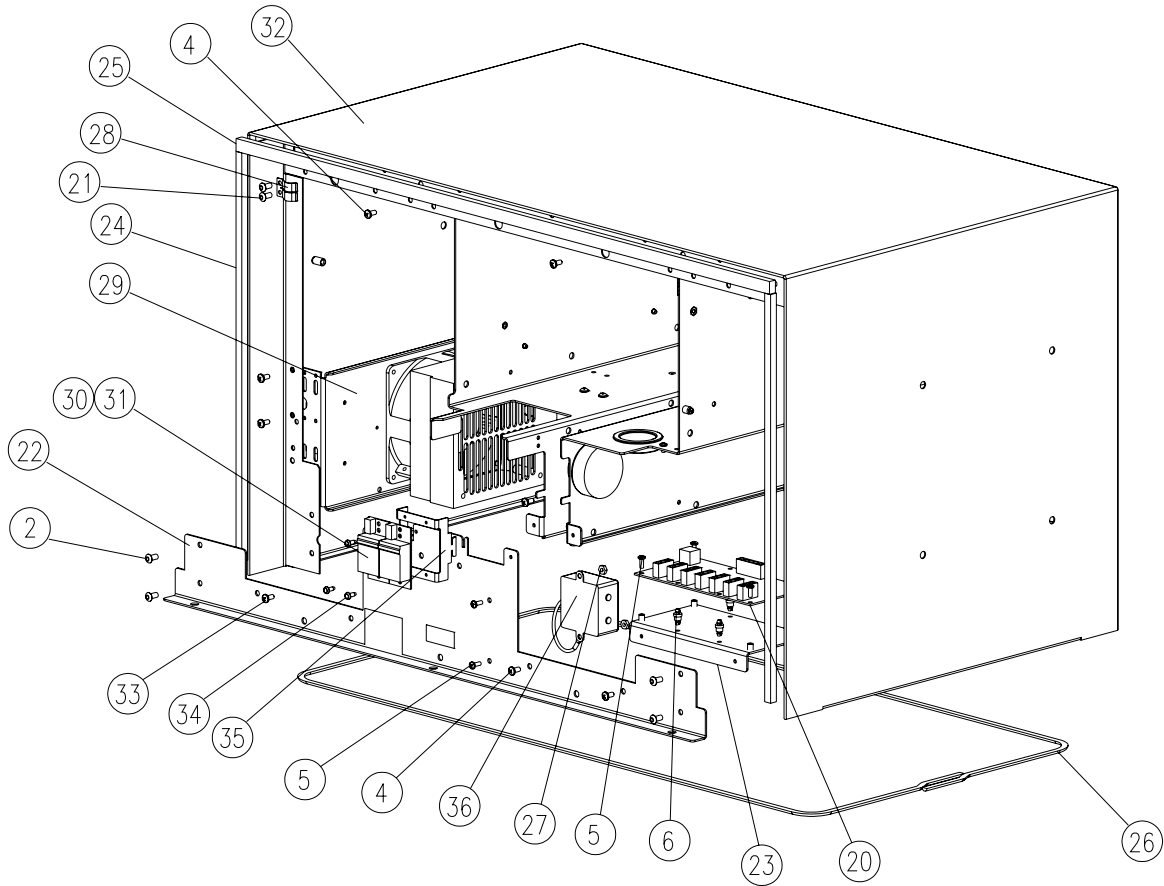
Display Components



Display Components

ITEM NO.	PART NO.	DESCRIPTION
1	890008-003	PCB ASSY, DISPLAY, ATC SINGLE PRICE
	887933-003	PCB ASSY, DISPLAY, DUAL PRODUCT
	887118-003	PCB ASSY, DISPLAY, 3 PRODUCTS
2	6019401	NUT, 6-32
3	888766-002-0W7	LAMP HOLDER BRACKET
4	888667-001	GLASS RETAINER BRACKET
5	881531-003	BALLAST ASSY, 120V
	881531-004	BALLAST ASSY, 220V
6	887811-001	JUMPER CABLE ASSY
7	4060703	LAMP
8	886982-002	LAMP HOLDER
9	886475-001	SPACER, STEEL, 1/4" OD, 3/8" LONG

Electronic Head Components

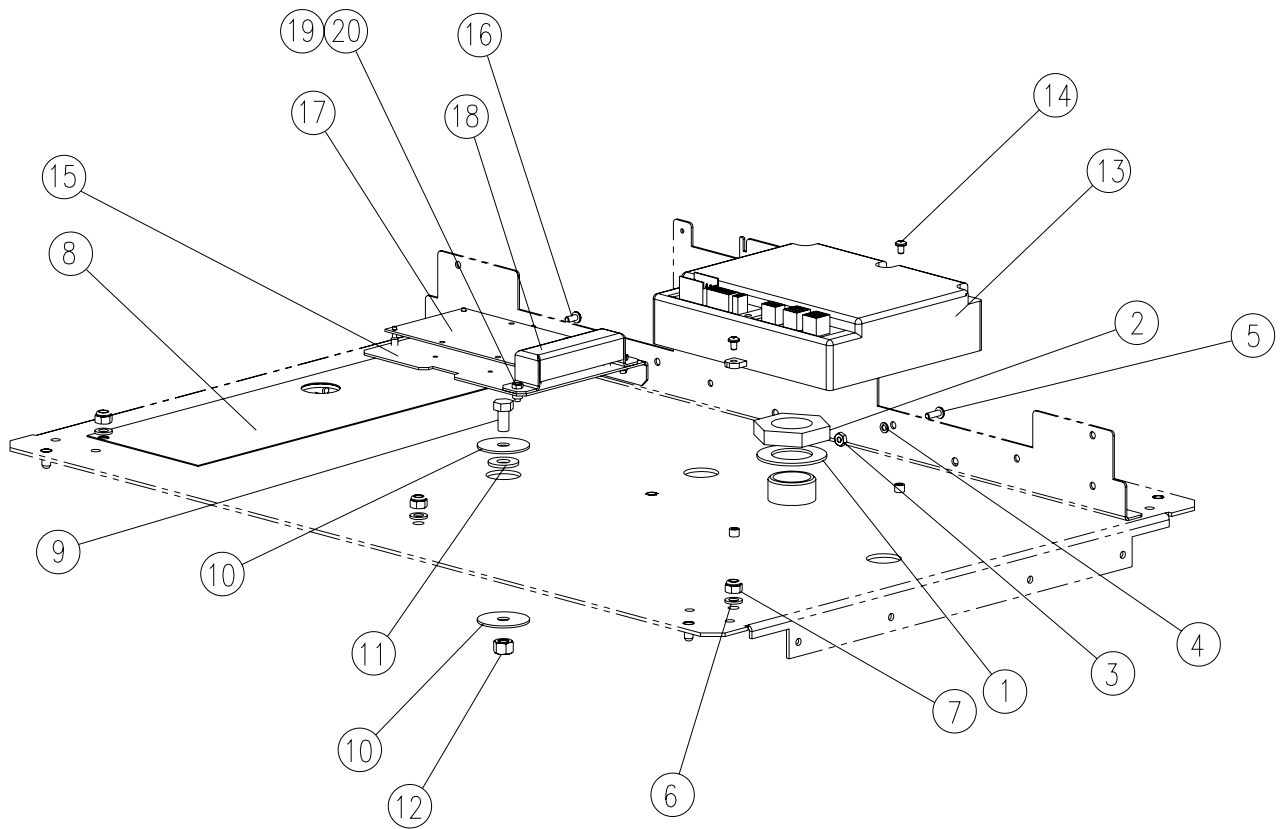


Electronic Head Components

ITEM NO.	PART NO.	DESCRIPTION
1	887334-002	POWER SUPPLY, 24V
2	173976	PCB ASSY, IGEM CLOOP/DART
3	887223-001	PCB ASSY, IGEM, 24V POWER
4	6032301	SCREW, 8 X 3/8
5	6005901	SCREW, 6 X 3/8
6	882505-002	STANDOFF, NYLON
7	6005910	SCREW, 6-32 X 1/4
8	6005907	SCREW, 4-40 X 3/8
9	887655-001	PRINTER BRACKET
10	886495-002	ANNUNCIATOR
11	886922-002	GROMMET
12	889022-002	PRINTER
13	883757-001	SPRING
14	882505-003	PCB STANDOFF, NYLON
15	6018404	POP RIVET
16	887650-001	PRINTER RETAINER
17	5057502	GROMMET
18	887500-001	PCB ASSY, DUAL CAT
	887500-019	PCB ASSY, DUAL CAT, CANADA
19	888687-001	PRINTER GASKET
20	887225-001	PCB ASSY, IGEM PUMP RELAY
21	000-918286-	RIVET, 3/16 DIA.
22	887530-001	BASE ANGLE
23	887377-001	AC DISTRIBUTION BRACKET
24	009-129830-000	GASKET, 16"
25	002-202016-000	GASKET, 28.5"
26	004-129818-	GASKET
27	6019401	NUT, 6-32
28	001-921425-750	SHIELDING GASKET
29	883798-002	HEATER FAN ASSY, 115V
	883798-005	HEATER FAN ASSY, 220V
30	883540-002	TOTALIZER
31	887596-001	TOTALIZER CABLE, 1 PRODUCT
	887596-011	TOTALIZER CABLE, 1 PRODUCT DS 387, 388
	887596-002	TOTALIZER CABLE, 2 PRODUCTS
32	888713-001	HEAD ENCLOSURE, WITHOUT TRAC
	888713-002	HEAD ENCLOSURE, WITH TRAC
33	-513161-	SCREW
34	-918915-	SCREW
35	001-300789-	TOTALIZER BRACKET
36	888129-001	EMI FILTER

Note: See Wiring Diagram section for cable assembly part numbers

Electronic Head Components

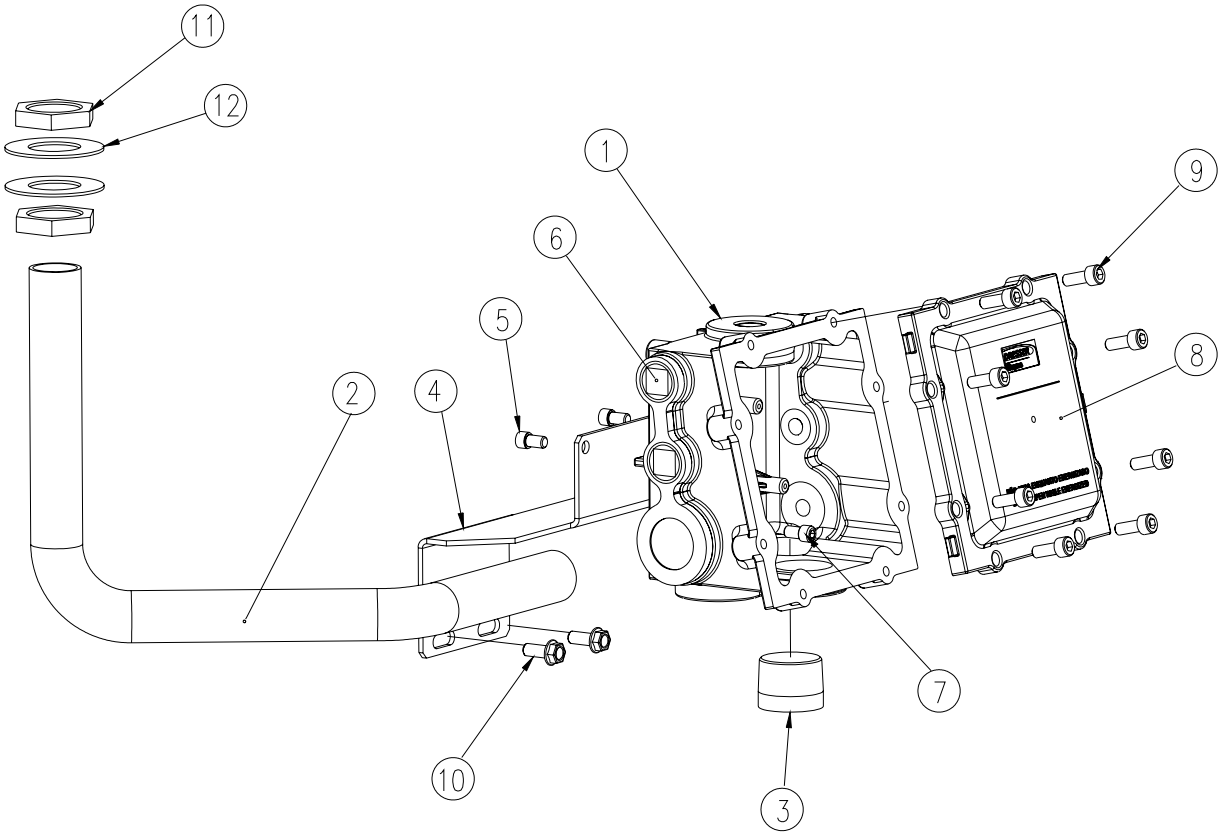


Electronic Head Components

ITEM NO.	PART NO.	DESCRIPTION
1	005-126817-	WASHER-FLAT (2 PER POTTED ISB FITTING)
2	004-129498-	LOCKNUT, CONDUIT (FOR POTTED ISB FITTING)
3	000-507868-	NUT 8-32 (ISB GROUND WIRE)
4	000-916736-	WSHR LOCK #8 (ISB GROUND WIRE)
5	000-918137-	SCREW 8-32 X 1/2 (ISB GROUND WIRE)
6	000-905245-	WSHR 1/4 FWSTCD (6 TO MOUNT ELEC HEAD)
7	000-918210-	NUT 1/4-20 (6 TO MOUNT ELEC HEAD)
8	003-301150-	PLATE, GROUND HS3
9	000-507053-	BLT 5/16-18X5/8 HHCSUNGZC
10	001-916931-	WASHER, VAPOR BARRIER HOLE PLUG LARGE
11	004-916931-	WASHER, VAPOR BARRIER HOLE PLUG SMALL
12	000-511883-	NUT, STOP 5/16-18 ZINC PL
13	005-300825-	ISB BOARD, 3V NON-ATC
	006-300825-	ISB BOARD, 3V WITH ATC
14	000-918935-	SCREW, #8-32 X 1/4 (2 FOR ISB MTG)
15	887377-002	BRACKET, PPM MOUNT
16	6032301	SCREW, #8 X 3/8"
17	890857-001	PCB ASSY, PPM PROGRAMMED
18	890639-001	SEAL BRACKET, UHC
19	001-921221-	SEAL SCREW, M4 X .7 X 10MM HHSESS
20	000-905410-	SEAL WIRE WITH LEAD SEAL (TO SEAL PPM BOARD SWITCH)

Note: See Wiring Diagram section for cable assembly part numbers

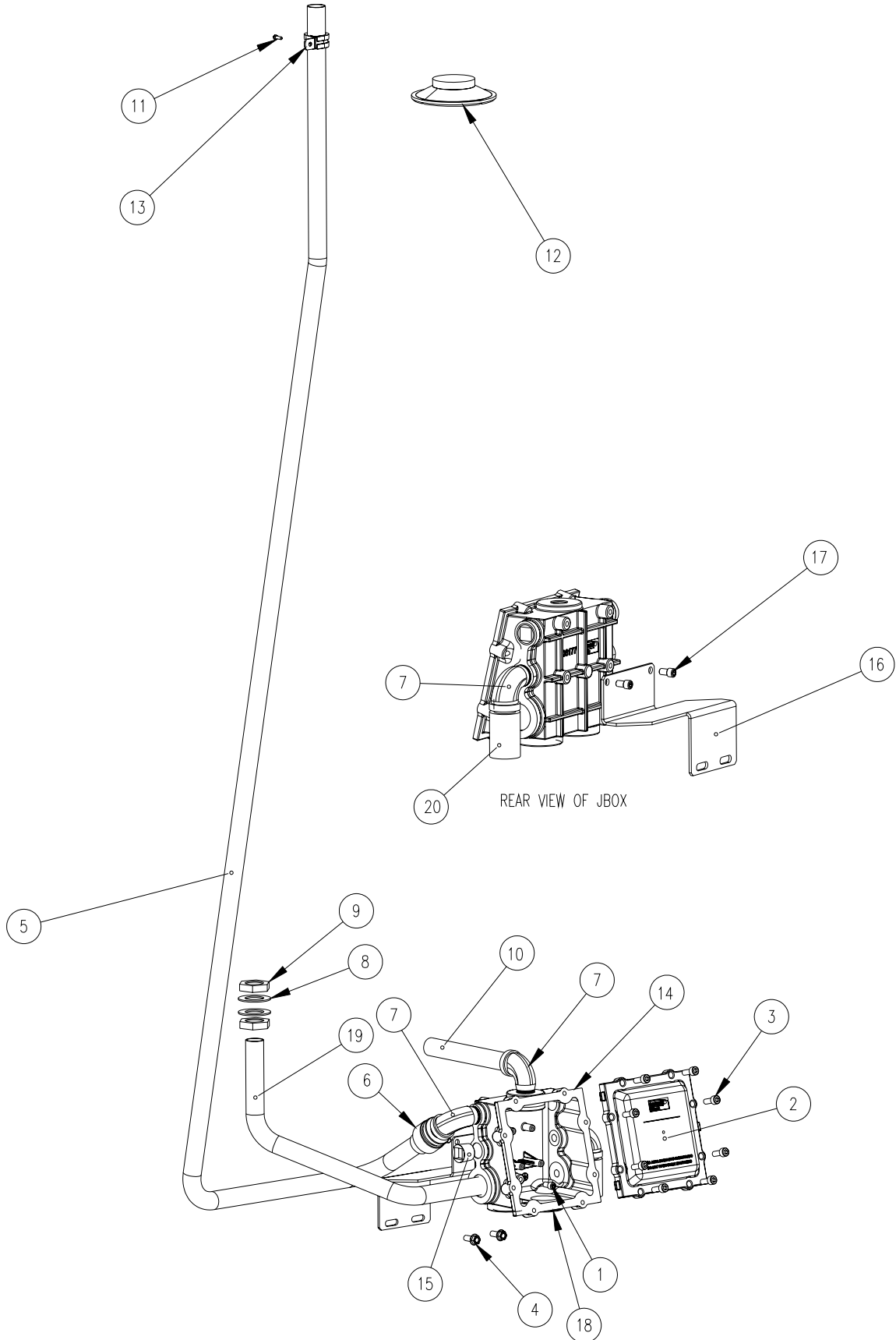
Main Junction Box and Potted Conduit Components



Main Junction Box and Potted Conduit Components

ITEM NO.	PART NO.	DESCRIPTION
1	005-306177	JBOX, UHC MAIN (FRONT SIDE)
2	007-301809-001	POTTED AC CONDUIT/HARNESS, HS3 (ALL EXCEPT V389D/R)
	007-301809-002	POTTED AC CONDUIT/HARNESS, HS3/V389D/R
3	000-509655	PLUG, 1"NPT (FOR BOTTOM OF JBOX)
4	890454-001	BRACKET, JBOX, UHC
5	001-921219	SCREW, JBOX MTG
6	000-508919	PLUG, 1/2" (FOR SIDES OF JBOX)
7	001-921551	SCREW, M6 X 8MM GROUND GREEN
8	001-306180	JBOX COVER
9	001-921053	SCREW, (JBOX COVER)
10	000-918513	SCREW, 1/4" X 5/8"LONG SLFTAP
11	002-129498-	CONDUIT NUT, 3/4" CONDUIT
12	006-126817-	CONDUIT WASHER, 3/4" CONDUIT

Rear Junction Box Components



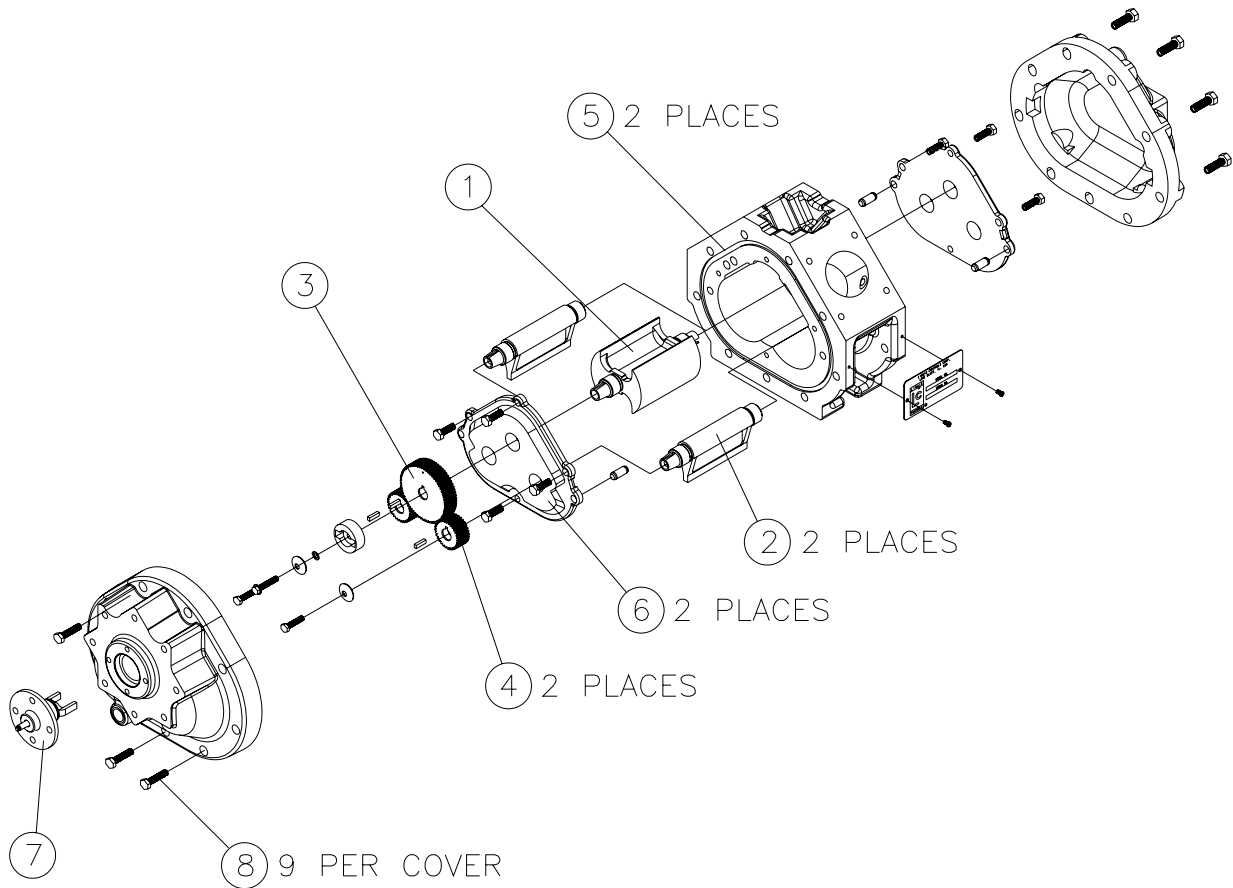
Rear Junction Box Components

ITEM NO.	PART NO.	DESCRIPTION
1	001-921551	SCREW, M6 X 8MM GROUND GREEN
2	001-306180	JBOX COVER
3	001-921053	SCREW, (JBOX COVER)
4	000-918513	SCREW, 1/4" X 5/8"LONG SLFTAP(2 TO MT JBOX BRKT)
5	008-301167	CONDUIT, POTTED HS3 VAL LIGHT&SPKR
6	000-122265-	CONDUIT UNION, 1/2"M/F
7	001-124856-	CONDUIT ELBOW, 1/2"X90°
8	000-126817-	WASHER, .875 ID
9	005-129498-	LOCK NUT, CONDUIT
10	001-305582-	ISB, SATELLITE BOOT SWITCH
11	000-512795-	SCREW, 10-32 X 3/8
12	001-921042-	SPEAKER
13	000-918463-	CLAMP, TUBE SUPPORT
14	003-306177	JBOX, UHC 2 ND BOX (BACK SIDE)
15	000-508919	PLUG, 1/2" NPT, HEX SOCKET (FOR SIDES OF JBOX)
16	890454-001	BRACKET, JBOX
17	001-921219	SCREW, JBOX MTG
18	000-509655	PLUG, 1"NPT (FOR BOTTOM OF JBOX)
19	890861-001	POTTED CONDUIT/HARNESS, TRAC/CALL BUTTON
20	001-218941-	EXPANSION CONDUIT UNION

Meter and Filter Assembly Components

ITEM#	PART NUMBER	DESCRIPTION
1	890250-001	CASTING, DUAL FILTER, MACH
2	889559-002	O-RING, METER INLET
3	000-916851	SCREW, 1/4-20X7/8" ZP
4	890461-001	METER, LC M5 (SEE "METER COMPONENTS" SECTION FOR SUBCOMPONENTS)
5	890456-001	BRACKET, PULSER LC
6	001-300817	PULSER, WAYNE OPTICAL
7	889854-001	SCREW, PULSER TO LC BRACKET
8	890460-001	COUPLER, PULSER TO LC
9	002-907694-	PIN, 3/32DIA X 5/8, T/5 GROOVE
10	890452-001	BRACKET, LC METER
11	507054-	SCREW, 5/16-18X1"HHC
12	904314-	WASHER, 5/16 FLAT
13	000-511781	WASHER, FLAT 3/8", ZP
14	902017-	WASHER, 5/16 SPLIT LOCK
15	509584-	NUT, 5/16
16	000-918513	SCREW, 1/4" X 5/8" SLFTAP
17	890255-001	SPIN-ON FILTER, 800 SERIES, 30 MICRON
	890255-002	SPIN-ON STRAINER, 800 SERIES, 100 MESH
18	890466-015-500	PIPE, 2"NPTX 15-1/2" (SINGLE, TW2 INLET)
19	890466-011-	PIPE NIPPLE, 2"NPT X 11" (TW1 INLET)
20	004-127422	U-BOLT, 2" PIPE
21	890253-001	MANIFOLD, TW1 UHC, MACH
22	123466	O-RING, UHC MANIFOLD OUTLETS

Meter Components

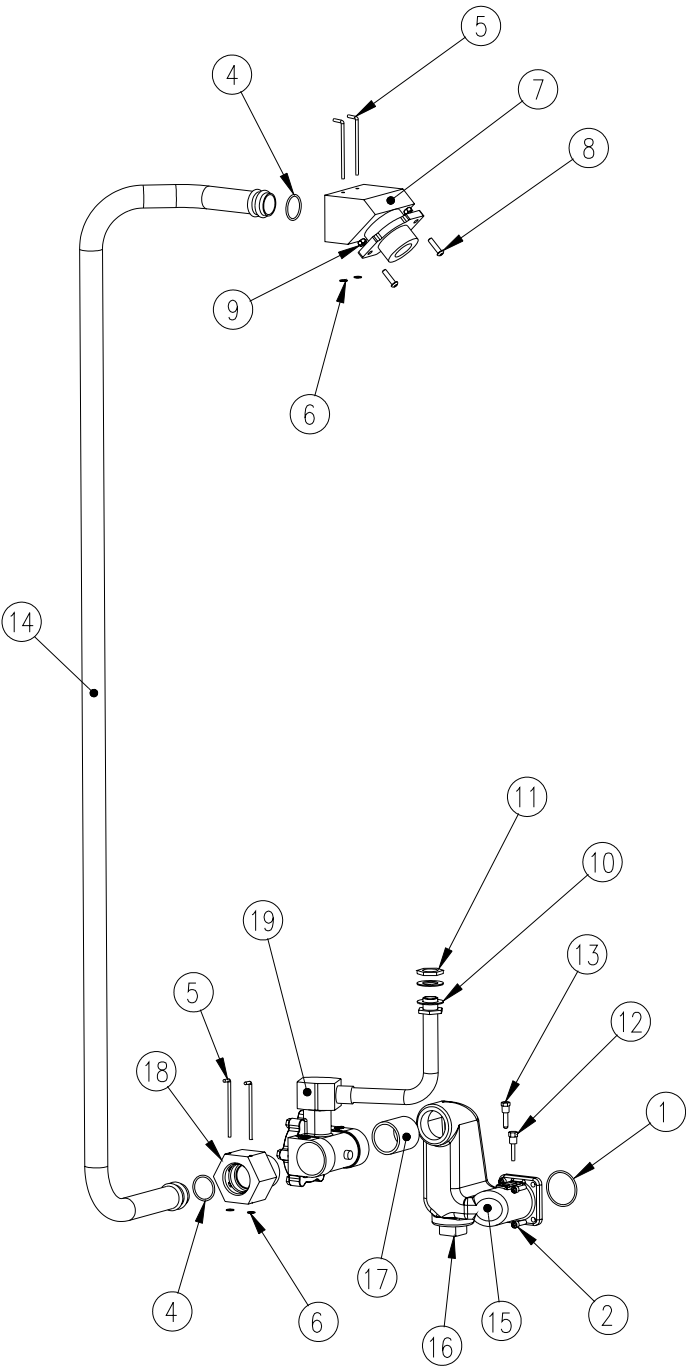


Meter Components

ITEM#	PART NUMBER	DESCRIPTION
1	890899-001	BLOCKING ROTOR
2	890899-002	DISPLACEMENT ROTOR
3	890899-003	GEAR, BLOCKING ROTOR
4	890899-004	GEAR, DISPLACEMENT ROTOR
5	890899-005	O-RING, COVER SEAL
6	890899-006	BEARING PLATE
7	890899-007	PACKING GLAND ASSY
8	890899-008	SCREW, COVER

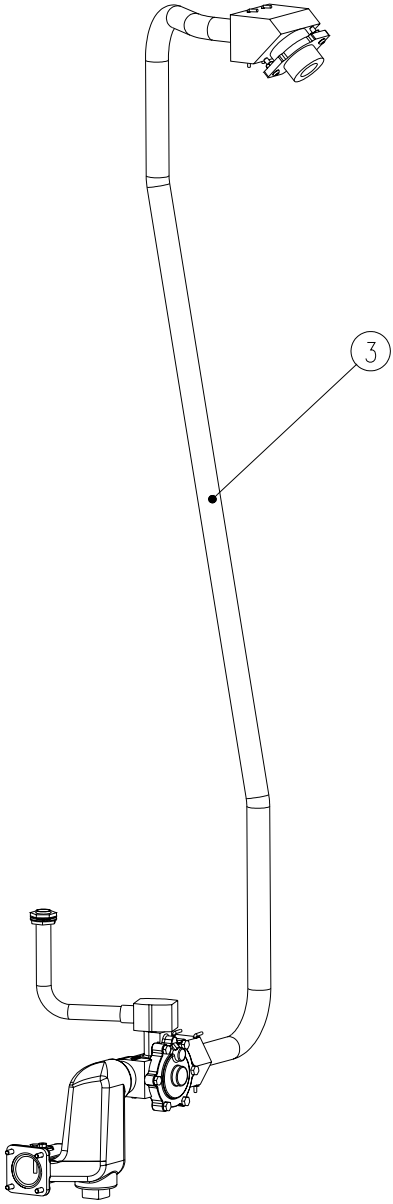
Note: If there is a problem with the meter during the warranty period, the entire meter assembly (p/n 890461-001) should be replaced by the ASO. After the warranty period, individual meter parts may be replaced.

Valve and Discharge Components



SIDE 2 FOR MODEL 389D/R

(NOTE: EXPLODED COMPONENTS, EXCEPT FOR PRODUCT TUBES, ARE THE SAME ON SIDE 1 AND SIDE 2)

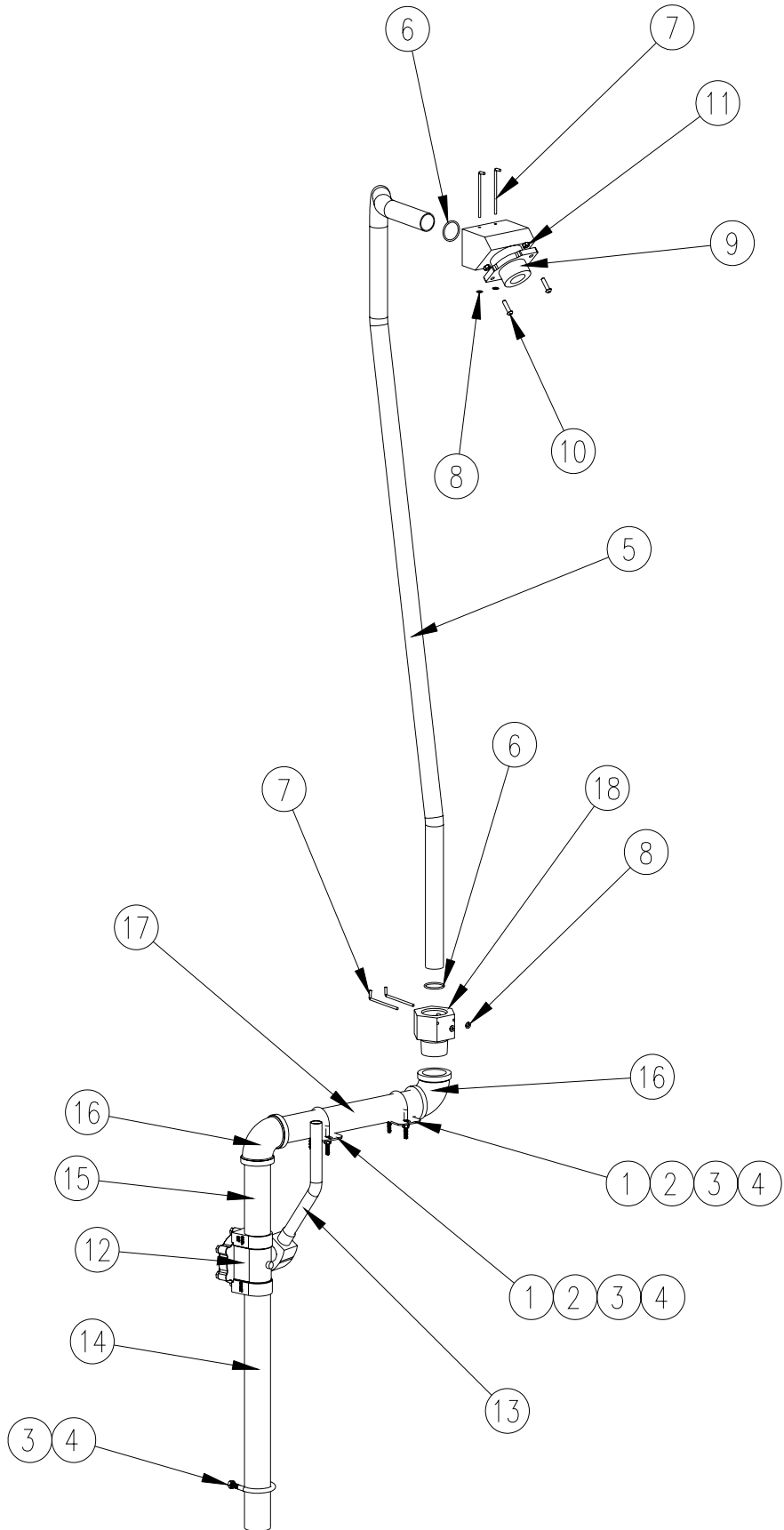


SIDE 1 ASSEMBLY
(ALSO USED ON THE SECOND SIDE OF THE 387D AND 388D)

Valve and Discharge Components

ITEM NO.	PART NO.	DESCRIPTION
1	889559-002	O-RING, METER OUTLET
2	000-916851	SCREW, 1/4-20X7/8" ZP (LC OUTLET)
3	890845-001	TUBE, HS3 HH RIGHT SIDE
4	890122-001	O-RING, 1.312 DBLBUMP
5	890051-001	LOCKPIN, 1.312 DBLBUMP
6	890123-001	LOCKPIN RETAINER, 1.312 DBLBUMP
7	889742-001	OUTLET VISTA, 1.312 DBLBUMP
8	007-511297	SCREW (OUTLET)
9	000-513317	NUT, LOCK (OUTLET)
10	000-126817-	WASHER, .875 ID, 1/2" CONDUIT, MACHINED
11	005-129498-	NUT, 1/2" CONDUIT, MACHINED
12	889565-001	THERMISTOR PROBE (ATC ONLY)
13	888841-001	THERMAL TEST WELL (ATC ONLY)
14	890846-001	TUBE, HS3 HH LEFT SIDE
15	890254-001	CASTING, METER OUTLET, NON-ATC
	890254-002	CASTING, METER OUTLET, WITH ATC
16	150-509655	PIPE PLUG, 1-1/2NPT
17	002-127756	PIPE NIPPLE, 1-1/2NPT X 2" LONG (BEFORE VLV)
18	889743-001	ADAPTER, 1.312 DOUBLEBUMP
19	890632-002	SOLENOID VALVE/POTTED CONDUIT ASSY, 24V

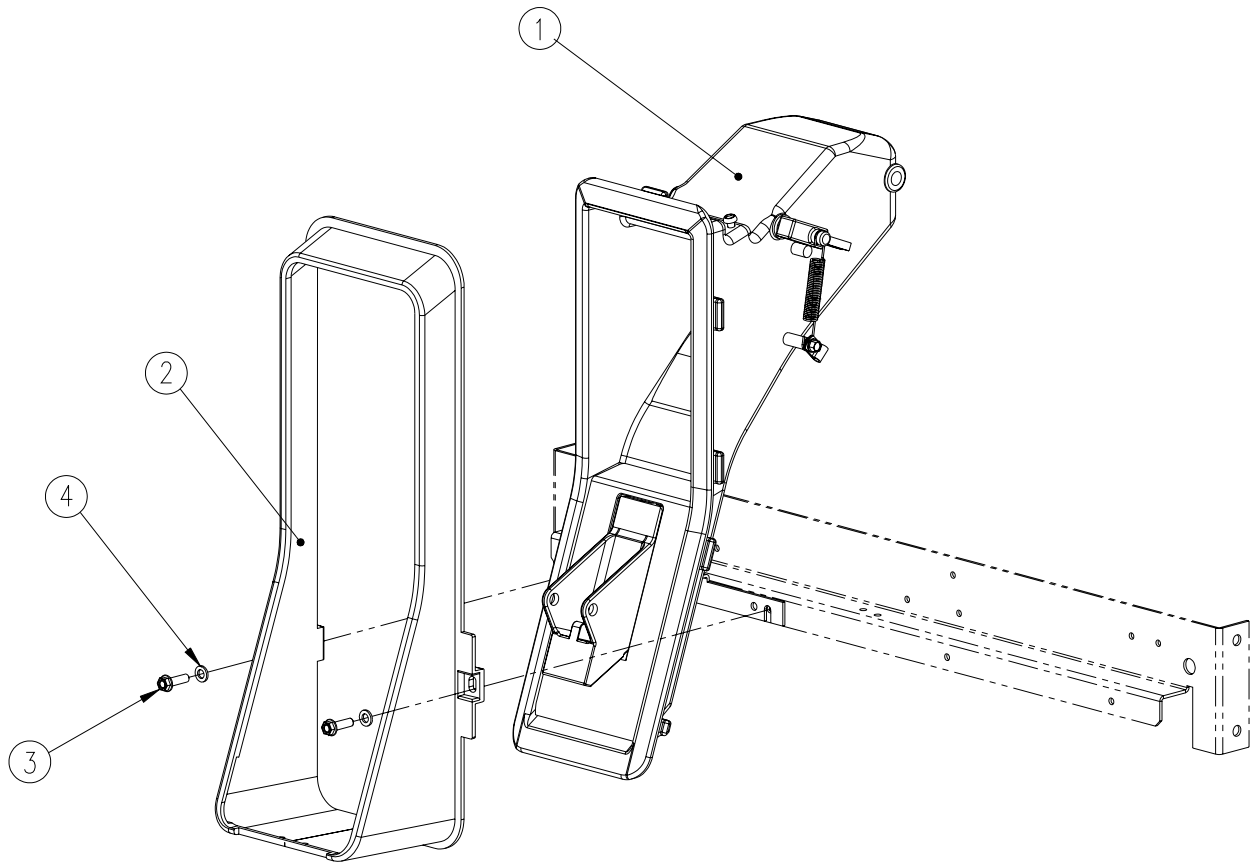
HS3/V388C Master/Satellite Combo – Satellite Hydraulic Components



HS3/V388C Master/Satellite Combo – Satellite Hydraulic Components

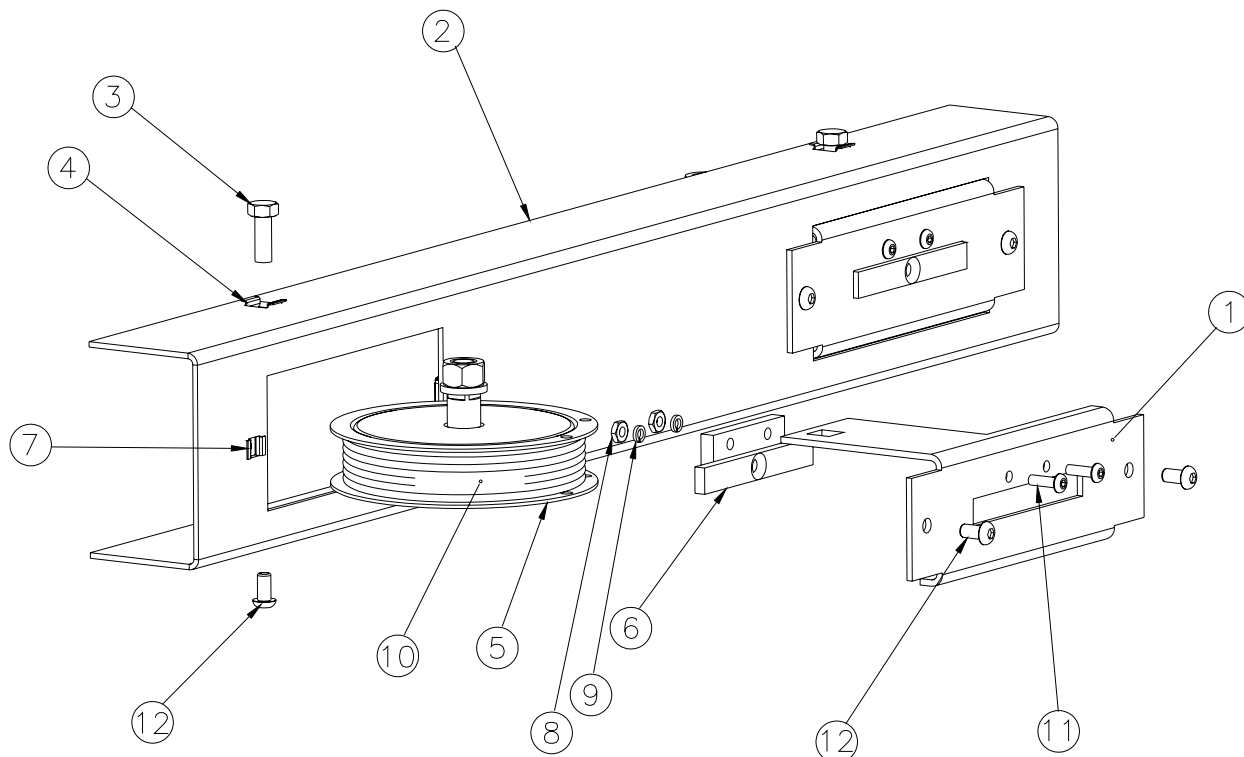
ITEM NO.	PART NO.	DESCRIPTION
1	890628-001	BRACKET, DISCH UHC VISTA/SAT
2	000-918513	SCREW, 1/4" X 5/8"LONG SLFTAP
3	002-127422-	U-BOLT, 1-1/2" PIPE
4	000-509584-	NUT, 5/16-18
5	890865-001	TUBE, HS3 SAT HH RIGHT SIDE
6	890122-001	O-RING, 1.312 DBLBUMP
7	890051-001	LOCKPIN, 1.312 DBLBUMP
8	890123-001	LOCKPIN RETAINER, 1.312 DBLBUMP
9	889742-001	OUTLET VISTA, 1.312 DBLBUMP
10	007-511297	SCREW (OUTLET)
11	000-513317	NUT, LOCK (OUTLET)
12	890842-001	SOL VALVE, ASCO 1-1/2"NPT, 24V
13	890843-001	CONDUIT, SAT COMBO UHC GC/SEL
14	018-127756-000	PIPE NIPPLE, 1-1/2NPT X 18" LONG, GALV
15	006-127756-500	PIPE NIPPLE, 1-1/2NPT X 6.50" LONG, GALV
16	-508894-	PIPE ELBOW, 1-1/2NPT, F/F
17	013-127756-500	PIPE NIPPLE, 1-1/2NPT X 13-1/2" LONG
18	889743-001	ADAPTER, 1.312 DOUBLEBUMP

Nozzle Boot Components

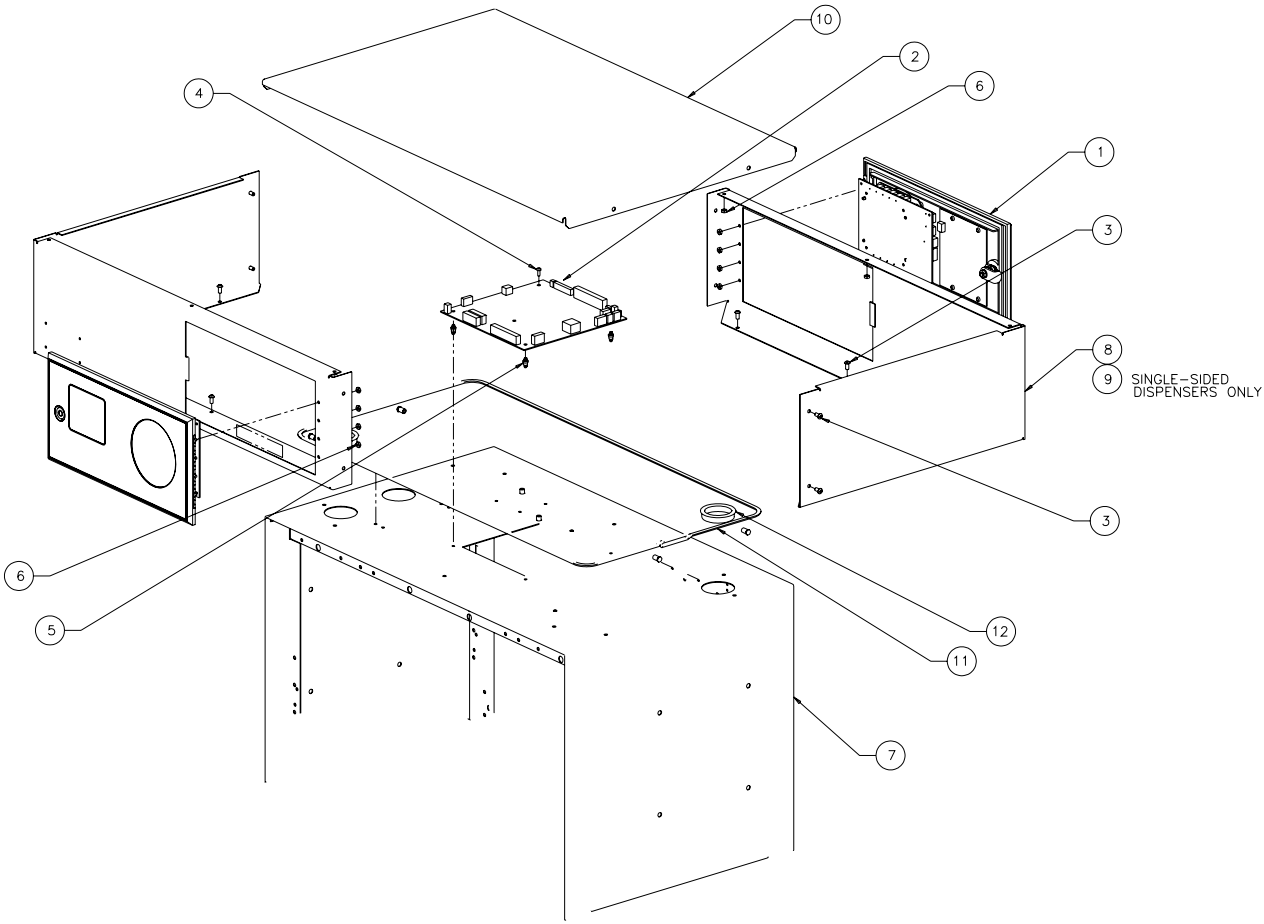


ITEM NO.	PART NO.	DESCRIPTION
1	001-047790-	NOZZLE BOOT, LTS
	001-047792-	NOZZLE BOOT, PTS
2	000-047377-000	NOZZLE COLLAR
3	000-916695-	SCREW, 1/4-20 X 7/8
4	000-905245-	WASHER, LOCK 1/4"

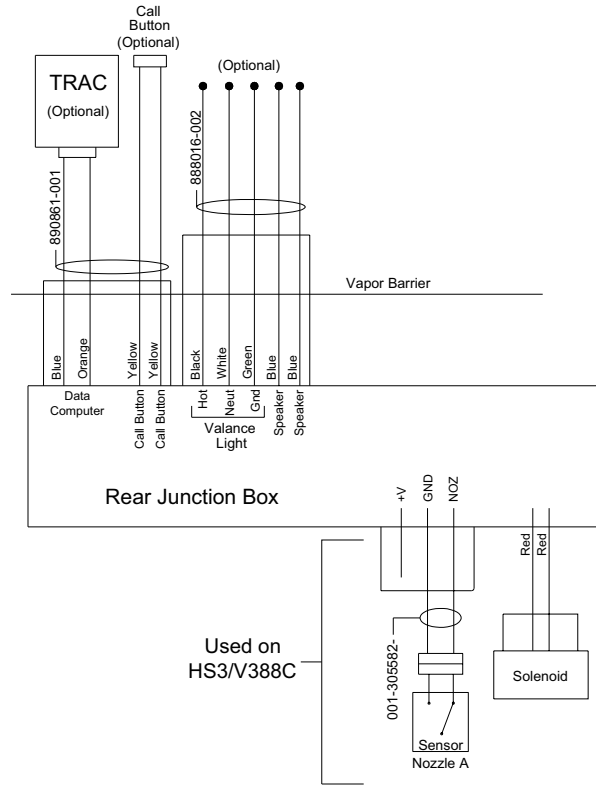
Note: See Shared Assy Manual 920345 for subcomponents



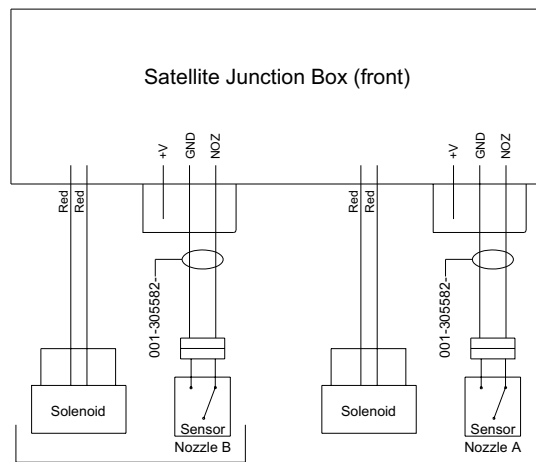
ITEM NO.	PART NO.	DESCRIPTION
1	002-039815-	BRACKET, WIRE REEL
2	888571-XXX-XXX	CHANNEL, WIRE REEL (refer to customer spec for color and style)
3	000-507053-	BOLT, 5/16-18 X 5/8" LONG
4	000-918161	TINNERMAN NUT (5/16-18)
5	000-039657-	WIRE REEL
6	000-039376-	CABLE GUIDE
7	000-918217-	CAGE NUT 1/4-20 SLF-RET TINN
8	000-511194-	HEX NUT 10-24
9	000-902015-	LOCK W#10 1/16X3/64KATLNK
10	003-126624-	CABLE, WOVEN NYLON
11	000-918060-	SCREW, BUTTON HEAD, 10-24 X 5/8, BLACK
12	002-511297-	SCREW, BUTTON HEAD, ST. STL., 1/4-20 X 1/2



ITEM NO.	PART NO.	DESCRIPTION
1	886161-001	BEZEL ASSY
2	883970-020	PCB ASSY
3	000-918286-	RIVET
4	6005901	SCREW, 6-32 X 3/8
5	882505-002	NYLON STANDOFF
6	6019401	NUT, 6-32
7	888713-002	HEAD ENCLOSURE
8	887071-001-J21	CABINET FRAME, TRAC SIDE
9	887071-002-J21	CABINET FRAME, BLANK SIDE
10	887072-001-J21	TOP SHEATH
11	000-129818-001	GASKET
12	886922-001	GROMMET, 2" HOLE

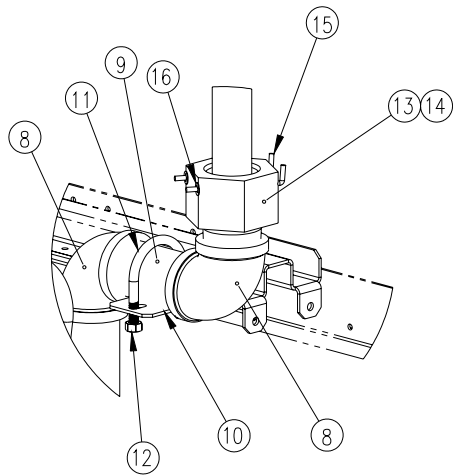
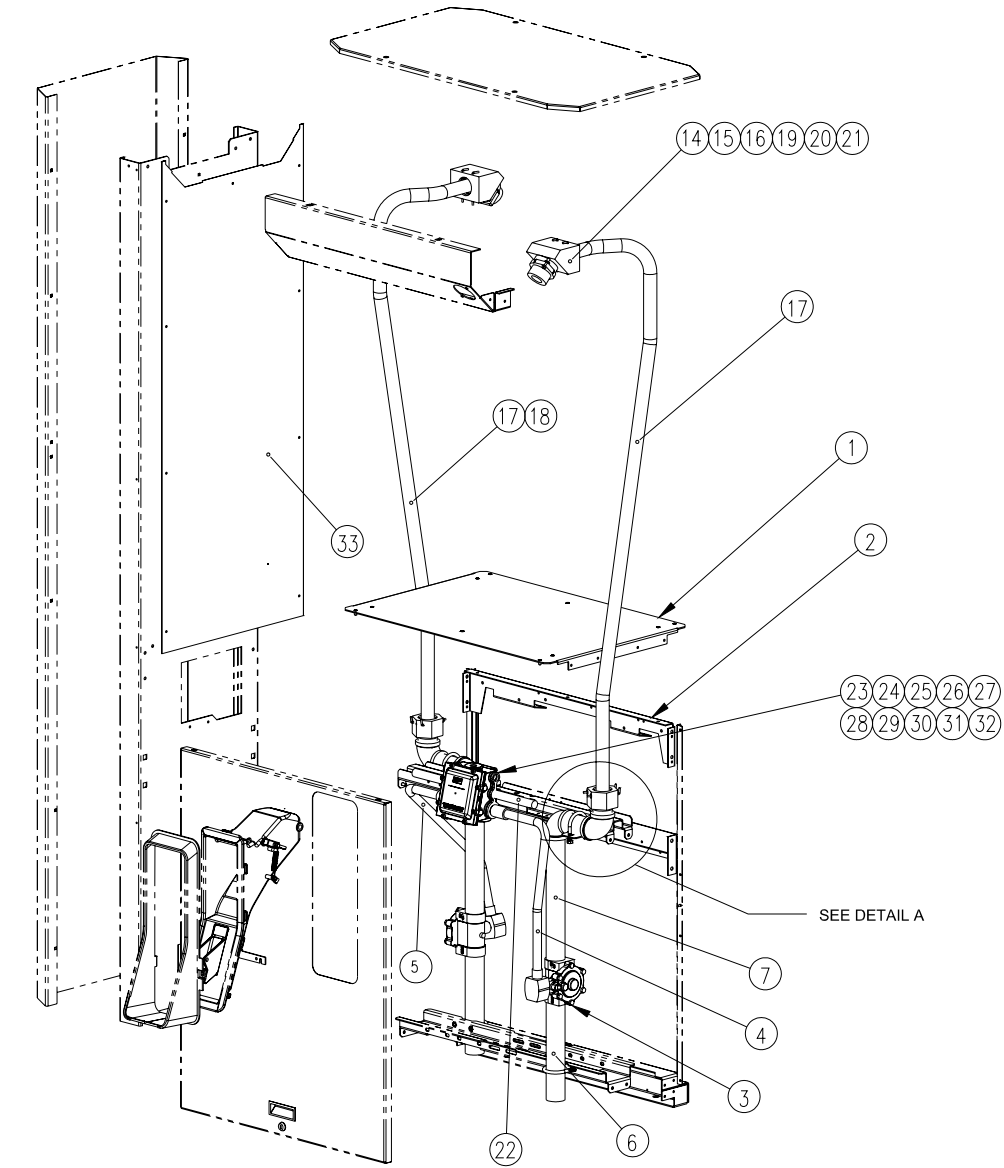


Rear Junction Box Wiring



Used on HS3/V288S/4 &
HS3/V289S/4R

HS3 Satellite Wiring



DETAIL A

NOTE:

PARTS NOT SHOWN OR IDENTIFIED ARE THE SAME AS THOSE IN THE MASTER DISPENSER.

HS3 Satellite Components

ITEM NO.	PART NO.	DESCRIPTION
1	007-301125-XXX	VAPOR BARRIER
2	006-047594-	VAPOR BARRIER SUPPORT, SATELLITE
3	890842-001	SOL VALVE, ASCO 1-1/2"NPT, 24V
4	890636-001	CONDUIT, SAT SIDE 1
5	890637-001	CONDUIT, SAT SIDE 2
6	010-127756-750	PIPE NIPPLE, 1-1/2NPT X 10-3/4" LONG, GALV
7	013-127756-750	PIPE NIPPLE, 1-1/2NPT X 13-3/4" LONG, GALV
8	000-508894-	PIPE ELBOW, 1-1/2NPT, F/F
9	004-127756-	PIPE NIPPLE, 1-1/2NPT X 4" LONG
10	890628-001	BRACKET, DISCH UHC VISTA/SAT
11	002-127422-	U-BOLT, 1-1/2" PIPE
12	000-509584-	NUT, 5/16-18 HEX (FOR U-BOLT)
13	889743-001	ADAPTER, 1.312 DOUBLEBUMP
14	890122-001	O-RING, 1.312 DBLBUMP
15	890051-001	LOCKPIN, 1.312 DBLBUMP
16	890123-001	LOCKPIN RETAINER, 1.312 DBLBUMP
17	890865-001	TUBE, HS3 SAT RIGHT SIDE (V287S/4R, V288S/4)
18	890866-001	TUBE, HS3 SAT HH LEFT SIDE (V289S/4R)
19	889742-001	OUTLET VISTA, 1.312 DBLBUMP
20	007-511297	SCREW (OUTLET)
21	000-513317	NUT, LOCK (OUTLET)
22	001-305582-	ISB, SATELLITE
23	003-306177	JBOX, UHC
24	001-306180-	JBOX COVER
25	001-921053-	SCREW, (JBOX COVER)
26	001-921551-	SCREW, M6 X 8MM GROUND GREEN
27	000-509655	PLUG, 1"NPT (FOR BOTTOM OF JBOX)
28	890454-001	BRACKET, JBOX, UHC
29	001-921219	SCREW, JBOX MTG
30	000-508919-	PLUG, 1/2" (LL, ML, UL, TOP, UR)
31	000-918513	SCREW, 1/4"X5/8" SFTP(2 DSCH BKT, 2 BOOT)
32	001-218941-	EXPANSION CONDUIT UNION
33	013-048020-XXX	INNER SHEATH, SAT PAINTED GALV
	014-048020-	INNER SHEATH, SAT SS

Note: "-XXX" signifies a paint color. To ensure proper color, refer to the appropriate Customer Specification Sheet

PARTS

Wayne HS3 Vista Fuel Dispensers

© 2006-2015 Wayne Fueling Systems.
Printed in the United States of America.

This manual and any software described herein are furnished under the terms of sale or other applicable contract including any license, and may be used or copied only in accordance with those terms.

No part of this publication may be electronically or mechanically reproduced, stored in a retrieval system, or transmitted, in any form or by any means, except as permitted by such terms. Translation of this material to another language without express written permission from Wayne Fueling Systems is prohibited.

This publication is intended for informational purposes only and this material is subject to change without notice. Wayne Fueling Systems has not made, and does not make, any representations or warranties of any kind, expressed or implied, with respect to any information in the publication, including any warranty as to the accuracy, correctness, or completeness of any of the information. Wayne Fueling Systems shall not be responsible or liable for any damages or losses that occur as a result of the receipt and/or use of the information contained herein.

Wayne and the Wayne logo are trademarks or registered trademarks of Wayne Fueling Systems in the United States and other countries. Other names are for informational purposes and may be trademarks of their respective owners.



**Wayne is located at 3814 Jarrett Way, Austin TX 78728.
Wayne's general telephone number is (512)-388-8311.**

This product complies with Part 15 of the FCC rules and regulations. Operation is subject to the following two conditions: (1) This product may not cause harmful interference, and (2) this product must accept any interference received, including interference that may cause undesired operation.

Note: This equipment has been tested and found to comply with the limits for a Class A digital device as set forth in Part 15 of the FCC Rules. Those limits are designed to provide reasonable protection against harmful interference when the equipment is operated in a commercial environment. This equipment generates, uses, and can radiate radio frequency energy, and if it is not installed and used in accordance with the instruction manual, it may cause harmful interference to radio communications. Operation of this equipment in a residential area is likely to cause harmful interference, in which case you will be required to correct the interference at your own expense.

Modifications: Any modifications made to this product that are not approved by Wayne Fueling Systems could void your authority to operate this equipment.



Wayne Manufacturing Centers

Wayne U.S. Wayne Fueling Systems LLC 3814 Jarrett Way Austin, TX 78728 USA	Wayne Sweden Wayne Fueling Sys- tems Sweden AB Hanögatan 10 Box 50559 SE-202 15 Malmö Sweden	Wayne China Dresser Wayne Fuel Equipment (Shanghai) Co., Ltd 1221 Dong Lu Road Pudong, Shanghai China	Wayne Brazil Wayne Industria e Comercio Ltda Estrada do Timbó 126-Higienópolis Rio de Janeiro, Brasil
---	--	---	--