

Section Three

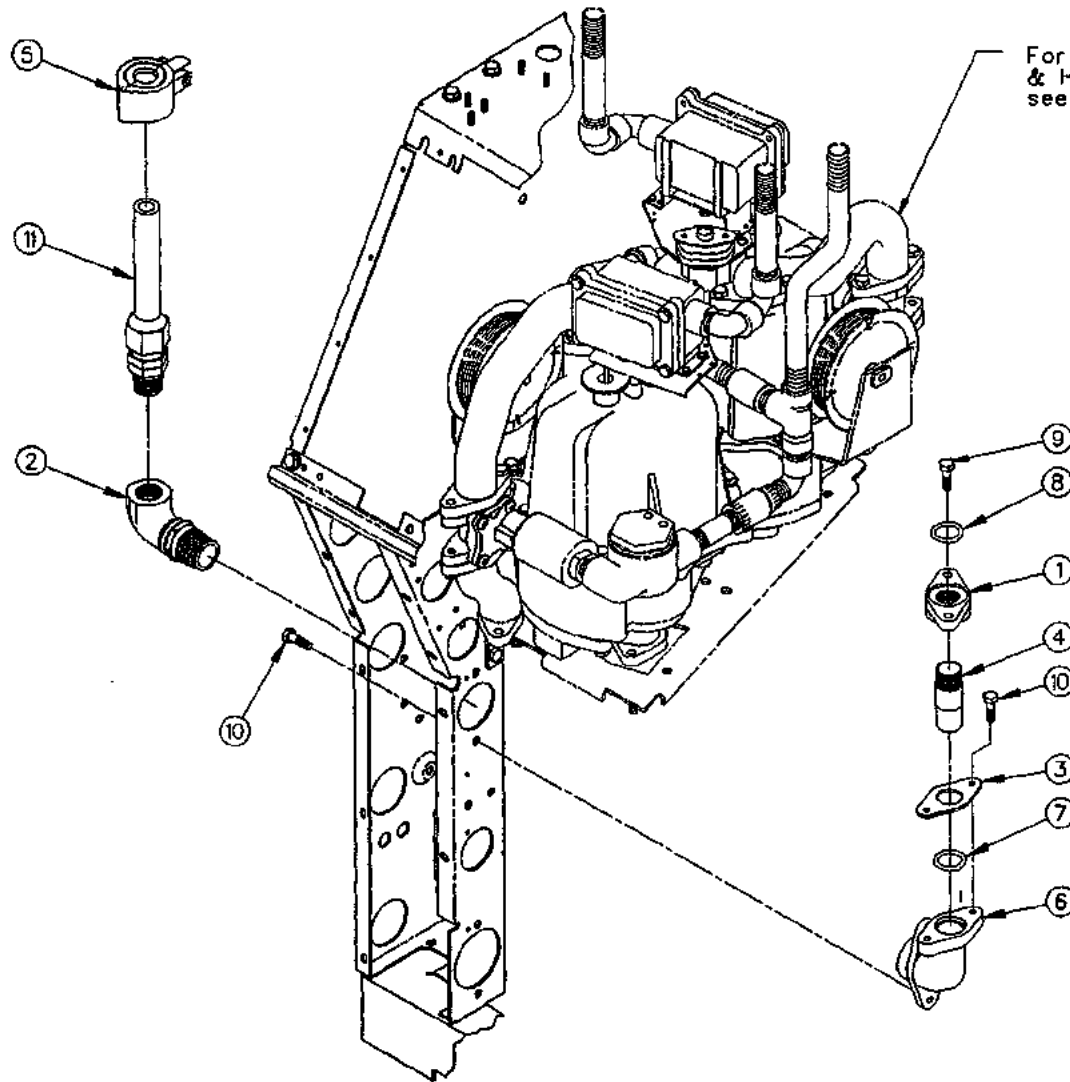
Discharge Hydraulics Internal Vapor Piping

	<i>Page Number</i>
Hydraulic Assembly	
High Discharge	3-2
Low Discharge	3-3
Discharge Hydraulics for High Hose	
Serial No. 109-628-40692 & Below	
119-426-50383, 030-324-52339	3-4
Serial No. 109-628-40693 & Above	
119-426-50384, 030-324-52340	3-5
Vapor Recovery	
Low Discharge for Suction System	3-6
Low Discharge for Remote Control	3-7
Vapor Recovery for High Hose	3-8, 3-9
Vapor Recovery for High Hose (most recent version)	3-10
3 - 5 Product Variable Blender	
H322A-R-B5 Discharge Hydraulics	3-12, 3-13
VH322A-R-B5 Discharge & Vapor Recovery	3-14, 3-15
H322A-R-B5 Vapor Recovery	3-16, 3-17
Vapor Recovery System with Blackmer Pump	
Models H413A & H426A-R-V1	3-18, 3-19
17" High Hose	
Vapor Recovery for NH413A & NH426A	3-20
Discharge Hydraulics	
Serial No. 109-628-40692 & Below	
119-426-50383, 030-324-52339	3-21
Serial No. 109-628-40693 & Above	
119-426-50384, 030-324-52340	3-22
H411/H422A-R-V	
Discharge Hydraulics	3-23
Vapor Recovery - High Discharge	3-24
Vapor Recovery - Low Discharge	3-25
MaxVac Low Discharge System	
30" TCSA	3-26, 3-27
45" & 60" TCSA	3-28, 3-29
H413A & H426A Discharge Assembly	
Serial No. 068546 & Above	3-30, 3-31
Discharge Assembly (MaxVac)	
H311A, H312A, H322A, & H324A	3-32, 3-33
H311A-RB3/5 & H322A-RB3/5	3-34, 3-35
H411A & H422A	3-36, 3-37
H413A & H426A	
Serial No. 068545 & Below	3-38, 3-39
Serial No. 068546 & Above	3-40, 3-41
H614A & H628A	3-42, 3-43
Outlet Adapter Assembly	3-44
Vapor Return Line Assembly	3-46, 3-47
Check Valve Assembly	3-48, 3-49
MaxVac Discharge System	3-50, 3-51

T
C
S
A

D
I
S
P
E
N
S
E
R

TCS HIGH DISCHARGE HYDRAULIC ASSEMBLY



For parts callout of METER
& HYDRAULICS ASSEMBLY
see dwg. no. 741377

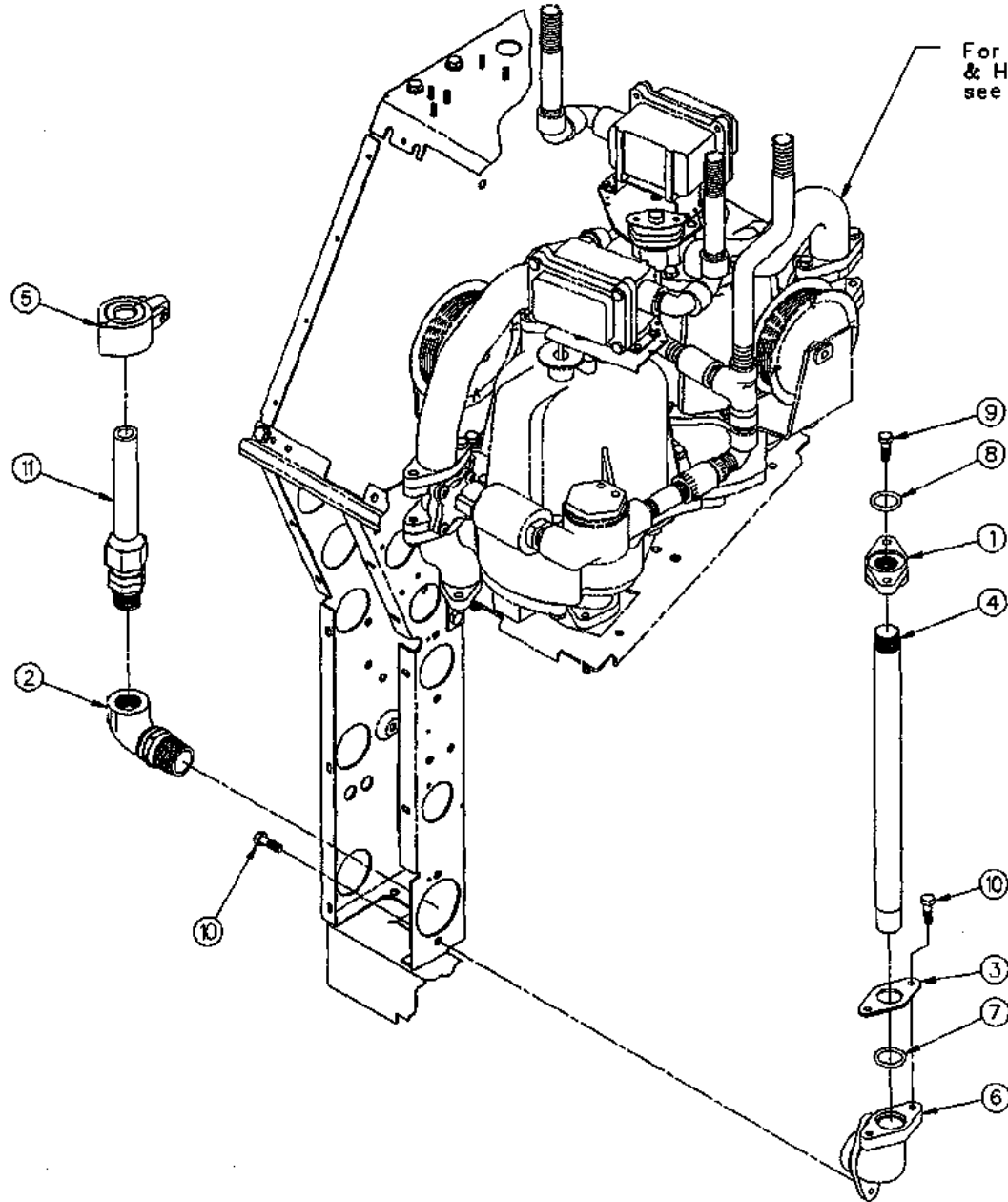
Item No.	Part No.	Name Of Part
1	3-220923	Meter Flange
2	226064-1	Hose Swivel Assembly
3	1-227586	Retainer Cap
4	1-227588	Slip Joint
5	1-228630	Hose Clamp
6	1-317415	Discharge Connector
7	14-318940	"O" Ring
8	17-318940	"O" Ring
9	35-50361	5/16-18 X 1" Lg. Hex Hd. Cap Screw
10	35-54742	5/16-18 X 5/8 Lg. M-F Hex Hd. Whiz Lock Screw
11	002-547610-00	5/8 I.D. Hose (10'-0" Lg.)

In ordering Nozzle (Specify Leaded, Unleaded
& Color Of Insulator) (Nozzle Not Shown)
416568 (OPW 11-A Series)
417521 (OPW 11-B Series)
417505 (Emco-Wheaton A2001 Series)
417553 (Emco-Wheaton A2000 Series)

1-741378

TCS LOW DISCHARGE HYDRAULIC ASSEMBLY

TCS/TCSA Dispenser Parts Manual
 Form 4576A Version 1.0
 Tokheim Corporation February 1996



For ports callout of METER
& HYDRAULICS ASSEMBLY
see dwg. no. 741377

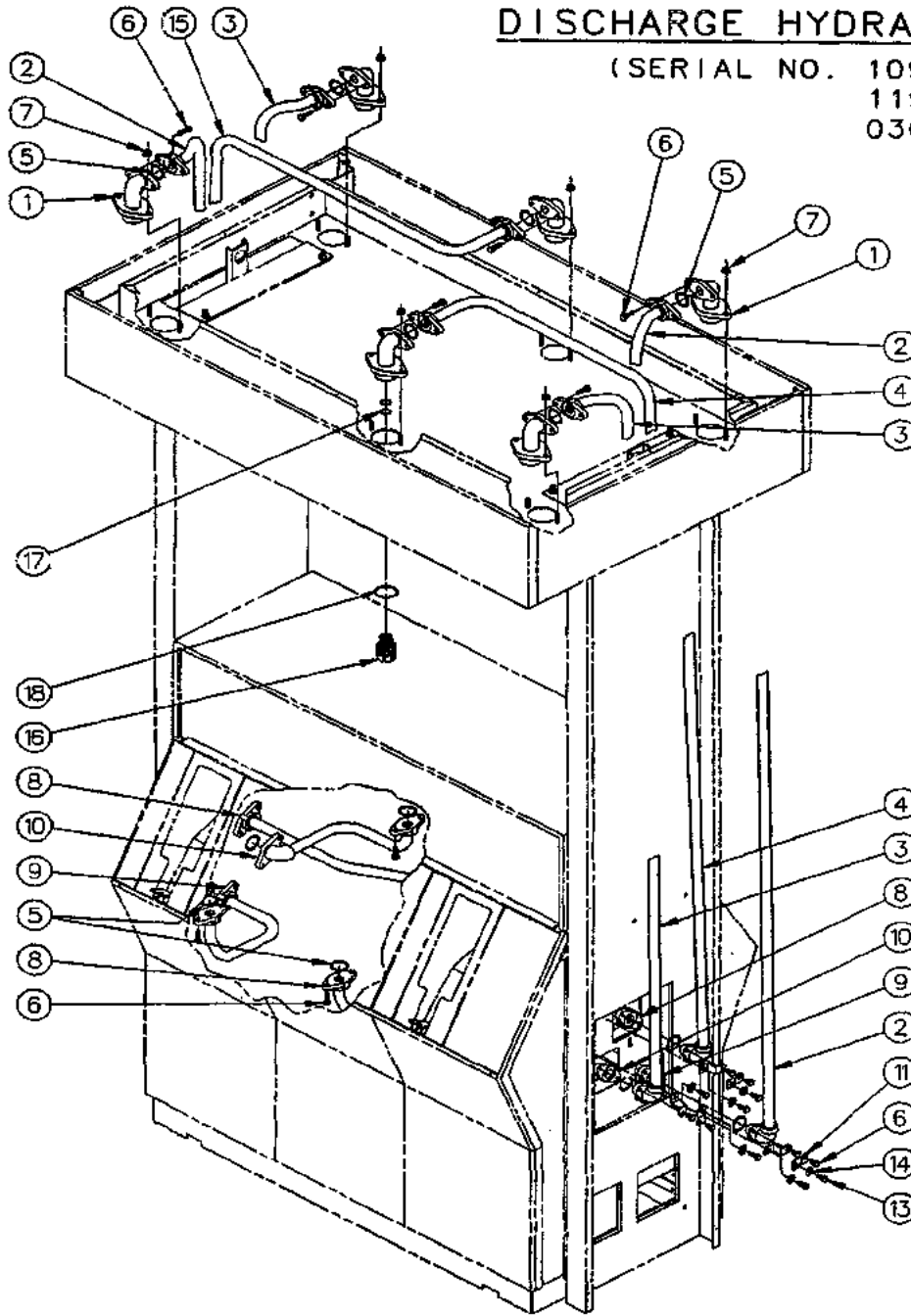
Item No.	Part No.	Name Of Port
1	3-220923	Meter Flange
2	226064-1	Hose Swivel Assembly
3	1-227586	Retainer Cap
4	2-227588	Slip Joint
5	1-228630	Hose Clamp
6	1-317415	Discharge Connector
7	14-318940	"O" Ring
8	17-318940	"O" Ring
9	35-50361	5/16-18 X 1" Lg. Hex Hd. Cap Screw
10	35-54742	5/16-18 X 5/8 Lg. M-F Hex Hd. Whiz Lock Screw
11	002-547610-00	5/8 I.D. Hose (10'-0" Lg.)

In ordering Nozzle (Specify Leaded, Unleaded
& Color Of Insulator) (Nozzle Not Shown)
 416568 (OPW 11-A Series)
 417521 (OPW 11-B Series)
 417505 (Emco-Wheaton A2001 Series)
 417553 (Emco-Wheaton A2000 Series)

1-741379

DISCHARGE HYDRAULICS FOR HIGH HOSE

(SERIAL NO. 109-628-40692 & BELOW)
 119-426-50383
 030-324-52339



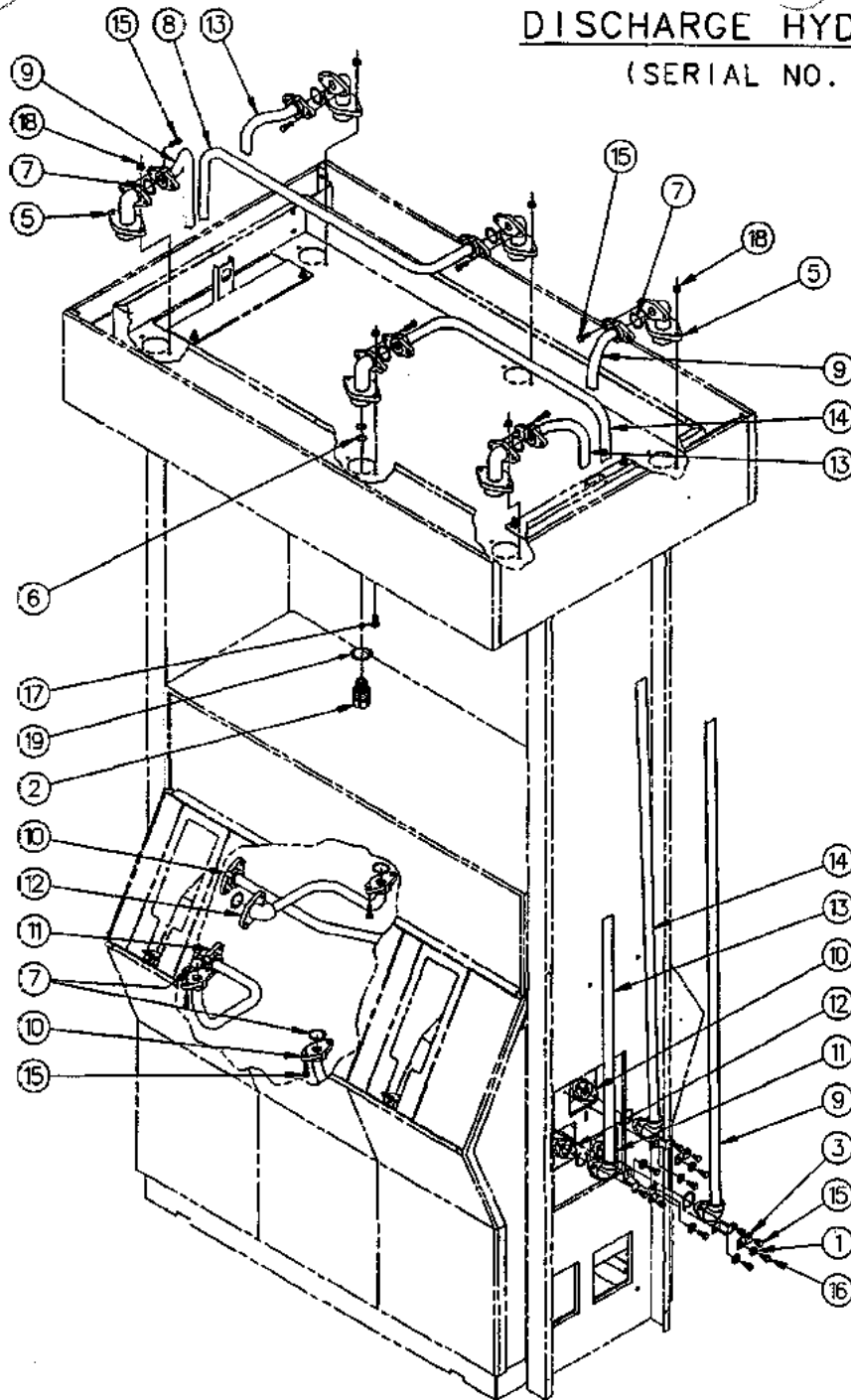
<u>ITEM NO.</u>	<u>PART NO.</u>	<u>DESCRIPTION</u>
1	2-318241	Standard
	2-318229	Vapor Recovery
2	419605-1	Outlet Tube Assembly
3	419609-1	Outlet Tube Assembly
4	419610-1	45"
	419717-1	60"
5	17-318940	"O" Ring
6	35-50361	5/16-18 x 1" Long Hex Head Cap Screw
7	02-54752	5/16-18 M-F Flange Whiz-Lock Nut
8	419606-1	45" (Right)
	419716-1	60" (Right)
9	419607-1	Discharge Tube Assembly (Left Side)
10	419608-1	Discharge Tube Assembly (Center)
11	1-229672	Support Bracket
12	3-317828	Co-Axial (Vapor Recovery)
	001-547610-06	5/8" I.D. x 10'-6" Long
13	10-51491	#14 x 1/2" Long P.K. Self Tapping Screw
14	1-120751	Washer
15	419604-1	45"
	419610-1	60"
16	1-227373	5/8" x 45° Hose Swivel
17	11-318940	"O" Ring (Vapor Recovery & Interim Vapor)
18	27-318940	"O" Ring (Interim Vapor Only)

DISCHARGE HYDRAULICS FOR HIGH HOSE

(SERIAL NO. 109-628-40693 & ABOVE)

119-426-50384

030-324-52340

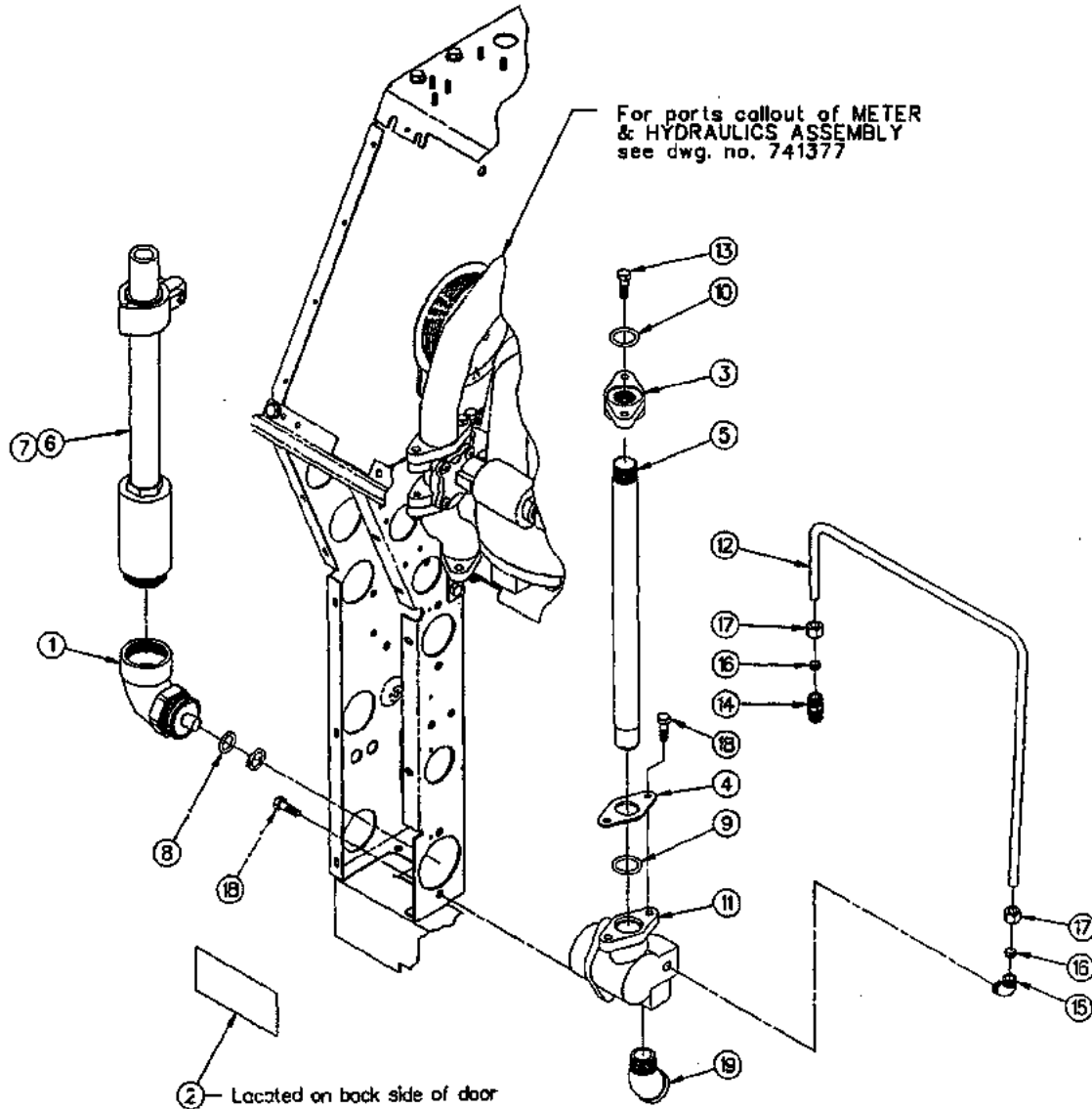


ITEM PART NO. NO.

DESCRIPTION

1	1-120751	Washer
2	1-227373	5/8" x 45° Hose Swivel
3	1-229672	Support Bracket
4	<u>Hose (Not Shown)</u> 3-317828 001-547610-06	Co-Axial (Vapor Recovery) 5/8" I.D. x 10'-6" Long
5	<u>Outlet Adapter</u> 2-318229 2-318241 2-318996	Vapor Recovery Standard Vapor Recovery Healy
6	11-318940	"O" Ring (Vapor Recovery & Interim Vapor)
7	17-318940	"O" Ring
8	<u>Outlet Tube Assembly</u> 419604-1 419610-1	45" 60"
9	419605-1	Outlet Tube Assembly
10	<u>Discharge Tube Assembly</u> 419606-1 419716-1	45" (Right) 60" (Right)
11	419607-1	Discharge Tube Assembly (Left Side)
12	419608-1	Discharge Tube Assembly (Center)
13	419609-1	Outlet Tube Assembly
14	<u>Outlet Tube Assembly</u> 419610-1 419717-1	45" 60"
15	35-50361	5/16-18 x 1" Long Hex Head Cap Screw
16	10-51491	#14 x 1/2" Long P.K. Self Tapping Screw
17	39-52198	5/16-18 x 1" Long Carriage Bolt
18	02-54752	5/16-18 M-F Flange Whiz-Lock Nut
19	27-318940	"O" Ring (Interim Vapor Only)

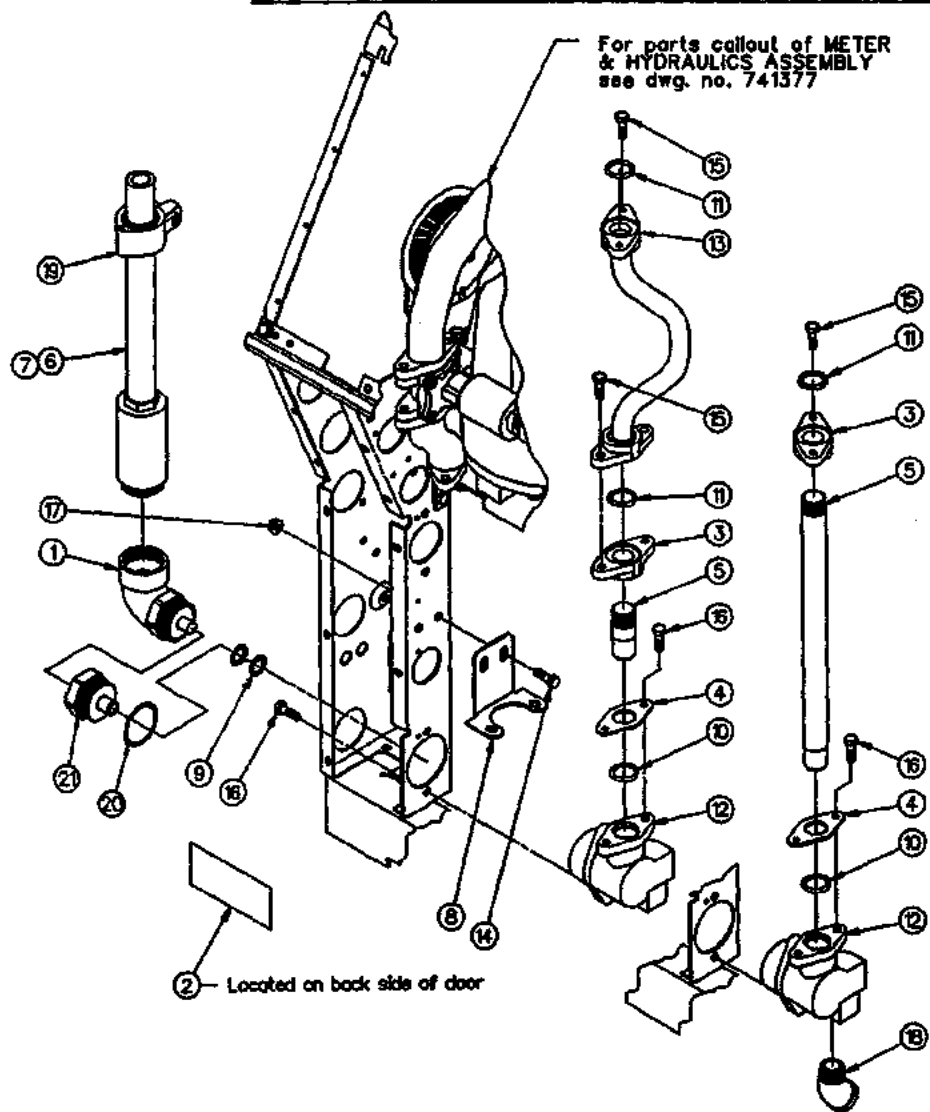
LOW DISCHARGE VAPOR RECOVERY FOR TCS SUCTION SYSTEM



Item No.	Part No.	Name Of Part
1	90° Coax Swivel	
	1-228347	OPW
	1-228363	Emco-Wheaton
2	1-131584	Warning Label
3	3-220923	Meter Flange
4	1-227586	Retainer Cop
5	2-227588	Slip Joint
6	Co-Axial Hose & Clamp	
	229024-1	Carrugated
	229024-2	Smooth
7	Vapor Nozzle	
	229025-1	Unleaded (Emco-Wheaton)
	229025-2	Unleaded (OPW)
	229025-3	Leaded (Emco-Wheaton)
	229025-4	Leaded (OPW)
8	11-318940	"O" Ring
9	14-318940	"O" Ring
10	17-318940	"O" Ring
11	Outlet Adppter	
	1-418059	used on all models
	2-418059	used on 322, 324, 426 & 628
12	Vent Tube	
	1-418681	used on all models
	1-229017	used on 312,413 & 614
13	35-50361	5/16-18 X 1" Long Hex Head Cap Screw
14	05-52010	Compression Connector
15	05-52020	Compression Elbow
16	05-52040	Compression Sleeve
17	14-52040	Compression Nut
18	35-54742	5/16-18 X 5/8" Long M-F Hex Head Whiz Lock Screw
19	05-51692	3/4" 45° Street Elbow

3-741391

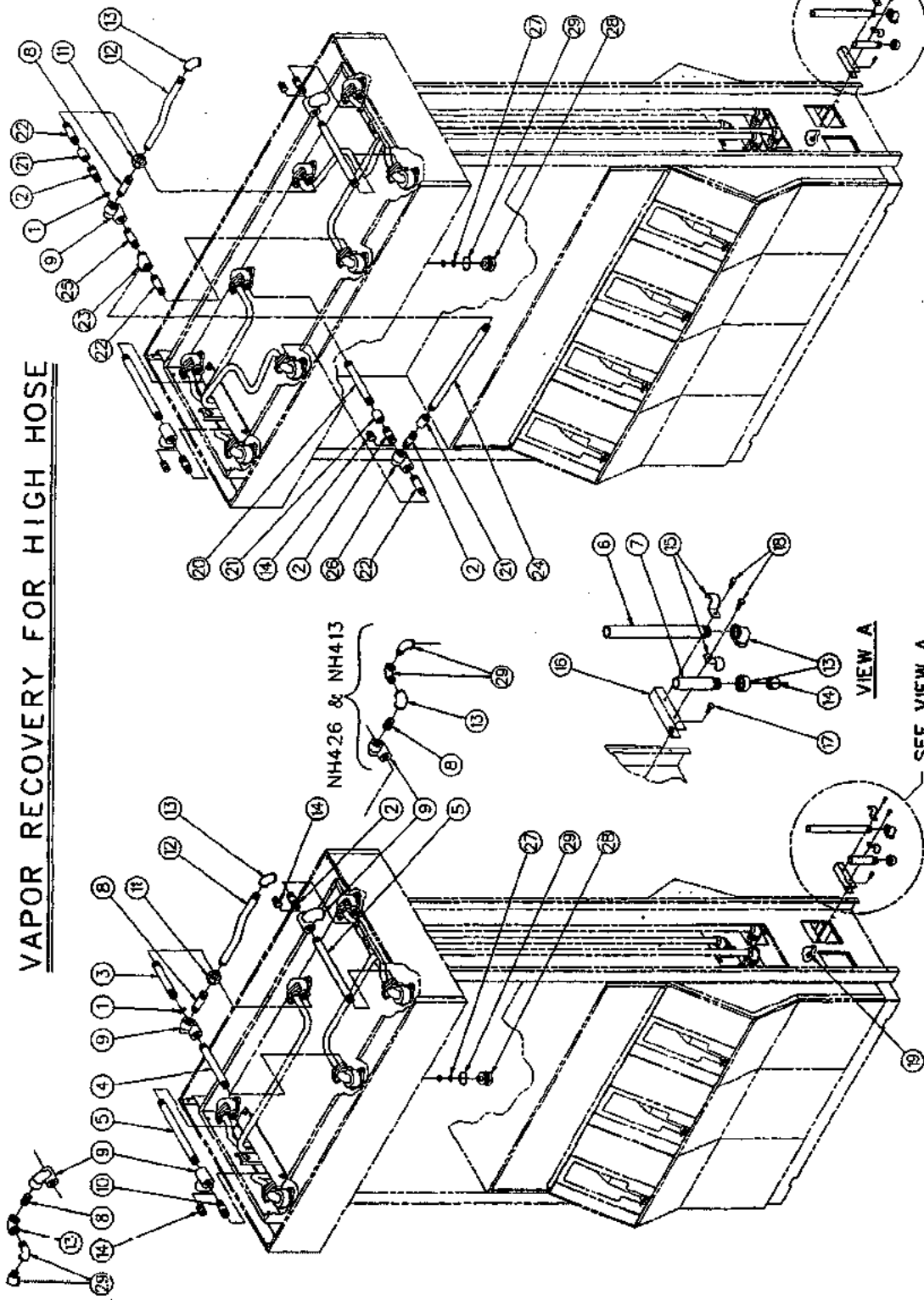
LOW DISCHARGE VAPOR RECOVERY FOR TCS REMOTE CONTROL SYSTEM



Item No.	Part No.	Name Of Part
1	1-228347	90° Coax Swivel (OPW)
	1-228363	90° Coax Swivel (Emco-Wheaton)
	1-230979	90° Swivel (Interim Vapor Only)
2	1-131584	Warning Label
3	3-220923	Meter Flange
4	1-227586	Retainer Cap
5	1-227588	Slip Joint (2 3/4" lg.)
	2-227588	Slip Joint (14 3/4" lg.)
6	229024-1	Co-Axial Hose & Clamp (Corrugated)
	229024-2	Co-Axial Hose & Clamp (Smooth)
7	229025-1	Unleaded Vapor Nozzle (Emco-Wheaton)
	229025-2	Unleaded Vapor Nozzle (OPW)
	229025-3	Leaded Vapor Nozzle (Emco-Wheaton)
	229025-4	Leaded Vapor Nozzle (OPW)
8	1-317633	Outlet Tube Bracket
9	11-318940	"O" Ring
10	14-318940	"O" Ring
11	17-318940	"O" Ring
12	13-313235	Gasket (Interim Vapor)
	1-418059	Outlet Adapter
13	318969-1	Outlet Adapter Assembly (IV & V-B5)
	418218-1	Discharge Tube Assembly
	420745-1	Discharge Tube Assembly (322A-R-IV-B5 & V-B5)
14	32-50361	5/16-18 X 5/8 Lg. Hex Hd.
		Cap Screw
15	38-54742	5/16-18 X 1" Lg. Hex Hd.
		Cap Screw
16	35-54742	5/16-18 X 5/8" Lg. M-F
		Hex Hd. Whiz Lock Screw
17	02-54752	5/16-18 M-F Flange Whiz-Lock Nut
18	05-51892	3/4" 45° Street Elbow
19	1-228630	Hose Clamp
20	27-318940	"O" Ring (Interim Vapor Only)
21	1-227836	Non-Swivel Adaptor (Interim Vapor Only)

2-741392

VAPOR RECOVERY FOR HIGH HOSE



(60" HIGH HOSE)

(30" & 45" HIGH HOSE)

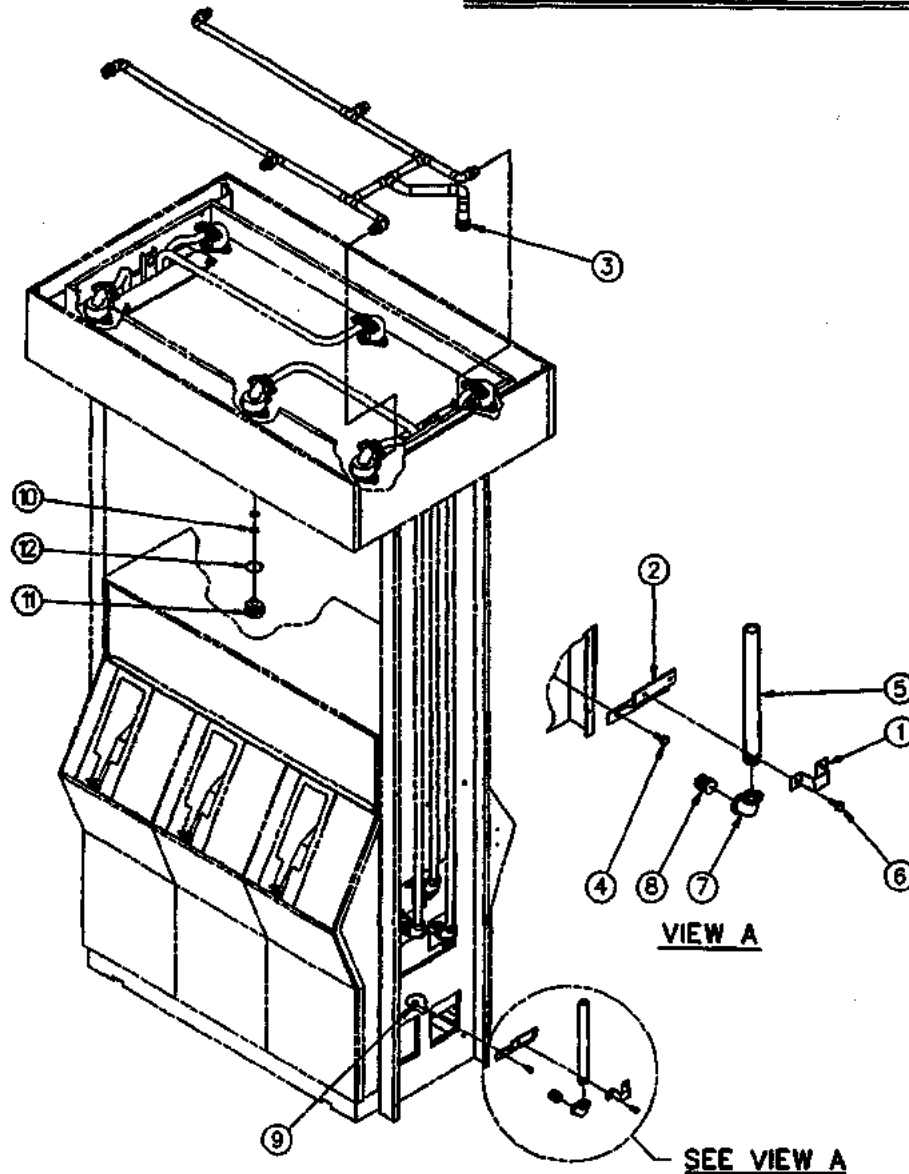
3-741314

VAPOR RECOVERY FOR HIGH HOSE

ITEM NO.	PART NO.	DESCRIPTION	ITEM NO.	PART NO.	DESCRIPTION
1	13-313235	Gasket	21	14-51740	Straight Coupling
2	1-227588	Slip Joint	22	292-50510	3/4 X 3-5/8 Lg. Pipe
3	3-227588	Slip Joint	23	05-51720	Tee - Banded
4	285-50510	3/4 X 8-3/4 Lg. Pipe	24	294-50510	3/4 X 17-3/4 Lg. Pipe
5	286-50510	3/4 X 13" Lg. Pipe	25	293-50510	3/4 X 3-3/4 Lg. Pipe
6	287-50510	3/4 X 83-1/2 Lg. Pipe	26	1-318361	Tee (All H628)
7	288-50510	3/4 X 85-1/2 Lg. Pipe		1-318364	Tee (All H614)
8	73-50560	3/4 X 3-1/2 Lg. Pipe Nipple	27	11-318940	"O" Ring
9	<u>Tees</u>		28	1-227838	Non Swivel Adapter (Interim Vapor Only)
	1-318230	All H426 & H628	29	27-318940	"O" Ring (Interim Vapor Only)
	1-318282	All H413 & H614			
10	289-50510	3/4 X 2-5/8 Lg. Pipe (All H413)			
	1-227588	Slip Joint (All H426)			
11	04-51780	Union - Female			
12	1-318276	Vapor Discharge Tube			
13	05-51700	3/4 X 90° Elbow - Banded			
14	05-51900	3/4 Pipe Plug			
15	1-230118	Strap Clamp			
16	1-318272	Pipe Support			
17	32-50361	5/16-18 X 5/8 Lg. Hex Hd. Cap Screw			
18	10-51491	#14 X 1/2 Lg. P.K. Self-Tapping Screw			
19	02-54752	5/16-18 M-F Flange Whiz-Lock Nut			
20	291-50510	3/4 X 8-1/2 Lg. Pipe			

3-741314

VAPOR RECOVERY FOR HIGH HOSE



Item No.	Part No.	Name Of Part
1	1-230887	Pipe Clamp (311, 312, 413 & 614)
	1-319053	Pipe Clamp (322, 324, 426 & 628)
2	1-319054	Pipe Support
3	Manifold Weld Assembly	
	420559-1	(MH426A-R-V)
	420559-2	(H413A-V)
	420559-3	(H614A-R-V)
	420559-4	(H628A-R-V)
	420559-5	(H324A-R-V)
	420559-6	(H413A-R-VH)
	420559-7	(H426A-R-VH)
	420559-8	(H311A-R-V)
	420559-9	(H312A-R-V)
420559-10	(H322A-R-V)	
4	32-50361	5/16-18 X 5/8 Lg. Hex Hd. Cap Screw
5	301-50510	1" X 79-11/16 Lg. Pipe (322, 324, 426 & 628)
	302-50510	3/4" X 79-11/16 Lg. Pipe (311, 312, 413 & 614)
6	10-51491	#14 X 1/2 Lg. P.K. Self-Tapping Screw
7	05-51700	3/4 X 90° Elbow - Banded (311, 312, 413 & 614)
	06-51700	1" X 90° Elbow - Banded (322, 324, 426 & 628)
8	05-51900	3/4 Pipe Plug (311, 312, 413 & 614)
	06-51900	1" Pipe Plug (322, 324, 426 & 628)
9	02-54752	5/16-18 M-F Flange Whiz-Lock Nut
10	11-318940	"O" Ring
11	1-227838	Non Swivel Adapter (Interim Vapor Only)
12	27-318940	"O" Ring (Interim Vapor Only)



3-741489

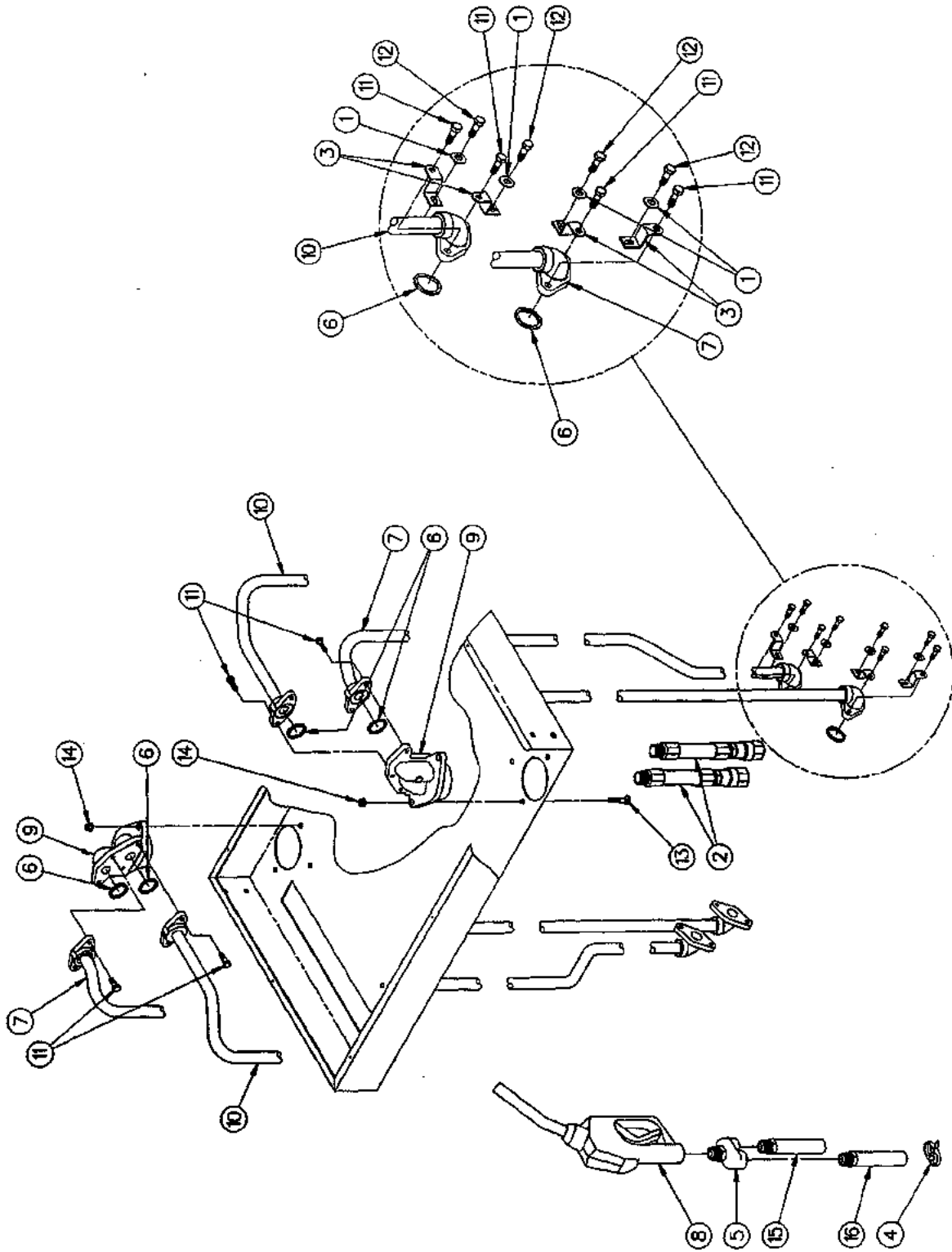
1 of 1

H322A-R-B5 DISCHARGE HYDRAULICS

ITEM NO.	PART NO.	DESCRIPTION	ITEM NO.	PART NO.	DESCRIPTION
1	1-120731	Check Valve Cap	17	35-50361	5/16-18 X 1" Lg. Hex. Hd. Cap Screw
2	1-120733	Poppet Spring	18	10-51491	#14 X 1/2 Lg. P.K. Self Tapping Screw
3	1-120751	Washer	19	39-52198	5/16-18 X 1" Lg. Carriage Bolt
4	213168-1	Poppet Disc & Relief Valve Assembly	20	02-54752	5/16-18 M-F Flange Whiz-Lock Nut
5	1-227838	Non Swivel Adapter (Interim Vapor Only)	21	27-318940	"O" Ring (Interim Vapor Only)
6	229228-2	Check Valve Assy. (Includes Items #1, 2, 4, 7 & 11)			
7	1-229672	Support Bracket			
8	6-313235	Gasket			
9	13-313235	Gasket			
10	11-318940	"O" Ring (Vapor & Interim Vapor)			
11	<u>Outlet Adapter</u>				
	2-318229	Vapor Recovery			
	4-318241	Standard			
12	1-319134	Manifold Bracket			
13	2-418686	Check Valve			
14	1-420611	Blend Manifold			
15	420670-1	Tube Assembly			
16	420672-1	Tube Assembly			

3-741489

VH322A-R-B5 DISCHARGE & VAPOR RECOVERY



1-741492

1-741492

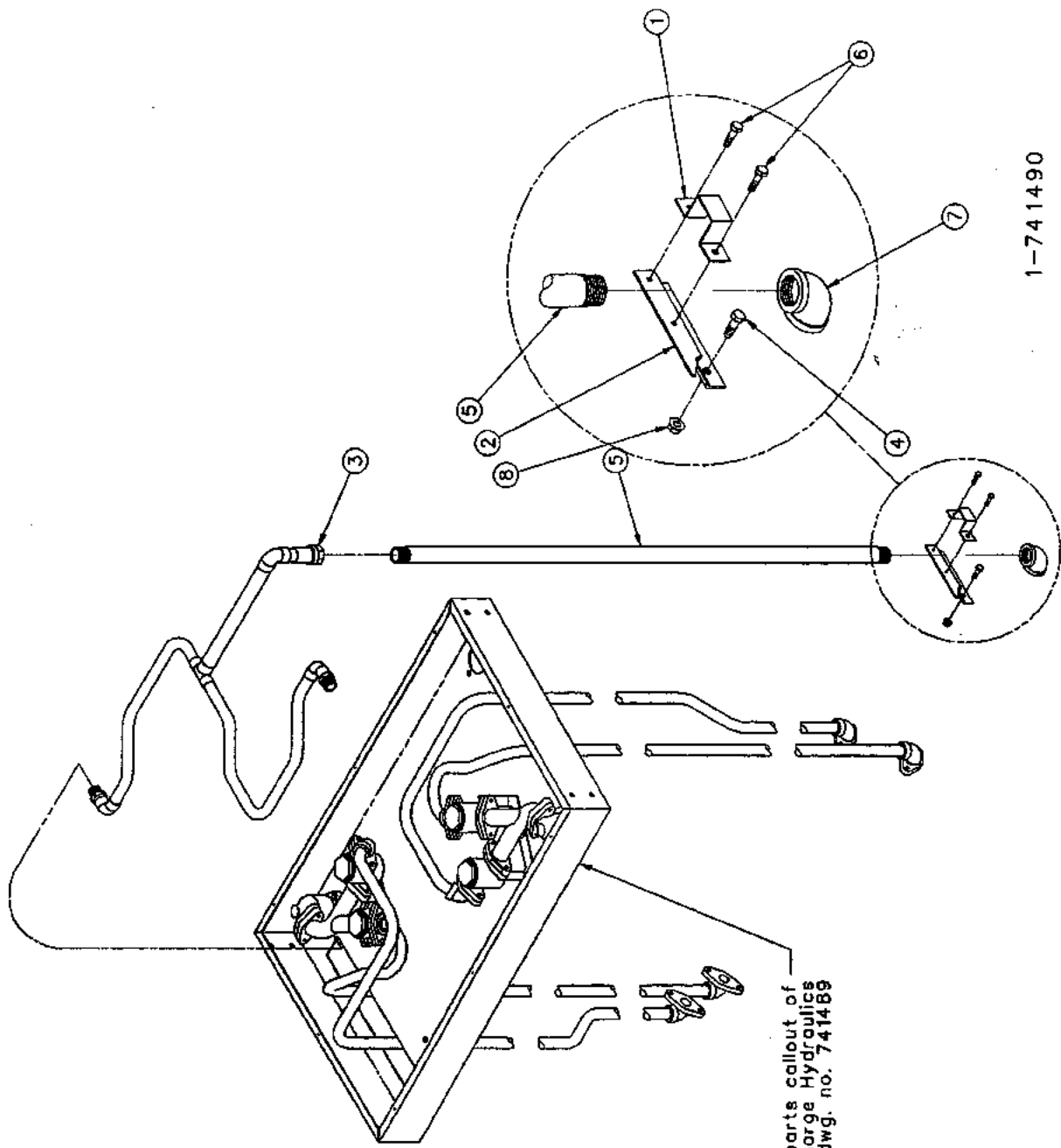
1 of 1

VH322A-R-B5 DISCHARGE HYDRAULICS & VAPOR RECOVERY

ITEM NO.	PART NO.	DESCRIPTION
1	1-120751	Washer
2	1-229668	Hose Breakaway Coupling
3	1-229672	Support Bracket
4	1-231030	Double Hose Clamp
5	1-231031	Blending Swivel
6	13-313235	Gasket
7	419609-1	Tube Weld Assembly
8	2-315615	3/4" Nozzle
9	2-420463	Twin Outlet Adapter
10	420504-1	Tube Weld Assembly
11	35-50361	5/16-18 X 1" Lg. Hex. Hd. Cap Screw
12	10-51491	#14 X 1/2" Lg. P.K. Self Tapping Screw
13	39-52198	5/16-18 X 1" Lg. Carriage Bolt
14	02-54752	5/16-18 M-F Flange Whiz Lock Nut
15	001-547714-00	3/4" I.D. Black Hose (3/4" Male Coupling)
16	001-553014-00	3/4" I.D. Red Hose (3/4" Male Coupling)

1-741492

H322A-R-B5 VAPOR RECOVERY



1-741490

For parts callout of
Discharge Hydraulics
see dwg. no. 741489

1-741490

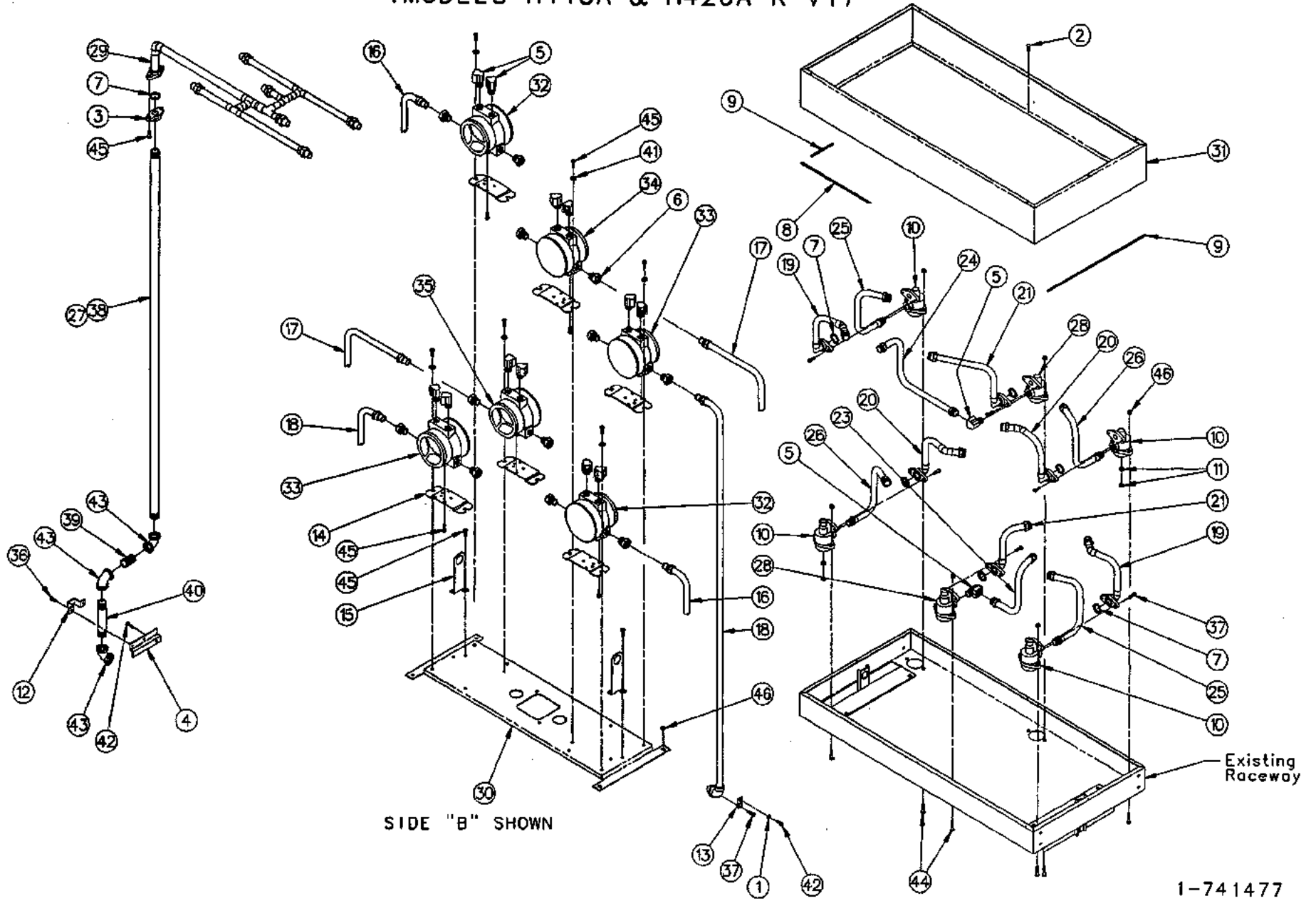
1 of 1

H322A-R-B5 VAPOR RECOVERY SYSTEM

ITEM NO.	PART NO.	DESCRIPTION
1	1-319053	Pipe Clamp
2	1-319054	Pipe Support
3	420631-1	Manifold Weld Assembly
4	31-50361	5/16-18 X 1/2 Lg. Hex. Hd. Cap Screw
5	307-50510	1" X 83-1/2" Lg. Pipe
6	10-51491	#14 X 1/2 Lg. P.K. Self Tapping Screw
7	06-51700	1" X 90° Elbow (Banded)
8	02-54752	5/16-18 M-F Flange Whiz Lock Nut

1-741490

VAPOR RECOVERY SYSTEM WITH BLACKMER PUMP (MODELS H413A & H426A-R-V1)



1-741477

1 of 1

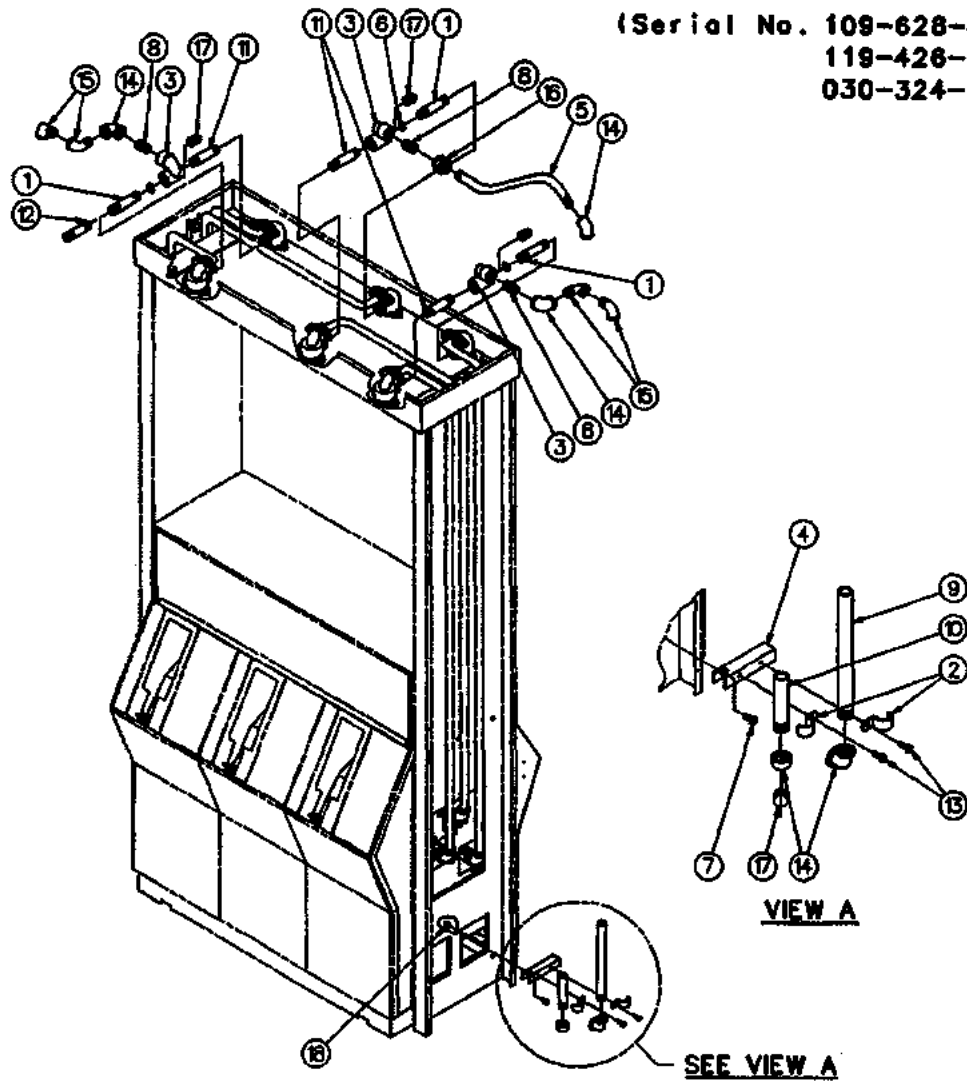
VAPOR RECOVERY SYSTEM WITH BLACKMER PUMP (Models H413A-R-V1 & H426A-R-V1)

ITEM NO.	PART NO.	DESCRIPTION	ITEM NO.	PART NO.	DESCRIPTION	ITEM NO.	PART NO.	DESCRIPTION
1	1-120751	Washer	27	319208-1	Vapor Return Line Asy. (Includes Items #3, 38, 39, 40 & 43)	37	35-50361	5/16-18 X 1" Lg. Hex. Hd. Cap Screw
2	1-131282	Seal Screw	28	319227-1	Outlet Adapter & Elbow Asy. (Includes Items #5, 10 & 11)	38	308-50510	1" NPT X 72" Pipe (Steel)
3	2-217867	Hose Flange	29	<u>Manifold Weld Asy.</u>		39	86-50560	1" NPT X 2" Pipe (Steel)
4	1-229672	Support Bracket		420559-13	H413A	40	94-50560	1" NPT X 6" Pipe (Steel)
5	1-230993	Elbow - Inverted Flare		420559-14	H426A	41	03-50611	5/16 Plain Washer
6	1-230994	Connector - Inverted Flare		420705-1	Pump Support Bracket Weld Asy.	42	10-51491	#14 X 1/2 Lg. P.K. Self- Tapping Screw
7	13-313235	Gasket	30	420777-1	Raceway Extension & Seal Asy. (Includes Items #8 & 9)	43	06-51700	1" NPT 90° Elbow - Banded
8	27-317638	Cushion (49-3/8 Lg.)	31	420780-1	Blackmer Pump & Fitting Asy. (Includes Items #5, 6, 14 & 37)	44	39-52198	5/16-18 X 1" Lg. Carriage Bolt
9	28-317638	Cushion (23-7/8 Lg.)	32	1-319168	Blackmer Pump	45	35-54742	5/16-18 X 5/8 Lg. Whiz Lock Screw
10	5-318229	Outlet Adapter (Vapor)	33	420780-2	Blackmer Pump & Fitting Asy. (Includes Items #5, 6, 14 & 37)	46	02-54752	5/16-18 Whiz Lock Nut
11	11-318940	"O" Ring		1-319168	Blackmer Pump	NOTES: For complete Pump, Support Bracket & Manifold Asy. order: 420783-1 H413A-R (Includes items # 15, 29, 30, 32, 33, 35, 41 & 45) 420783-2 H426A-R (Includes items # 15, 29, 30, 32, 33, 34, 35, 41 & 45) For complete Raceway Asy. order: 420791-1 H413A-R-V1 420791-2 H426A-R-V1 420791-3 H413A-R-V1-N 420791-4 H426A-R-V1-N (Reference drawing 420792 Final Assembly)		
12	1-319053	Pipe Clamp		420780-3	Blackmer Pump & Fitting Asy. (Includes Items #5, 6, 14 & 37)			
13	1-319054	Pipe Support		1-319168	Blackmer Pump			
14	1-319160	Pump Mounting Bracket		420780-4	Blackmer Pump & Fitting Asy. (Includes Items #5, 6, 14 & 37)			
15	1-319166	Lifting Bracket		1-319168	Blackmer Pump			
16	319177-1	Fuel Inlet Tube Asy.		420780-4	Blackmer Pump & Fitting Asy. (Includes Items #5, 6, 14 & 37)			
17	319177-2	Fuel Inlet Tube Asy.		1-319168	Blackmer Pump			
18	319177-3	Fuel Inlet Tube Asy.		420780-4	Blackmer Pump & Fitting Asy. (Includes Items #5, 6, 14 & 37)			
19	319180-1	Fuel Discharge Tube Asy.		1-319168	Blackmer Pump			
20	319181-1	Fuel Discharge Tube Asy.		32-50361	5/16-18 X 5/8 Lg. Hex. Hd. Cap Screw			
21	319182-1	Fuel Discharge Tube Asy.						
22	319183-1	Fuel Discharge Tube Asy.						
23	319186-1	Vapor Discharge Tube Asy.						
24	319187-1	Vapor Discharge Tube Asy.						
25	319188-1	Vapor Discharge Tube Asy.						
	319228-1	Outlet Adapter & Tube Asy. (Includes #10 & #11)						
26	319189-1	Vapor Discharge Tube Asy.						
	319228-1	Outlet Adapter & Tube Asy. (Includes #10 & 11)						

1-741477

17" VAPOR RECOVERY FOR HIGH HOSE NH413A & NH426A

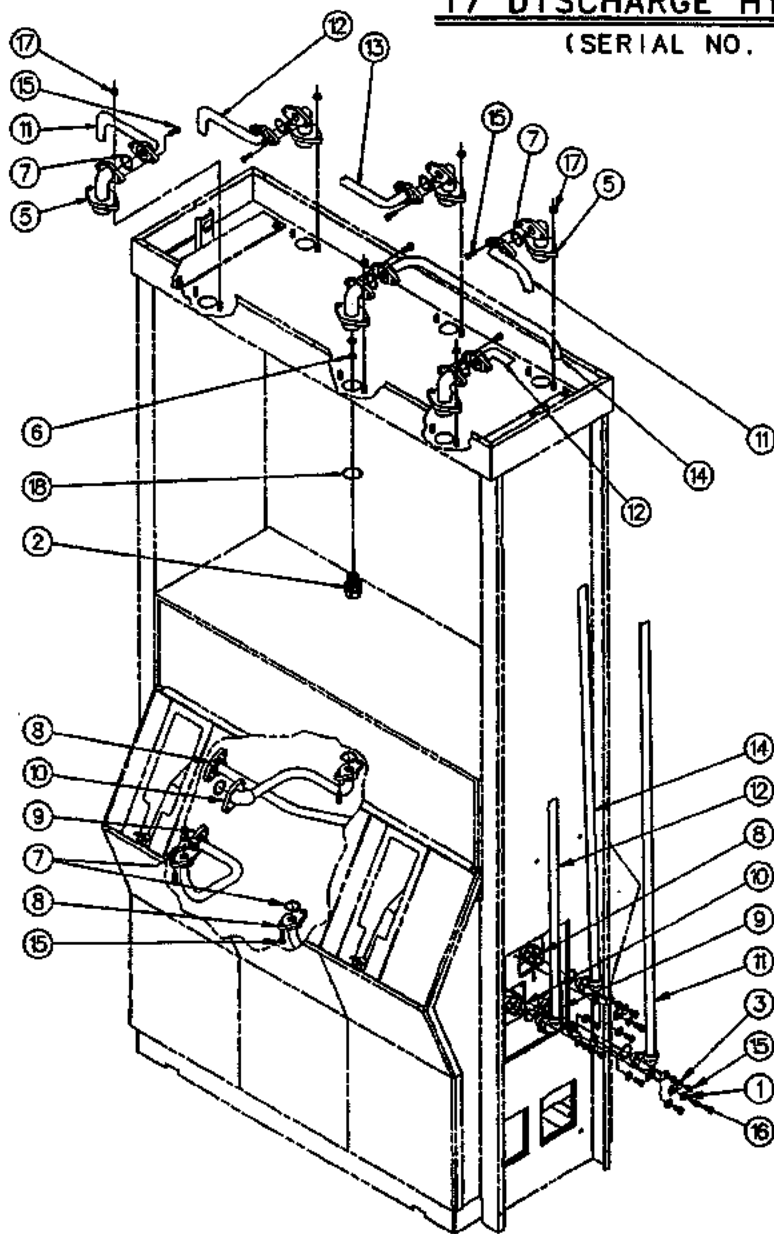
(Serial No. 109-628-40692 & Below)
119-426-50383
030-324-52339



Item No.	Part No.	Name Of Part
1	5-227588	Slip Joint (NH426A)
2	1-230118	Strap Clamp
3	1-318230	Tee (NH426A)
	1-318282	Tee (NH413A)
4	1-318272	Pipe Support
5	1-318821	Vapor Discharge Tube
6	62-37106	"O" Ring
7	32-50361	5/16-18 X 5/8 Long Hex Head Cap Screw
8	180-50510	3/4 X 1-1/2 Long Pipe
9	287-50510	3/4 X 83-1/2 Long Pipe
10	288-50510	3/4 X 85-1/2 Long Pipe
11	293-50510	3/4 X 3-3/4 Long Pipe
12	74-50560	3/4 X 4 Long Pipe Nipple (NH413A)
13	10-51491	#14 X 1/2 Long P.K. Self-Tapping Screw
14	05-51700	3/4 X 90° Elbow - Banded
15	05-51710	90° Street Elbow
16	04-51780	Union - Female
17	05-51900	3/4 Pipe Plug
18	02-54752	5/16-18 M-F Flange Whiz-Lock Nut

17" DISCHARGE HYDRAULICS FOR HIGH HOSE

(SERIAL NO. 109-628-40692 & BELOW)
 119-426-50383
 030-324-52339

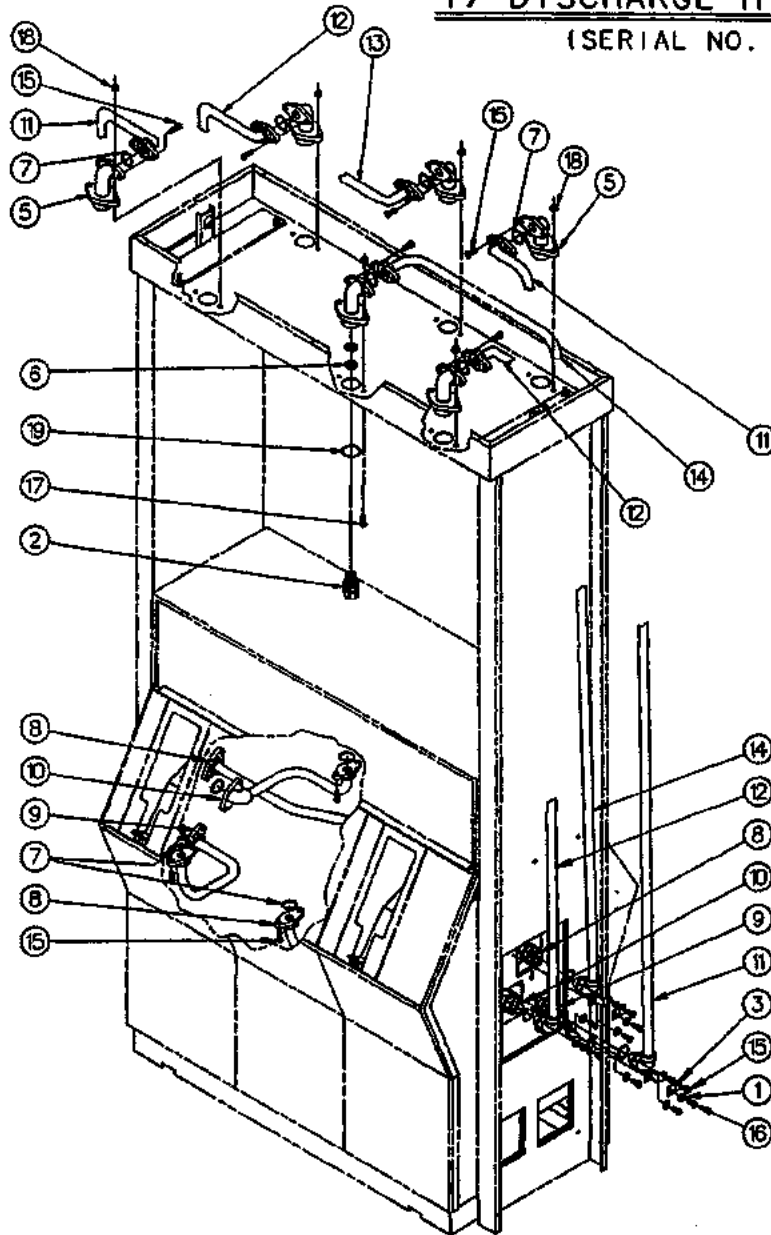


Item No.	Part No.	Name Of Part
1	1-120751	Washer
2	1-227373	5/8" 45° Hose Swivel
3	1-229672	Support Bracket
4	3-317828	Corrugated Co-axial Hose
	001-547610-06	(Vapor Recovery)(Not Shown) 5/8" I.D. X 10'-6" Long Hose (Not Shown)
5	Outlet Adaptor	(Vapor Recovery)
	2-318229	(Non Vapor Recovery)
	2-318241	
6	11-318940	"O" Ring (Used Only On Vapor Recovery & Interim Vapor)
7	17-318940	"O" Ring
8	419606-1	Discharge Tube Assembly
9	419607-1	Discharge Tube Assembly
10	419608-1	Discharge Tube Assembly
11	420203-1	Outlet Tube Assembly
12	420205-1	Outlet Tube Assembly
13	420207-1	Outlet Tube Assembly
14	420207-2	Outlet Tube Assembly
15	35-50361	5/16-18 X 1" Long Hex Head Cap Screw
16	10-51491	#14 X 1/2 Long P.K. Self- Tapping Screw
17	02-54752	5/16-18 M-F Flange Whiz-Lock Nut
18	27-318940	"O" Ring (Interim Vapor Only)

1-741434

17" DISCHARGE HYDRAULICS FOR HIGH HOSE

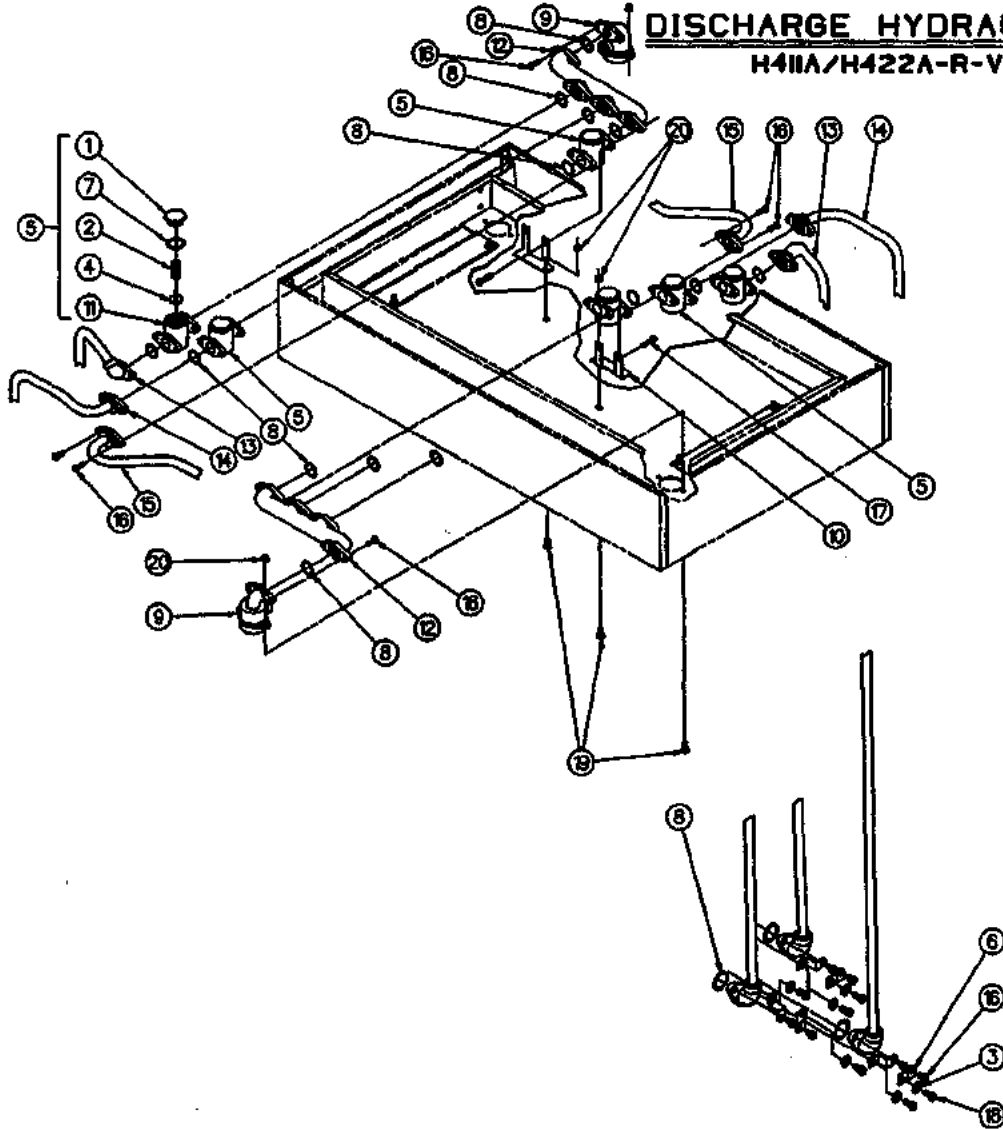
(SERIAL NO. 109-628-40693 & ABOVE)
 119-426-50384
 030-324-52340



Item No.	Part No.	Name Of Part
1	1-120751	Washer
2	1-227373	5/8" 45° Hose Swivel
3	1-229672	Support Bracket
4	3-317828	Corrugated Co-axial Hose (Vapor Recovery)(Not Shown)
	001-547610-06	5/8" I.D. X 10'-6" Long Hose (Not Shown)
5	Outlet Adapter 2-318229 2-318241	(Vapor Recovery) (Non Vapor Recovery)
6	11-318940	"O" Ring (Used Only On Vapor Recovery & Interim Vapor)
7	17-318940	"O" Ring
8	419608-1	Discharge Tube Assembly
9	419607-1	Discharge Tube Assembly
10	419608-1	Discharge Tube Assembly
11	420203-1	Outlet Tube Assembly
12	420205-1	Outlet Tube Assembly
13	420207-1	Outlet Tube Assembly
14	420207-2	Outlet Tube Assembly
15	35-50361	5/16-18 X 1" Long Hex Head Cap Screw
16	10-51491	#14 X 1/2 Long P.K. Self- Tapping Screw
17	39-52198	5/16-18 X 1" Long Carriage Bolt
18	02-54752	5/16-18 M-F Flange Whiz-Lock Nut
19	27-318940	"O" Ring (Interim Vapor Only)

1-741435

DISCHARGE HYDRAULICS
H411A/H422A-R-V

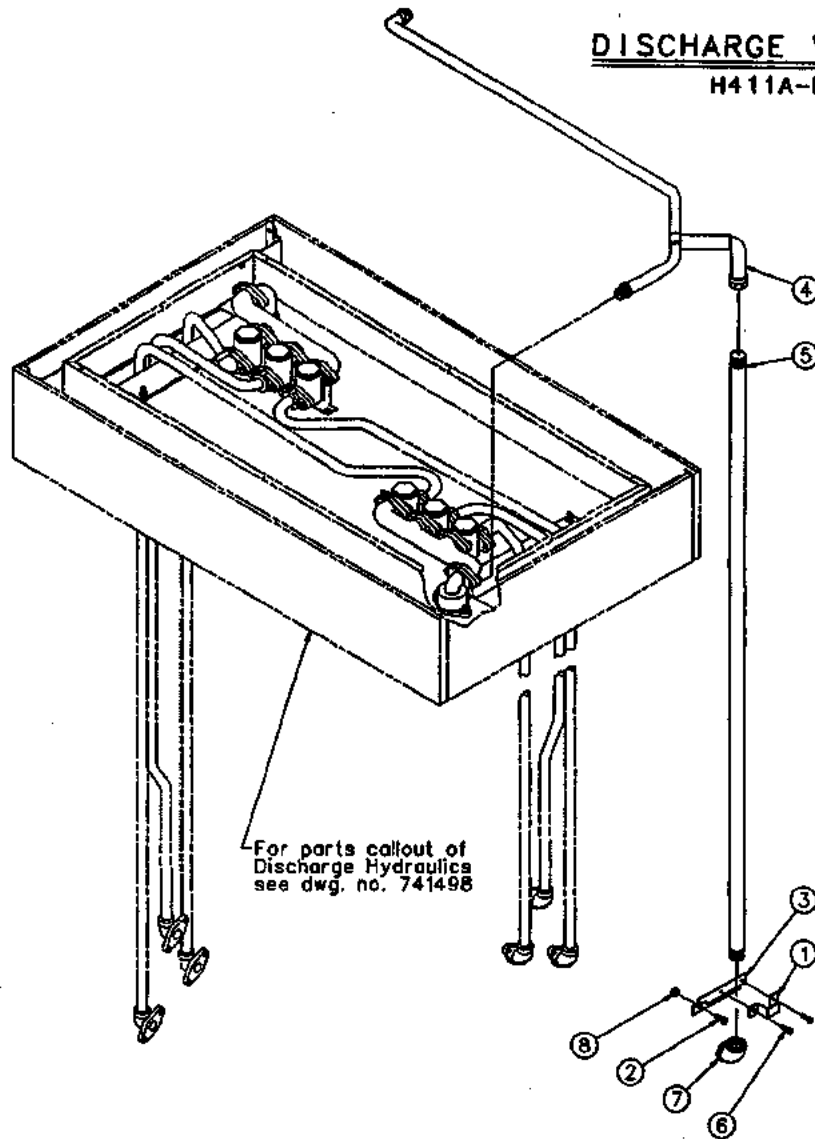


Item No.	Part No.	Name Of Part
1	1-120731	Check Valve Cap
2	1-120733	Poppet Spring
3	1-120751	Washer
4	213168-1	Poppet Disc & Relief Valve Assembly
5	229228-2	Check Valve Assembly
6	1-229672	Support Bracket
7	6-313235	Check Valve Gasket
8	13-313235	Gasket
9	2-318229	Outlet Adapter
10	1-319179	Manifold Support Bracket
11	2-418686	Check Valve
12	1-420693	Manifold
13	420699-1	Outlet Tube Assembly
14	420702-1	Outlet Tube Assembly
15	420727-1	Outlet Tube Assembly
16	35-50361	5/16-18 X 1" Long Hex Head Cap Screw
17	36-50361	5/16-18 X 1-1/4 Long Hex Head Cap Screw
18	10-51491	#14 X 1/2 PK Self Tapping Screw
19	39-52198	5/16-18 X 1" Long Carriage Bolt
20	02-54752	5/16-18 M-F Flange Whiz-Lock Nut

I-741498

DISCHARGE VAPOR RECOVERY

H411A-R & H422A-R

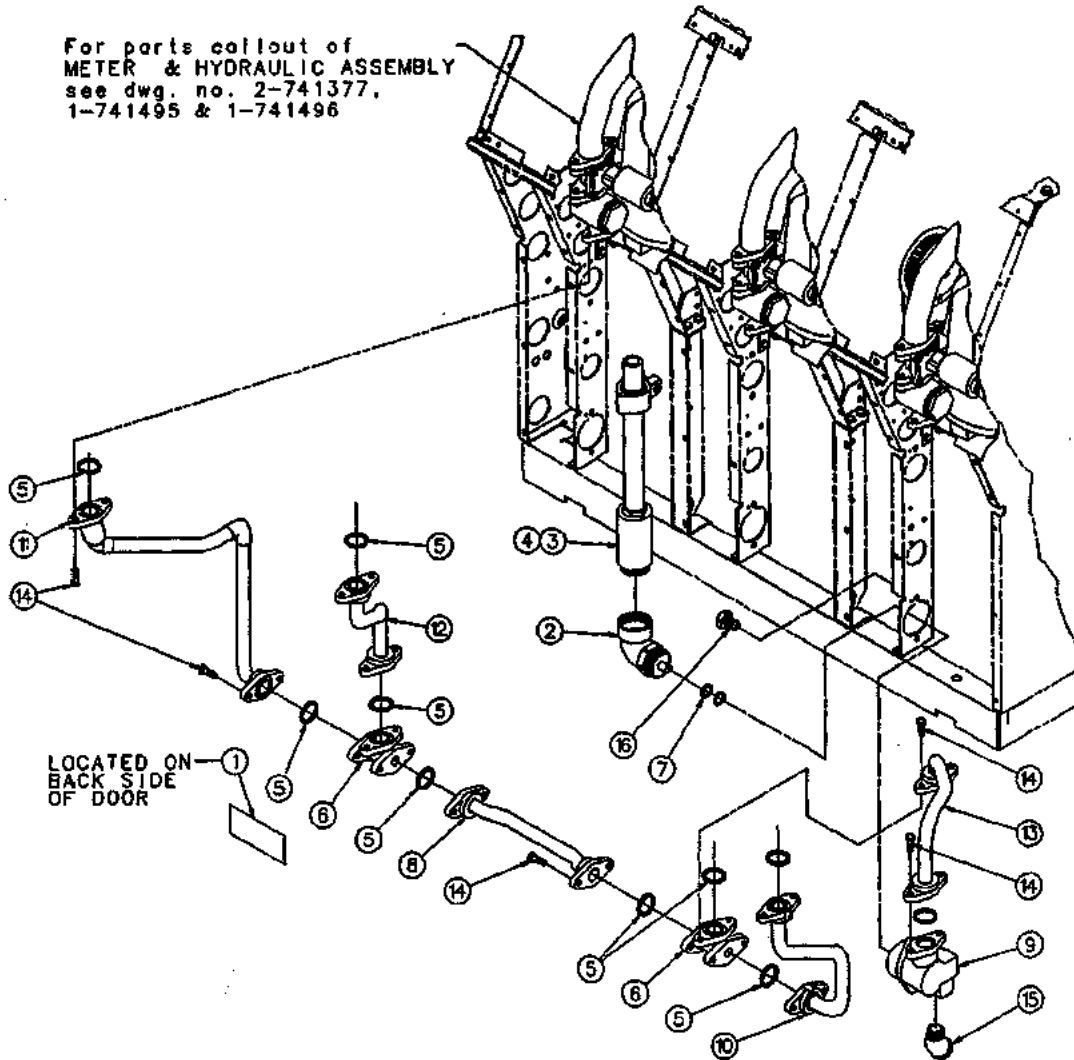


Item No.	Part No.	Name Of Part
1	1-230887	Pipe Clamp (H411A)
	1-319053	Pipe Clamp (H422A)
2	1-230958	5/16-18 X 3/4 Long Hex Head Cap Screw
	1-319054	Pipe Support
4	420567-11	Manifold Assembly (H411A)
	420567-12	Manifold Assembly (H422A)
5	301-50510	1" X 79-11/16 Long Pipe (H422A)
	302-50510	3/4" X 79-11/16 Long Pipe (H411A)
6	10-51491	#14 X 1/2 Long P.K. Self Tapping Screw
	05-51700	90° Elbow - Banded (H411A)
7	06-51700	90° Elbow - Bonded (H422A)
	02-54752	5/16-18 M-F Flange Whiz-Lock Nut

1-741499

LOW DISCHARGE VAPOR RECOVERY REMOTE CONTROL 411A & 422A

For parts callout of
 METER & HYDRAULIC ASSEMBLY
 see dwg. no. 2-741377,
 1-741495 & 1-741496



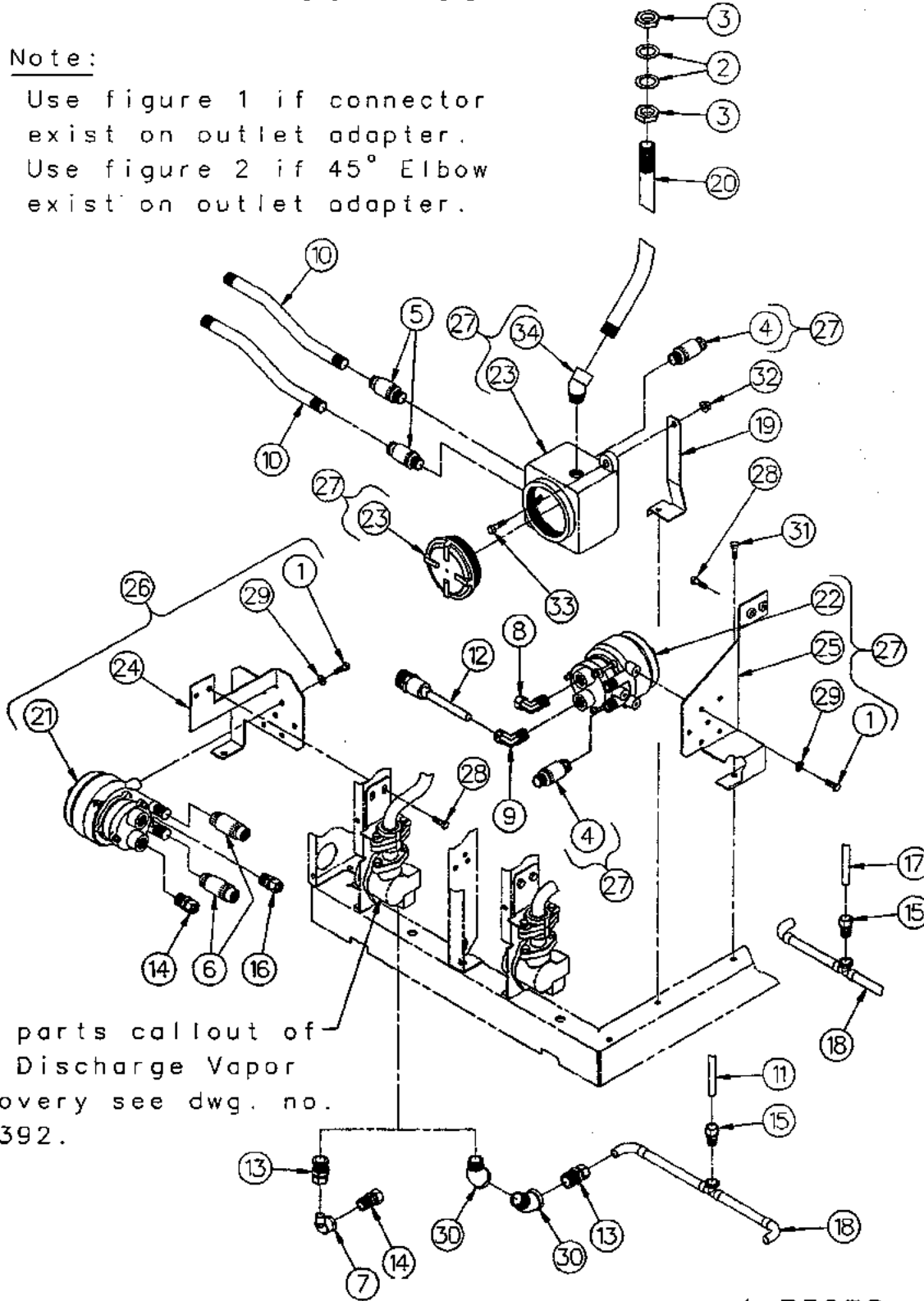
Item No.	Part No.	Name Of Part
1	1-131584	Warning Label
2	1-228347	90° Coax Swivel (OPW)
	1-228363	90° Coax Swivel (Emco-Wheaton)
3	229024-1	Co-Axial Hose & Clamp (Corrugated)
	229024-2	Co-Axial Hose & Clamp (Smooth)
4	229025-1	Unleaded Vapor Nozzle (Emco-Wheaton)
	229025-2	Unleaded Vapor Nozzle (OPW)
	229025-3	Leaded Vapor Nozzle (Emco-Wheaton)
	229025-4	Leaded Vapor Nozzle (OPW)
5	13-313235	Gasket
6	2-318807	Tee
7	11-318940	"O" Ring
8	319289-1	Outlet Tube Assembly
9	1-420716	Outlet Adapter
10	420852-1	Outlet Tube Assembly
11	420853-1	Outlet Tube Assembly
12	420854-1	Outlet Tube Assembly
13	420865-1	Discharge Tube Assembly
14	35-50361	5/16-18 X 1" Long Hex Head Cap Screw
15	05-51692	3/4 45° Street Elbow
16	35-84742	5/16-18 X 5/8 Long MF Hex Head Whiz-Lock Screw

I-741497

MaxVac LOW DISCHARGE SYSTEM (30" TCS "A")

Note:

Use figure 1 if connector exist on outlet adapter.
Use figure 2 if 45° Elbow exist on outlet adapter.



For parts callout of Low Discharge Vapor Recovery see dwg. no. 741392.

Figure 1

Figure 2

1-73978

MaxVac LOW DISCHARGE SYSTEM**30" TCS "A"**

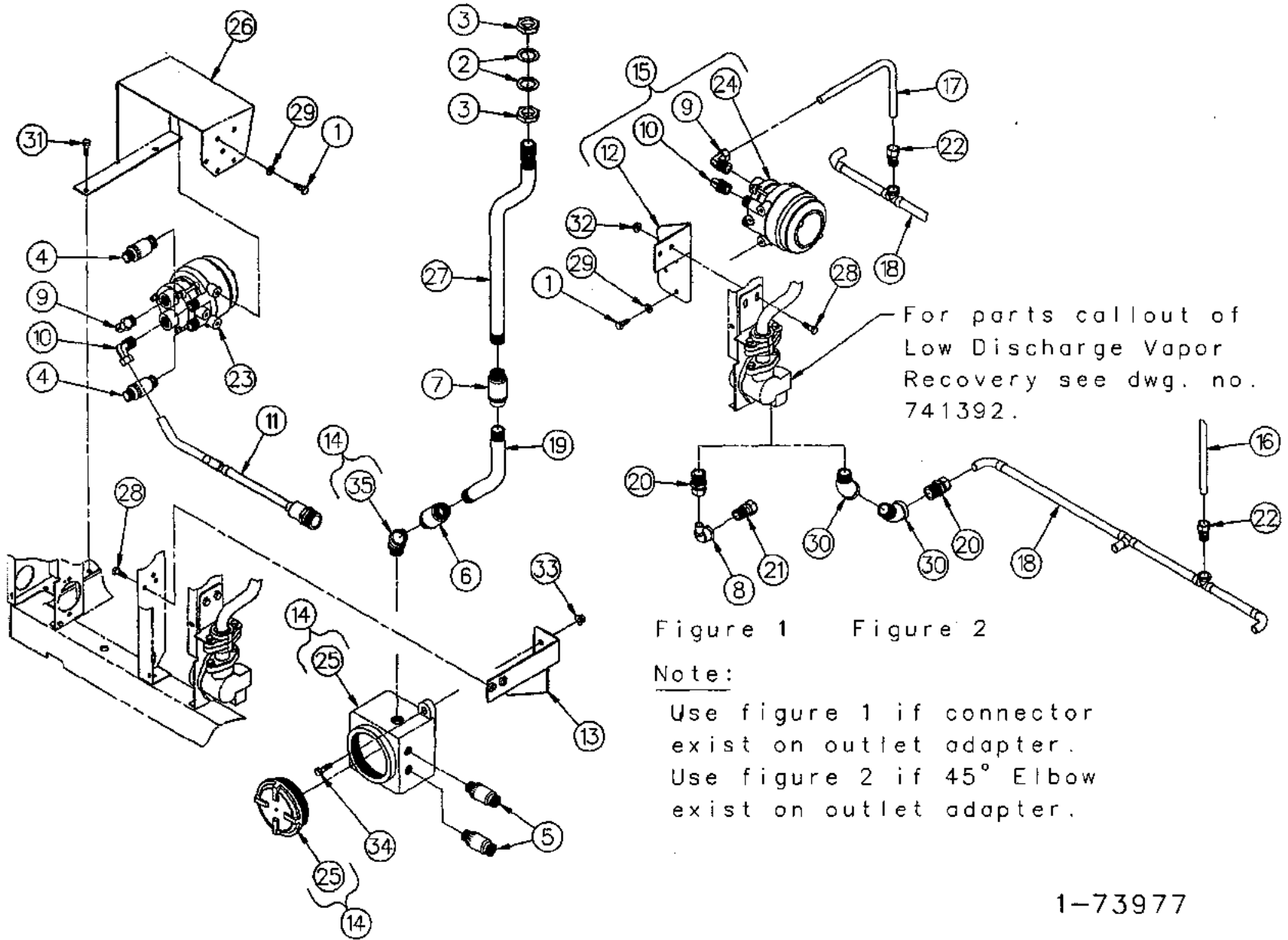
ITEM NO.	PART NO.	DESCRIPTION
1	1-132767	M8 x 20mm Long Hex Head Machine Screw
2	1-132777	Conduit Washer
3	1-132791	Hexagon Locknut
4	1-218941	1/2-14 Expansion Union (M/F)
5	1-218941 04-51901	1/2-14 Expansion Union (M/F)(322A & 324A) 1/2" Square Head Pipe Plug (311A, & 312A)
6	1-219892	1/2-14 Expansion Union (Female)
7	1-232277	1/2 NPT 90° Fitting Elbow
8	1-232281	1/2" Tube x 90° Male Elbow
9	2-232281	5/8" Tube x 90° Male Elbow
10	1-232364	Conduit
11	<u>Inlet Tube Assembly</u>	
	1-232441	Used With Item #7 (311A & 312A)
	1-319857	Used With Item #30 (311A & 312A)
	3-319704	Used With Item #7 (322A Side "A" & 324A Side "A")
	1-319856	Used With Item #30 (322A Side "A" & 324A Side "A")
12	<u>Outlet Tube Assembly</u>	
	232456-1	311A & 312A
	232456-2	322A & 324A
13	1-319636	3/4 NPTF Male Connector (1/2" Tube)
14	2-319636	1/2 NPTF Male Connector (1/2" Tube)
15	3-319636	3/8 NPTF Male Connector (3/8" Tube)
16	4-319636	1/2 NPTF Male Connector (3/8" Tube)
17	<u>Inlet Tube Assy. (322A Side "B" & 324A Side "B")</u>	
	1-319858	Used With Item #7
	2-319858	Used With Item #30
18	<u>Manifold Assembly</u>	
	319860-1	311A & 322A Side "A"
	319860-2	311A-RB3/5, 322A-RB3/5 & 322A Side "B"
	319860-3	312A & 324A
19	1-319861	Box Support Bracket
20	319910-2	Conduit & Harness Assembly
21	421473-4	Pump Assembly (Includes Item #14 & 16)(322A & 324A Side "B")
22	421473-5	Pump Assembly (Includes Item #8 & 9)(311A, 312A, 322A Side "A" & 324A Side "A")
23	1-421490	Cover & Junction Box
24	421740-1	Motor Bracket Assembly (322A & 324A Side "B")
25	421741-1	Bracket Assembly
26	421754-1	Pump & Bracket Assembly (322A Side "B" & 324A Side "B")
27	421777-1	Pump Bracket & Box Assembly (311A, 312A, 322A Side "A", 324A Side "A")
28	32-50361	5/16-18 x 5/8" Long Hex Head Cap Screw
29	14-50641	5/16" Split Lockwasher
30	05-51692	3/4" x 45° Street Elbow (M-F)
31	35-54742	5/16-18 x 5/8" Long M-F Hex Head Whiz Lock Screw
32	02-54752	5/16-18 M-F Flange Whiz Lock Nut
33	40-54752	5/16-18 x 1-1/4" Long M-F Hex Head Whiz Lock Screw
34	02-55472	45° Short Conduit Elbow

Reference:

319910 Conduit Assembly
421836 30" Vapor Recovery Kit

1-73978

45" & 60" TCS "A" MaxVac LOW DISCHARGE SYSTEM



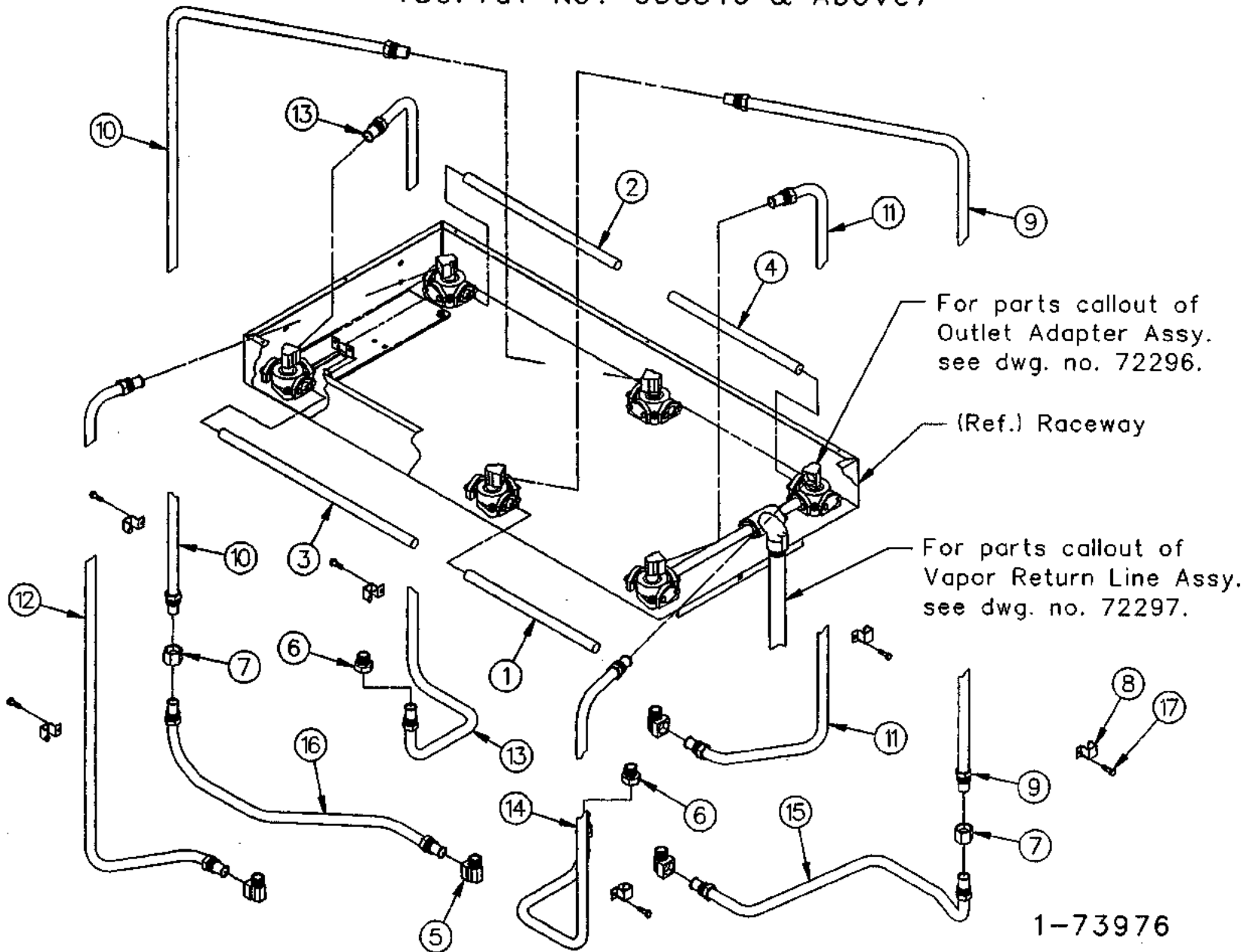
45" & 60" TCS "A" MaxVac LOW DISCHARGE SYSTEM

ITEM NO.	PART NO.	DESCRIPTION	ITEM NO.	PART NO.	DESCRIPTION
1	1-132767	M8 x 20mm Long Hex Head Machine Screw	19	1-319725	Conduit
2	1-132777	Conduit Washer	20	1-319636	3/4 NPTF Male Connector (1/2" Tube)
3	1-132791	Hexagon Locknut	21	2-319636	1/2 NPTF Male Connector (1/2" Tube)
4	1-218941	1/2-14 Expansion Union (M/F)	22	3-319636	3/8 NPTF Male Connector (3/8" Tube)
5	1-218941	1/2-14 Expansion Union (M/F)(422A, 426A & 628A)	23	<u>Pump Assembly (Includes Items 9 & 10) (411A, 413A, 614A, 422A Side "A", 426A Side "A")</u>	
	04-51901	1/2" Square Head Pipe Plug (411A, 413A & 614A)		421476-2	NuovoPignone
6	2-218941	3/4-14 Expansion Union (M/F)		2-421736	Thomas
7	2-219892	3/4-14 Expansion Union (Female)	24	<u>Pump Assembly (Includes Item 9 & 10)(422A Side "B", 426A Side B & 628A Side "B")</u>	
8	1-232277	1/2 NPT 90° Fitting Elbow		1-232793	Filter Screen (used on both)
9	1-232281	1/2" Tube x 90° Male Elbow		421476-3	Nuovo Pignone
10	2-232281	5/8" Tube x 90° Male Elbow		2-421736	Thomas
11	<u>Outlet Tube Assembly</u>			1-232793	Filter Screen (used on both)
	232287-1	422A, 426A & 628A	25	1-421490	Cover & Junction Box
	232330-1	411A, 413A & 614A	26	1-421492	Motor Bracket
12	232288-1	Motor Bracket (422A, 426A & 628A Side "B")	27	421517-2	Conduit & Harness Assembly
13	232316-1	Bracket Weld Assembly	28	32-50361	5/16-18 x 5/8" Long Hex Head Cap Screw
14	319695-1	Box & Pump Assembly (411A, 413A, 614A, 422A Side "A", 426A Side "A" & 628A Side "A")	29	14-50641	5/16" Split Lockwasher
15	319696-1	Pump & Bracket Assembly (422A Side "B", 426A Side "B" & 628A Side "B")	30	05-51692	3/4" x 45° Street Elbow (M-F)
16	<u>Vapor Inlet Tube</u>		31	35-54742	5/16-18 x 5/8" Long M-F Hex Head Whiz Lock Screw
	1-232425	628A Side "B"	32	02-54752	5/16-18 M-F Flange Whiz Lock Nut
	1-319703	422A Side "B" & 426A Side "B"	33	04-54752	3/8-16 M-F Flange Whiz Lock Nut
17	<u>Vapor Inlet Tube</u>		34	55-55132	3/8-16 x 1-1/4" Long M-F Hex Head Whiz Lock Screw
	1-232487	60"	35	02-55472	45° Short Conduit Elbow
	1-319704	45" Used With Item #8		<u>Reference:</u>	
	2-319704	45" Used With Item #30		319517	Conduit Assembly
18	<u>Manifold Assembly</u>			319729	45" Vapor Recovery Kit
	319707-1	413A, 426A, 614A & 628A		320122	60" Vapor Recovery Kit
	319788-1	411A & 422A			

TCS/TCSA Dispenser Parts Manual
Form 4578A Version 1.0
Tokheim Corporation February 1996

H413A & H426A DISCHARGE ASSEMBLY

(Serial No. 068546 & Above)



H413A & H426A DISCHARGE ASSEMBLY (Serial No. 068546 & Above)

ITEM NO.	PART NO.	DESCRIPTION
1	63-230486	Vapor Tube (15.37 Long)(H413A & H426A Side "A")
2	63-230486	Vapor Tube (15.37 Long)(H426A Side "B")
3	64-230486	Vapor Tube (23.15 Long)(H413A & H426A Side "A")
4	64-230486	Vapor Tube (23.15 Long)(H426A Side "B")
5	1-230993	90° Inverted Flare Elbow
6	1-230994	Inverted Flare Connector
7	1-231845	Union
8	1-231855	Discharge Tube Clamp
9	319359-1	Upper Discharge Tube Assembly (H413A & H426A Side "A")
10	319359-2	Upper Discharge Tube Assembly (H426A Side "B")
11	421044-1	Discharge Tube Assembly (H413A & H426A Side "A")
12	421044-1	Discharge Tube Assembly (H426A Side "B")
13	421045-1	Discharge Tube Assembly (H413A & H426A Side "A")
14	421045-1	Discharge Tube Assembly (H426A Side "B")
15	421046-1	Lower Outlet Tube Assembly (H413A & H426A Side "A")
16	421046-1	Lower Outlet Tube Assembly (H426A Side "B")
17	10-51491	#14 x 1/2" Long P.K. Self Tapping Screw

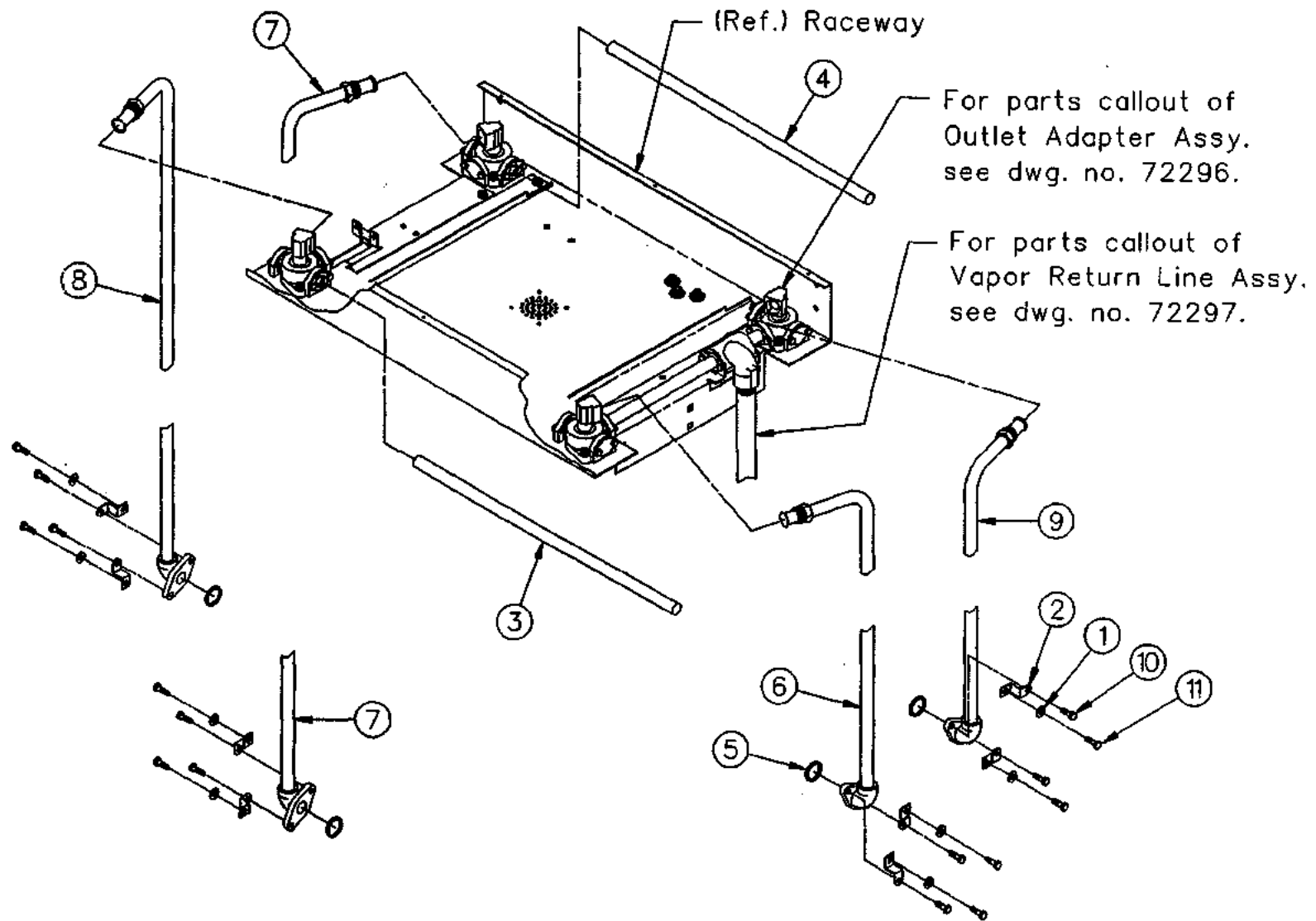
Reference:

420501 Trim Assembly

1-73976

DISCHARGE ASSEMBLY

(H311A, H312A, H322A & H324A)
(MaxVac)



1-73971

1-73971

1 of 1

DISCHARGE ASSEMBLY

(H311A, H312A, H322A & H324A) (MaxVac)

ITEM NO.	PART NO.	DESCRIPTION
1	1-120751	Washer
2	1-229672	Support Bracket
3	78-230486	Vapor Tube (H312A & H324A Side "A")
4	78-230486	Vapor Tube (H324A Side "B")
5	13-313235	Gasket
6	421504-1	Discharge Tube Assembly (H312A & H324A)
7	421504-1	Discharge Tube Assembly (H322A & H324A)
8	421504-2	Discharge Tube Assembly (H311A, H312A, H322A & H324A)
9	421504-2	Discharge Tube Assembly (H324A)
10	35-50361	5/16-18 x 1" Long Hex Head Cap Screw
11	10-51491	#14 x 1/2" Long P.K. Self Tapping Screw

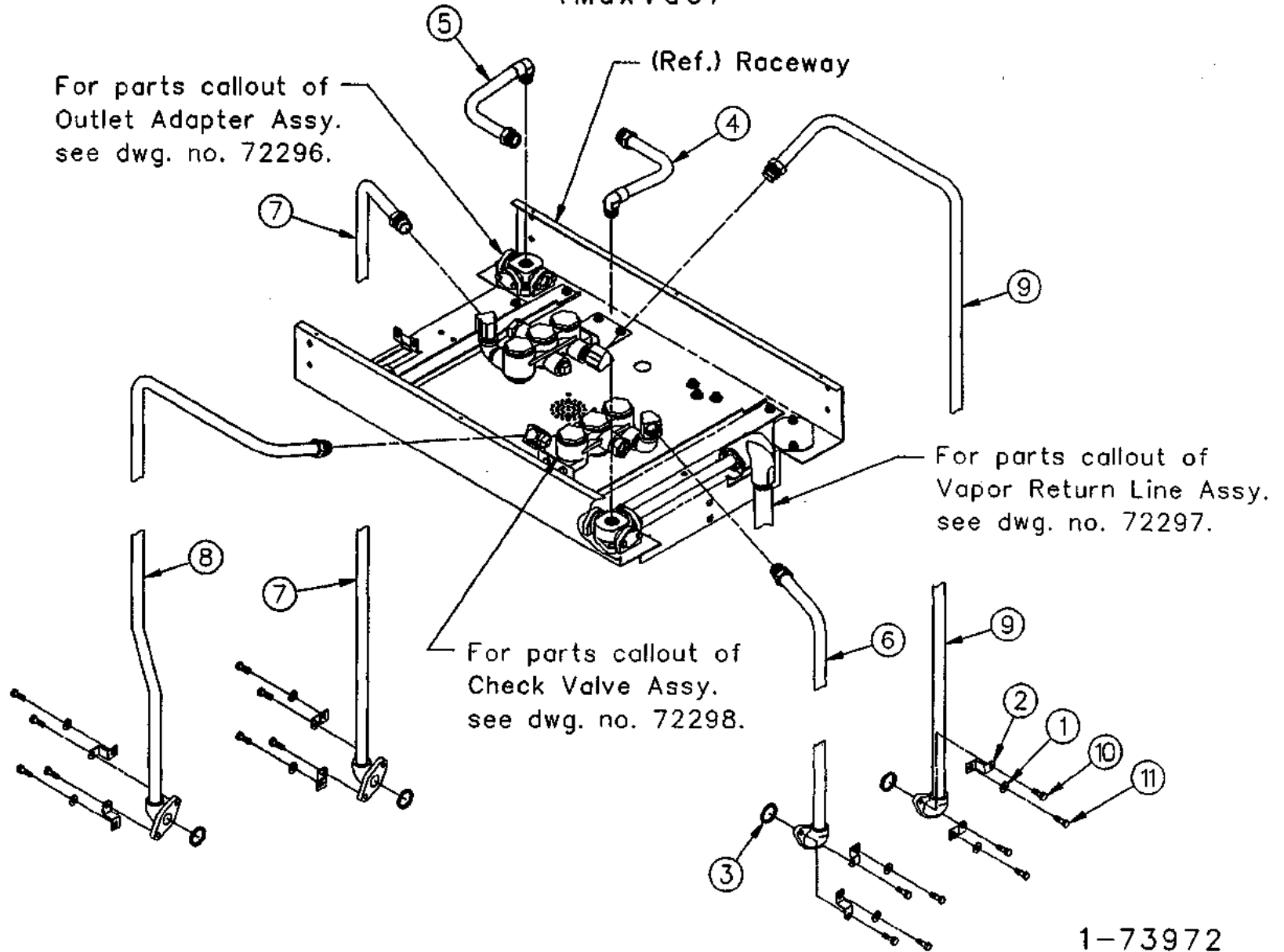
Reference:

319828 Raceway Assembly
319840 Vapor Recovery Kit

1-73971

DISCHARGE ASSEMBLY

(H311A-RB3/5 & H322A-RB3/5)
(MaxVac)



DISCHARGE ASSEMBLY

(H311A-RB3/5 & H322A-RB3/5) (MaxVac)

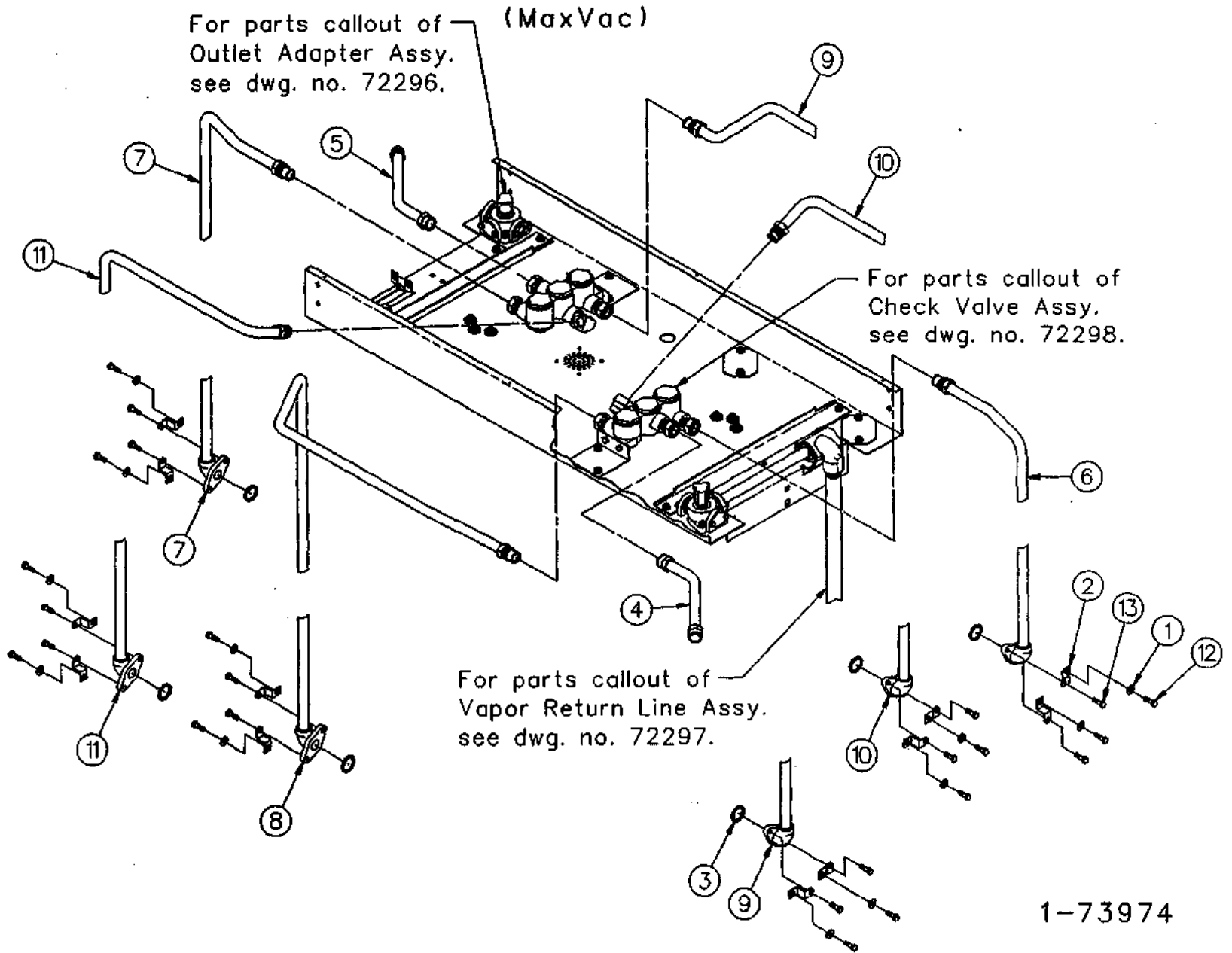
ITEM NO.	PART NO.	DESCRIPTION
1	1-120751	Washer
2	1-229672	Support Bracket
3	13-313235	Gasket
4	319680-1	Fuel Tube Assembly (H311A-RB3/5 & H322A-RB3/5 Side "A")
5	319680-1	Fuel Tube Assembly (H322A-RB3/5 Side "B")
6	319817-1	Tube Discharge Assembly (H311A-RB3/RB5 & H322A-RB3/RB5 Side "A")
7	319817-1	Tube Discharge Assembly (H322A-RB3/5 Side "B")
8	319818-1	Tube Discharge Assembly (H311A-RB3/RB5 & H322A-RB3/RB5 Side "A")
9	319818-1	Tube Discharge Assembly (H322A-RB3/5 Side "B")
10	35-50361	5/16-18 x 1" Long Hex Head Cap Screw
11	10-51491	#14 x 1/2" Long P.K. Self Tapping Screw

Reference:

319828 Raceway Assembly
319840 Vapor Recovery Kit

1-73972

H411A & H422A DISCHARGE ASSEMBLY



1-73974

1-73974

1 of 1

H411A & H422A DISCHARGE ASSEMBLY (MaxVac)

ITEM NO.	PART NO.	DESCRIPTION
1	1-120751	Washer
2	1-229672	Support Bracket
3	13-313235	Gasket
4	319421-1	Outlet Tube Assembly (H411A & H422A Side "A")
5	319421-1	Outlet Tube Assembly (H422A Side "B")
6	319779-1	Inlet Fuel Tube Assembly (H411A & H422A Side "A")
7	319779-1	Inlet Fuel Tube Assembly (H422A Side "B")
8	319782-1	Inlet Fuel Tube Assembly (H411A & H422A Side "A")
9	319782-1	Inlet Fuel Tube Assembly (H422A Side "B")
10	319784-1	Inlet Fuel Tube Assembly (H411A & H422A Side "A")
11	319784-1	Inlet Fuel Tube Assembly (H422A Side "B")
12	35-50361	5/16-18 x 1" Long Hex Head Cap Screw
13	10-51491	#14 x 1/2" Long P.K. Self Tapping Screw

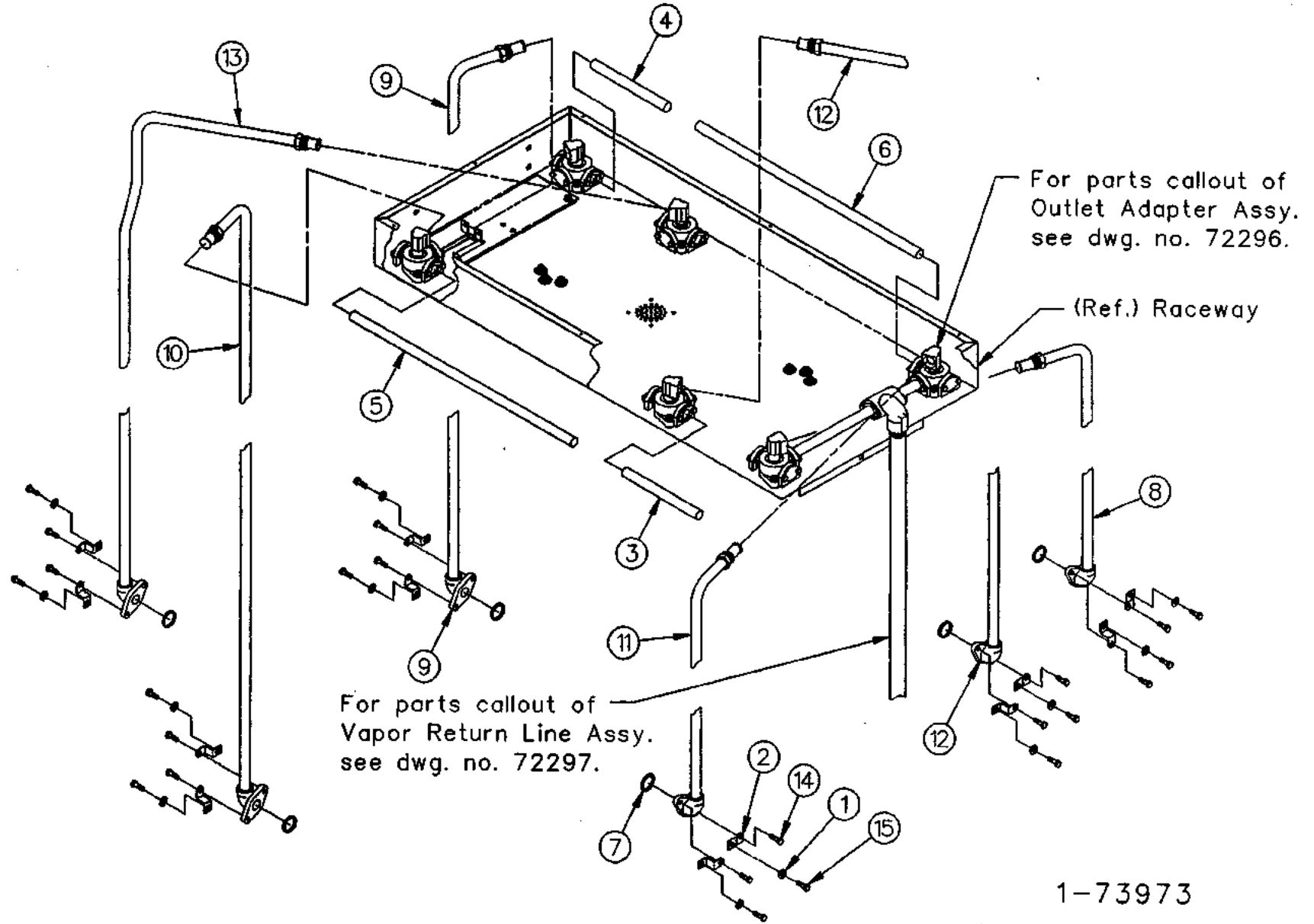
Reference:

319775 Vapor Recovery Kit
421591 Raceway Assembly

1-73974

H413A & H426A DISCHARGE ASSEMBLY

(MaxVac Serial No. 068545 & Below)



1-73973

1-73973

1 of 1

H413A & H426A DISCHARGE ASSEMBLY (MaxVac Serial No. 068545 & Below)

ITEM NO.	PART NO.	DESCRIPTION
1	1-120751	Washer
2	1-229672	Support Bracket
3	67-230486	Vapor Tube (10.27 Long)(H413A & H426A Side "A")
4	67-230486	Vapor Tube (10.27 Long)(H426A Side "B")
5	68-230486	Vapor Tube (28.27 Long)(H413A & H426A Side "A")
6	68-230486	Vapor Tube (28.27 Long)(H426A Side "B")
7	13-313235	Gasket
8	421504-1	Discharge Tube Assembly (H413A & H426A Side "A")
9	421504-1	Discharge Tube Assembly (H426A Side "B")
10	421504-2	Discharge Tube Assembly (H413A & H426A Side "A")
11	421504-2	Discharge Tube Assembly (H426A Side "B")
12	421508-1	Outlet Tube Assembly (H413A & H426A Side "A")
13	421508-1	Outlet Tube Assembly (H426A Side "B")
14	35-50361	5/16-18 x 1" Long Hex Head Cap Screw
15	10-51491	#14 x 1/2" Long P.K. Self Tapping Screw

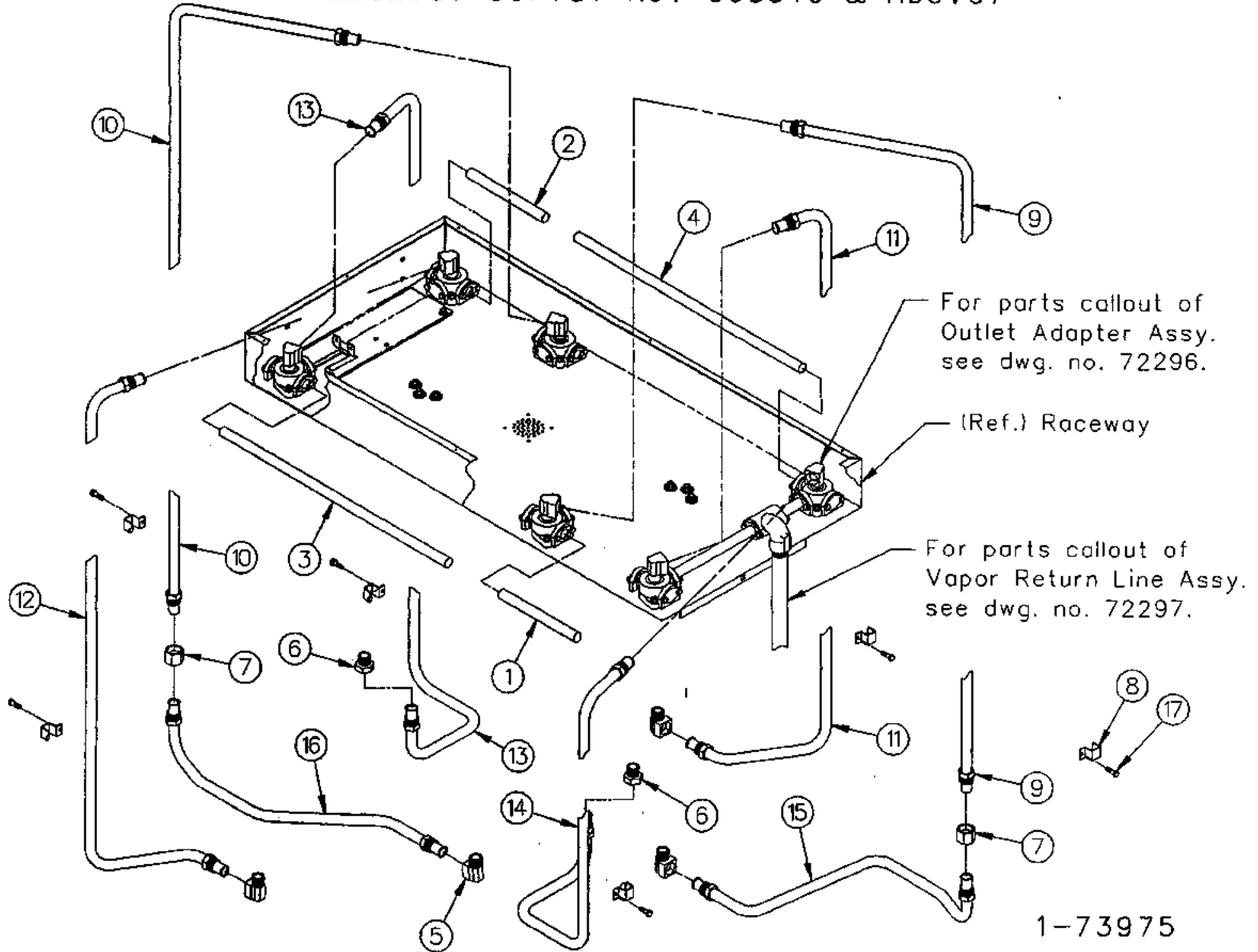
Reference:

319775 Vapor Recovery Kit
421591 Raceway Assembly

1-73973

H413A & H426A DISCHARGE ASSEMBLY

(MaxVac Serial No. 068546 & Above)



H413A & H426A DISCHARGE ASSEMBLY

(MaxVac Serial No. 068546 & Above)

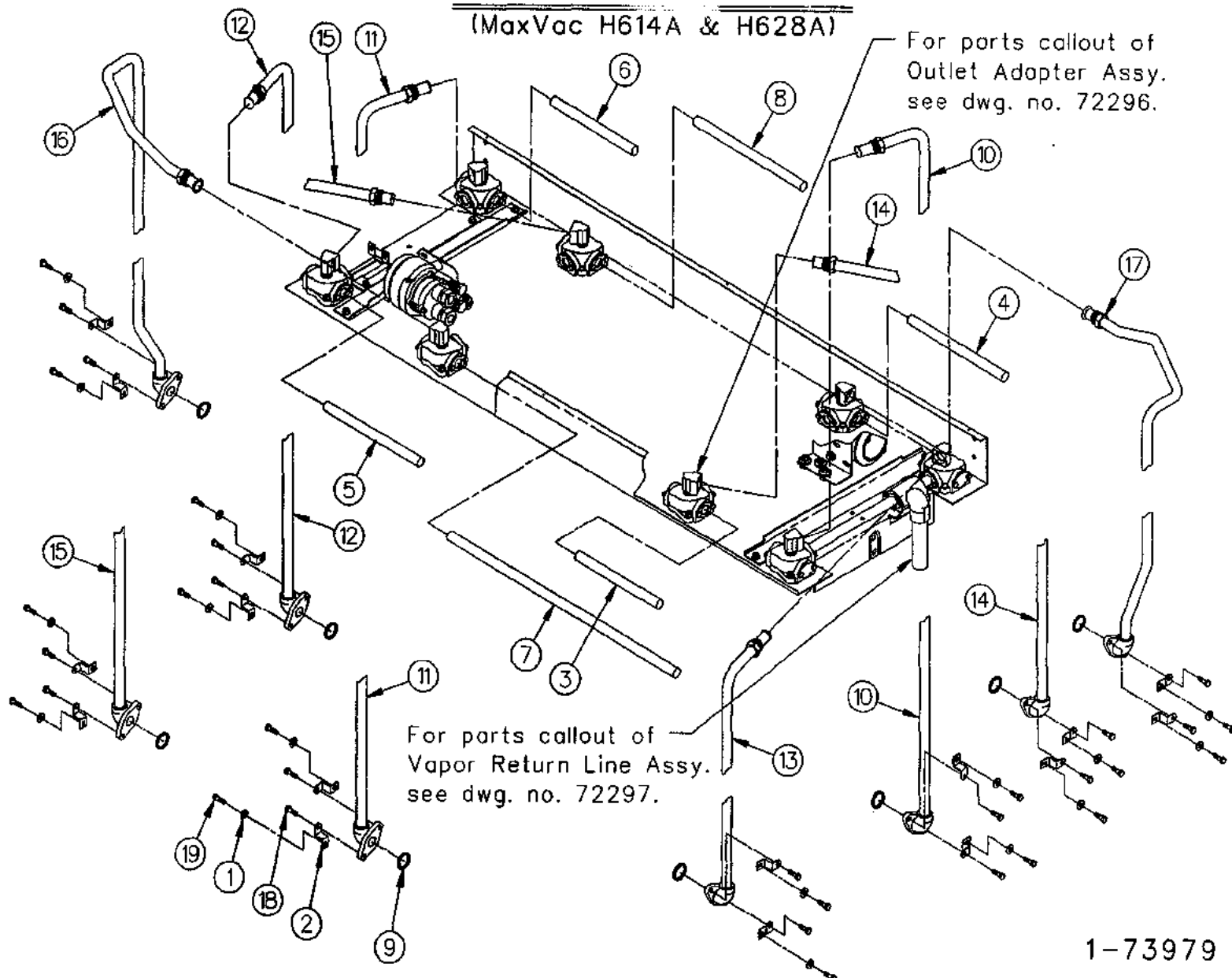
ITEM NO.	PART NO.	DESCRIPTION
1	67-230486	Vapor Tube (10.27 Long)(H413A & H426A Side "A")
2	67-230486	Vapor Tube (10.27 Long)(H426A Side "B")
3	68-230486	Vapor Tube (28.27 Long)(H413A & H426A Side "A")
4	68-230486	Vapor Tube (28.27 Long)(H426A Side "B")
5	1-230993	90° Inverted Flare Elbow
6	1-230994	Inverted Flare Connector
7	1-231845	Union
8	1-231855	Discharge Tube Clamp
9	319359-8	Upper Discharge Tube Assembly (H413A & H426A Side "A")
10	319359-8	Upper Discharge Tube Assembly (H426A Side "B")
11	421044-1	Discharge Tube Assembly (H413A & H426A Side "A")
12	421044-1	Discharge Tube Assembly (H426A Side "B")
13	421045-1	Discharge Tube Assembly (H413A & H426A Side "A")
14	421045-1	Discharge Tube Assembly (H426A Side "B")
15	421046-1	Lower Outlet Tube Assembly (H413A & H426A Side "A")
16	421046-1	Lower Outlet Tube Assembly (H426A Side "B")
17	10-51491	#14 x 1/2" Long P.K. Self Tapping Screw

Reference:

319775	Vapor Recovery Kit
420501	Trim Assembly
421591	Raceway Assembly

DISCHARGE ASSEMBLY

(MaxVac H614A & H628A)



1-73979

DISCHARGE ASSEMBLY (H614A & H628A)

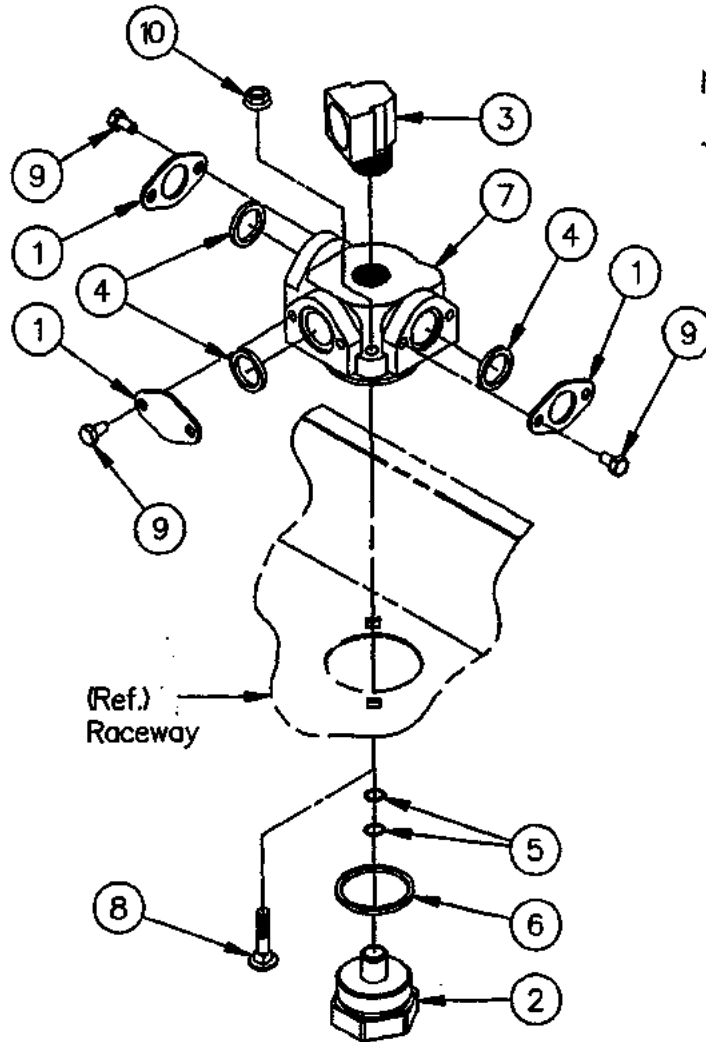
ITEM NO.	PART NO.	DESCRIPTION
1	1-120751	Washer
2	1-229672	Support Bracket
3	67-230486	Copper Tube Nipple
4	67-230486	Copper Tube Nipple (H628A Side "B")
5	69-230486	Copper Tube Nipple
6	69-230486	Copper Tube Nipple (H628A Side "B")
7	92-230486	Copper Tube Nipple
8	92-230486	Copper Tube Nipple (H628A Side "B")
9	13-313235	Gasket
10	421504-1	Outlet Tube Assembly
11	421504-1	Outlet Tube Assembly (H628A Side "B")
12	421504-2	Outlet Tube Assembly
13	421504-2	Outlet Tube Assembly (H628A Side "B")
14	421508-1	Outlet Tube Assembly
15	421508-1	Outlet Tube Assembly (H628A Side "B")
16	421867-1	Discharge Tube Assembly
17	421867-1	Discharge Tube Assembly (H628A Side "B")
18	35-50361	5/16-18 x 1" Long Hex Head Cap Screw
19	10-51491	#14 x 1/2" Long P.K. Self Tapping Screw

Reference:

319956 Vapor Recovery Kits
421874 Raceway Assembly

1-73979

OUTLET ADAPTER ASSEMBLY



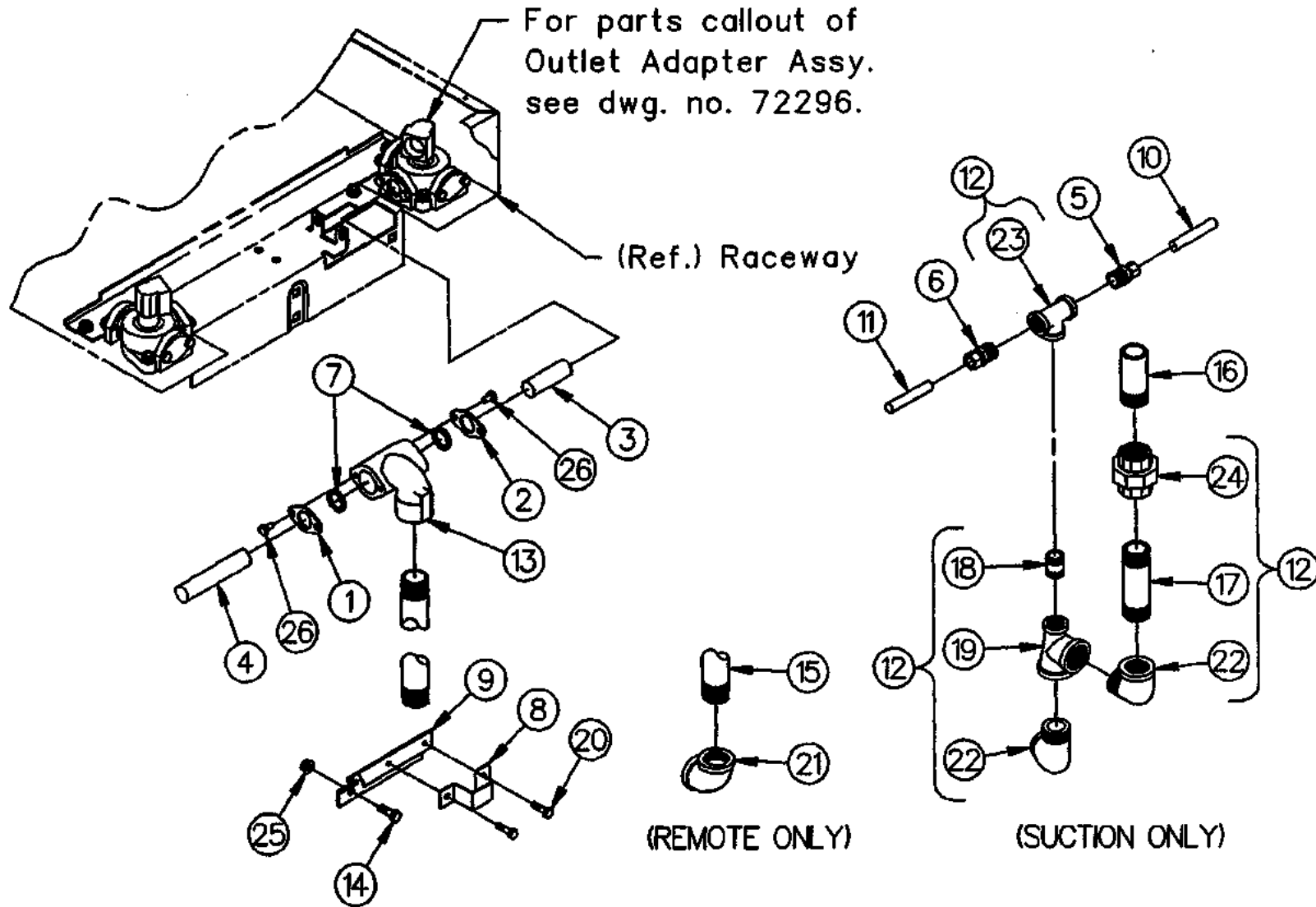
Item No.	Part No.	Name Of Part
1	Vapor 1-132494	Flange
	1-231836	Cap
2	Adapter 1-227838	3/4" Non Swivel
	2-227838	1" Non Swivel
	1-232274	Flow Inverter (MaxVac)
3	1-230993	90° Elbow Inverted Flare
4	20-313235	Gasket
5	11-318940	"O" Ring
6	27-318940	"O" Ring
7	Outlet Adapter 2-420899	All Models Except Listed Below
	3-420899	MaxVac (Side "B")
8	39-52198	5/16-18 x 1" Long Carriage Bolt
9	05-55132	1/4-20 x 1/2" Long M-F Flange Whiz Lock Screw
10	02-54752	5/16-18 M-F Flange Whiz Lock Nut



Notes

VAPOR RETURN LINE ASSEMBLY

(24" RACEWAY ONLY)

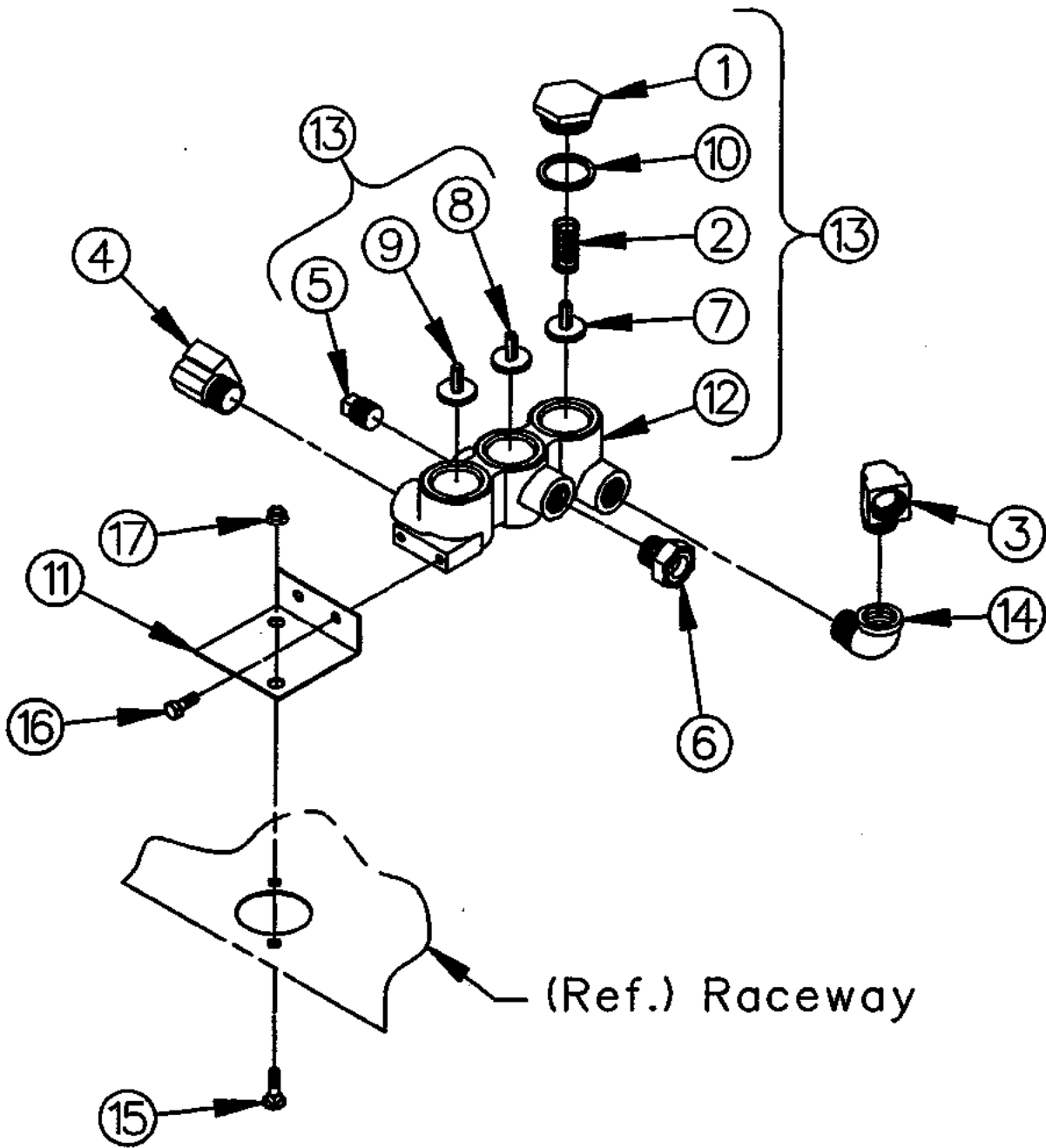


VAPOR RETURN LINE ASSEMBLY

ITEM NO.	PART NO.	DESCRIPTION	ITEM NO.	PART NO.	DESCRIPTION
1	<u>Vapor</u>		16	309-50510	1" x 74-11/16" Long Pipe
	1-132494	Flange (All Models Except With MaxVac)	17	310-50510	1" x 4" Long Pipe
	1-231836	Cap (MaxVac Only)	18	52-50560	1/2" x 1-1/8" Long Pipe Nipple
2	<u>Vapor</u>		19	29-51370	1" x 1/2" x 1" Reducing Tee
	1-132494	Flange (Two Sided Pump)	20	10-51491	#14 x 1/2" Long P.K. Self Tapping Screw
	1-231836	Cap (one Sided Pump & MaxVac)	21	06-51700	90° Banded Elbow
3	65-230486	Vapor Tube (H426A) (Not Used With MaxVac)	22	06-51710	1" x 90° Street Elbow
4	66-230486	Vapor Tube (H413A & H426A Side "A") (Not Used With MaxVac)	23	04-51720	1/2" Banded Tee
5	1-231170	3/8" x 1/2" Compression Fitting	24	05-51780	1" Female Union
	04-51900	1/2" Pipe Plug	25	02-54752	5/16-18 M-F Flange Whiz Lock Nut
6	2-231170	1/2" x 1/2" Compression Fitting	26	05-55132	1/4-20 x 5/8" Long M-F Flange Whiz-Lock Screw
7	20-313235	Gasket	Reference: Raceway Assembly		
8	1-319053	Pipe Clamp	319828	30"	
9	1-319054	Pipe Support	421591	45"	
10	1-319344	Vent Tube	421874	60"	
11	319345-1	Vent Tube Assembly			
12	319348-1	Discharge Assembly			
13	1-319405	Offset Tee			
14	33-50361	5/16-18 x 3/4" Long Hex Head Cap Screw			
15	307-50510	1" x 83-1/2" Long Pipe			

1-72297

CHECK VALVE ASSEMBLY



1-72298

30" CHECK VALVE ASSEMBLY

ITEM NO.	PART NO.	DESCRIPTION
1	1-120731	Check Valve Cap
2	1-120733	Poppet Spring
3	1-230993	90° Inverted Flare Connector (30" Only)
4	1-230993	90° Inverted Flare Connector
5	1-230994	Straight Inverted Flare Connector (45" Only)
	05-51901	3/4" Pipe Plug (30" Only)
6	1-230994	Inverted Flare Connector
7	232244-1	Poppet Disc Assembly
8	232244-1	Poppet Disc Assembly (45" Only)
9	232245-1	Valve Assembly
10	6-313235	Gasket
11	1-319400	Check Valve Manifold Bracket
12	1-421055	Check Valve Body
13	<u>Check Valve Assembly</u>	
	421071-1	45"
	421071-2	30"
14	05-51710	3/4" x 90° Street Elbow (30" Only)
	1-230994	Straight Inverted Flare Connector (45" Only)
15	39-52198	5/16-18 x 1" Long Carriage Bolt
16	35-55132	5/16-18 x 5/8" Long M-F Flange Whiz-Lock Screw
17	02-54752	5/16-18 M-F Flange Whiz-Lock Nut

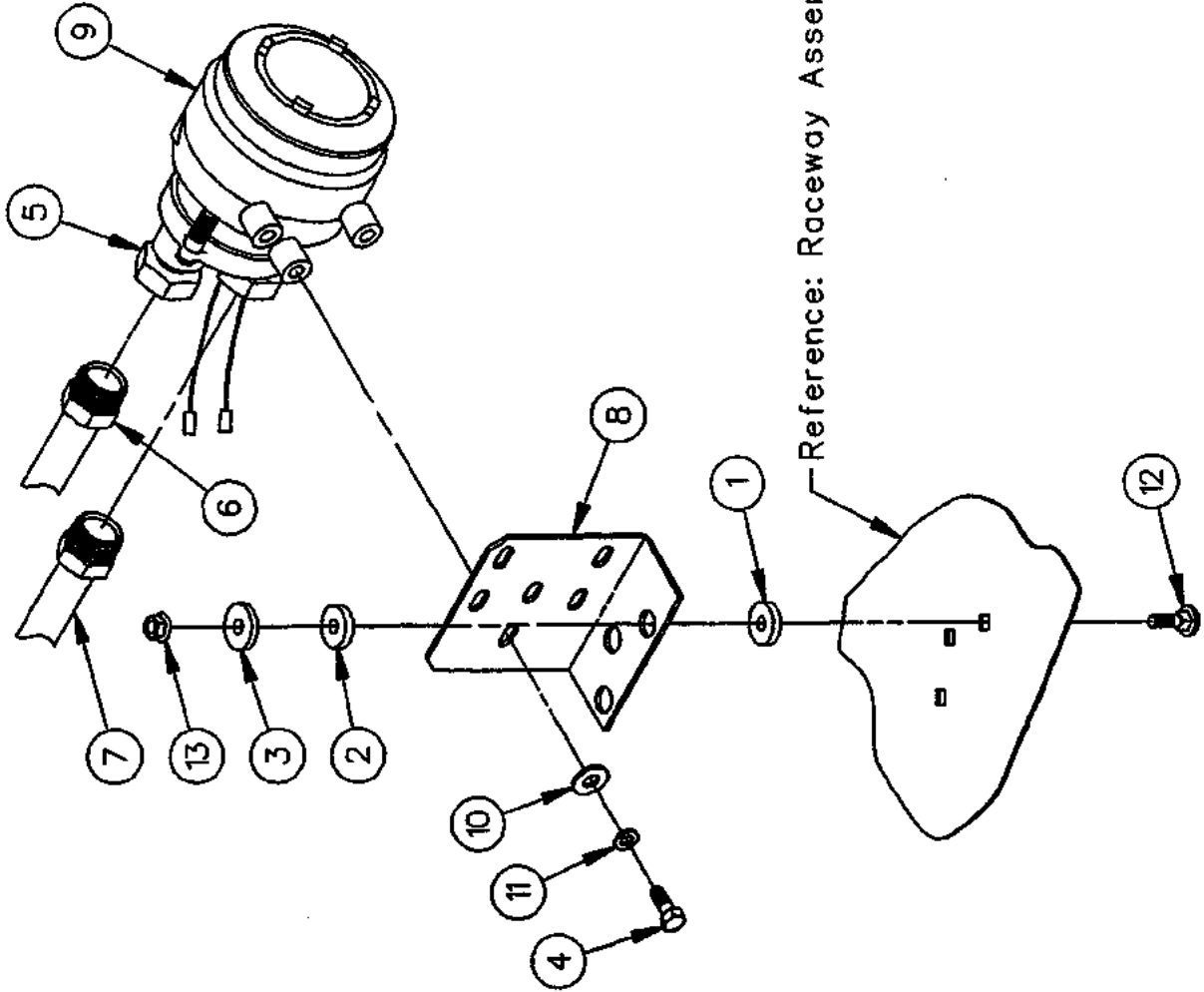
Reference: Raceway Assembly

319828 30"

421591 45"

1-72298

MaxVac DISCHARGE SYSTEM



1-72299

MaxVac DISCHARGE SYSTEM

ITEM NO.	PART NO.	DESCRIPTION
1	1-114468	Grommet Cushion
2	1-114469	Cushion Washer
3	1-114470	Cushion Retainer
4	1-132767	M8 x 20MM Long Hex Head Machine Screw
5	2-230994	Connector Inverted Flare
6	<u>Vapor Inlet Tube Assembly</u>	
	319590-1	H413A-R & H426A-R
	319623-1	H311A-R, H312A-R, H311/22A-RB3/5, H322A-R (Side "B"), H324A-R
	319780-1	H311A-R & H322A-R (Side "A")
	319968-1	H614A-R/REB & H628A-R/REB
	421234-1	H411A-R & H422A-R
7	<u>Vapor Outlet Tube Assembly</u>	
	232319-1	H311A-R, H312A-R, H311A-RB3/5, H322A-R, H324A-R (Side "B"), H322A-RB3/5 (Side "B")
	319653-1	H411A-R & H422A-R (Side "A")
	319655-1	H426A-R (Side "B") & H628A-R/REB (Side "B")
	319660-1	H422A-R (Side "B")
	319756-1	H322A-R, H324A-R (Side "A"), H322A-RB3/5 (Side "B")
	421442-1	H413A-R, H426A-R (Side "A")
	421864-1	H614A-R/REB & H628A-R/REB (Side "A")
8	1-319643	Pump Bracket
9	<u>Pump Assembly</u>	
	421473-1	Nuovo Pignone
	2-421736	Thomas
	1-232793	Filter Screen (used on both)
10	03-50611	5/16" Plate Washer
11	14-50641	5/16" Lockwasher
12	39-52198	5/16-18 x 1" Long Carriage Bolt
13	02-54752	5/16-18 M-F Flange Whiz-Lock Nut

Reference: Raceway Assembly

319828 30"

421591 45"

421874 60"

10

11

12