

Section Nine

Dispenser Payment Terminal

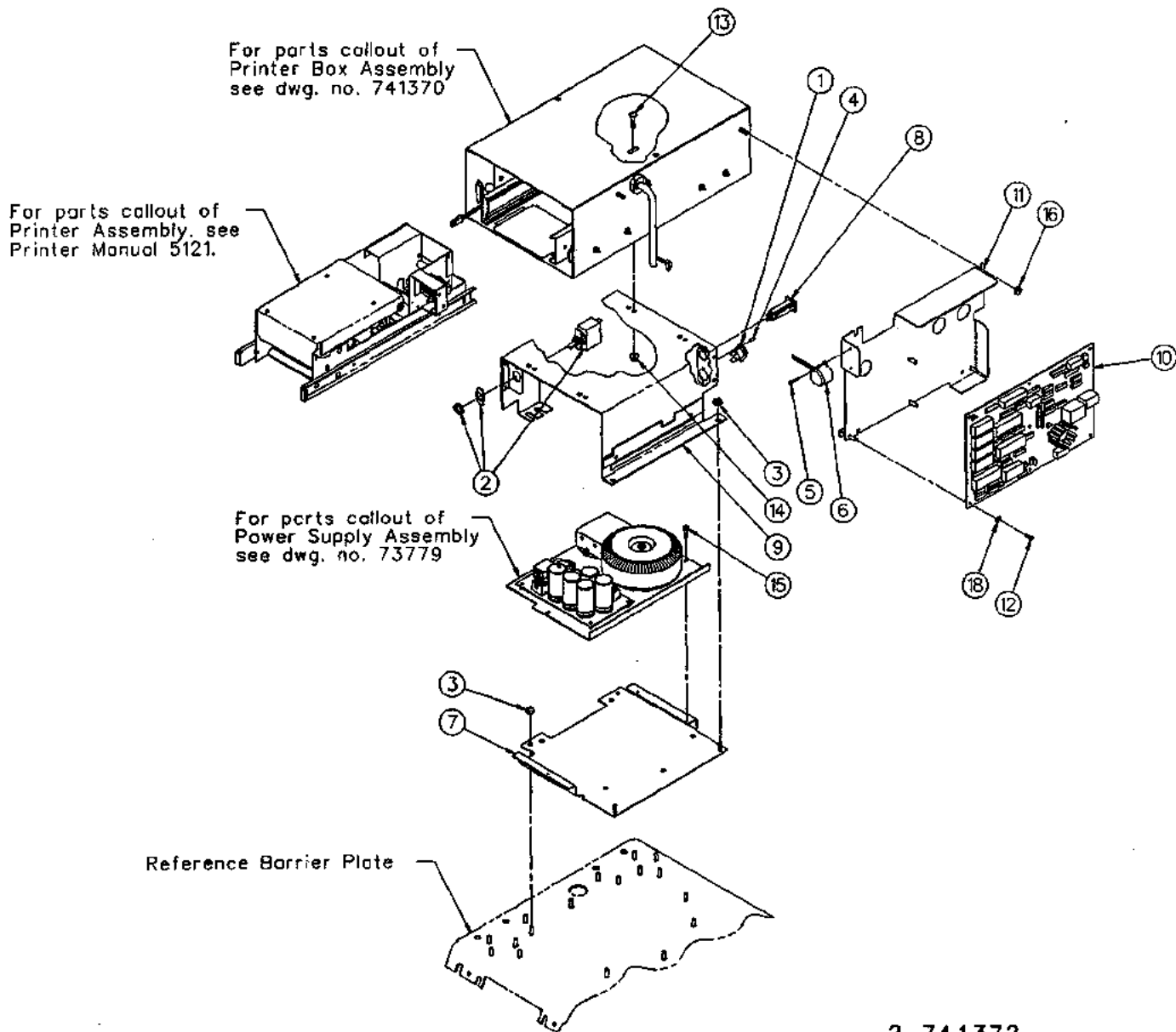
| | Page Number |
|--|----------------|
| <i>Dispenser Payment Terminal Assembly</i> Model 426A-T & 628A-T..... | 9-2, 9-3 |
| <i>Printer Box Assembly</i> Model 426A-T & 628A-T..... | 9-4, 9-5 |
| <i>Printer Assembly</i> Model 426A-T & 628A-T..... | 9-6, 9-7 |
| <i>Power Supply Assembly</i> Model 426A-T & 628A-T..... | 9-9 |
| <i>DPT Wiring Schematic</i> Model 426A-T & 628A-T..... | 9-10, 9-11 |

T
C
S

D
I
S
P
E
N
S
E
R

DISPENSER PAYMENT TERMINAL ASSEMBLY

MODEL 426A-T & 628A-T



2-741372

2-741372

1 of 1

DISPENSER PAYMENT TERMINAL ASSEMBLY FOR TCS 45" & 60"

| ITEM NO. | PART NO. | DESCRIPTION |
|----------|----------------------------------|--|
| 1 | 3-130217 | Thermostat (DPT Power) |
| 2 | 1-226442 | Circuit Breaker (Side "A" only) |
| 3 | 2-228671 | #10-24 Capped Washer Lock Nut |
| 4 | 1-229652 | Plastic Rivet (Side "A" only) |
| 5 | 20-55392 | #4 x 3/8" Long Hex Washer Head Tapping Screw |
| 6 | 230744-1 | Transducer Assembly (Annunciator) |
| 7 | <u>Adapter Weld Assembly</u> | |
| | 318813-1 | Left (Side "A" only) |
| | 318823-1 | Right (Side "B" only) |
| 8 | 1-318922 | Circuit Breaker |
| 9 | 420226-1 | Support Weld Assembly |
| 10 | 420292-2 | Computer Board Assembly |
| 11 | <u>PCB Bracket Weld Assembly</u> | |
| | 420344-1 | 45" |
| | 420344-2 | 60" |
| 12 | 88-50001 | #6-32 x 1/4" Long Round Head Machine Screw |
| 13 | 250-50031 | #10-24 x 7/16" Long Truss Head Machine Screw |

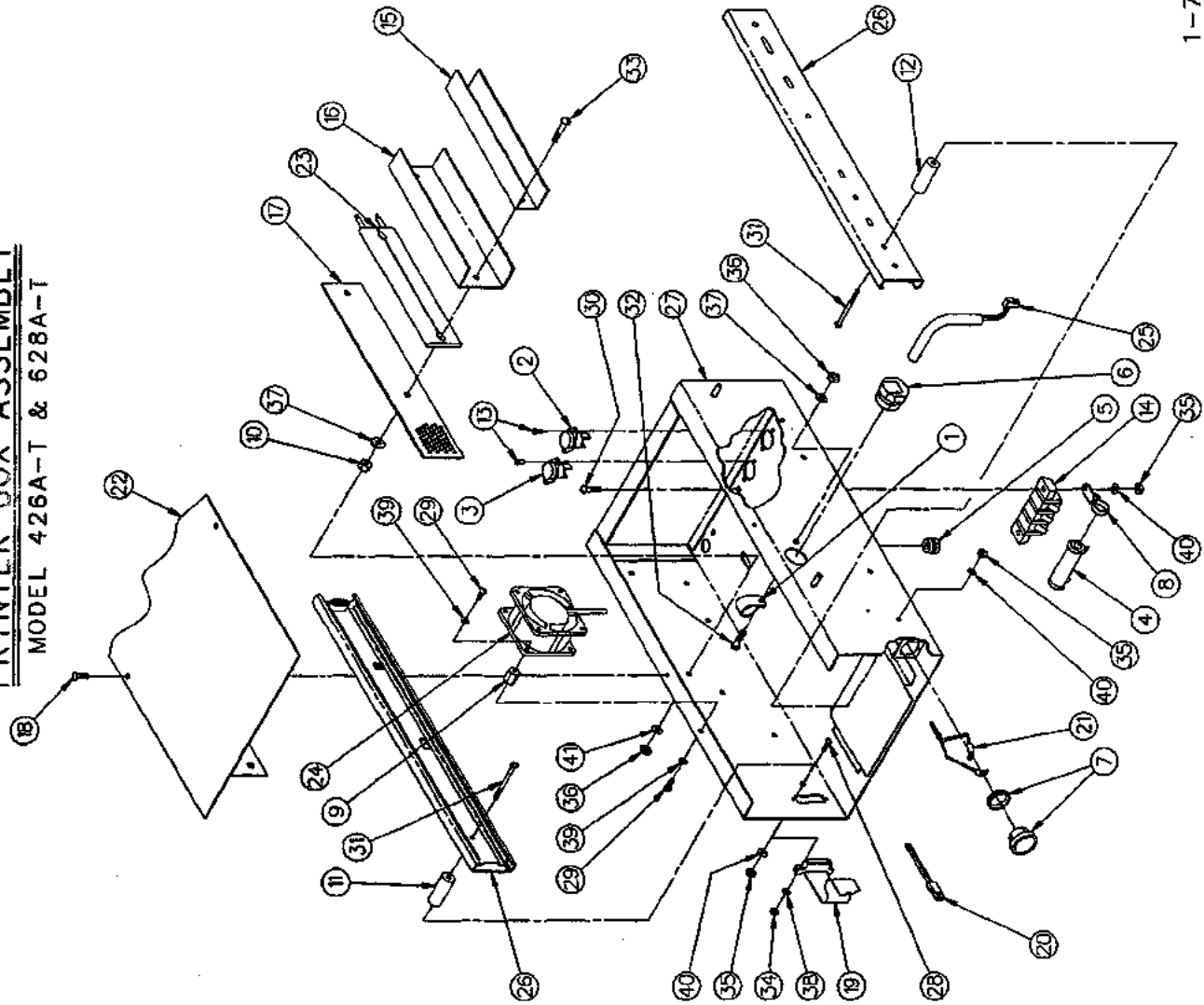
| ITEM NO. | PART NO. | DESCRIPTION |
|----------|----------|--|
| 14 | 05-50211 | #10-24 Hex Nut |
| 15 | 23-55392 | #8 x 3/8" Long Hex Washer Head Tapping Screw |
| 16 | 03-54752 | #10-24 M-F Flange Whiz-Lock Nut |
| 17 | 1-230492 | Paper Roll (Not Shown) |
| 18 | 3-50761 | #6 Shake-proof Lockwasher |

For complete Dispenser Payment Terminal order:

| | |
|----------|----------------------------|
| 420448-1 | 426A-T & 426A-R-T Side "A" |
| 420448-2 | 426A-T & 426A-R-T Side "B" |
| 420448-3 | 628A-T & 628A-R-T Side "A" |
| 420448-4 | 628A-T & 628A-R-T Side "B" |
| 420448-5 | 426AR-ST Side "A" |

2-741372

PRINTER BOX ASSEMBLY
MODEL 426A-T & 628A-T



1-741370

1-741370

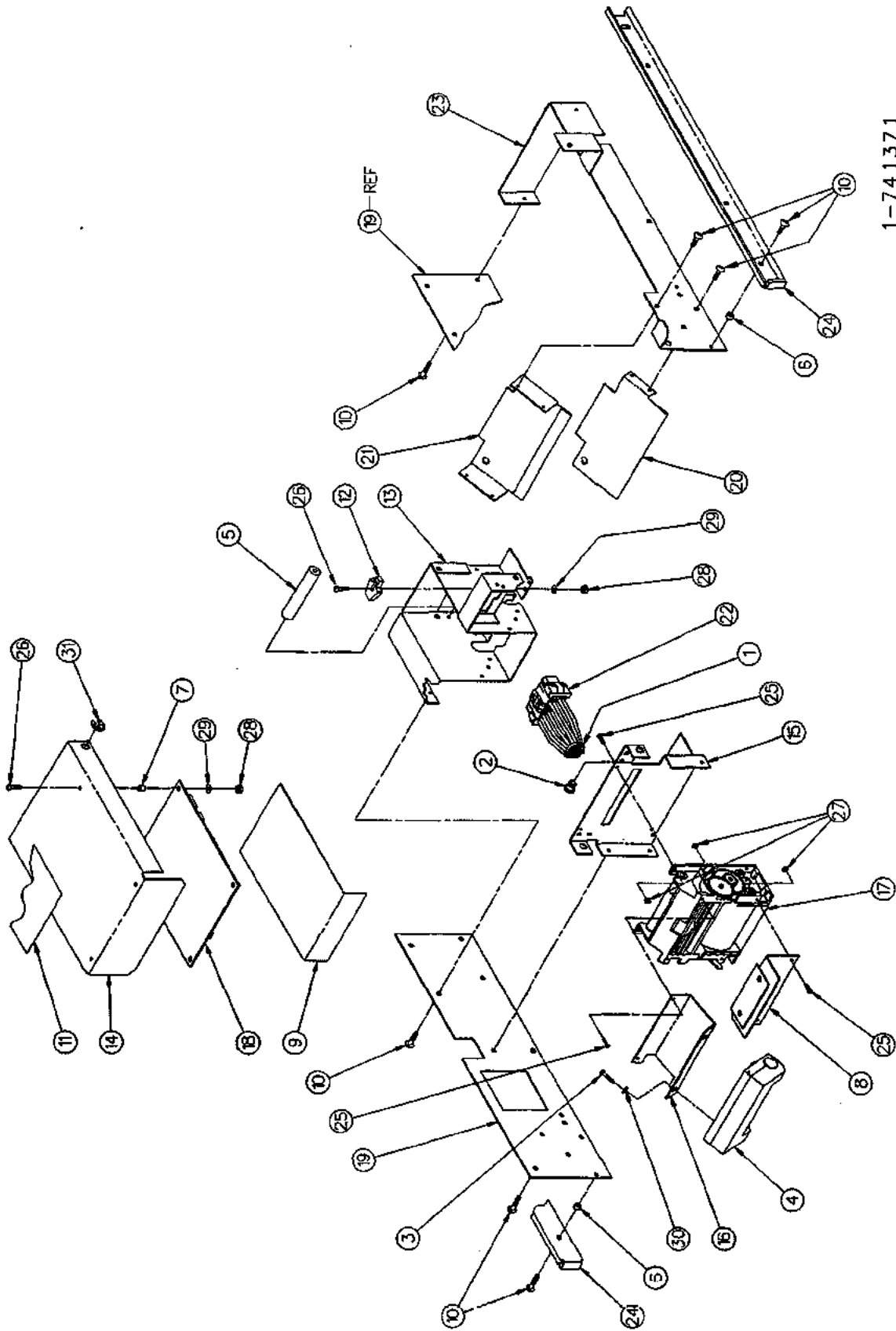
1 of 1

PRINTER BOX ASSEMBLY FOR TCS DPT

| ITEM NO. | PART NO. | DESCRIPTION | ITEM NO. | PART NO. | DESCRIPTION |
|----------|-----------|--|---|-----------------|--|
| 1 | 2-127291 | Cable Clamp | 26 | 3-420234 | Slide |
| 2 | 1-130217 | Thermostat (Runaway) | 27 | 420250-3 | Printer Box Weld Assembly |
| 3 | 7-130217 | Thermostat (Heater) | 28 | 34-50001 | #4-40 x 1/2" Long Round Head Machine Screw |
| 4 | 15-220944 | Resister | 29 | 90-50001 | #6-32 x 5/16" Long Round Head Machine Screw |
| 5 | 5-226395 | Strainer Relief Bushing | 30 | 182-50001 | #8-32 x 1" Long Round Head Machine Screw |
| 6 | 9-226395 | Strainer Relief Bushing | 31 | 190-50001 | #8-32 x 1-3/4" Long Round Head Machine Screw |
| 7 | 3-227937 | Sealed Touch Switch (MH426AR-ST only) | 32 | 291-50001 | #10-32 x 1/2" Long Round Head Machine Screw |
| 8 | 1-228918 | Cable Clamp | 33 | 299-50001 | #10-32 x 1" Long Round Head Machine Screw |
| 9 | 2-229276 | 3/8" Hex x 1/2" Long Standoff | 34 | 02-50211 | #4-40 Hex Nut |
| 10 | 3-229276 | 3/8" Hex x 1/4" Long Standoff | 35 | 04-50211 | #8-32 Hex Nut |
| 11 | 3-229606 | 1/2" Dia x 1.28" Long Spacer | PRINTER BOX ASSEMBLY FOR TCS DPT | | |
| 12 | 4-229606 | 1/2" Dia x 1.34" Long Spacer | 36 | 13-50211 | #10-32 Hex Nut |
| 13 | 1-229652 | Plastic Rivet | 37 | 05-50621 | #10 Plain Washer |
| 14 | 2-230368 | Terminal Block | 38 | 01-50761 | #4 Shakeproof Lockwasher |
| 15 | 1-230480 | Heat Sink | 39 | 03-50761 | #6 Shakeproof Lockwasher |
| 16 | 2-230480 | Heat Sink | 40 | 22-50761 | #8 Shakeproof Lockwasher |
| 17 | 1-230610 | Heater Plate | 41 | 05-50761 | #10 Shakeproof Lockwasher |
| 18 | 1-230689 | #6 x 3/8" Long Phillips Head Self-Tapping Screw | For complete Printer Box Assembly order: | | |
| 19 | 1-230740 | Display Interconnect Wire Harness Assembly | 420250-1 | 426A-T & 628A-T | |
| 20 | 230755-1 | Display Backlight Interconnect Wire Harness Assembly | 420250-2 | MH426AR-ST | |
| 21 | 230806-1 | Switch Harness Assembly (MH426AR-ST only) | | | |
| 22 | 318839-1 | Box Cover Weld Assembly | | | |
| 23 | 318878-1 | Heater Assembly | | | |
| 24 | 318880-1 | Fan Assembly | | | |
| 25 | 318894-1 | External Wire Harness Assembly | | | |

1-741370

PRINTER ASSEMBLY
MODEL 426A-T & 628A-T



1-741371

1-741371

1 of 1

PRINTER ASSEMBLY FOR TCS DPT

| ITEM NO. | PART NO. | DESCRIPTION | ITEM NO. | PART NO. | DESCRIPTION |
|----------|----------|---|----------|----------|---|
| 1 | 1-128725 | Cable Tie | 24 | 2-420234 | Inner Slide |
| 2 | 2-130330 | Pivot Pin | 25 | 09-50001 | #2-56 X 3/8 Large Round Head Machine Screw |
| 3 | 5-227633 | M3 X 5mm Phillips Pan Head Machine Screw | 26 | 32-50001 | #4-40 X 7/16 Large Round Head Machine Screw |
| 4 | 229407-2 | Paper Cutter Assembly | 27 | 01-50211 | #2-56 Hex Nut |
| 5 | 2-229606 | 7/16 Diameter X 2.26 Large Spacer | 28 | 02-50211 | #4-40 Hex Nut |
| 6 | 5-229606 | 1/4 Diameter X 1/8 Large Spacer | 29 | 01-50761 | #4 Shakeproof Lockwasher |
| 7 | 6-229606 | 3/16 Diameter X 3/16 Large Spacer | 30 | 03-50761 | #6 Shakeproof Lockwasher |
| 8 | 230482-1 | Paper Guide Weld Assembly | 31 | 06-52482 | Retaining Ring |
| 9 | 1-230491 | Interface Board Cover | | | |
| 10 | 1-230689 | #6 X 3/8 Large Phillips Head Self-Tapping Screw | | | |
| 11 | 1-230733 | Label | | | |
| 12 | 230745-1 | Paper Sensor Assembly | | | |
| 13 | 318819-1 | Paper Bracket Weld Assembly | | | |
| 14 | 1-318824 | Printer Cover | | | |
| 15 | 1-318825 | Printer Bracket | | | |
| 16 | 1-318826 | Cutter Bracket | | | |
| 17 | 1-318832 | Ticket Printer | | | |
| 18 | 2-318832 | Interface Circuit Board Assembly | | | |
| 19 | 1-318833 | Printer Side Plate | | | |
| 20 | 1-318834 | Lower Receipt Chute | | | |
| 21 | 1-318835 | Upper Receipt Chute | | | |
| 22 | 318893-1 | Internal Wire Harness Assembly | | | |
| 23 | 1-420219 | Printer Side Frame | | | |

NOTE:

- Order 420240-1 for complete Printer Assembly

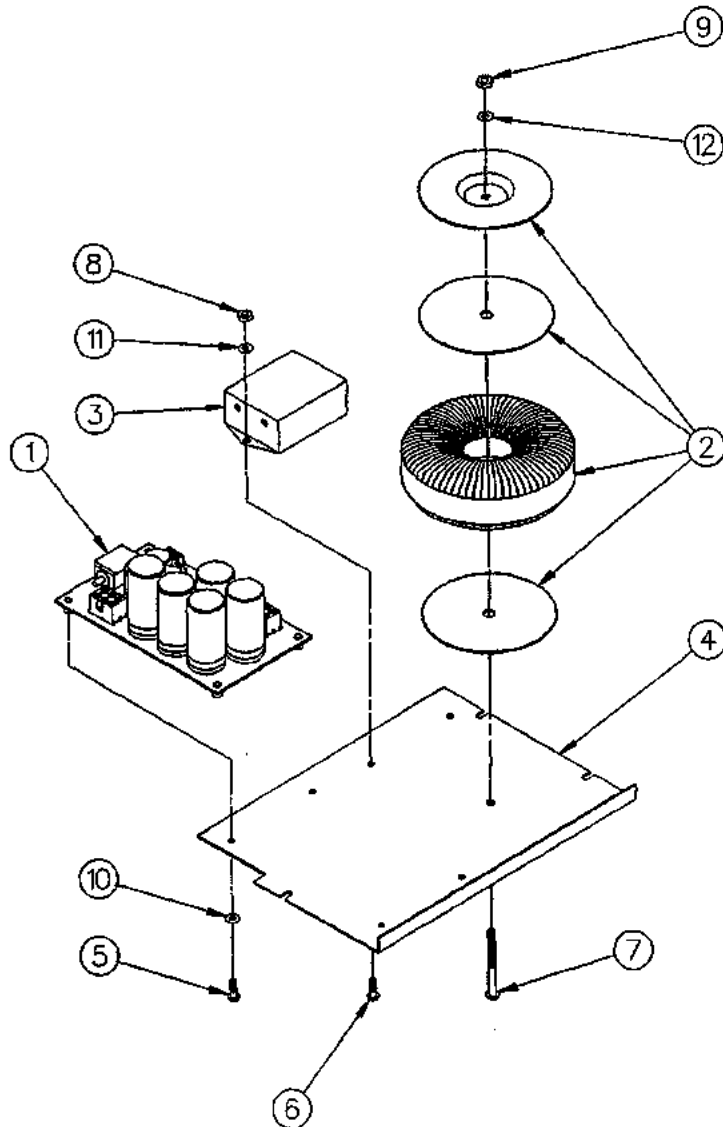
1-741371



Notes

POWER SUPPLY ASSEMBLY

MODEL 426A-T & 628A-T



| ITEM NO. | PART NO. | DESCRIPTION |
|----------|-----------|----------------------------|
| 1 | 318939-1 | POWER SUPPLY BOARD ASSY. |
| 2 | 318942-1 | TRANSFORMER ASSEMBLY |
| 3 | 318943-1 | FILTER ASSEMBLY |
| 4 | 1-420391 | POWER SUPPLY BRACKET |
| 5 | 90-50001 | #6-32 X 5/16 LG RHMS |
| 6 | 166-50001 | #8-32 X 1/4 LG RHMS |
| 7 | 270-50001 | #10-24 X 2" LG RHMS |
| 8 | 04-50211 | #8-32 HEX NUT |
| 9 | 05-50211 | #10-24 HEX NUT |
| 10 | 03-50761 | #6 SHAKE-PROOF LOCKWASHER |
| 11 | 04-50761 | #8 SHAKE-PROOF LOCKWASHER |
| 12 | 05-50761 | #10 SHAKE-PROOF LOCKWASHER |

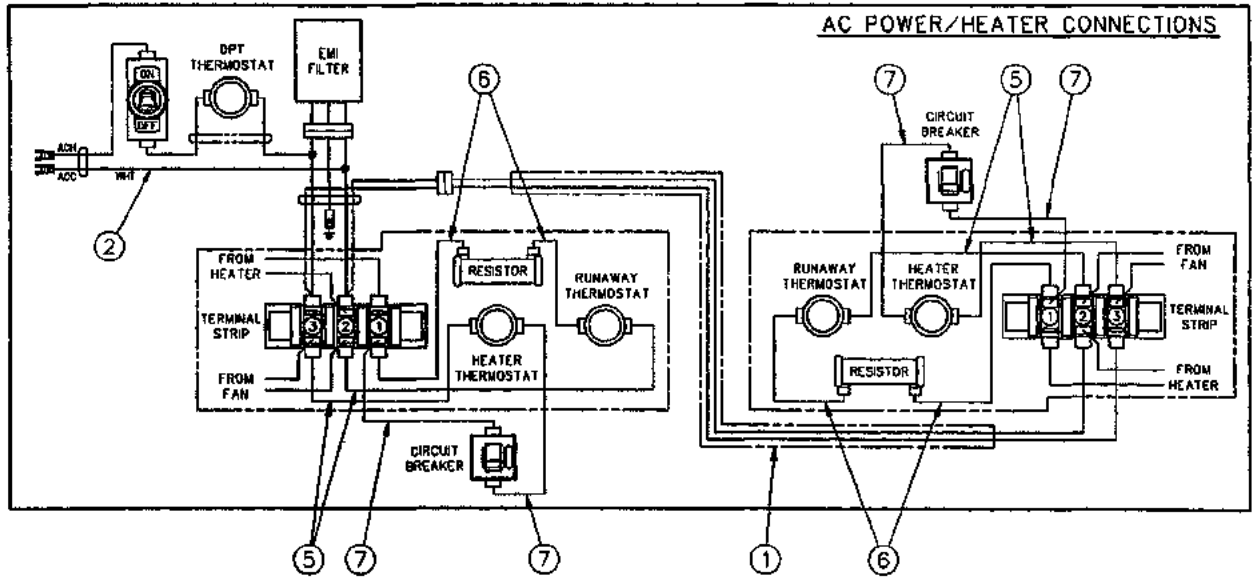
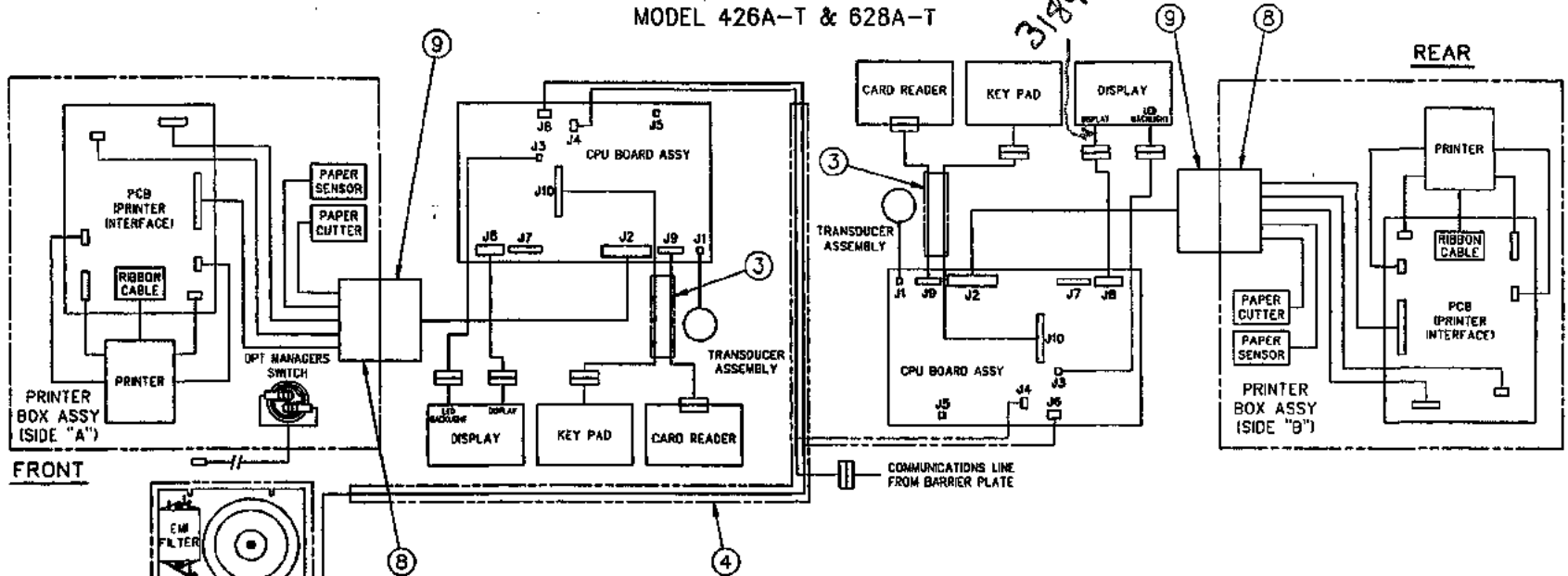
ORDER 318941-1 FOR COMPLETE POWER SUPPLY ASSEMBLY

NOTE:

RHMS = RD. HD. MACH. SCREW

DPT WIRING SCHEMATIC MODEL 426A-T & 628A-T

318926-1



2-741373

1 of 1

DPT WIRING SCHEMATIC

MODEL 426A-T & 628A-T

TCS/TCSA Dispenser Parts Manual
Form 4576A Version 1.0
Tukwila Corporation February 1996

| ITEM NO. | PART NO. | DESCRIPTION |
|----------|---|--|
| 1 | Heater Wiring Harness Assembly 230653-1 45" 230653-2 60" | |
| 2 | 318892-1 | AC Power/Heater Wire Harness Assembly |
| 3 | 318903-1 | Card Reader/Keypad Wire Harness Assembly |
| 4 | Power/Communication Wiring Harness Assembly 318908-3 45" 318908-4 60" | |
| 5 | 420165-11 | Lead Assembly |
| 6 | 420165-12 | Lead Assembly |
| 7 | 420165-13 | Lead Assembly |
| 8 | 318893-1 | Internal Printer Harness Assembly |
| 9 | 318894-1 | External Printer Harness Assembly |

*231180-1 KIT
Display Cable*

2-741373



134