

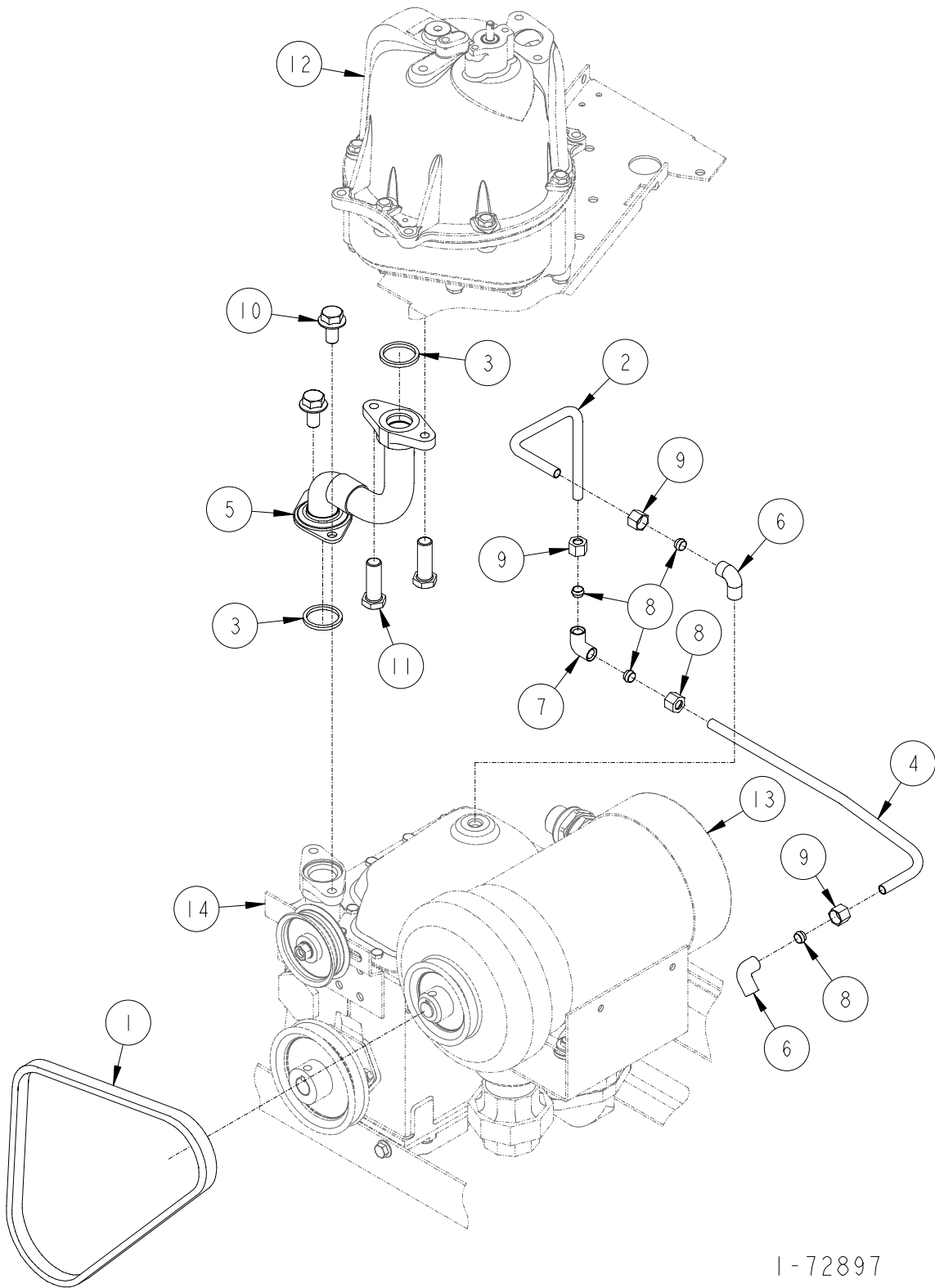
SECTION

Suction Systems

9

	Page Number
<u>Suction System</u>	
H311C, H311D & H311C-SB3/5	9-2, 9-3
H312C, H312D	9-4, 9-5
H322C, H322D & H322C-SB3/5	9-6, 9-7
H324C, H324D	9-8, 9-9
H413C, H413D	9-10, 9-11
H424C-SB3/4	9-12, 9-13
H424C-SB3/4 (Canada)	9-14, 9-15
H426C, H426D	9-16, 9-17
H428C-SEB	9-18, 9-19
<u>Motor Assembly</u>	
30" Series	9-20, 9-21
45" Series	9-22, 9-23
Rotary Pump Assembly	9-24, 9-25
Rotary Pump Mounting Assembly	9-26, 9-27
Rotary Pump & Air Separator	9-28 — 9-30

SUCTION SYSTEM
H311C, H311D & 311C-SB3/5



1-72897

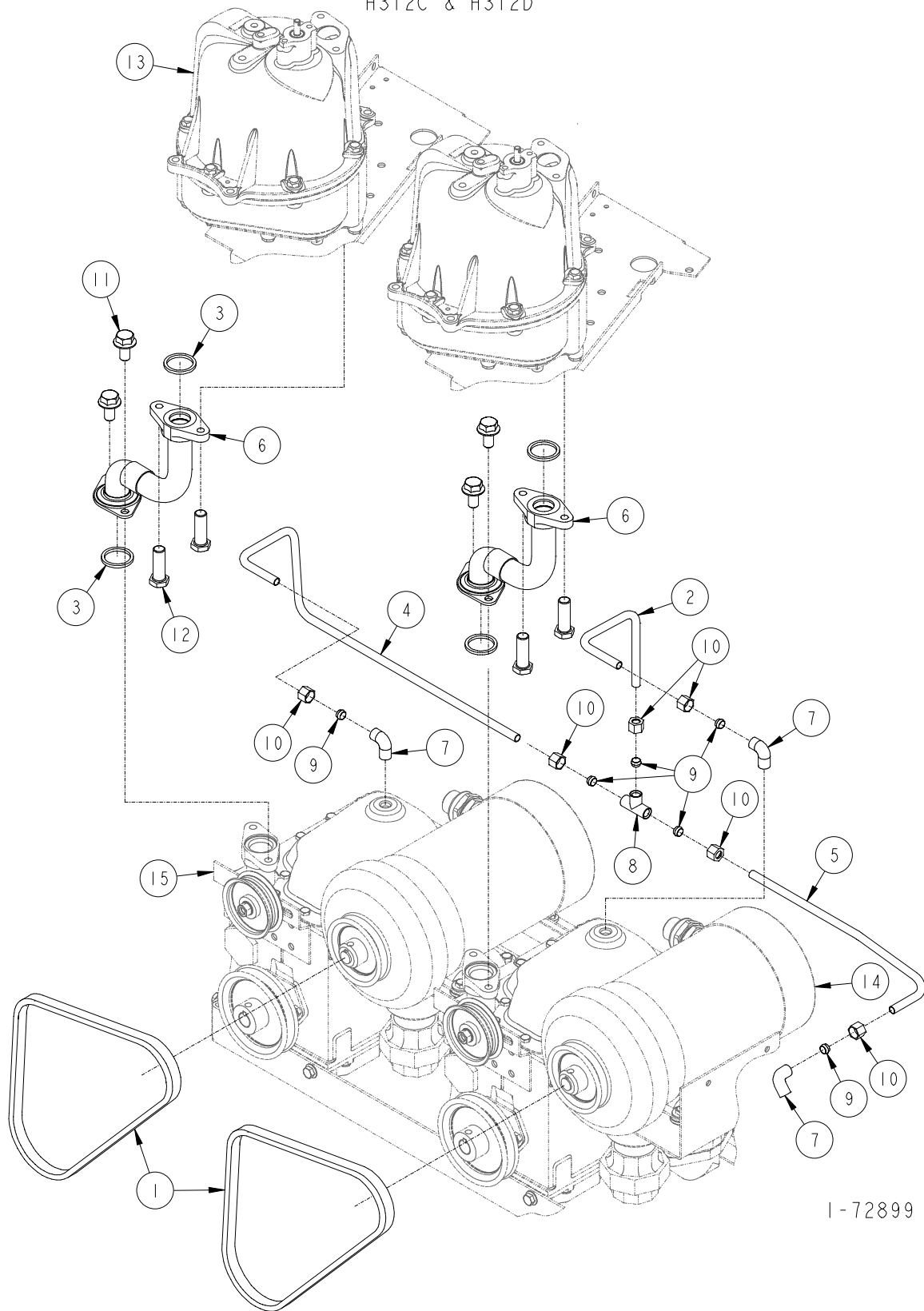
SUCTION SYSTEM

H311C, H311D & H311C-SB3/5

ITEM NO.	PART NO.	DESCRIPTION
1	<u>V-Belt</u>	
	2-37852	60hz
	3-37852	50hz
2	1-233736	Vapor Vent Tube
3	13-313235	Gasket
4	<u>Vapor Vent Tube</u>	
	1-321298	Non Vapor
	1-233739	Interim Vapor or Full Vapor
5	<u>Inlet Manifold</u>	
	1-422930	All models except Canada
	1-422931	Canada only
6	05-52020	Compression Elbow
7	14-52020	Compression Elbow
8	05-52040	Compression Sleeve
9	14-52040	Compression Nut
10	35-55132	5/16-18 x 5/8" Long MF-Flange Whiz Lock Screw
11	38-55132	5/16-18 x 1" Long MF-Flange Whiz Lock Screw
12	<u>For parts call out of Meter & Hydraulics Assembly see.</u>	
	72726	H311C & H311D
	72728	H311C-SB3/5
13	<u>For parts call out of Motor Assembly see 72894.</u>	
14	<u>For parts call out of Rotary Pump Assembly see 72896.</u>	
	<u>Reference for Tokheim internal use only:</u>	
	321204	Chassis Assembly

1-72897

SUCTION SYSTEM
H312C & H312D



1-72899

SUCTION SYSTEM

H312C & H312D

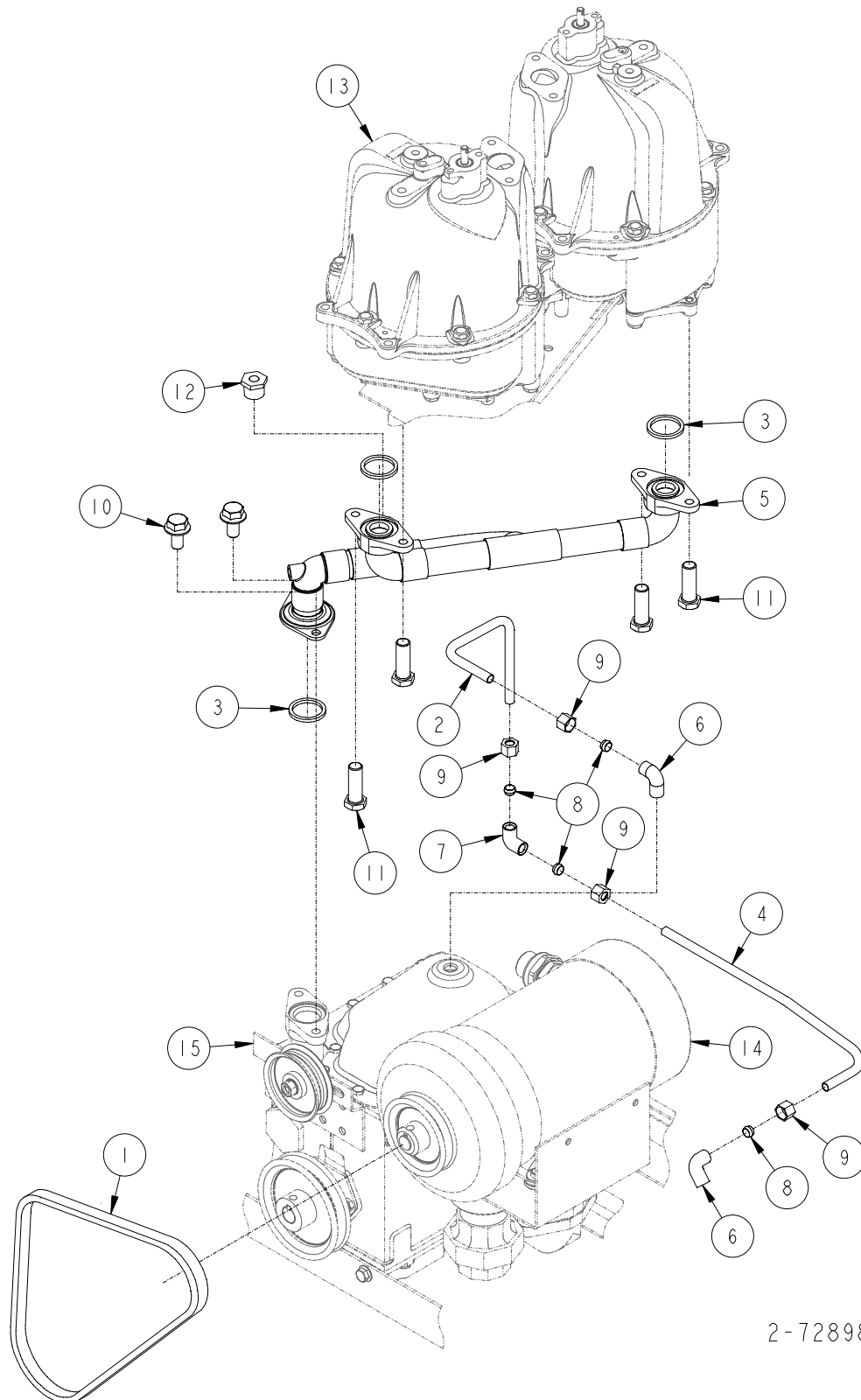
ITEM NO.	PART NO.	DESCRIPTION
1	<u>V-Belt</u>	
	2-37852	60hz
	3-37852	50hz
2	1-233736	Vapor Vent Tube
3	13-313235	Gasket
4	1-321291	Vapor Vent Tube
5	<u>Vapor Vent Tube</u>	
	1-321298	Non Vapor
	1-233739	Interim Vapor or Full Vapor
6	1-422930	Inlet Manifold
7	05-52020	Compression Elbow
8	05-52030	Compression Tee
9	05-52040	Compression Sleeve
10	14-52040	Compression Nut
11	35-55132	5/16-18 x 5/8" Long MF-Flange Whiz Lock Screw
12	38-55132	5/16-18 x 1" Long MF-Flange Whiz Lock Screw
13	<u>For parts call out of Meter & Hydraulics Assembly see 72726.</u>	
14	<u>For parts call out of Motor Assembly see 72894.</u>	
15	<u>For parts call out of Rotary Pump Assembly see 72896.</u>	

Reference for Tokheim internal use only:

321204 Chassis Assembly

1-72899

SUCTION SYSTEM
H322C, H322D & H322C-SB3/5



2-72898

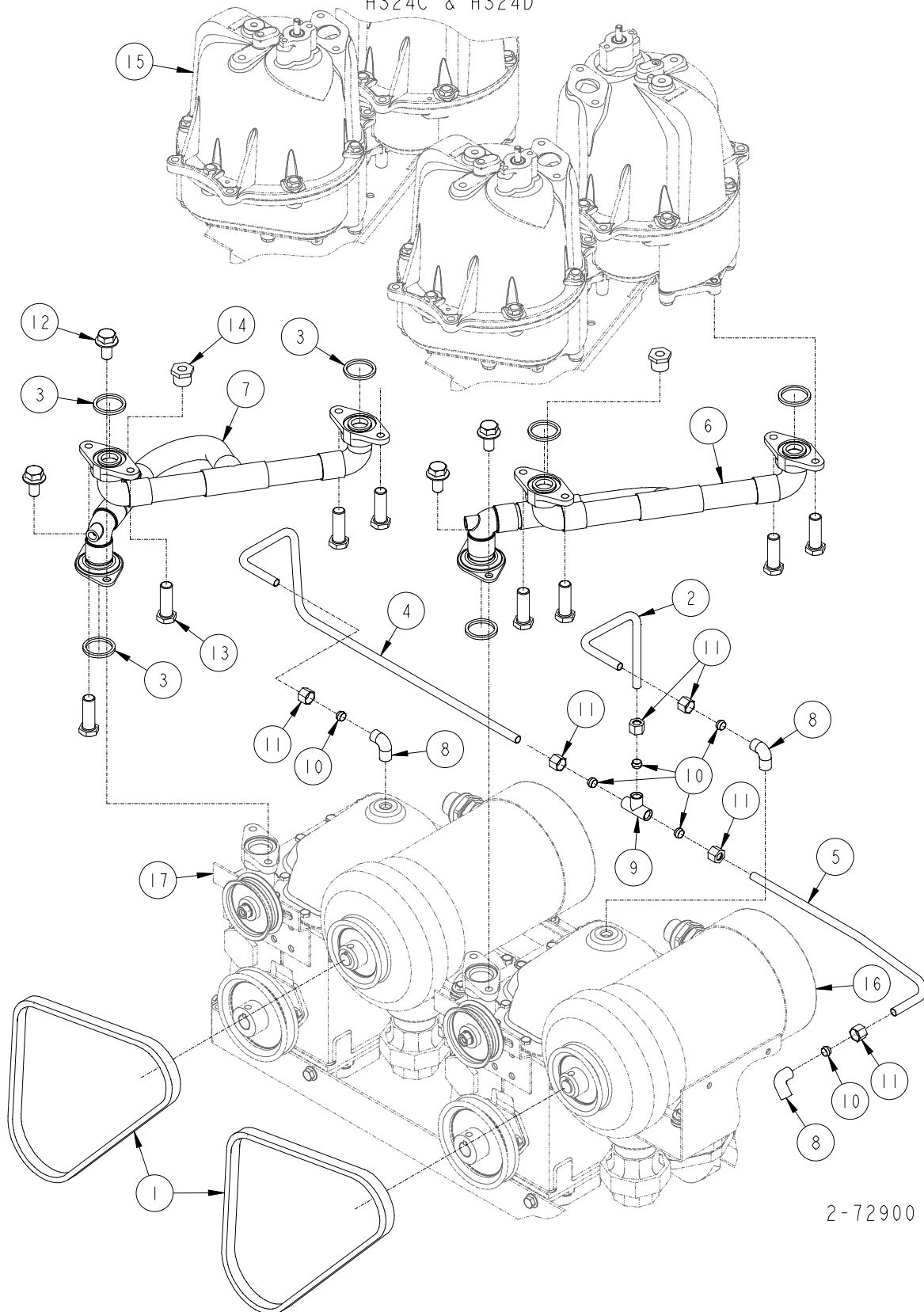
SUCTION SYSTEM

H322C, H322D & H322C-SB3/5

ITEM NO.	PART NO.	DESCRIPTION
1	<u>V-Belt</u>	
	2-37852	60hz
	3-37852	50hz
2	1-233736	Vapor Vent Tube
3	13-313235	Gasket
4	<u>Vapor Vent Tube</u>	
	1-321298	Non Vapor
	1-233739	Interim Vapor or Full Vapor
5	<u>Inlet Manifold</u>	
	1-422915	All models except Canada
	1-422916	Canada only
6	05-52020	Compression Elbow
7	14-52020	Compression Elbow
8	05-52040	Compression Sleeve
9	14-52040	Compression Nut
10	35-55132	5/16-18 x 5/8" Long MF-Flange Whiz Lock Screw
11	38-55132	5/16-18 x 1" Long MF-Flange Whiz Lock Screw
12	06-51850	1/2" x 1/8" Hex Bushing (Canada only)
13	<u>For parts call out of Meter & Hydraulics Assembly see.</u>	
	72726	H322C & H322D
	72728	H322C-SB3/5
14	<u>For parts call out of Motor Assembly see 72894.</u>	
15	<u>For parts call out of Rotary Pump Assembly see 72896.</u>	
	<u>Reference for Tokheim internal use only:</u>	
	321204	Chassis Assembly

2-72898

SUCTION SYSTEM
H324C & H324D



2-72900

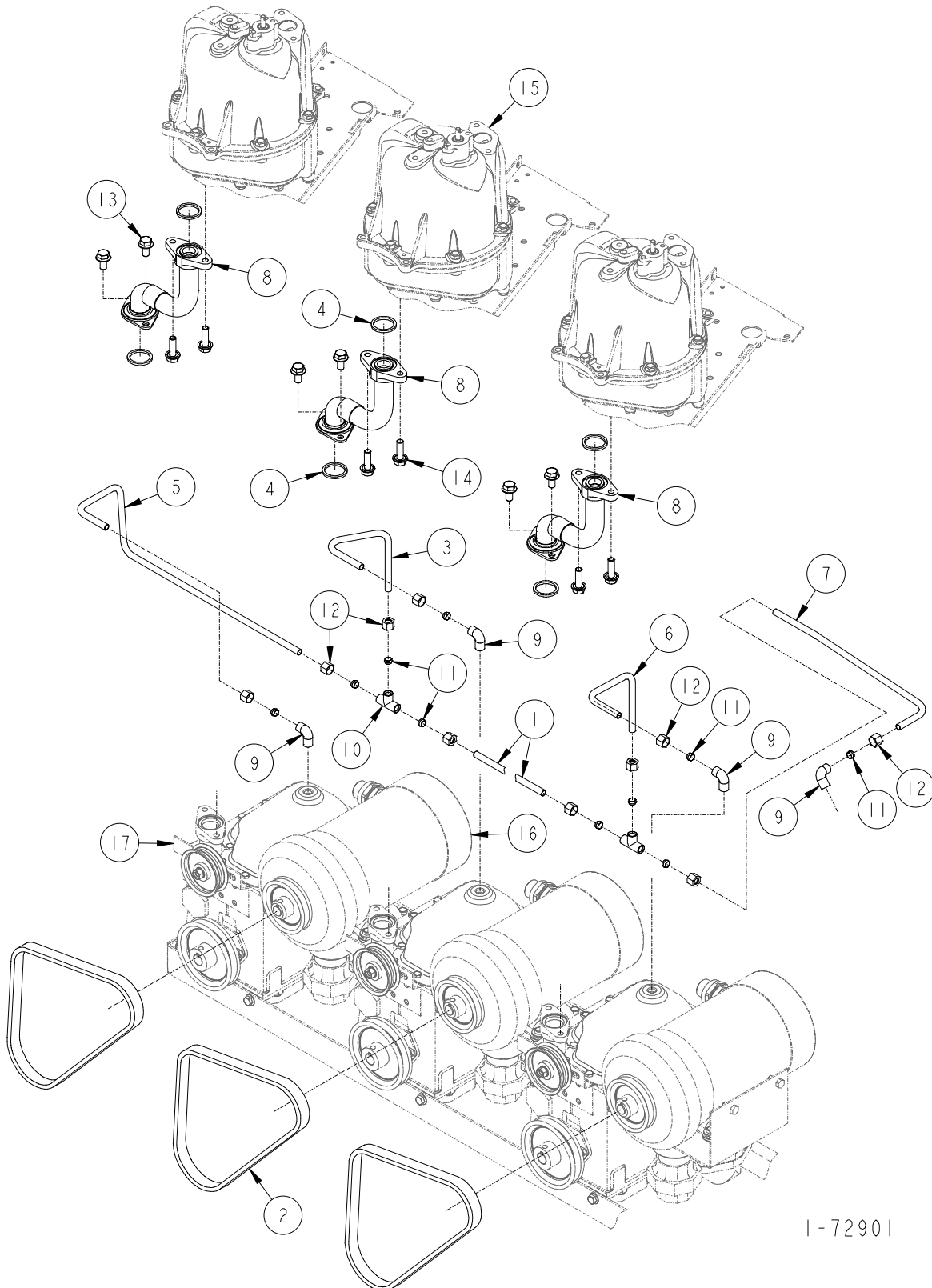
SUCTION SYSTEM

H324C & H324D

ITEM NO.	PART NO.	DESCRIPTION
1	<u>V-Belt</u>	
	2-37852	60hz
	3-37852	50hz
2	1-233736	Vapor Vent Tube
3	13-313235	Gasket
4	1-321291	Vapor Vent Tube
5	<u>Vapor Vent Tube</u>	
	1-321298	Non Vapor
	1-233739	Interim Vapor or Full Vapor
6	<u>Inlet Manifold</u>	
	1-422915	All models except Canada
	1-422916	Canada only
7	<u>Inlet Manifold</u>	
	1-422932	All models except Canada
	1-422934	Canada only
8	05-52020	Compression Elbow
9	05-52030	Compression Tee
10	05-52040	Compression Sleeve
11	14-52040	Compression Nut
12	35-55132	5/16-18 x 5/8" Long MF-Flange Whiz Lock Screw
13	38-55132	5/16-18 x 1" Long MF-Flange Whiz Lock Screw
14	06-51850	1/2" x 1/8" Hex Bushing (Canada only)
15	<u>For parts call out of Meter & Hydraulics Assembly see 72726.</u>	
16	<u>For parts call out of Motor Assembly see 72894.</u>	
17	<u>For parts call out of Rotary Pump Assembly see 72896.</u>	
	<u>Reference for Tokheim internal use only:</u>	
	321204	Chassis Assembly

2-72900

SUCTION SYSTEM
H413C-S & H413D-S



1-72901

SUCTION SYSTEM

H413C & H413D

ITEM NO.	PART NO.	DESCRIPTION
1	13-225758	Vapor Vent Tube
2	<u>V-Belt</u>	
	2-37852	60hz
	3-37852	50hz
3	1-233736	Vapor Vent Tube
4	13-313235	Gasket
5	1-321291	Vapor Vent Tube
6	1-321345	Vapor Vent Tube
7	<u>Vapor Vent Tube</u>	
	1-321344	Non Vapor
	1-321346	Interim Vapor or Full Vapor
8	1-422930	Inlet Manifold
9	05-52020	Compression Elbow
10	05-52030	Compression Tee
11	05-52040	Compression Sleeve
12	14-52040	Compression Nut
13	35-55132	5/16-18 x 5/8" Long MF-Flange Whiz Lock Screw
14	38-55132	5/16-18 x 1" Long MF-Flange Whiz Lock Screw
15	<u>For parts call out of Meter & Hydraulics Assembly see 72726.</u>	
16	<u>For parts call out of Motor Assembly see 72895.</u>	
17	<u>For parts call out of Rotary Pump Assembly see 72896.</u>	

Reference for Tokheim internal use only:

321153 Chassis Assembly

1-72901

SUCTION SYSTEM

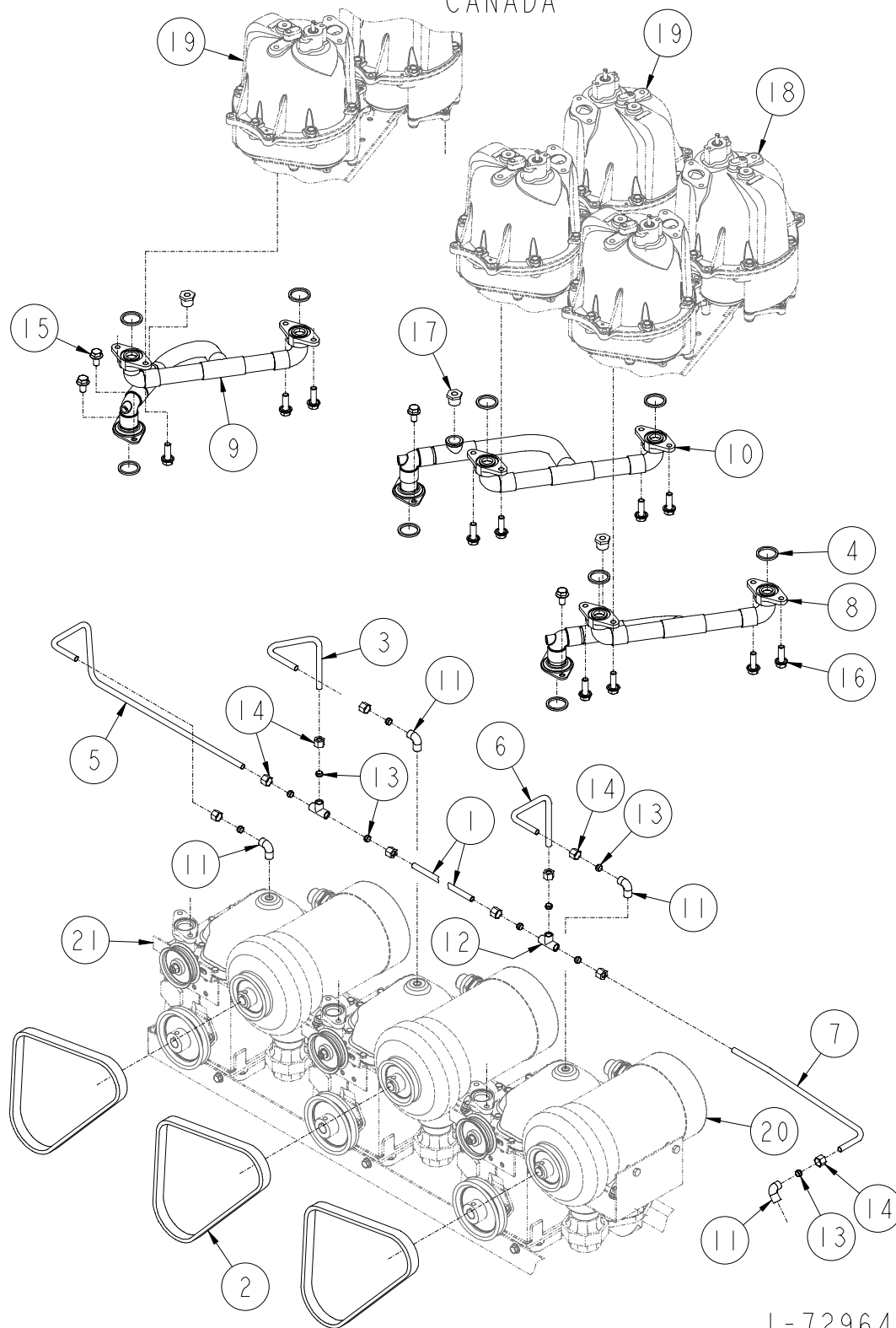
H424C-SB3/4

ITEM NO.	PART NO.	DESCRIPTION	ITEM NO.	PART NO.	DESCRIPTION
1	1-120731	Check Valve Cap	24	05-52040	Compression Sleeve
2	1-120733	Check Valve Spring	25	14-52040	Compression Nut
3	13-225758	Vapor Vent Tube	26	35-55132	5/16-18 x 5/8" Long MF Flange Whiz Lock Screw
4	229228-6	Check Valve Assembly	27	38-55132	5/16-18 x 1" Long MF Flange Whiz Lock Screw
5	<u>V-Belt</u>		28	<u>For parts call out of Meter & Hydraulics Assembly see 72726.</u>	
	2-37852	60hz	29	<u>For parts call out of Meter & Hydraulics Assembly see 72728.</u>	
	3-37852	50hz	30	<u>For parts call out of Motor Assembly see 72895.</u>	
6	1-233736	Vapor Vent Tube	31	<u>For parts call out of Rotary Pump Assembly see 72896.</u>	
7	6-313235	Check Valve Cap Gasket		<u>Reference for Tokheim internal use only:</u>	
8	13-313235	Gasket	321153	Chassis Assembly	
9	1-321291	Vapor Vent Tube			<i>1-72903</i>
10	1-321345	Vapor Vent Tube			
11	1-321382	Pressure Relief Valve Assembly (not used in Canada)			
12	1-330014	Check Valve Bracket			
13	1-330015	Check Valve Bracket			
14	1-330016	Inlet Tube			
15	1-330017	Inlet Tube			
16					
17	<u>Vapor Vent Tube</u>				
	1-321344	Non Vapor			
	1-321346	Interim Vapor or Full Vapor			
18	3-418686	Check Valve Body			
19	1-422886	Inlet Manifold			
20	1-422903	Inlet Manifold			
21	1-422915	Inlet Manifold			
22	05-52020	Compression Elbow			
23	05-52030	Compression Tee			

SUCTION SYSTEM

H424C-SB3/4

CANADA



1-72964

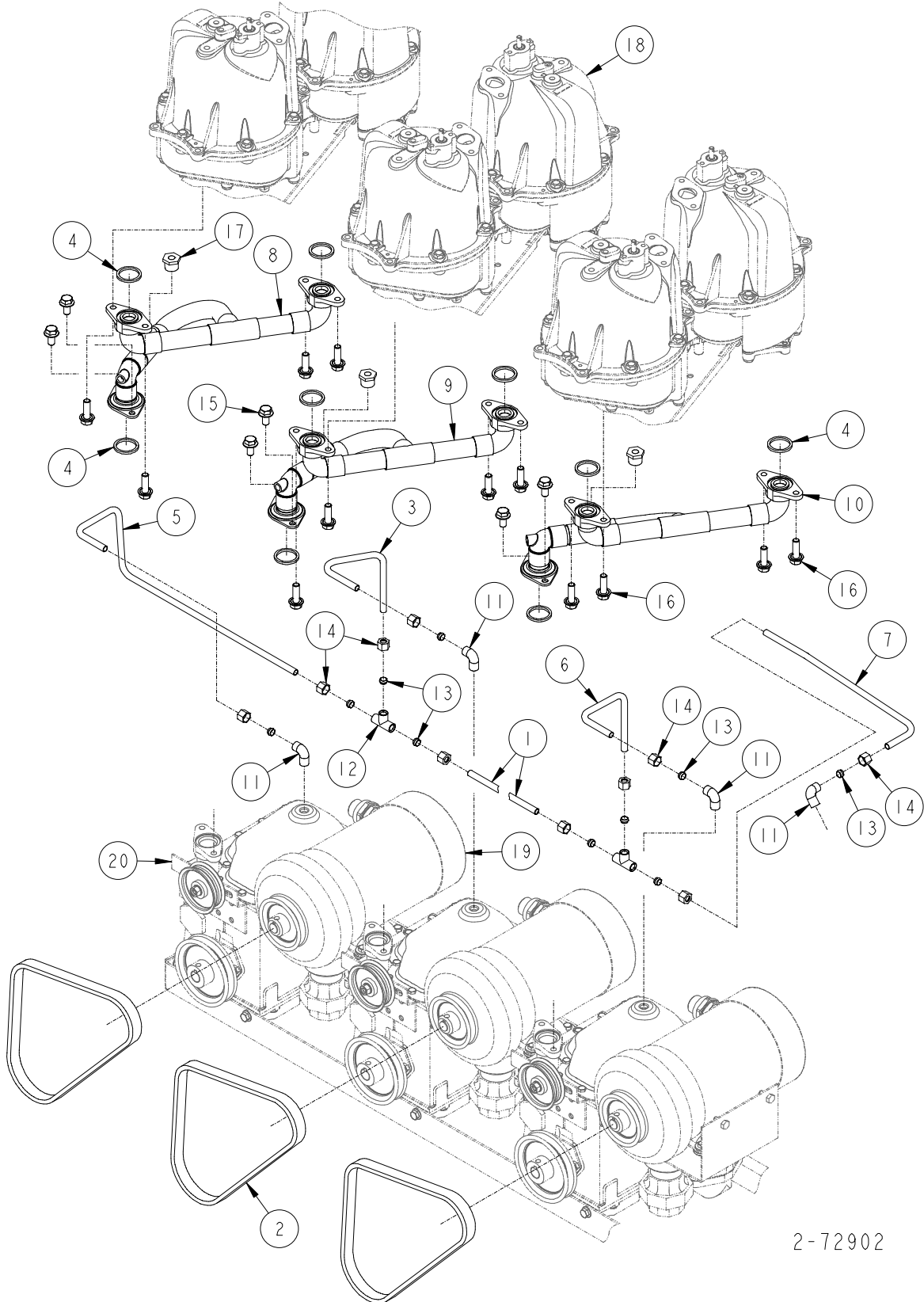
SUCTION SYSTEM
H424C-SB3/4
CANADA

ITEM NO.	PART NO.	DESCRIPTION
1	13-225758	Vapor Vent Tube
2	<u>V-Belt</u>	
	2-37852	60hz
	3-37852	50hz
3	1-233736	Vapor Vent Tube
4	13-313235	Gasket
5	1-321291	Vapor Vent Tube
6	1-321345	Vapor Vent Tube
7	<u>Vapor Vent Tube</u>	
	1-321344	Non Vapor
	1-321346	Interim Vapor or Full Vapor
8	1-422916	Inlet Manifold
9	1-422918	Inlet Manifold
10	1-423004	Inlet Manifold
11	05-52020	Compression Elbow
12	05-52030	Compression Tee
13	05-52040	Compression Sleeve
14	14-52040	Compression Nut
15	35-55132	5/16-18 x 5/8" Long MF Flange Whiz Lock Screw
16	38-55132	5/16-18 x 1" Long MF Flange Whiz Lock Screw
17	06-51850	1/2" x 1/8" Hex Bushing (Canada only)
18	<u>For parts call out of Meter & Hydraulics Assembly see 72726.</u>	
19	<u>For parts call out of Meter & Hydraulics Assembly see 72728.</u>	
20	<u>For parts call out of Motor Assembly see 72895.</u>	
21	<u>For parts call out of Rotary Pump Assembly see 72896.</u>	

Reference for Tokheim internal use only:

321153 Chassis Assembly

SUCTION SYSTEM
H426C-S & H426D-S



2-72902

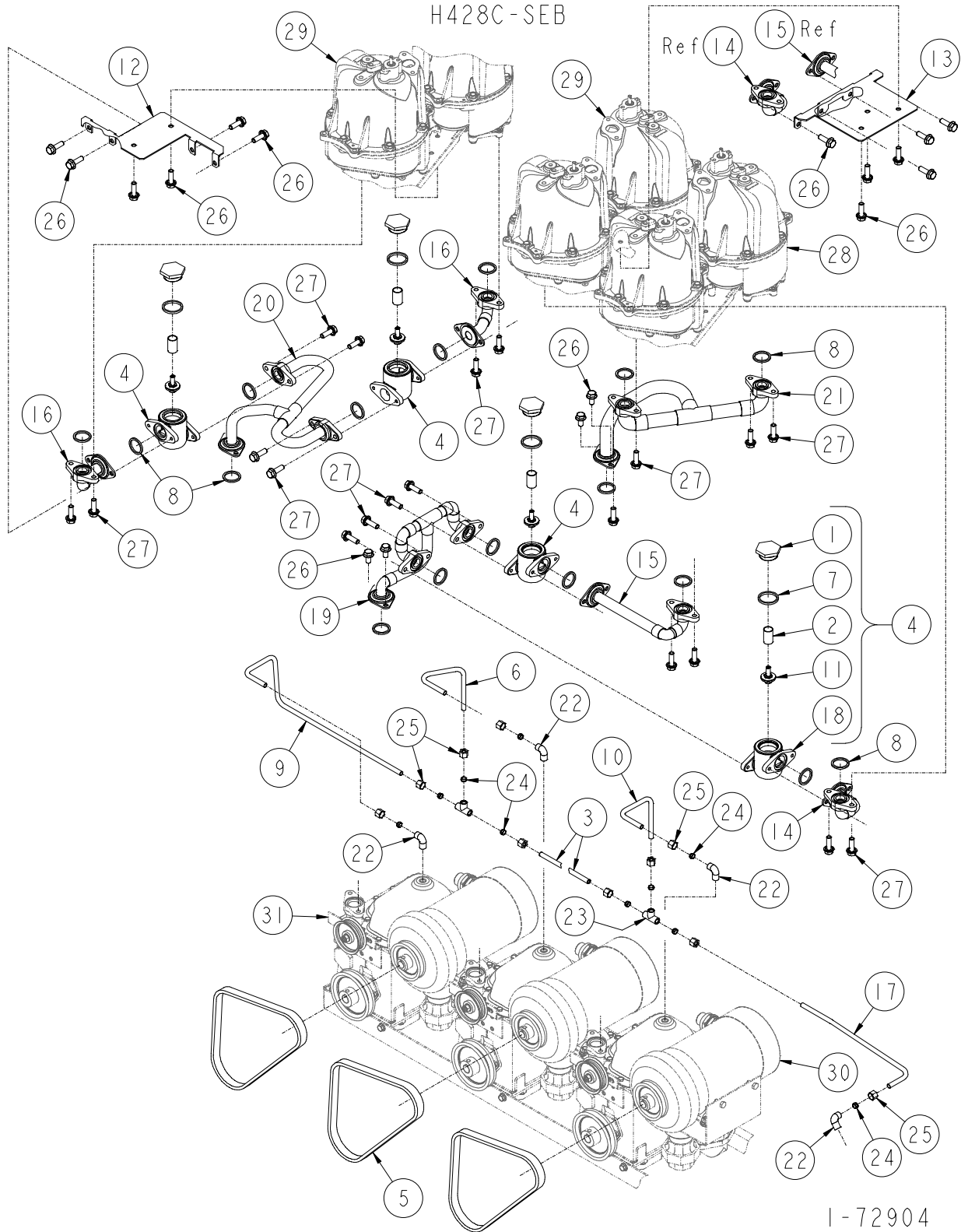
SUCTION SYSTEM

H426C & H426D

ITEM NO.	PART NO.	DESCRIPTION	ITEM NO.	PART NO.	DESCRIPTION
1	13-225758	Vapor Vent Tube	14	14-52040	Compression Nut
2	<u>V-Belt</u>		15	35-55132	5/16-18 x 5/8" Long MF-Flange Whiz Lock Screw
	2-37852	60hz	16	38-55132	5/16-18 x 1" Long MF-Flange Whiz Lock Screw
	3-37852	50hz	17	06-51850	1/2" x 1/8" Hex Bushing (Canada only)
3	1-233736	Vapor Vent Tube	18	<u>For parts call out of Meter & Hydraulics Assembly see 72726.</u>	
4	13-313235	Gasket	19	<u>For parts call out of Motor Assembly see 72895.</u>	
5	1-321291	Vapor Vent Tube	20	<u>For parts call out of Rotary Pump Assembly see 72896.</u>	
6	1-321345	Vapor Vent Tube		<u>Reference for Tokheim internal use only:</u>	
7	<u>Vapor Vent Tube</u>			321153	Chassis Assembly
	1-321344	Non Vapor			2-72902
	1-321346	Interim Vapor or Full Vapor			
8	<u>Inlet Manifold</u>				
	1-422913	All models except Canada			
	1-422918	Canada only			
9	<u>Inlet Manifold</u>				
	1-422914	All models except Canada			
	1-422917	Canada only			
10	<u>Inlet Manifold</u>				
	1-422915	All models except Canada			
	1-422916	Canada only			
11	05-52020	Compression Elbow			
12	05-52030	Compression Tee			
13	05-52040	Compression Sleeve			

SUCTION SYSTEM

H428C-SEB



SUCTION SYSTEM

H428C-SEB

ITEM NO.	PART NO.	DESCRIPTION	ITEM NO.	PART NO.	DESCRIPTION
1	1-120731	Check Valve Cap	24	05-52040	Compression Sleeve
2	1-120733	Check Valve Spring	25	14-52040	Compression Nut
3	13-225758	Vapor Vent Tube	26	35-55132	5/16-18 x 5/8" Long MF Flange Whiz Lock Screw
4	229228-6	Check Valve Assembly	27	38-55132	5/16-18 x 1" Long MF Flange Whiz Lock Screw
5	<u>V-Belt</u>		28	<u>For parts call out of Meter & Hydraulics Assembly see 72726.</u>	
	2-37852	60hz	29	<u>For parts call out of Meter & Hydraulics Assembly see 72730.</u>	
	3-37852	50hz	30	<u>For parts call out of Motor Assembly see 72895.</u>	
6	1-233736	Vapor Vent Tube	31	<u>For parts call out of Rotary Pump Assembly see 72896.</u>	
7	6-313235	Check Valve Cap Gasket		<u>Reference for Tokheim internal use only:</u>	
8	13-313235	Gasket	321153	Chassis Assembly	
9	1-321291	Vapor Vent Tube			<i>1-72904</i>
10	1-321345	Vapor Vent Tube			
11	1-321382	Pressure Relief Valve Assembly (not used in Canada)			
12	1-330014	Check Valve Bracket			
13	1-330015	Check Valve Bracket			
14	1-330016	Inlet Tube			
15	1-330017	Inlet Tube			
16					
17	<u>Vapor Vent Tube</u>				
	1-321344	Non Vapor			
	1-321346	Interim Vapor or Full Vapor			
18	3-418686	Check Valve Body			
19	1-422886	Inlet Manifold			
20	1-422903	Inlet Manifold			
21	1-422915	Inlet Manifold			
22	05-52020	Compression Elbow			
23	05-52030	Compression Tee			

30" MOTOR ASSEMBLY

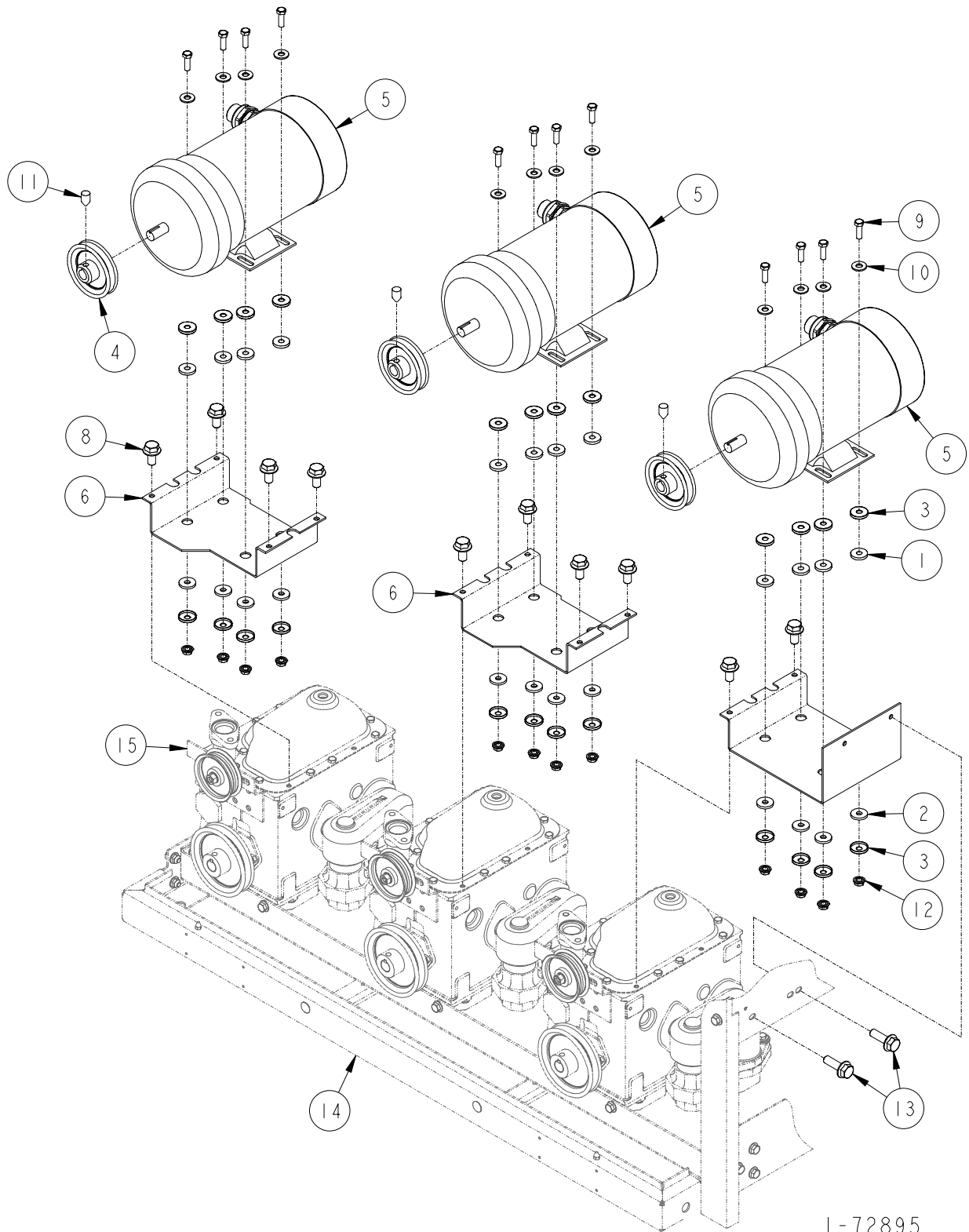
ITEM NO.	PART NO.	DESCRIPTION
1	1-114468	Cushion Grommet
2	1-114469	Cushion Washer
3	1-114470	Cushion Retainer
4	<u>Motor Pulley</u>	
	1-119529	115/220/230 Volt
	1-220878	380 Volt
5	<u>Motor Assembly (Franklin Electric</u>	
	321301-1	380 Volt 60/50 Cycle Three Phase
	321301-2	220 Volt 60/50 Cycle Three Phase
	321301-3	115 Volt 60/50 Cycle Single Phase
	321301-4	230 Volt 60/50 Cycle Single Phase
	321301-5	115 Volt 60/50 Cycle Single Phase (Fungus Proof)
	321301-6	230 Volt 60/50 Cycle Single Phase (Fungus Proof)
6	1-422904	Motor Support Plate
7	1-422905	Motor Support Plate
8	01-50360	1/4-20 x 1/2" Long Hex Head Cap Screw
9	35-50361	5/16-18 x 1" Long Hex Head Cap Screw
10	03-50611	5/16" Plate Washer
11	65-50721	5/16-18 x 1/4" Long Hex Socket Head Cup Point Set Screw
12	02-54752	5/16-18 M-F Flange Whiz Lock Nut
13	20-51491	5/16 x 3/4" Long Hex Head Self Tapping Screw
14	<u>For parts call out of Chassis Assembly see 72779.</u>	
15	<u>For parts call out of Motor Assembly see 72895.</u>	
16	<u>For parts call out of Rotary Pump Assembly see 72896.</u>	

Reference for Tokheim internal use only:

321204 Chassis Assembly

1-72894

45" MOTOR ASSEMBLY



1-72895

45" MOTOR ASSEMBLY

ITEM NO.	PART NO.	DESCRIPTION
1	1-114468	Cushion Grommet
2	1-114469	Cushion Washer
3	1-114470	Cushion Retainer
4	<u>Motor Pulley</u>	
	1-119529	115/220/230 Volt
	1-220878	380 Volt
5	<u>Motor Assembly</u>	
	321301-1	380 Volt 60/50 Cycle Three Phase
	321301-2	220 Volt 60/50 Cycle Three Phase
	321301-3	115 Volt 60/50 Cycle Single Phase
	321301-4	230 Volt 60/50 Cycle Single Phase
	321301-5	115 Volt 60/50 Cycle Single Phase (Fungus Proof)
	321301-6	230 Volt 60/50 Cycle Single Phase (Fungus Proof)
6	1-422904	Motor Support Plate
7	1-422905	Motor Support Plate
8	01-50360	1/4-20 x 1/2" Long Hex Head Cap Screw
9	35-50361	5/16-18 x 1" Long Hex Head Cap Screw
10	03-50611	5/16" Plate Washer
11	65-50721	5/16-18 x 1/4" Long Hex Socket Head Cup Point Set Screw
12	02-54752	5/16-18 M-F Flange Whiz Lock Nut
13	20-51491	5/16 x 3/4" Long Hex Head Self Tapping Screw
14	For parts call out of Chassis Assembly see 72724.	
15	<u>For parts call out of Rotary Pump Assembly see 72896.</u>	

Reference for Tokheim internal use only:

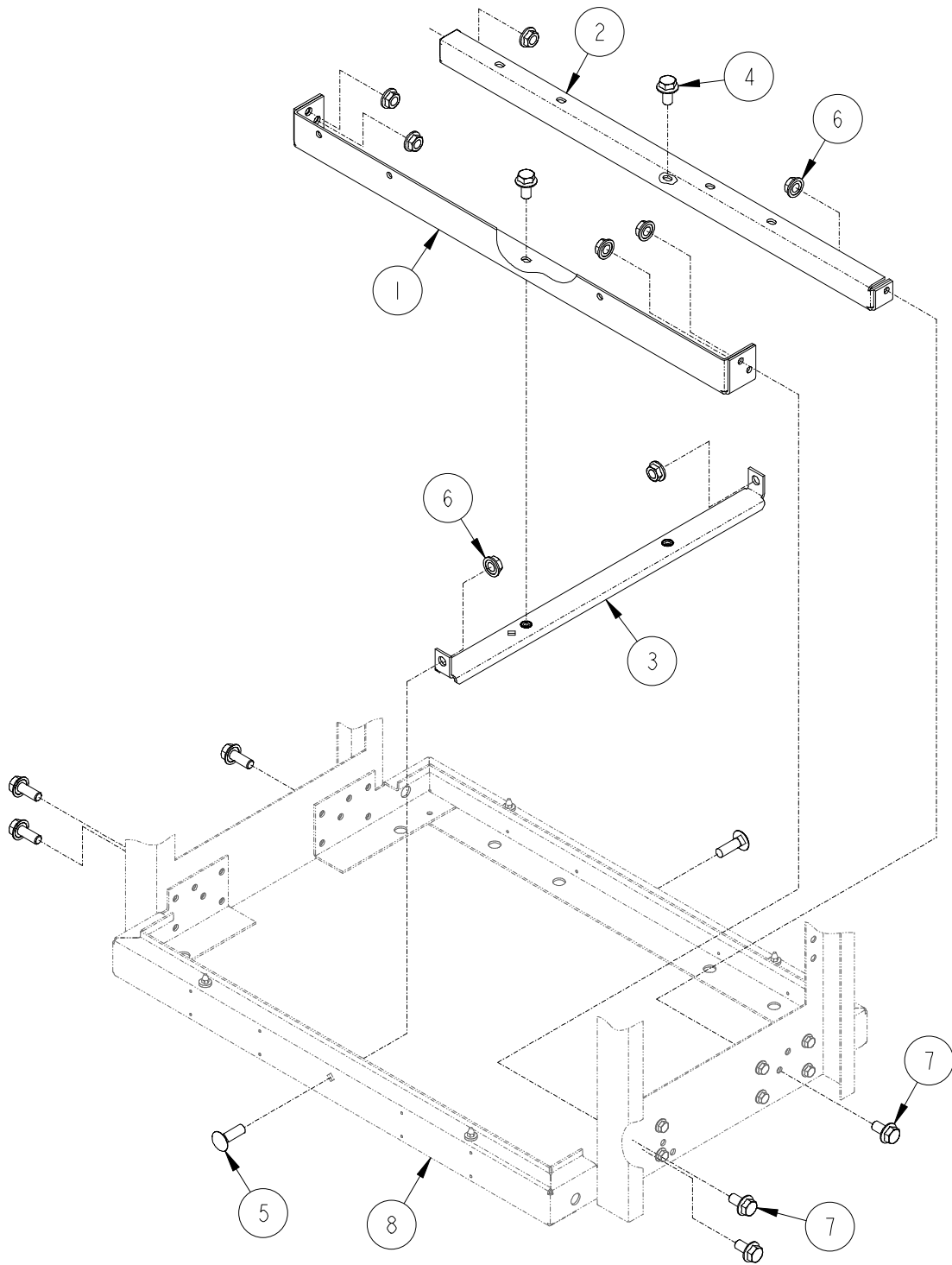
321153 Chassis Assembly

1-72895

ROTARY PUMP ASSEMBLY

ITEM NO.	PART NO.	DESCRIPTION	ITEM NO.	PART NO.	DESCRIPTION
1	2-13867	Washer	25	02-51911	1/4" Pipe Plug
2	1-119636	Key	26	35-55132	5/16-18 x 5/8" Long M-F Flange Whiz Lock Screw
3	1-216295	Pump Pulley	27	<u>For parts call out of Rotary Pump & Air Separator see 741566.</u>	
4	1-217902	Pump Inlet Connection Gasket	21	<u>For parts call out of Rotary Pump Mounting Assembly see 7290.</u>	
5	1-220849	Idler Arm	<u>For complete Rotary Pump Assembly order:</u>		
6	1-221668	Idler Pulley	405952-51		
7	1-220923	Meter Flange	428203-10	Pump & Inlet Assembly	
8	1-38510	Pump Inlet Connection	<u>For complete Idler Arm & Pulley Assembly order:</u>		
9	02-50301	5/16-18 Hex Nut	37277-16		
10	03-50301	3/8-16 Hex Nut	<u>Reference for Tokheim internal use only:</u>		
11	36-50361	1/4-28 x 1-1/4" Long Hex Head Cap Screw	321153	45" Chassis Assembly	
12	33-50361	5/16-18 x 3/4" Long Hex Head Cap Screw	321204	30" Chassis Assembly	
13	67-50361	3/8-16 x 1-1/2" Long Hex Head Cap Screw			
14	297-50361	3/8-16 x 1-1/8" Long Hex Head Cap Screw			
15	87-50560	1" x 2-1/2" Long Pipe Nipple			
16	117-50560	1-1/2" x 1-3/4" Long Pipe			
17	03-50611	5/16" Plate Washer			
18	14-50641	5/16" Lockwasher			
19	15-50641	3/8" Lockwasher			
20	65-50721	5/16-18 x 1/4" Long Hex Socket Head Cup Point Set Screw	1-72896		
21	27-50761	3/8" Lockwasher			
22	02-51711	1/4" x 90° Street Elbow (Brazil)			
23	27-51780	1-1/2" Female Union			
24	14-51851	1" x 1/4" Hex Bushing (Brazil)			

ROTARY PUMP MOUNTING ASSEMBLY (30" SHOWN)



1-72905

ROTARY PUMP MOUNTING ASSEMBLY (30" SHOWN)

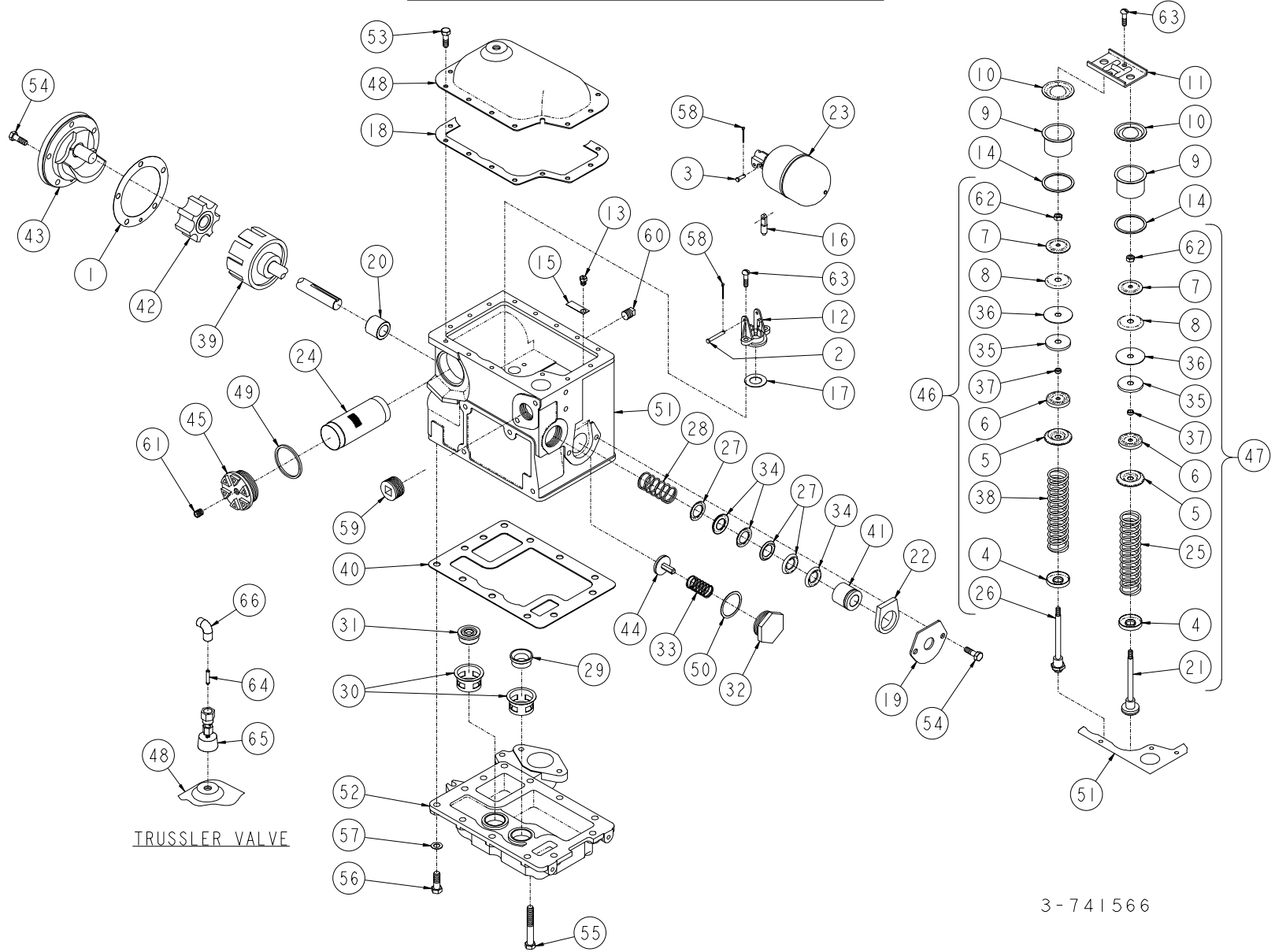
ITEM NO.	PART NO.	DESCRIPTION
1		<u>Front Pump Mounting Brace</u>
	1-422584	45"
	1-422614	30"
2		<u>Rear Pump Mounting Brace</u>
	1-422585	45"
	1-422615	30"
3	1-422610	Pump Mounting Support
4	20-51491	5/16 x 3/4" Hex Head Self Tapping Screw
5	39-52198	5/16-18 x 1" Long Carriage Bolt
6	02-54752	5/16-18 M-F Flange Whiz Lock Nut
7	38-55132	5/16-18 x 1" Long MF-Flange Whiz Lock Screw
8		<u>For parts call out of Chassis Assembly see.</u>
	72724	45"
	72779	30"

Reference for Tokheim internal use only:

321153	45" Chassis Assembly
321204	30" Chassis Assembly

1-72905

ROTARY PUMP & AIR SEPARATOR



3-741566

ROTARY PUMP & AIR SEPARATOR

ITEM NO.	PART NO.	DESCRIPTION	ITEM NO.	PART NO.	DESCRIPTION
1	1-17526	Gasket	27	1-117475	Packing Gland
2	1-18654	Float Lever Pin	28	1-117660	Packing Spring
3	1-18655	Valve Pin	29	1-118590	Regulating Valve Seat
4	1-18716	Guide Plate	30	1-118591	Valve Seat Guide
5	1-18717	Spring Plate	31	1-118640	By-Pass Valve Seat
6	1-18718	Plunger Head	32	2-120731	Check Valve Cap
7	1-18719	Plunger Plate	33	1-120733	Poppet Spring
8	1-18720	Plunger Follower	34	1-121394	“V” Packing
9	1-18721	Valve Cylinder	35	1-126295	Plunger Guide
10	1-18722	Cylinder Head	36	1-126343	Plunger Disc
11	1-18731	Clamp Plate	37	1-126344	Plunger Spacer
12	1-18734	Float Valve Body	38	<u>By-Pass Valve Spring</u>	
13	1-18750	Vent Screw	1-18735		34 to 35-1/2 Lbs.
14	1-18792	Valve Cylinder Gasket	1-19048		53 Lbs.
15	1-18799	Vent Screw Guard	1-131178		44-1/2 Lbs.
16	1-18860	Float Valve Needle	1-230439		60 lbs.
17	1-18961	Float Valve Gasket	1-231015		60 lbs. (Stainless Steel)
18	2-113691	Cover Gasket	39	25664-1	Pump Rotor Shaft Assembly
19	1-113698	Retainer	40	1-25879	Bottom Head Gasket
20	1-113703	Bearing	41	1-210024	Drive Shaft Bearing
21	113776-1	Regulating Poppet Assembly	42	1-211816	Rotary Pump Idler
22	1-113819	Oil Well Felt	43	211818-1	Rotary Pump Head Assembly
23	114064-1	Float Assembly	44	213168-1	Poppet Disc & Relief Valve Assembly
24	1-115075	Suction Screen	45	1-232289	Strainer Cap
25	1-115642	Regulating Valve Spring			
26	1-116628	By-Pass Valve Poppet			

ROTARY PUMP & AIR SEPARATOR

ITEM NO.	PART NO.	DESCRIPTION	ITEM NO.	PART NO.	DESCRIPTION
46	217897-5	By-Pass Valve Assembly (44-1/2 Lbs)	63	403-54921	1/4-20 x 7/8" Long Phillips Pan Head Machine Screw
47	217898-1	Regulating Valve Assembly	64	1-132735	Valve Stem
48	1-32089	Separator Cover	65	1-232164	Float Assembly
49	2-313235	Gasket	66	05-52020	Elbow Tube
50	21-313235	Gasket			
51	2-402334	Rotary Pump & Separator Body (Note: Order also (1 ea) Item #13, (2 ea) Item #14, (1 ea) Item #15, (1 ea) Item #17, (1 ea) Item #20, (1 ea) Item #22, (3 ea) Item #27, (1 ea), Item #28, (3 ea) Item #34, (1 ea) Item #40, (1 ea) Item #41, (1 ea) Item #49, (1 ea) Item #50			<p><u>For complete Rotary Pump Repair Kit order: 225183-1</u></p> <p><u>For complete 855-CC Rotary Pump & Air Separator order: 405952-51</u></p>
52	408143-2	Lower Pump Head With Valve Seat Guides, Regulating Valve Seat			3-741566
53	01-50360	1/4-20 x 1/2" Long Hex Head Cap Screw			
54	34-50360	5/16-18 x 7/8" Long Hex Head Cap Screw			
55	71-50360	3/8-16 x 2-1/2" Long Hex Head Cap Screw			
56	297-50360	3/8-16 x 1-1/8" Long Hex Head Cap Screw			
57	15-50641	3/8" Lockwasher			
58	17-51210	1/16" Dia. x 1/2" Long Cotter Pin			
59	27-51901	1" Pipe Plug			
60	02-51911	1/4" Square Head Pipe Plug			
61	38-51911	1/4" Countersunk Pipe Plug			
62	01-52321	1/4-28 Hex Nut			