

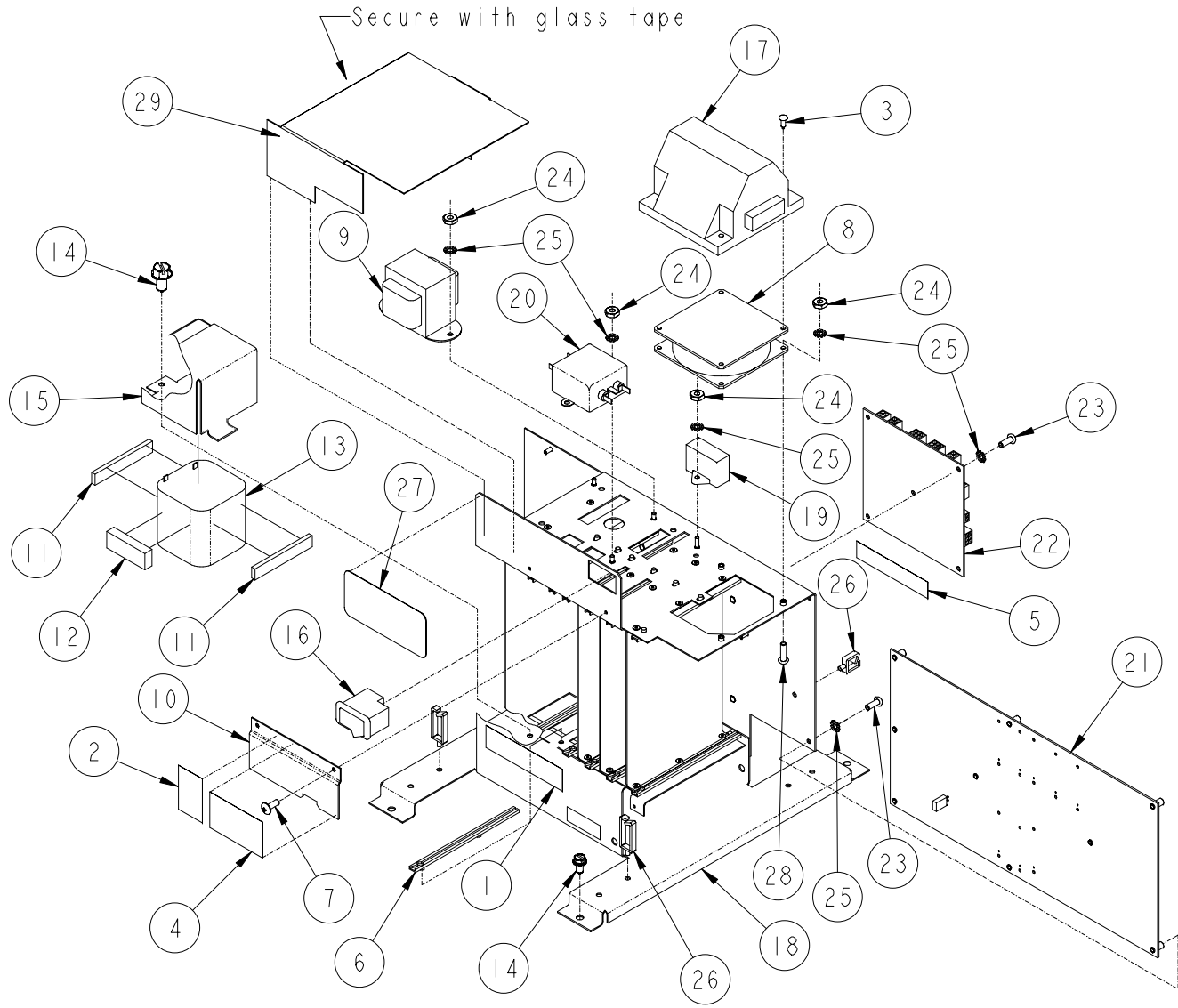
SECTION

5A

Premier “C” UDC Electronics

	Page Number
Electrical Component & Power Supply Assembly	5A-2, 5A-3
Options Power Supply Assembly	5A-4, 5A-5
Wide Range Power Supply Assembly	5A-6, 5A-7
Card Cage Assembly	5A-8 — 5A-11
Handles/Pulser Barrier Assembly	5A-12, 5A-13
IS Barrier Assembly	5A-14, 5A-15
Motor Control & Power Supply Assembly	5A-16, 5A-17
<u>DPT Board Assembly</u>	
H300C Series	5A-18, 5A-19
H400C Series	5A-20, 5A-21
<u>Insight Board Assembly</u>	
H300C Series	5A-22, 5A-23
H400C Series	5A-24, 5A-25
<u>Router Board Assembly</u>	
H300C Series	5A-26, 5A-27
H400C Series	5A-28, 5A-29
Cash Acceptor Mounting Assembly	5A-30, 5A-31

ELECTRICAL COMPONENT & POWER SUPPLY ASSEMBLY



1-72732

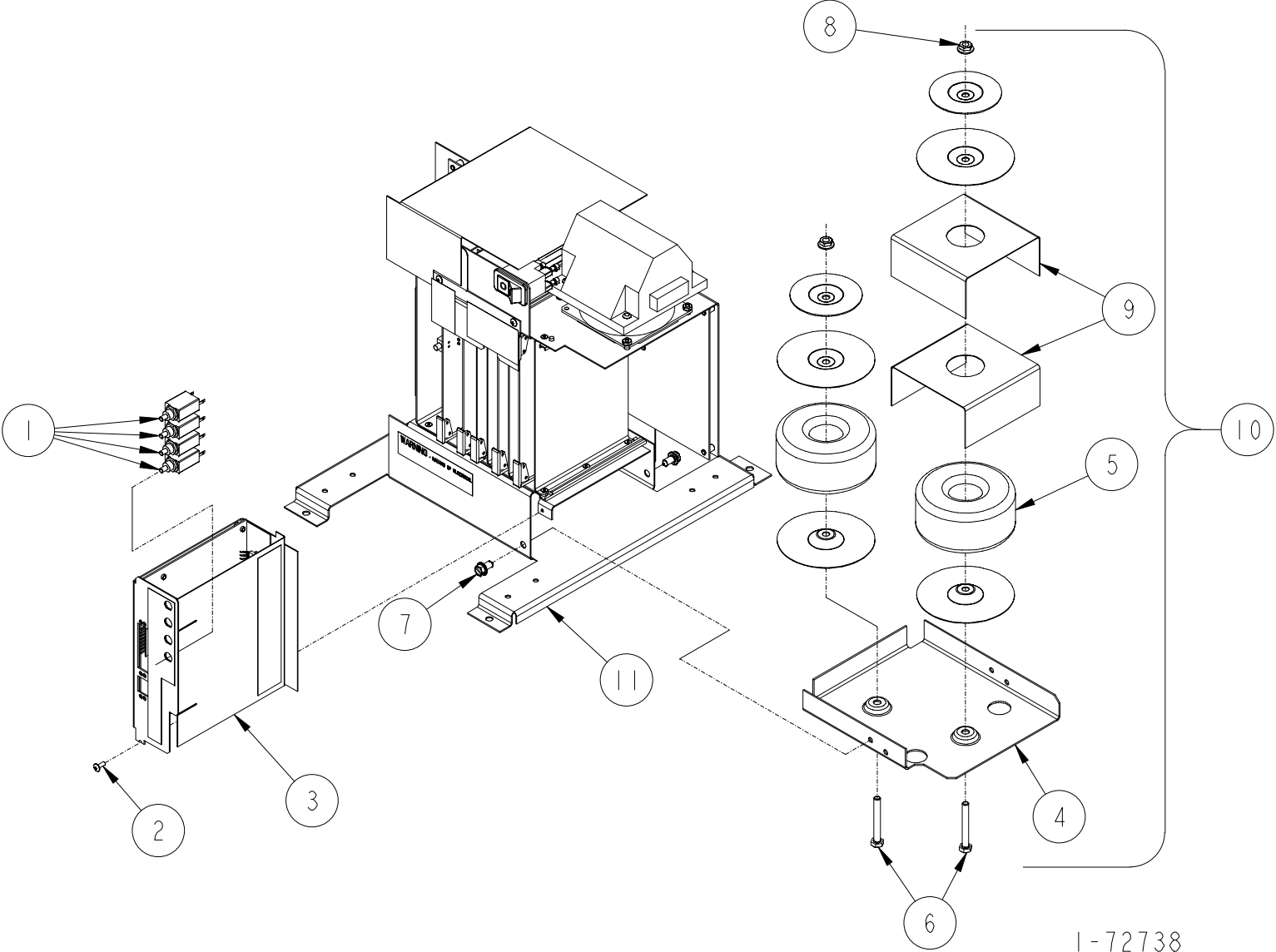
ELECTRICAL COMPONENT & POWER SUPPLY ASSEMBLY

ITEM NO.	PART NO.	DESCRIPTION	ITEM NO.	PART NO.	DESCRIPTION
1	1-130404	Warning Label	17	<u>Heater</u>	
2	1-132756	Label (Test Interface Board)		1-232135	120 Volt
3	1-132721	Snap Rivet		3-232135	240 Volt
4	1-226445	Warning Label	18	<u>Card Cage & Support Assembly</u>	
5	1-227816	Label (Danger Hi Voltage)		422322-1	Standard
6	2-227818	Card Guide		422322-2	Wide Range Power Supply
7	1-230689	#6 x 3/8" Long Phillips Truss Head Self Tapping Screw	19	<u>Surge Protector</u>	
8	<u>Fan</u>			319473-1	120 Volt
	1-230737	120 Volt		319473-2	240 Volt
	2-230737	240 Volt	20	319481-1	Filter Assembly
9	231817-1	Transformer Assembly	21	420935-1	Mother Board Assembly
10	1-231849	Circuit Board Retainer	22	420955-1	AC Distribution Board Assembly
11	1-231891	Cushion	23	92-50021	#6-32 x 3/8" Long Phillips Round Head Machine Screw
12	5-227852	Cushion	24	03-50211	#6-32 Hex Machine Nut
13	12-315637	Battery Pack	25	03-50762	#6 Shakeproof Lockwasher
14	69-55392	1/4 x 1/2" Long Hex Washer Head Tapping Screw	26	1-132718	Cable Retainer
15	1-321061	Battery Holder	27	1-225424	Caution Label
16	2-319178	AC On/Off Switch	28	96-50021	#6-32 x 1/2" Long Round Head Machine Screw

1-72732



OPTIONS POWER SUPPLY ASSEMBLY



1-72738

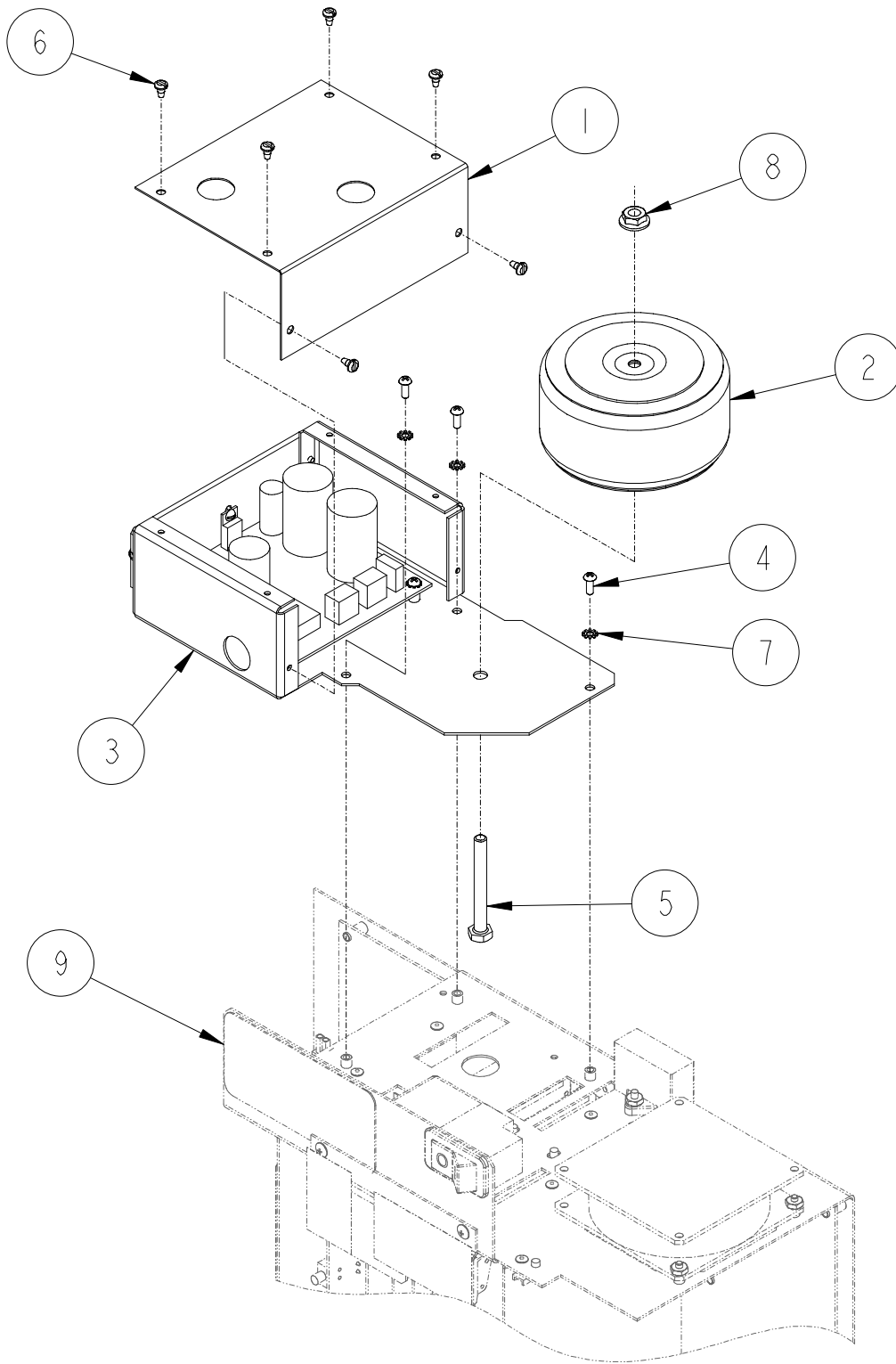
OPTIONS POWER SUPPLY ASSEMBLY

ITEM NO.	PART NO.	DESCRIPTION
1		<u>Circuit Breaker (Dispenser Payment Terminal)</u>
	6-228135	2 Amp
	9-228135	3 Amp
2	1-230689	#6 x 3/8" Long Phillips Truss Head Self Tapping Screw
3	319407-11	Power Supply Board Assembly (Dispenser Pay Terminal)
4	1-319422	Transformer Bracket
5	319582-1	Transformer Assembly (DPT, Blender)
6	09-50361	1/4-20 x 2" Long Hex Head Cap Screw
7	10-51491	#14 x 1/2" Long P-K Hex Head Self Tapping Screw
8	01-54752	1/4-20 M-F Flange Whiz Lock Nut
9	2-232278	Transformer Shield
10	319407-3	Transformer Assembly (Includes item 3)
11		<u>For parts call out of Electrical Component & Power & Power Supply Assembly see: 72732.</u>

1-72738



WIDE RANGE POWER SUPPLY ASSEMBLY



1-72749

POWER SUPPLY ASSEMBLY (WIDE RANGE)

ITEM NO.	PART NO.	DESCRIPTION
1	1-232747	Insulator Cover
2	319991-2	Transformer Assembly
3	<u>Power Supply Board Assembly</u>	
	421968-1	110 Volt
	421968-4	220 Volt
4	92-50021	#6-32 x 3/8" Long Phillips Round Head Screw
5	10-50361	1/4-20 x 2-1/4" Long Hex Head Cap Screw
6	10-50481	#6-32 x 1/4" Long Pan Head Thread Cutting Screw
7	03-50762	#6 Shakeproof Lockwasher
8	01-54752	1/4-20 M-F Flange Whiz Lock Nut
9	<u>For parts call out of Electrical Component & Power Supply Assembly see 72732.</u>	

For complete Wide Range Power Supply order:

232804-1	120 Volt
232804-2	240 Volt

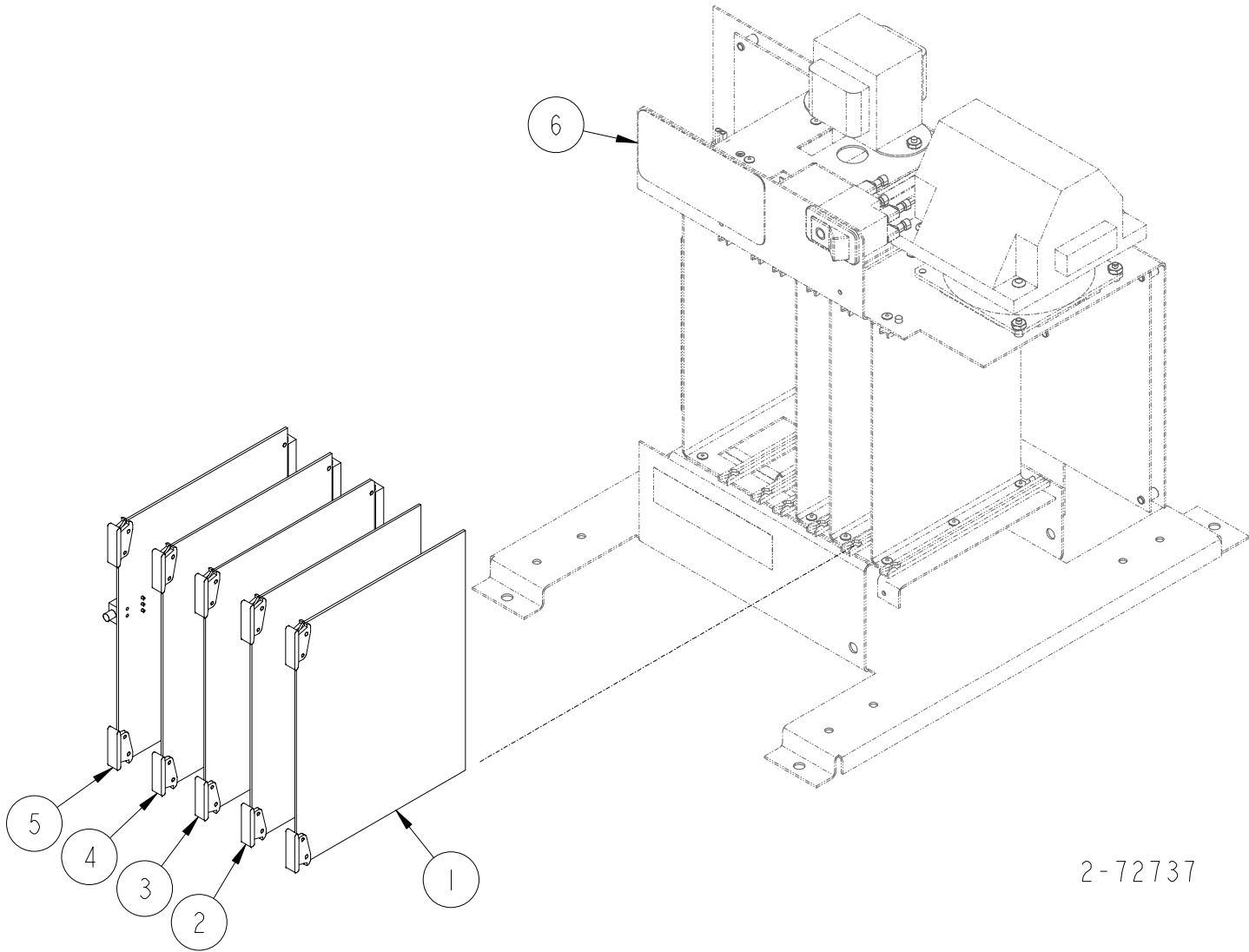
Reference for Tokheim internal use only:

422323	Card Cage Assembly
--------	--------------------

1-72749

5
A

CARD CAGE ASSEMBLY



2-72737

CARD CAGE ASSEMBLY

ITEM NO.	PART NO.	DESCRIPTION	ITEM NO.	PART NO.	DESCRIPTION
Model: H311C, H312C, H322C & H324C					
1	421084-1	Relay Board Assembly	6		<u>For parts call out of Electrical Component & Power Supply Assembly see 72732</u>
3		<u>Multiplex Board Assembly</u>	Model: H322C-RHVMM		
	421420-1	MaxVac	1	421084-5	Relay Board Assembly
	421420-4	Without MaxVac	2	421084-1	Relay Board Assembly
4	421124-6	Expanded Computer Board Assembly (Order EPROM Separately)	3		<u>Multiplex Board Assembly</u>
	742-314950	EPROM (Domestic)		421420-1	MaxVac
	743-314950	EPROM (International)		421420-4	Without MaxVac
5		<u>Interface Board Assembly</u>	4	421124-6	Expanded Computer Board Assembly (Order EPROM Separately)
	421087-1	120 Volt		742-314950	EPROM (Domestic)
	421087-2	220 Volt		743-314950	EPROM (International)
6		<u>For parts call out of Electrical Component & Power Supply Assembly see 72732</u>	5		<u>Interface Board Assembly</u>
Model: H311C-RHVM & H322C-RHVMS				421087-1	120 Volt
1	421084-5	Relay Board Assembly		421087-2	220 Volt
3		<u>Multiplex Board Assembly</u>	6		<u>For parts call out of Electrical Component & Power Supply Assembly see 72732</u>
	421420-1	MaxVac	Model: H312C-RHVMM & H324C-RHVMS		
	421420-4	Without MaxVac	1	421084-5	Relay Board Assembly
4	421124-6	Expanded Computer Board Assembly (Order EPROM Separately)	2	421084-5	Relay Board Assembly
	742-314950	EPROM (Domestic)	3		<u>Multiplex Board Assembly</u>
	743-314950	EPROM (International)		421420-1	MaxVac
5		<u>Interface Board Assembly</u>		421420-4	Without MaxVac
	421087-1	120 Volt			
	421087-2	220 Volt			



CARD CAGE ASSEMBLY CONTINUED

ITEM NO.	PART NO.	DESCRIPTION	ITEM NO.	PART NO.	DESCRIPTION
Model: H312C-RHVMM & H324C-RHVMS (Continued)			Model: H311C-B3/5, H322C-B3/5, H411C-B3/5, H413C-EB, H422C-B3/5 & H426C-EB (Continued)		
4	421124-6	Expanded Computer Board Assembly (Order EPROM Separately)	6		For parts call out of Electrical Component & Power Supply Assembly see <u>72732</u>
	742-314950	EPROM (Domestic)			
	743-314950	EPROM (International)			
5		<u>Interface Board Assembly</u>	Model: H411C, H413C, H422C & H426C		
	421087-1	120 Volt	1	421084-1	Relay Board Assembly
	421087-2	220 Volt	2	421084-3	Relay Board Assembly
6		For parts call out of Electrical Component & Power Supply Assembly see <u>72732</u>	3		<u>Multiplex Board Assembly</u>
				421420-1	MaxVac
				421420-4	Without MaxVac
			4	421124-6	Expanded Computer Board Assembly (Order EPROM Separately)
				742-314950	EPROM (Domestic)
				743-314950	EPROM (International)
Model: H311C-B3/5, H322C-B3/5, H411C-B3/5, H413C-EB, H422C-B3/5 & H426C-EB			5		<u>Interface Board Assembly</u>
1	421084-2	Relay Board Assembly		421087-1	120 Volt
2	421284-1	Valve Interface Board Assembly		421087-2	240 Volt
3		<u>Blender Control Board Assembly</u>	6		For parts call out of Electrical Component & Power Supply Assembly see <u>72732</u>
	421186-4	Without MaxVac			
	421574-5	MaxVac			
4	421124-6	Expanded Computer Board Assembly (Order EPROM Separately)			
	742-314950	EPROM (Domestic)			
	743-314950	EPROM (International)			
5		<u>Interface Board Assembly</u>			
	421087-1	120 Volt			
	421087-2	240 Volt			

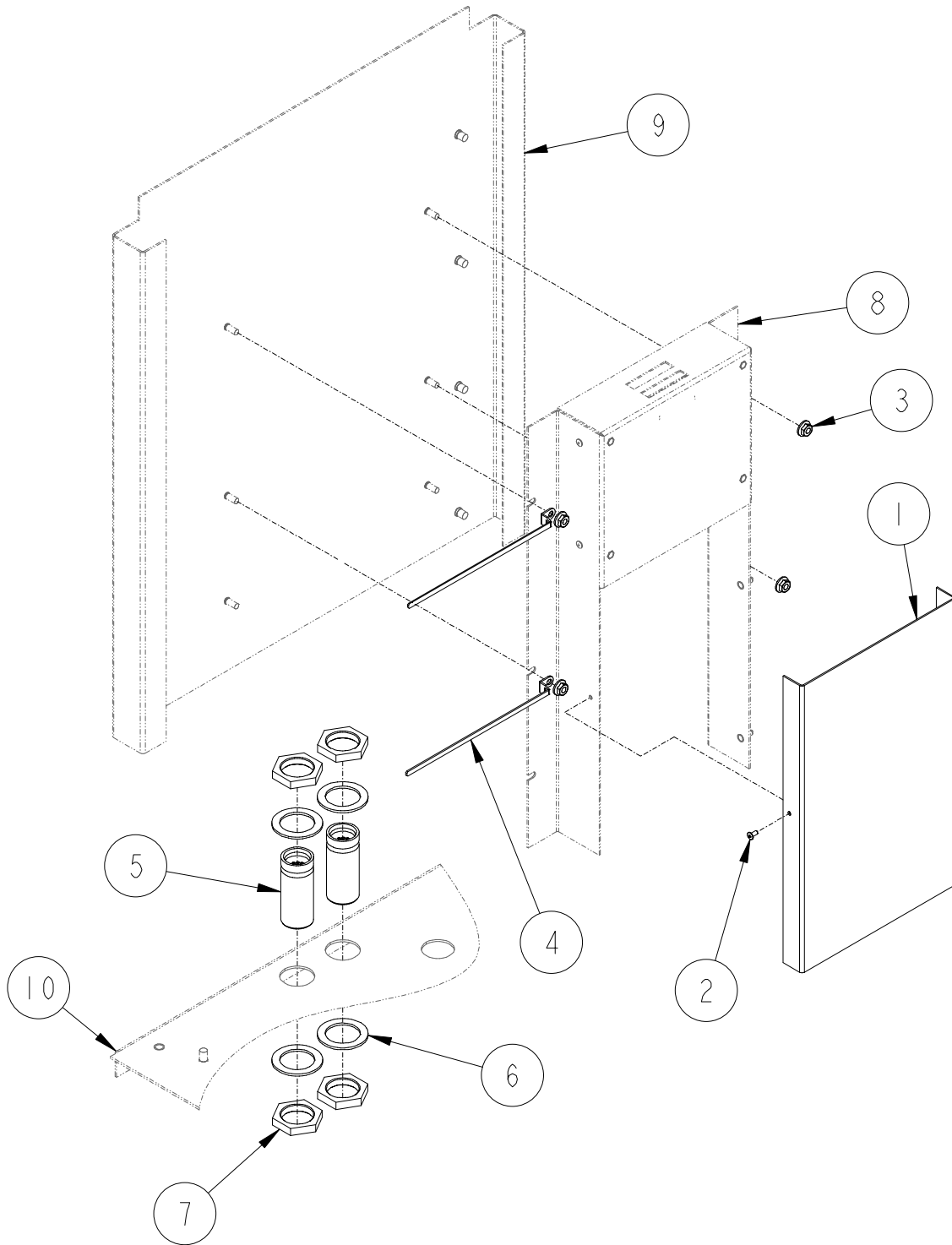
CARD CAGE ASSEMBLY CONTINUED

ITEM NO.	PART NO.	DESCRIPTION	ITEM NO.	PART NO.	DESCRIPTION
Model: H414C & H428C			Model: H412C-B3/4, H414C-EB, H424C-B3/4 & H428C-EB		
1	421084-1	Relay Board Assembly	1	421084-2	Relay Board Assembly
2	421084-1	Relay Board Assembly	2	421084-3	Relay Board Assembly
3	<u>Multiplex Board Assembly</u>		3	<u>Blender Control Board Assembly</u>	
	421420-1	MaxVac		421186-4	Without MaxVac
	421420-4	Without MaxVac		421574-5	MaxVac
4	421124-6	Expanded Computer Board Assembly (Order EPROM Separately)	4	421124-6	Expanded Computer Board Assembly (Order EPROM Separately)
	742-314950	EPROM (Domestic)		742-314950	EPROM (Domestic)
	743-314950	EPROM (International)		743-314950	EPROM (International)
5	<u>Interface Board Assembly</u>		5	<u>Interface Board Assembly</u>	
	421087-1	120 Volt		421087-1	120 Volt
	421087-2	240 Volt		421087-2	240 Volt
6	<u>For parts call out of Electrical Component & Power Supply Assembly see 72732</u>		6	<u>For parts call out of Electrical Component & Power Supply Assembly see 72732</u>	

2-72737



HANDLES/PULSER BARRIER ASSEMBLY



1-72757

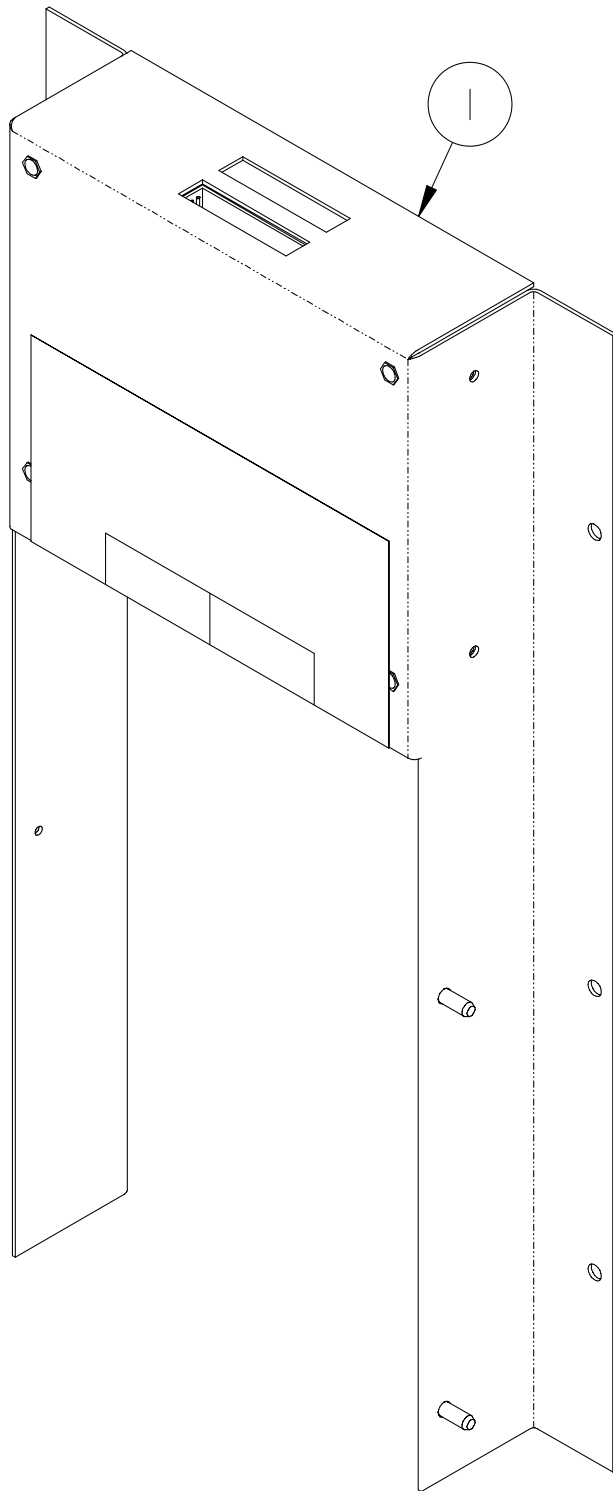
HANDLES/PULSER BARRIER ASSEMBLY

ITEM NO.	PART NO.	DESCRIPTION
1	1-321156	Installation Cover
2	2-232748	Pop Rivet
3	03-54752	#10-24 M-F Flange Whiz Lock Nut
4	4-228918	Cable Clamp
5	<u>Handles/Pulser Harness Assembly</u>	
	422758-1	H411C, H413C, H422C, H422C-B3/4, H424C-B3/4, H426C, H426C-EB (Side "A")
	422758-2	H422C, H422C-B3/4, H424C-B3/4, H426C, H426C-EB (Side "B")
	422758-3	H424C, H428C, H428C-EB (Product 1 & 2)
	422758-4	H424C, H428C, H428C-EB (Product 3 & 4)
	422758-5	H311C, H312C, H322C, H322C-B3/5, H324C
6	1-132777	Conduit Washer
7	1-132791	Hexagon Locknut
8	<u>For parts call out of IS Barrier Assembly see 72788.</u>	
9	<u>For parts call out of Chassis Assembly see:</u>	
	72779	H300C Series
	72724	H400C Series
10	<u>For parts call out of Head Assembly see:</u>	
	72768	H300C Series
	72758	H400C Series
	<u>Reference for Tokheim internal use only:</u>	
	321096	Head Assembly (H300C Series)
	321084	Head Assembly (H400C Series)
	321204	Chassis Assembly (H300C Series)
	321153	Chassis Assembly (H400C Series)
	321217	Final Assembly (H400C Series)
	321218	Final Assembly (H300C Series)

5
A

1-72757

I.S. BARRIER ASSEMBLY



2-72788

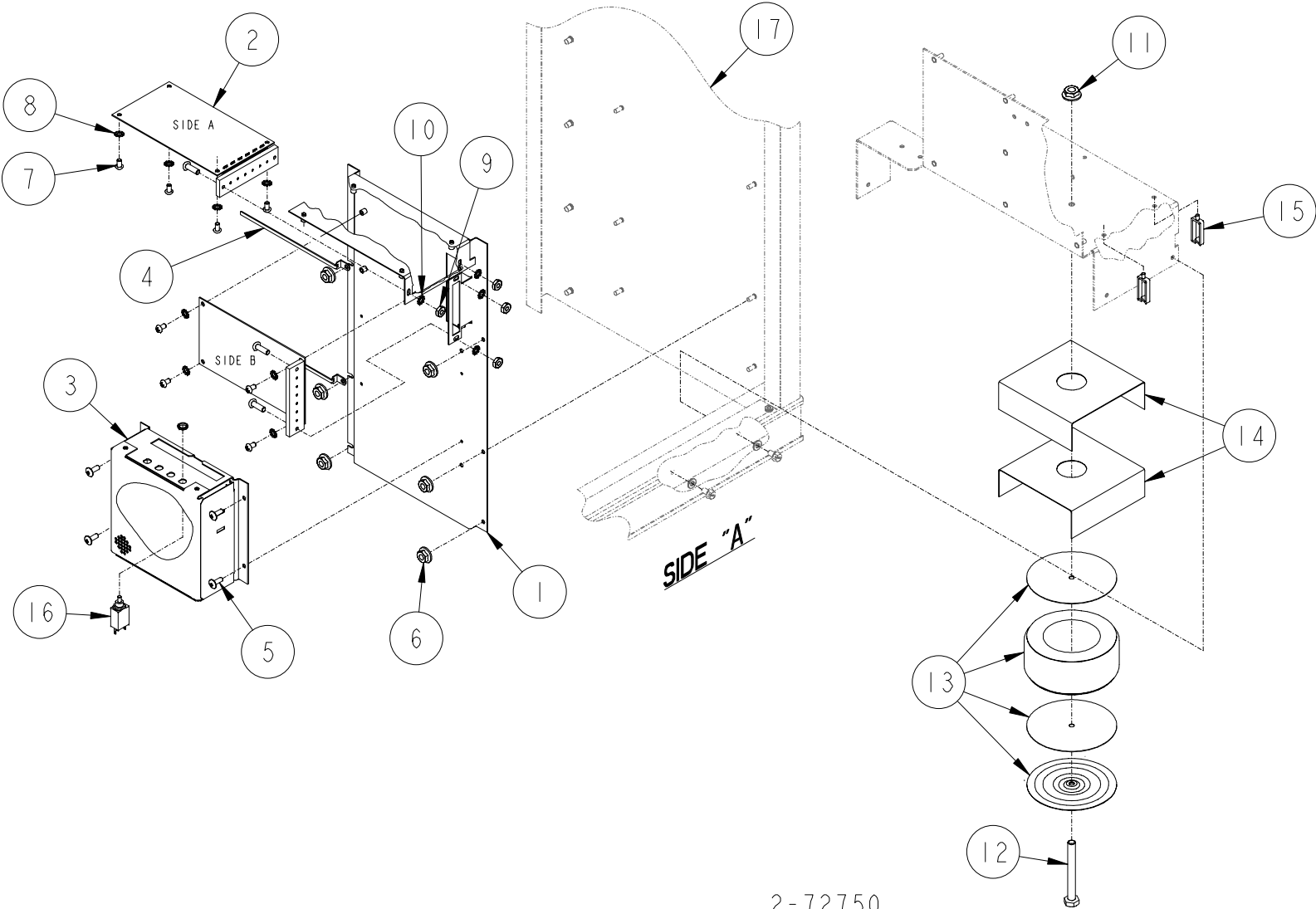
I.S. BARRIER ASSEMBLY

ITEM NO.	PART NO.	DESCRIPTION
1		<u>Handle/Pulser Barrier Assembly</u>
	321139-4	4 Nozzles (H322C, H322C-B3/5, H324C)
	321139-5	6 Nozzles (H422C, H422C-B3/5, H424C-B3/4, H426C, H426C-EB)
	321139-6	8 Nozzles (H424C, H428C, H428C)
	321139-10	4 Nozzles (Canada)(H322C, H322C-B3/5, H324C)
	321139-12	8 Nozzles (Canada)(H424C, H428C, H428C)
	321139-14	H300C-HV Series
	321139-19	H300C-HV Series (Canada)

2-72788

**5
A**

MOTOR CONTROL & POWER SUPPLY ASSEMBLY



2-72750

MOTOR CONTROL & POWER SUPPLY ASSEMBLY

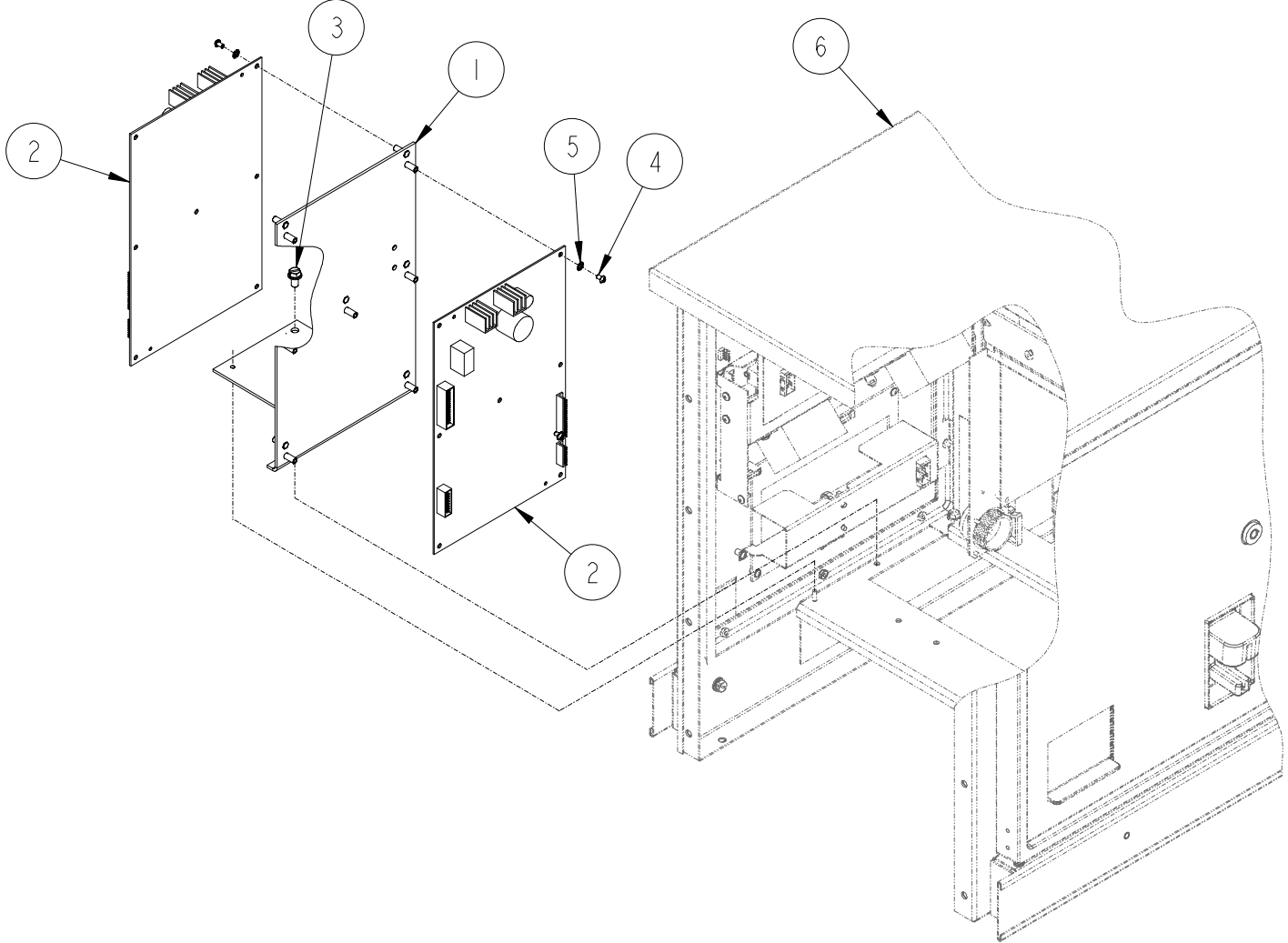
ITEM NO.	PART NO.	DESCRIPTION
1	321069-1	MaxVac Mounting Bracket Assembly
2	421449-1	Mini Motor Control Board Assembly
3	<u>Power Supply Assembly</u>	
	319683-3	120 Volt
	319683-4	240 Volt
4	4-228918	Cable Clamp
5	2-230689	#6 x 3/8" Long Phillips Head Self Tapping Screw
6	03-54752	#10-24 M-F Flange Whiz Lock Nut
7	88-50021	#6-32 x 1/4" Long Phillips Round Head Machine Screw
8	03-50762	#6 Shakeproof Lockwasher
9	03-50211	#6-32 Hex Machine Nut
10	96-50021	#6-32 x 1/2" Long Phillips Round Head Machine Screw
11	01-54752	1/4-20 M-F Flange Whiz Lock Nut
12	10-50361	1/4-20 x 2-1/4" Long Hex Head Cap Screw
13	318942-2	Transformer Assembly
14	1-232278	Transformer Shield
15	1-132718	Cable Retainer

ITEM NO.	PART NO.	DESCRIPTION
16	Circuit Breaker	
	6-228135	2 Amp
	9-228135	3 Amp
17	<u>For parts call out of Head Assembly see:</u>	
	72768	H300C Series
	72758	H400C Series
	<u>Reference for Tokheim internal use only:</u>	
	319500	Circuit Breaker Harness Assembly
	321096	H300C Series Head Assembly
	321084	H400C Series Head Assembly

2-72750



H300C SERIES DPT BOARD ASSEMBLY



1-72764

H300C SERIES DPT BOARD ASSEMBLY

ITEM NO.	PART NO.	DESCRIPTION
1	422766-1	DPT Bracket Assembly
2	<u>Board Assembly</u>	
	420929-11	DPT (works with receipt cutters will cut paper)
	420929-13	TDS (will cut paper)
	420929-14	DPT (Hebrew)
	421844-1	Debit
3	69-55392	#14 x 1/2" Long Hex Washer Head Tapping Screw
4	88-50021	#6-32 x 1/4" Long Phillips Round Head Machine Screw
5	03-50762	#6 Shakeproof Lockwasher
6	<u>For parts call out of Head Assembly see: 72768</u>	

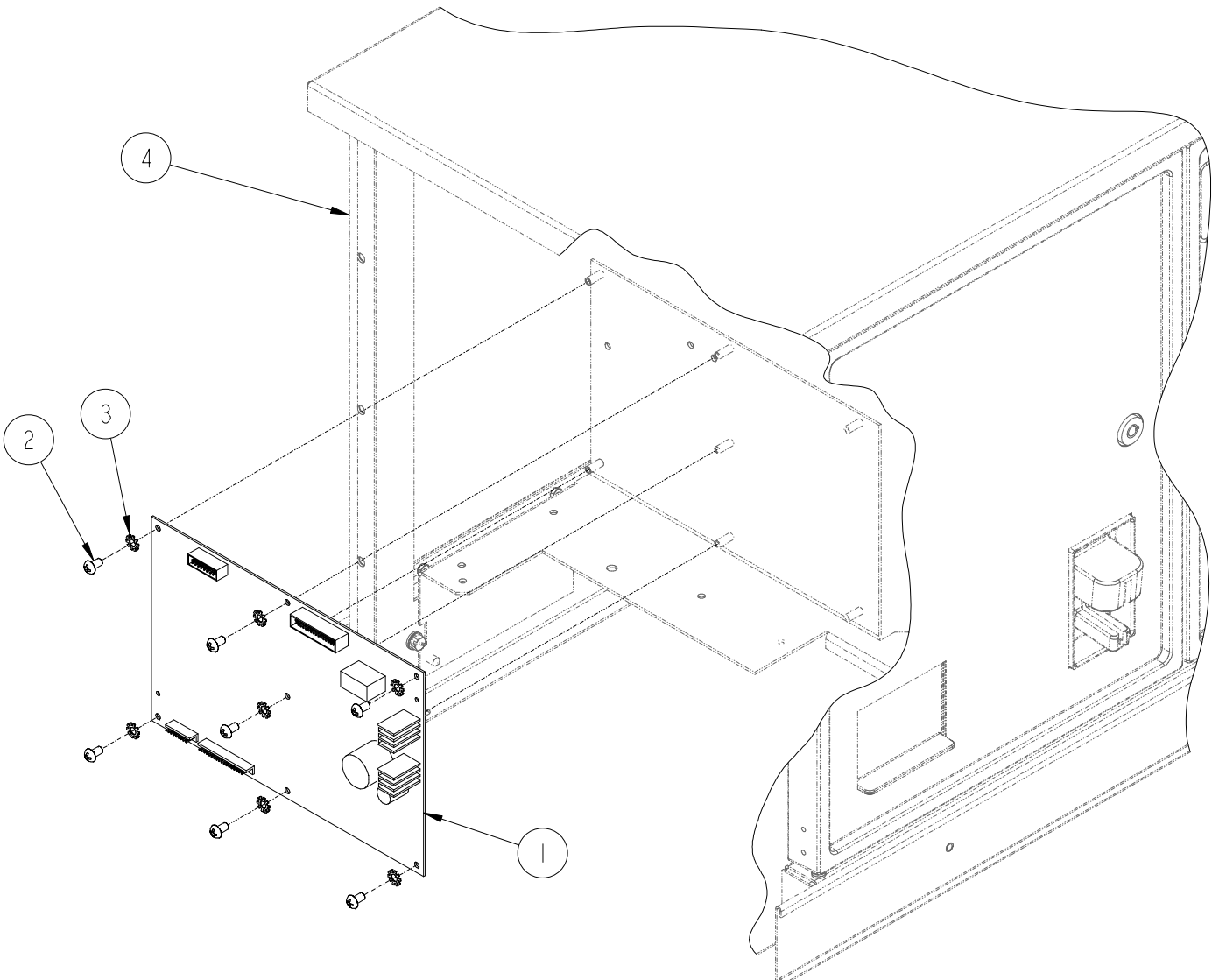
Reference for Tokheim internal use only:

321096 Head Assembly

1-72764



H400C SERIES DPT BOARD ASSEMBLY



1-72755

H400C SERIES DPT BOARD ASSEMBLY

ITEM NO.	PART NO.	DESCRIPTION
1	<u>Board Assembly</u>	
	420929-11	DPT (works with receipt cutters will cut paper)
	420929-13	TDS INSIGHT (will cut paper)
	420929-14	DPT (Hebrew)
	421844-1	Debit
2	88-50021	#6-32 x 1/4" Long Phillips Round Head Machine Screw
3	03-50762	#6 Shakeproof Lockwasher
4	<u>For parts call out of Head Assembly see: 72758</u>	

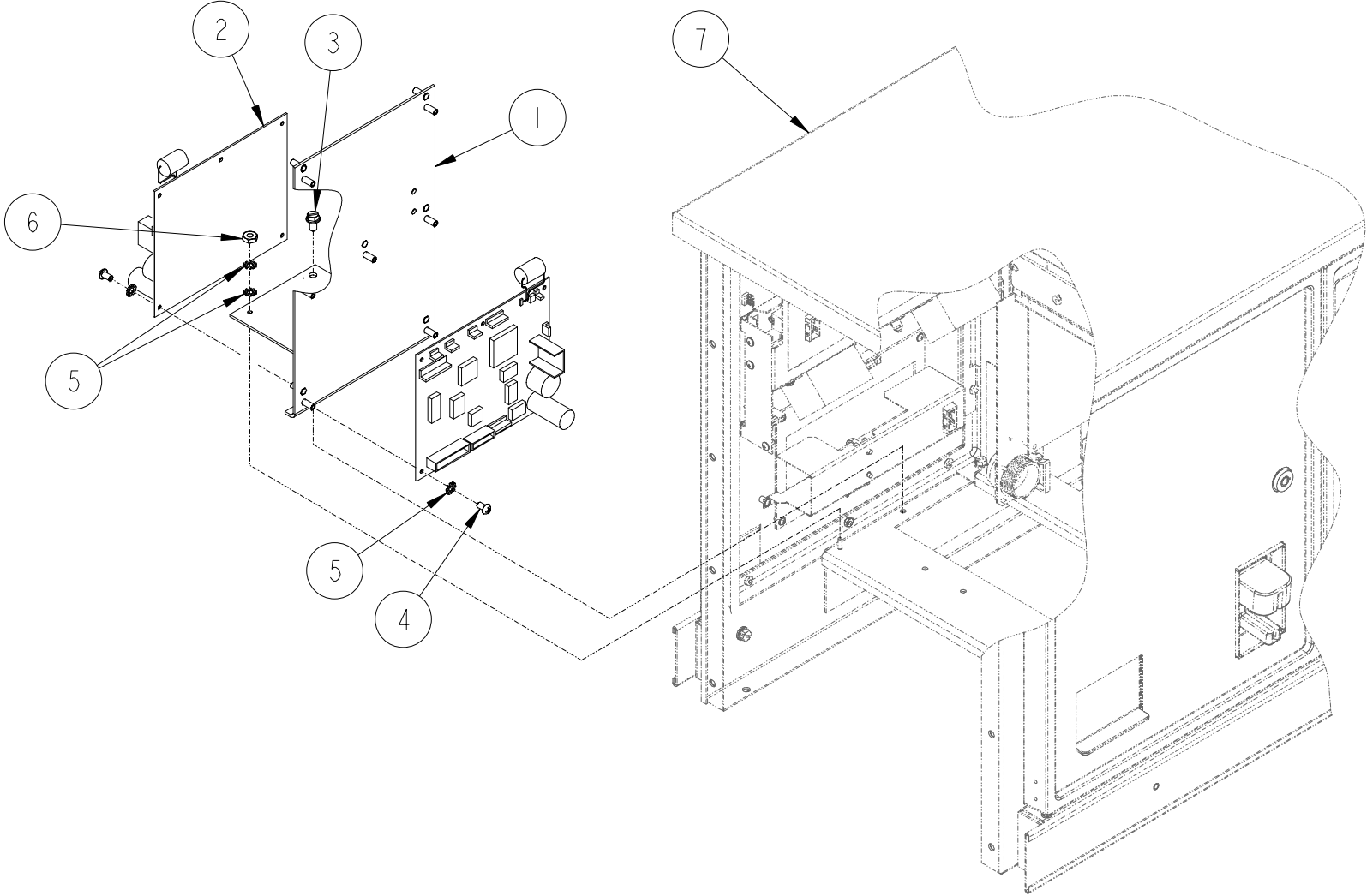
Reference for Tokheim internal use only:

321084 Head Assembly

1-72755



H300C SERIES INSIGHT BOARD ASSEMBLY



1-72767

H300C SERIES INSIGHT BOARD ASSEMBLY

ITEM NO.	PART NO.	DESCRIPTION
----------	----------	-------------

1	422766-1	DPT Bracket Assembly
2	<u>Board Assembly</u>	
	1-422335	Graphic DPT
	2-422335	InSight (Injected)
3	69-55392	#14 x 1/2" Long Hex Washer Head Tapping Screw
4	88-50021	#6-32 x 1/4" Long Phillips Round Head Machine Screw
5	03-50762	#6 Shakeproof Lockwasher
6	03-50211	#6-32 Hex Machine Nut
5	<u>For parts call out of Head Assembly see: 72768</u>	

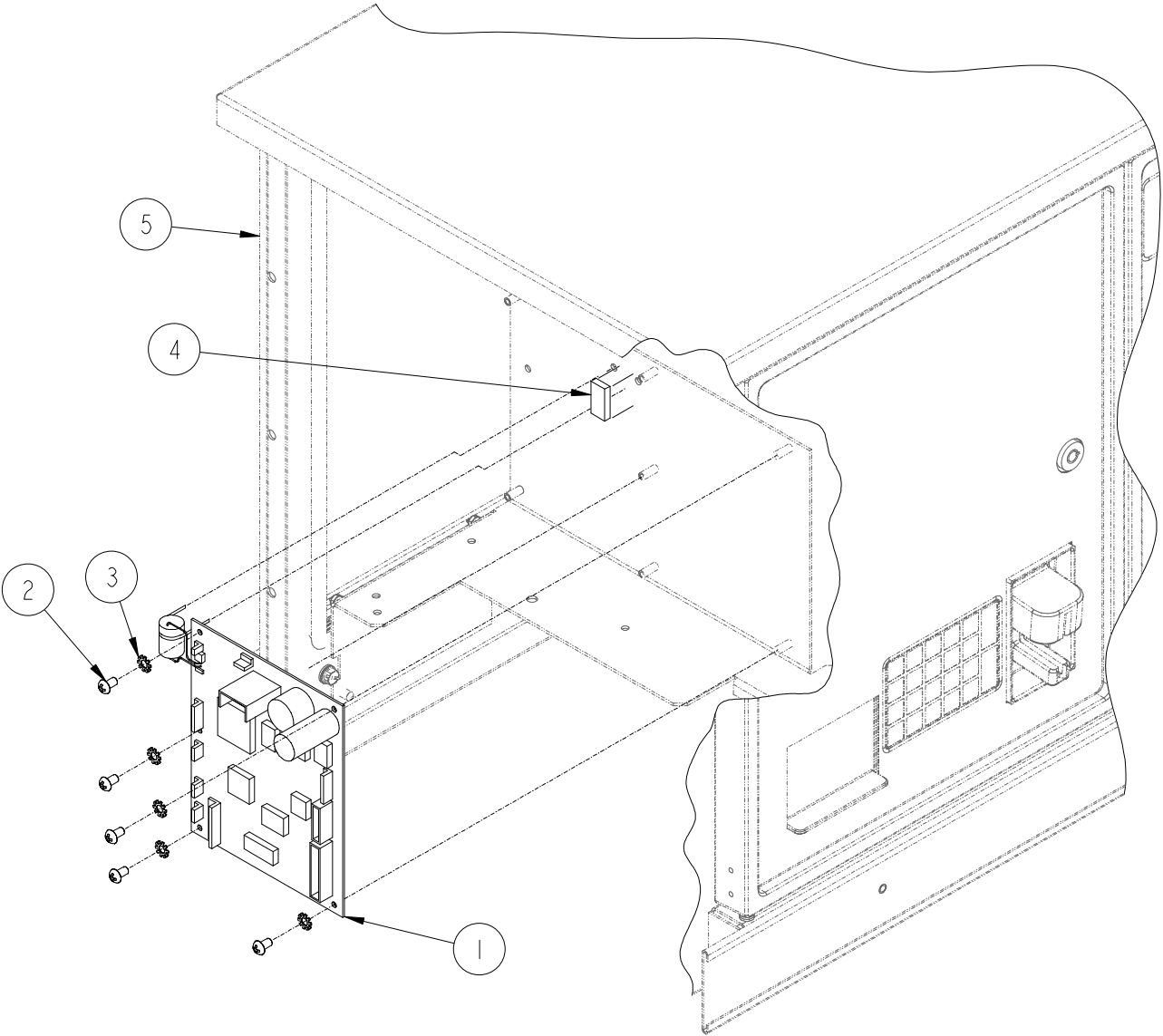
Reference for Tokheim internal use only:

321096 Head Assembly

1-72767



H400C SERIES INSIGHT BOARD ASSEMBLY



1-72756

H400C SERIES INSIGHT BOARD ASSEMBLY

ITEM NO.	PART NO.	DESCRIPTION
----------	----------	-------------

- | | | |
|---|---|---|
| 1 | <u>Board Assembly</u> | |
| | 1-422335 | Graphic DPT |
| | 2-422335 | InSight (Injected) |
| 2 | 88-50021 | #6-32 x 1/4" Long Phillips Round Head Machine Screw |
| 3 | 03-50762 | #6 Shakeproof Lockwasher |
| 4 | 31-232722 | Cushion |
| 5 | <u>For parts call out of Head Assembly see: 72758</u> | |

Reference for Tokheim internal use only:

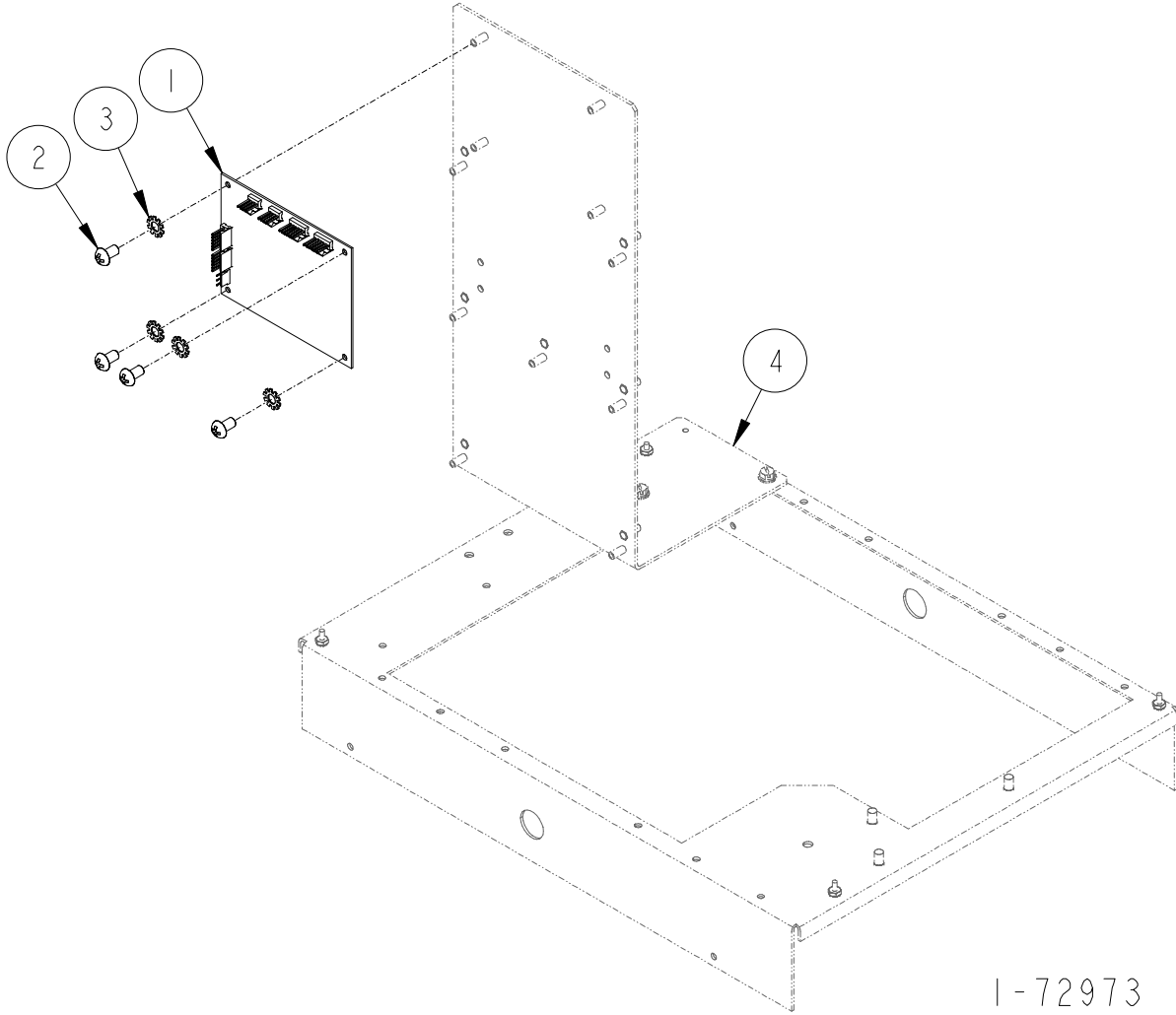
321084 Head Assembly

1-72756



ROUTER BOARD ASSEMBLY

(FOR TI*RFID OR BAR CODE SCANNER)
H300C SERIES



1-72973

ROUTER BOARD ASSEMBLY
(FOR TI*RFID OR BAR CODE SCANNER)
H300C SERIES

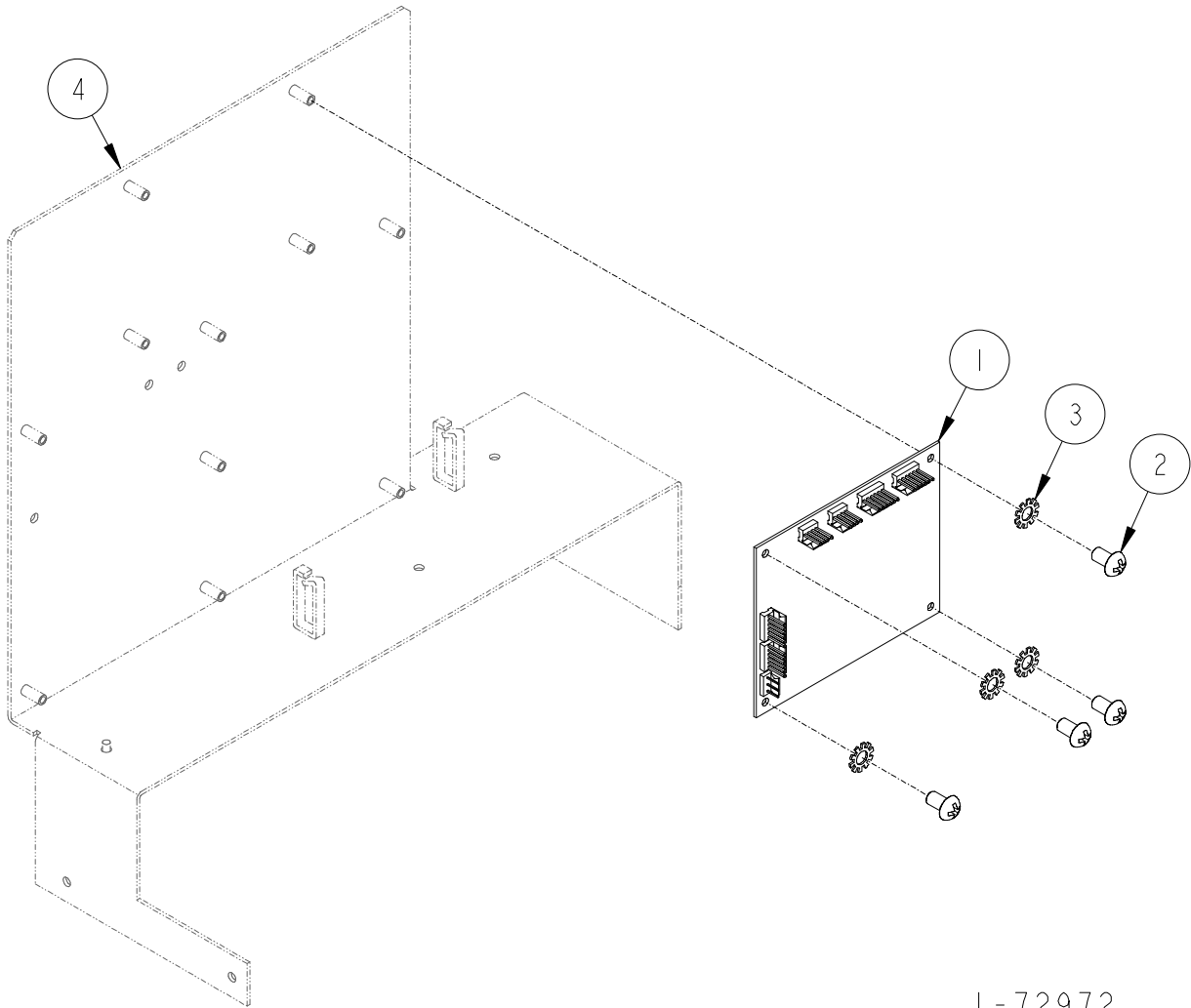
ITEM NO.	PART NO.	DESCRIPTION
1	1-422782	Router Board Assembly
2	88-50021	#6-32 x 1/4" Long Phillips Round Head Screw
3	03-50762	#6 Shakeproof Lockwasher
4	<u>For parts call out of:</u>	
	72764	H400C Series DPT Board Assembly
	72767	H400C Series INSIGHT Board Assembly
	72768	H300C Series Head Assembly
	<u>Reference for Tokheim internal use only:</u>	
	321096	Head Assembly

1-72973



5
A

ROUTER BOARD ASSEMBLY
(FOR TI*RFID OR BAR CODE SCANNER)
H400C SERIES



1-72972

ROUTER BOARD ASSEMBLY
(FOR TI*RFID OR BAR CODE SCANNER)
H400C SERIES

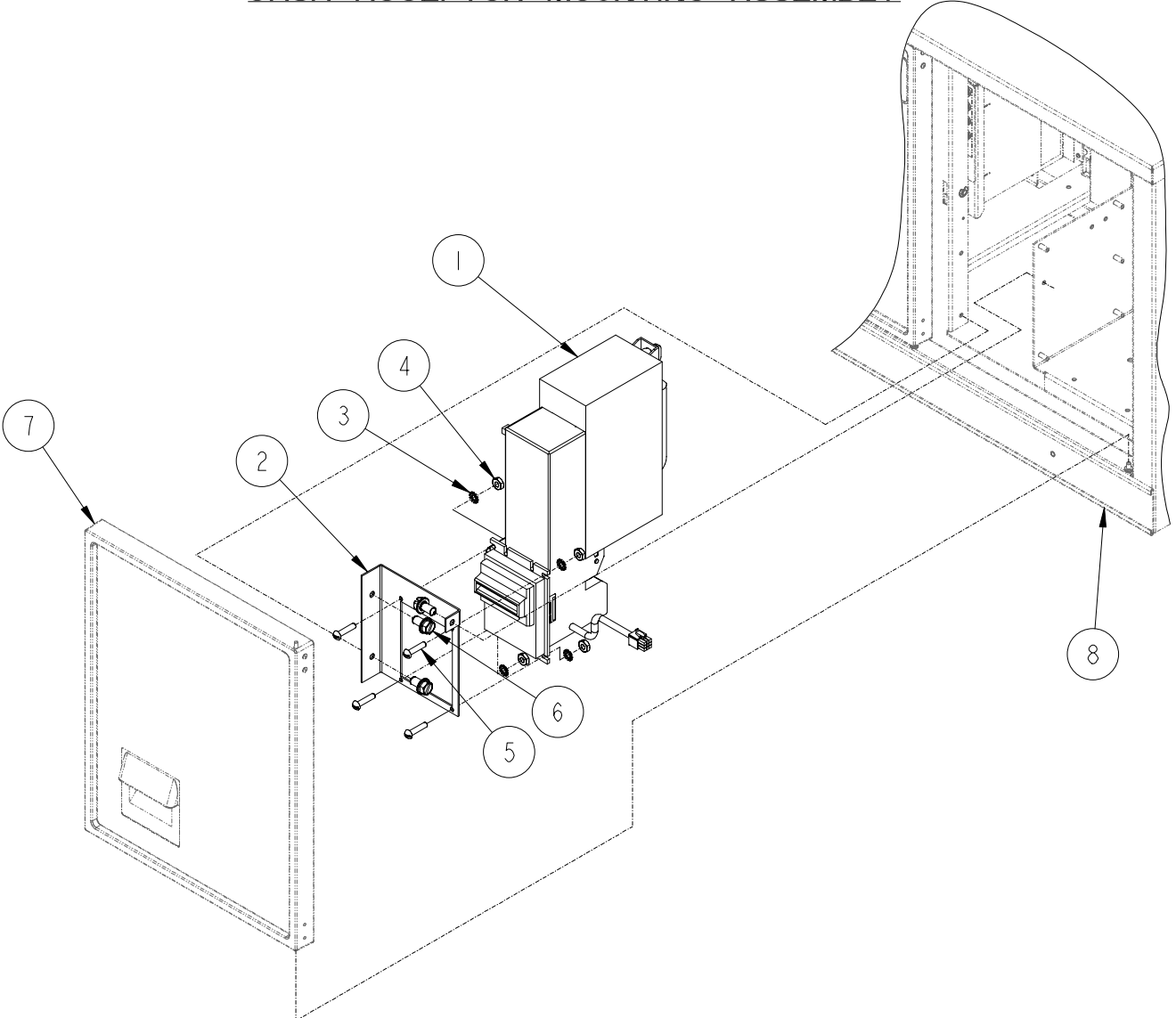
ITEM NO.	PART NO.	DESCRIPTION
1	1-422782	Router Board Assembly
2	88-50021	#6-32 x 1/4" Long Phillips Round Head Screw
3	03-50762	#6 Shakeproof Lockwasher
4	<u>For parts call out of:</u>	
	72755	H400C Series DPT Board Assembly
	72756	H400C Series INSIGHT Board Assembly
	72758	H400C Series Head Assembly
	<u>Reference for Tokheim internal use only:</u>	
	321084	Head Assembly

1-72972



5
A

CASH ACCEPTOR MOUNTING ASSEMBLY



1-72754

CASH ACCEPTOR MOUNTING ASSEMBLY

ITEM NO.	PART NO.	DESCRIPTION
1	2-321055	Locking Cassette Only
	3-321055	Cash Acceptor with Locking Cassette
2	1-321129	Cash Acceptor Bracket
3	04-50761	#8 Shakeproof Lockwasher
4	04-50211	#8-32 Hex Machine Nut
5	178-50001	#8-32 x 3/4" Long Round Head Machine Screw
6	69-55392	1/4 x 1/2" Long Hex Washer Head Tapping Screw
7	<u>For parts call out of Cash Acceptor Dial see 72776.</u>	
8	<u>For parts call out of Head Assembly see 72758.</u>	

Reference for Tokheim internal use only:

321084 Head Assembly

1-72754

