

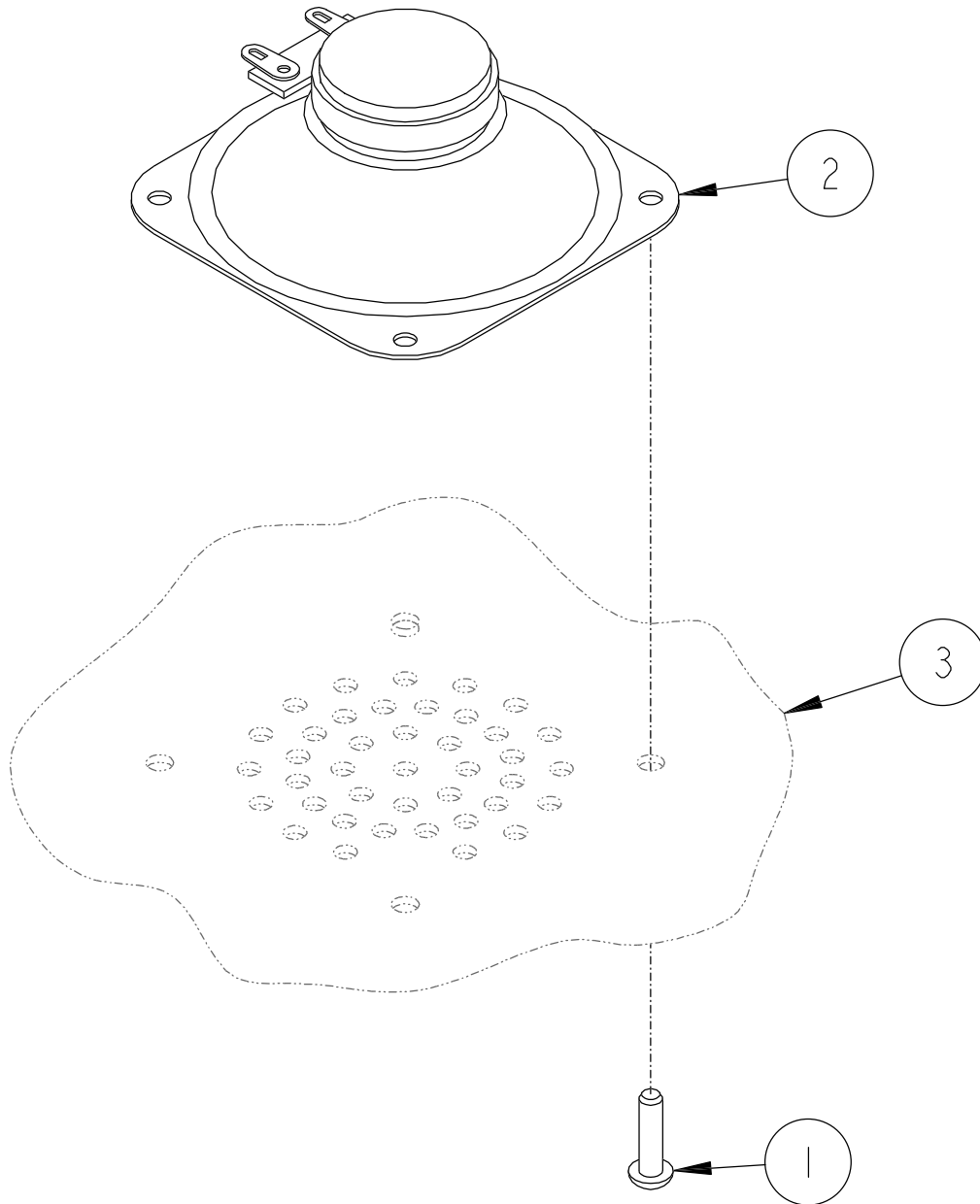
Section Six

Premier Parts Manual • H Models

Electronics

	Page Number		Page Number
Speaker Assembly	6-2, 6-3	<u>Wiring Schematic (Continued)</u>	
Options Power Supply Assembly	6-4, 6-5	H428B-R	6-34, 6-35
Wide Range Power Supply Assembly	6-6, 6-7	H412B-RB3 & H424B-RB3	6-36, 6-37
Card Cage Assembly	6-8, 6-9	H414B-REB & H428B-REB	6-38, 6-39
Electrical Component & Power Supply Assembly	6-10, 6-11	<u>AC Distribution Wiring Schmatic</u>	
<u>Motor Control & Power Supply Assembly</u>		30"	6-40, 6-41
MaxVac for Dispensers Without Cash Acceptor	6-12, 6-13	45"	6-42, 6-44
MaxVac for Dispensers With Cash Acceptor	6-14, 6-15	30" DPT Wiring Schmatic	6-44, 6-45
<u>Wiring Schematic</u>		30" Insight Wiring Schmatic	6-46, 6-47
H311B-R, H312B-R, H322B-R, H324B-R, H722B-R & H724B-R	6-16, 6-17	45" DPT Wiring Schmatic	6-48, 6-49
H311B-RB3/5 & H322B-RB3/5 ...	6-18, 6-19	45" Insight Wiring Schmatic	6-50, 6-51
H311B-S, H312B-S, H322B-S, H324B-S, H722B-S & H724B-S	6-20, 6-21	MaxVac Wiring Schmatic	6-52, 6-53
H413B-R	6-22, 6-23	Debit DPT Wiring Schmatic	6-54, 6-55
H413B-REB	6-24, 6-25		
H413B-S & H426B-S	6-26, 6-27		
H414B-R	6-28, 6-29		
H426B-R	6-30, 6-31		
H426B-REB	6-32, 6-33		

SPEAKER ASSEMBLY



4 - 72212

SPEAKER ASSEMBLY

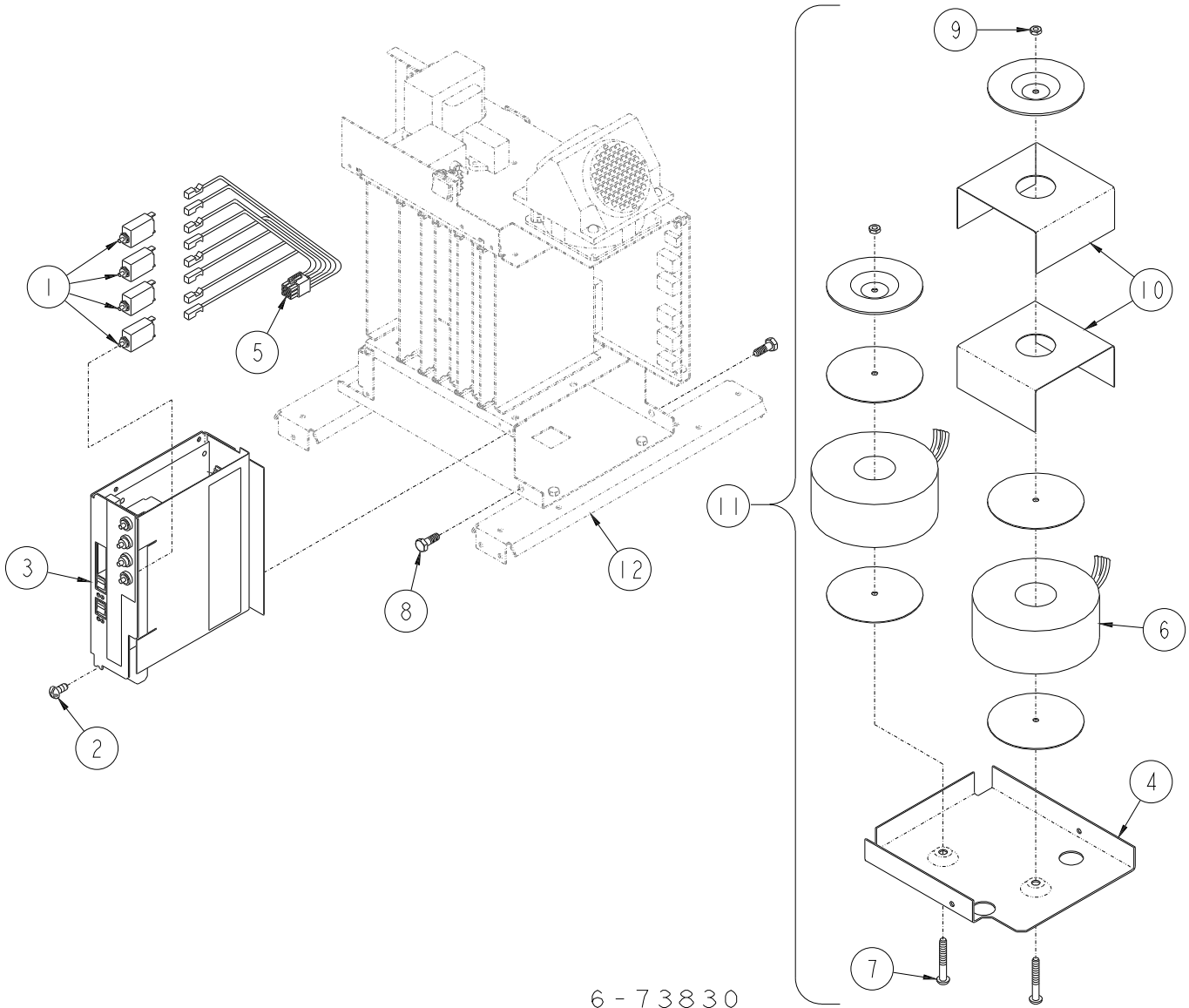
ITEM NO.	PART NO.	DESCRIPTION
-------------	-------------	-------------

- | | | |
|---|--|----------------------------|
| 1 | 2-132721 | Snap Rivet |
| 2 | 1-230783 | Speaker Baffle (Not Shown) |
| | 1-318170 | Speaker |
| 3 | <u>For parts call out of Raceway Assembly see 72218.</u> | |

Reference for Tokheim internal use only: Raceway Assembly

319396	45" (1st Design)
319625	30" (1st Design)
319742	45" (2nd Design)
319811	30" (2nd Design)

OPTIONS POWER SUPPLY ASSEMBLY



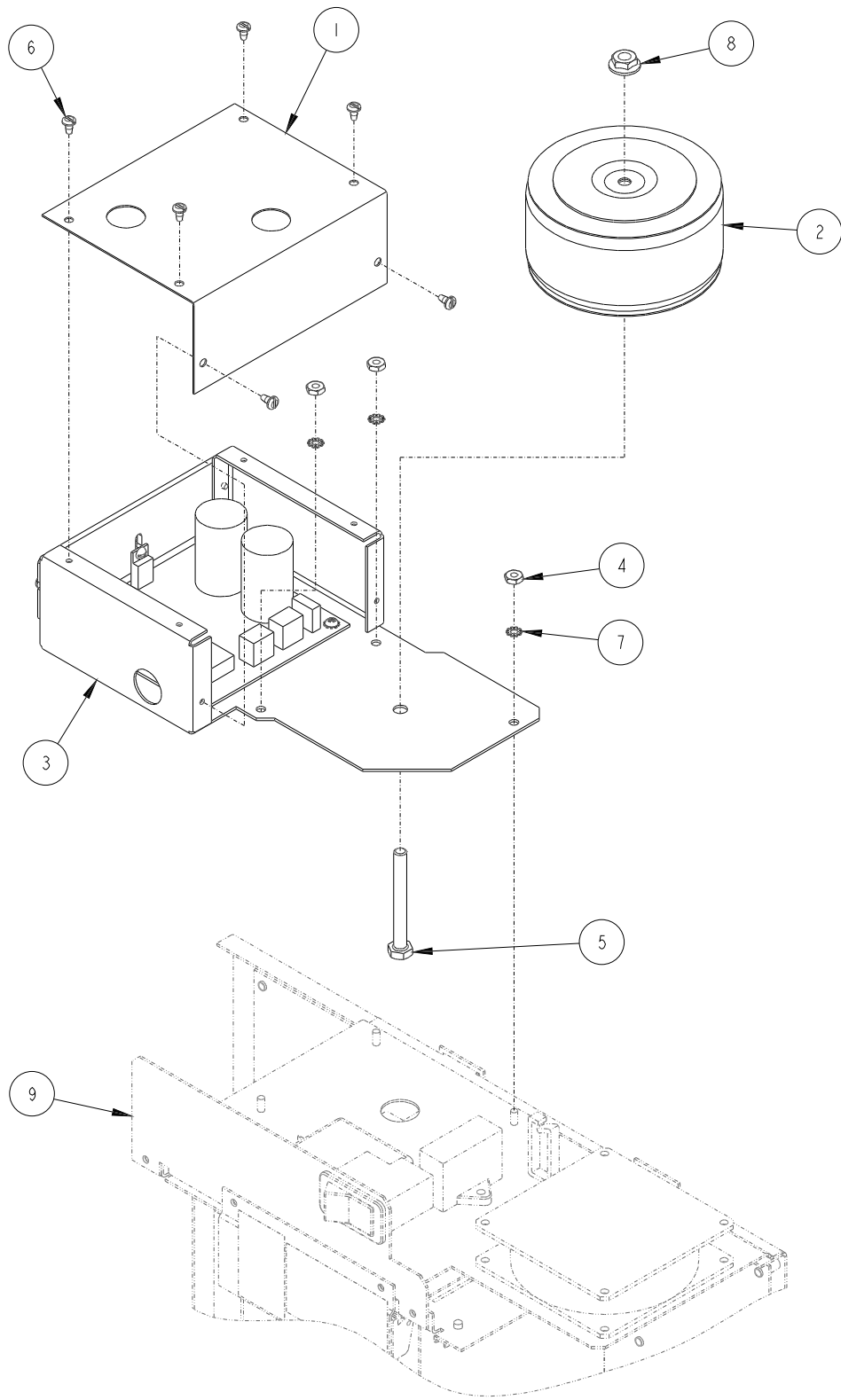
6-73830

OPTIONS POWER SUPPLY ASSEMBLY

ITEM NO.	PART NO.	DESCRIPTION
1		<u>Circuit Breaker (Dispenser Pay Terminal)</u>
	6-228135	2 Amp
	9-228135	3 Amp
2	1-230689	#6 x 3/8" Long Phillips Truss Head Self Tapping Screw
3	319407-11	Power Supply Board Assembly (Dispenser Pay Terminal)
4	1-319422	Transformer Bracket
5	319500-1	Circuit Breaker Harness Assembly (Includes Item #1)
6	319582-1	Transformer Assembly (DPT,Blender)
7	09-50361	1/4-20 x 2" Long Hex Head Cap Screw
8	10-51491	#14 x 1/2" Long P-K Hex Head Self Tapping Screw
9	01-54752	1/4-20 Whiz-Lock Nut
10	2-232278	Transformer Shield
11	319407-3	Transformer Assembly (Includes Item #3)
12		<u>For parts call out of Electrical Component & Power Supply Assembly see 73826.</u>

Reference for Tokheim internal use only: 319407 Card Cage Assembly

WIDE RANGE POWER SUPPLY ASSEMBLY



1-72370

POWER SUPPLY ASSEMBLY (WIDE RANGE)

ITEM NO.	PART NO.	DESCRIPTION
1	1-232747	Insulator Cover
2	319991-2	Transformer Assembly
3	<u>Power Supply Board Assembly</u>	
	421968-3	110 Volt
	421968-4	220 Volt
4	03-50211	#6-32 Hex Machine Nut
5	10-50361	1/4-20 x 2-1/4" Long Hex Head Cap Screw
6	10-50481	#6-32 x 1/4" Long Pan Head Thread Cutting Screw
7	03-50761	#6 Shakeproof Lockwasher
8	01-54752	1/4-20 M-F Flange Whiz Lock Nut
9	<u>For parts call out of Electrical Component & Power Supply Assembly see 73826</u>	

For complete Wide Range Power Supply order:

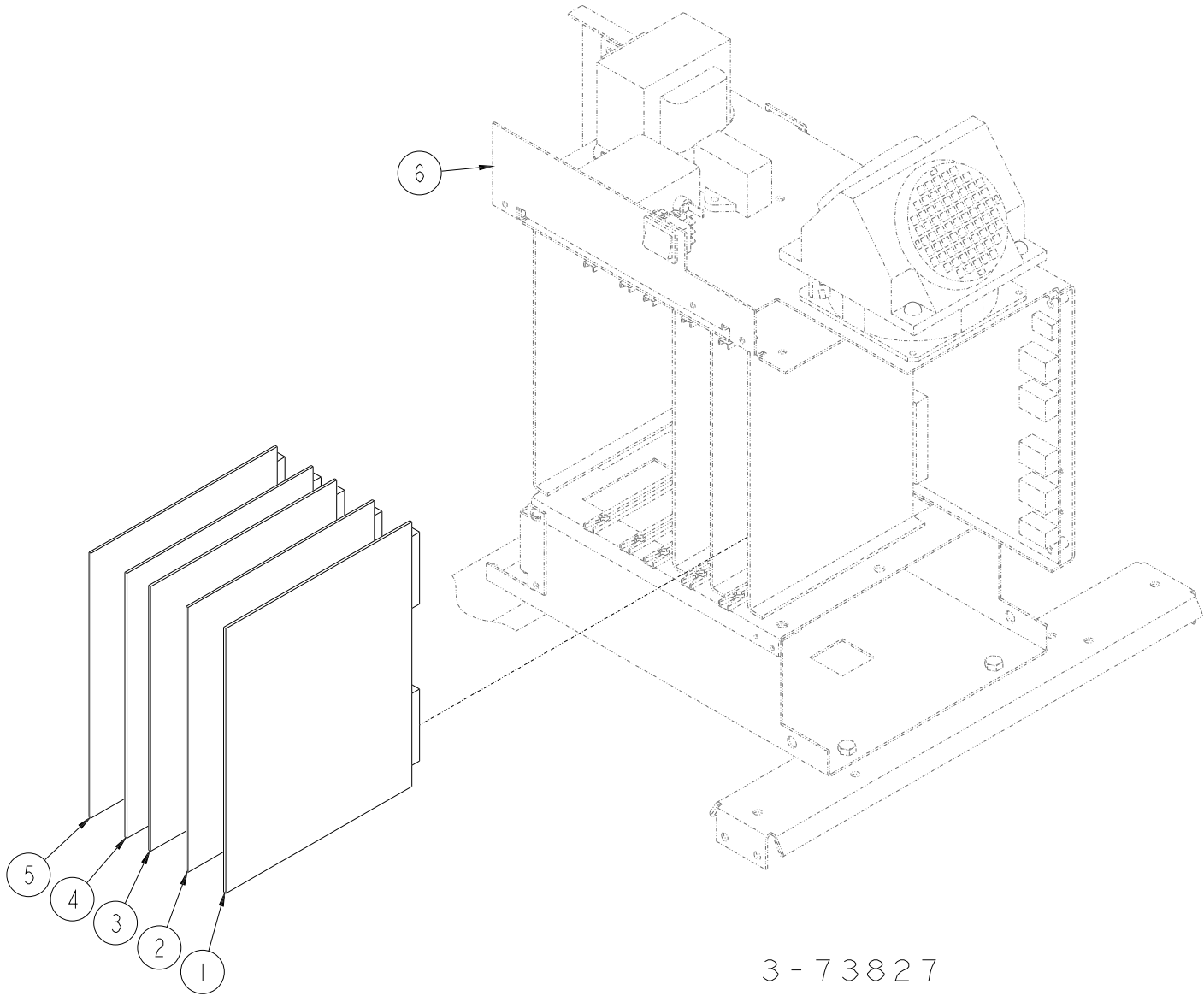
232804-1 120 Volt

232804-2 240 Volt

Reference for Tokheim internal use only:

319407 Card Cage Assembly

CARD CAGE ASSEMBLY



3-73827

CARD CAGE ASSEMBLY

PREMIER Parts Manual • H Models
Form 4814A, Version 5.0 July-1996 Rev. 2/26/99

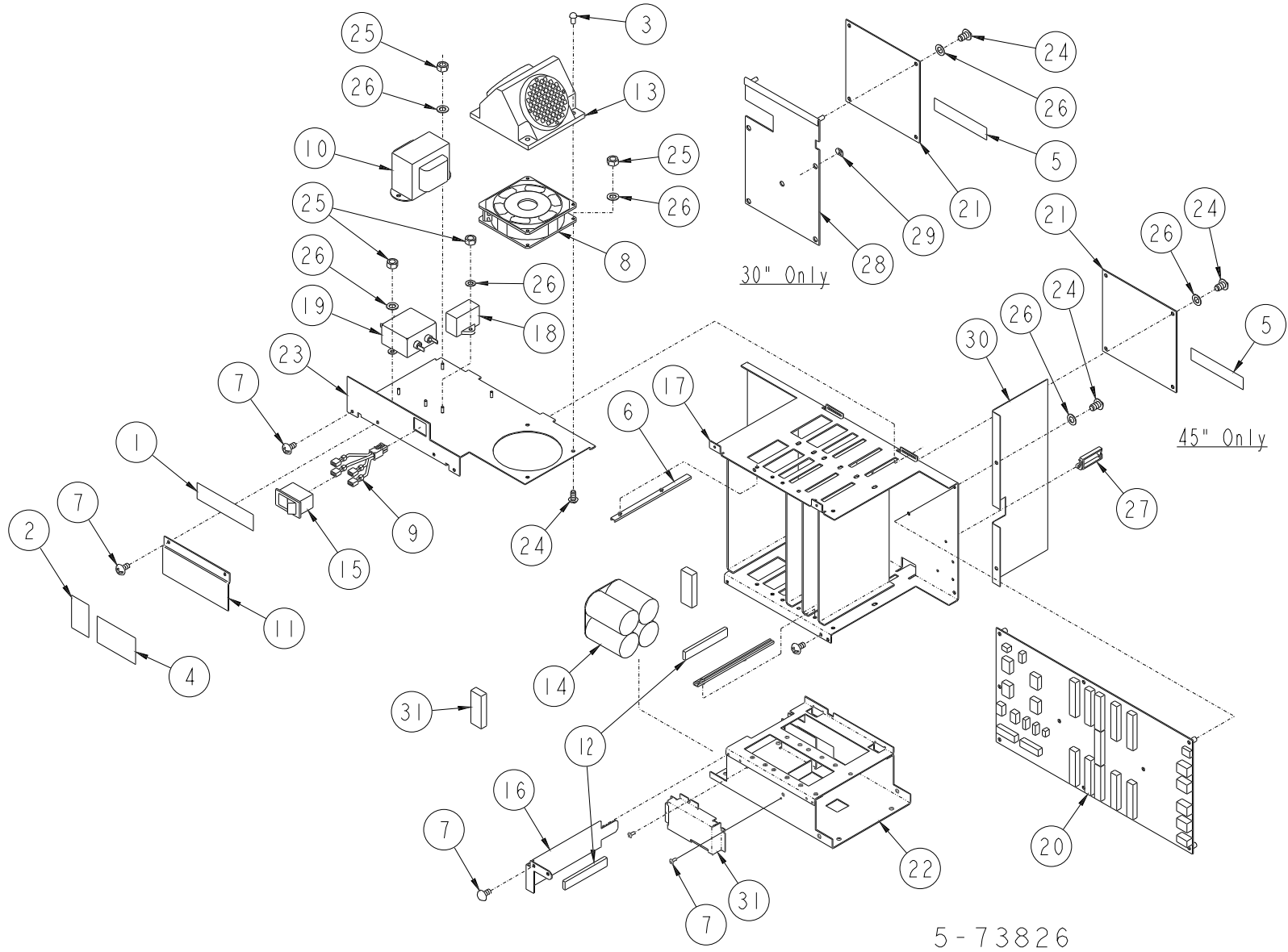
Tokheim Corporation
6-9

ITEM NO.	PART NO.	DESCRIPTION
Model: H311B-R, H312B-R, H322B-R & H324B-R H311B-S, H312B-S, H322B-S & H324B-S		
1	421084-1	Relay Board Assembly
3	<u>Multiplex Board Assembly</u>	
	421420-4	Without MAXVAC
	421420-1	MAXVAC
4	421124-6	Expanded Computer Board Assembly (Includes Domestic Software)
<u>EPROM</u>		
	511-314950	Domestic Software
	600-314950	Thailand Software
	631-314950	Universal Software
5	<u>Interface Board Assembly</u>	
	421087-1	Domestic
	421087-2	International
6	<u>For parts call out of Electrical Component & Power Supply Assembly see 73826.</u>	
Model: H311B-B3/B5 & H322B-B3/B5		
1	421084-2	Relay Board Assembly
2	421284-1	Valve Interface Board Ass'y.
3	<u>Blender Control Board Assembly</u>	
	421186-1	Without MAXVAC
	421574-1	MAXVAC
4	421124-6	Expanded Computer Board Assembly (Includes Domestic Software)
<u>EPROM</u>		
	511-314950	Domestic Software
	600-314950	Thailand Software
	631-314950	Universal Software
5	<u>Interface Board Assembly</u>	
	421087-1	Domestic
	421087-2	International
6	<u>For parts call out of Electrical Component & Power Supply Assembly see 73826.1</u>	
Model: H411B-R, H413B-R, H422B-R & H426B-R H411B-S, H413B-S, H422B-S & H426B-S		
1	421084-1	Relay Board Assembly
2	421084-3	Relay Board Assembly

ITEM NO.	PART NO.	DESCRIPTION
3	<u>Multiplex Board Assembly</u>	
	421420-4	Without MAXVAC
	421420-1	MAXVAC
4	421124-6	Expanded Computer Board Assembly (Includes Domestic Software)
<u>EPROM</u>		
	511-314950	Domestic Software
	600-314950	Thailand Software
	631-314950	Universal Software
5	<u>Interface Board Assembly</u>	
	421087-1	Domestic
	421087-2	International
6	<u>For parts call out of Electrical Component & Power Supply Assembly see 73826.</u>	
Model: H414B-R & H428B-R		
1	421084-1	Relay Board Assembly
2	421084-1	Relay Board Assembly
3	<u>Multiplex Board Assembly</u>	
	421420-4	Without MAXVAC
	421420-1	MAXVAC
4	421124-6	Expanded Computer Board Assembly (Includes Domestic Software)
<u>EPROM</u>		
	511-314950	Domestic Software
	600-314950	Thailand Software
	631-314950	Universal Software
5	<u>Interface Board Assembly</u>	
	421087-1	Domestic
	421087-2	International
6	<u>For parts call out of Electrical Component & Power Supply Assembly see 73826.</u>	
Model: H411B-REB, H413B-REB, H422B-REB, H422B-RB3 & H426B-REB		
1	421084-2	Relay Board Assembly
2	421284-1	Valve Interface Board Ass'y.

ITEM NO.	PART NO.	DESCRIPTION
3	<u>Blender Control Board Assembly</u>	
	421186-1	Without MAXVAC
	421574-1	MAXVAC
4	421124-6	Expanded Computer Board Assembly (Includes Domestic Software)
<u>EPROM</u>		
	511-314950	Domestic Software
	600-314950	Thailand Software
	631-314950	Universal Software
5	<u>Interface Board Assembly</u>	
	421087-1	Domestic
	421087-2	International
6	<u>For parts call out of Electrical Component & Power Supply Assembly see 73826.</u>	
Model: H412B-RB3, H414B-REB, H424B-RB3 & H428B-REB		
1	421084-2	Relay Board Assembly
2	421284-3	Valve Interface Board Ass'y.
3	<u>Blender Control Board Assembly</u>	
	421186-1	Without MAXVAC
	421574-1	MAXVAC
4	421124-6	Expanded Computer Board Assembly (Includes Domestic Software)
<u>EPROM</u>		
	511-314950	Domestic Software
	600-314950	Thailand Software
	631-314950	Universal Software
5	<u>Interface Board Assembly</u>	
	421087-1	Domestic
	421087-2	International
6	<u>For parts call out of Electrical Component & Power Supply Assembly see 73826.</u>	
<u>Reference: 319407 Card Cage Assembly</u>		

ELECTRICAL COMPONENT & POWER SUPPLY ASSEMBLY



5-73826

ELECTRICAL COMPONENT & POWER SUPPLY ASSEMBLY

PREMIER Parts Manual • H Models
Form 4814A, Version 5.0 July 1996 Rev. 2/26/99

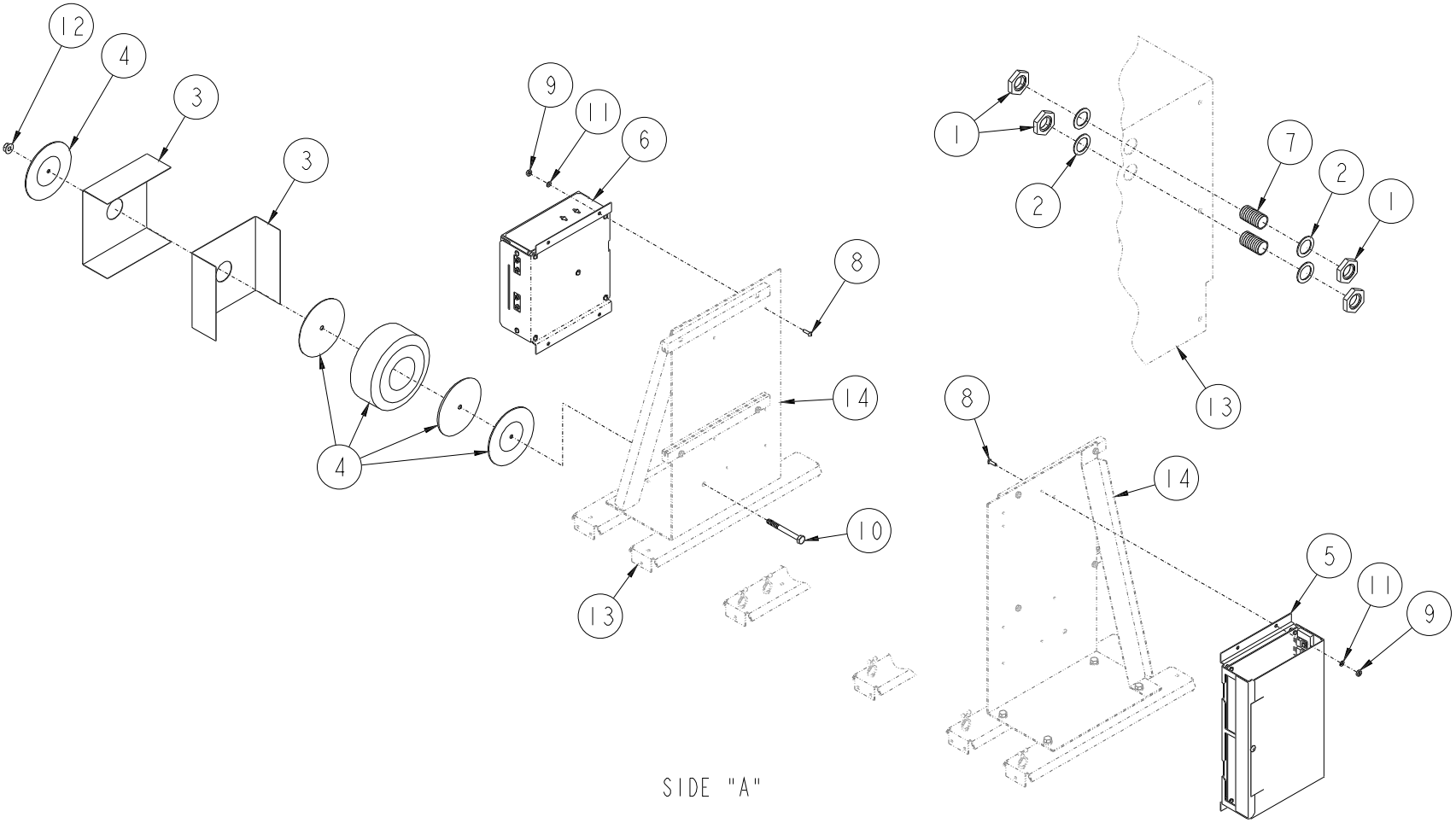
Tokheim Corporation
6-11

ITEM NO.	PART NO.	DESCRIPTION
1	1-130404	Warning Label
2	1-132756	Label (Test Interface Board)
3	1-132721	Snap Rivet
4	1-226445	Warning Label
5	1-227816	Label (Danger Hi Voltage)
6	2-227818	Card Guide
7	1-230689	#6 x 3/8" Long Phillips Truss Head Self Tapping Screw
8	<u>Fan</u>	
	1-230737	120 Volt
	2-230737	240 Volt
9	231192-1	AC On/Off Harness Assy (Includes Item #15)
10	231817-1	Transformer Assembly
11	1-231849	Circuit Board Retainer
12	1-232722	Cushion
13	<u>Heater</u>	
	1-232135	120 Volt
	3-232135	240 Volt
14	12-315637	Battery Pack
15	1-319961	AC On/Off Switch

ITEM NO.	PART NO.	DESCRIPTION
16	1-319362	Battery Retainer
17	319374-1	Card Cage Weld Assembly
18	<u>Surge Protector Assembly</u>	
	319473-1	120 Volt
	319473-2	240 Volt
19	319481-1	Filter Assembly
20	420935-1	Mother Board Assembly
21	420955-1	AC Distribution Board Assembly
22	421003-1	Card Cage Base Weld Assembly
23	320533-1	AC Distribution Bracket & Stud Weld
24	92-50021	#6-32 x 3/8" Long Phillips Round Head Machine Screw
25	3-50211	#6-32 Hex Machine Nut
26	3-50761	#6 Shakeproof Lockwasher
27	1-132718	Cable Retainer
28	232241-1	AC Board Support Assembly (30" Only)
29	1-232258	Stud Receiver (30" Only)
30	1-319686	AC Board Shield (30" Only)
31	5-227852	Cushion

Reference for Tokheim internal use only:
319407 Card Cage Assembly

MOTOR CONTROL & POWER SUPPLY ASSEMBLY (MAXVAC FOR DISPENSERS WITHOUT CASH ACCEPTOR)



SIDE "A"

3-73893

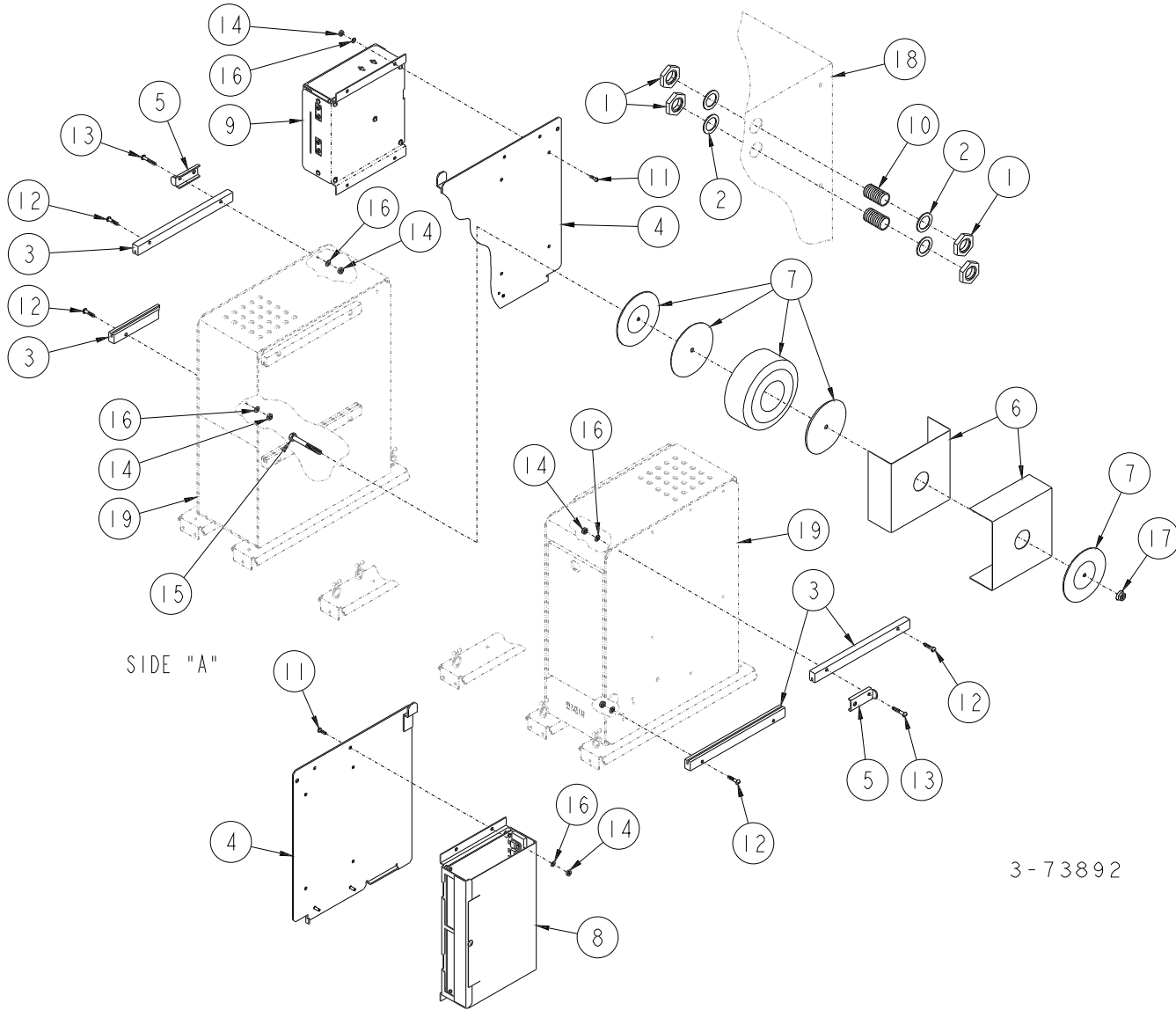
MOTOR CONTROL & POWER SUPPLY ASSEMBLY

MaxVac for Dispensers Without Cash Acceptor

ITEM NO.	PART NO.	DESCRIPTION
1	1-130590	1/2" Conduit Nut
2	1-132715	Conduit Washer
3	1-232278	Transformer Cover
4	318942-2	Transformer Assembly
5	319682-1	MaxVac Motor Control Assembly (Board)
6	319683-1	MaxVac Power Supply Assembly (Board)
7	<u>Motor Pump Harness Assembly</u>	
	319685-1	Sensors
	319685-2	Power
8	96-50001	#6-32 x 1/2" Long Round Head Machine Screw
9	03-50211	#6-32 Machined Hex Nut
10	10-50361	1/4-20 x 2-1/4" Long Hex Head Cap Screw
11	03-50762	#6 Shakeproof Lockwasher
12	01-54752	1/4-20 Whiz Lock Nut
13	<u>For parts call out of Head Assembly see 73829.</u>	
14	<u>For parts call out of Slide Support Assembly see 73850.</u>	

Reference for Tokheim internal use only: 319393 Head Assembly

MOTOR CONTROL & POWER SUPPLY ASSEMBLY (MAXVAC FOR DISPENSERS WITH CASH ACCEPTOR)



SIDE "A"

3-73892

MOTOR CONTROL & POWER SUPPLY ASSEMBLY

MaxVac for Dispensers With Cash Acceptor

ITEM NO.	PART NO.	DESCRIPTION
1	1-130590	1/2" Conduit Nut
2	1-132715	Conduit Washer
3	1-231873	Vault Slide Retainer
4	232246-1	Slide Plate Weld Assembly
5	1-232249	Slide Plate Stop (Front)
6	1-232278	Transformer Cover
7	318942-2	Transformer Assembly
8	319682-1	MaxVac Motor Control Assembly (Board)
9	319683-1	MaxVac Power Supply Assembly (Board)
10	<u>Motor Pump Harness Assembly</u>	
	319685-1	Power
	319685-2	Sensors
11	96-50001	#6-32 x 1/2" Long Round Head Machine Screw
12	100-50001	#6-32 x 3/4" Long Round Head Machine Screw
13	104-50001	#6-32 x 1" Long Round Head Machine Screw
14	03-50211	#6-32 Machined Hex Nut
15	10-50361	1/4-20 x 2-1/4" Long Hex Head Cap Screw
16	03-50762	#6 Shakeproof Lockwasher

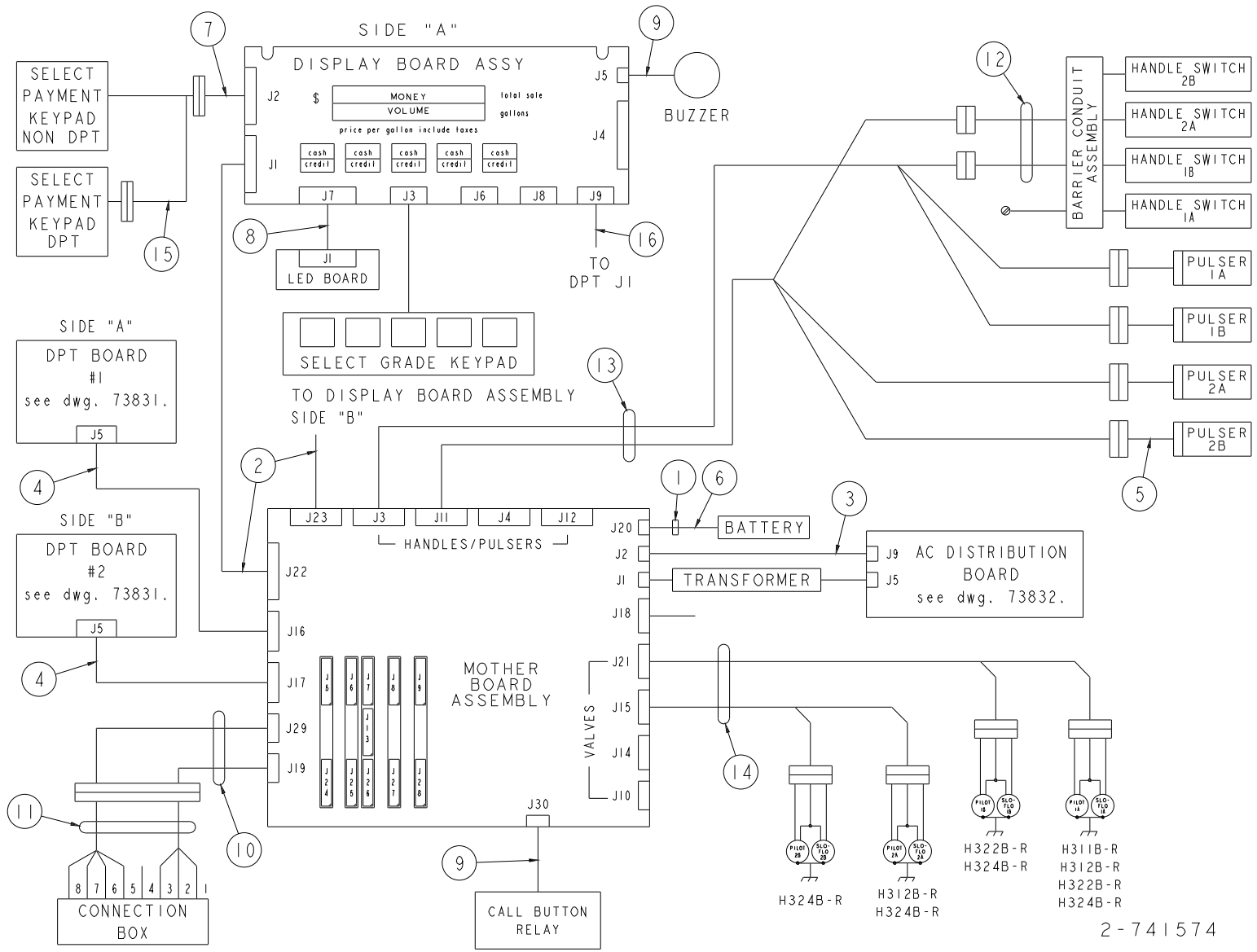
ITEM NO.	PART NO.	DESCRIPTION
17	01-54752	1/4-20 Whiz Lock Nut
18	<u>For parts call out of Head Assembly see 73829.</u>	
19	<u>For parts call out of Cash Acceptor Assembly see 73838.</u>	

Reference for Tokheim internal use only: 319393 Head Assembly

3-73892

WIRING SCHEMATIC

(H311B-R, H312B-R, H322B-R, H324B-R, H722B-R & H724B-R)



WIRING SCHEMATIC

H311B-R, H312B-R, H322B-R, H324B-R, H722B-R & H724B-R

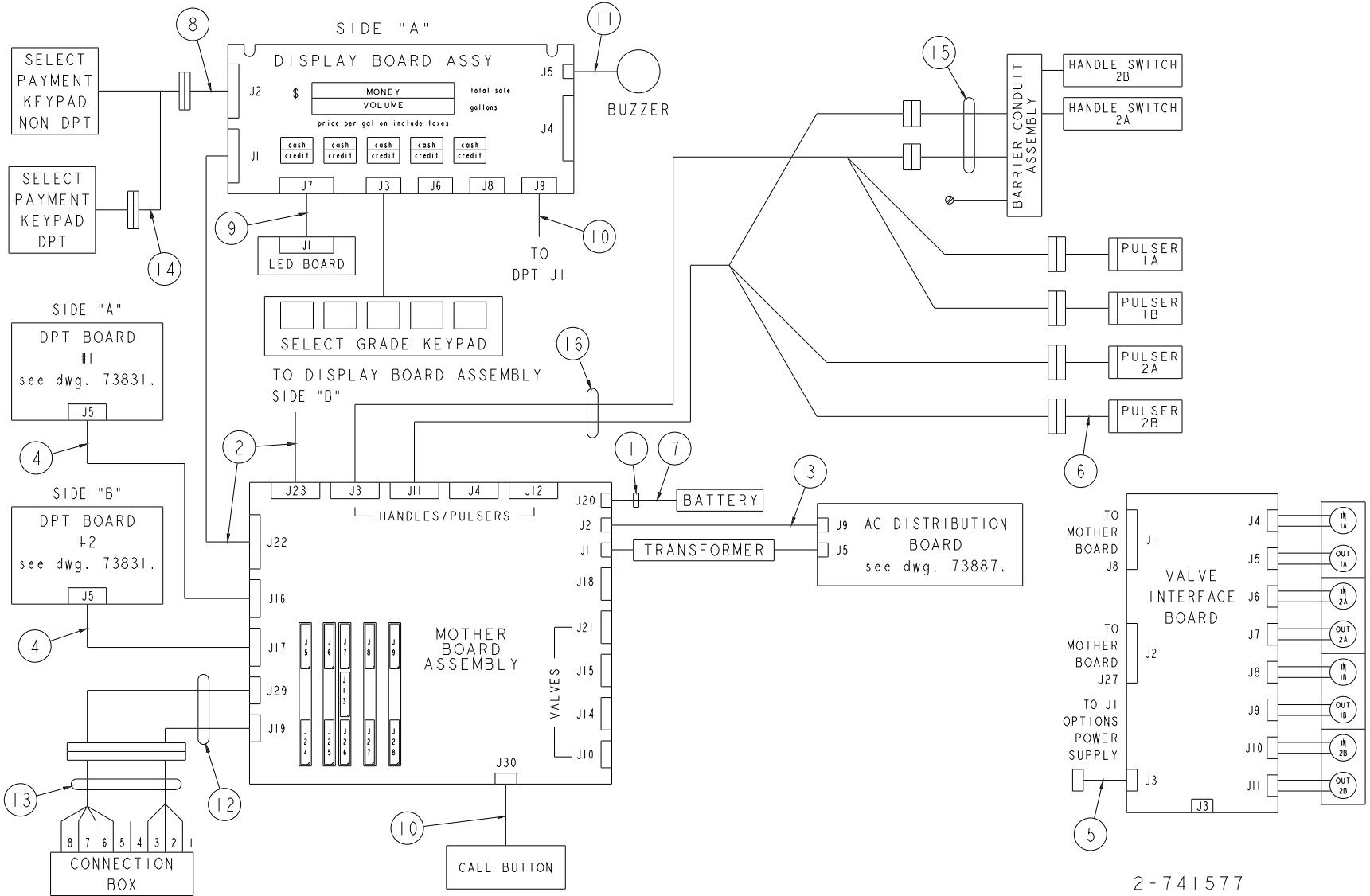
PREMIER Parts Manual • H Models
Form 4814A, Version 5.0 July 1996 Rev. 2/26/99

Tokheim Corporation
6-17

ITEM NO.	PART NO.	DESCRIPTION
1	1-128725	Cable Tie
2	1-227773	Display Harness Assembly
3	231186-1	Harness Assembly (AC Distribution To Mother Board)
4	231194-1	DPT Harness Assembly
5	231818-1	Pulser Harness Assembly
6	231893-1	Battery Harness Assembly
7	232163-1	Keypad Harness Assembly
8	232203-1	Led Harness Assembly
9	319483-1	Valance/Intercom Harness Assembly
10	319588-1	AC & DC Connection Box Harness Assembly (Upper)
11	319589-2	AC & DC Connection Box Harness Assembly (Lower)
12	<u>Barrier Conduit Assembly (See Dwg. No. 72213)</u>	
13	<u>Handle/Pulser Harness Assembly</u>	
	421458-1	All Models Except Listed Below
	421014-1	H722B-R & H724B-R
14	<u>Valve Harness Assembly</u>	
	421460-1	All Models Except Listed Below
	421025-1	H722B-R & H724B-R

ITEM NO.	PART NO.	DESCRIPTION
15	319657-1	DPT Dial Harness Assembly
16	232248-1	Buzzer Interface Harness Assembly
<u>Reference for Tokheim internal use only: System Wiring Diagram</u>		
	421445	All Models Except Listed Below
	421814	H722B-R & H724B-R

WIRING SCHEMATIC (H311B-B3/B5 & H322B-B3/B5)



2-741577

WIRING SCHEMATIC

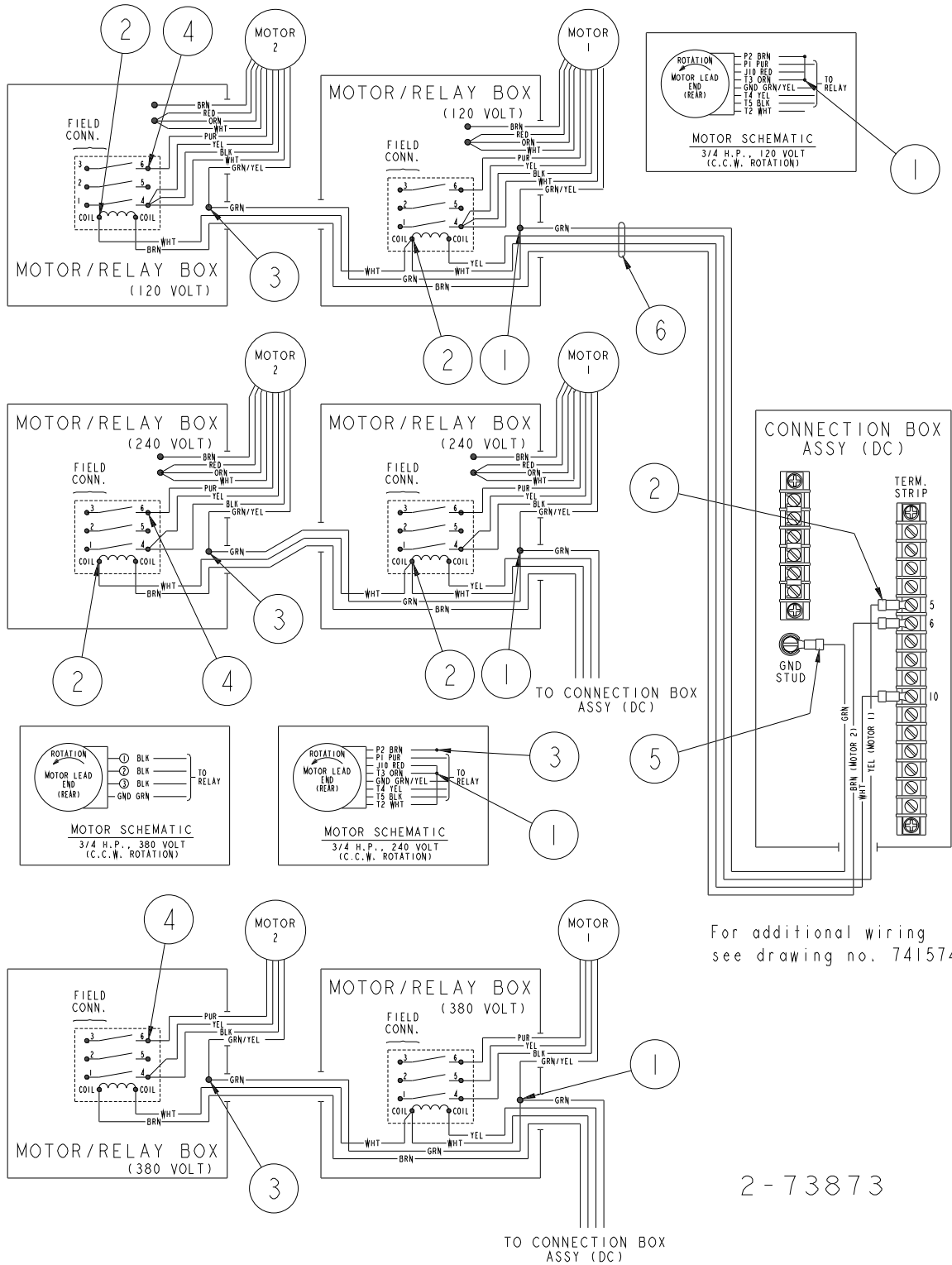
H311B-B3/B5 & H322B-B3/B5

ITEM NO.	PART NO.	DESCRIPTION
1	1-128725	Cable Tie
2	1-227773	Display Harness Assembly
3	231186-1	Harness Assembly (AC Distribution To Mother Board)
4	231194-1	DPT Harness Assembly
5	231802-1	Power Supply/Valve Interface Board Assembly
6	231818-1	Pulser Harness Assembly
7	231893-1	Battery Harness Assembly
8	232163-1	Keypad Harness Assembly
9	232203-1	Led Harness Assembly
10	232248-1	Buzzer Interface Harness Assembly
11	319483-1	Valance/Intercom Harness Assembly
12	319588-1	AC & DC Connection Box Harness Assembly (Upper)
13	319589-2	AC & DC Connection Box Harness Assembly (Lower)
14	319657-1	DPT Dial Harness Assembly
15	<u>Barrier Conduit Assembly (See Dwg. No. 72213)</u>	
16	421458-1	Handle/Pulser Harness Assembly

Reference for Tokheim internal use only: 421445 System Wiring Diagram

WIRING SCHEMATIC

(H311B-S, H312B-S, H322B-S, H324B-S, H722B-S & H724B-S)



WIRING SCHEMATIC**H311B-S, H312B-S, H322B-S, H324B-S, H722B-S & H724B-S**

ITEM NO.	PART NO.	DESCRIPTION
1	1-127473	Wire Connector
2	4-128115	Wire Terminal
3	1-129223	Wire Connector
4	1-224494	Wire Terminal
5	2-224494	Wire Terminal
6	<u>Relay Box Harness Assembly</u>	
	319621-2	H312B-S & H324B-S
	319621-3	H311B-S, H322B-S & H722B-S
	319621-4	H724B-S

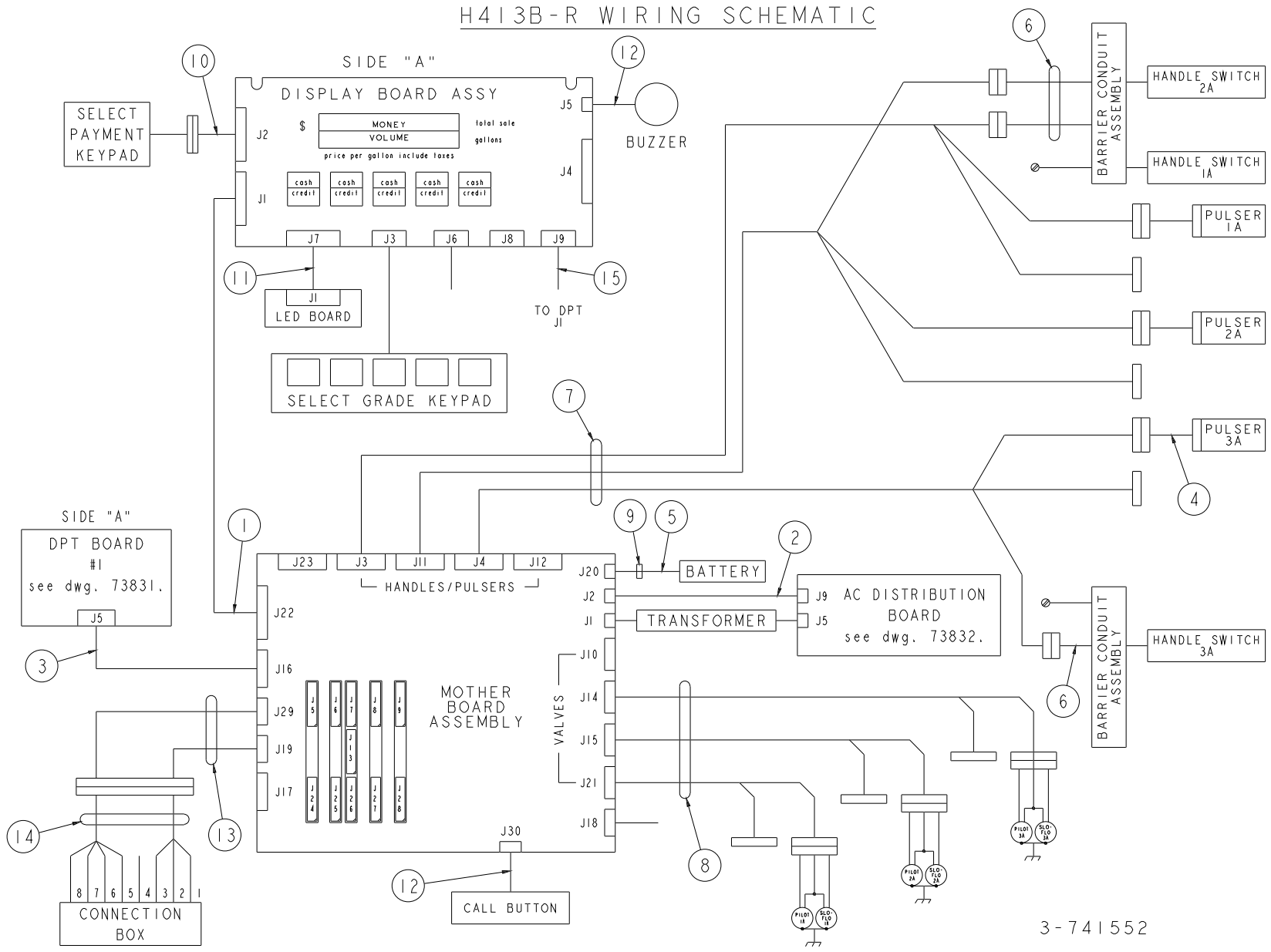
Reference for Tokheim internal use only:

421445 System Wiring Diagram

Chassis Assembly (see Serial Break List 71144)

319619 30" (1st Design)
 319810 30" (2nd Design)
 319741 H722B-S & H724B-S

H413B-R WIRING SCHEMATIC



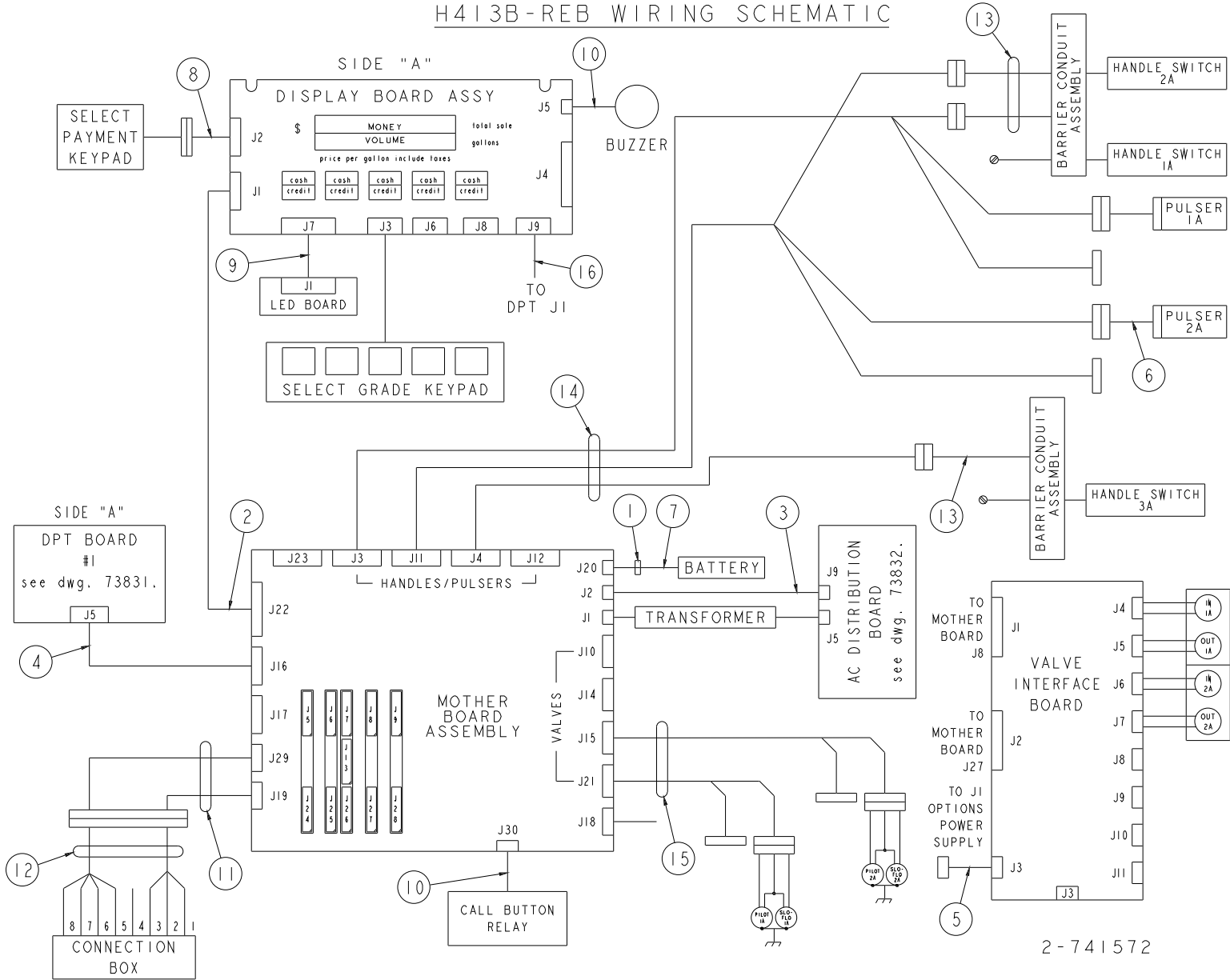
3-741552

WIRING SCHEMATIC H413B-R

ITEM NO.	PART NO.	DESCRIPTION
1	1-227773	Display Harness Assembly
2	231186-1	Harness Assembly (AC Distribution To Mother Board)
3	231194-1	DPT Harness Assembly
4	231818-1	Pulser Harness Assembly
5	231893-1	Battery Harness Assembly
6	<u>Barrier Conduit Assembly (See Dwg. No. 72213)</u>	
7	421014-1	Handle/Pulser Harness Assembly
8	421025-1	Valve Harness Assembly
9	1-128725	Cable Tie
10	232163-1	Keypad Harness Assembly
11	232203-1	Led Harness Assembly
12	319483-1	Valance/Intercom Harness Assembly
13	319588-1	AC & DC Conection Box Harness Assembly (Upper)
14	319589-2	AC & DC Conection Box Harness Assembly (Lower)
15	232248-1	Buzzer Interface Harness Assembly

Reference for Tokheim internal use only: 420881 System Wiring Diagram

H413B-REB WIRING SCHEMATIC



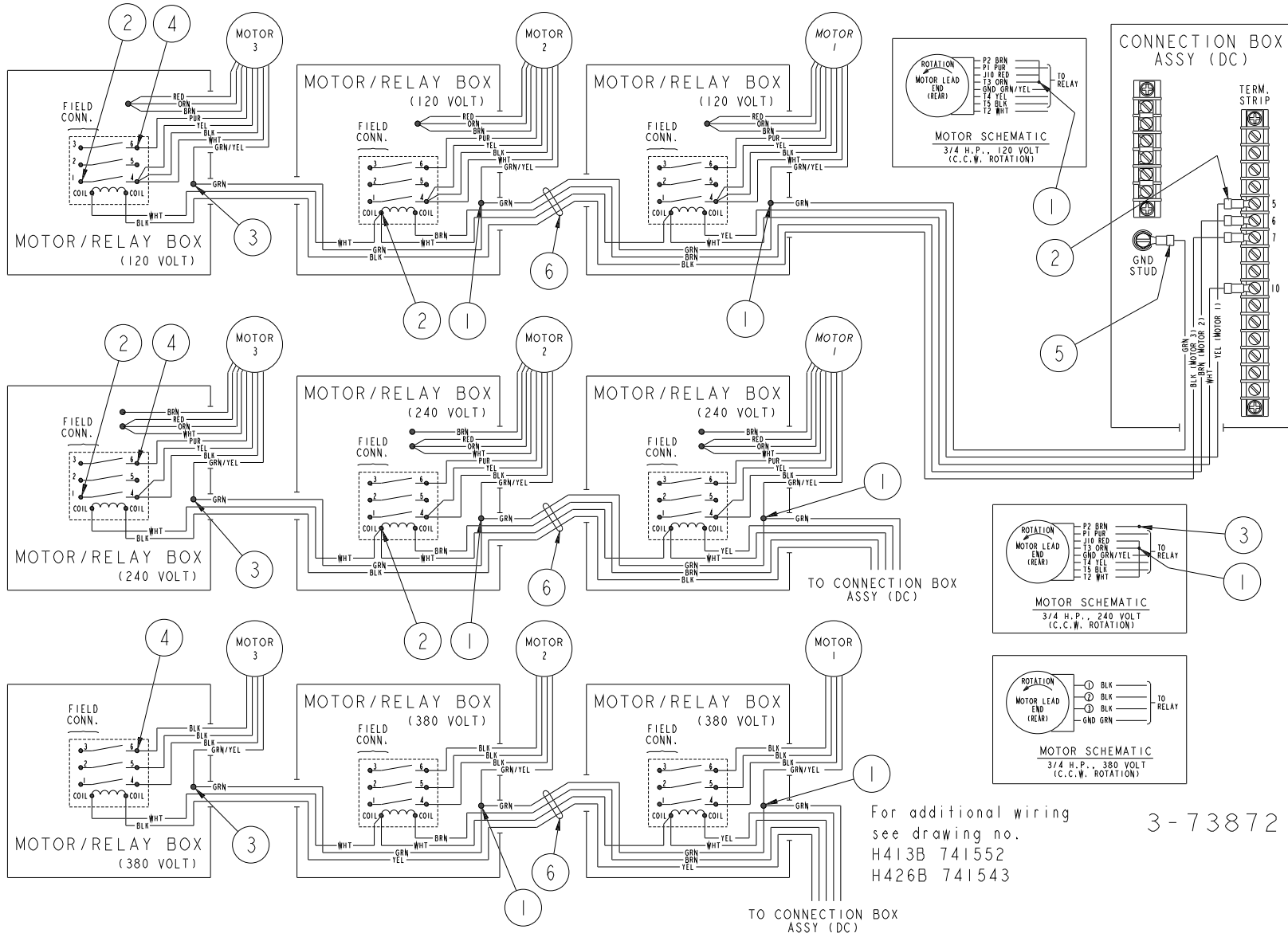
2-741572

WIRING SCHEMATIC H413B-REB

ITEM NO.	PART NO.	DESCRIPTION
1	1-128725	Cable Tie
2	1-227773	Display Harness Assembly
3	231186-1	Harness Assembly (AC Distribution To Mother Board)
4	231194-1	DPT Harness Assembly (Side A)
5	231802-1	Power Supply/Valve Interface Board Assembly
6	231818-1	Pulser Harness Assembly
7	231893-1	Battery Harness Assembly
8	232163-1	Keypad Harness Assembly
9	232203-1	Led Harness Assembly
10	319483-1	Valance/Intercom Harness Assembly
11	319588-1	AC & DC Connection Box Harness Assembly (Upper)
12	319589-2	AC & DC Connection Box Harness Assembly (Lower)
13	<u>Barrier Conduit Assembly (See Dwg. No. 72213)</u>	
14	421014-1	Handle/Pulser Harness Assembly
15	421025-1	Valve Harness Assembly
16	232248-1	Buzzer Interface Harness Assembly

Reference for Tokheim internal use only: 421468 System Wiring Diagram

H413B-S & H426B-S WIRING SCHEMATIC



For additional wiring
see drawing no.
H413B 741552
H426B 741543

3-73872

WIRING SCHEMATIC H413B-S & H426B-S

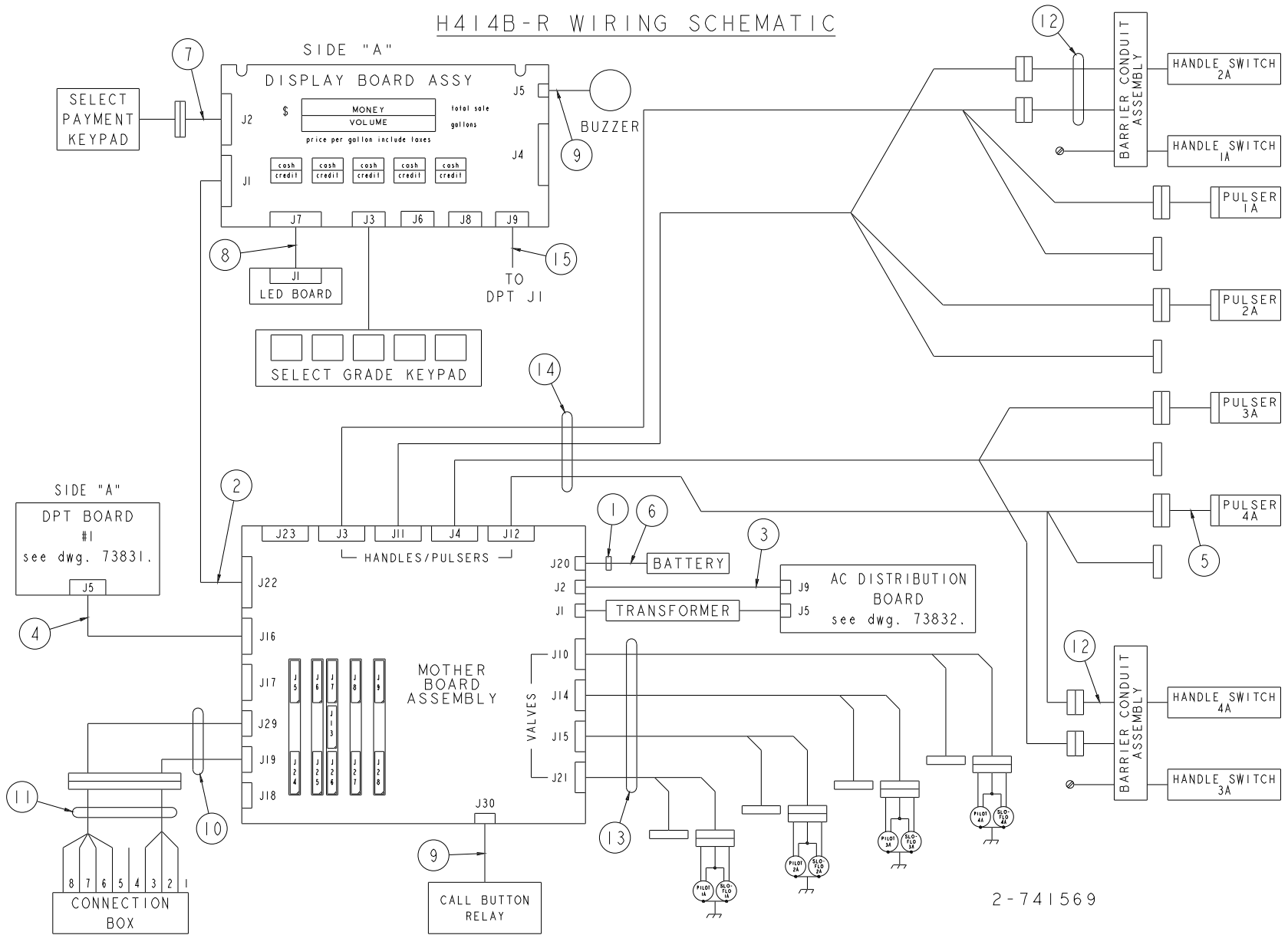
ITEM NO.	PART NO.	DESCRIPTION
----------	----------	-------------

1	1-127473	Wire Connector
2	4-128115	Wire Terminal
3	1-129223	Wire Connector
4	1-224494	Wire Terminal
5	2-224494	Wire Terminal
6	319621-1	Relay Box Harness Assembly

Reference for Tokheim internal use only: Chassis Assembly (see Serial Break List 71144)

319394	1st Design
319741	2nd Design
420881	System Wiring Diagram

H414B-R WIRING SCHEMATIC



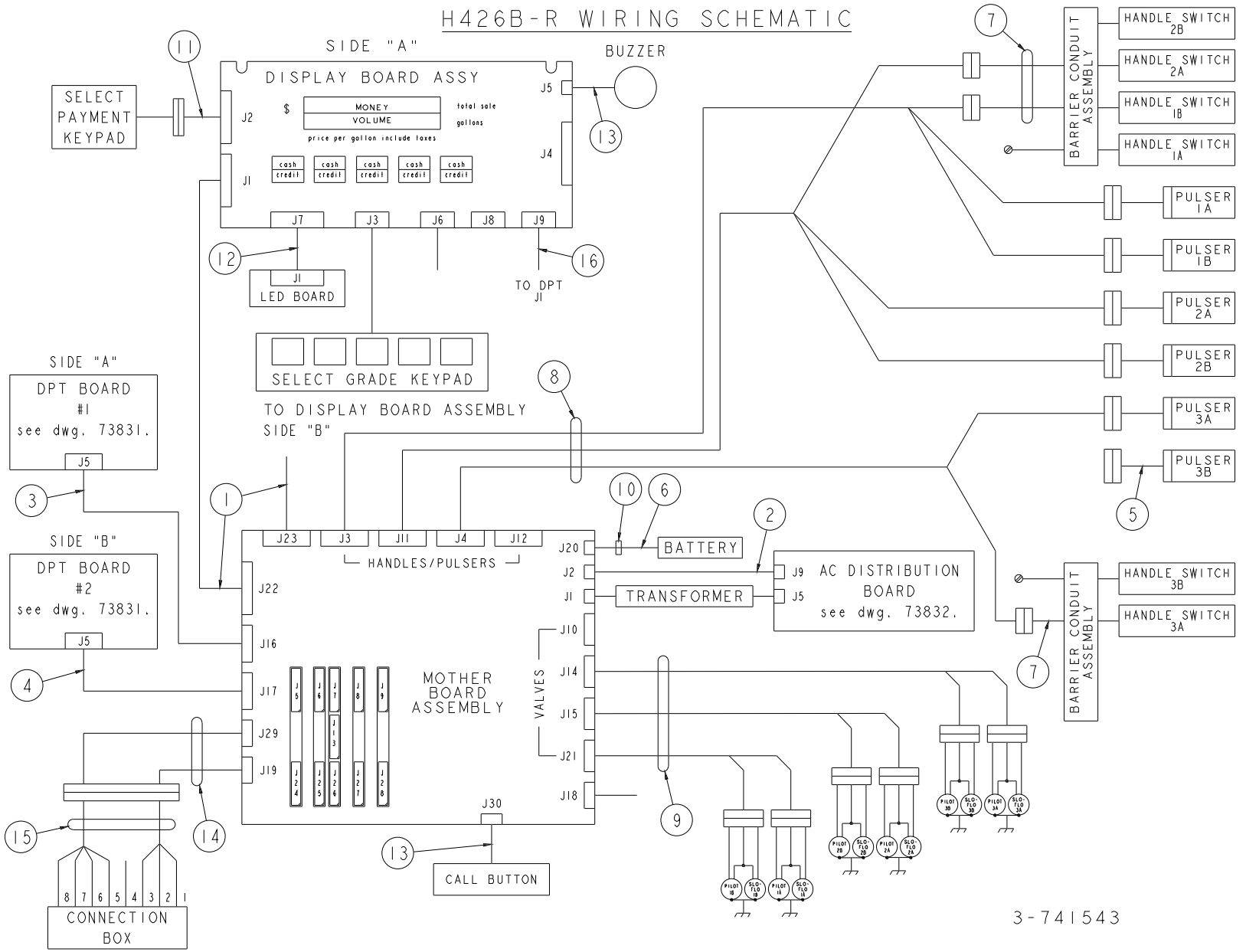
2-741569

WIRING SCHEMATIC H414B-R

ITEM NO.	PART NO.	DESCRIPTION
1	1-128725	Cable Tie
2	1-227773	Display Harness Assembly
3	231186-1	Harness Assembly (AC Distribution To Mother Board)
4	231194-1	DPT Harness Assembly (Side A)
5	231818-1	Pulser Harness Assembly
6	231893-1	Battery Harness Assembly
7	232163-1	Keypad Harness Assembly
8	232203-1	Led Harness Assembly
9	319483-1	Valance/Intercom Harness Assembly
10	319588-1	AC & DC Connection Box Harness Assembly (Upper)
11	319589-1	AC & DC Connection Box Harness Assembly (Lower)
12	<u>Barrier Conduit Assembly (See Dwg. No. 72213)</u>	
13	421254-1	Valve Harness Assembly
14	421255-1	Handle/Pulser Harness Assembly
15	232248-1	Buzzer Interface Harness Assembly

Reference for Tokheim internal use only: 421467 System Wiring Diagram

H426B-R WIRING SCHEMATIC



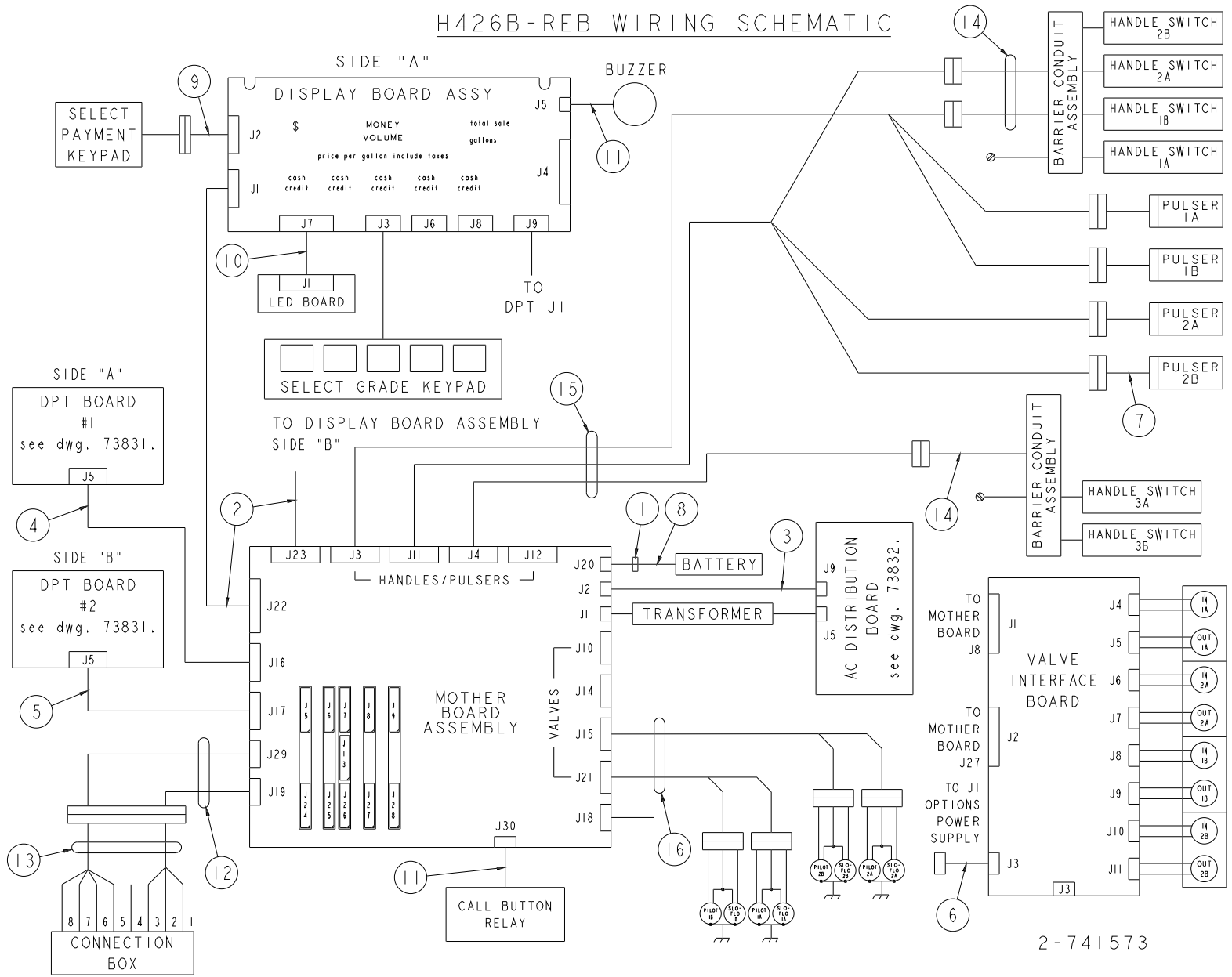
3-741543

WIRING SCHEMATIC H426B-R

ITEM NO.	PART NO.	DESCRIPTION
1	1-227773	Display Harness Assembly
2	231186-1	Harness Assembly (AC Distribution To Mother Board)
3	231194-1	DPT Harness Assembly (Side A)
4	231194-2	DPT Harness Assembly (Side B)
5	231818-1	Pulser Harness Assembly
6	231893-1	Battery Harness Assembly
7	<u>Barrier Conduit Assembly (See Dwg. No. 72213)</u>	
8	421014-1	Handle/Pulser Harness Assembly
9	421025-1	Valve Harness Assembly
10	1-128725	Cable Tie
11	232163-1	Keypad Harness Assembly
12	232203-1	Led Harness Assembly
13	319483-1	Valance/Intercom Harness Assembly
14	319588-1	AC & DC Connection Box Harness Assembly (Upper)
15	319589-2	AC & DC Connection Box Harness Assembly (Lower)
16	232248-1	Buzzer Interface Harness Assembly

Reference for Tokheim internal use only: 420881 System Wiring Diagram

H426B-REB WIRING SCHEMATIC



2-741573

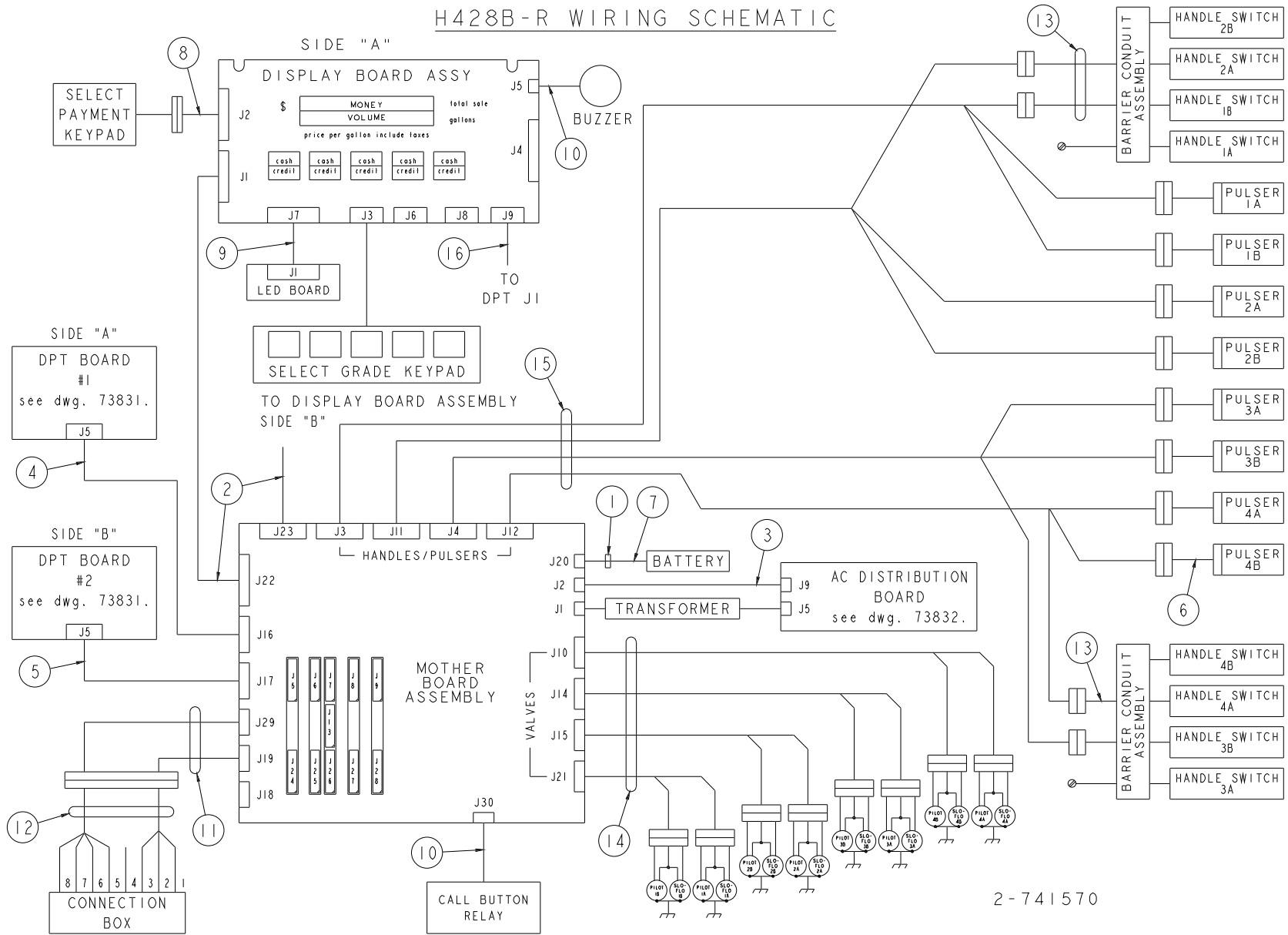
WIRING SCHEMATIC H426B-REB

PREMIER Parts Manual • H Models
Form 4814A, Version 5.0 July 1996 Rev. 2/26/99

Tokheim Corporation
6-33

ITEM NO.	PART NO.	DESCRIPTION	ITEM NO.	PART NO.	DESCRIPTION
1	1-128725	Cable Tie	16		<u>Valve Harness Assembly</u>
2	1-227773	Display Harness Assembly		421025-1	Without MaxVac
3	231186-1	Harness Assembly (AC Distribution To Mother Board)		421025-2	With MaxVac
4	231194-1	DPT Harness Assembly (Side A)	17	232248-1	Buzzer Interface Harness Assembly
5	231194-2	DPT Harness Assembly (Side B)			<u>Reference for Tokheim internal use only:</u>
6	231802-1	Power Supply/Valve Interface Board Assembly		421468	System Wiring Diagram
7	231818-1	Pulser Harness Assembly			
8	231893-1	Battery Harness Assembly			
9	232163-1	Keypad Harness Assembly			
10	232203-1	Led Harness Assembly			
11	319483-1	Valance/Intercom Harness Assembly			
12	319588-1	AC & DC Connection Box Harness Assembly (Upper)			
13	319589-2	AC & DC Connection Box Harness Assembly (Lower)			
14		<u>Barrier Conduit Assembly (See Dwg. No. 72213)</u>			
15		<u>Handle/Pulser Harness Assembly</u>			
	421014-1	Without MaxVac			
	421014-2	With MaxMac			

H428B-R WIRING SCHEMATIC



2-741570

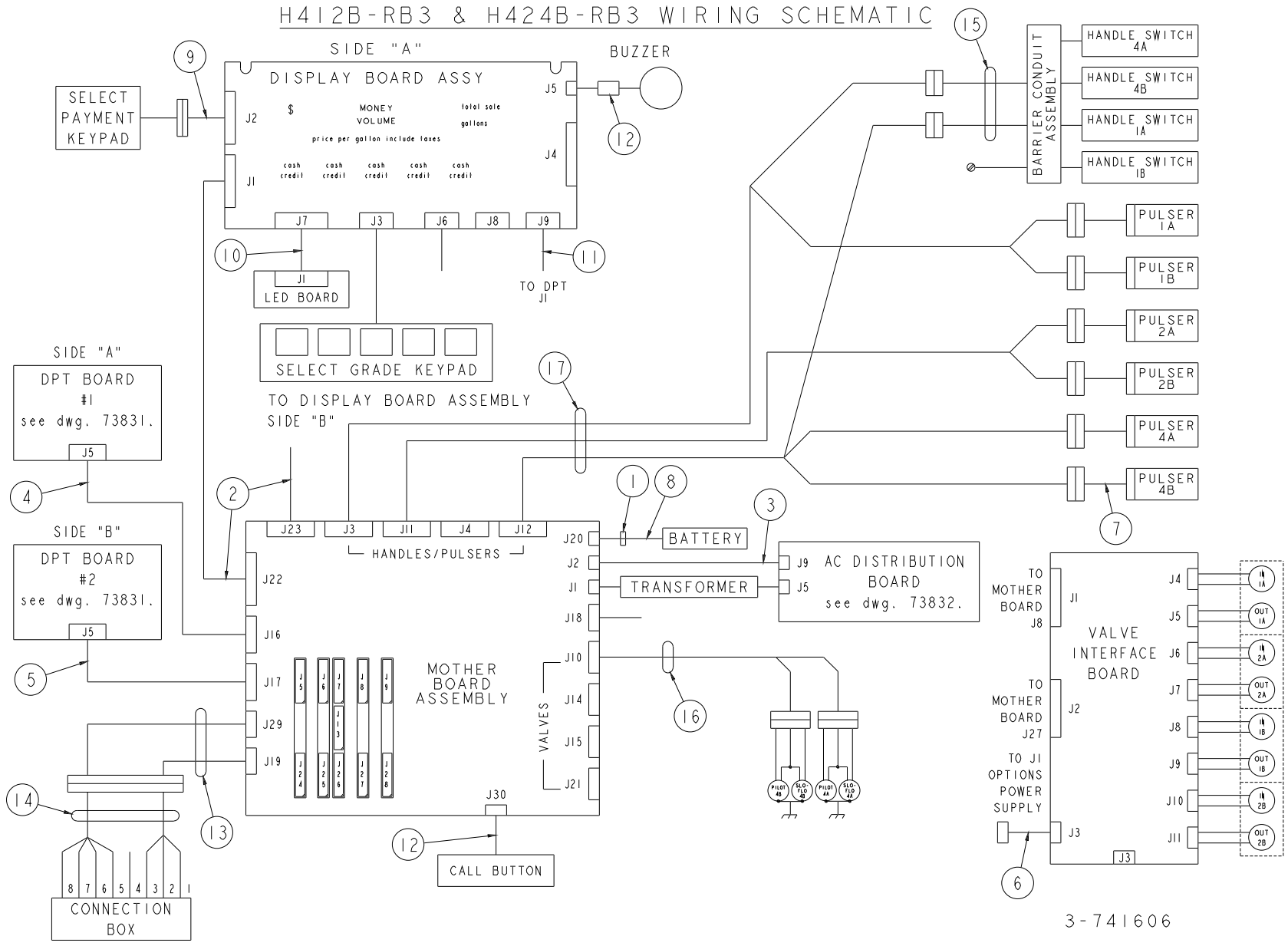
WIRING SCHEMATIC H428B-R

PREMIER Parts Manual • H Models
Form 4814A, Version 5.0 July 1996 Rev. 2/26/99

Tokheim Corporation
6-35

ITEM NO.	PART NO.	DESCRIPTION	ITEM NO.	PART NO.	DESCRIPTION
1	1-128725	Cable Tie			
2	1-227773	Display Harness Assembly	16	232248-1	Buzzer Interface Harness Assembly
3	231186-1	Harness Assembly (AC Distribution To Mother Board)			<u>Reference for Tokheim internal use only:</u>
4	231194-1	DPT Harness Assembly (Side A)	421467		System Wiring Diagram
5	231194-2	DPT Harness Assembly (Side B)			2-741570
6	231818-1	Pulser Harness Assembly			
7	231893-1	Battery Harness Assembly			
8	232163-1	Keypad Harness Assembly			
9	232203-1	Led Harness Assembly			
10	319483-1	Valance/Intercom Harness Assembly			
11	319588-1	AC & DC Connection Box Harness Assembly (Upper)			
12	319589-1	AC & DC Connection Box Harness Assembly (Lower)			
13		<u>Barrier Conduit Assembly (See Dwg. No. 72213)</u>			
14	421254-1	Valve Harness Assembly			
15	421255-1	Pulser/Handle Harness Assembly			

H412B-RB3 & H424B-RB3 WIRING SCHEMATIC



3-741606

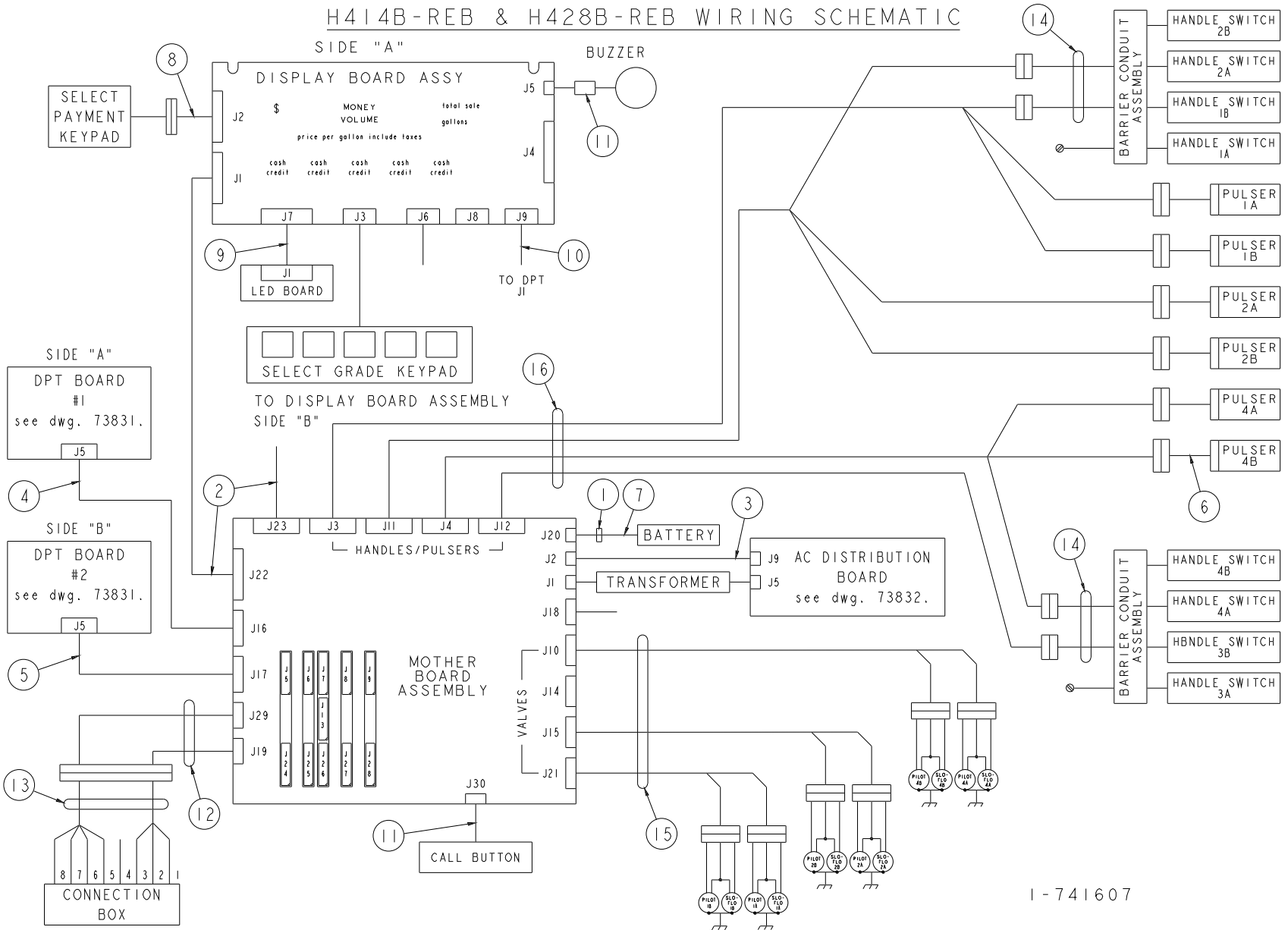
WIRING SCHEMATIC H412B-RB3 & H424B-RB3

ITEM NO.	PART NO.	DESCRIPTION
1	1-128725	Cable Tie
2	1-227773	Display Harness Assembly
3	231186-1	Harness Assembly (AC Distribution To Mother Board)
4	231194-1	DPT Harness Assembly (Side A)
5	231194-2	DPT Harness Assembly (Side B)
6	231802-1	Power Supply/Valve Interface Board Assembly
7	231818-1	Pulser Harness Assembly
8	231893-1	Battery Harness Assembly
9	232163-1	Keypad Harness Assembly
10	232203-1	Led Harness Assembly
11	232248-1	Buzzer Interface Harness Assembly
12	319483-1	Valance/Intercom Harness Assembly
13	319588-1	AC & DC Connection Box Harness Assembly (Upper)
14	319589-2	AC & DC Connection Box Harness Assembly (Lower)
15	<u>Barrier Conduit Assembly (See Dwg. No. 72213)</u>	
16	421254-2	Valve Harness Assembly
17	421255-2	Handle/Pulser Harness Assembly

Reference for Tokheim internal use only:

421814 System Wiring Diagram

H414B-REB & H428B-REB WIRING SCHEMATIC



1-741607

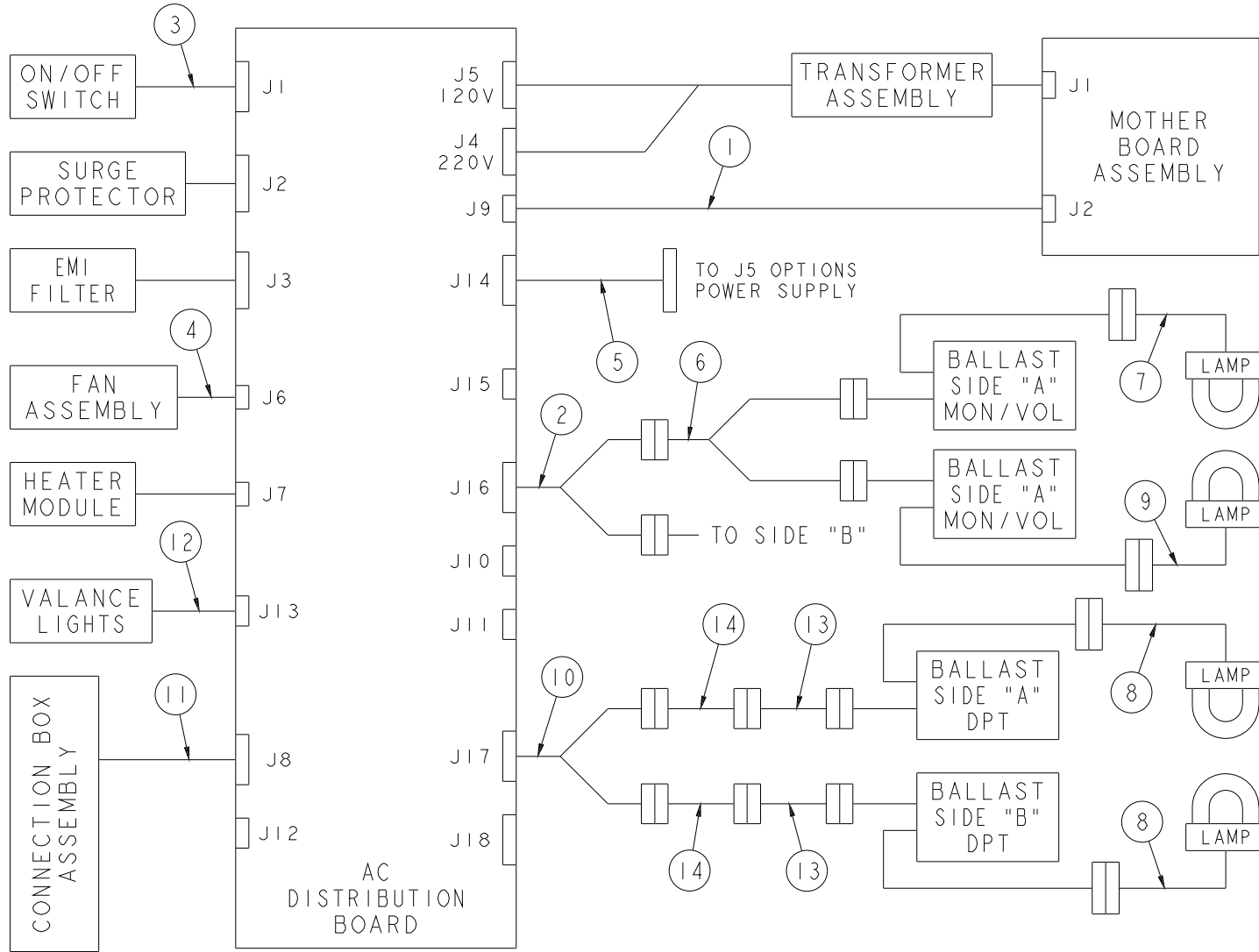
WIRING SCHEMATIC H414B-REB & H428B-REB

ITEM NO.	PART NO.	DESCRIPTION
1	1-128725	Cable Tie
2	1-227773	Display Harness Assembly
3	231186-1	Harness Assembly (AC Distribution To Mother Board)
4	231194-1	DPT Harness Assembly (Side A)
5	231194-2	DPT Harness Assembly (Side B)
6	231818-1	Pulser Harness Assembly
7	231893-1	Battery Harness Assembly
8	232163-1	Keypad Harness Assembly
9	232203-1	Led Harness Assembly
10	232248-1	Buzzer Interface Harness Assembly
11	319483-1	Valance/Intercom Harness Assembly
12	319588-1	AC & DC Connection Box Harness Assembly (Upper)
13	319589-2	AC & DC Connection Box Harness Assembly (Lower)
14	<u>Barrier Conduit Assembly (See Dwg. No. 72213)</u>	
15	421254-2	Valve Harness Assembly
16	421255-2	Handle/Pulser Harness Assembly

Reference for Tokheim internal use only:

421814 System Wiring Diagram

30" AC DISTRIBUTION WIRING SCHEMATIC



1 - 73887

30" AC DISTRIBUTION WIRING SCHEMATIC

PREMIER Parts Manual • H Models
Form 4814A, Version 5.0 July 1996 Rev. 2/26/99

ITEM NO.	PART NO.	DESCRIPTION
1	231186-1	Harness Assembly (AC Distribution To Mother Board)
2	231187-1	Harness Assembly (AC Distribution To Ballast)
3	231192-2	AC On/Off Harness Assembly
4	231199-1	Fan Harness Assembly
5	231800-1	Harness Assembly (AC Distribution To Power Supply)
6	232136-1	Display Adapter Harness Assembly
7	232137-1	Lamp Socket Harness Assembly (8" Long)(Money/Volume)
8	232137-2	Lamp Socket Harness Assembly (DPT)
9	232137-3	Lamp Socket Harness Assembly (16" Long)(Money/Volume)
10	232261-1	AC Distribution/Ballast Harness Assembly
11	319371-1	AC & DC Connection Box Harness Assembly
12	319483-1	Valance/Intercom Harness Assembly
13	319657-1	Internal DPT Dial Harness Assembly
14	319658-1	External DPT Dial Harness Assembly

Reference for Tokheim internal use only:

421445 System Wiring Diagram

Tokheim Corporation
6-41

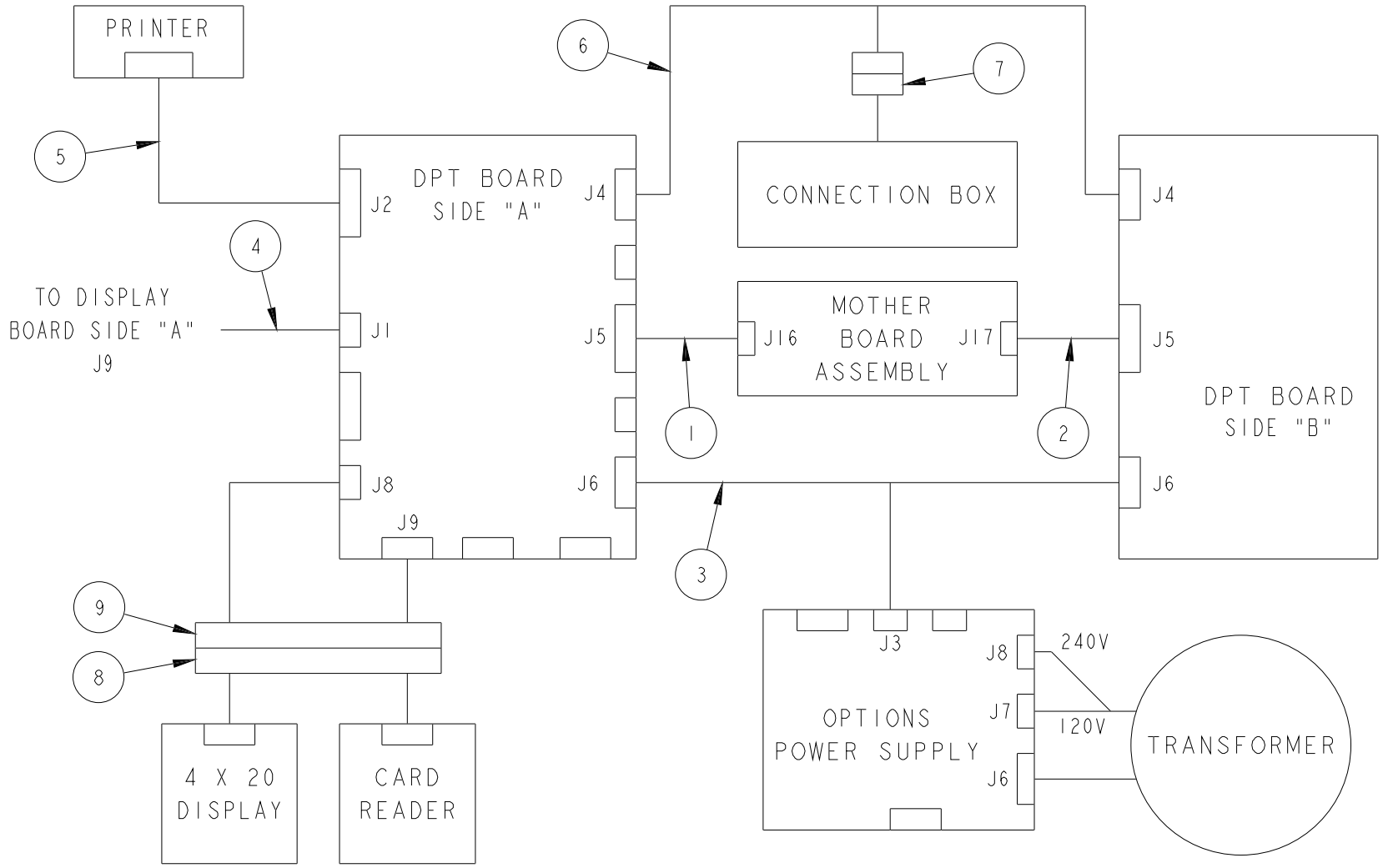
45" AC DISTRIBUTION WIRING SCHEMATIC

ITEM NO.	PART NO.	DESCRIPTION
1	231186-1	Harness Assembly (AC Distribution To Mother Board)
2	231187-1	Harness Assembly (AC Distribution To Ballast)
3	231199-1	Fan Harness Assembly
4	231800-1	Harness Assembly (AC Distribution To Power Supply)
5	232136-1	Display Adapter Harness Assembly
6	232137-1	Lamp Socket Harness Assembly (8" Long)(Money/Volume)
7	232137-2	Lamp Socket Harness Assembly (DPT)
8	232137-3	Lamp Socket Harness Assembly (16" Long)(Money/Volume)
9	319371-1	AC & DC Connection Box Harness Assembly
10	319483-1	Valance/Intercom Harness Assembly
11	231192-2	AC On/Off Harness Assembly

Reference for Tokheim internal use only:

420881 System Wiring Diagram

30" DPT WIRING SCHEMATIC

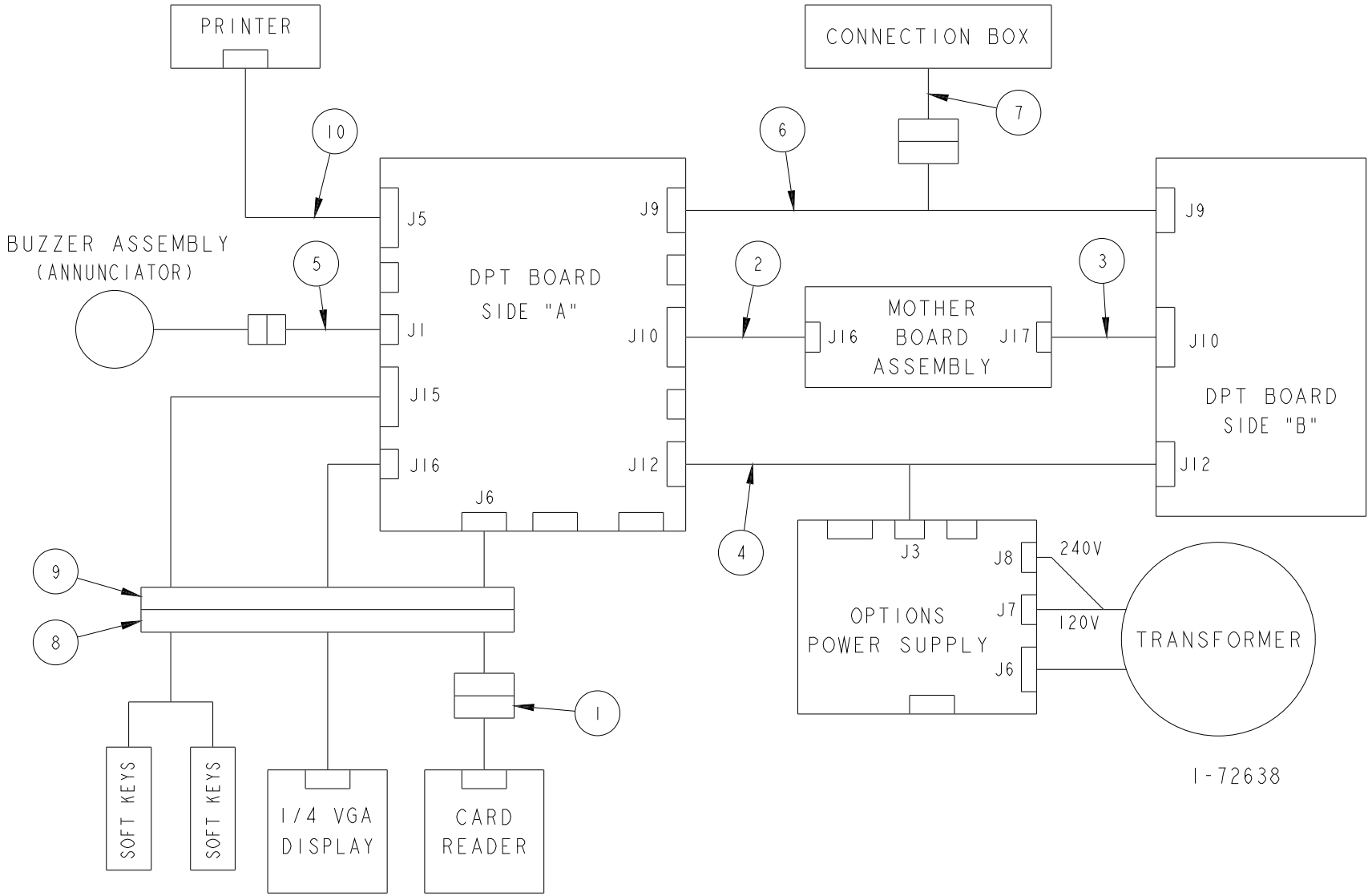


1-72636

30" DPT WIRING SCHEMATIC

ITEM NO.	PART NO.	DESCRIPTION
1	231194-1	Communication/DPT Harness Assembly
2	231194-2	Communication/DPT Harness Assembly
3	231808-1	DPT/Power Supply Harness Assembly
4	232248-1	Buzzer Interface Harness Assembly
5	318894-2	External Printer Harness Assembly
6	319588-2	Upper AC & DC Connection Box Harness Assembly
7	319589-3	Lower AC & DC Connection Box Harness Assembly
8	<u>External Cardreader Harness Assembly</u>	
	319657-1	DPT
	319657-2	Debit
9	319658-1	External DPT Harness Assembly
<u>Reference for Tokheim internal use only:</u>		
	420881	System Wiring Diagram

30" INSIGHT WIRING SCHEMATIC



1-72638

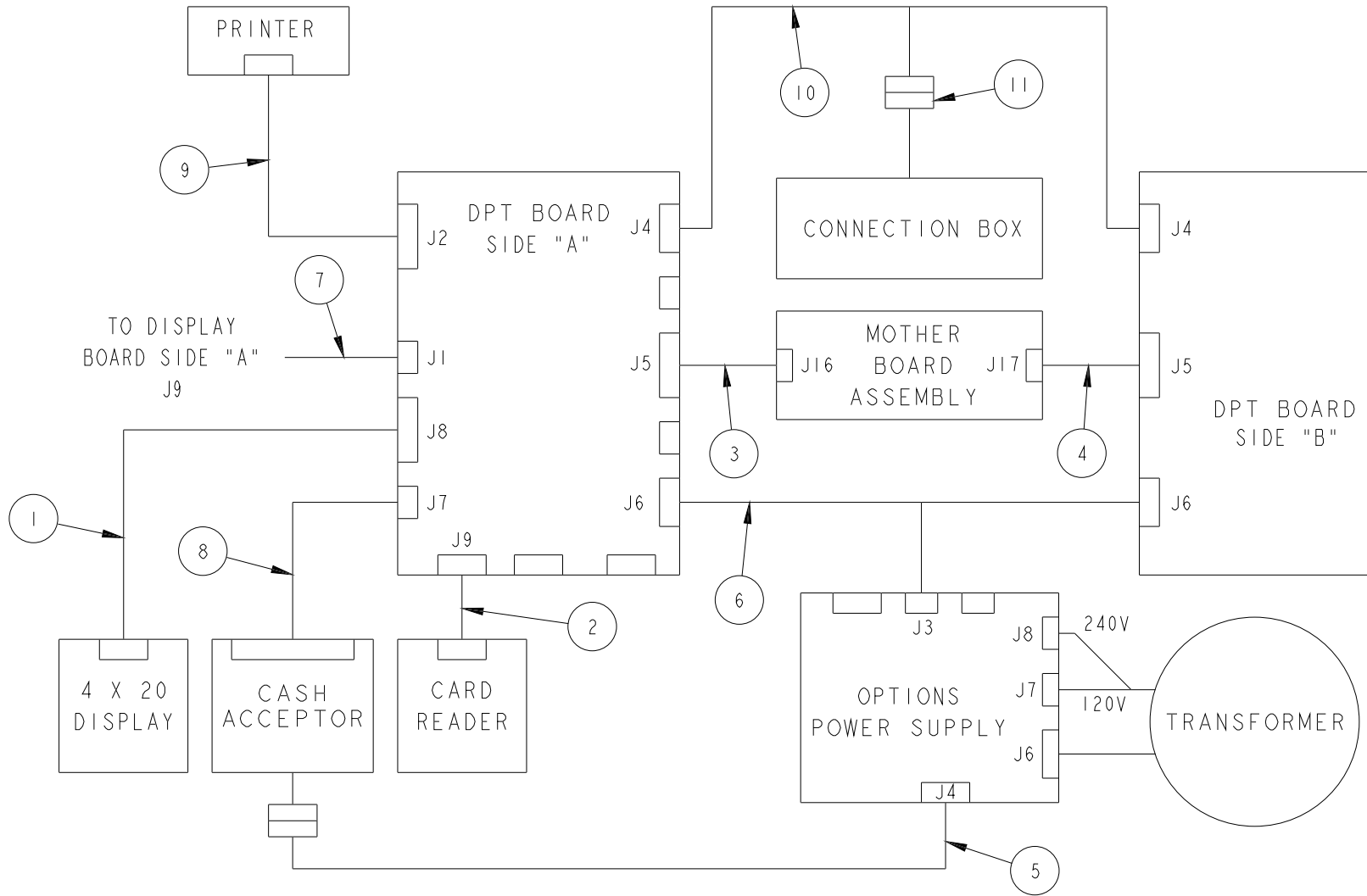
30" INSIGHT WIRING SCHEMATIC

ITEM NO.	PART NO.	DESCRIPTION
1	230618-1	Internal Card Reader Harness Assembly
2	231194-1	Communication/DPT Harness Assembly
3	231194-2	Communication/DPT Harness Assembly
4	231808-6	DPT/Power Supply Harness Assembly
5	232489-1	Buzzer Interface Harness Assembly
6	319588-2	Upper AC & DC Connection Box Harness Assembly
7	319589-3	Lower AC & DC Connection Box Harness Assembly
8	319657-3	Internal DPT Dial Harness Assembly
9	319658-2	External DPT Dial Harness Assembly
10	320856-1	Printer Harness Assembly

Reference for Tokheim internal use only:

421445 System Wiring Diagram

45" DPT WIRING SCHEMATIC



1-72637

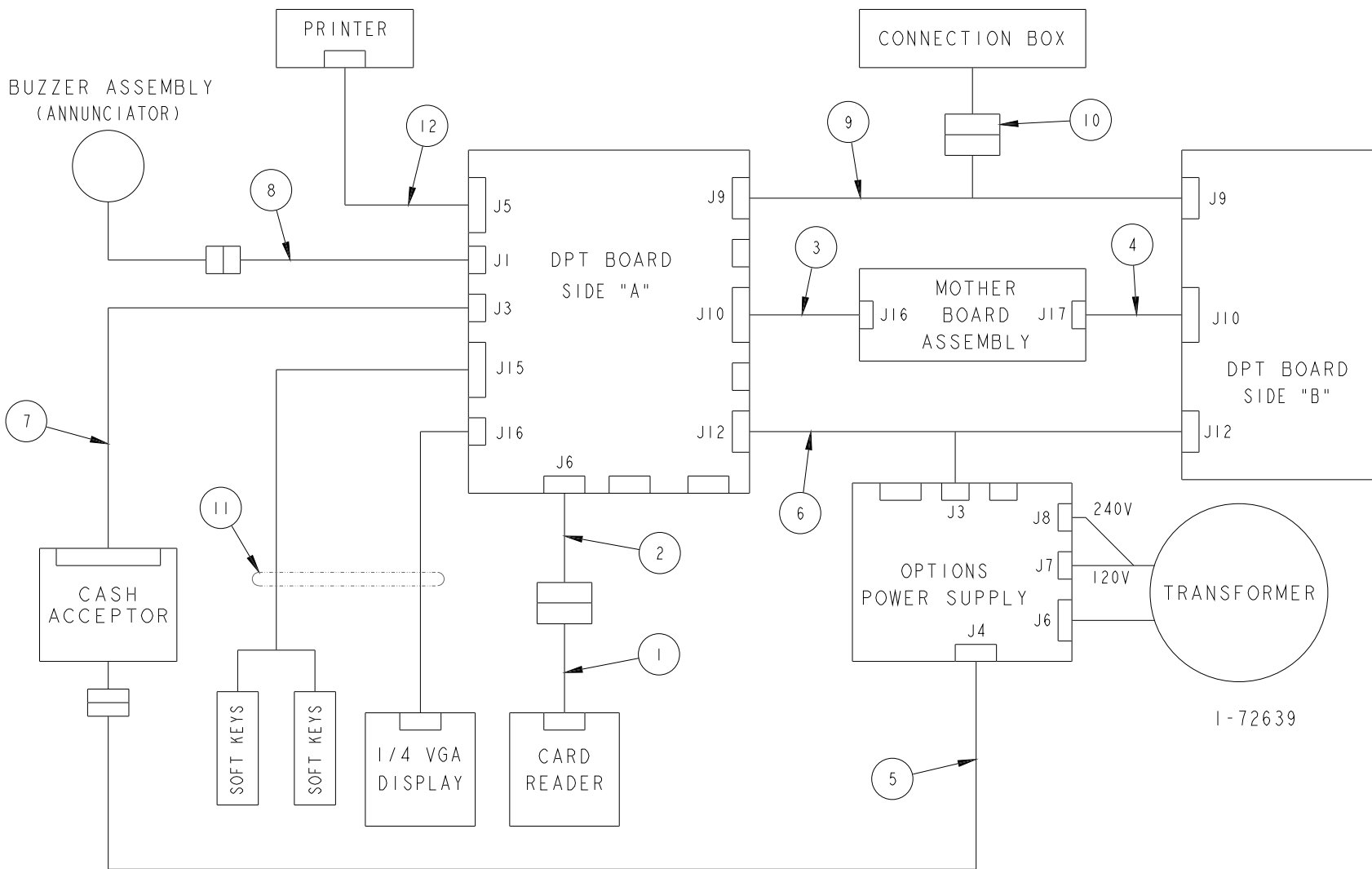
45" DPT WIRING SCHEMATIC

ITEM NO.	PART NO.	DESCRIPTION
1	2-229431	DPT Display Cable
2	230657-2	External Card Reader Harness Assembly
3	231194-1	Communication/DPT Harness Assembly
4	231194-2	Communication/DPT Harness Assembly
5	231803-1	Cash Acceptor Harness Assembly
6	231808-1	DPT/Power Supply Harness Assembly
7	232489-1	Buzzer Interface Harness Assembly
8	231872-1	Communication/Cash Acceptor Harness Assembly
9	318894-2	External Printer Harness Assembly
10	319588-1	Upper AC & DC Connection Box Harness Assembly
11	319589-2	Lower AC & DC Connection Box Harness Assembly

Reference for Tokheim internal use only: System Wiring Diagram

420881	H411B-R, H413B-R, H422B-R & H426B-R
421467	H414B-R, H412B-R, H424B-R & H428B-R
421468	H413B-REB & H426B-REB

45" INSIGHT WIRING SCHEMATIC



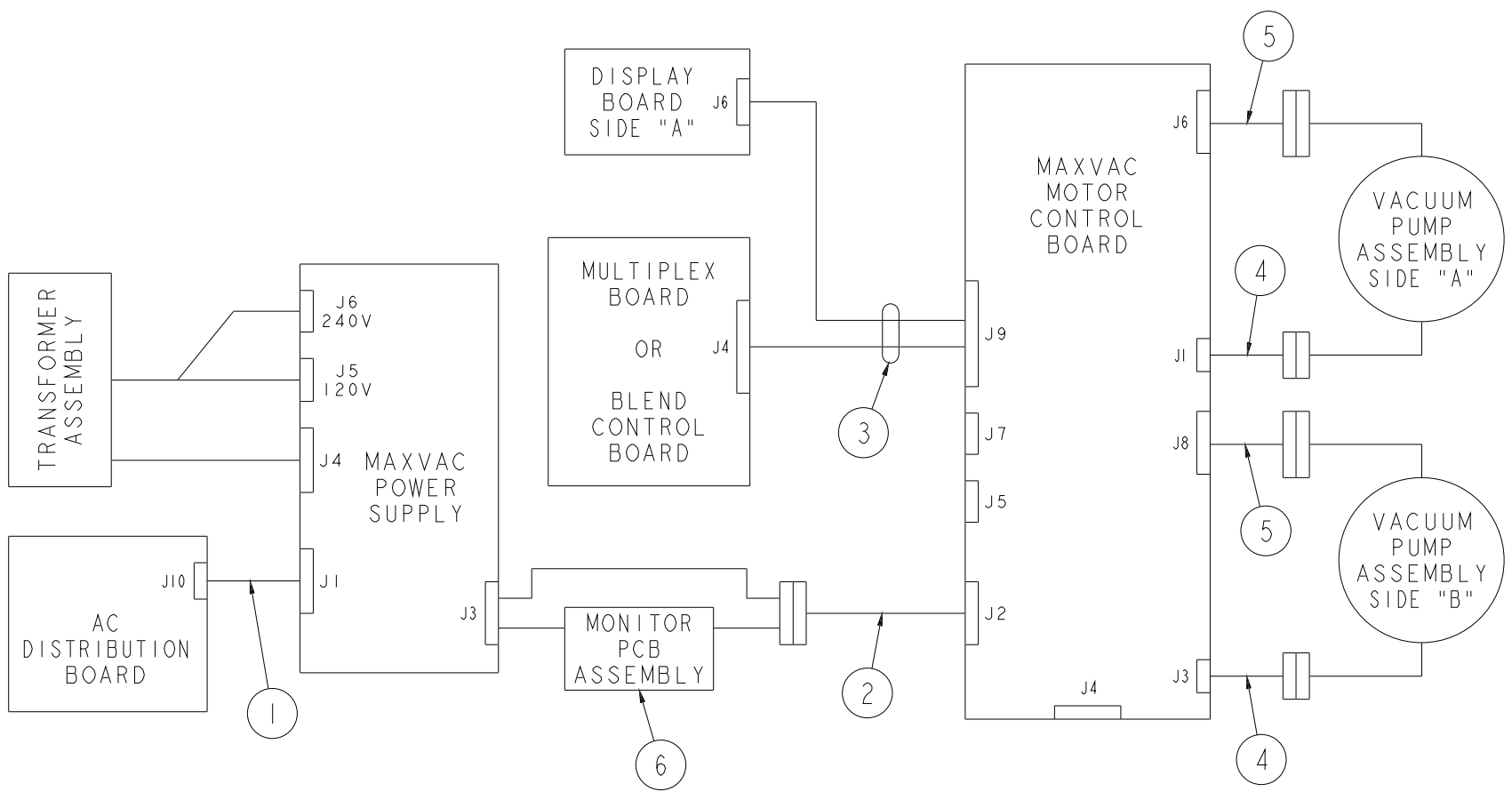
45" INSIGHT WIRING SCHEMATIC

ITEM NO.	PART NO.	DESCRIPTION
1	230618-1	Internal Card Reader Harness Assembly
2	230657-2	External Card Reader Harness Assembly
3	231194-1	Communication/DPT Harness Assembly
4	231194-2	Communication/DPT Harness Assembly
5	231803-1	Cash Acceptor/Power Supply Harness Assembly
6	231808-6	DPT/Power Supply Harness Assembly
7	231872-1	Communication/Cash Acceptor Harness Assembly
8	232489-1	Buzzer Interface Harness Assembly
9	319588-1	Upper AC & DC Connection Box Harness Assembly
10	319589-2	Lower AC & DC Connection Box Harness Assembly
11	320806-1	DPT Softkeys/Display Harness Assembly
12	320856-1	Printer Harness Assembly

Reference for Tokheim internal use only: System Wiring Diagram

420881	H411B-R, H413B-R, H422B-R & H426B-R
421467	H414B-R, H412B-R, H424B-R & H428B-R
421468	H413B-REB & H426B-REB

MAXVAC WIRING SCHEMATIC

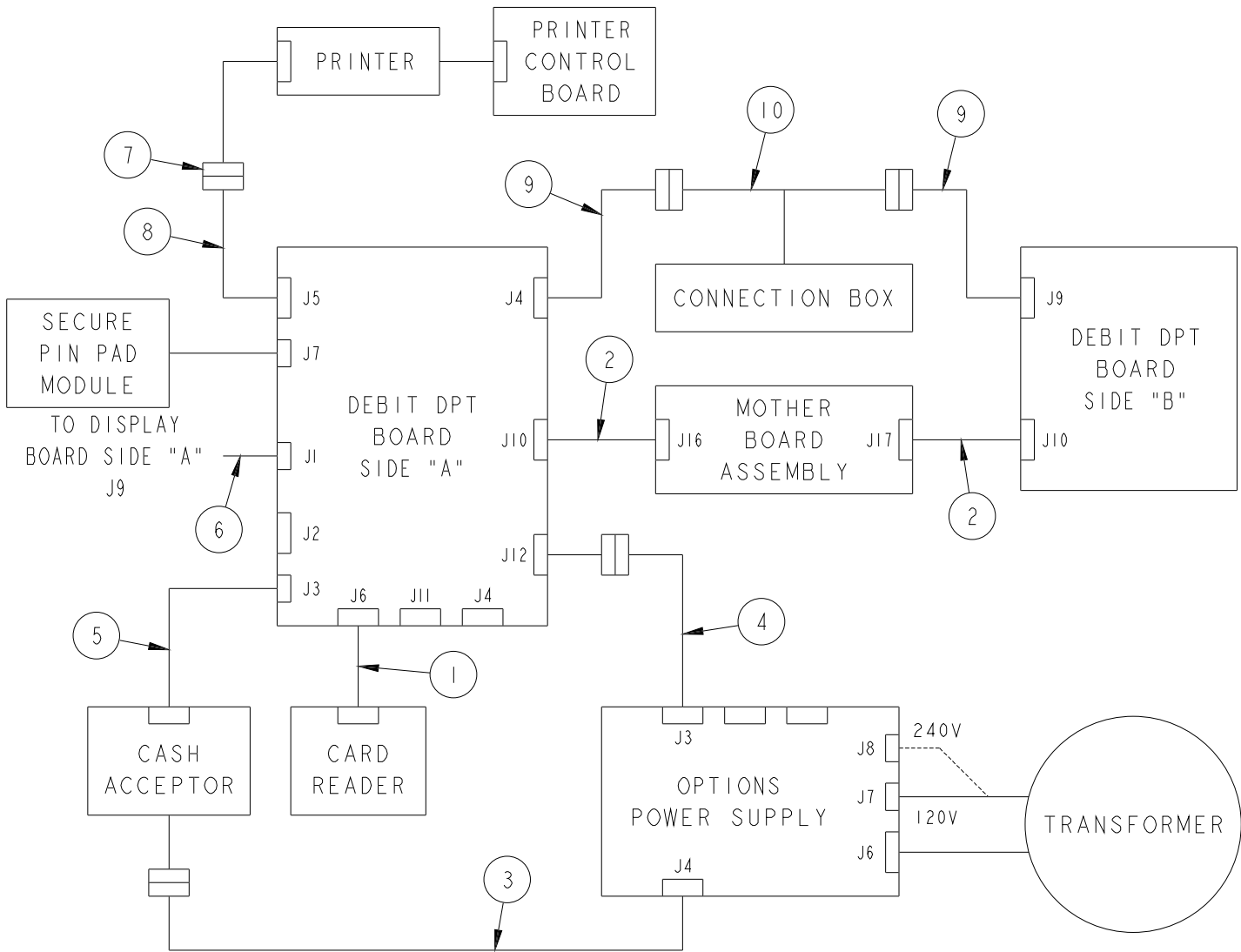


2-741578

MaxVac WIRING SCHEMATIC

ITEM NO.	PART NO.	DESCRIPTION
1	232266-1	AC Power Harness Assembly
2	232267-1	DC Power Harness Assembly
3		<u>Pulser Harness Assembly</u>
	232268-1	H411B-R, H413B-R, H414B-R, H422B-R, H426B-R & H428B-R
	232268-2	H411B-REB, H413B-REB, H422B-REB & H422B-REB
4	319685-1	MV Motor Pump Harness Assembly
5	319685-2	MV Motor Pump Harness Assembly
6	421646-1	PCB Monitor Assembly
<u>Reference for Tokheim internal use only: System Wiring Diagram</u>		
	420881	H411B-R, H413B-R, H422B-R & H426B-R
	421467	H414B-R & H428B-R
	421468	H411B-REB, H413B-REB, H422B-REB & H426B-REB

DEBIT DPT WIRING SCHEMATIC



1-72372

DEBIT DPT WIRING SCHEMATIC

ITEM NO.	PART NO.	DESCRIPTION
1	230657-2	Card Reader Harness Assembly
2	<u>Communication/DPT Harness Assembly</u>	
	231194-1	Side "A"
	231194-2	Side "B"
3	231803-1	Harness Assembly (DPT/Blender Power Supply To Cash Acceptor)
4	231808-1	Harness Assembly (DPT Board To DPT/Blender Power Supply)
5	231872-1	Harness Assembly (DPT To Cash Acceptor)
6	232248-1	Buzzer Interface Harness Assembly
7	318893-3	Internal Printer Harness Assembly
8	318894-2	External Printer Harness Assembly
9	319588-1	AC & DC Connection Box Harness Assembly (Upper)
10	319589-1	AC & DC Connection Box Harness Assembly (Lower)
<u>Reference for Tokheim internal use only: System Wiring Diagram</u>		
420881	H411B-R, H413B-R, H422B-R & H426B-R	
421445	H311B-R, H312B-R, H322B-R, H324B-R, H311B-B3/B5 & H322B-B3/B5	
421467	H414B-R & H428B-R	
421468	H413B-REB & H426B-REB	