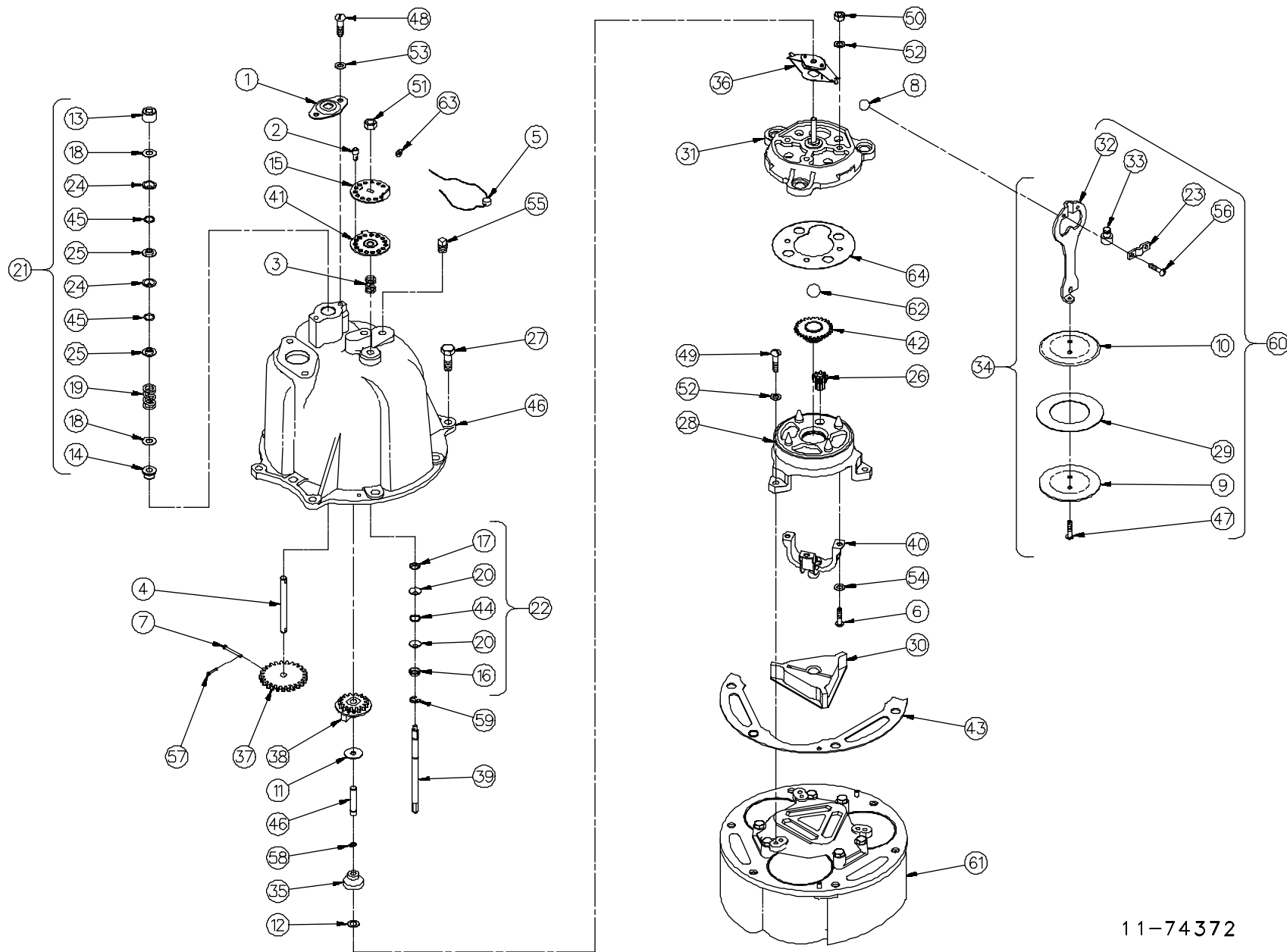


Section Four

Meters & Pulser Assemblies

	<i>Page Number</i>	
<i>Positive Displacement Meter</i>	4-2, 4-3	2
<i>Gear Train Assembly</i>	4-4, 4-5	6
<i>Cable Drive Totalizer Assembly</i>	4-6, 4-7	2
<i>Totlizer Assembly (inside mounting)</i>	4-8, 4-9	A
<i>Pulser & Gear Box Assembly</i>		D
for 262A-FL	4-10, 4-11	I
for 262A-FL-M-HV-LCS-RC	4-12, 4-13	S
<i>Pulser Assembly for 262A (Model 88D)</i>	4-14, 4-15	P
<i>Model 1450-15-SP-HV Meter Assembly-Gear Drive</i>	4-16, 4-17	E
<i>Model 1510 Calibrator Assembly</i>	4-18, 4-19	N
		S
		E
		R

898 POSITIVE DISPLACEMENT TYPE METER



11-74372

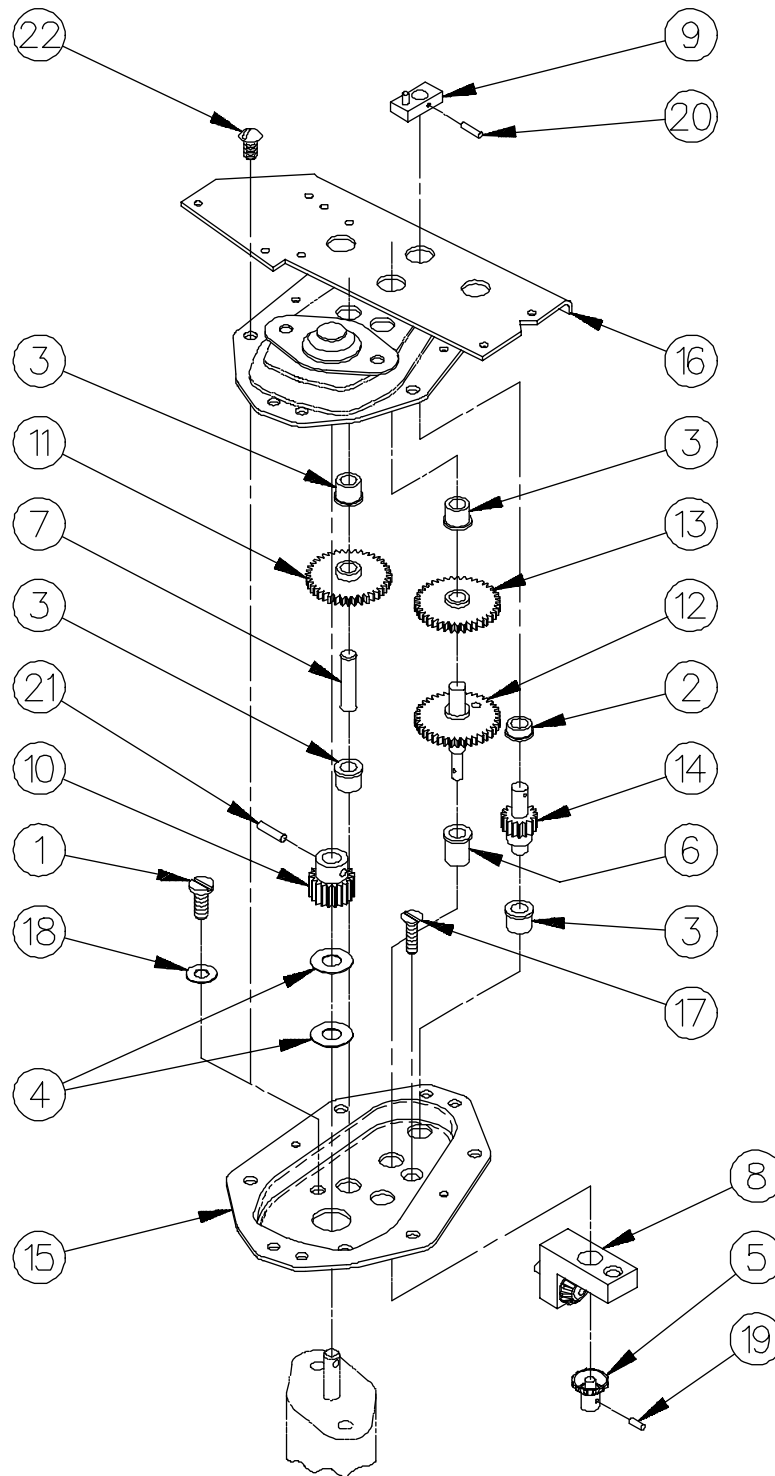
11-74372

1 of 1

MODEL 898 SERIES POSITIVE DISPLACEMENT TYPE METER

<u>Item No.</u>	<u>Part No.</u>	<u>Description</u>	<u>Item No.</u>	<u>Part No.</u>	<u>Description</u>	<u>Item No.</u>	<u>Part No.</u>	<u>Description</u>
1	1-19592	Packing Gland Plate	35	<u>Slack Roller Assembly</u>		54	<u>#14 Lockwasher</u>	
2	1-19602	Seal Pin		219800-1	All models		42-50761	All models
3	1-19743	Compensator Screw Spring	36	221403-1	Slack Spring Assembly	55	01-51911	1/8" Square Head Pipe Plug
4	1-114815	Drive Shaft	37	<u>Drive Shaft Gear</u>		56	#10-32 x 3/8" Long Phillips Pan Head Sems Fastener	
5	1-118849	Seal & Seal Wire (6" Long)		1-222081	Gallons & Liters		28-55431	All models
6	<u>Special Screw</u>			217195-2	Assembly (Imperial Gallons)	57	13-52870	1/16" Dia x 1/4" Long Cotter Pin
	1-119064	All models	38	<u>Counter Drive Gear Complete</u>		58	10-52922	Truarc Retaining Ring
7	1-124144	Drive Shaft Pin		218556-2	Imperial Gallons	59	12-53420	Truarc "E" Retaining Ring
8	1-124588	1/2" Ball		1-222084	Gallons	60	232332-1	Plunger Kit (Contains Plunger Assembly, Bearing Retainer, Bearing Seat & Sems Fastener)
9	1-125069	Plunger Cup Support	39	1-224081	Compensator Shaft	61	<u>Body & Seat Assembly With Pins</u>	
10	1-125071	Plunger Disc		224709-5	All models		407488-11	All models
11	1-125095	Washer	41	1-226085	Index Plate	62	1-130905	5/8" Carbon Ball
12	1-125103	Washer	42	<u>Main Pivot Assembly</u>		63	04-50600	Washer
13	125118-1	Upper Bearing Assembly		125079-1	All models	64	1-217934	Wobble Bearing Plate
14	125154-1	Bearing Assembly	43	1-38083	Meter Body Gasket	<p>For complete Meter Cover Assembly order: (Item no. 5 & 46 not included) 407494-1 Gallons 407494-5 Imperial Gallons 415282-30 Liters</p> <p>For complete Final Assembly (898-K Meter) order: 407726-10 Gallons 416873-25 Imperial Gallons 416873-32 Liters</p> <hr style="width: 20%; margin-left: auto; margin-right: 0;"/> <p style="text-align: right;">11-74372</p>		
15	1-125243	Compensator Index Disc	44	5-318940	"O" Ring (.362 Dia.)			
16	1-125308	Seal Half	45	6-318940	"O" Ring (.487 Dia.)			
17	1-125309	Seal Wedge	46	420557-1	Meter Cover And Gear Post Assy			
18	1-125315	Washer	47	287-50001	#10-32 x 3/8" Long Round Head Machine Screw			
19	1-125357	Packing Spring	48	326-50001	#12-24 x 1/2" Long Round Head Machine Screw			
20	1-125360	Seal	49	<u>1/4-20 x 3/4" Long Round Head Machine Screw</u>				
21	125420-1	Meter Drive Shaft Packing Kit		399-50001	All models			
22	125478-1	Compensator Shaft Seal Kit	50	<u>1/4-20 Hex Nut</u>				
23	<u>Bearing Retainer</u>			01-50301	All models			
	1-125966	All models	51	02-50301	5/16-18 Hex Nut			
24	1-126898	Seal (Black)	52	<u>1/4" Lockwasher</u>				
25	1-126902	Seal Retaining Ring		13-50641	All models			
26	1-129607	Compensator Pinion	53	24-50761	#12 Lockwasher			
27	65-50361	3/8-16 x 1" Long Hex Head Cap Screw						
28	218236-2	Main Pivot Bracket Assy. With Pins						
29	218769-1	Plunger Cup Kit (Set Of 3 Cups)						
30	1-219330	Valve						
31	219331-1	Wobble Plate With Slack Roller Post						
32	1-219377	Connector						
33	1-219378	Bearing Seat						
34	219407-2	Plunger Assembly						

262A GEAR TRAIN ASSEMBLY

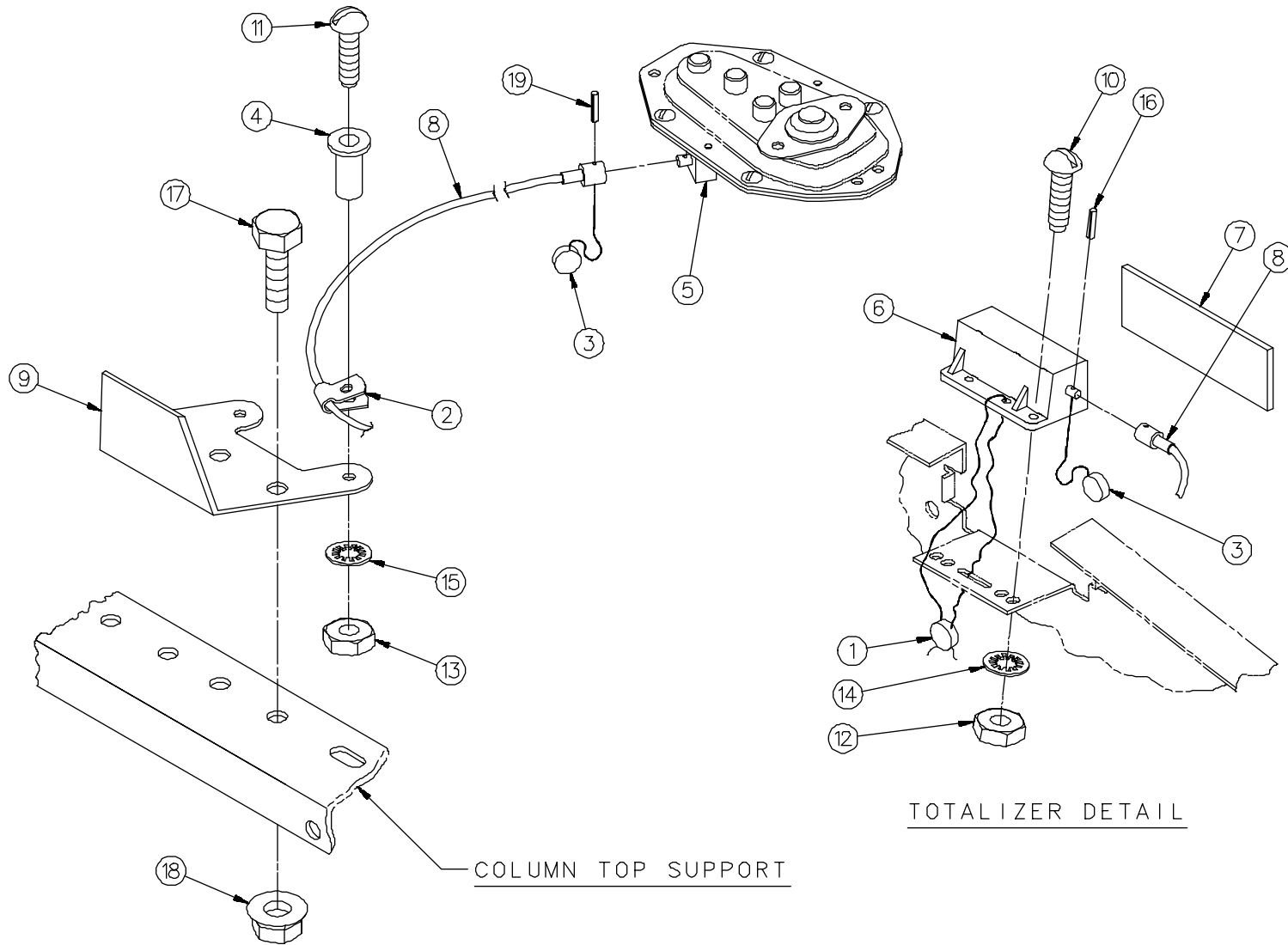


2-73790

262A GEAR TRAIN ASSEMBLY

<u>Item</u> <u>No.</u>	<u>Part</u> <u>No.</u>	<u>Description</u>	<u>Item</u> <u>No.</u>	<u>Part</u> <u>No.</u>	<u>Description</u>
1	1-114401	#12-24 Special Screw	15	<u>Lower Gear Box Plate Assembly</u> (Includes item #3 & #6)	
2	1-117885	Gear Box Bushing	311074-29	Gallons & Imperial Gallons	
3	1-117901	Gear Box Bushing	311074-34	Liters & Canada	
4	1-122316	Washer (Used only on gallons)	16	<u>Upper Gear Box Plate Assembly</u> (Includes item #2 & #3)	
5	1-130195	Gear	314317-2	Gallons & Imperial Gallons	
6	1-130234	Gear Box Bushing	314317-5	Liters & Canada	
7	1-130280	Idler Shaft	17	176-50011	#8-32 x 5/8" Long Flat Head Machine Screw
8	<u>Gear Block Assembly</u>		18	24-50761	#12 Lockwasher
	224992-3	Liters & Canada	19	08-51221	1/16" Dia x 1/4" Long Groov-Pin
	224992-10	Gallons & Imperial Gallons	20	09-51221	1/16" Dia x 3/8" Long Groov-Pin
9	225042-1	Coupling Half Assembly	21	40-51221	1/8" Dia x 1/2" Long Groov-Pin
10	<u>Meter Pinion</u>		22	21-55431	#10-24 x 3/8" Long Phillips Pan Head Sems Fastener
	1-225133	Gallons & Imperial Gallons	For complete Gear Train Assembly order:		
	1-225756	Liters & Canada	410058-28	Gallons & Imperial Gallons	
11	<u>Idler Gear Assembly</u>		410058-30	Liters & Canada	
	225136-1	Gallons & Imperial Gallons	Reference: Meter Cover Assembly		
	225136-3	Liters & Canada	415262-7	Liters & Canada	
12	<u>Totalizer Gear Assembly</u>		415262-15	Gallons	
	225138-1	Gallons & Imperial Gallons	415262-16	Imperial Gallons	
	225138-4	Liters & Canada	<hr/>		
13	<u>Gear Assembly</u>		2-73790		
	225140-1	Gallons & Imperial Gallons			
	225140-3	Liters & Canada			
14	<u>Pulser Gear Assembly</u>				
	225142-1	Gallons & Imperial Gallons			
	225142-2	Liters & Canada			

CABLE DRIVE TOTALIZER ASSEMBLY (262A SERIES)



3-741441

1 of 1

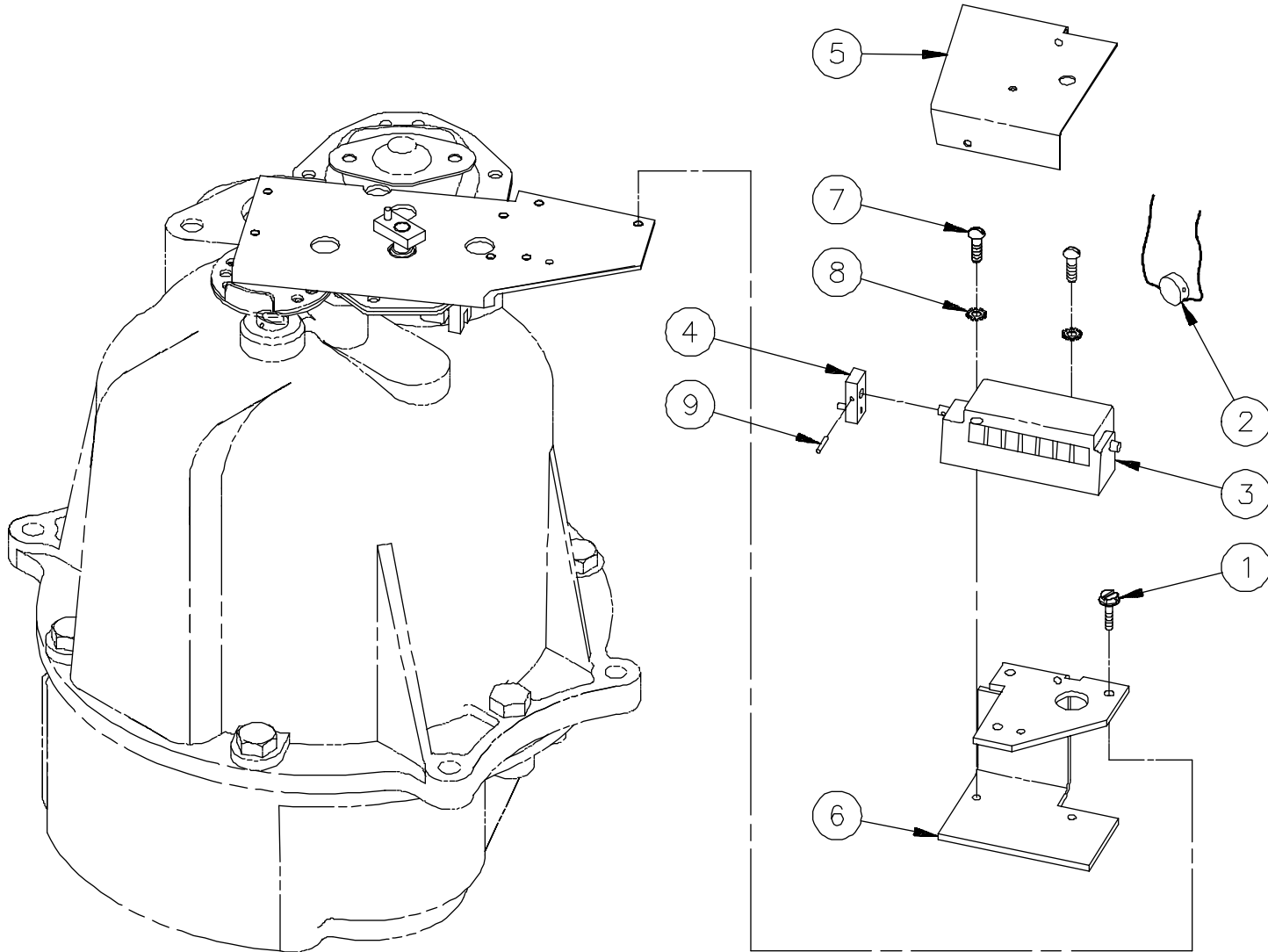
CABLE DRIVE TOTALIZER ASSEMBLY

Model 262A Series

<u>Item</u> <u>Part No.</u> <u>Description</u>	<u>Item</u> <u>Part No.</u> <u>Description</u>
1 <u>Seal Wire & Seal</u> 1-118850 All models except listed below 1-118849 262AFL-M/MS/MM-HV-LCS-RC, 262A-M-HV-LCS-RC	9 1-317086 Lock Plate
2 4-127291 Cable Clamp	10 96-50001 6-32 x 1/2" Long Round Head Machine Screw
3 <u>Seal Wire & Seal</u> 1-131438 All models except listed below 1-118849 262AFL-M/MS/MM-HV-LCS-RC, 262A-M-HV-LCS-RC	11 96-50001 6-32 x 1/2" Long Round Head Machine Screw 1-228380 Blind Rivet
4 4-131156 Tubular Eyelet(Not used with blind rivet)	12 03-50211 6-32 Hex Nut
5 224992-10 Gear Block Assembly	13 03-50211 6-32 Hex Nut (Not used with blind rivet)
6 <u>Totalizer</u> 1-227146 Gallons 2-227146 Liters	14 21-50761 #6 Lockwasher
7 2-227437 Window	15 21-50761 #6 Lockwasher (Not used with blind rivet)
8 <u>Drive Cable</u> 1-317040 Twin 3-317040 Single 4-317040 262AFL-M/MS-RC, 262AFL-M-1-RC-TW 1-319480 262AFL-M/MS/MM-HV-LCS-RC, 262A-M-HV-LCS-RC	16 03-52901 Roll Pin
	17 35-54742 5/16-18 x 5/8" Long M-F Hex Head Whiz Lock Screw
	18 02-54752 5/16-18 M-F Flange Whiz Lock Nut
	19 04-52901 Roll Pin
	For complete Totalizer Assembly order:
	316522-9 All except Listed Below (Gallons)
	316522-5 262A/AFL-2-TW (Gallons)
	316522-6 262A-2-TW (Litre)
	316522-10 262A & 262A-1-TW (Litre)
	316522-11 262AFL-M/MS-RC, 262AFL-M-1-RC-TW (Gallons)
	316522-12 262AFL-M (Litre)
	316522-13 262A/AFL-2-TW (1/10 Gallon)
	3-741441

TOTALIZER ASSEMBLY

(INSIDE MOUNTING)



1-72235

1-72235

1 of 1

TOTALIZER ASSEMBLY (Inside Mounting)

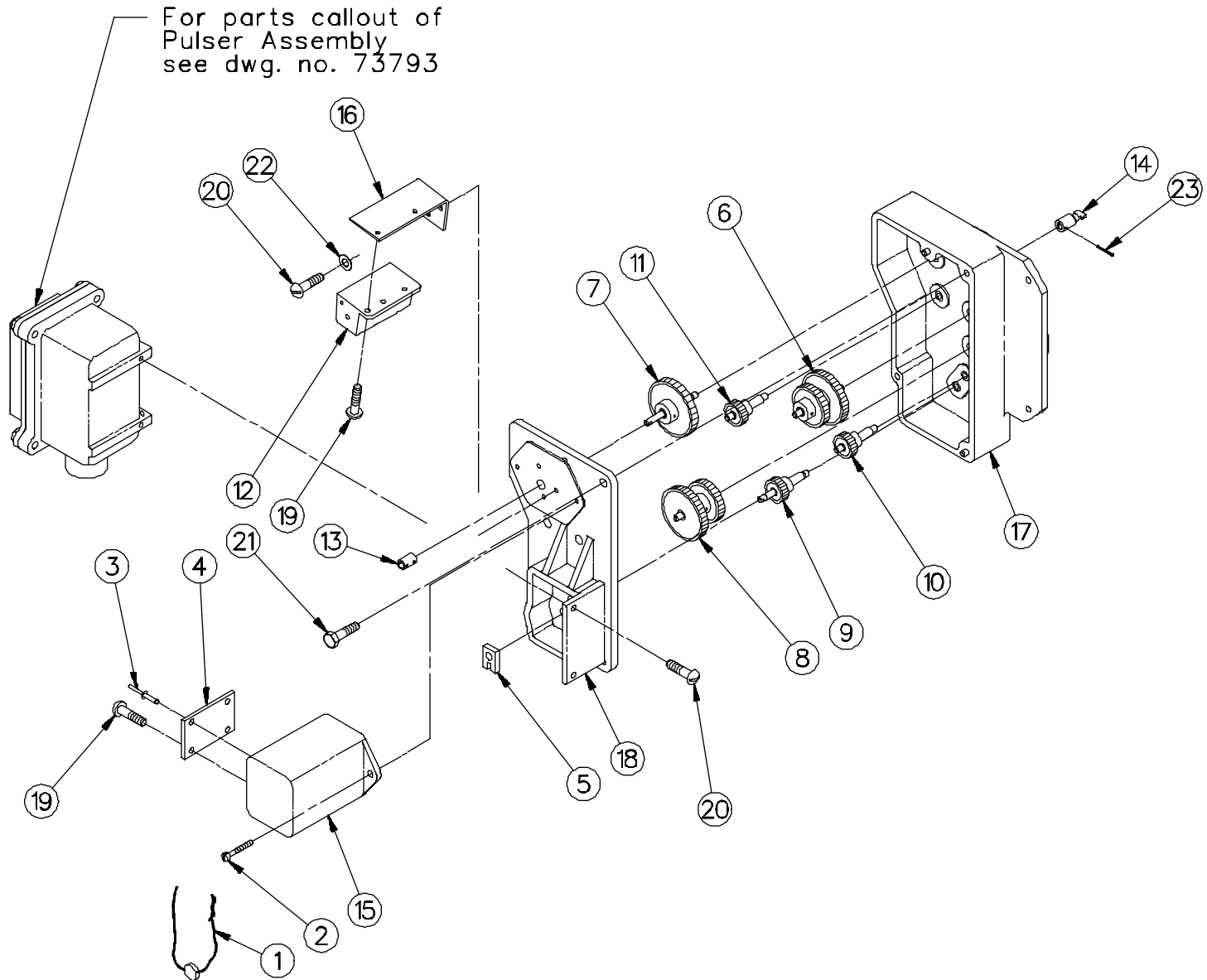
<u>Item</u>	<u>Part No.</u>	<u>Description</u>
1	1-130465	#6-32 x 3/8" Long Hex Slotted Head Thread Cutting Screw
2	1-131438	Seal Wire & Seal
3	1-225008	Totalizer
4	225042-2	Coupling Half Assembly
5	1-225367	Seal Plate
6	1-225921	Totalizer Support
7	88-50001	#6-32 x 1/4" Long Round Head Machine Screw
8	06-50641	#6 Split Lockwasher
9	09-51221	1/16" Dia x 3/8" Long Groov-Pin

For complete Totalizer Assembly order:

225062-5 (Item #1, 2 & 5 not included)

1-72235

PULSER & GEAR BOX ASSEMBLY FOR 262A/FL



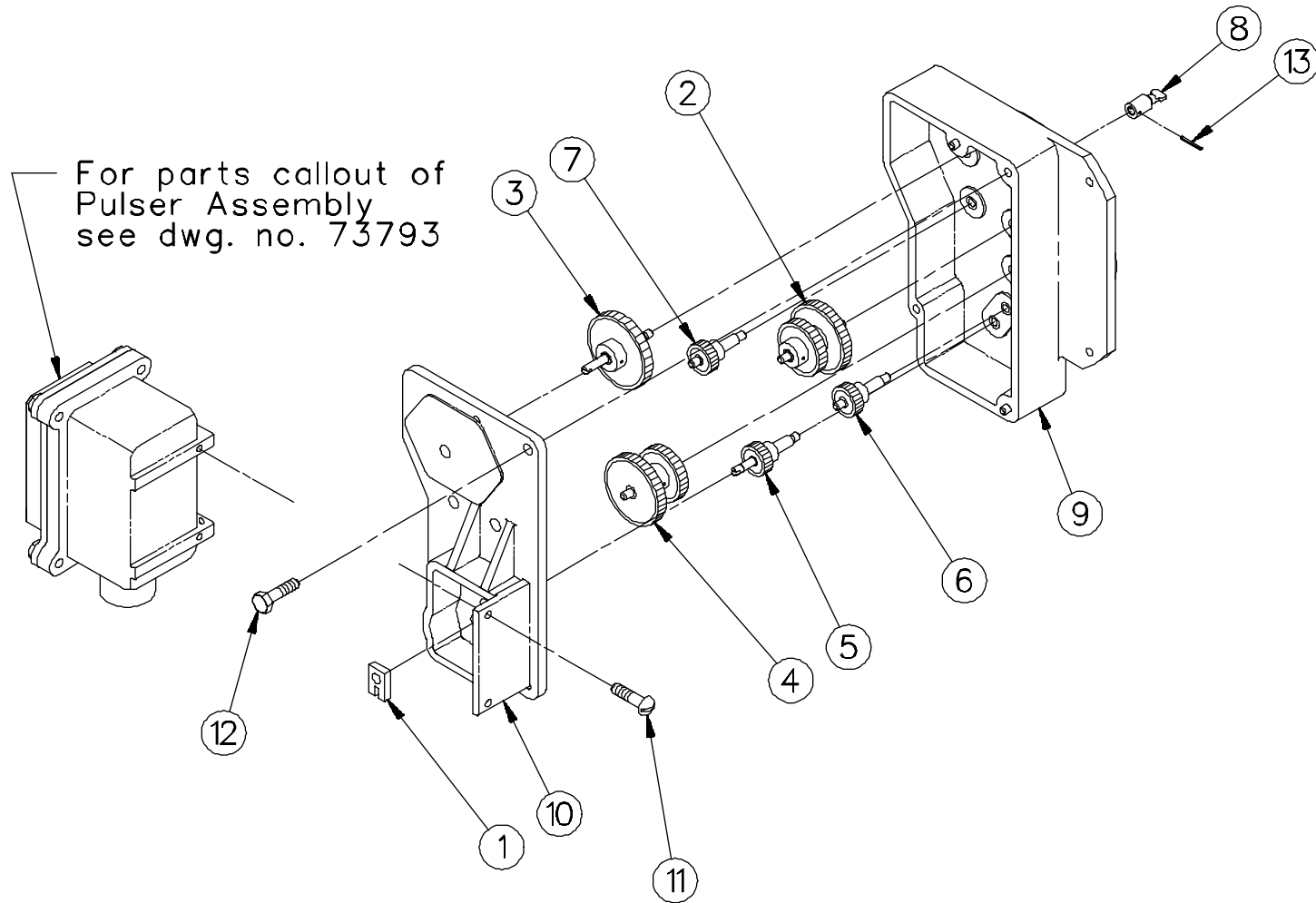
1-73778

PULSER AND GEAR BOX ASSEMBLY (262A-FL)

Item	Part No.	Description	Item	Part No.	Description
1	1-120282	Seal Wire & Seal	16	1-316536	Totalizer Bracket
2	1-130456	#8-32 x 3/8" Long Seal Screw	17	<u>Housing & Bearing Assembly</u>	
3	1-130463	Pop Rivet	316551-2	Gallons	
4	1-131371	Window	316551-3	Litre	
5	225042-5	Coupling Half Assembly	18	<u>Cover & Bearing Assembly</u>	
6	227461-2	Drive Shaft Assembly	316567-2	262A/AFL-M-HV-LC-RC (Gallons) (Left Side Totalizer)	
7	<u>Totalizer Drive Assembly</u>		316567-3	262AFL-MS-HV-LCS-RC (Gallons) (Right Side Totalizer)	
	227462-1	Gallons	316567-4	262AFL-HV-LCS-RC (Litre)	
	227462-2	Litre			
8	<u>Idler Assembly</u>		19	90-50001	#6-32 x 5/16" Long Round Head Machine Screw
	227463-2	Gallons	20	170-50001	#8-32 x 3/8" Long Round Head Machine Screw
	227463-3	Litre	21	02-50361	1/4-20 x 5/8" Long Hex Head Cap Screw
9	<u>Pulser Drive Assembly</u>		22	08-50641	#8 Lockwasher
	227464-1	Gallons	23	04-52901	1/16" Dia x 3/8" Long Roll Pin
	227464-2	Litre			
10	Idler Assembly		For complete Pulser & Gear Box Assembly order:		
	227465-1	Gallons	(Includes Totalizer Assembly)		
	227465-3	Litre	416935-3	262A/AFL-M-HV-LC-RC (Gallons) (Left Side Totalizer)	
11	227465-2	Idler Assembly	416935-4	262AFL-MS-HV-LCS-RC (Gallons) (Right Side Totalizer)	
12	Totalizer Assembly		416935-5	262AFL-HV-LCS-RC (Litre)	
	227470-1	262A/AFL-M-HV-LC-RC (Gallons) (Left Side Drive)	For complete Gear Box Assembly order:		
	227470-2	262AFL-MS-HV-LCS-RC (Gallons) (Right Side Drive)	416935-6	262A/AFL-M-HV-LC-RC (Gallons) (Left Side Totalizer)	
	227470-3	262AFL-HV-LCS-RC (Litre)	416935-7	262AFL-MS-HV-LCS-RC (Gallons) (Right Side Totalizer)	
13	227490-1	Pin & Coupling Assembly	416935-8	262AFL-HV-LCS-RC (Litre)	
14	1-230309	Coupling			
15	1-316527	Totalizer Guard			

PULSER & GEAR BOX ASSEMBLY

(262A/FL-M-HV-LCS-RC)
(TOTALIZER CABLE DRIVE)

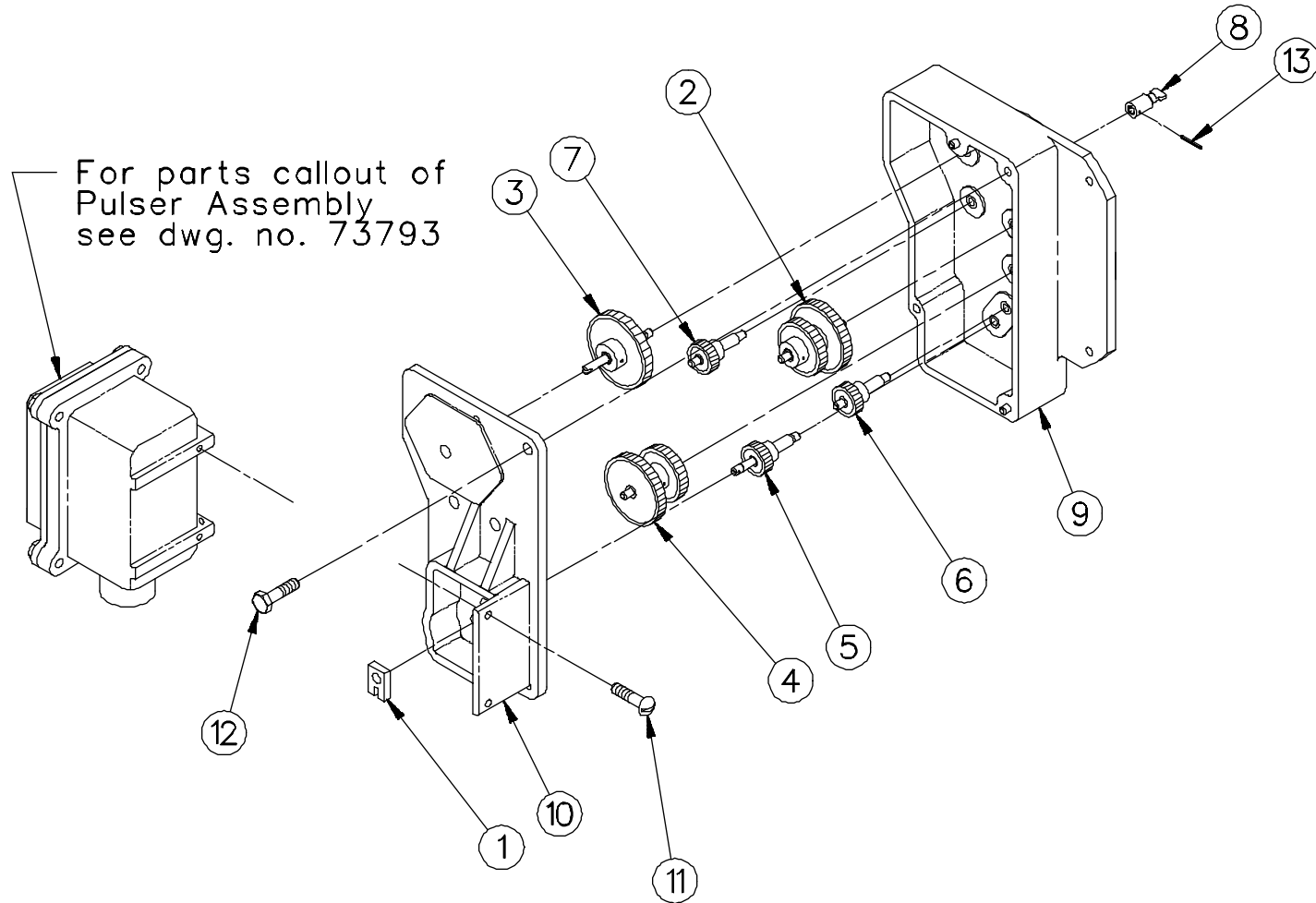


PULSER AND GEAR BOX ASSEMBLY
(262A-FL-M-HV-LCS-RC) (Totalizer Cable Drive)

<u>Item</u>	<u>Part No.</u>	<u>Description</u>	<u>Item</u>	<u>Part No.</u>	<u>Description</u>
1	225042-5	Coupling Half Assembly	9	<u>Housing & Bearing Assembly</u>	
2	227461-2	Drive Shaft Assembly		316551-2	Gallons
3	<u>Totalizer Drive Assembly</u>			316551-3	Litre
	227462-3	Gallons	10	<u>Cover & Bearing Assembly</u>	
	227462-4	Litre		316567-5	Gallon
4	<u>Idler Assembly</u>			316567-6	Litre
	227463-2	Gallons	11	174-50001	#8-32 x 1/2" Long Round Head Machine Screw
	227463-3	Litre	12	02-50361	1/4-20 x 5/8" Long Hex Head Cap Screw
5	<u>Pulser Drive Assembly</u>		13	04-52901	1/16" Dia x 3/8" Long Roll Pin
	227464-1	Gallons			
	227464-2	Litre			
6	<u>Idler Assembly</u>				For complete Pulser & Gear Box Assembly order:
	227465-1	Gallons			(Includes Totalizer Assembly)
	227465-3	Litre		416935-9	Gallon
7	227465-2	Idler Assembly		416935-10	Litre
8	1-230309	Coupling			For complete Gear Box Assembly order:
				416935-11	Gallon
				416935-12	Litre

PULSER & GEAR BOX ASSEMBLY

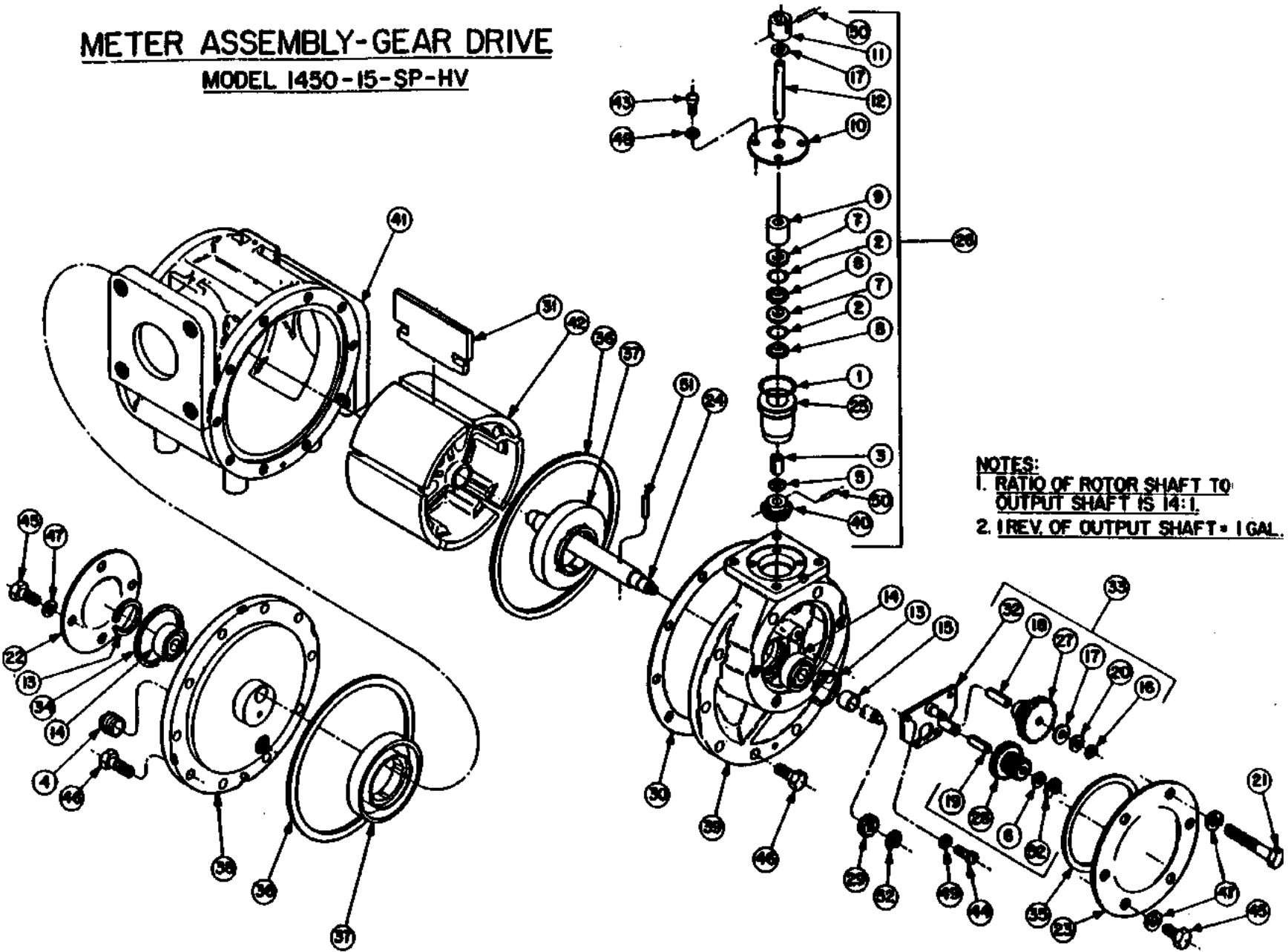
(262A/FL-M-HV-LCS-RC)
(TOTALIZER CABLE DRIVE)



PULSER ASSEMBLY for 262A (Model 88D)

<u>Item</u>	<u>Part No.</u>	<u>Description</u>	<u>Item</u>	<u>Part No.</u>	<u>Description</u>
1	1-120282	Seal & Seal Wire (16" Long)	16	417694-1	Pulser Board Assembly
2	1-126182	Washer	17	03-50361	1/4-20 x 3/4" Long Hex HeadCap Screw
3	<u>1/2" x 90° Conduit Street Elbow</u>		18	20-50721	#6-32 x 1/4" Long Hex Socket Headless Cup Point Set Screw
	1-128035	262AFL-MS-HV-RC	19	03-50761	#6 Shakeproof Lockwasher
	<u>Conduit</u>		20	04-52482	Truarc Retaining Ring
	4-227372	262A, 262A-RC, 262A-1-TW, 262A-HD-1-TW	21	03-52920	Truarc Retaining Ring
	1-230943	Nipple (262A-HS)	22	07-52922	Truarc Retaining Ring
	1-318928	262AFL-M/MS-RC, 262AFL-M-1-RC-TW	23	1-118850	Seal Wire & Seal
	01-50710	Nipple (262A-2-TW & 262A Canada)	24	1-127940	Hex Head Seal Screw
4	1-130465	#6-32 x 3/8" Long Hex Slotted Head Thread Cutting Screw	25	1-131314	Shaft
5	1-131508	Washer	26	1-227288	Bracket
6	1-217337	Conduit Tee (262A-2-TW)	27	1-227289	Clip
	1-219892	Expansion Union (262A/A-RC, 262A-1-TW, 262A/AFL-M-HV-LC-RC & 262AFL-MS-HV-LC-RC, 262AFL-M/MS-RC, 262AFL-M-1-RC-TW)	28	05-50211	#10 Hex Nut
8	1-228106	Gear	29	10-50641	#10 Lockwasher
9	228114-1	Shaft Assembly			
10	<u>Disc & Bearing Assembly</u>				Reference: 231109-1 Sensor Housing Assembly
	228154-1	All models except listed below			For complete model 88D Pulser Assembly order:
	228154-2	262A/AFL-M/MS-HV-LC-RC	417759-3	262A/A-RC	
11	1-316688	Pulser Box Cover	417759-4	262A-1-TW (Hose #1)	
12	1-317097	Sensor Housing	417759-5	262A-2-TW	
13	<u>Box Support</u>		417759-7	262A/AFL-M-HV-LC-RC	
	1-317099	All models except listed below	417759-8	262A-2-TW (3/4 h.p. motor)	
	2-317099	262A (Canada), 262A/AFL-M/MS-HV-LC-RC	417759-9	262AFL-RC, 262AFL-M-RC, 262AFL-MS-RC,	
14	<u>Pulser Box & Bearing Assembly</u>			262AFL-M-1-RC-TW	
	317101-1	All models except listed below	417759-12	262A, 262A-RC, 262A-1-TW (Hose #1), 262A-1/2-RC-TW, 262A-HD	
	317101-2	262A/AFL-M-HV-LC-RC & 262AFL-MS-HV-LC-RC	417759-13	262A-1-TW (Hose #1)	
15	<u>Wire Harness Assembly</u>		417759-14	262A-2-TW	
	317473-2	262A, 262A-RC, 262A-2-TW & 262AFL-RC-MS	417759-15	262A-HS	
	317473-3	262A-1-TW	417759-16	262AFL-MS-HV-LCS-RC	
	317473-5	262A/AFL-M-HV-LC-RC	417759-17	262A-HD-1-TW (Hose #1)	
	317473-6	262A-2-TW			
	317473-8	262A-HS			
	317473-9	262AFL-MS-HV-LC/LCS-RC			
	317473-10	262A-HD-1-TW			

METER ASSEMBLY-GEAR DRIVE MODEL 1450-15-SP-HV



- NOTES:**
- 1. RATIO OF ROTOR SHAFT TO OUTPUT SHAFT IS 14:1.
 - 2. 1 REV. OF OUTPUT SHAFT = 1 GAL.

1-741162

1-741162

1 of 1

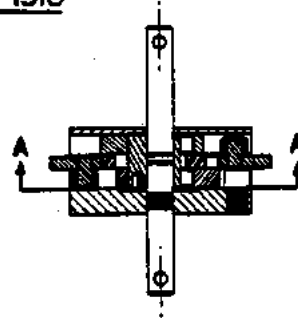
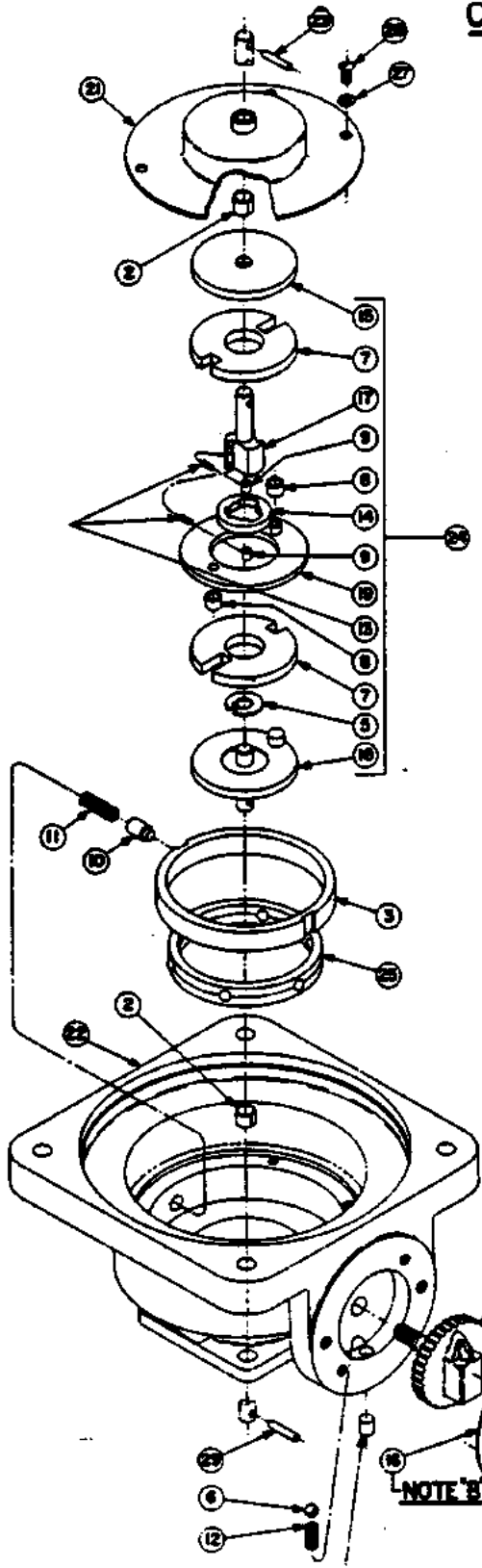
MODEL 1450-15-SP-HV METER ASSEMBLY - GEAR DRIVE

<u>Item</u>	<u>Part No.</u>	<u>Description</u>	<u>Item</u>	<u>Part No.</u>	<u>Description</u>
1	17-37106	"O" Ring	31	<u>Blade</u>	(Proper blade determined by using blade identifier letter stamped on serial # plate.)
2	15-38210	"O" Ring		1-225077	Blade "A"
3	5-125117	Bearing Insert		2-225077	Blade "B"
4	2-125936	1/4 Square Head Pipe Plug		3-225077	Blade "C"
5	1-126182	Washer		4-225077	Blade "D"
6	1-126341	Washer			
7	2-126898	Seal	32	226143-1	Gear Plate & Shaft Assembly
8	1-126902	Seal Retaining Ring	33	226144-1	Gear Train Assembly
9	1-127617	Upper Bearing	34	22-311105	Gasket
10	1-127618	Packing Gland Plate	35	36-311105	Gasket
11	1-127619	Coupling	36	44-311105	Gasket
12	1-127620	Drive Shaft	37	2-311803	Blade Ring
13	2-127672	Retaining Ring	38	311804-1	Cover Assembly (Includes Items 13 & 14)
14	1-127673	Bearing	39	311805-1	Gear Cover & Pin Assembly (Includes Items 13 & 14)
15	1-127821	Spacer	40	3-315174	Miter Gear (24 Teeth)
16	1-127863	Retaining Ring Type 5100	41	1-410797	Meter Body
17	1-128068	Washer	42	1-415582	Rotor
18	1-128075	Bearing	43	88-50183	#10-24 X 3/8 Long Fillister Head Machine Screw
19	3-128075	Bearing Insert	44	119-50183	#12-24 X 3/8 Long Fillister Head Machine Screw
20	1-128087	Washer	45	01-50361	1/4-20 X 1/2 Long Hex Head Cap Screw
21	1-129168	Seal Screw	46	03-50361	1/4-20 X 3/4 Long Hex Head Cap Screw
22	1-221454	Bearing Cover	47	13-50641	1/4 Lockwasher
23	1-221455	Inspection Cover	48	23-50763	#1210 Shakeproof Lockwasher
24	1-221456	Rotor Shaft Assembly (Includes Item 51)	49	24-50763	#1212 Shakeproof Lockwasher
25	1-221546	Packing Capsule	50	25-51323	Groov-Pin "Type 5" 3/32 Dia X 5/8 Long
26	221547-1	Packing Capsule Assembly	51	41-51341	Groov-Pin 1/8 Dia X 5/8 Long
27	222014-6	Gear Assembly (48/24 Teeth) (Includes Item 18)	52	05-53420	Truarc retaining Ring Type 5133
28	222015-6	Gear Assembly (42/12 Teeth) (Includes Item 19)			
29	2-222749	Gear (12 Teeth)			
30	<u>Shim</u> (Specify Number Of Each Color Req,d.)				
	1-222795	"Red"			
	2-222795	"Green"			

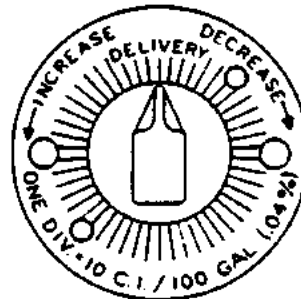
Order: 1-317328 for complete Meter Assembly w/ calibrator

1-741162

CALIBRATOR ASSEMBLY
MODEL 1510



VIEW A-A
VIEW SHOWING POSITION
OF SPRINGS & ROLLERS
IN CLUTCH ASSEMBLY.



SEALED ADJUSTMENT DIAL

NOTE 1 IF TEST MEASURE SHOWS LESS THAN METER-INCREASE ADJUSTMENT.
IF TEST MEASURE SHOWS MORE THAN METER-DECREASE ADJUSTMENT.

FOR MOUNTING HARDWARE, SEE GENERAL ASSEMBLY DRAWING.

NOTE 2

FURNISHED LOOSE WITH ITEM 22.
PRESS IN FLUSH AFTER ITEMS 6, 12,
20, 16 & 26 HAVE BEEN ASSEMBLED.

4-74285

MODEL 1510 CALIBRATOR ASSEMBLY

<u>Item No.</u>	<u>Part No.</u>	<u>Description</u>
1	1-118849	Seal Wire & Seal
2	4-125117	Bearing Insert
3	1-127630	Control Ring
4	2-127634	Special Thumb Screw
5	1-127635	Clutch Washer
6	1-127636	Ball 3/16 Diameter
7	1-127638	Washer
8	1-127639	Roller
9	1-127641	Roller
10	1-127644	Guide Pin
11	1-127648	Spring
12	1-127649	Spring
13	1-127650	Spring
14	1-127652	Clutch Spacer
15	1-127661	Retaining Disc
16	1-221418	Dial Plate
17	221419-1	Clutch Core Assembly
18	221420-1	Drive Disc Assembly
19	221421-1	Stroke Ring Assembly
20	221423-1	Knob Assembly
21	221426-1	Cover Assembly
22	221428-2	Housing & Bearing Assembly (With Plugs)
23	1-221429	Dial Cover
24	311790-1	Clutch Assembly
25	1-311843	Ball Retainer Complete
26	166-50001	#8-32 X 1/4 Long Round Head Machine Screw
27	03-50761	#1106 Shakeproof Lockwasher
28	13-51441	#6 X 5/16 Long. Round Head Self-Tapping Screw
29	49-52901	Roll Pin 1/8 Diameter X 5/8 Long

For Complete calibrator assembly order: 410770-2

4-74285