

Suction System

Suction System

Models 11101 & 11111

Models 22201 & 22221

Motor Assembly

Models 11101 & 11111

Models 22201 & 22221

Rotary Pump Assembly

Rotary Pump & Air Separator

SUCTION SYSTEM MODELS 11101 & 11111

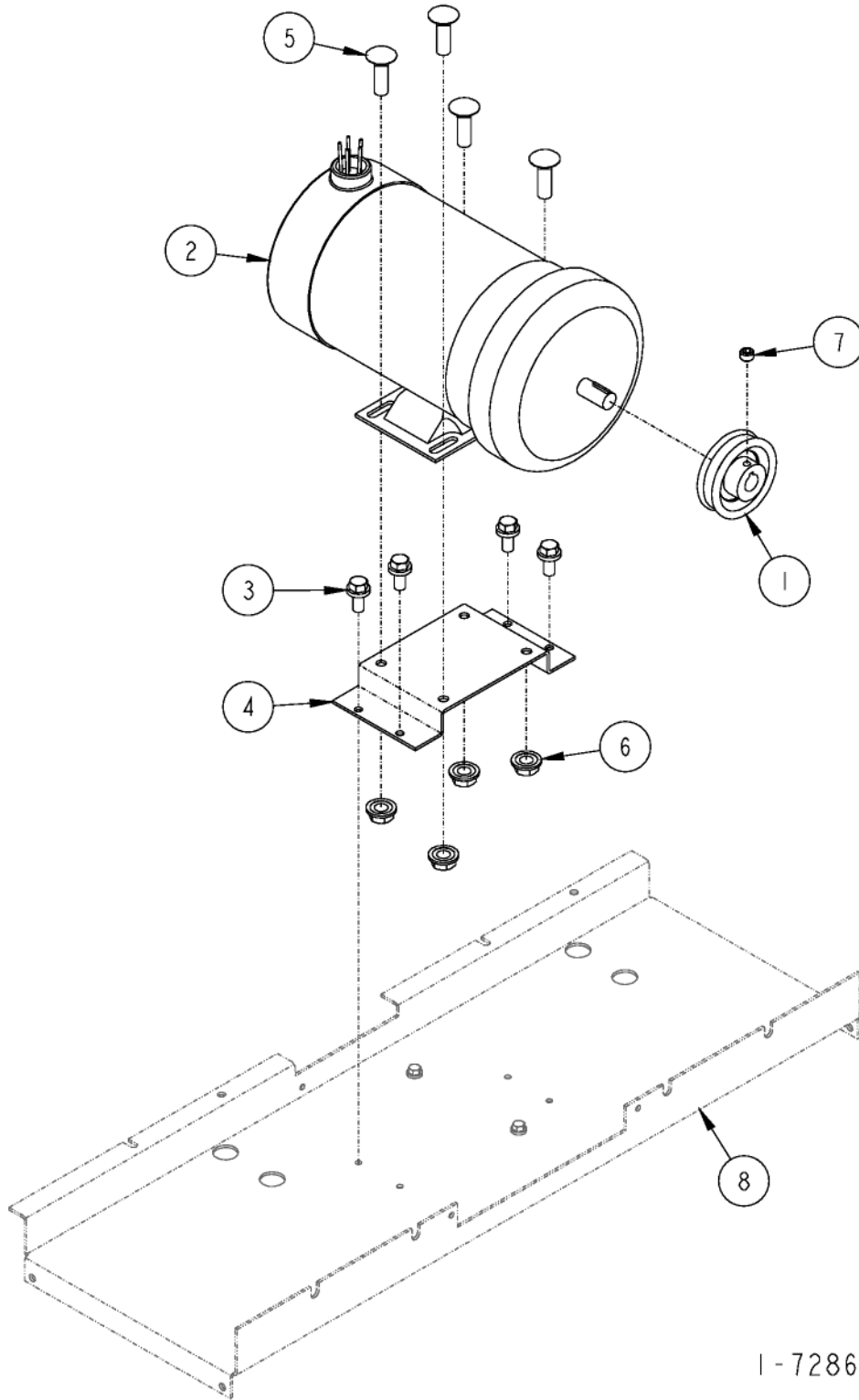
ITEM NO.	PART NO.	DESCRIPTION
1	<u>V- Belt</u>	
	38-37852	4L300 (115v, 230v & 380v 50hz)
	39-37852	4L280 (115v, 230v & 380v 60hz)
2	1-321228	Vapor Vent Tube
3	4070113-14	Tubing Adapter
4	4070358	Fluid Line (Product #1)
5	4160009	"O" Ring (7/8" Tube)
6	05-51710	3/4" Street Elbow
7	06-51710	1" Street Elbow
8	11-51850	1" x 3/4" Hex Bushing
9	23-51850	1 1/2" x 3/4" Reducer
10	14-52020	Compression Elbow
11	05-52040	Compression Sleeve
12	14-52040	Compression Nut
13	8300073	Air Separator Vent
14	8300074	Air Separator Vent Nut
15	<u>For parts call out of Meters, Pulsers & Totalizers see</u>	
16	<u>For parts call out of Lower Frame Assembly see 72856.</u>	
17	<u>For parts call out of Motor Assembly see 72860.</u>	
18	<u>For parts call out of Rotary Pump Assembly see 72862.</u>	

SUCTION SYSTEM

MODELS 22201 & 22221

ITEM NO.	PART NO.	DESCRIPTION
1	16-37852	V-Belt (4L370)
2	<u>V-Belt</u>	
	38-37852	4L300 (115v, 230v & 380v 50hz)
	39-37852	4L280 (115v, 230v & 380v 60hz)
3	1-321227	Vapor Vent Tube
4	1-321228	Vapor Vent Tube
5	4070113-14	Tubing Adapter
6	4070358	Fluid Line (Product #1)
7	4070359	Fluid Line (Product #2)
8	4160009	"O" Ring (7/8" Tube)
9	05-51710	3/4" Street Elbow
10	06-51710	1" Street Elbow
11	11-51850	1" x 3/4" Hex Bushing
12	23-51850	1 1/2" x 3/4" Reducer
13	14-52020	Compression Elbow
14	05-52040	Compression Sleeve
15	14-52040	Compression Nut
16	8300073	Air Separator Vent
17	8300074	Air Separator Vent Nut
18	<u>For parts call out of Meters, Pulsers & Totalizers see</u>	
19	<u>For parts call out of Lower Frame Assembly see 72856.</u>	
20	<u>For parts call out of Motor Assembly see 72861.</u>	
21	<u>For parts call out of Rotary Pump Assembly see 72862.</u>	

MOTOR ASSEMBLY
MODEL 11101 & 11111



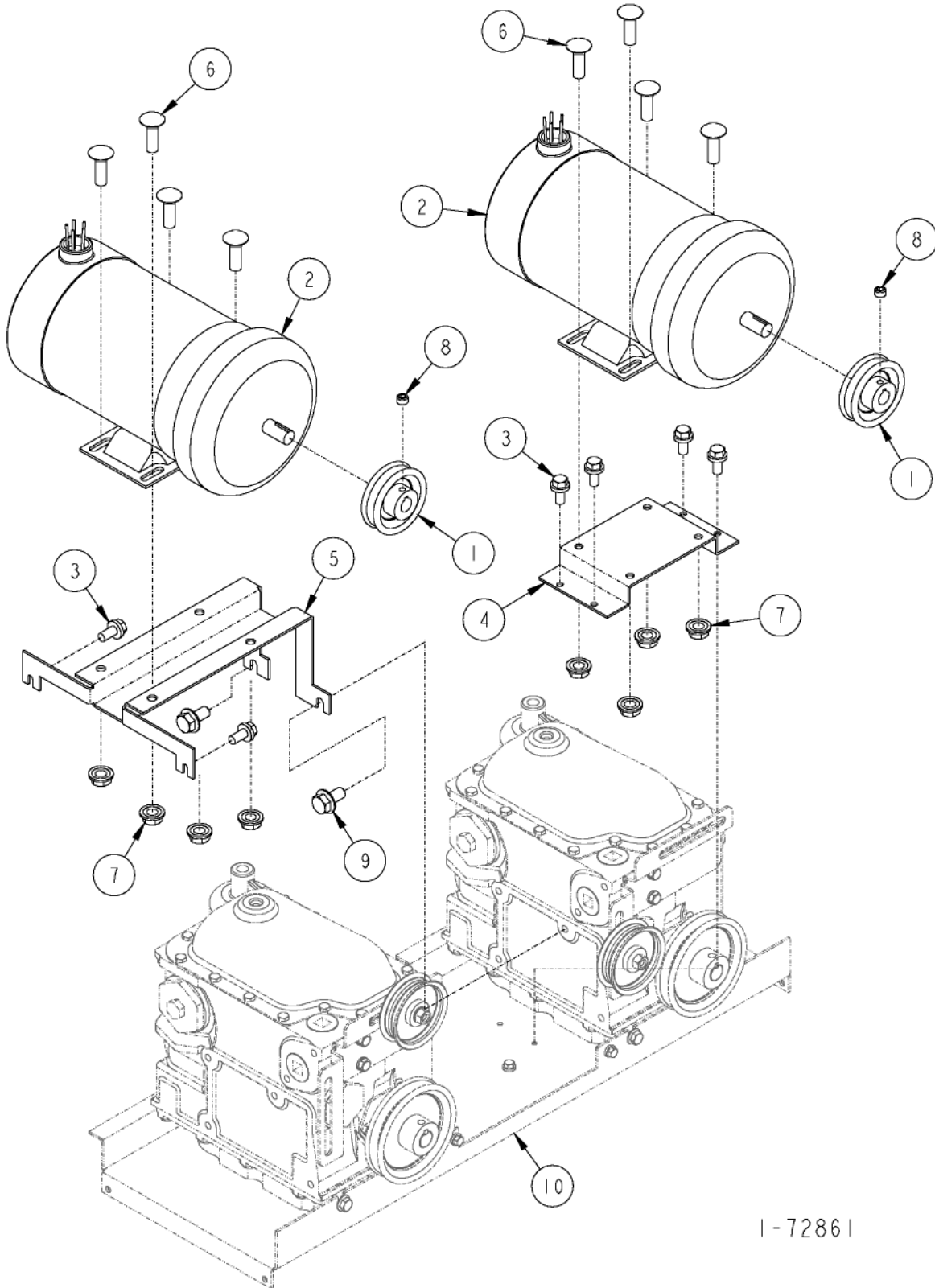
1-72860

MOTOR ASSEMBLY

MODELS 11101 & 11111

ITEM NO.	PART NO.	DESCRIPTION
1	<u>Motor Pulley</u>	
	1-119529	50 Hz Motor
	2-221339	60 Hz Motor
2	<u>Franklin Electric 3/4 H.P. Motor</u>	
	7-422608	115 Volt 60 Hz
	8-422608	230 Volt 60 Hz
	9-422608	380 Volt 60 Hz
3	4005047	1/4-20 x 1/2" Long Hex Head Self Tapping Screw
4	8200498	Lower Motor Bracket
5	182-52198	5/16-18 x 5/8" Long Carriage Bolt
6	02-54752	5/16-18 M-F Flange Whiz Lock Nut
7	65-50721	5/16-18 x 1/4" Long Hex Socket Head Cup Point Set
8	For parts call out of Rotary Pump Assembly see 72862.	

MOTOR ASSEMBLY
MODEL 22201 & 22221



1-72861

MOTOR ASSEMBLY

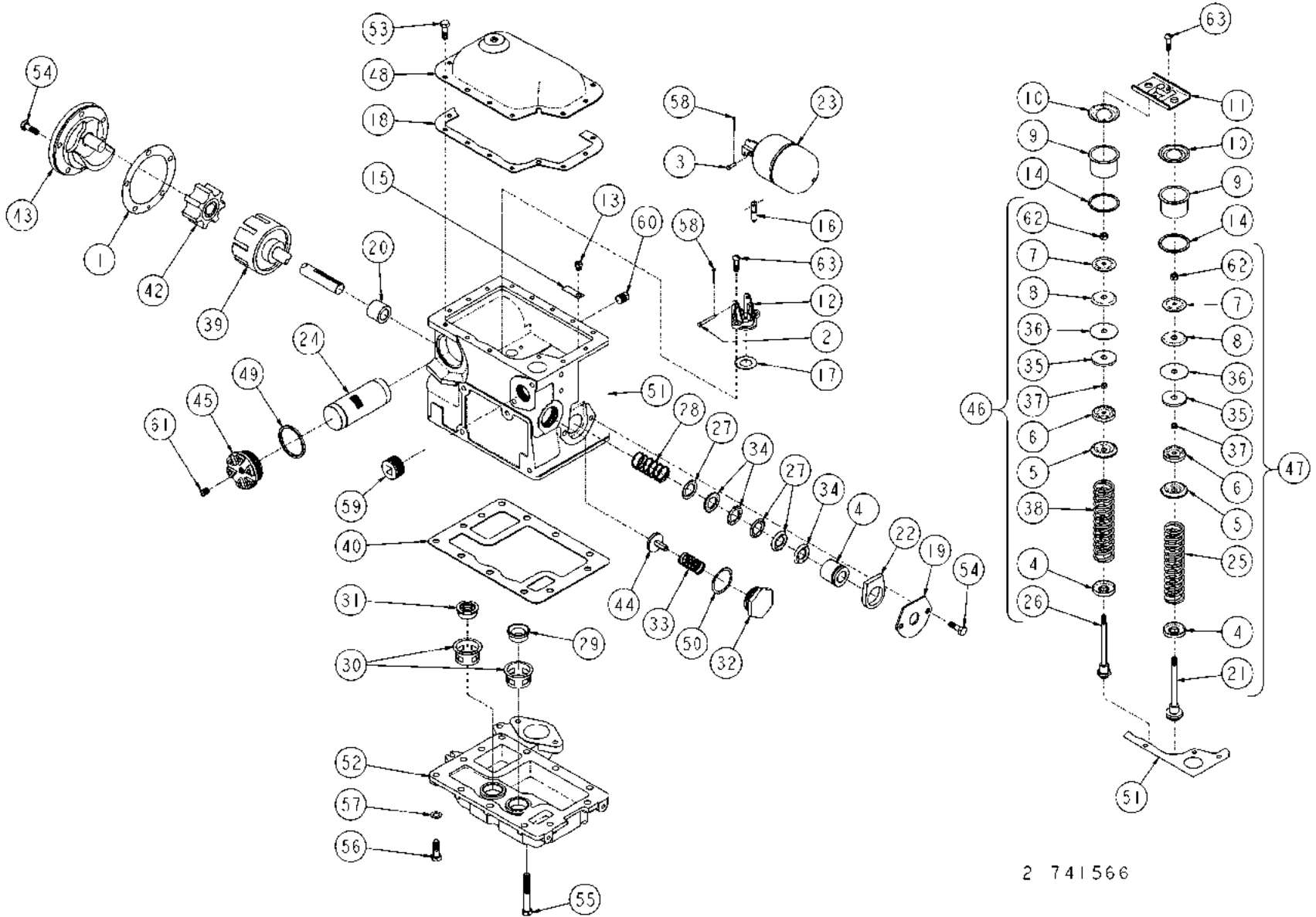
MODELS 22201 & 22221

ITEM NO.	PART NO.	DESCRIPTION
1	<u>Motor Pulley</u>	
	1-119529	50 Hz Motor
	2-221339	60 Hz Motor
2	<u>Franklin Electric 3/4 H.P. Motor</u>	
	7-422608	115 Volt 60 Hz
	8-422608	230 Volt 60 Hz
	9-422608	380 Volt 60 Hz
3	4005047	1/4-20 x 1/2" Long Hex Head Self Tapping Screw
4	8200498	Lower Motor Bracket
5	8200503	Upper Motor Bracket
6	182-52198	5/16-18 x 5/8" Long Carriage Bolt
7	02-54752	5/16-18 M-F Flange Whiz Lock Nut
8	65-50721	5/16-18 x 1/4" Long Hex Socket Head Cup Point Set
9	35-55132	5/16-18 x 5/8" Long M-F Flange Whiz Lock Screw
10	For parts call out of Rotary Pump Assembly see 72862.	

ROTARY PUMP ASSEMBLY

ITEM NO.	PART NO.	DESCRIPTION
1	2-13867	Washer
2	1-119636	Key
3	1-216295	Pump Pulley
4	1-217902	Pump Inlet Connection Gasket
5	1-221668	Idler Pulley
6	1-38510	Pump Inlet Connection
7	4005047	5/16-18 x 5/8" Long Hex Head Self Tapping
8	8200491	Idler Arm
9	8200497	Pump Support
10	03-50301	3/8-16 Hex Nut
11	03-50361	1/4-20 x 1-1/4" Long Hex Head Cap Screw
12	33-50361	5/16-18 x 3/4" Long Hex Head Cap Screw
13	67-50361	3/8-16 x 1-1/2" Long Hex Head Cap Screw
14	297-50361	3/8-16 x 1-1/8" Long Hex Head Cap Screw
15	124-50560	1-1/2" x Long Pipe
16	02-50611	1/4" Plate Washer
17	03-50611	5/16" Plate Washer
18	14-50641	5/16" Lockwasher
19	15-50641	3/8" Lockwasher
20	65-50721	5/16-18 x 1/4" Long Hex Socket Head Cup Point Scre
21	27-50761	3/8" Lockwasher
22	07-51780	1-1/2" Female Union
23	27-51911	1" Pipe Plug
24	01-54752	1/4- 20 M-F Flange Whiz Lock Nut
25	35-55132	5/16-18 x 5/8" Long M-F Flange Whiz Lock Screw
26	<u>For parts call out of Lower Frame Assembly see 72856.</u>	
27	<u>For parts call out of Rotary Pump & Air Separator see 741566.</u>	

ROTARY PUMP & AIR SEPARATOR



2 741566

ROTERY PUMP & AIR SEPARATOR

ITEM NO.	PART NO.	DESCRIPTION	ITEM NO.	PART NO.	DESCRIPTION	ITEM NO.	PART NO.	DESCRIPTION
1	1-17526	Gasket	33	1-120733	Poppet Spring	51	(Continued)	
2	1-18654	Float Lever Pin	34	1-121394	"V" Packing			Item #28, (3 ea) Item #34,
3	1-18655	Valve Pin	35	1-126295	Plunger Guide			(1 ea) Item #40, (1 ea) Item
4	1-18716	Guide Plate	36	1-126343	Plunger Disc			#41, (1 ea) Item #49, (1 ea)
5	1-18717	Spring Plate	37	1-126344	Plunger Spacer			Item #50
6	1-18718	Plunger Head	38	By-Pass Valve Spring		52	408143-2	Lower Pump Head With
7	1-18719	Plunger Plate		1-18735	34 to 35-1/2 Lbs.			Valve Seat Guides,
8	1-18720	Plunger Follower		1-19048	53 Lbs.			Regulating Valve Seat
9	1-18721	Valve Cylinder		1-131178	44-1/2 Lbs.	53	01-50360	1/4-20 x 1/2" Long Hex Head
10	1-18722	Cylinder Head		1-230439	60 lbs.			Cap Screw
11	1-18731	Clamp Plate		1-231015	60 lbs. (Stainless Steel)	54	34-50360	5/16-18 x 7/8" Long Hex Head
12	1-18734	Float Valve Body	39	25664-1	Pump Rotor Shaft Assembly			Cap Screw
13	1-18750	Vent Screw	40	1-25879	Bottom Head Gasket	55	71-50360	3/8-16 x 2-1/2" Long Hex Head
14	1-18792	Valve Cylinder Gasket	41	1-210024	Drive Shaft Bearing			Cap Screw
15	1-18799	Vent Screw Guard	42	1-211816	Rotary Pump Idler	56	297-50360	3/8-16 x 1-1/8" Long Hex Head
16	1-18860	Float Valve Needle	43	211818-1	Rotary Pump Head			Cap Screw
17	1-18961	Float Valve Gasket	44	213168-1	Poppet Disc & Relief Valve	57	15-50641	3/8" Lockwasher
18	2-113691	Cover Gasket			Assembly	58	17-51210	1/16" Dia. x 1/2" Long Cotter
19	1-113698	Retainer	45	1-232289	Strainer Cap			Pin
20	1-113703	Bearing	46	217897-5	By-Pass Valve Assembly	59	27-51901	1" Pipe Plug
21	113776-1	Regulating Poppet			(44-1/2 Lbs)	60	02-51911	1/4" Square Head Pipe Plug
22	1-113819	Oil Well Felt	47	217898-1	Regulating Valve Assembly	61	38-51911	1/4" Countersunk Pipe Plug
23	114064-1	Float Assembly	48	1-32089	Separator Cover	62	01-52321	1/4-28 Hex Nut
24	1-115075	Suction Screen	49	2-313235	Gasket	63	403-54921	1/4-20 x 7/8" Long Phillips Pan
25	1-115642	Regulating Valve Spring	50	21-313235	Gasket			Head Machine Screw
26	1-116628	By-Pass Valve Poppet	51	2-402334	Rotary Pump & Separator			
27	1-117475	Packing Gland			Body (Note: Order also (1			For complete Rotary Pump Repair Kit order.
28	1-117660	Packing Spring			Item #13, (2 ea) Item #14, (1			225183-1
29	1-118590	Regulating Valve Seat			ea) Item #15, (1 ea) Item			For complete 855-CC Rotary Pump & Air
30	1-118591	Valve Seat Guide			(1 ea) Item #20, (1 ea)			Separator order: 405952-51
31	1-118640	By-Pass Valve Seat			(3 ea) Item #27, (1 ea)			
32	2-120731	Check Valve Cap						2-741566

