

## 9 – Cable Assemblies (Encore 300/300 Ultra-Hi)

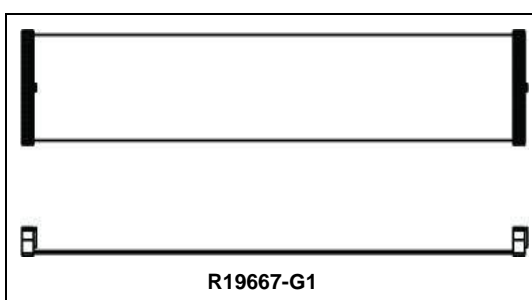
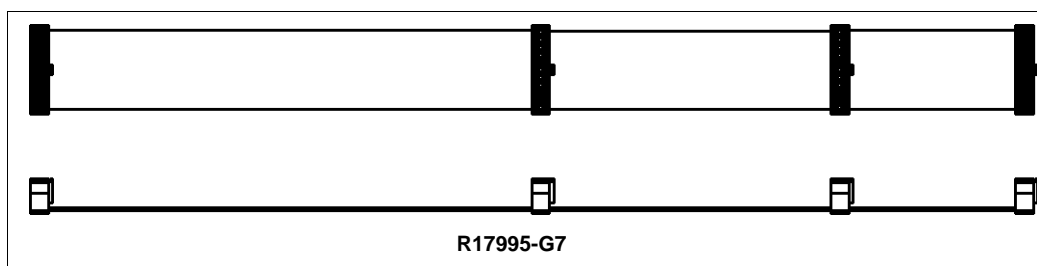
Cable Assemblies (Encore 300/300 Ultra-Hi)

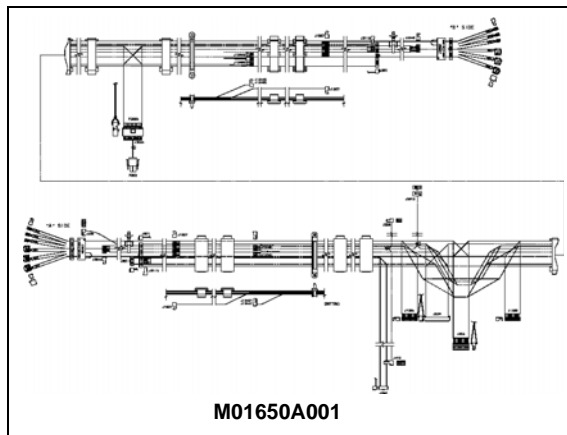
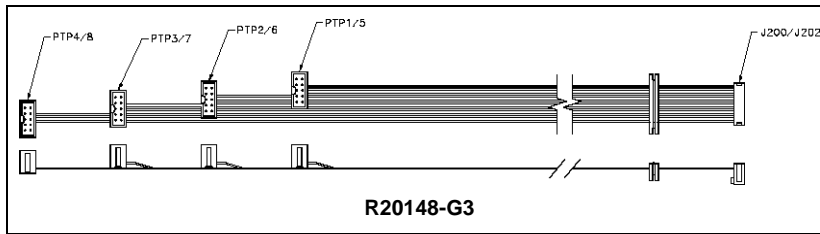
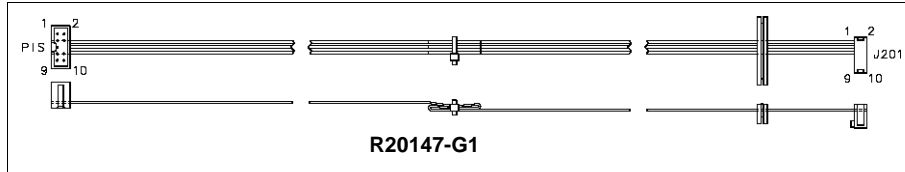
*Note: For cable block diagram, refer to MDE-3804 Encore and Eclipse Start-up/Service Manual.*

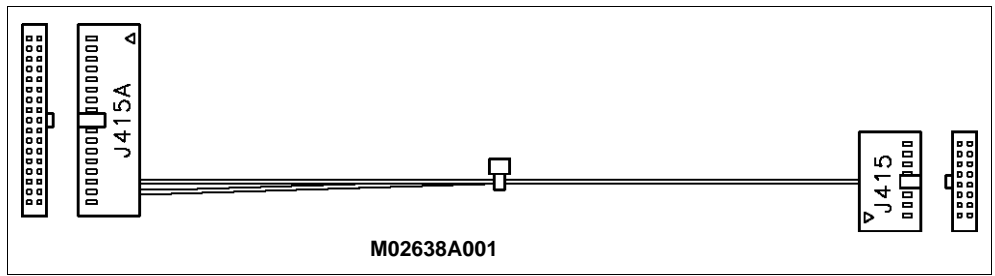
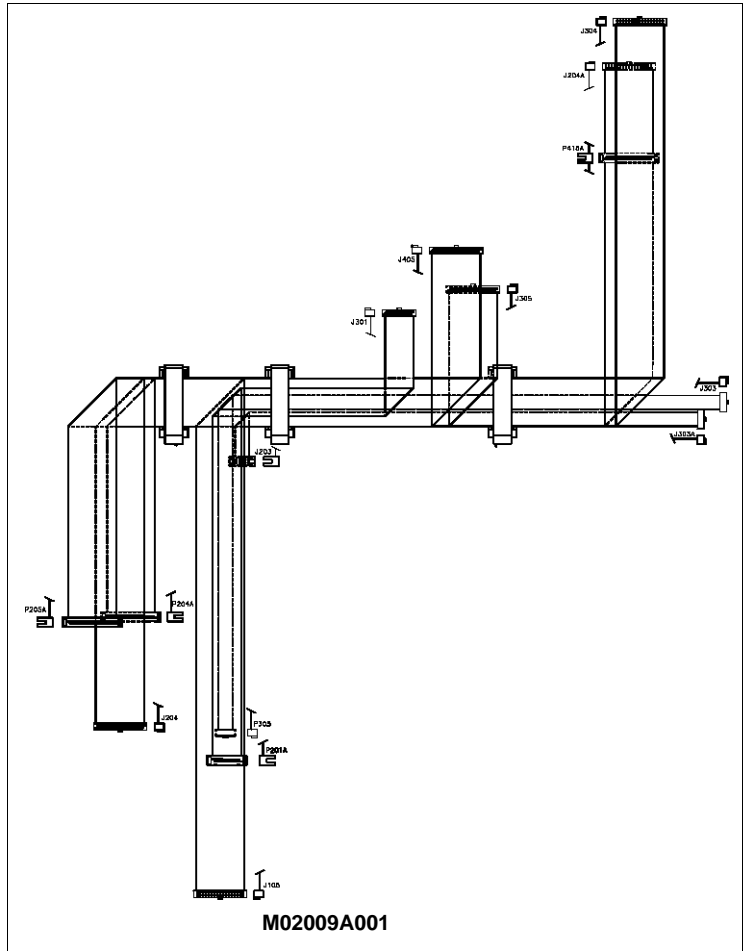
### Automatic Temperature Control (ATC) Option

| Item # | Cable Description         | Current Part | Previous Part |
|--------|---------------------------|--------------|---------------|
| 1      | Reg/Logic Cable           | R17995-G7    | -             |
| 2      | Ribbon Cable 34           | R19667-G1    | -             |
| 3      | Power Data Cable          | R20128-G1    | -             |
| 4      | I.S. Barrier Cable        | R20147-G1    | -             |
| 5      | T-meter/Meter Probe Cable | R20148-G3    | -             |
| 6      | Main Interface Cable      | M01650A001   | -             |
| 7      | Main Interface ATC Cable  | M02009A001   | -             |
| 8      | ATC Calibration           | M02638A001   | -             |

### ATC Cable Illustrations





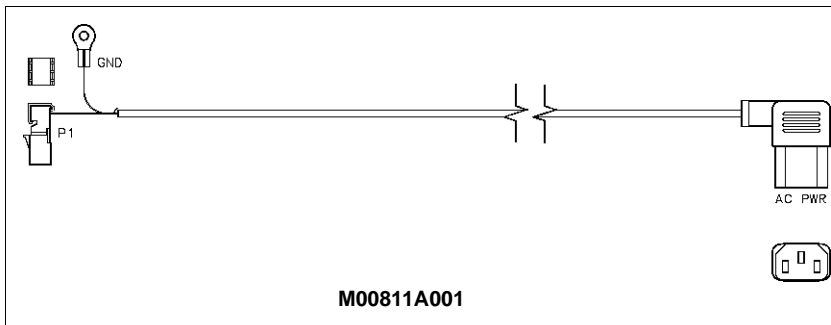
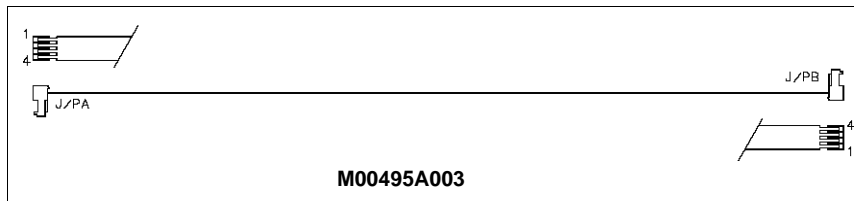


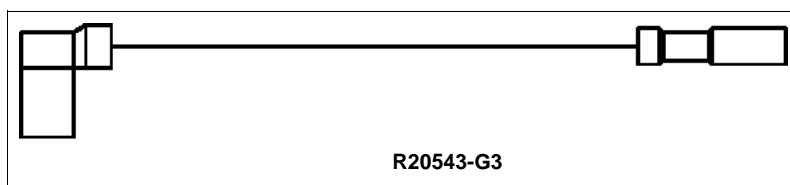
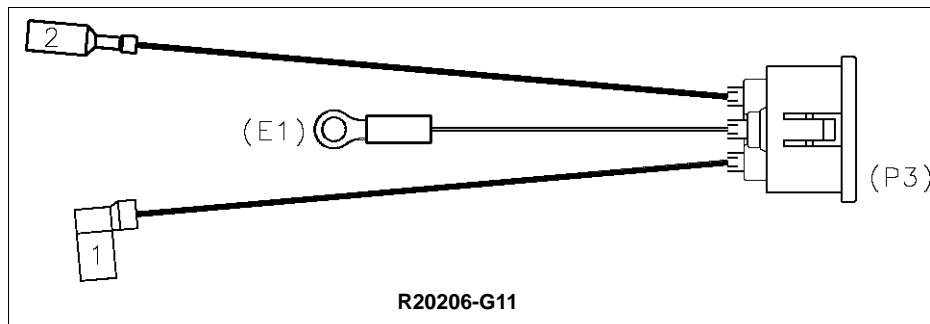
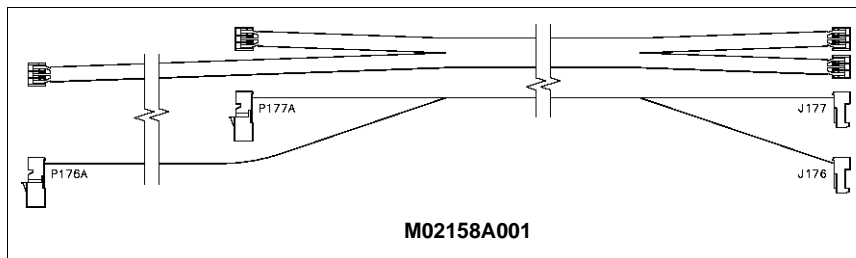
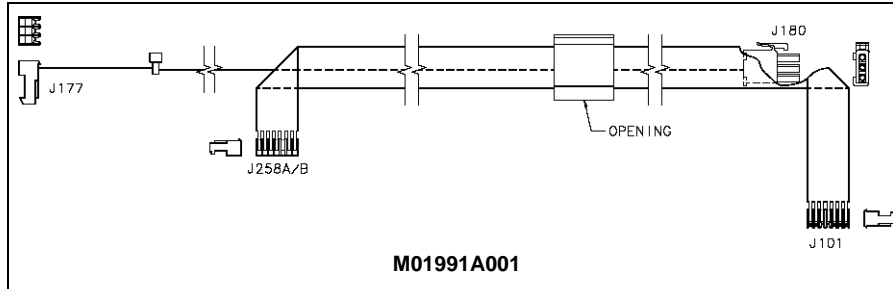
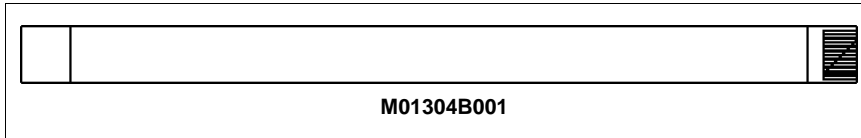
## Barcode Scanner Option

| Item # | Cable Description  | Current Part | Previous Part | Where Used |
|--------|--|--------------|---------------|------------|
| 1      | Scanner Board to Light Board Cable                                   | M00495A003   | -             | C          |
| 2      | AC Power Cable   | M00811A001   | -             | C          |
| 3      | Barcode Scanner Cable  | M01304B001   | -             | C          |
| 4      | Scanner Cable Assembly   | M01991A001   | -             | C          |
| 5      | Scanner Power Interface Cable  | M02158A001   | -             | C          |
| 6      | Input/Transer TI/Radio Frequency Identifier Device (RFID) (P3) Cable | R20206-G11   | -             | C          |
| 7      | Power Input to Transformer Cable                                     | R20543-G3    | -             | C          |

**Where Used Key:**  
A. Encore 300 only  
B. Ultra-Hi only  
C. Both (Encore 300 and Ultra-Hi)

## Barcode Scanner Cable Illustrations

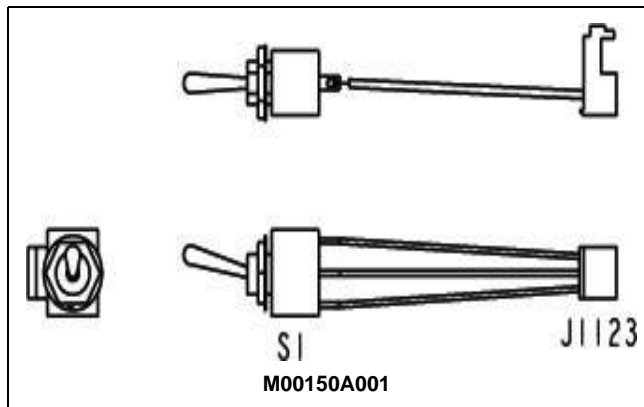


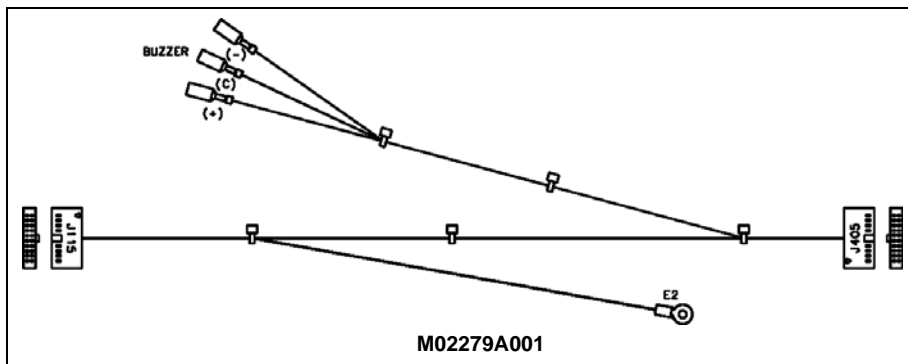
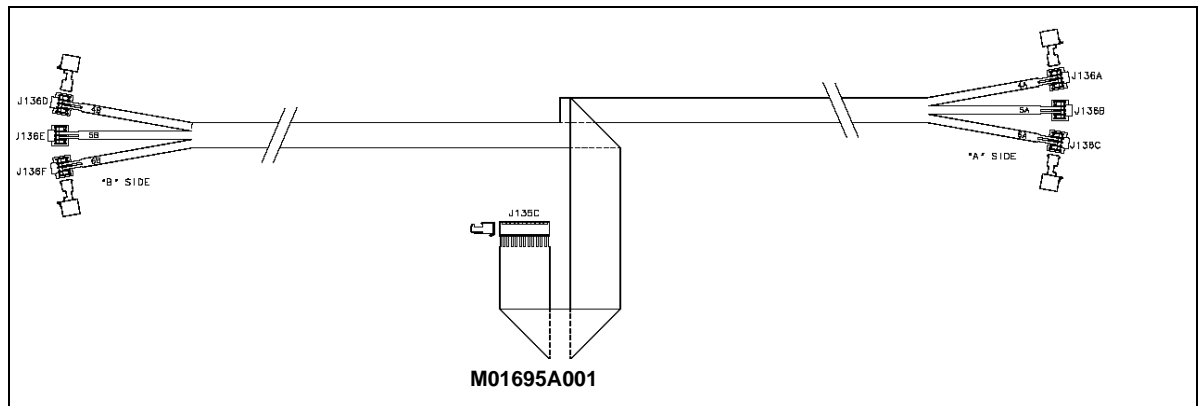
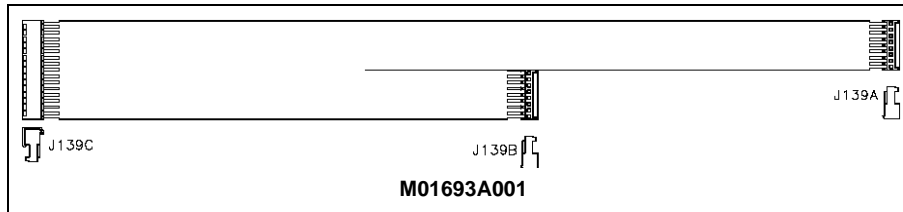
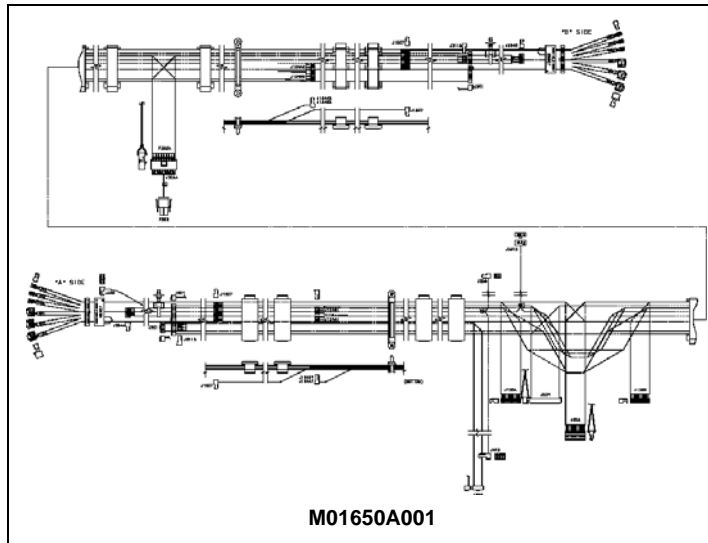


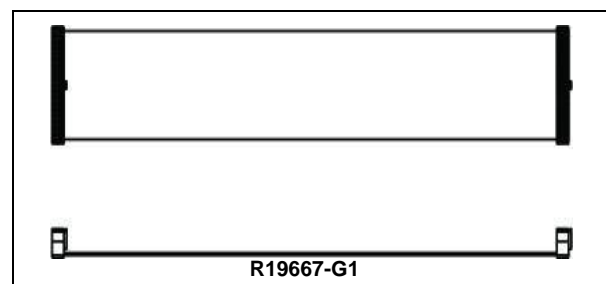
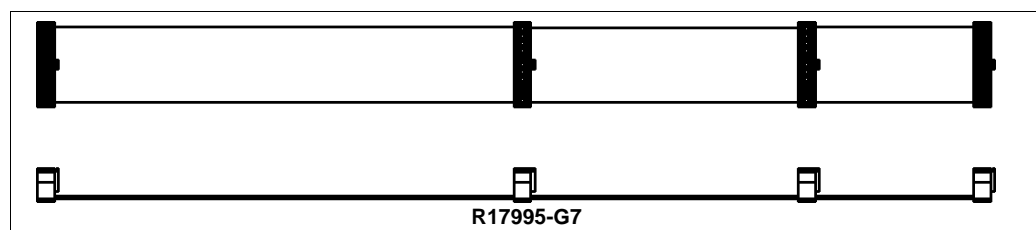
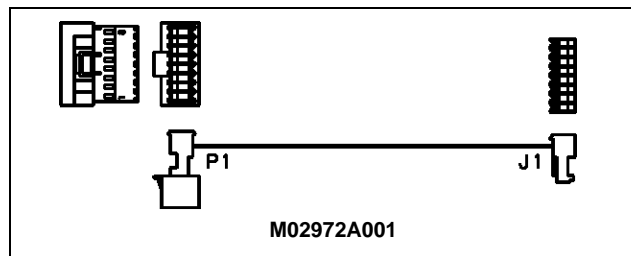
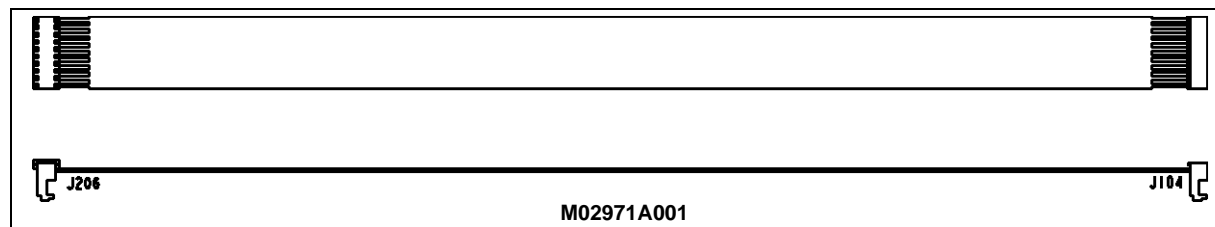
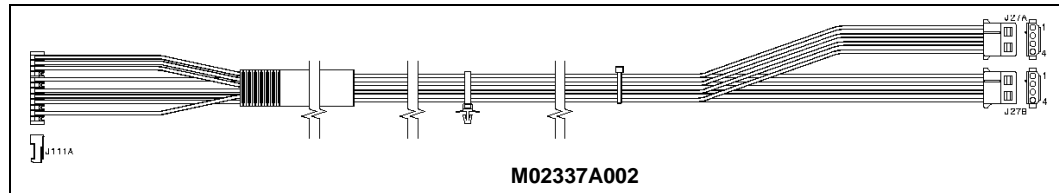
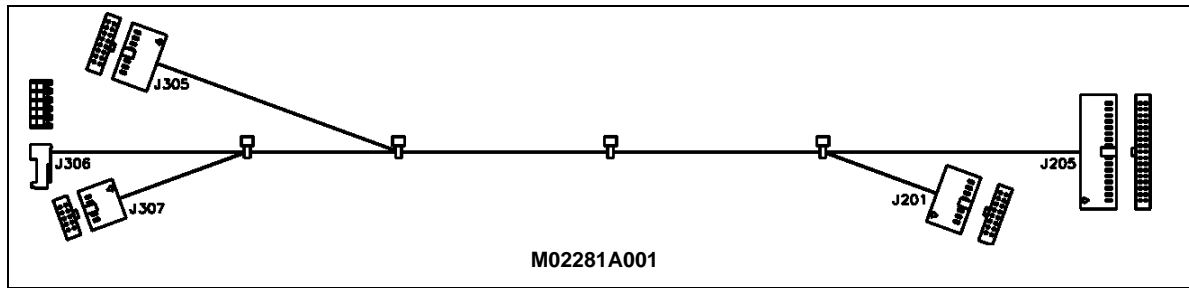
## Base Electronics

| Item #  | Cable Description  | Current Part | Previous Part           | Where Used |
|---|--|--------------|-------------------------|------------|
| 1   | E-CAL Security Switch  | M00150A001   | -                       | C          |
| 2   | Grade Select Cable (for illustration, refer to "SMART Connect Cables" on page 17-19) | M08072A001   | M01123A001              | -          |
| 3   | Call Button (No Longer Used)   | -            | M01233A001              | -          |
| 4   | Interface Cable Assembly   | M01650A001   | -                       | C          |
| 5   | Grade Select Cable   | M01693A001   | -                       | A          |
| 6   | Grade Select Cable   | M01695A001   | -                       | A          |
| 7   | Main DC Cable  | M02279A001   | -                       | B          |
| 8   | Hydraulic Interface Cable  | M02281A001   | -                       | B          |
| 9   | Pulser Cable Assembly  | M02337A002   | M02337A001              | B          |
| 10  | Valve/Power Supply (No Longer Used)  | -            | R20593-G1               | A          |
| 11  | Valve Coil Assembly (for illustration, refer to "Valve Coil Assembly" on page 12-6)  | M02958A001   | -                       | A          |
| 12  | Controller/Valve Cable   | M02971A001   | -                       | A          |
| 13  | Pulser Reverse Cable (Extended Reach Option only)                                    | M02972A001   | -                       | A          |
| 14  | Cable Assembly, (Reg/Logic)  | R17995-G7    | -                       | A          |
| 15  | Ribbon Cable Assembly 34 con   | R19667-G1    | -                       | A          |
| <b>Not Shown</b>  |  |              |                         |            |
| -   | Pulser Cable   | T18350-G6    | M02651A001<br>R20462-G4 | A          |
| <b>Where Used Key:</b><br>A. Encore 300 only<br>B. Ultra-Hi only<br>C. Both (Encore 300 and Ultra-Hi) |  |              |                         |            |

## Base Electronic Cable Illustrations



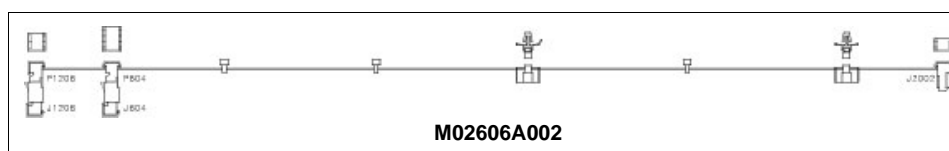
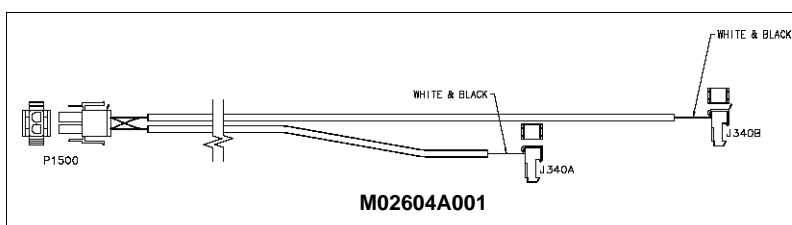




## Card Reader Heater Option

| Item #  | Cable Description   | Current Part | Previous Part | Where Used |
|---|---|--------------|---------------|------------|
| 1   | Card Reader Heater Cable  | M02604A001   | -             | C          |
| 2   | AC Adaptor Cable  | M02606A002   | M02606A001    | C          |
| <b>Not Shown</b>  |   |              |               |            |
| -   | AC Adaptor Card Cable, Reader Heater (for illustration, refer to "Main Power Supply" on <a href="#">page 9-15</a> ) | M02606A003   | -             | C          |
| <b>Where Used Key:</b><br>A. Encore 300 only<br>B. Ultra-Hi only<br>C. Both (Encore 300 and Ultra-Hi) |   |              |               |            |

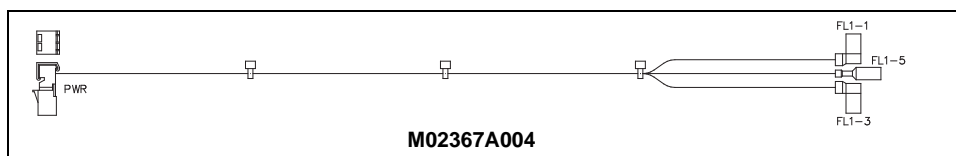
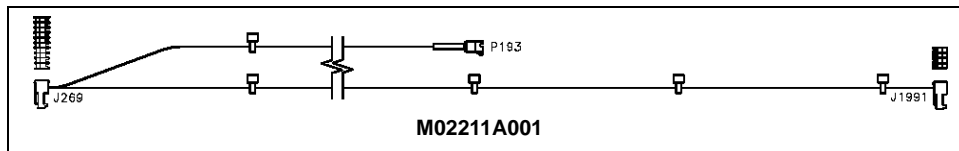
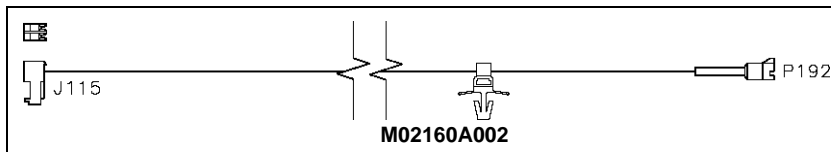
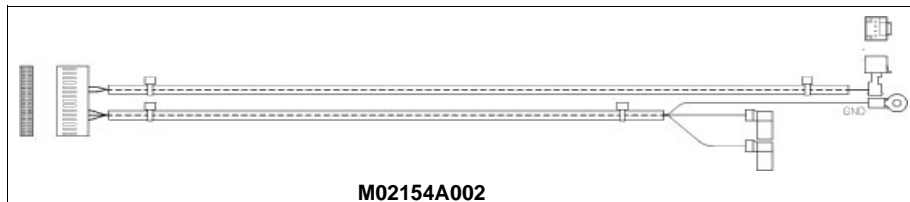
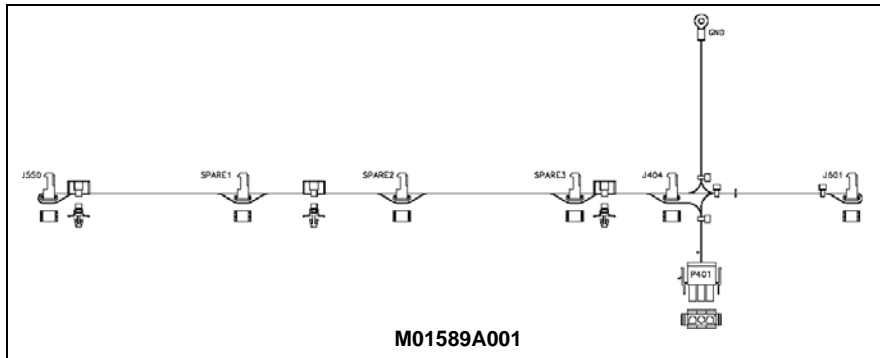
## Card Reader Heater Cable Illustrations



## Cash Acceptor Option

| Item #  | Cable Description                              | Current Part | Previous Part | Where Used |
|---|--|--------------|---------------|------------|
| 1   | AC Adaptor Cable (No Longer Used)              | -            | M01589A001    | A          |
| 2   | Cash Acceptor Cable                            | M02154A002   | M02154A001    | C          |
| 3   | Security Switch Interface Cable                | M02160A002   | -             | C          |
| 4   | Data and Least-cost Routing (LCR) Switch Cable | M02211A001   | -             | C          |
| 5   | Cash Acceptor Filter Line                      | M02367A004   | M02367A002    | C          |
| <b>Where Used Key:</b><br>A. Encore 300 only<br>B. Ultra-Hi only<br>C. Both (Encore 300 and Ultra-Hi) |  |              |               |            |

### Cash Acceptor Cable Illustrations

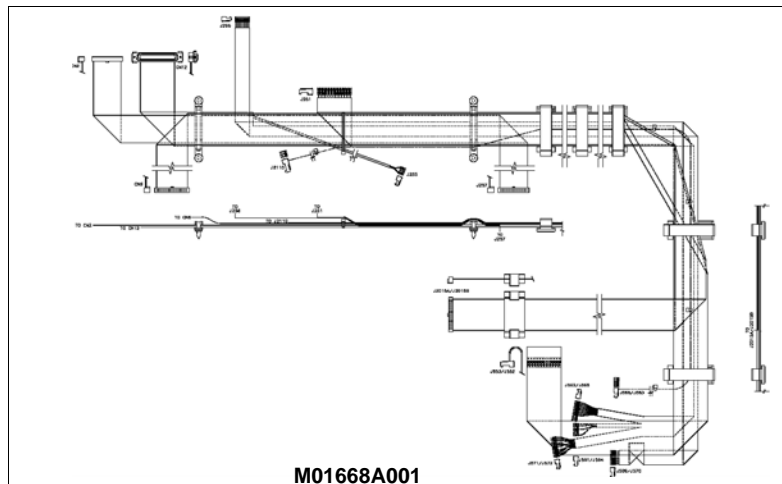
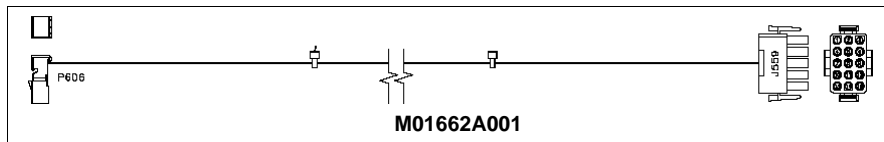
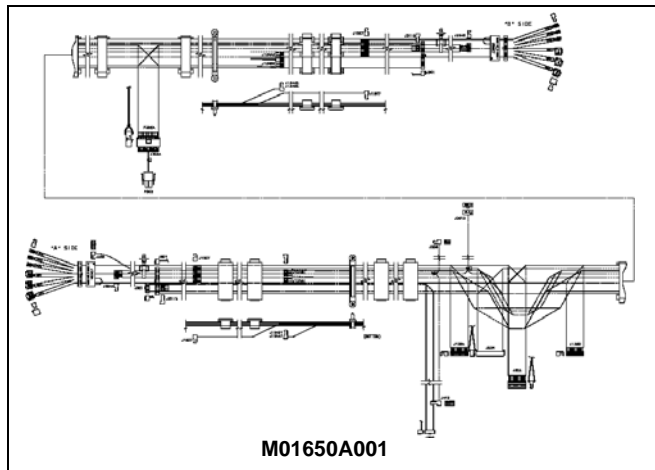


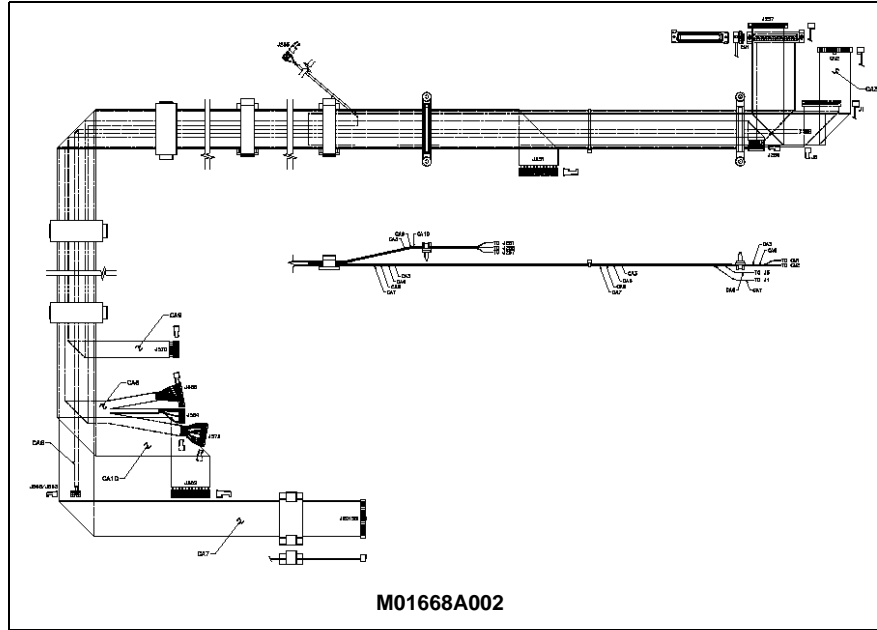
# CRIND Option

| Item # | Cable Description                   | Current Part | Previous Part | Where Used |
|--------|-------------------------------------|--------------|---------------|------------|
| 1      | Main Interface Cable                | M01650A001   | -             | C          |
| 2      | CRIND Power Cable                   | M01662A001   | -             | C          |
| 3      | CRIND Main Interface Cable (Side A) | M01668A001   | -             | C          |
| 4      | CRIND Main Interface Cable (Side B) | M01668A002   | -             | C          |

**Where Used Key:**  
 A. Encore 300 only  
 B. Ultra-Hi only  
 C. Both (Encore 300 and Ultra-Hi)

## CRIND Cable Illustrations





## Main Access Door Electronics

| Item # | Cable Description                          | Current Part | Previous Part | Where Used |
|--------|--|--------------|---------------|------------|
| 1      | Customer Keypad Cable                      | M01555A002   | M01555A001    | C          |
| 2      | PPU Data Cable                             | M01585A001   | -             | C          |
| 3      | PPU Backlight Cable                        | M01586A001   | M01586A002    | C          |
| 4      | PPU Data Cable (Left of CIM Door)          | M01617A001   | -             | A          |
| 5      | PPU Backlight Cable (Left of CIM Door)     | M01618A001   | -             | A          |
| 6      | 5-button Preset                            | M01686A002   | M01686A001    | C          |
| 7      | Grade Select Cable (Extender) (see note 1) | M00495A002   | -             | A          |
| 8      | ESD Ground Card Cable                      | M02134A001   | -             | C          |

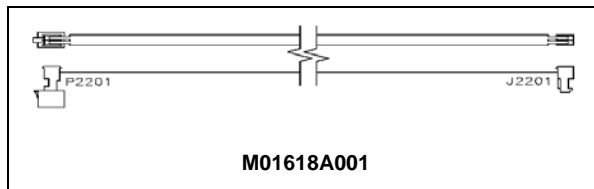
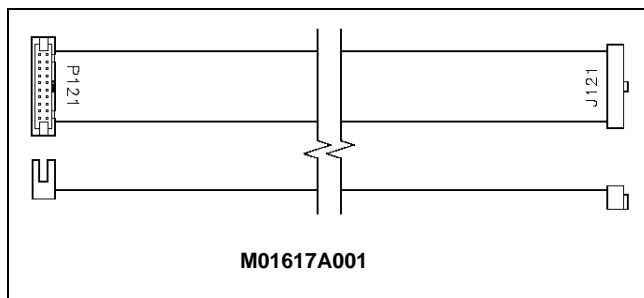
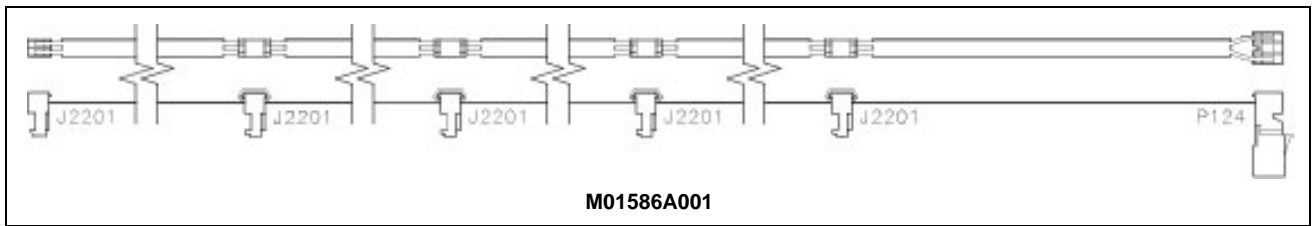
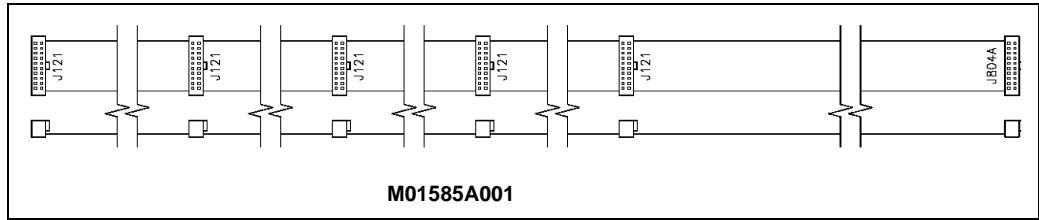
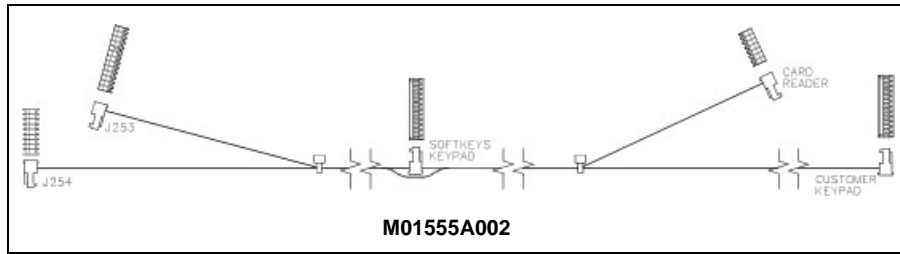
**Where Used Key:**

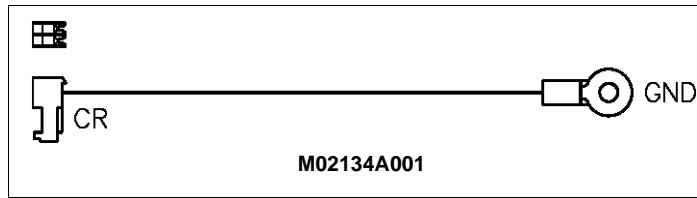
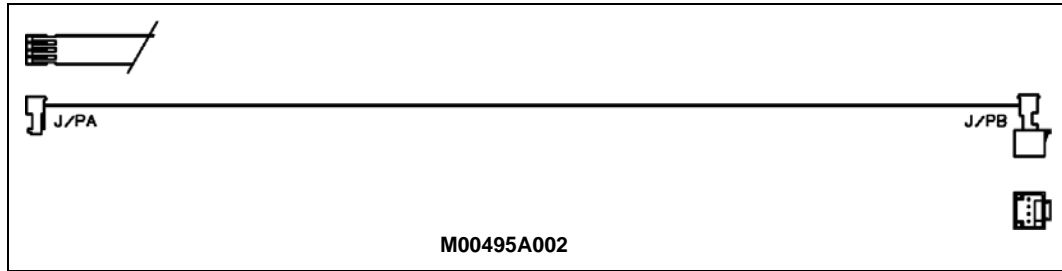
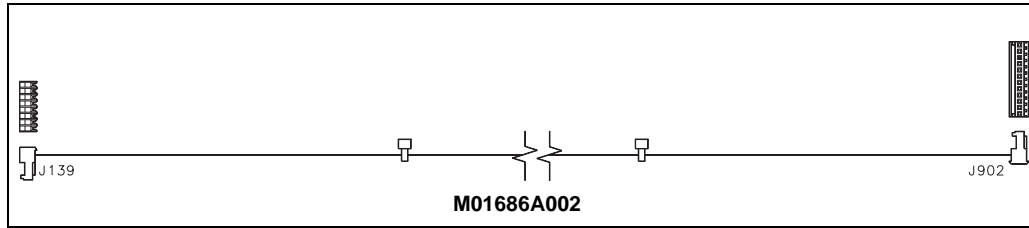
- A. Encore 300 only
- B. Ultra-Hi only
- C. Both (Encore 300 and Ultra-Hi)

**Notes:**

1. Cable extenders.
2. Use the following PCAs: M01598A001 and M01564A001 for grade select and PPP with options for 4, 5, and 6-grades. Use Pump Controller (M01598A001) PCA for 6-hose blender and PPP option without 4, 5, 6-grade select option.

### Main Access Door Electronics Cable Illustrations

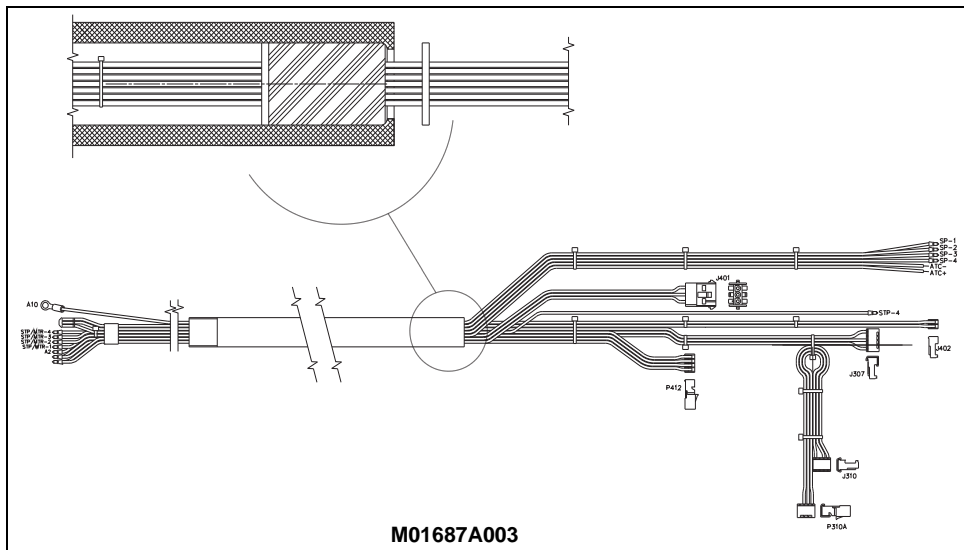
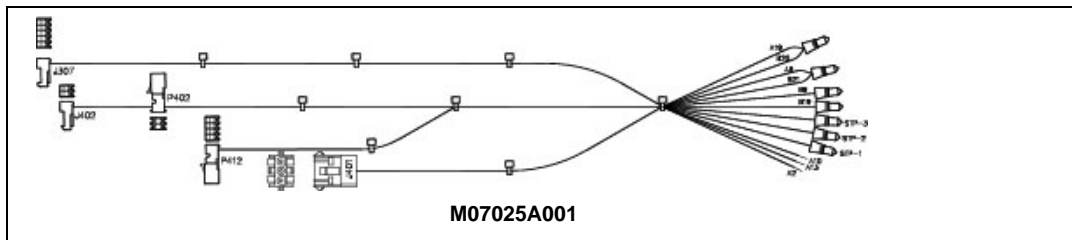
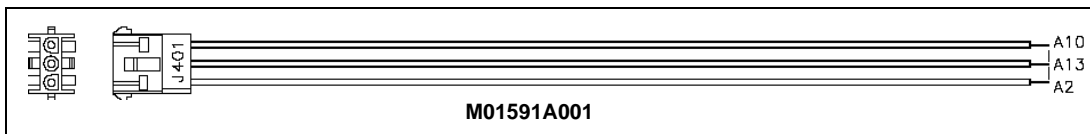
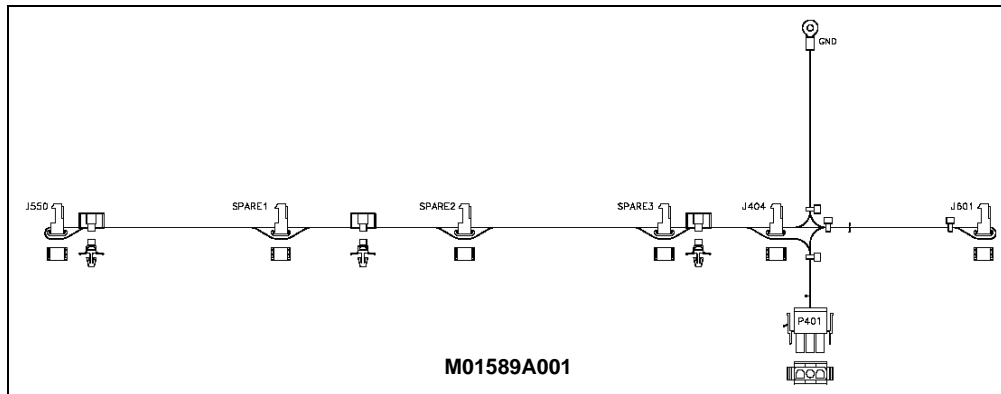


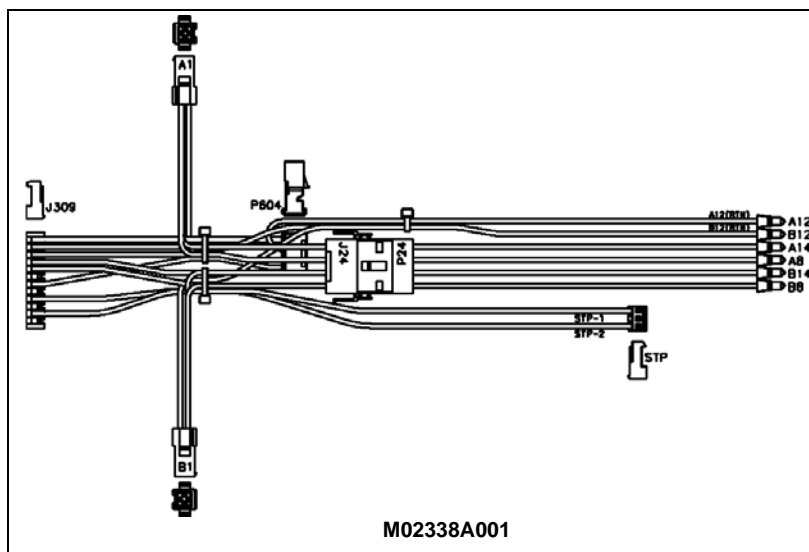
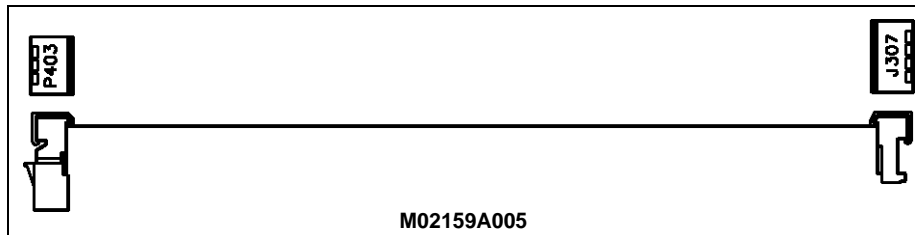
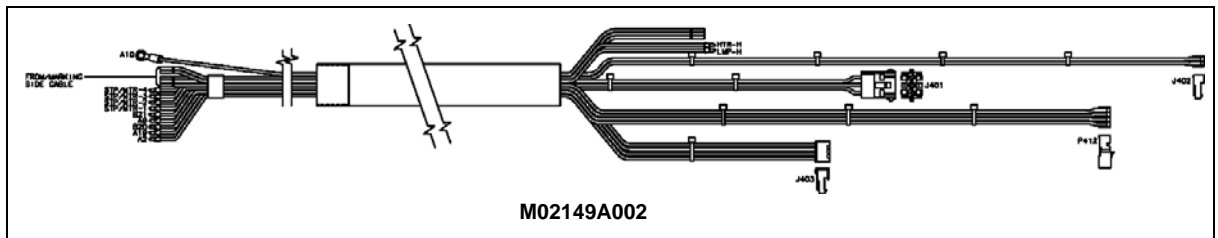
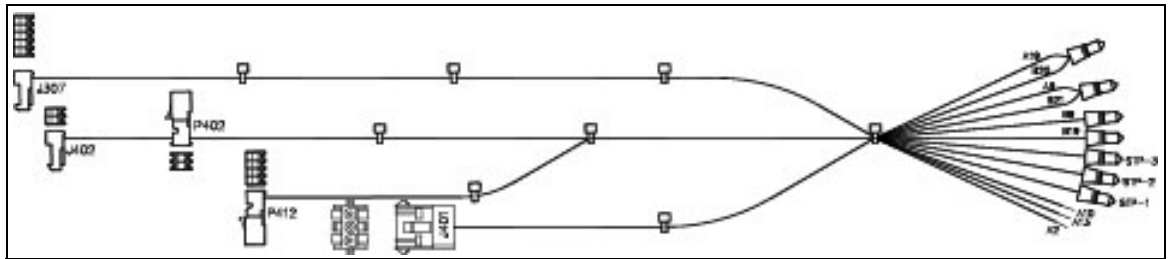
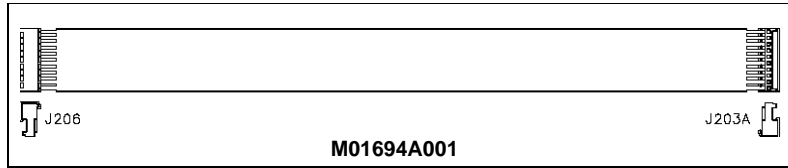


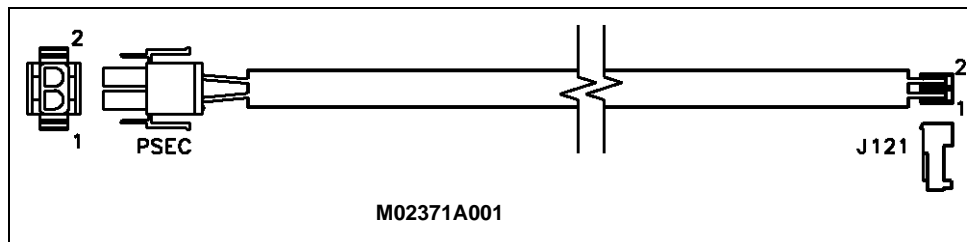
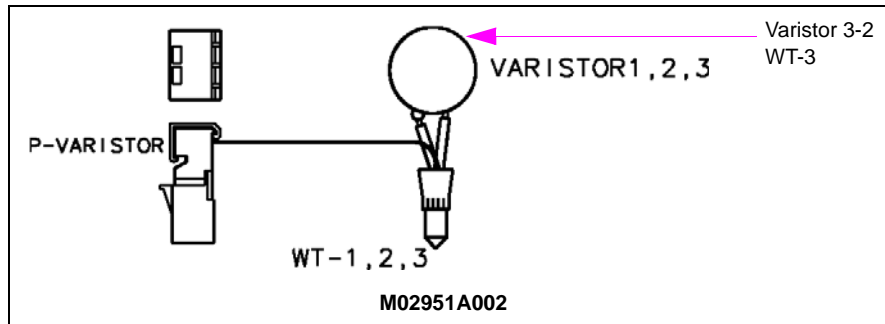
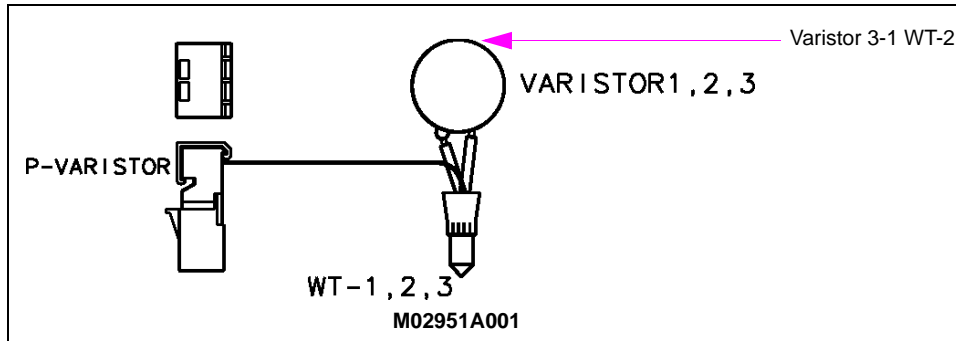
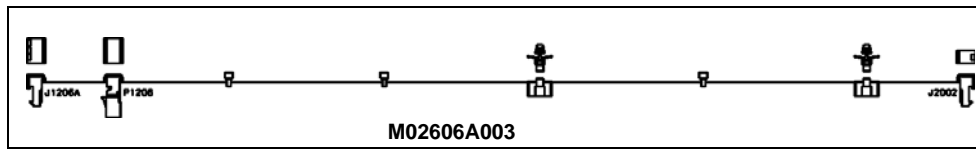
# Main Power Supply

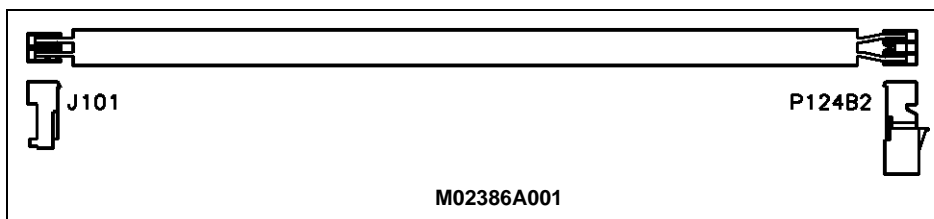
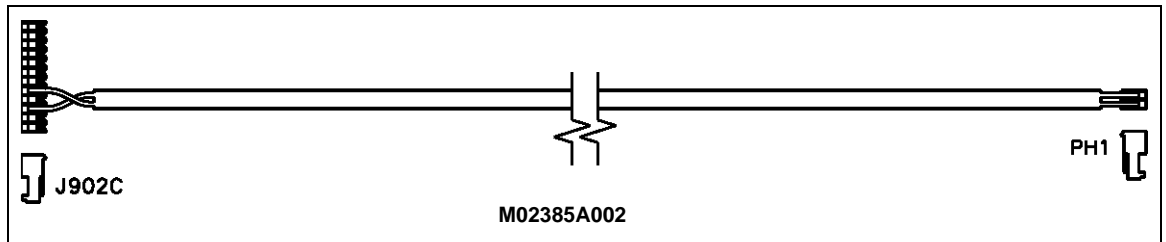
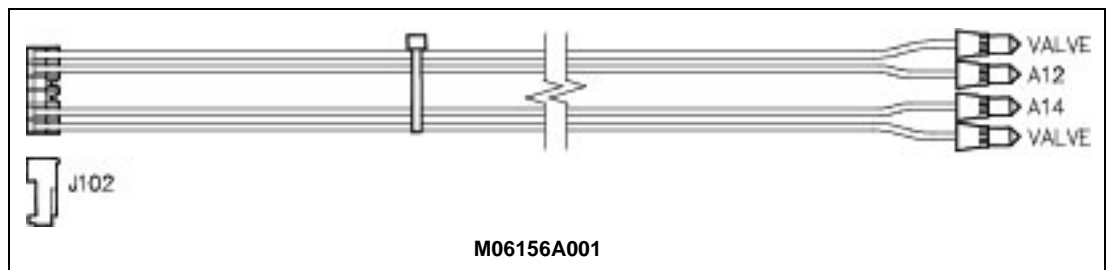
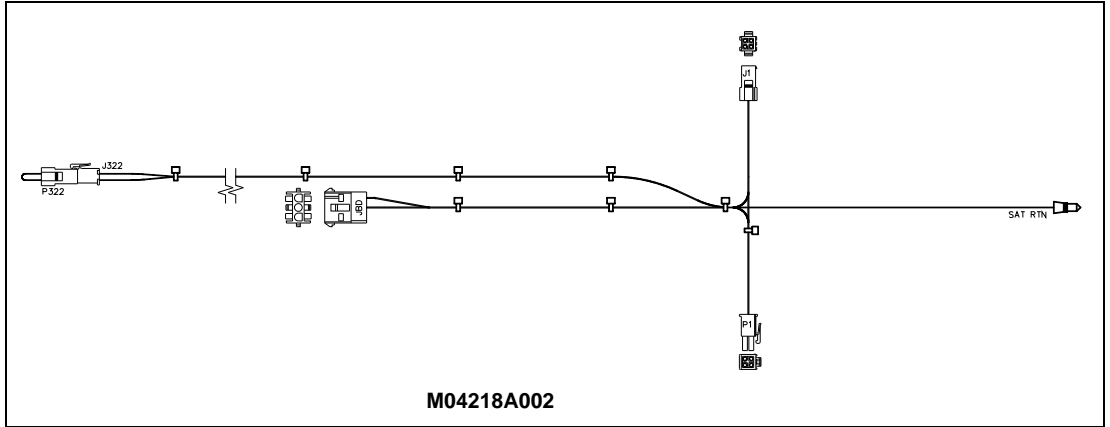
| Item #   | Cable Description                                      | Current Part | Previous Part            | Where Used |
|--|--|--------------|--------------------------|------------|
| 1  | Ground Wire (No Longer Used)                           | -            | M00672A001               | C          |
| 2  | AC Adaptor Cable (No Longer Used)                      | -            | M01589A001               | C          |
| 3  | Power Cable  | M01591A001   | -                        | B, E       |
| 4  | STP Control Cable                                      | M07025A001   | M01601A001               | B          |
| 5  | Transformer (obsolete, see note)                       | -            | M01607A001               | C, E       |
| 6  | Two-wire Cable Assembly                                | M07025A001   | M01664A001               | B, E       |
| 7  | 6-hose Conduit Cable (obsolete, see note)              | -            | M01685A001               | -          |
| 8  | Main Interface Cable (Spare Parts Item)                | M01687A003   | M01687A002               | D          |
| 9  | Controller Valve 6-hose Blender Cable (No Longer Used) | -            | M01694A001               | -          |
| 10   | Main Conduit and Cable Assembly                        | M07025A001   | M01601A001               | A          |
| 11   | Power Supply Cable (obsolete, see note)                | -            | R20283-G2                | C          |
| 12   | Power Supply Adaptor Cable                             | M02159A005   | -                        | A          |
| 13   | Main AC Cable  | M02338A001   | -                        | B, E       |
| 14   | AC Adaptor Card Cable, Reader Heater                   | M02606A003   | -                        | C, D, E    |
| 15   | Varistor Cable 115 V                                   | M02951A001   | -                        | C, D, E    |
| 16   | Varistor Cable 220-240 V                               | M02951A002   | -                        | C, D, E    |
| <b>Master Option Only</b>  |  |              |                          |            |
| 17   | Satellite Cable  | M02371A001   | -                        | B, E       |
| 18   | Valve Intercept Cable                                  | M04218A002   | M04218A001<br>M02372A001 | B, E       |
| <b>Master/Combo Option</b>   |  |              |                          |            |
| 19   | Combo - Neutral Cable                                  | M06156A001   | M02384A001               | B, E       |
| 20   | Combo - Pump Handle Cable                              | M02385A002   | M02385A001               | B, E       |
| 21   | Combo - 9 VAC Cable                                    | M02386A001   | -                        | B, E       |
| <p><b>Where Used Key:</b><br/> A. With J-box and Conduit<br/> B. Without J-box and Conduit<br/> C. Both with or without J-box and Conduit<br/> D. Pumping Units (Self-contained)<br/> E. Ultra-Hi (Encore Ultra-Hi Units)</p> <p>Note: No replacement.</p> |  |              |                          |            |

## Main Power Supply Cable Illustrations







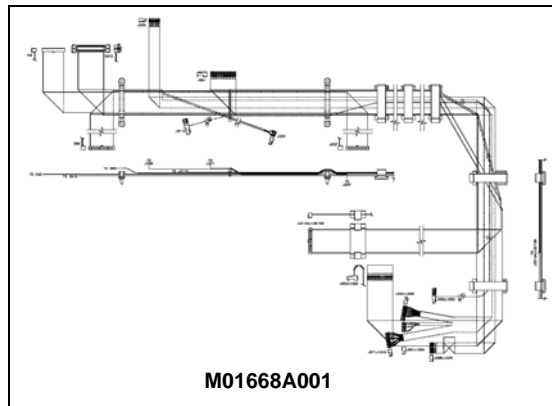
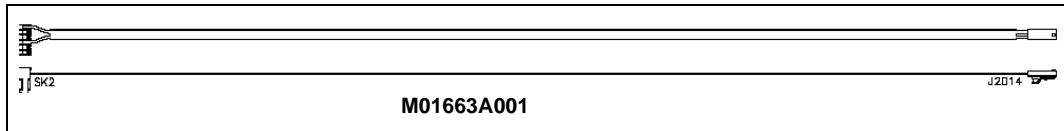
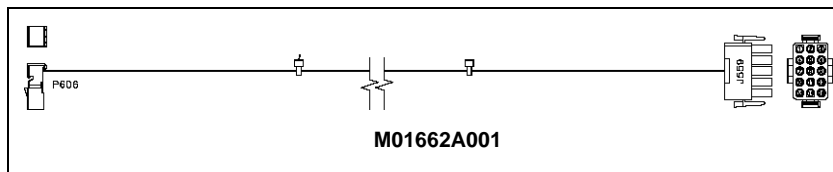


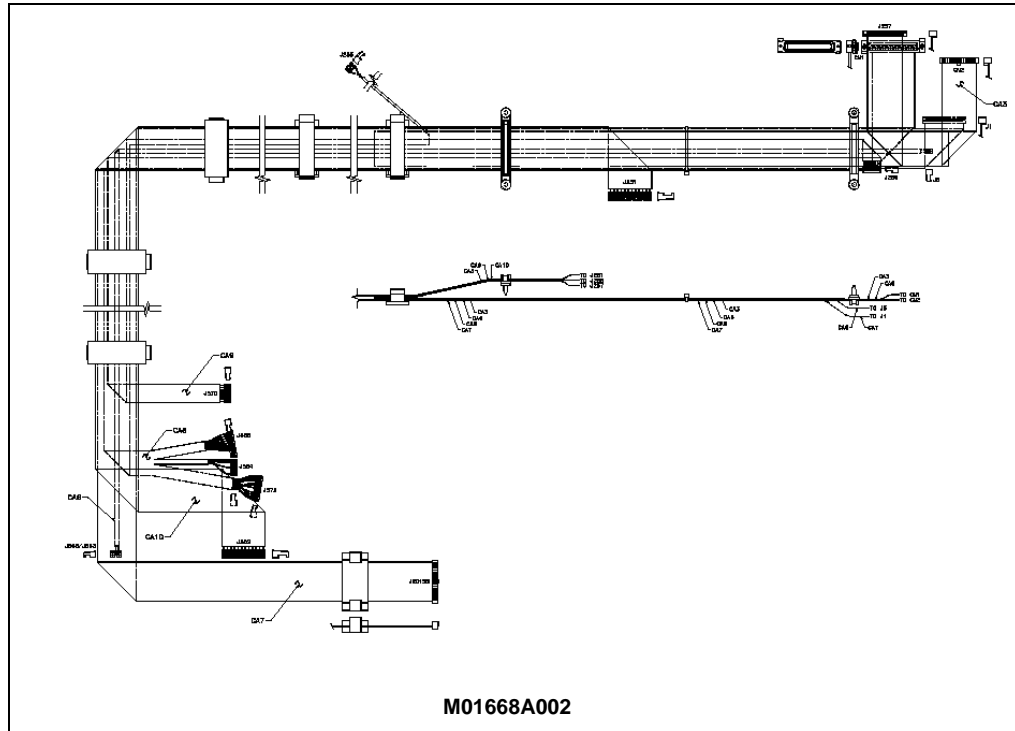
# Monochrome “CRIND Device” Option

| Item # | Cable Description                   | Current Part | Previous Part | Where Used |
|--------|-------------------------------------|--------------|---------------|------------|
| 1      | CRIND Cable Assembly                | M01662A001   | -             | C          |
| 2      | Monochrome Power Cable 5 V          | M01663A001   | -             | C          |
| 3      | Cable CRIND Main Interface (A-side) | M01668A001   | -             | C          |
| 4      | Cable CRIND Main Interface (B-side) | M01668A002   | -             | C          |

**Where Used Key:**  
 A. Encore 300 only  
 B. Ultra-Hi only  
 C. Both (Encore 300 and Ultra-Hi)

## Monochrome CRIND Device Cable Illustrations

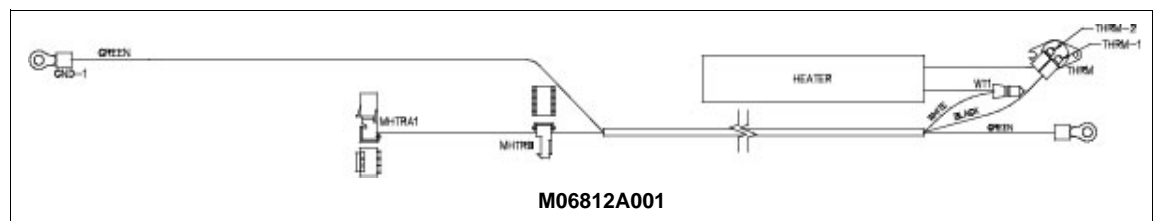




## Monochrome Heater Option

| Item #   | Cable Description        | Current Part | Previous Part | Where Used |
|--|--------------------------|--------------|---------------|------------|
| 1  | Monochrome Display Cable | M06812A001   | M03024A001    | C          |
| <p><b>Where Used Key:</b><br/>                     A. Encore 300 only<br/>                     B. Ultra-Hi only<br/>                     C. Both (Encore 300 and Ultra-Hi)</p> |                          |              |               |            |

## Monochrome Heater Option Cable Illustration



## Printer

| Item #  | Cable Description                               | Current Part                               | Previous Part | Where Used |
|---|---|--|---------------|------------|
| 1   | Printer Controller PCA                          | M01668A001 (A-side)<br>M01668A002 (B-side) | -             | C          |
| 2   | Printer Controller PCA (Single-line CRIND Only) | M01668A003 (A-side)<br>M01668A004 (B-side) | -             | C          |
| <b>Where Used Key:</b><br>A. Encore 300 only<br>B. Ultra-Hi only<br>C. Both (Encore 300 and Ultra-Hi) |   |  |               |            |

## Printer Cable Illustrations

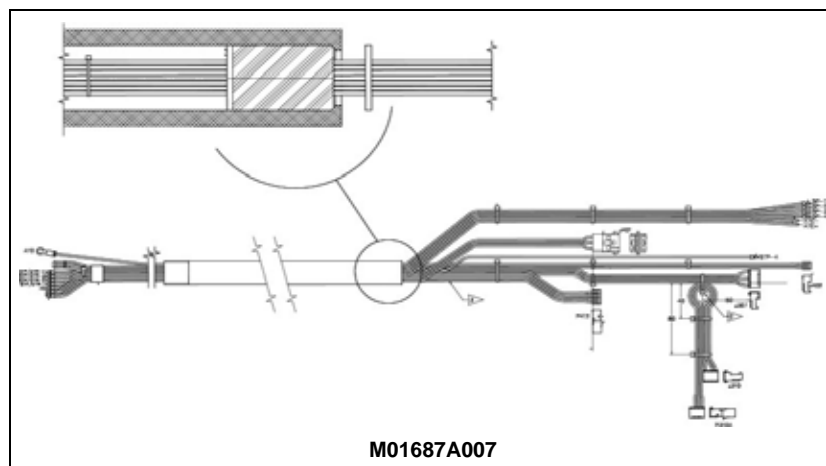
For illustrations of M01668A001 and M01668A002 Cables, refer to “[Monochrome CRIND Device Cable Illustrations](#)” on [page 9-20](#).

For illustrations of M01668A003 and M01668A004 Cables, refer to “[Single-line CRIND Cable Illustrations](#)” on [page 9-26](#).

## Pumping Unit (Self-contained) Option

| Item # | Cable Description | Current Part | Previous Part |
|--------|-------------------|--------------|---------------|
| 1      | Pump Conduit      | M01687A007   | M01687A002    |

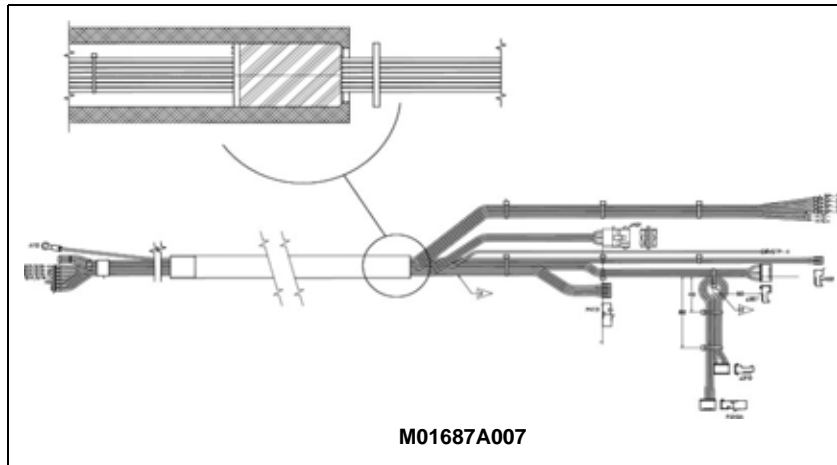
## Pumping Unit Cable Illustrations



### Pumping Unit (Self-contained) Option Encore 300

| Item # | Cable Description | Current Part | Previous Part            |
|--------|-------------------|--------------|--------------------------|
| 1      | Pump Conduit      | M01687A007   | M01687A003<br>M01687A002 |

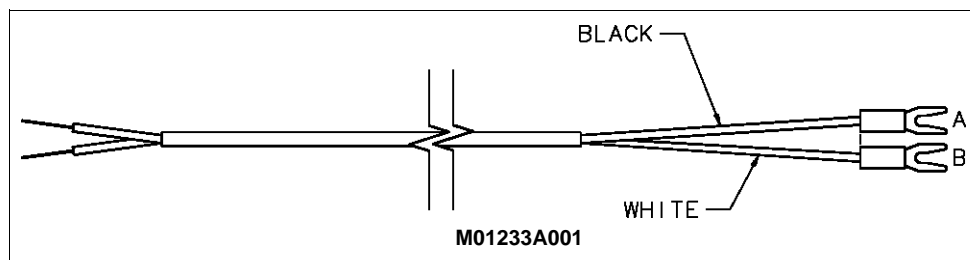
### Pumping Unit Cable Illustration

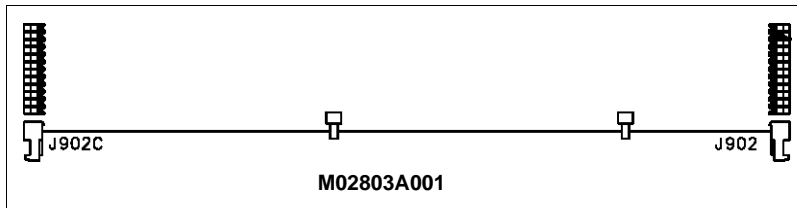
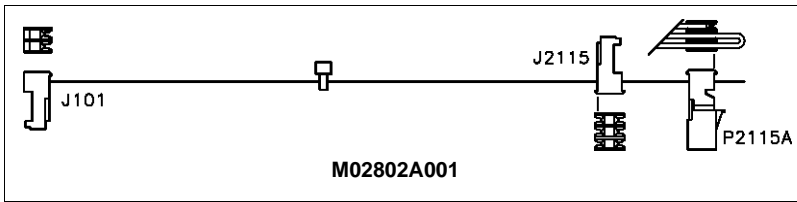
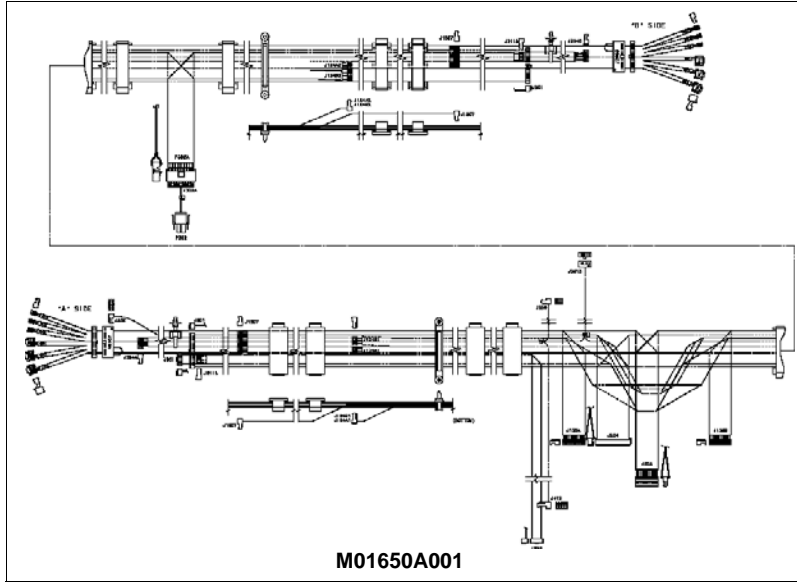


### Pump Stop/Call Option

| Item # | Cable Description              | Current Part | Previous Part |
|--------|--------------------------------|--------------|---------------|
| 1      | Call Button Cable              | M01233A001   | -             |
| 2      | Main Interface Cable           | M01650A001   | -             |
| 3      | Call Interface Cable           | M02802A001   | -             |
| 4      | Keypad to Call Interface Cable | M02803A001   | -             |

### Pump Stop/Call Cable Illustrations

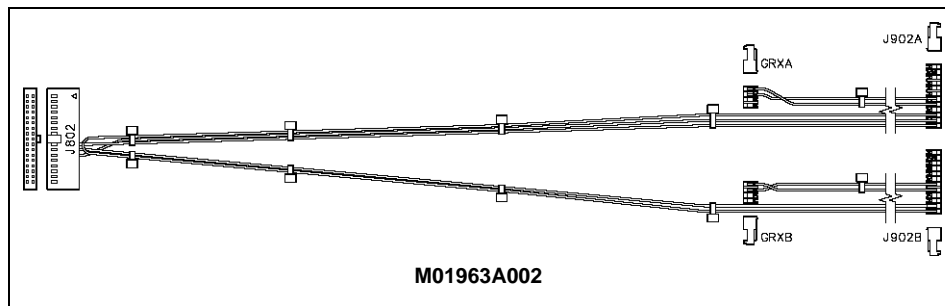
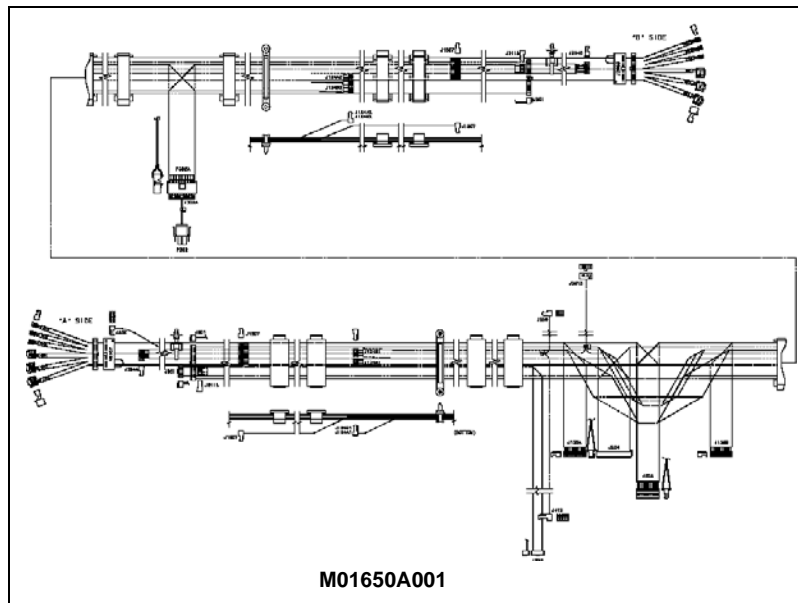
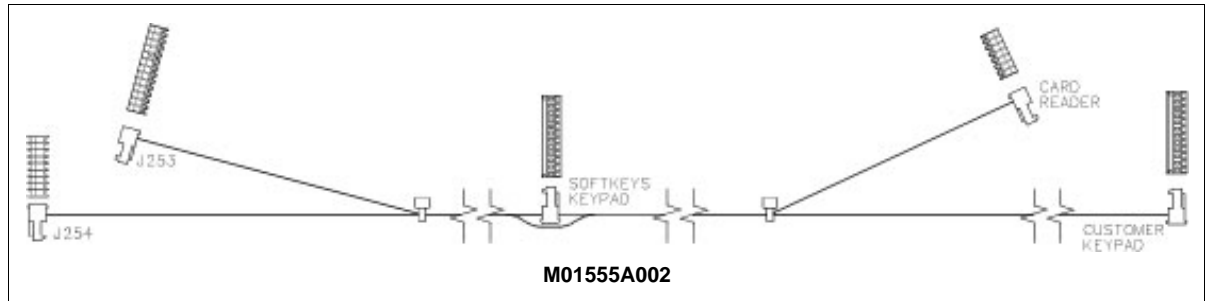


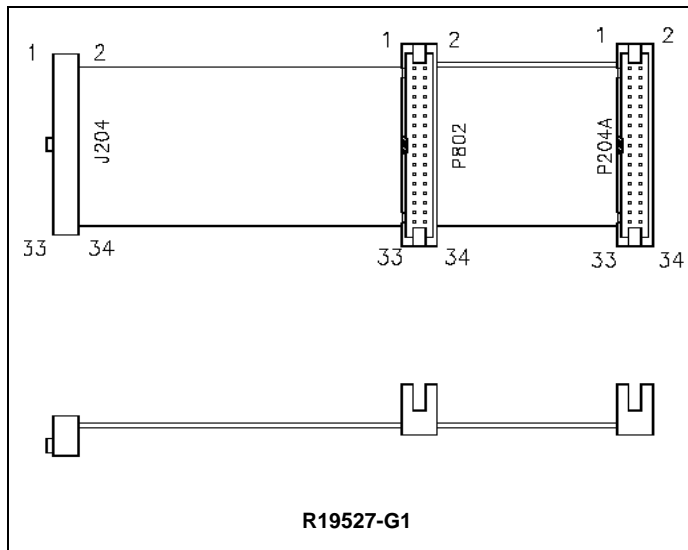


## Pump Stop/Push-to-start Option

| Item # | Cable Description                 | Current Part | Previous Part |
|--------|-----------------------------------|--------------|---------------|
| 1      | Customer Keypad and Softkey Cable | M01555A002   | M01555A001    |
| 2      | Main Interface Cable              | M01650A001   | -             |
| 3      | Pump Stop/Push-to-start Cable     | M01963A002   | -             |
| 4      | Calib Switch Cable Assembly       | R19527-G1    | -             |

## Pump Stop/Push-to-start Cable Illustrations

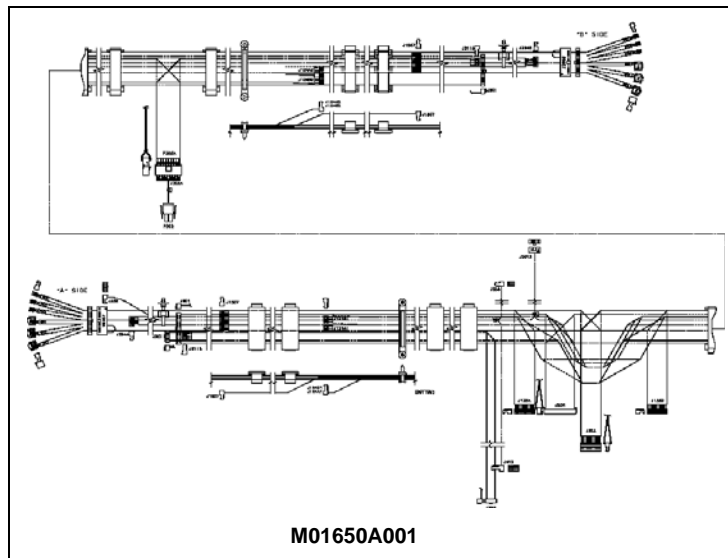


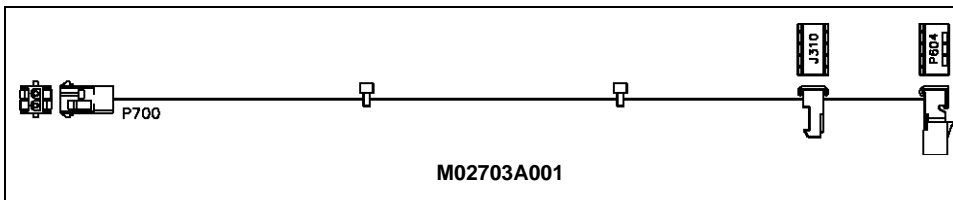
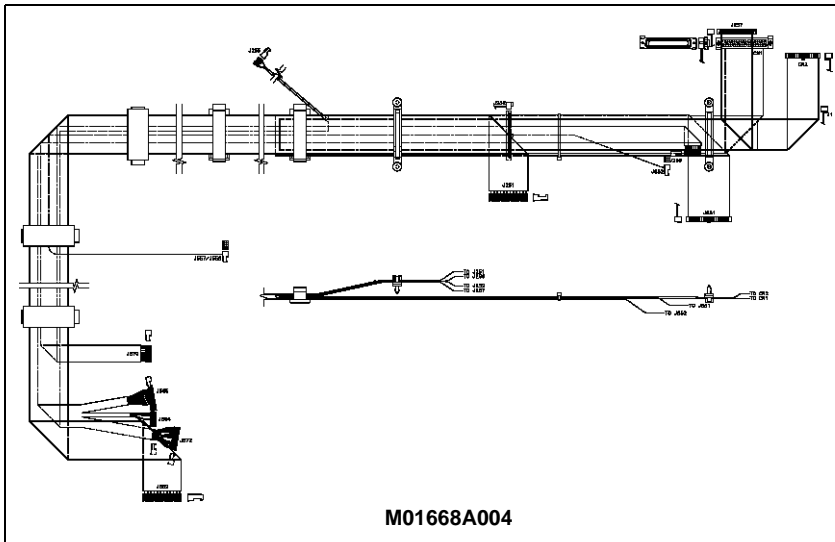
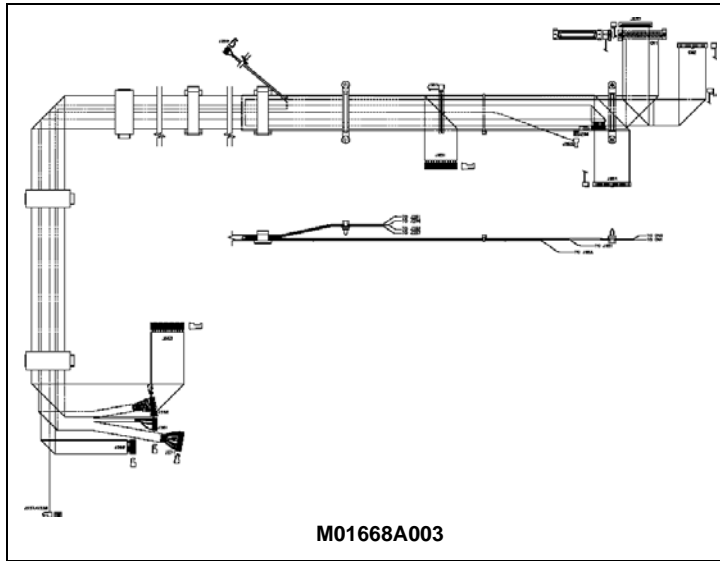


## Single-line CRIND Option

| Item # | Cable Description                   | Current Part | Previous Part |
|--------|-------------------------------------|--------------|---------------|
| 1      | Main Interface Cable                | M01650A001   | -             |
| 2      | CRIND Main Interface Cable (A-side) | M01668A003   | -             |
| 3      | CRIND Main Interface Cable (B-side) | M01668A004   | -             |
| 4      | AC Power Cable (Single)             | M02703A001   | -             |

## Single-line CRIND Cable Illustrations



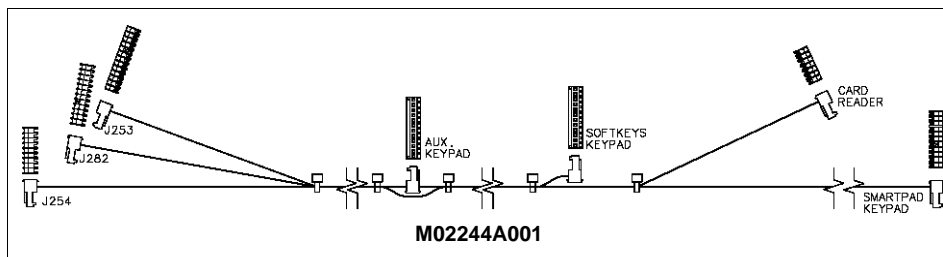
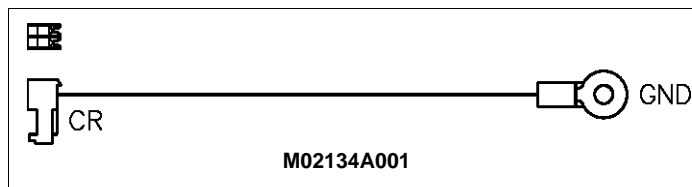


## SmartPad Option

| Item # | Cable Description                    | Current Part | Previous Part | Where Used |
|--------|--------------------------------------|--------------|---------------|------------|
| 1      | Cable, ESD Ground Card Reader        | M02134A001   | -             | C          |
| 2      | Cable, SmartPad/Softkeys/Card Reader | M02244A001   | -             | C          |

**Where Used Key:**  
 A. Encore 300 only  
 B. Ultra-Hi only  
 C. Both (Encore 300 and Ultra-Hi)

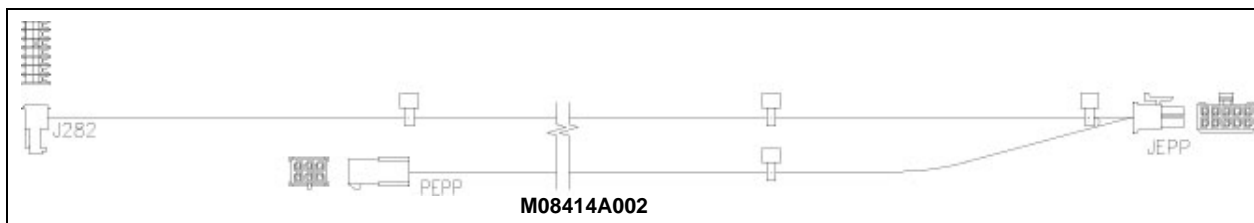
### SmartPad Cable Illustrations

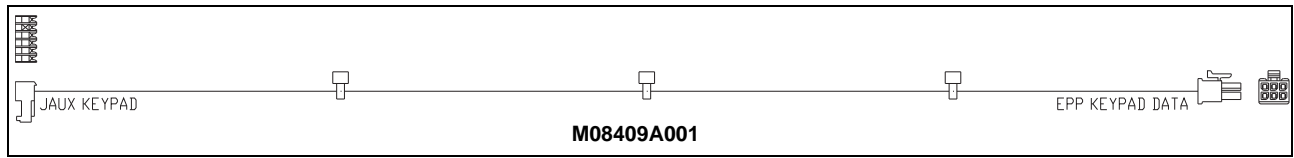


### FlexPay EPP Option

| Item # | Cable Description                         | Current Part | Previous Part | Where Used |
|--------|---|--------------|---------------|------------|
| 1      | Cable, EPP +5 V/Data Advantage/Encore 300 | M08414A002   | -             | -          |
| 2      | Cable, EPP Auxiliary Keypad Data          | M08409A001   | -             | -          |

### FlexPay EPP Cable Illustrations





## TRIND Option

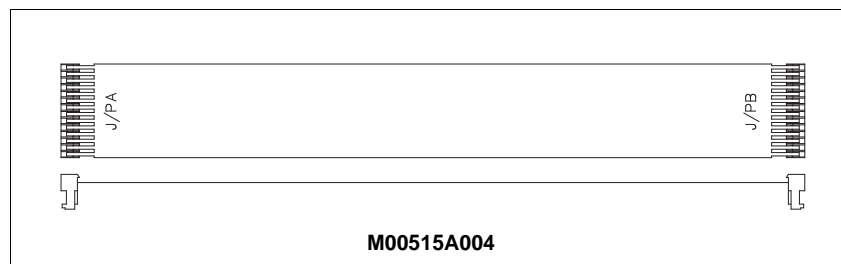
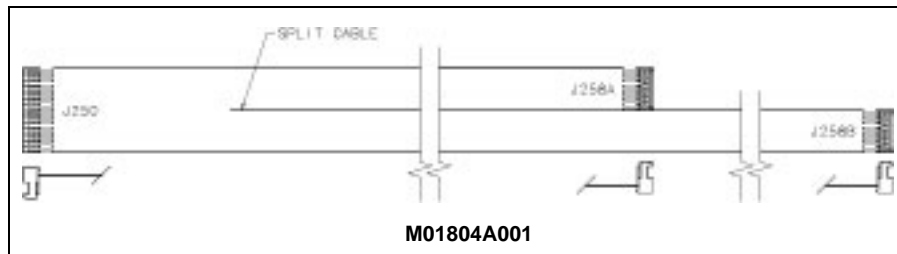
*Note: For cable block diagrams, refer to MDE-3664 The Advantage Series, MPD-3, Encore, and Eclipse Units TRIND Start-up, Service, and Parts Manual.*

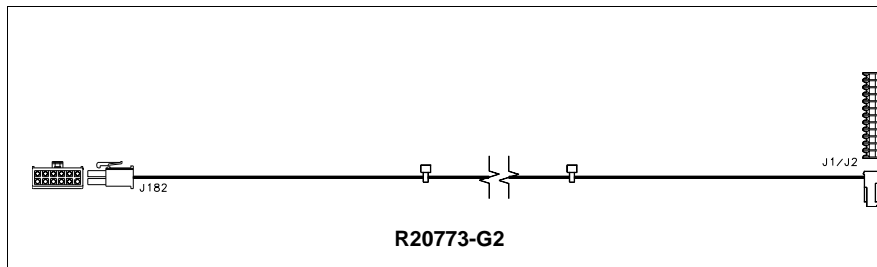
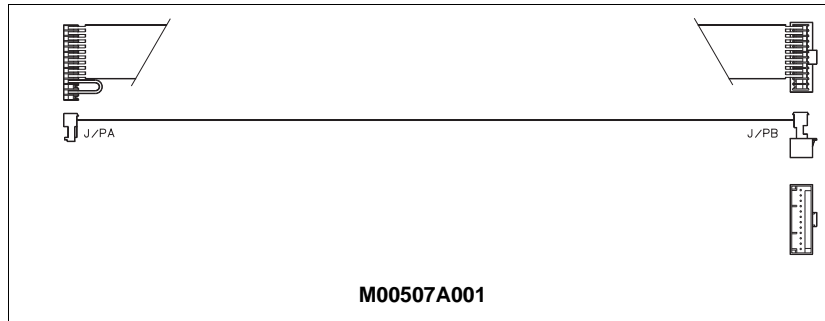
| Item # | Cable Description            | Current Part | Previous Part | Where Used |
|--------|------------------------------|--------------|---------------|------------|
| 1      | TRIND to CRIND               | M01804A001   | -             | C          |
| 2      | TRIND Gateway to CRIND Cable | M00515A004   | M00515A002    | D          |
| 3      | Cable, TRIND Door            | M00507A001   | -             | D          |
| 4      | Cable, Light/Multi Protocol  | R20773-G2    | -             | D          |
| 5      | Cable, TRIND Power           | M06763A001   | -             | D          |

**Where Used Key:**

- A. Encore 300 only
- B. Ultra-Hi only
- C. Both (Encore 300 and Ultra-Hi)
- D. Encore S Series Units

## TRIND Cable Illustrations





## VaporVac Option

| Item # | Cable Description                          | Current Part<br>(without vapor<br>valves) | Previous Part<br>(with vapor valves) | Where Used |
|--------|--|---|--------------------------------------|------------|
| 1      | VaporVac Valve/Motor Upper Housing Control | M00830A003                                | -                                    | A          |
| 2      | Conduit and Cable Assembly                 | -   | M00845A002                           | A          |
| 3      | Valve/Motor Control CD Module              | M00845A003                                | M00845A001,<br>M00845A002            | A          |
| 4      | VaporVac Cable                             | M01665A001                                | M01665A001                           | A          |
| 5      | VaporVac Interface Cable                   | M01666A001                                | M01666A001                           | A          |
| 6      | VaporVac 5 V Power Cable Assembly          | M01667A001                                | M01667A001                           | A          |
| 7      | VaporVac Power Cable (No Longer Used)      | M02710A001                                | M01764A001                           | A          |
| 8      | VaporVac Power Cable                       | M02710A001                                | M01765A001                           | A          |
| 9      | Ribbon Cable, 20 con (Reg/Logic)           | R17995-G7                                 | R17995-G7                            | A          |
| 10     | Calib Switch Cable Assembly                | R19527-G1                                 | R19527-G1                            | A          |
| 11     | Ribbon Cable Assembly, 20 con              | -   | R19666-G1                            | A          |

| Item # | Cable Description             | Current Part<br>(without vapor valves) | Previous Part<br>(with vapor valves) | Where Used |
|--------|-------------------------------|--|--------------------------------------|------------|
| 12     | Ribbon Cable Assembly, 34 con | R19667-G1                              | R19667-G1                            | A          |
| 13     | Cable Assembly                | T18186-G1                              | T18186-G1                            | A          |

**Where Used Key:**  
 A. Encore 300 only  
 B. Ultra-Hi only  
 C. Both (Encore 300 and Ultra-Hi)

### VaporVac Cable Illustrations

