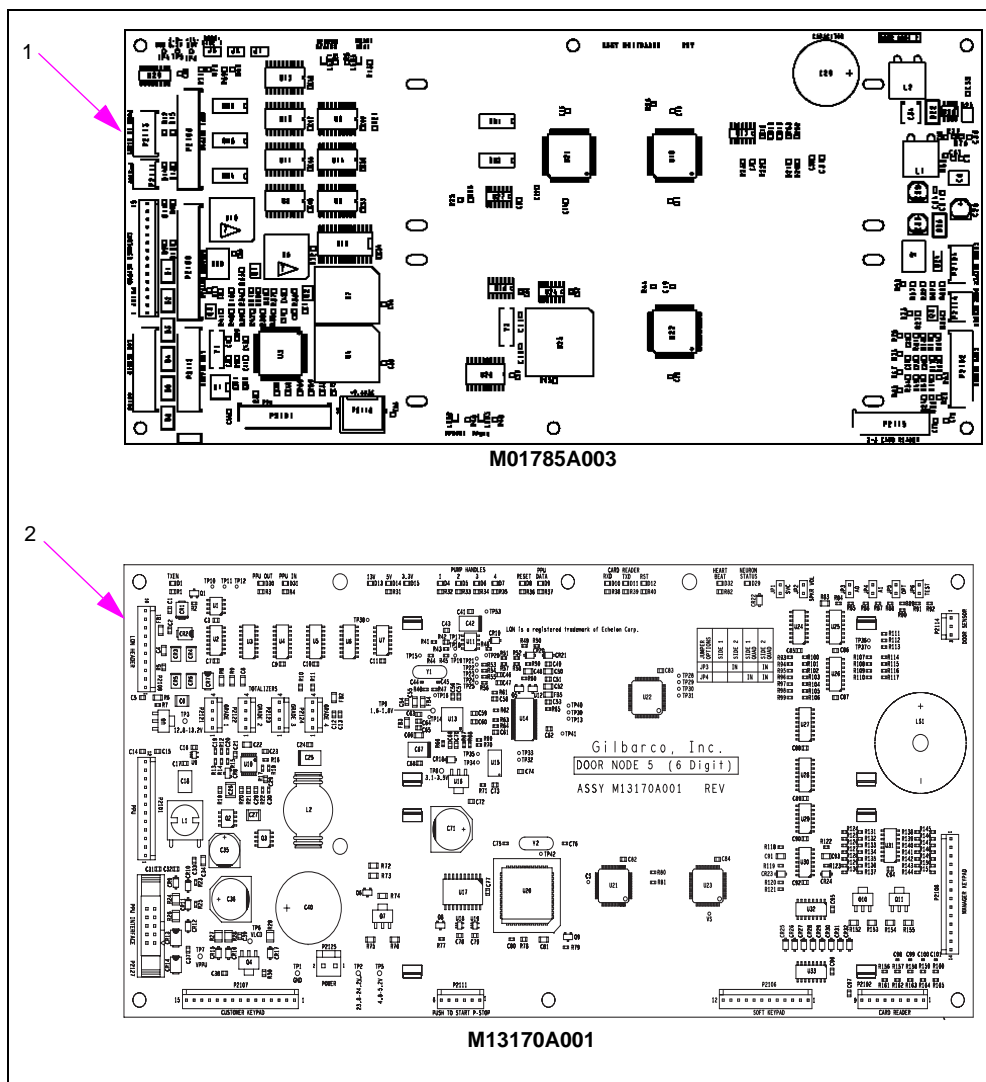


5 – Door Module Electronics (Encore 500/S)

PCA, Door Node 2 (Before November 2004)

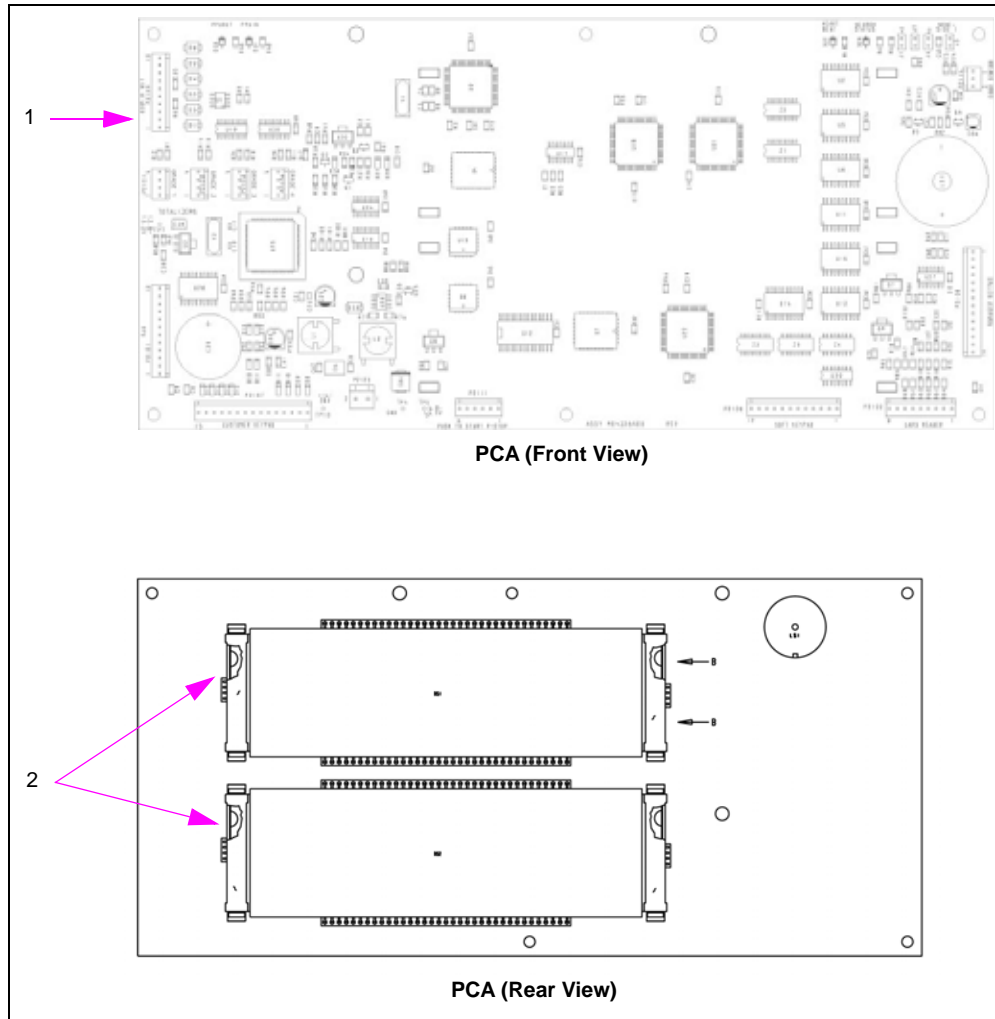


Item #	Part Description	Current Part	Previous Part	Quantity
1	PCA, Door Node 2 (see notes 1, 2, and 3)	M01785A003	M01785A001 M00062A001	1
	• Screw, Self-tapping Hexagonal-head, 6-20X	-	-	4
	Lamp	Q12448-04	-	12
2	PCA SP III Door Node 5 (see note 4)	M13170A001	-	1

Notes:

1. PCA Assemblies (M01785A003 and M00062A001) are not forward compatible with M04326A002.
2. M00062A001 is obsolete and replaced by M01785A003.
3. M01785A003 PCA is replaced with kit M14385K001, M14385K002, M14385K003 or M14385K004.
4. M01785A003 PCA is now replaced with kit that contains M13170A001 and PCA SP III Door Node 5.

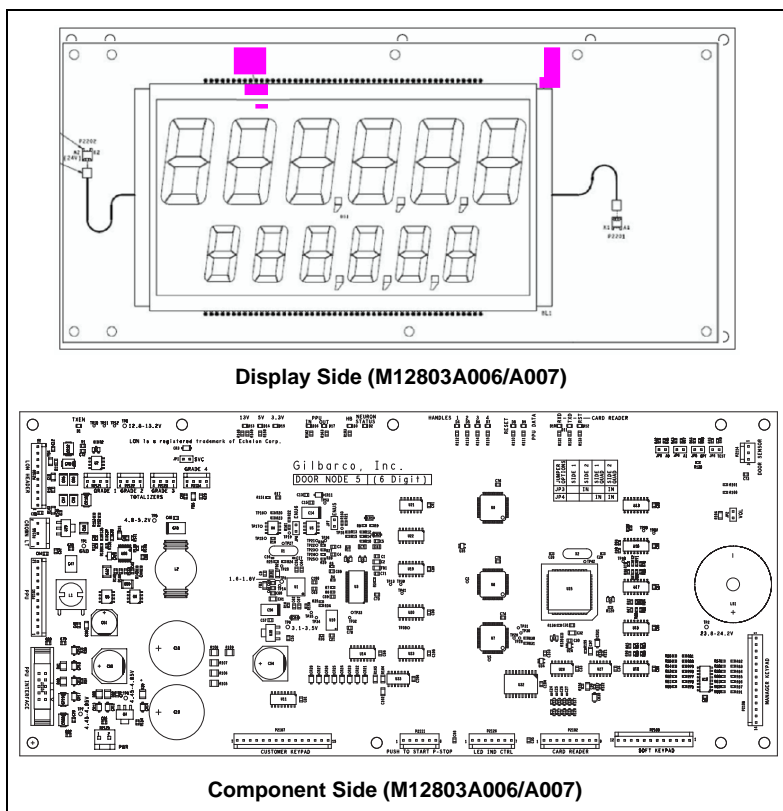
PCN Assembly 3 (After November 2004)



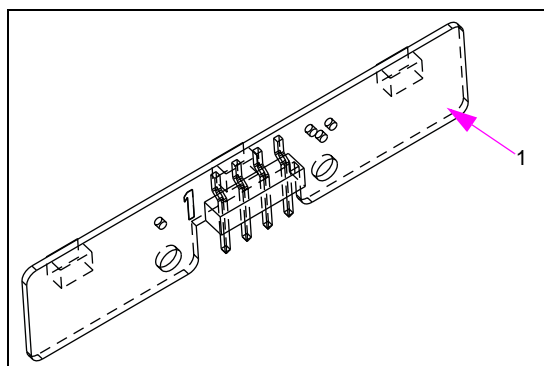
Item #	Part Description	Current Part	Previous Part	Quantity
1	PCA Door Node Assembly 3 (see note)	M04326A002	M04326A001	1
2	Light Emitting Diode (LED) Backlight Array, 1" Used on Door Node 3 (M04326A002)	M04466B001	-	1

Note: M04326A002 is not backward compatible.

PCA, SP III Door Node 5, (6-digits)

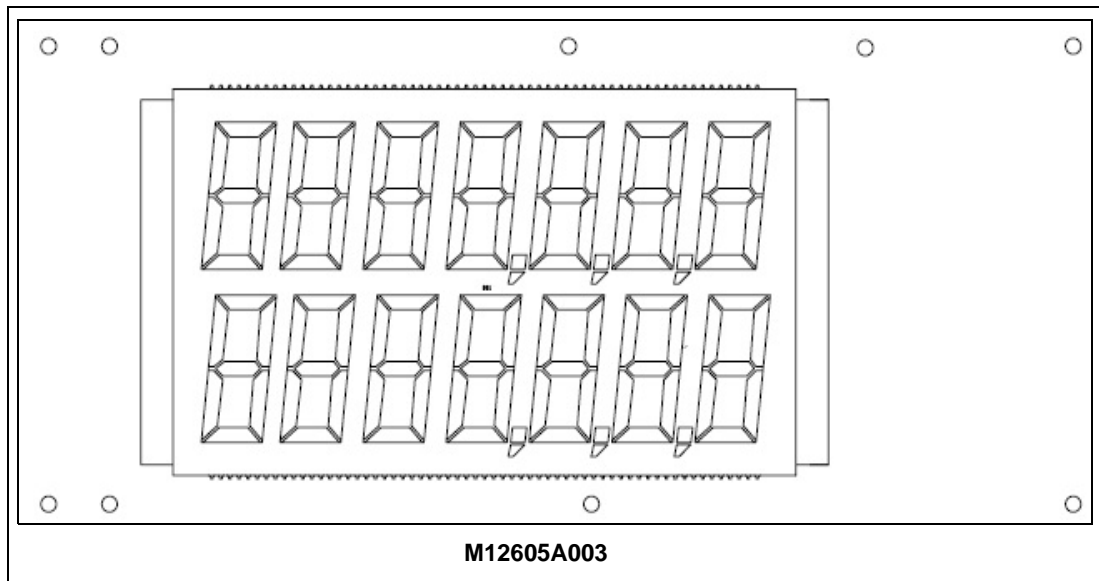


Item #	Part Description	Current Part	Previous Part	Quantity
1	PCA, SP III Door Node 5 (6-digit), Card Reader with SP II PPU	M12803A006	M12803A002 M05835A004 M05835A003 M05835A001 M12803A003	1
2	PCA, SP III Door Node 5 (6-digit), No Card Reader with SPII PPU	M12803A007	M12803A004	1



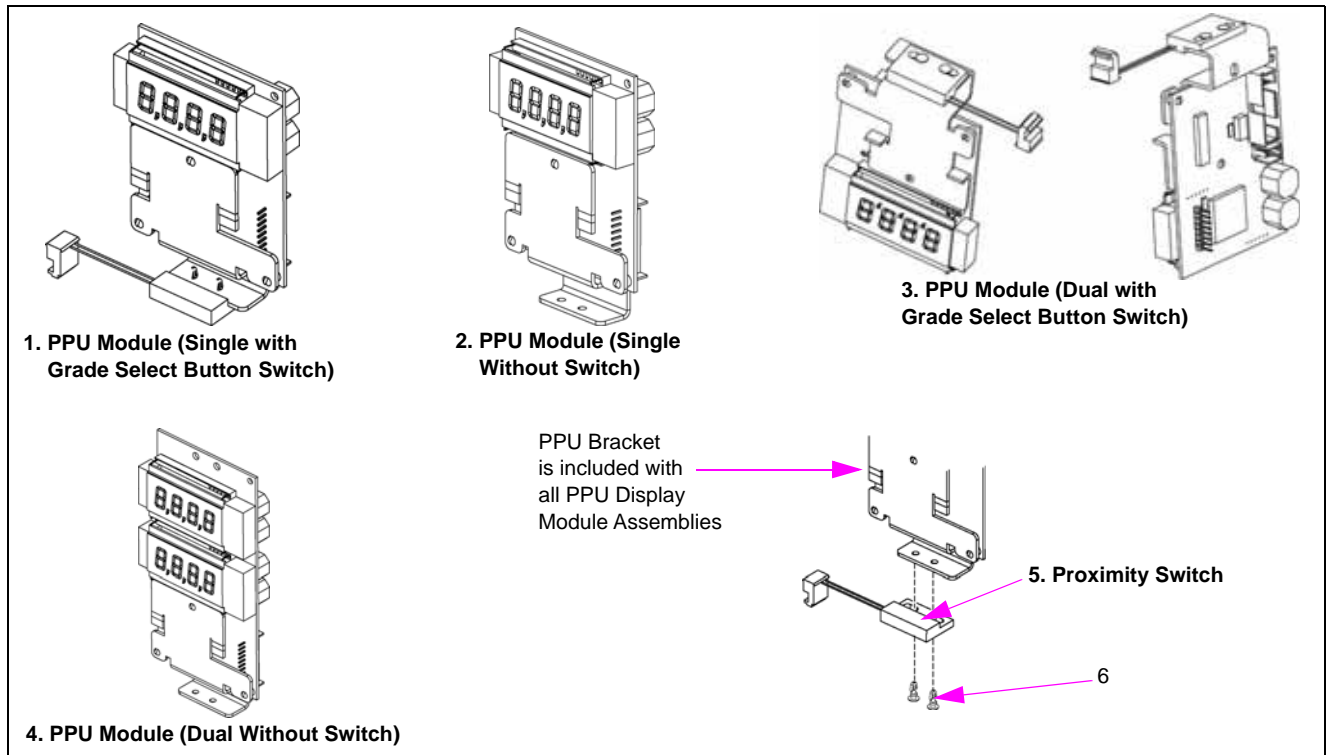
Item #	Part Description	Current Part	Previous Part	Quantity
1	LED, Backlight Array	M04466B010	-	1

7-digit Main Display Assembly



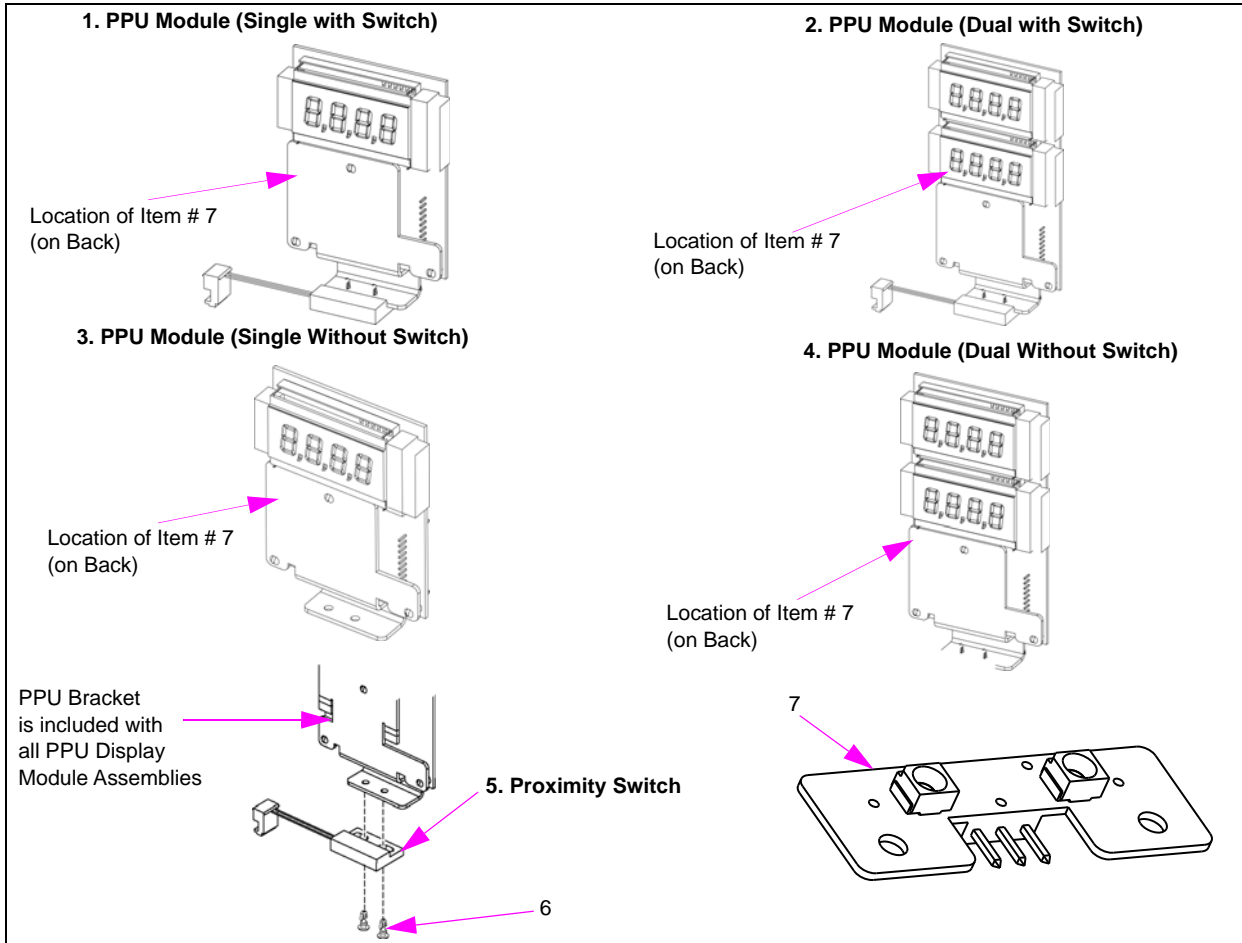
Item #	Part Description	Current Part	Previous Part	Quantity
1	7-digit Main Display Assembly	M12605A003	M12605A001	1

PPU Display Module Assemblies [(M02652A00X) Before November 2004]



Item #	Part Description	Current Part	Previous Part	Quantity
1	PPU Display Module Assembly (Single with Switch)	M14385K002	M02652A001 M00350A009 M00350A001	1
2	PPU Display Module Assembly (Single without Switch) (see note 1)	M02652A002	M00350A002	1
3	PPU Display Module Assembly (Dual with Switch)	M02652A012	M02652A003 M00350A010 M00350A003	1
4	PPU Display Module Assembly (Dual without Switch) (see note 2)	M02652A006	M00350A006	1
5	Proximity Switch, Magnetic (<i>Note: Used on both Encore 300 and 500 Series</i>)	Q12514-10	Q12514-08	1
6	• Support, Snap Lock Pin with Arrowhead	Q10651-40	-	2
Not Shown				
-	• PCA, Single PPU (see note 1)	M00065A001	-	1
-	• PCA, Dual PPU <i>Note: This is not sold individually. It is sold as part of Upper Assembly (M02652A005).</i>	M01303A001	-	1
-	• Lamp <i>Note: Sold as package of 50.</i>	Q12448-04S	-	2 per Single PPU 4 per Dual PPU
Notes: 1. M00065A001 and M02652A002 are replaced with M14385K001 or M14385K002 2. M02652A006 replaced with M14385K003 or M14385K004.				

PPU Display Module Assemblies [(M04588A00X) After November 2004]



Item #	Part Description	Current Part	Previous Part	Quantity
1	PPU Display Module Assembly with Switch (Single) (see notes 1 and 2)	M04588A001	-	1
2	PPU Display Module Assembly with Switch (Dual)	M04588A002	-	1
3	PPU Display Module Assembly Without Switch (Single)	M04588A003	-	1
4	PPU Display Module Assembly Without Switch (Dual)	M04588A004	-	1
5	Proximity Switch, Magnetic (Note: Used on both Encore 300 and 500 Series)	Q12514-10	-	1
6	Support, Snap Lock Pin with Arrowhead	-	-	2
7	LED Board	M04466B003	-	1

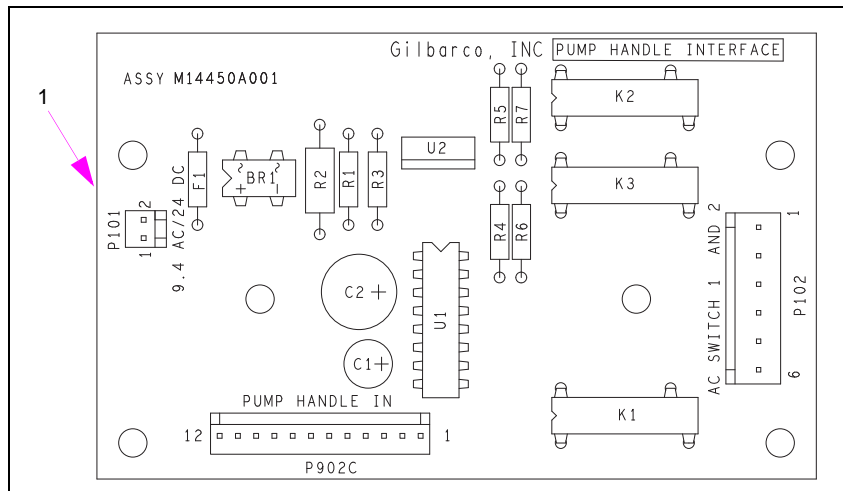
Not Shown

-	• PCA, Single PPU (used on PPU M04588A001 and M04588A003) (see note 2)	M04329A001	-	1
-	• PCA, Dual PPU (used on PPU M04588A002 and M04588A004) (see note 3)	M04332A001	-	1

Notes:

1. PPU Display Assemblies (M04588A00X) are not backward compatible with M02652A001. M04588A001 is replaced by M14385K005 or M14385K006.
2. M04329A001 is sold as M04588A001/M04588A003.
3. M04332A001 is sold as M04588A002/M04588A002.

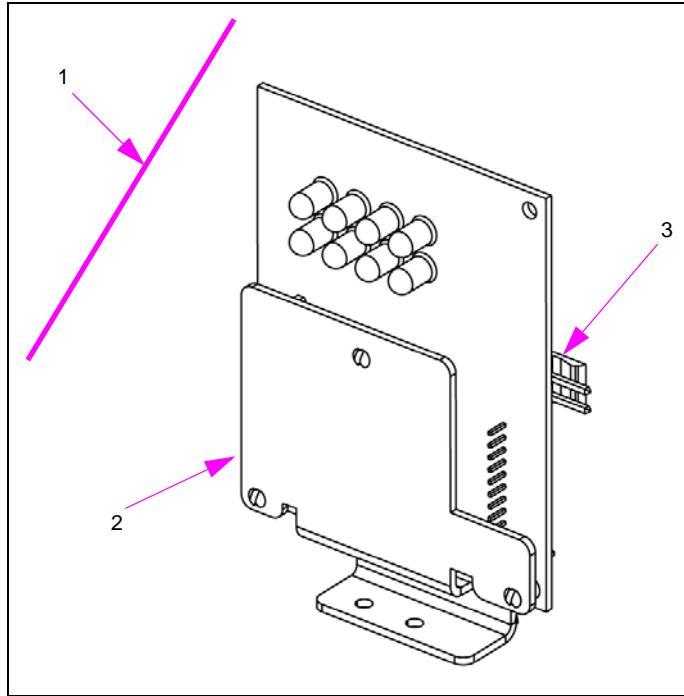
Pump Handle Interface PCA



Item #	Part Description	Current Part	Previous Part	Quantity
1	Pump Handle Interface, PCA (see note)	M14450A001	M05650A001 M04528A001 M02325A001	1
<i>Note: If either the M02384A001 Cable or M14450A001 PCA is being replaced, both new parts (cable and PCA) must be ordered.</i>				

Satellite In-use Indicator (Ultra-Hi Only)

(Assembled in PPU Position)

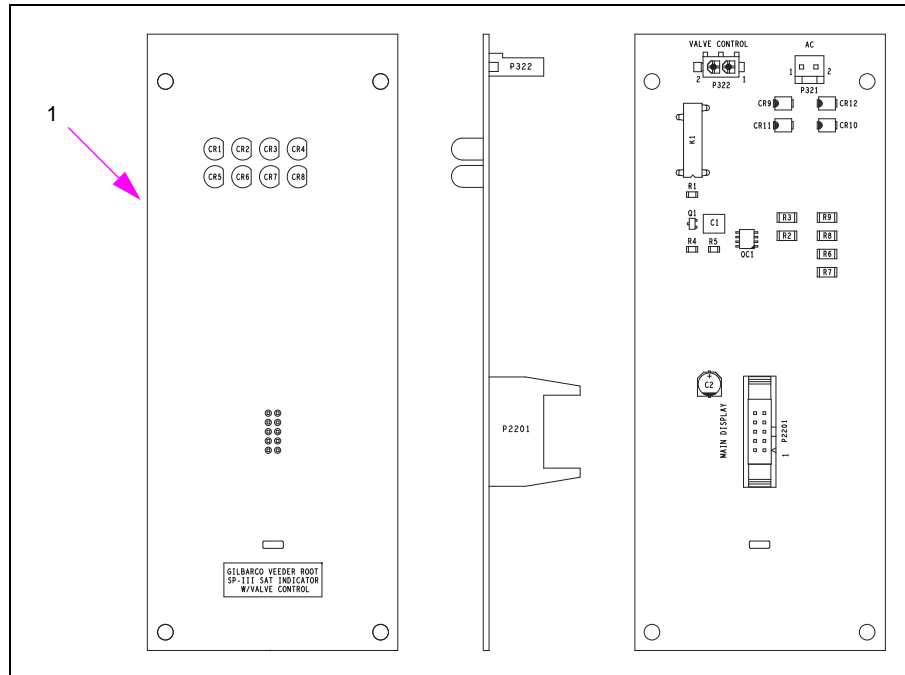


Item #	Part Description	Current Part	Previous Part	Quantity
1	Satellite In-use Indicator (see notes 1 and 2)	M04657K001	M02652A010 M02652A009	1
2	PPU Module Bracket	M00351B002	-	1
3	PCA, Satellite Indicator with Valve Control	M04570A001	M04202A001	1
-	• Screw, Pan-head, Phillips Head (see note 3)	Q11270-17	-	3
-	• Nut, Hexagonal with External Lockwasher 4-40 Thread	Q12068-01	-	3
-	• Spacer, Hexagonal 4-40 X 1.000 X 4-40 (obsolete, see note 4)	-	Q10340-45	3

Notes:

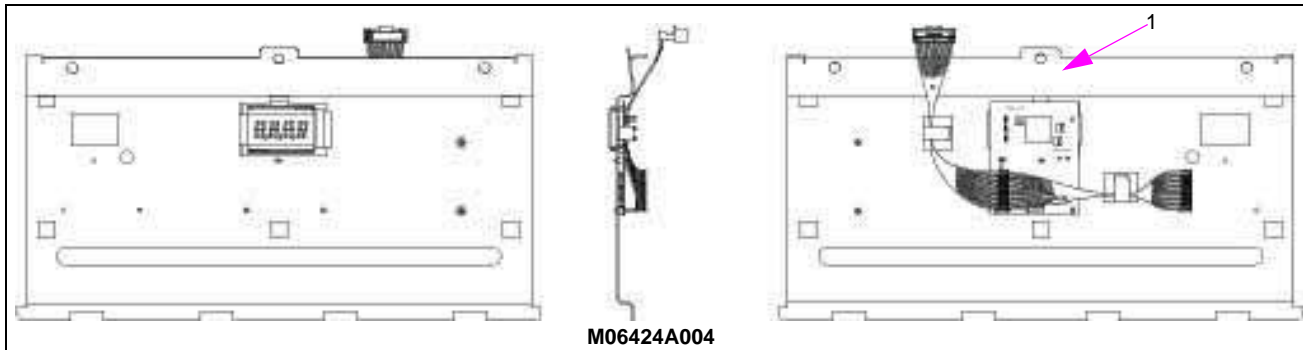
1. M02652A011 is backward compatible only with M04633A001 Cable.
2. M04657K001 is a kit and it contains M02652A011 and M04633A001.
3. Hardware parts are not sold individually.
4. No Replacement.

SP III Satellite Indicator PCA

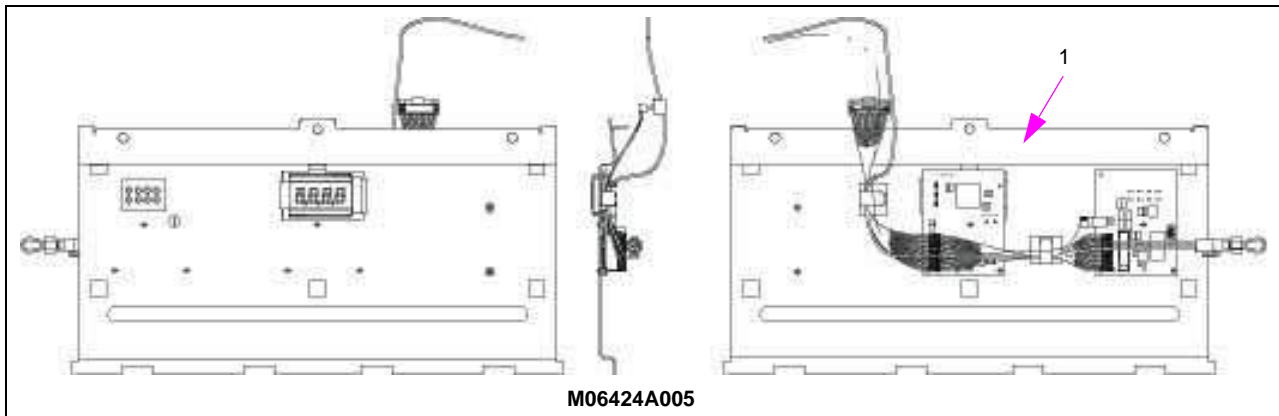


Item #	Part Description	Current Part	Previous Part	Quantity
1	SP III Satellite Indicator with Valve Control PCA	M12985A001	-	1

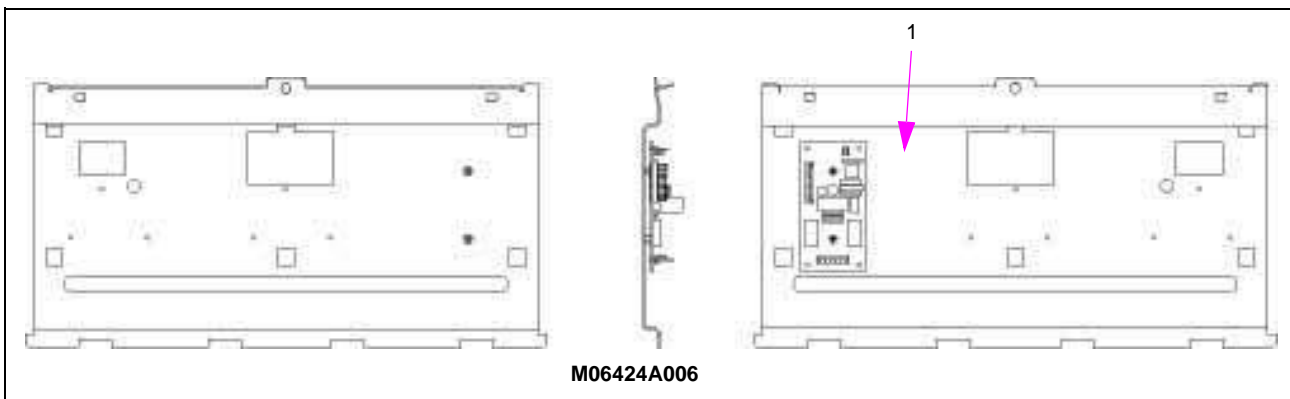
Assembly, PPU Display Single



Item #	Part Description	Current Part	Previous Part	Quantity
1	Assembly, PPU Display Single (see note)	M13339K005	M06424A004	1
<i>Note: M13339K005 Kit replaces M06424A004. Kit uses M12982A008 1-grade with satellite on indicator.</i>				

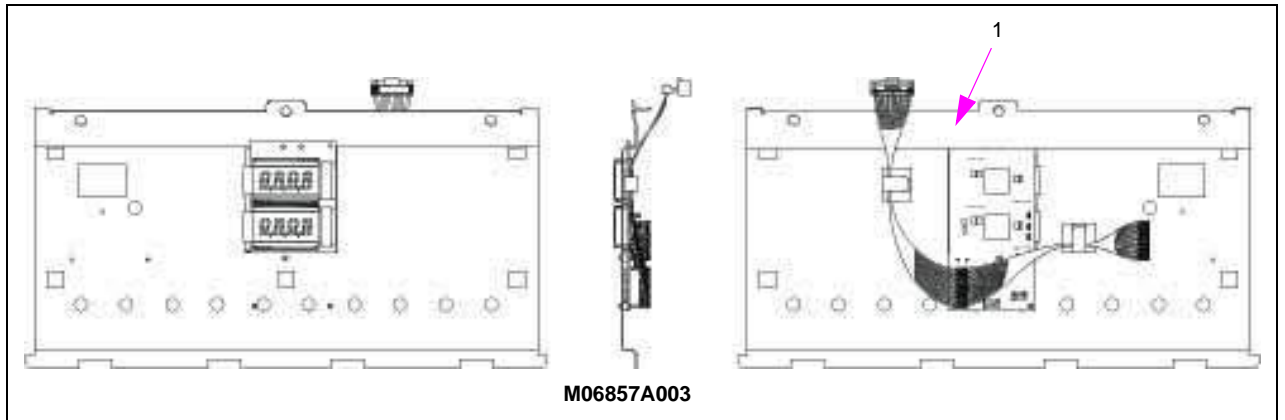


Item #	Part Description	Current Part	Previous Part	Quantity
1	Assembly, PPU Display Single Satellite	M13339K005	M06424A005	1

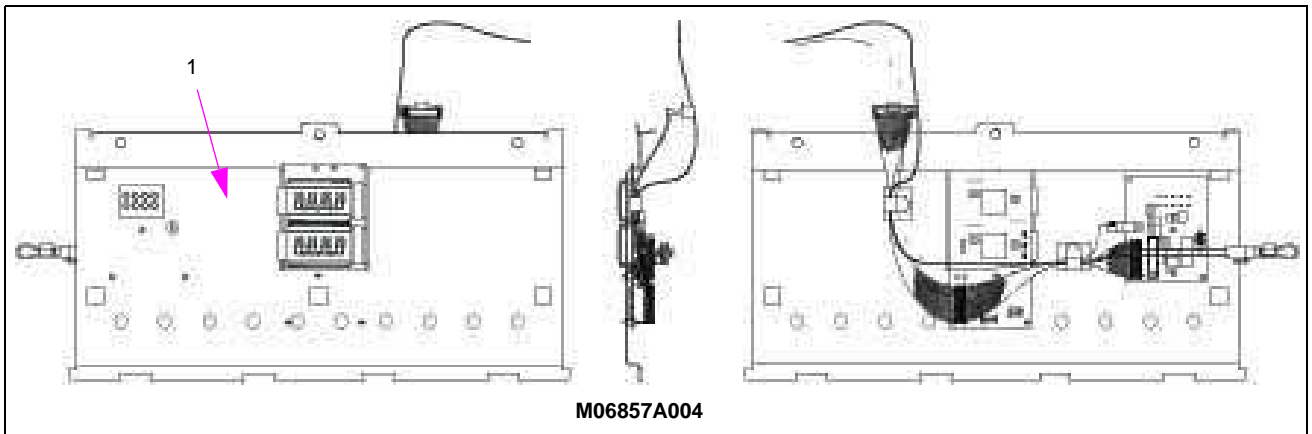


Item #	Part Description	Current Part	Previous Part	Quantity
1	Assembly, PPU Display Single (obsolete, see note)	-	M06424A006	1
<i>Note: No replacement.</i>				

Assembly, PPU Display Dual

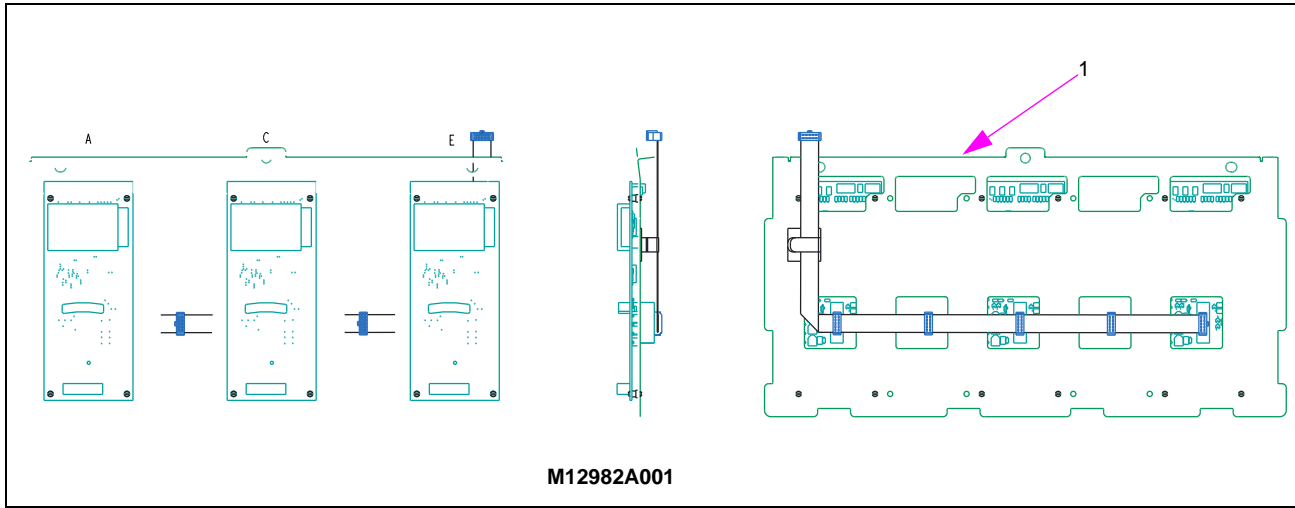


Item #	Part Description	Current Part	Previous Part	Quantity
1	Assembly, PPU Display Dual	M13339K006	M06857A003	1



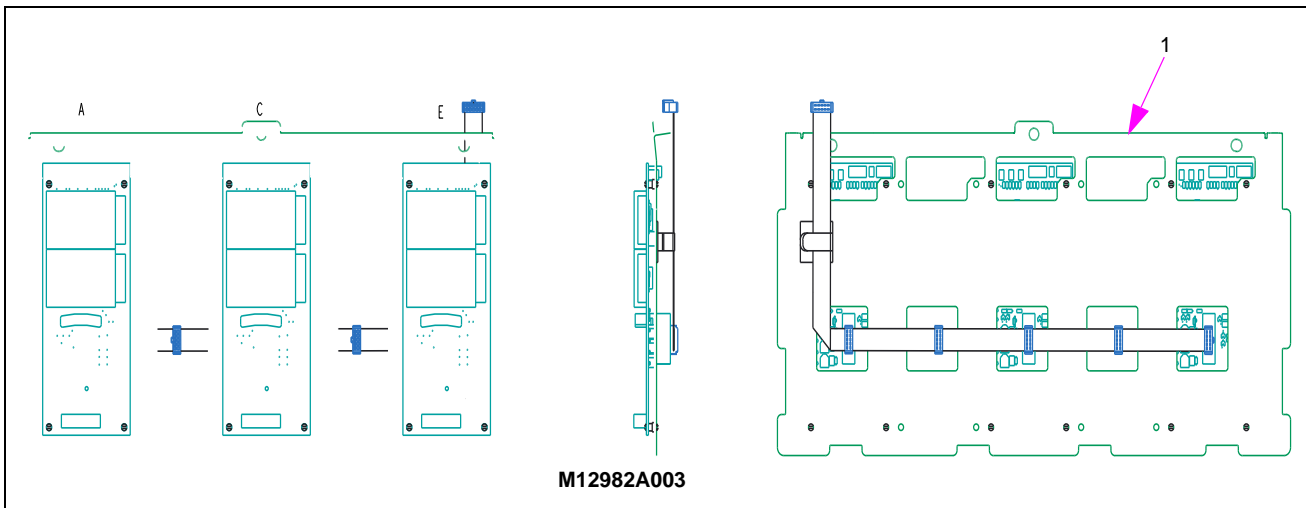
Item #	Part Description	Current Part	Previous Part	Quantity
1	Assembly, PPU Display Dual Satellite	M13339K006	M06857A004 M06757A004	1

SP III 3-grade Single Level PPU Assembly



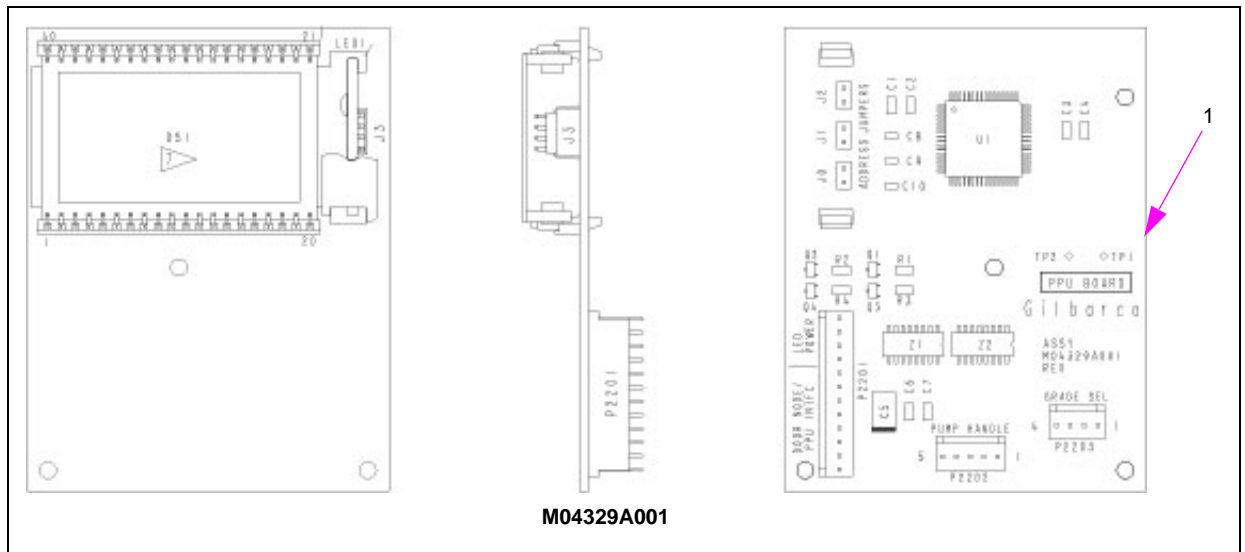
Item #	Part Description	Current Part	Previous Part	Quantity
1	SP III 3-grade Single Level PPU Assembly	M12982A001	-	1

SP III 3-grade Dual Level PPU Assembly



Item #	Part Description	Current Part	Previous Part	Quantity
1	SP III 3-grade Dual Level PPU Assembly	M12982A003	-	1

PCA Single PPU



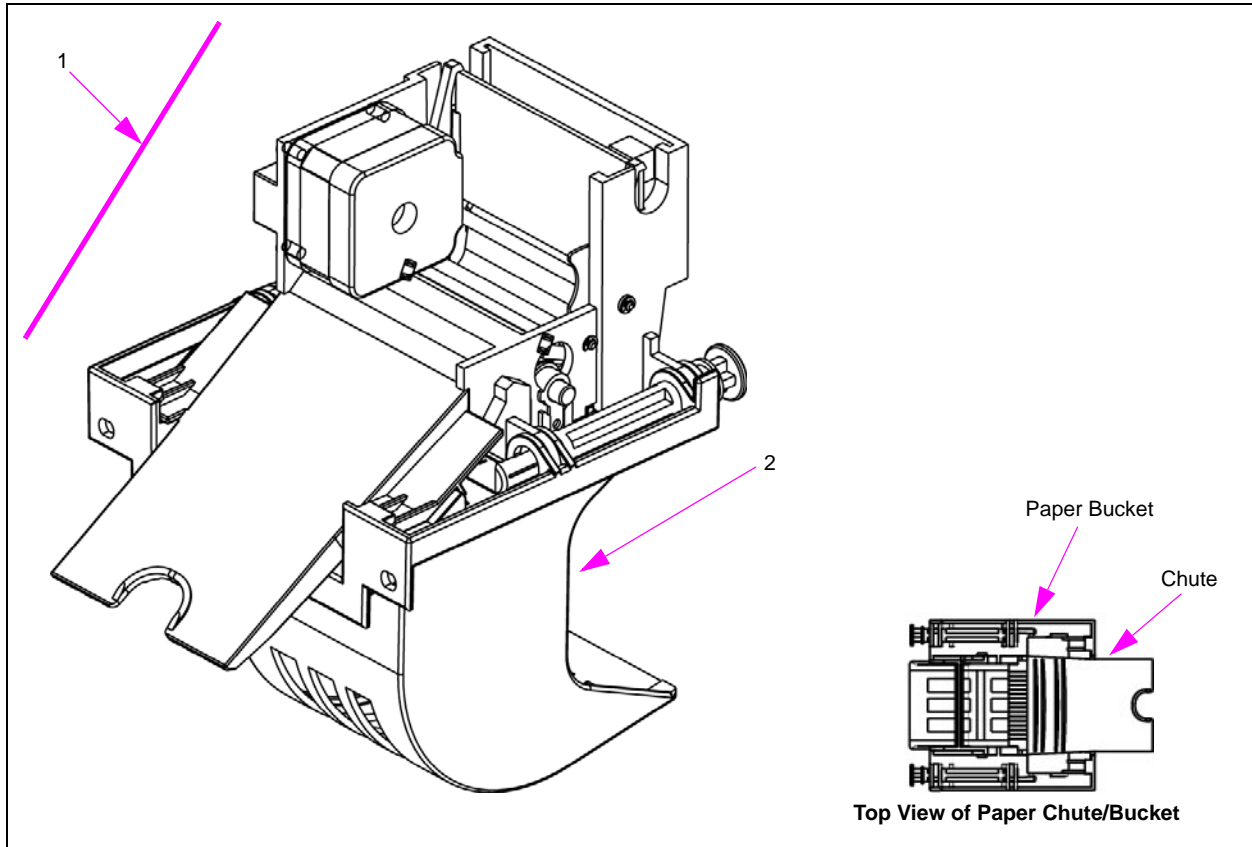
M04329A001

Item #	Part Description	Current Part	Previous Part	Quantity
1	PCA, Single PPU (see notes 1, 2, and 3)	M04588A001	M04329A001	1

Notes:

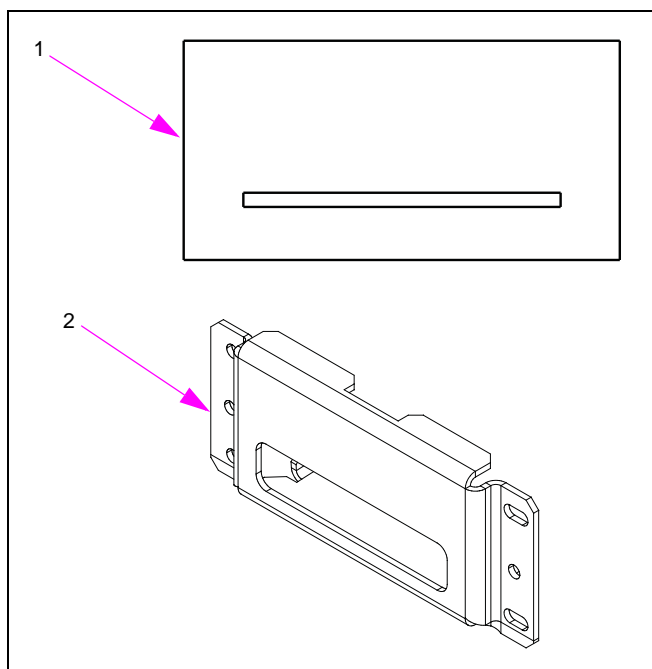
1. PCA, Single PPU M04329A001 is not sold individually. It is sold as part of the following assemblies: M04588A001 or M04588A003 (for square bezel). For Ultra-Hi S series bezels, refer to M06424 which is now replaced by M13339KXXX Kits.
2. M04329A001 has been replaced by M04588A001 as of December 2014.
3. M14385K006 is the substitute part of M04588A001. M04588A001 has been replaced by M14385K005 or M14385K006. For more information on E500 PPU and SW Display Assembly, M04588A001, refer to [page 5-6](#).

USB Printer Assembly [M04119A001 (After November 2004)]



Item #	Part Description	Current Part	Previous Part	Quantity
1	Universal Serial Bus (USB) Printer Assembly	M04119A001	-	1
2	Paper Chute/Bucket (see note 1)	M13832K003	M04220A001	1
Not Shown				
-	4" Printer Paper, Thermal, Blank (see notes 2 and 3)	M04809B012	M04809B002	1
-	4" Printer Paper, Thermal, Low Marks (see notes 2, 3, and 4)	M04809B014	M04809B004	1
-	Cleaning Card	M05194B001	-	1
-	Kit of 10 Short Chutes, Hengstler® Printer	M13832K004	-	1
-	Kit of 10 Printer Pins, Hengstler	M13832K005	-	1
-	Kit of 10 Long Chutes, Hengstler	M13832K006	-	1
<p>Notes:</p> <ol style="list-style-type: none"> M04220A001 is sold as M05822B002 (package of 10 pieces). Customers can use High Speed Thermal Paper (M04809B016) supplied by Fujitsu®, NCR® and/or Wallace but Gilbarco recommends to use new M04809B012 or M04809B014. Used on USB Printers (M04119A001) only. Customers must use M04809B004 Paper along with USB Printer (M04119A001) to get Paper Low Status at the POS. M05822B002 is now replaced by M13832K006 (kit of 10 long chutes). 				

Printer Parts [USB (After November 2004)]

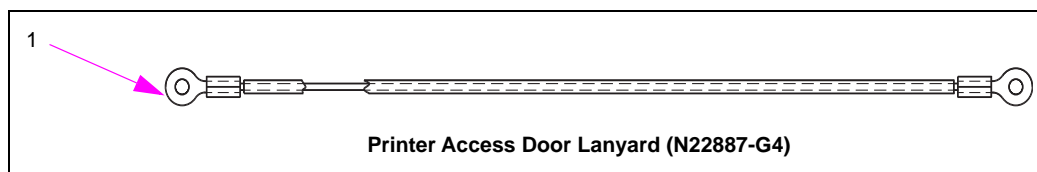


Item #	Part Description	Current Part	Previous Part	Quantity
1	Printer Gasket (see notes 1 and 2)	M00325B001	M00325B002	1
2	Printer Bezel Mounting Bracket (see notes 2 and 3)	M12708B001	M03534B001	1

Notes:

1. Used with USB Printer Assembly (M04119A001).
2. Printer Gasket (M00325B002) is not sold individually. It is sold as part of Door Gasket Kit (K96626-01). Door Gasket Kit (K96626-01) is now obsolete with no replacement.
3. Printer Bezel Mounting Bracket (M03534B001) is not backward compatible with Printer Assembly (M00317A001).

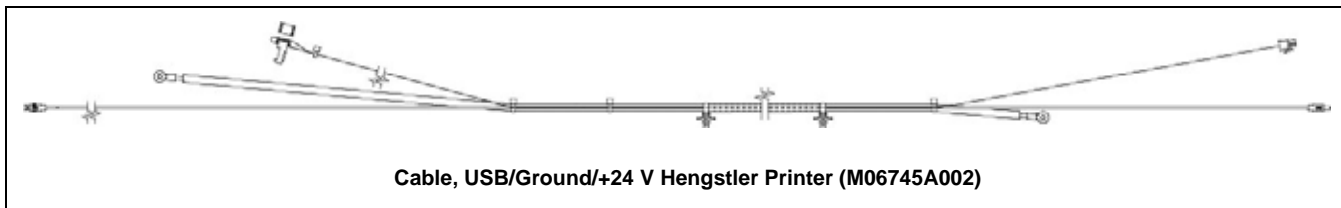
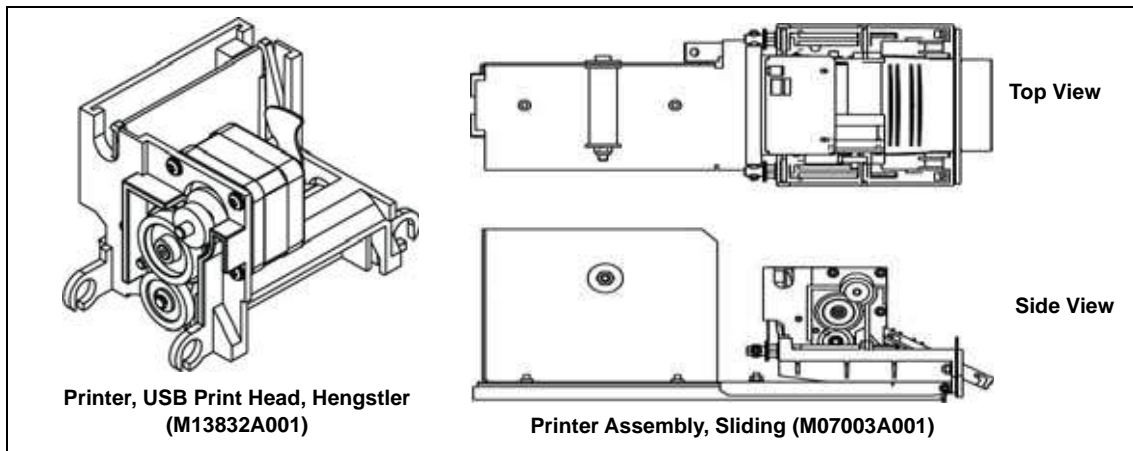
Parts [USB (Encore S Series - Monochrome)]



Printer Access Door Lanyard (N22887-G4)

Item #	Part Description	Current Part	Previous Part	Quantity
1	Printer Access Door Lanyard	N22887-G4	-	1
Not Shown				
-	Bracket, Chute Gasket (obsolete, see note)	-	M05824B002	1
-	Gasket, Printer Chute (obsolete, see note)	-	M05919B002	1
<i>Note: No replacement.</i>				

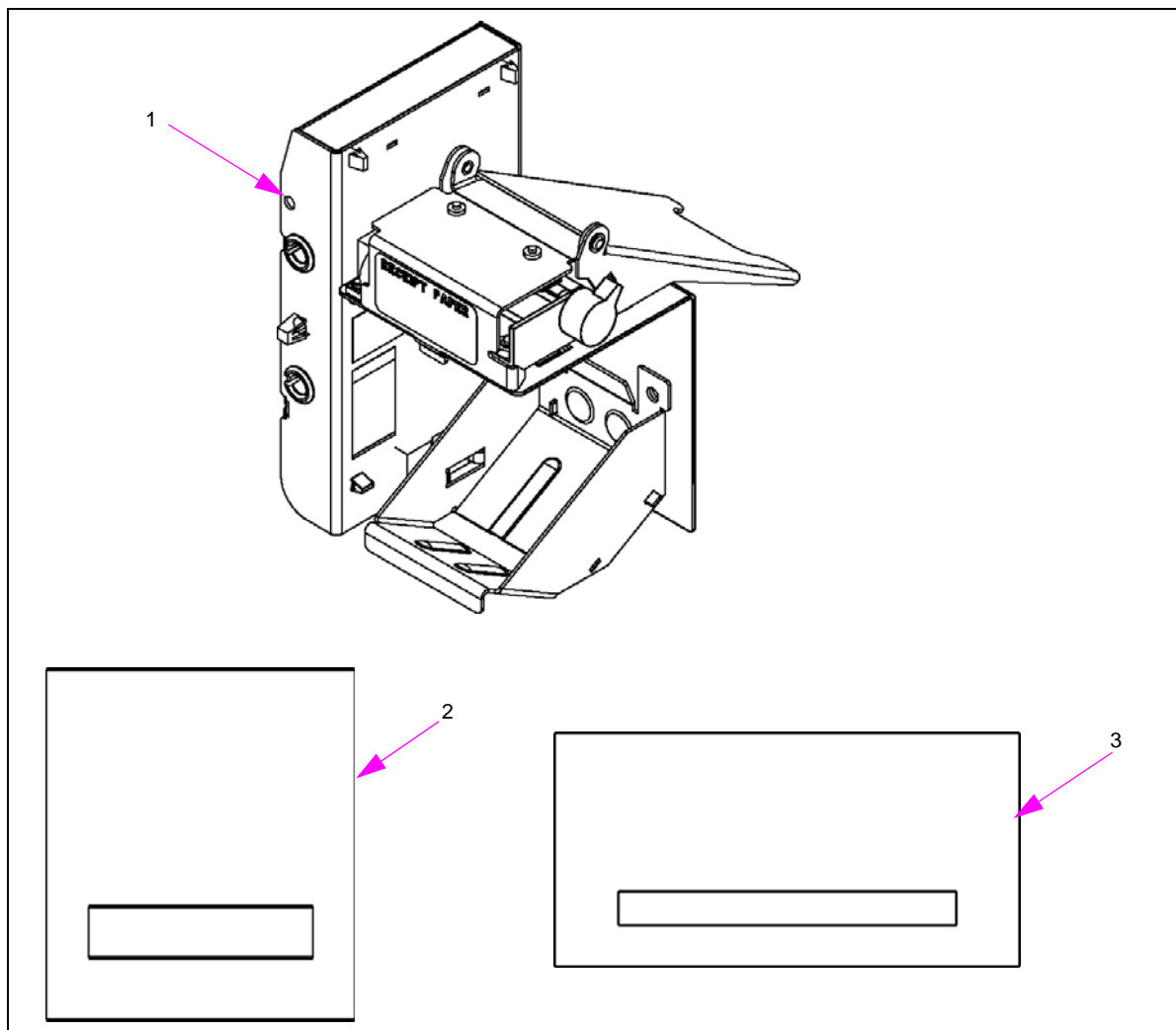
Printer Assembly (Encore S)



Note: You can use the current Hengstler printer mechanism as a spare.

Item #	Part Description	Current Part	Previous Part	Quantity
1	USB Printer Assembly [After April 2006 (obsolete, see note)]	-	M06972A001	1
	USB Printer Head (Hengstler)	M13832A001	M04219A001	1
2	Printer Assembly, Sliding	M07003A001	-	
3	Cable, USB/Ground/+24 V Hengstler Printer	M06745A002	-	1
Not Shown				
-	6" Printer Paper, Thermal, Blank	M04809B017	-	1
-	6" Printer Paper, Thermal, Low Marks	M04809B018	-	1
-	Cleaning Card	M05194B001	-	1
<i>Note: USB Printer Assembly (M06972A001) is obsolete and replaced by M13832A001 and M13832K002.</i>				

Printer Module Assembly [M00317A001 (Before November 2004)]

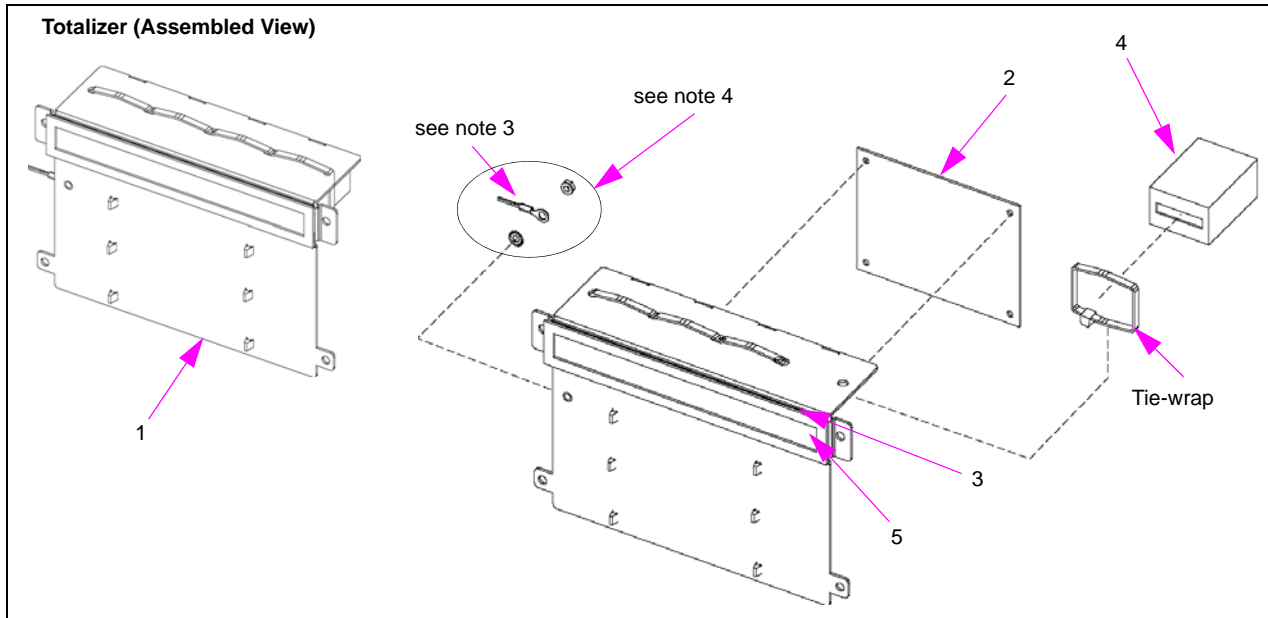


Item #	Part Description	Current Part	Previous Part	Quantity
1	Printer Module Assembly (see notes 1 and 2)	M04489K005	M00317A001	1
2	Printer Bracket	M00318B001	-	1
3	Printer Gasket	M00325B001	-	-
Not Shown				
-	Printer Paper, High Speed Thermal (see note 3)	M04809B016	Q12475-02	1
-	Cleaning Card (see note 2)	Q13400	-	1

Notes:

1. M00317A001 is not forward compatible.
2. M00317A001 is now available only as a repair part. Use M00489K005 Replacement Kit to upgrade to a Hengstler printer.
3. Recommend to use high speed thermal paper supplied by Fujitsu, NCR, and/or Wallace. For more information, refer to PT-1798 Consumables Parts List.

Totalizer Assembly (Encore 500)

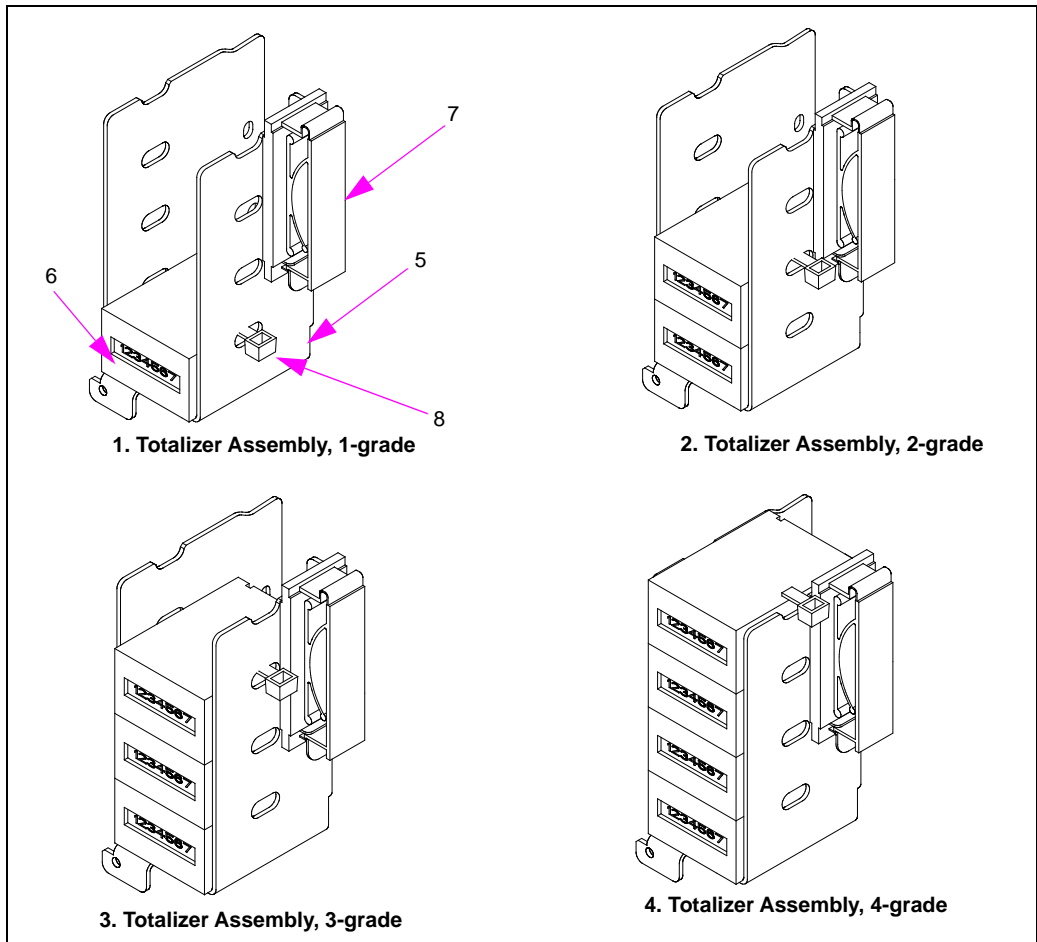


Item #	Part Description	Current Part	Previous Part	Quantity
1	Assemblies, Totalizer	M00346A002	-	1
	Assemblies, Totalizer	M00346A003	-	1
	Assemblies, Totalizer	M00346A004	-	1
2	PCA Totalizer Node	M00077A001	-	1
3	Totalizer Lens (see notes 1 and 2)	M00346A201	M00359A001	1
4	Electro-mechanical Totalizer (see note 3)	M00455A004	M00515A004 M00515A002	2
5	Gasket, Totalizer	M00343B001	-	1

Notes:

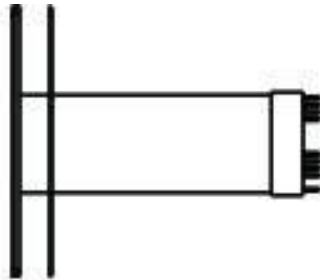
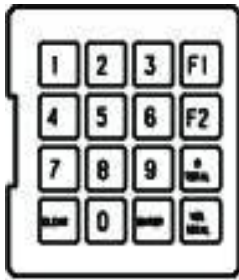
1. When replacing lens, use a new gasket (see item 5).
2. Must purchase Totalizer 1-Grade Assembly (M00346A201) in order to replace lens (M00359A001) and gasket (M00343B001).
3. Quantities will vary per assembly.
4. For more information, refer to ["Cable Assemblies \(Encore 500/550/S/Ultra-Hi\)"](#) on page 6-1.
5. Ground wire, washer, ring term, and nut are not used on new totalizers.

Totalizer Assembly (Encore S Bezel)

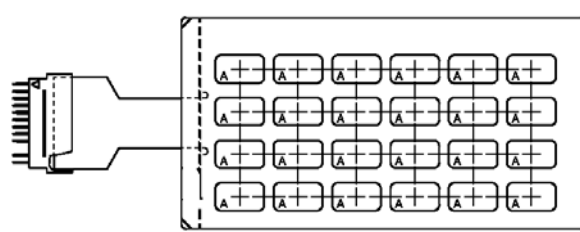


Item #	Part Description	Current Part	Previous Part	Quantity
1	Totalizer Assembly, 1-grade	M07861A001	-	1
2	Totalizer Assembly, 2-grade	M07861A002	-	1
3	Totalizer Assembly, 3-grade	M07861A003	-	1
4	Totalizer Assembly, 4-grade	M07861A004	-	1
5	Totalizer Bracket	M05827B005	-	1
6	Totalizer Electro-Mechanical	M00455A004	-	(see note)
7	Clamp, Flat Cable Mounting	Q13459-01	-	1
8	Cable Ties	Q10178-05	-	1
Not Shown				
-	Screw, TC PNH PHL, 4-4	Q11271-16	-	(see note)
-	Screw, TC PNH PHL, 4-40	Q11271-17	-	(see note)
-	Washer, Flat	N16599-60	-	(see note)
<i>Note: Quantities will vary per assembly.</i>				

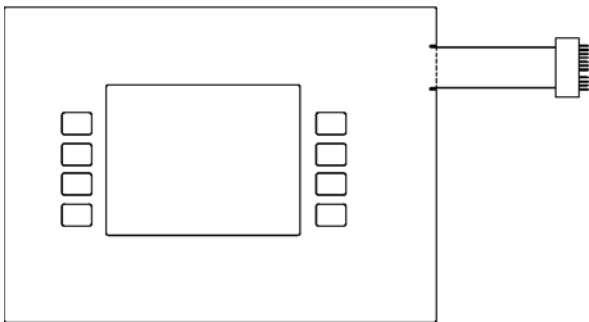
Keypad Assemblies



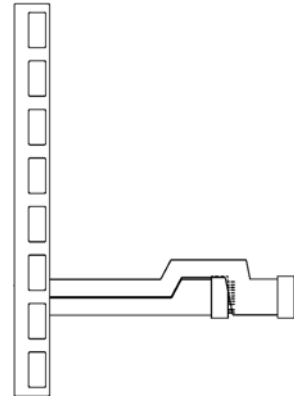
1. Keypad and Flex Magnet, Manager Assembly



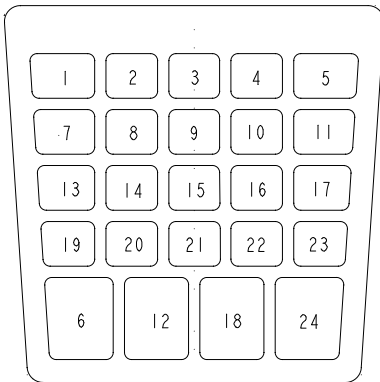
2. Customer Input Keypad (All)



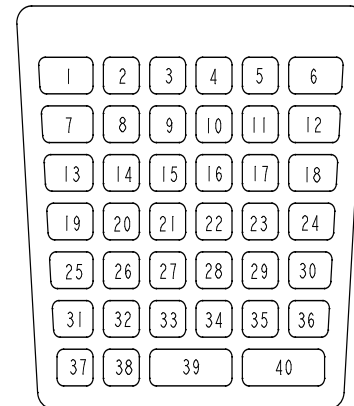
3. Monochrome Softkey Keypad



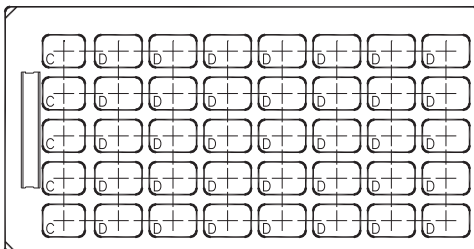
4. CIM Door Options Keypad



5. Customer Input Keypad, ADA CRIND (E-CIM)



6. Customer Input Keypad, Alpha-numeric

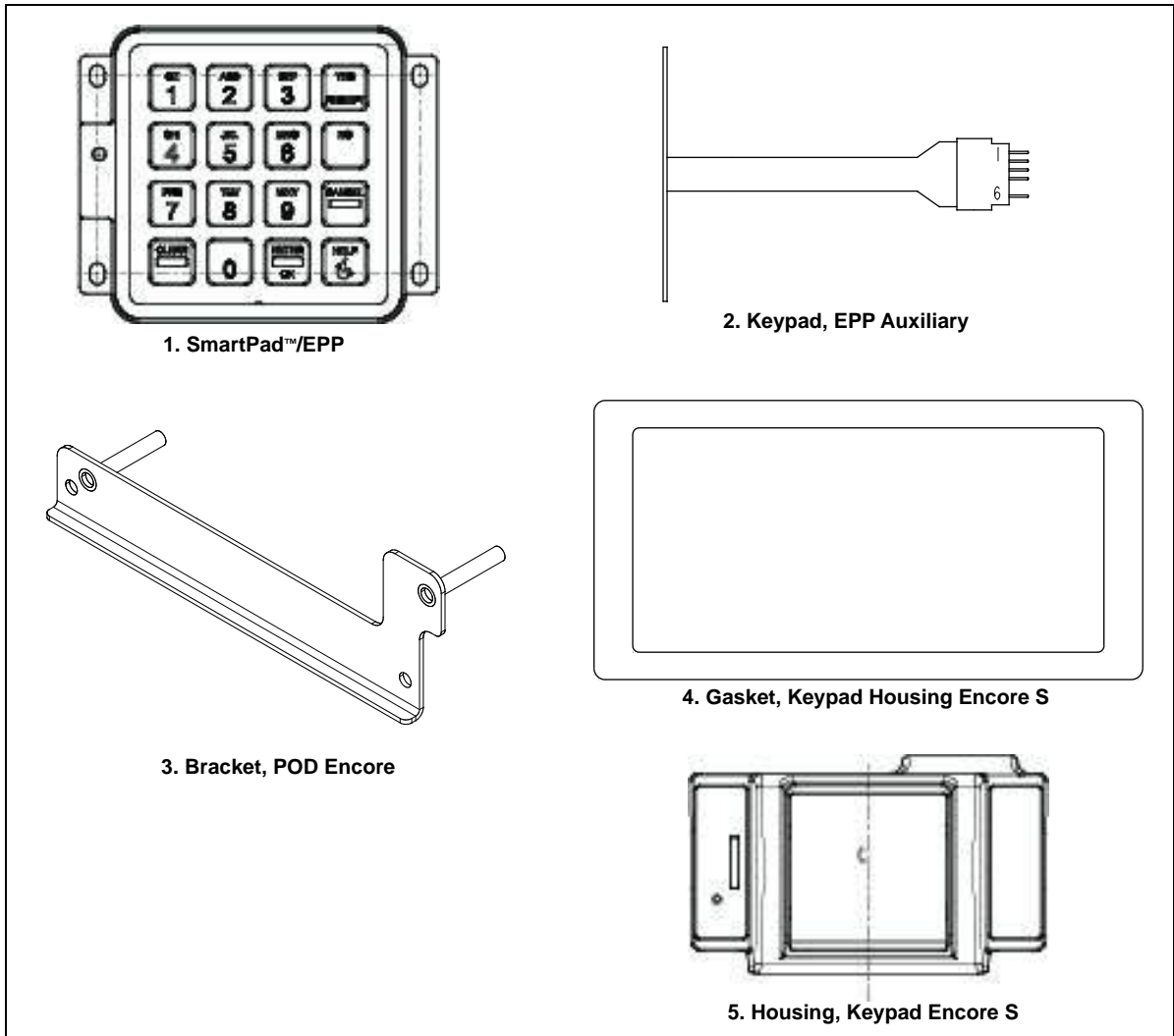


7. Customer Input Keypad, ADA CRIND

Item #	Part Description	Current Part	Previous Part	Quantity
1	Keypad and Flex. Magnet, Manager Assembly	M13448A001	M00147A001	1
2	Customer Input Keypad	M00141B002	-	1
3	Monochrome Softkey Keypad (see note 1)	M01254B003	M01254B002	
	Monochrome Softkey Keypad	M02225K002	M00143B001	1
	Bezel Assembly	M02184A001	-	1
	Cable, Crind Soft Keys	M01200A001	-	1
	Cable, Monochrome Retrofit	M02228A001	-	1
	Rain Shield	M02206A002	-	1
	Clamp, 2" Ribbon Adhesive	Q13459-01	-	1
	Cable Mount, Adhesive	Q13558-04	-	1
	Screw, Phillips Pan Head SEMS, M4X10	Q12845-58	-	1
	Cable, Monochrome PCA to Monochrome Display	M00553A001	-	1
4	CIM Door Options Keypad [see note (Canada only)]	M01109B003	M01109B002	1
5	Customer Input Keypad, ADA CRIND, E-CIM	M07689B002	-	1
6	Customer Input Keypad, Alpha-numeric	M07763B002	-	1
7	Customer Input Keypad, ADA CRIND (see note 2)	M00141B003	-	1
Not Shown				
-	CIM Door Option Start/Stop/Call Keypad [Domestic only]	M01735B001	-	1
-	Holder-nozzle with Lock and Fastener CPL	M02428A001	M10248B001	1
Notes: 1. Keypad graphics are order-entry items. Contact a Gilbarco representative before placing order. No more than two layers of graphics must be applied over a keypad. 2. Must order Alpha Numeric Keypad Kit M06975K001				

FlexPay EPP V1.3

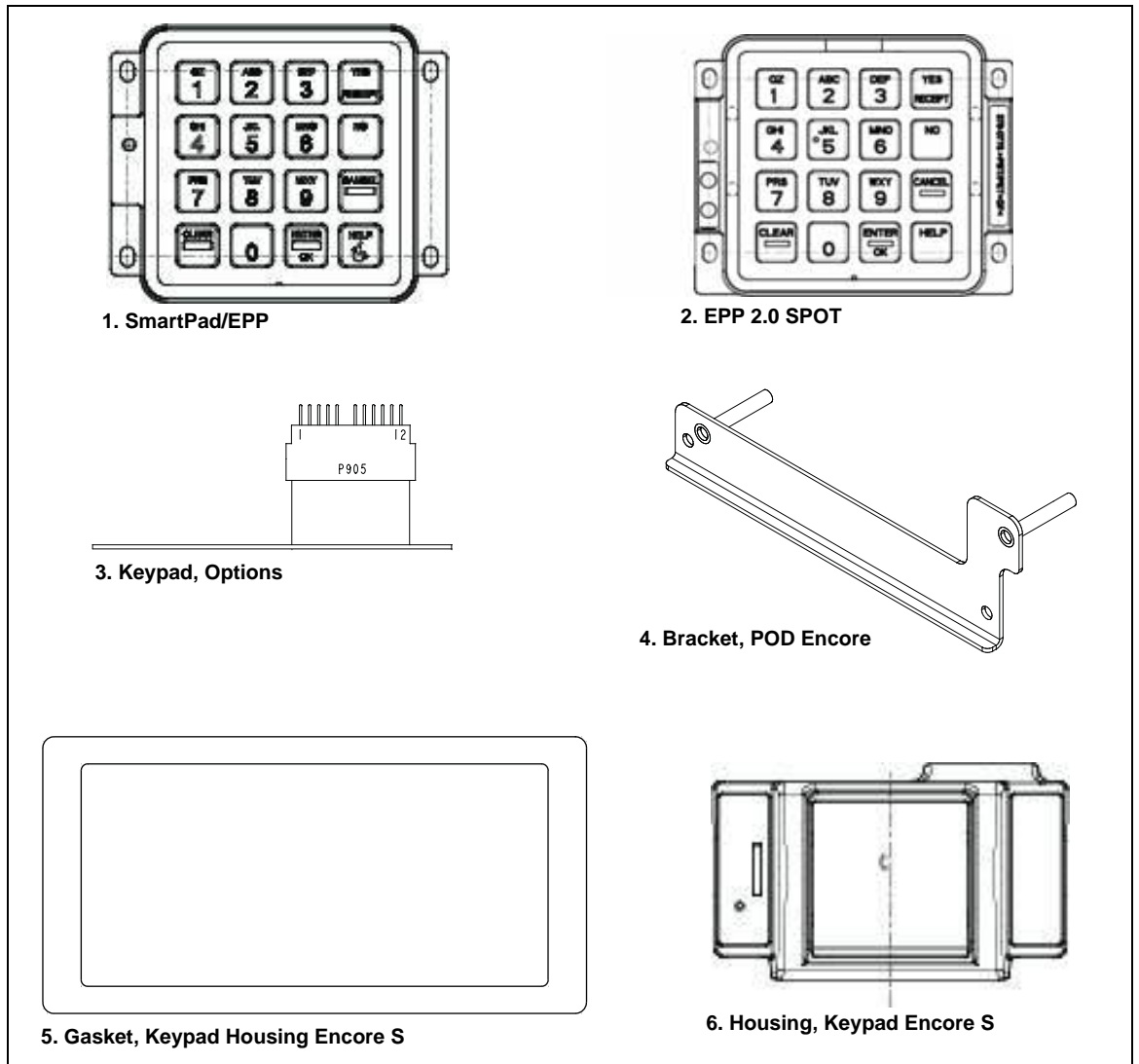
Encore S



Item #	Part Description	Current Part	Previous Part
1	SmartPad/FlexPay EPP	M08228K003	-
2	Keypad, EPP Auxiliary	M08418B001	-
3	Bracket, POD Encore	M08405A001	-
4	Gasket, Keypad Housing Encore S	M08406B001	-
5	Housing, Keypad Encore S (see note)	M08404B001XXX	-

Note: XXX denotes the color code.

Encore S E-CIM



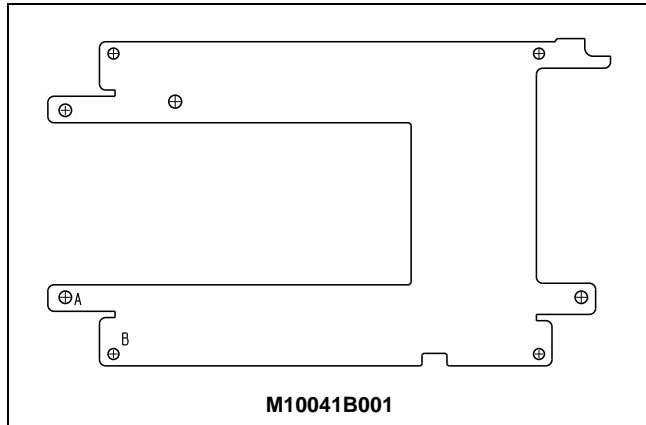
Item #	Part Description	Current Part	Previous Part	Quantity
1	SmartPad/FlexPay EPP	M08228K003	-	-
2	EPP 2.0 Secure PIN Pad for Outdoor Terminal (SPOT) Kit (see note 1)	M10661K001	-	-
3	Keypad, Options	M08430B002	-	-
4	Bracket, POD Encore	M08405A001	-	-
5	Gasket, Keypad Housing Encore S	M08406B001	-	-
6	Housing, Keypad Encore S (see note 2)	M08404B001XXX	-	-

Notes:

1. M10661K001 is not backward compatible with M08228K003.
2. XXX denotes the color code.

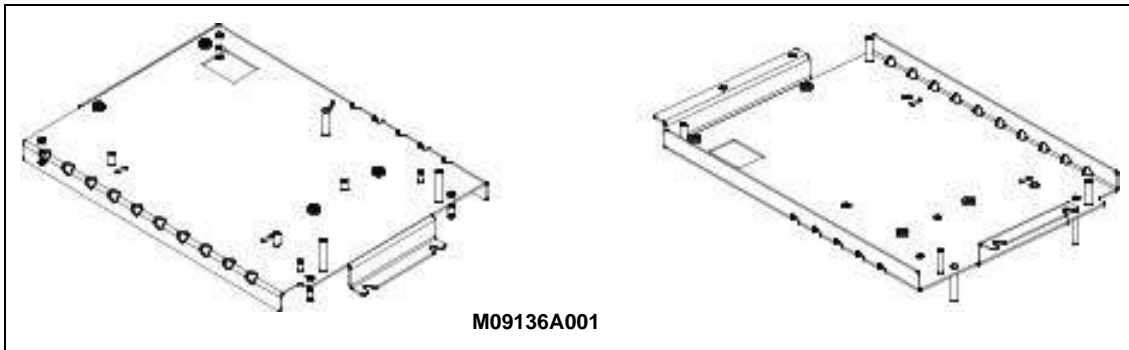
FlexPay Unattended Payment Terminal (UPT)

Bracket Display



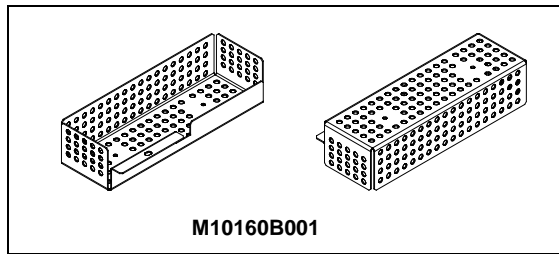
Item #	Part Description	Current Part	Previous Part	Quantity
1	Bracket Display <i>Note: This is not sold individually. It is sold as part of Bracket Display Assembly (M10041A001).</i>	M10041B001	-	-

Bracket, Assembly Color Display



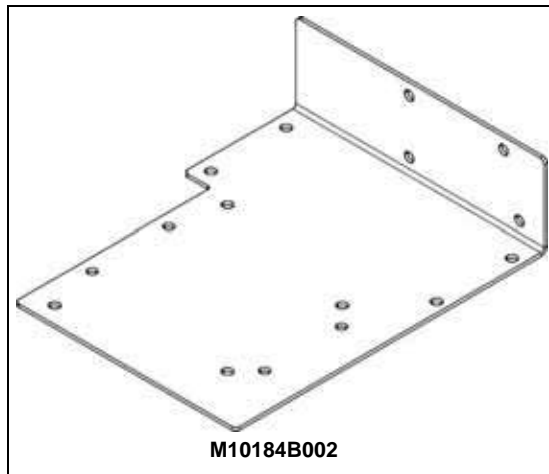
Item #	Part Description	Current Part	Previous Part	Quantity
1	Bracket, Assembly Color Display	M09136A001	-	-

Cover, Inverter Color Display



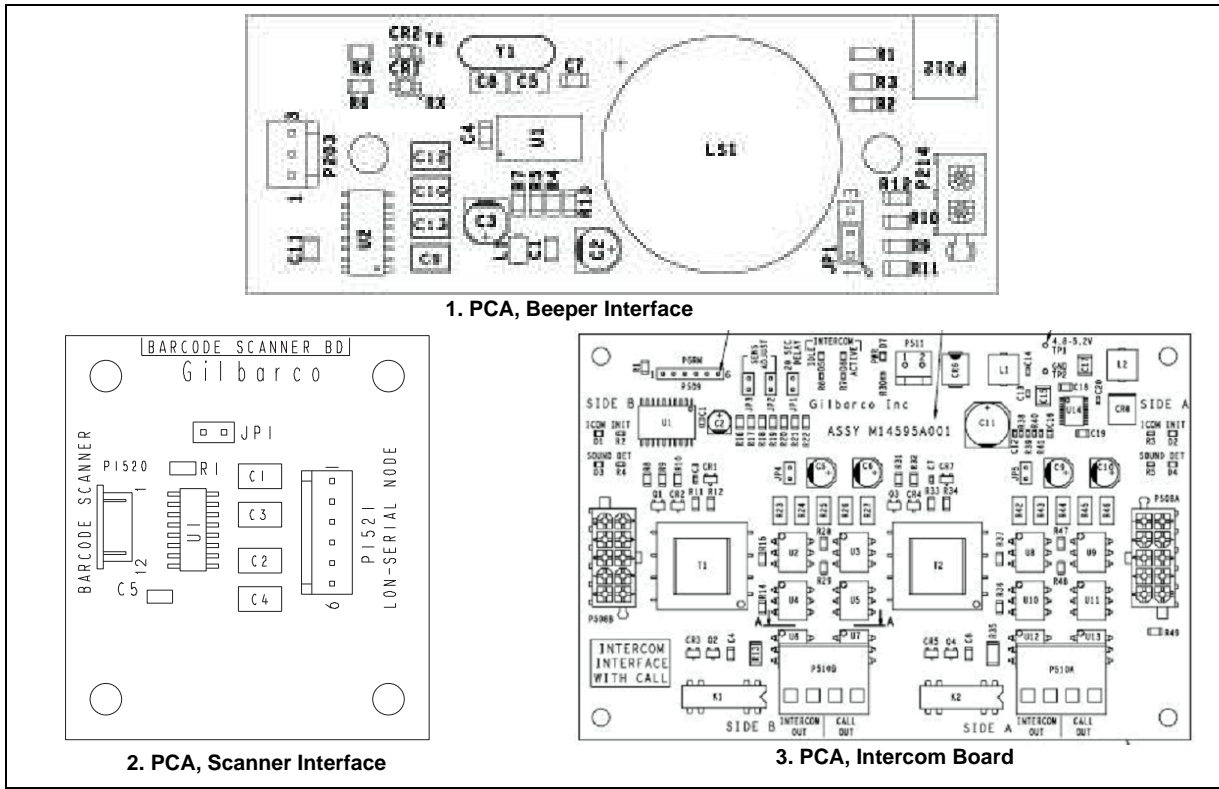
Item #	Part Description	Current Part	Previous Part	Quantity
1	Cover, Inverter Color Display	M10160B001	-	-

Bracket, Assembly Mount



Item #	Part Description	Current Part	Previous Part	Quantity
1	Bracket, Assembly Mount USB-to-Local Operating Network (LON)	M10184B002	-	-

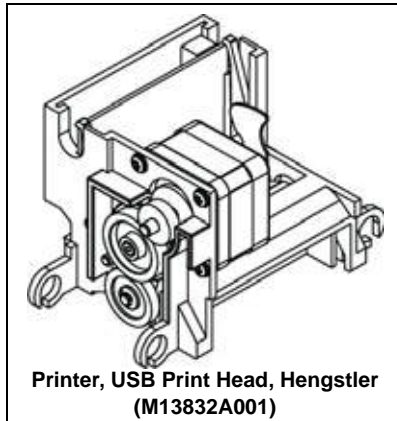
PCA



Item #	Part Description	Current Part	Previous Part	Quantity
1	PCA, Beeper Interface	M09232A001	-	-
2	PCA, Scanner Interface	M10402A001	-	-
3	PCA, Intercom Board (see note)	M14595A001	M09751A001 M09751A002	-

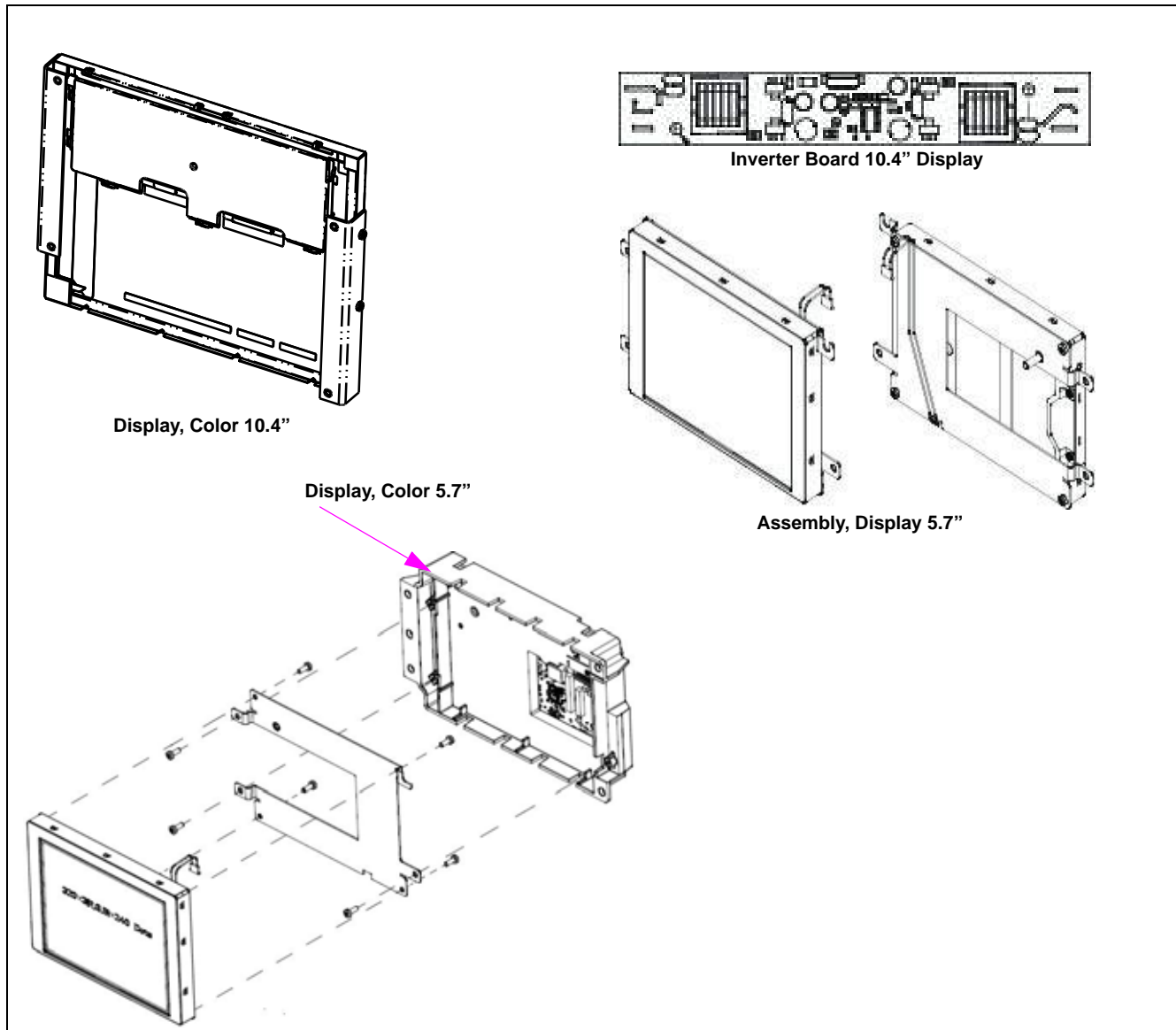
Note: M14595A001 PCA supports intercom and call function.

Printer USB Control Module



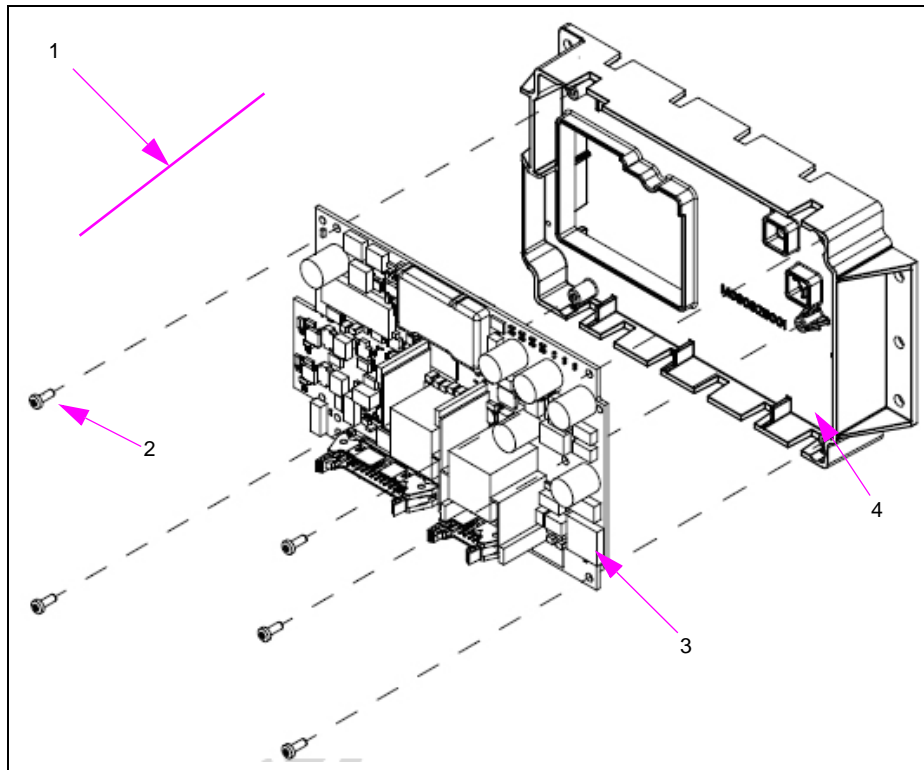
Item #	Part Description	Current Part	Previous Part	Quantity
1	USB Printer Head (Hengstler)	M13832A001	M04219A001	1

Display



Item #	Part Description	Current Part	Previous Part	Quantity
1	Display, Color 10.4" (see note 1) M14620K001 (Reference only)	M14004A001	M10370B001	-
2	Inverter Board 10.4" Display (see note 1)	M10371A001	-	-
3	Display, Color 5.7" (see note 2)	M10369B002	M10369B001	-
4	Assembly, Display 5.7" (see note 3)	M09193A001	M10040A001	-
Not Shown				
-	Replacement Backlight Bulb for Color Display 10.4"	M10370B002	-	-
Notes: 1. Display, Color 10.4" (M10370B001) and Inverter Board 10.4" Display (M10371A001) are not sold individually. They are sold as part of M10076A001 Assembly. 2. Display, Color 5.7" (M10369B002) is not sold individually. It is sold as part of M09193A001 Assembly. 3. M09193A001 is no longer sold. Must order M10369B001, 5.7" Color Display and M11930K001 Spare Secure Payment PCB (SPP) Kit.				

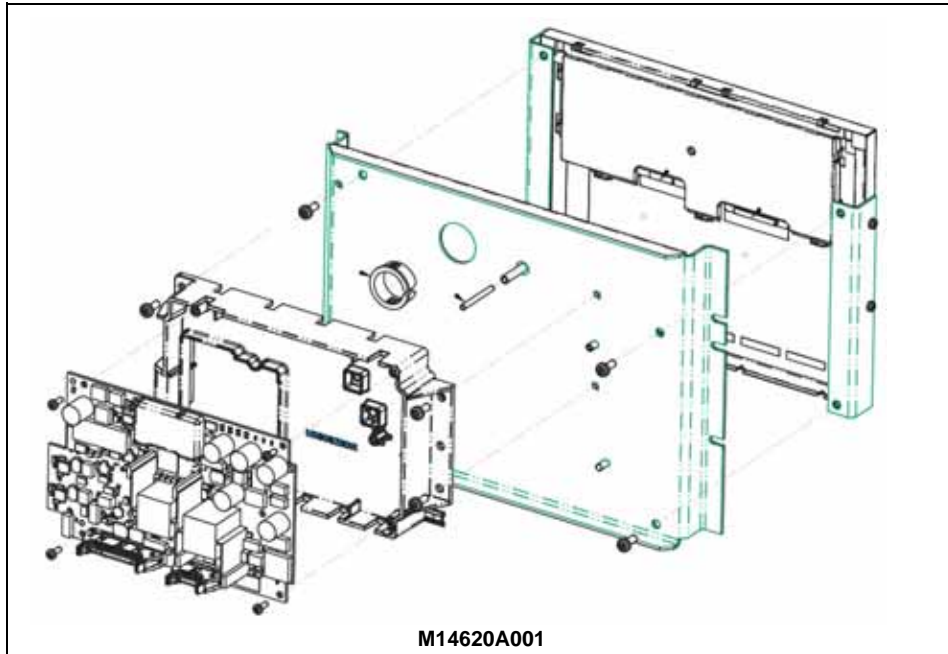
SPP Spare Kit (5.7-inch Color Display Assembly)



Item #	Part Description	Current Part	Previous Part	Quantity
1	SPP Spare Kit (5.7" Color Display Assembly) (see note)	M11930K001	M09193A002	-
2	Screw, Hexalobular Socket Pan-head Torx®, M3 X 8	M10314B001	-	5
3	Display, PCB	M09115A002	M09115A001	1
4	Housing, Display	M09082B001	-	1

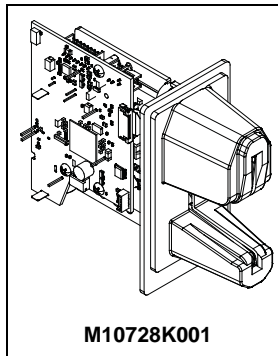
Note: M11930K001, SPP Spare Kit is the substitute part for M09193A002, SPP and Housing Assembly.

Assembly 10.4-inch Color Display



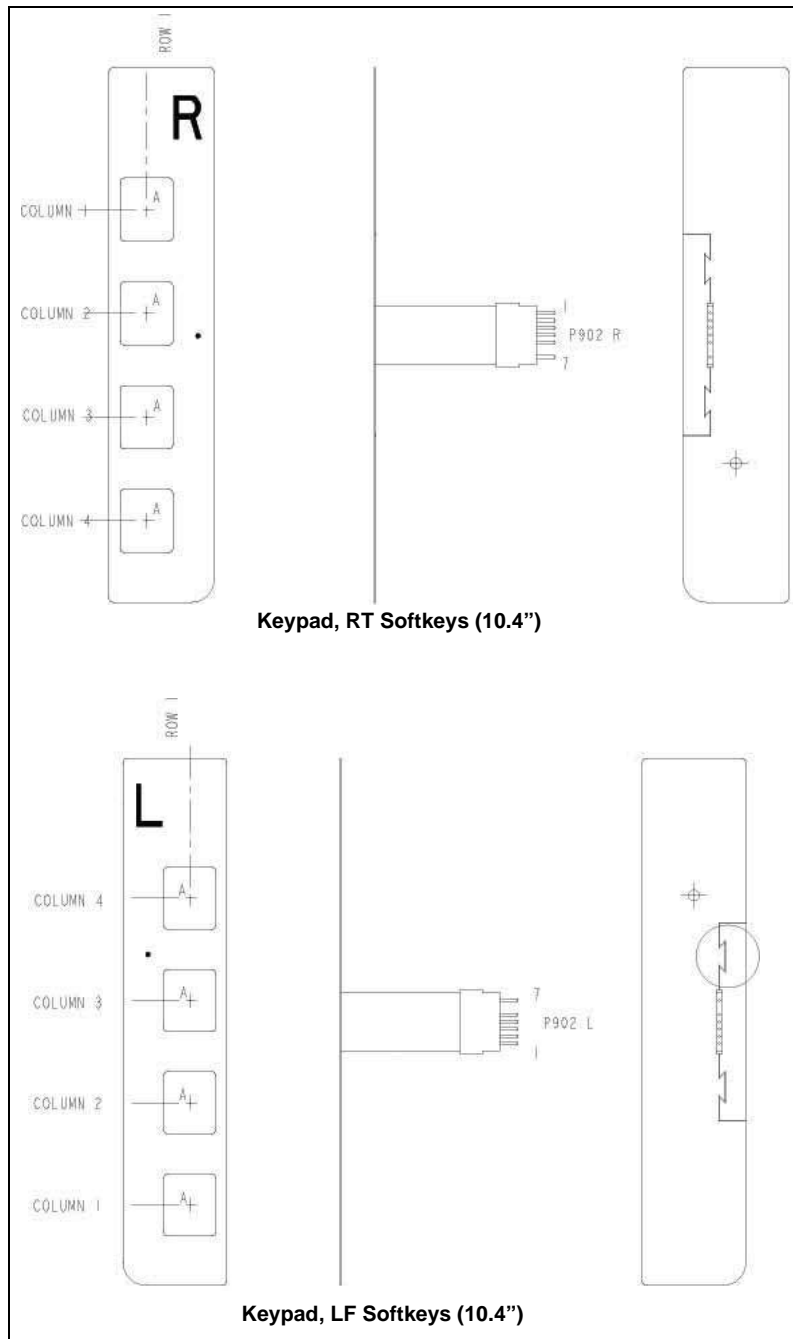
Item #	Part Description	Current Part	Previous Part	Quantity
1	10.4" Color Display Assembly (see note)	M14620A001	M10076A001	-
<i>Note: When replacing Color Display Assembly (M10076) with M14620A001 use the M14620K001 Kit.</i>				

Secure Card Reader (SCR) 2



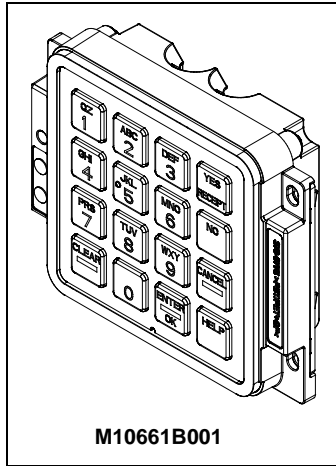
Item #	Part Description	Current Part	Previous Part	Quantity
1	Kit, Card Reader NGP with Gaskets (see note 1)	M10728K001	-	-
	Kit, SCR Payment Card Industry (PCI) 1.3 to 2.0 (Conversion) (see note 2)	M12547K001	-	1
Notes: 1. For spares, use PCI 2 SCR M10728K001. 2. M12547K001 Kit includes brackets for several models.				

Keypad



Item #	Part Description	Current Part	Previous Part	Quantity
1	Keypad, RT Softkeys (10.4")	M10206B001	-	-
2	Keypad, LF Softkeys (10.4")	M10206B002	-	-

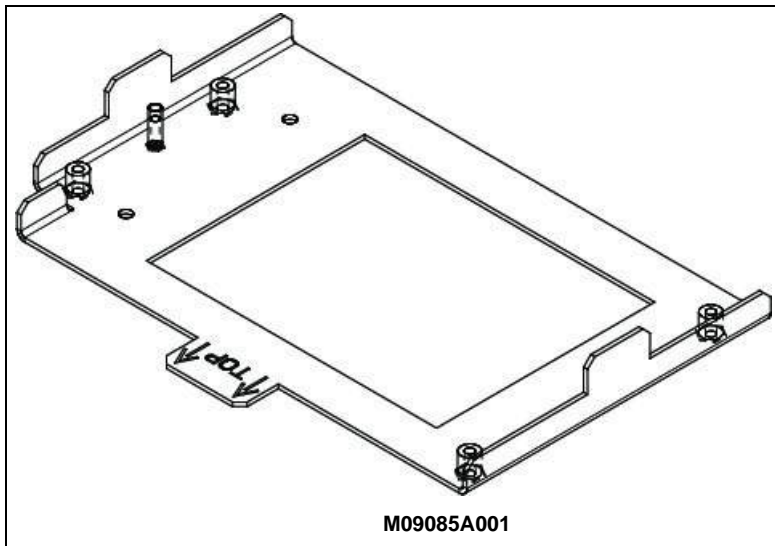
FlexPay EPP V2



Item #	Part Description	Current Part	Previous Part	Quantity
1	FlexPay EPP V2	M10661B001	-	-

Note: M10661K001 is the substitute part of M10661B001.

Plate, Assembly Adapter



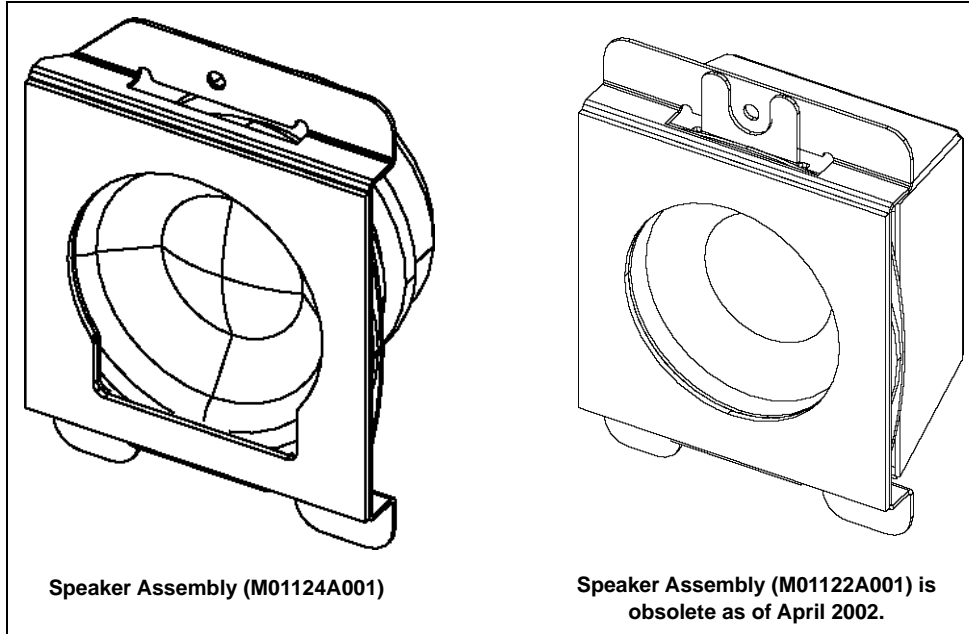
Item #	Part Description	Current Part	Previous Part	Quantity
1	Plate Adapter Assembly	M09085A001	-	1

Vanguard

5.7 and 10.4-inch Display				
1	5.7" Display Assembly	M13754A001	-	-
2	10.4" Display Assembly	M14083A001	-	-
3	Keypad, Right Softkeys	M10206B001	-	-
4	Keypad, Left Softkeys	M10206B002	-	-
5	Verifone Card Reader	M14330A001	-	-
6	Assembly, UPM, Programmed	M13888A901	-	-
7	PCA, AFP	M13124A001	-	-
8	PCA, GSoM	M14059A001	-	-
9	Cable, Wire and Speaker	M09259A00X	-	-
10	PCA, Intercom Interface	M14595A001	-	-
11	Verifone GSM Assembly UX400	M14331A001	-	-
5.7" Display Assembly				
12	5.7" Display Assembly	M13754A001	-	-
13	5.7" Display Mounting	M13753A001	-	-
14	Circuit Board Support	Q10651 11	-	-
15	ZIF Cable, Reverse Bare	M14662B001	-	-
16	Display, Color 5.7"	M10369B002	-	-
17	PCA, PIP 3 (5.7")	M13987A001	-	-
18	Cable, USB 315 MM	M03695B007	-	-
19	Screw, Phillips Pan Head Sems M3	Q12845 36	-	-
20	Screw, Hexalobular Socket	M10314B001	-	-
10.4" Display Assembly				
21	10.4" Display Assembly	M14083A001	-	-
22	Display, Color 10.4"	M14004A002	-	-
23	10.4" Display Mounting	M13950B001	-	-
24	Cable, LVDS Data	M13722A002	-	-
25	Cable, Kyocera Backlight	M14134A001	-	-
26	Circuit Board Support	Q10651 38	-	-
27	Circuit Board Support	Q10651 11	-	-
28	Nut, Metric, Flange	M00414B001	-	-
29	PCA, PIP 3 (10.4")	M13987A002	-	-
30	Push In Rivet	M14454B001	-	-
31	Cable, USB 315 MM	M03695B007	-	-
32	Screw Phillips Pan Head Sems M4 X	Q12845 58	-	-
Alphanumeric UPM				
33	Alphanumeric UPM, standard with CRIND BIOS	M15550A901	-	-
34	Alphanumeric UPM, standard without CRIND BIOS	M15550A902	-	-

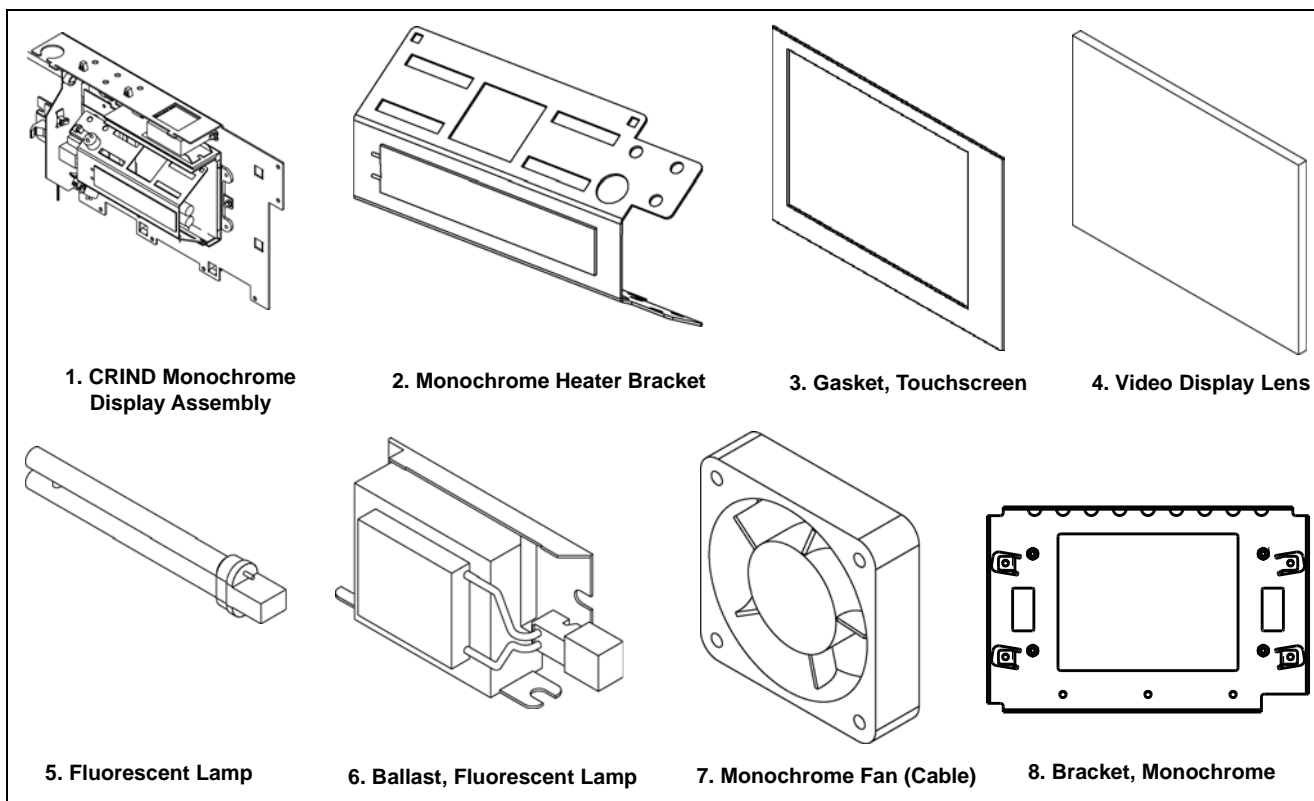
Speaker Assembly

Item #	Part Description	Current Part	Previous Part	Quantity
1	Speaker Assembly	M01124A001	M01122A001	1
-	Nut, Hexagonal with External Lockwasher	Q12885-05	-	4



CRIND Monochrome Display Assembly

Fluorescent Backlight Version (Units Built Before July 14, 2001)



Item #	Part Description	Current Part	Previous Part	Quantity
1	CRIND Monochrome Display Assembly [Fluorescent Backlight Version only (No Longer Used)]	(see notes 1 and 2)	M00696A001	1
2	Monochrome Heater Bracket Assembly	(see note 1)	M01083A001	1
3	Gasket, Touchscreen	(see note 1)	R20682-01	1
4	Video Display Lens	(see note 1)	M00683B001	1
5	Fluorescent Lamp	Q12929-02	-	1
6	Ballast, Fluorescent Lamp	Q13164-07	-	1
7	Monochrome Fan (Cable)	(see note 1)	M00822B002	1
8	Bracket, Monochrome	M05961A001	-	1

Notes:

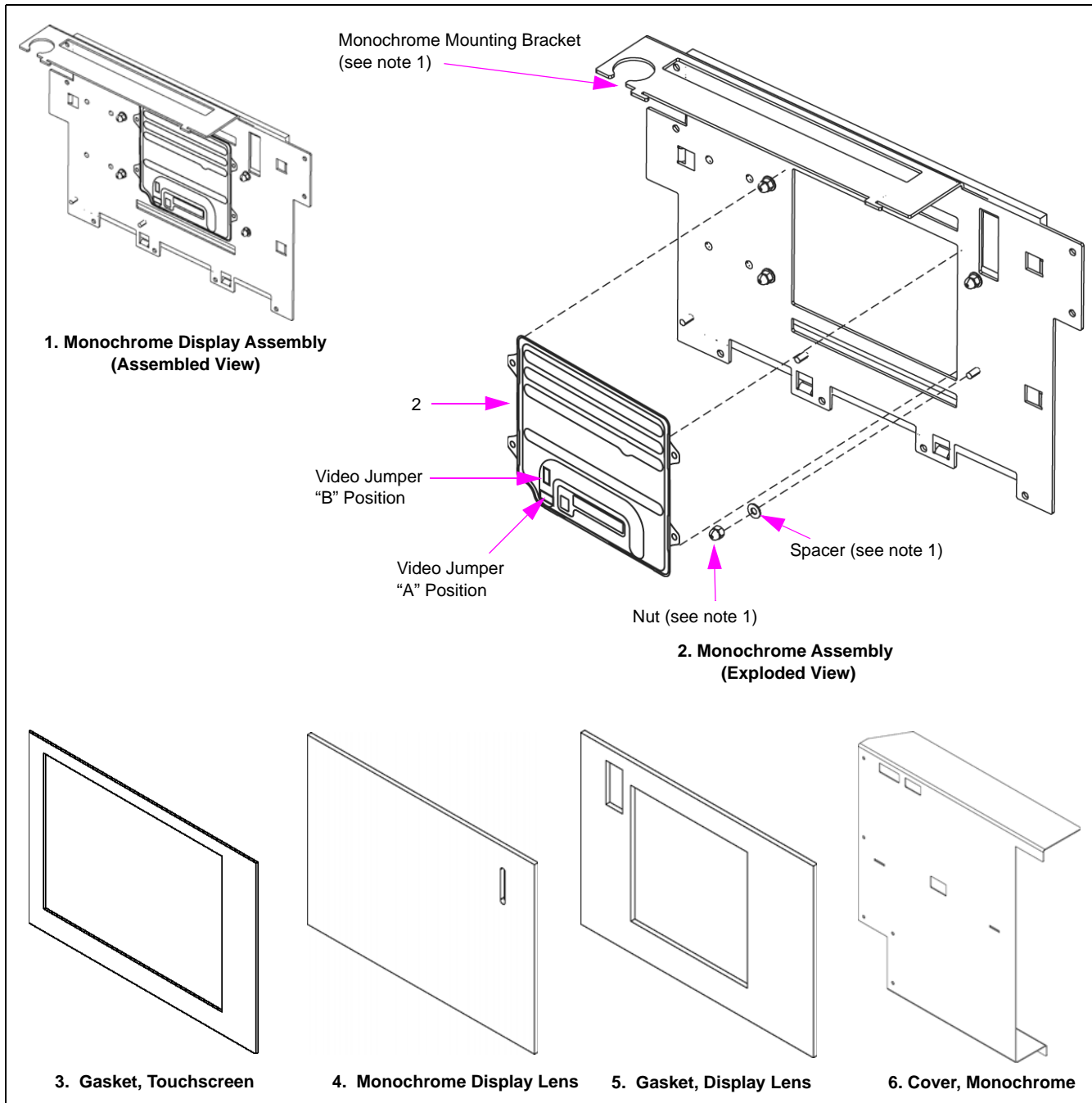
1. No longer in production as of July 14, 2001. Contact a Gilbarco representative before ordering.

2. A conversion kit to the new display is required. The following conversion kits are available:

- Encore Monochrome Conversion Kit Without Display (M02098K001).
- Encore Monochrome Conversion Kit with Display (M02098K002).

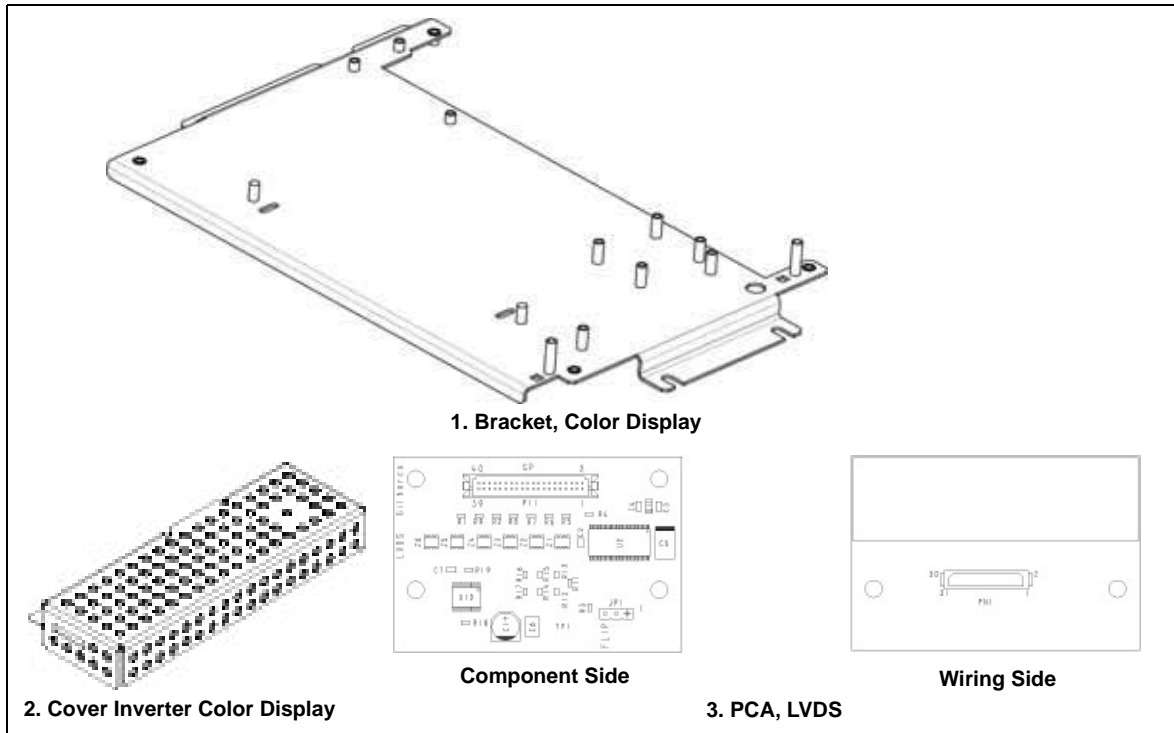
CRIND Monochrome Display Assembly

Note: No longer in production. Available for spares.



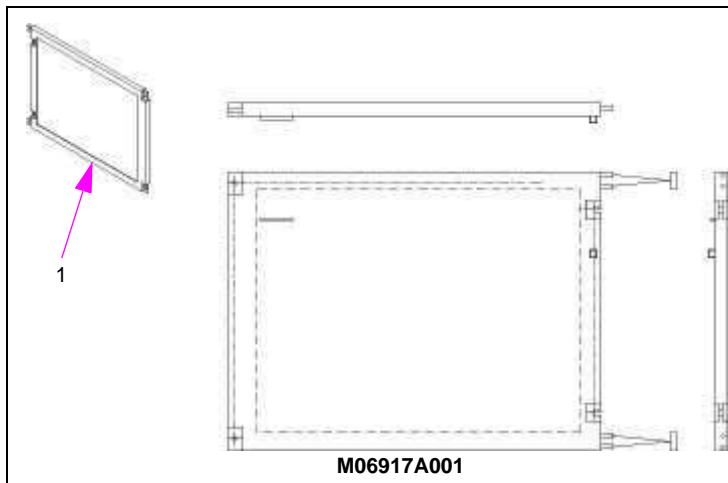
Item #	Part Description	Current Part	Previous Part	Quantity
1	CRIND Monochrome Display Assembly [Reference only (see note 1)]	M01653A001	-	1
2	Monochrome Display [see notes 2, 3, and 4 (Backlight Always ON)]	M02636A001	<i>Note: See previous parts below</i>	1
	Monochrome Display (Interchangeable, Backlight Always ON)	M02636A001	Q13908-06	1
	Monochrome Display (Interchangeable, Backlight Always ON)	M02636A001	Q13908-05	1
	Monochrome Display [Interchangeable, Backlight Always ON (see note 5)]	K96663-02	Q13908-03	(see notes 5 and 6)
	Monochrome Display [Interchangeable, Backlight Always ON (see note 5)]	K96663-02	Q13908-02	(see notes 5 and 6)
	Monochrome Display (Backlight Ambient Sensitive, OFF in Day Light, ON at Night)	M02636A001	Q13908-01	(see note 6)
3	Gasket, Touchscreen	R20682-01	-	1
4	Monochrome Display Lens (see note 7)	M01255B001	-	1
5	Gasket, Display Lens (see note 7)	M01360B001	-	1
6	Cover, Monochrome (Reference only)	M01649B001	-	1
Not Shown				
-	Monochrome Single Side Heater Kit (for more information, refer to <i>MDE-4177 Monochrome Display Heater Retrofit Kits M03063K00X Installation Manual</i>)	M03063K001	-	1
-	Monochrome Dual Side Heater Kit (for more information, refer to <i>MDE-4177 Monochrome Display Heater Retrofit Kits M03063K00X Installation Manual</i>)	M03063K002	-	1
Notes: 1. Monochrome Mounting Bracket (M01648A001), nuts, spacers, along with item # 2 - monochrome display and item # 5 - gasket display lens are a part of item # 1 - monochrome display assembly. 2. Do not remove plastic piece off monochrome display. This piece is used for rain shield "see attached sticker ON display for warning". 3. Monochrome Display (M02636A001) is currently in production. This display replaces all. Note: Backlight is "Always ON". 4. The jumper for video source on Encore 500 is in position "A" and for The Advantage and Encore 300 it is in position "B". 5. K96663-02 contains Monochrome Display (M02636A001) and brackets. 6. Monochrome Displays Q13908-03, Q13908-02, and Q13908-01 are no longer available. 7. When replacing item # 4 - monochrome display lens always use item # 5 - gasket display lens.				

CRIND Color Display Assembly



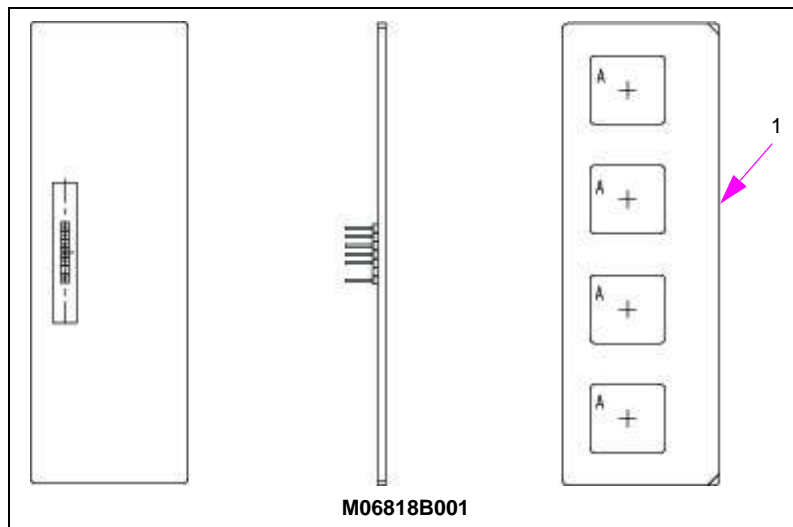
Item #	Part Description	Current Part	Previous Part	Quantity
1	Color Display Bracket 10.4"	M06841A001	-	1
2	Cover Inverter Color Display	M06955B002	M06955B001	1
3	PCA, LVDS	M06605A001	-	1

Display Color LCD 10.4-inch Monitor



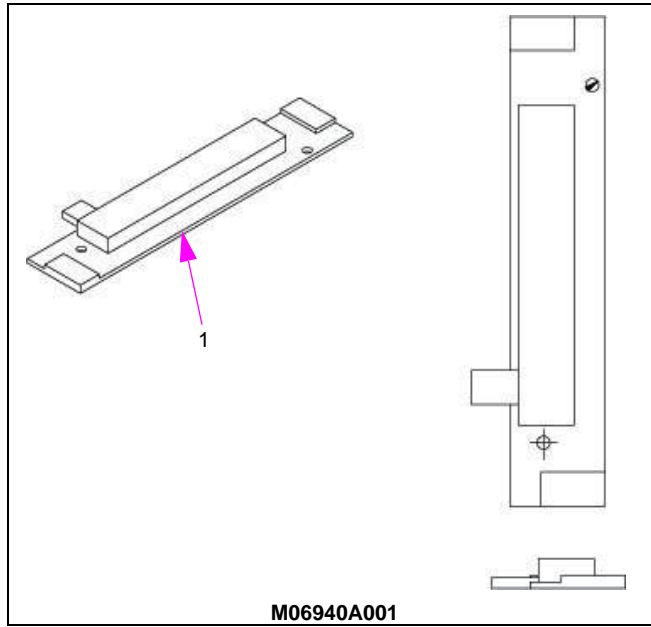
Item #	Part Description	Current Part	Previous Part	Quantity
1	Display Color LCD 10.4" Monitor	M06917A001	-	1
<i>Note: For spares, you must order M07331A001 Assembly.</i>				

Keypad Softkey Color 10.4-inch



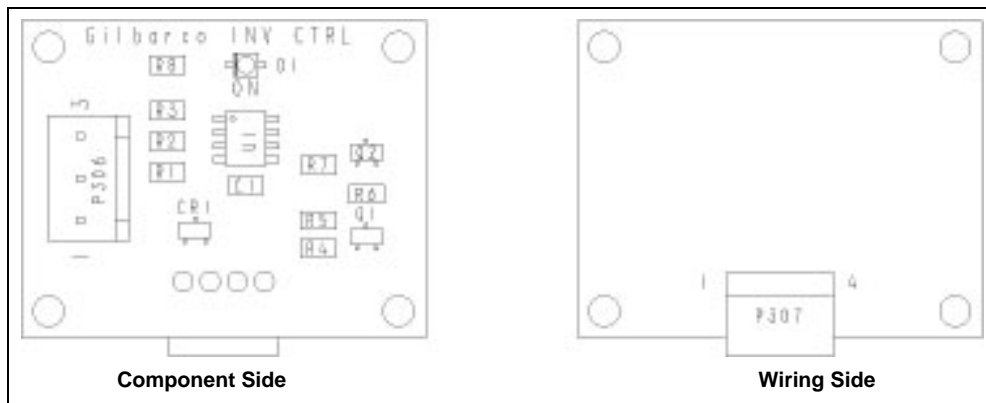
Item #	Part Description	Current Part	Previous Part	Quantity
1	Keypad Softkey Color 10.4"	M06818B001	-	1

Inverter DC to AC Module



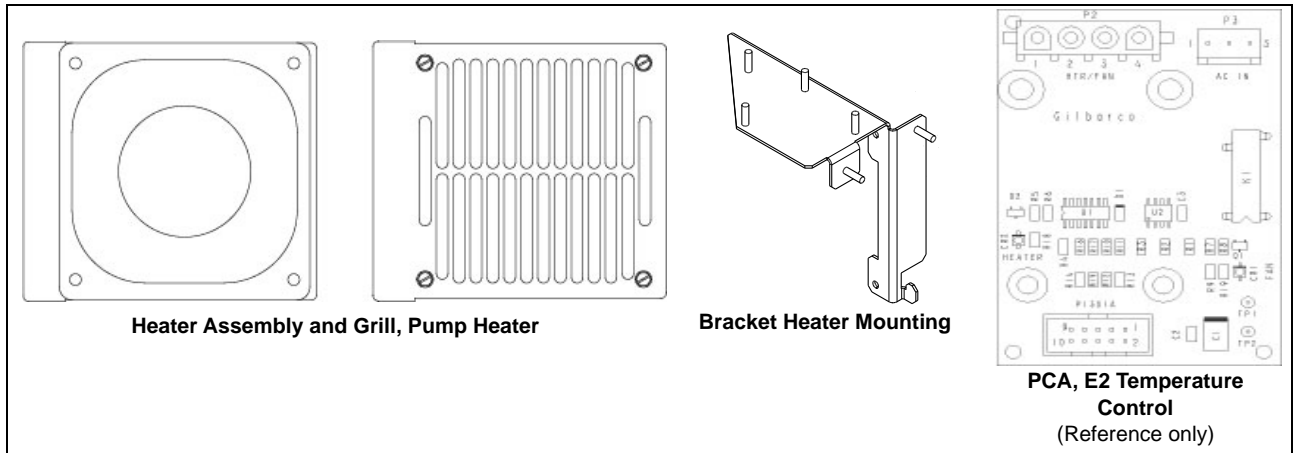
Item #	Part Description	Current Part	Previous Part	Quantity
1	Inverter DC to AC Module	M06940A001	-	1

E2 Display Control PCA



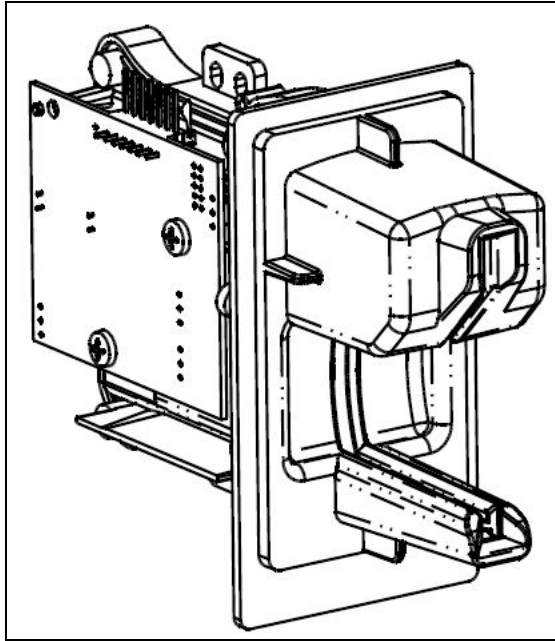
Item #	Part Description	Current Part	Previous Part	Quantity
1	E2 Display Control PCA	M06838A001	-	1

Heater/Fan Assembly



Item #	Part Description	Current Part	Previous Part	Quantity
	Kit, Heater/Fan (see note)	M07333K001	-	1
1	Assembly, Heater/Fan 100-120V	M07333A001	-	1
2	• Bracket Assembly	M07355A002	-	1
Not Shown				
-	• Cable, Heater Control	M10900A001	-	1
-	• Cable, Reg/Logic J201/J501	R17995-G8	-	1
-	• Nut, Metric Flange	M00414B005	-	2
<p><i>Note: For more information, refer to MDE- 4609 Heater/Fan Kit (M07333K00X) Installation Guide for Encore 300/The Advantage Series [with FlexPay EMV (Canada Only)] and Encore S/ Encore 500 Units Manual.</i></p>				

Dual-head Card Reader



Item #	Part Description	Current Part	Previous Part	Quantity
	Card Reader, Dual-head [Reference only (see notes 1, 2, and 3)]	M13968K001	M02136K001 Q11489-06	1
Not Shown				
1	Vertical Card Reader, Gasket (see note 1), (obsolete, see note 4)	-	N23505-02	1
2	Card Reader, Bracket (see note 1)	M07574B001	M01180B003	1
3	Card Reader, Gasket [Encore (see notes 1 and 5)]	M13127B006	M00682B001	1
4	Cable, Electrostatic Discharge (ESD) Ground (see note 1)	(see note 6)	-	1
5	Cleaning Card [Card Reader (see notes 7 and 8)]	Q11482	-	1
6	Bracket, Card Reader Mounting	T19362-02	-	1
7	Cable, ESD Ground Card	M02134A002	-	1
		M02134A001	-	1
8	Card Reader, Gasket	M00282B001	-	1
<p>Notes:</p> <ol style="list-style-type: none"> Dual-head Card Reader Kit (M02139K001) include items 1 through 4. Single-head card reader was discontinued in production in January 2002. Use the M02139K001 Kit to replace old CRIND Card Reader (Q11489-06). For more information, refer to MDE-4080 Dual Head Card Reader Kit M02139K00X Installation Instructions. Dual-head Card Reader Kit (M02139K001) is now obsolete and replaced by M13968K002. Contact a Gilbarco representative before ordering parts. For spares, you must order M02136K001. Card Reader Kit (M02136K001) is now obsolete and replaced by M13968K001. Contact a Gilbarco representative before ordering parts. No replacement. Card Reader Gasket (M13127B006) is not sold individually. It is sold as part of K96626-01 Kit. For more information, refer to "Cable Assemblies (Encore 500/550/S/Ultra-Hi)" on page 6-1. For ordering information, refer to PT-1798 Consumables Parts List. Cleaning Card (Q11482) is not sold individually. It is sold as part of Q11482-01. 				