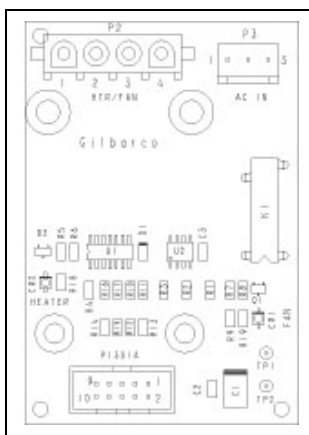


4 – DEF Dispenser Cabinet Electronics

E2 Temperature Control PCA

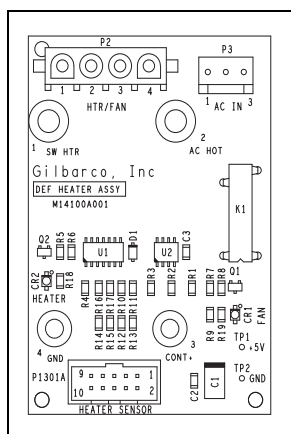


Item #	Description	Current Part	Previous Part	Quantity
1	E2 Temperature Control PCA (Green) (see notes 1 and 2)	M06783A001	-	1

Notes:

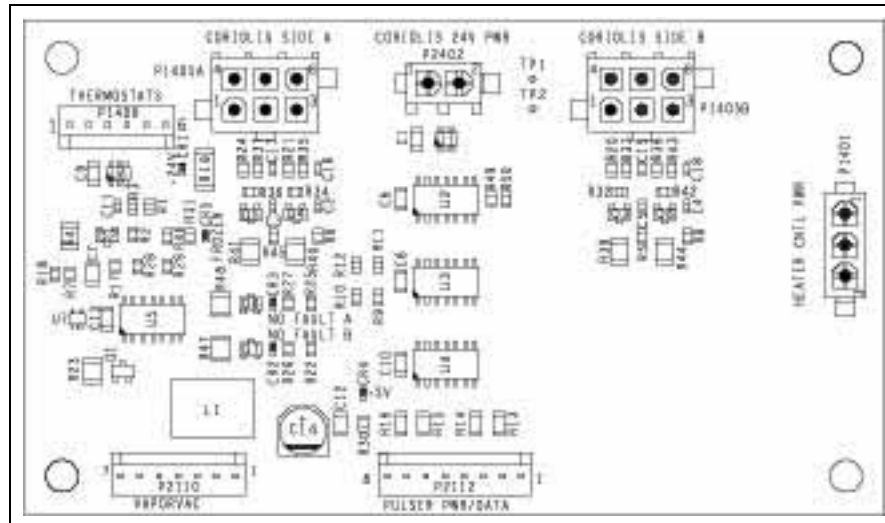
1. Part is used in Computer Display Module (CDM) location. One green color board only.
2. M06783A001 was replaced by M14100A001 Board.

DEF Temperature Control PCA



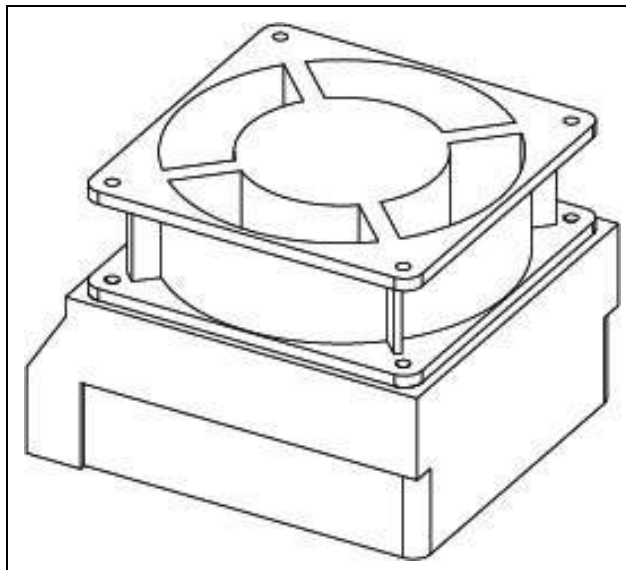
Item #	Description	Current Part	Previous Part	Quantity
1	DEF Temperature Control PCA (Red)	M14100A001	-	1

Interface PCA - DEF Dispenser



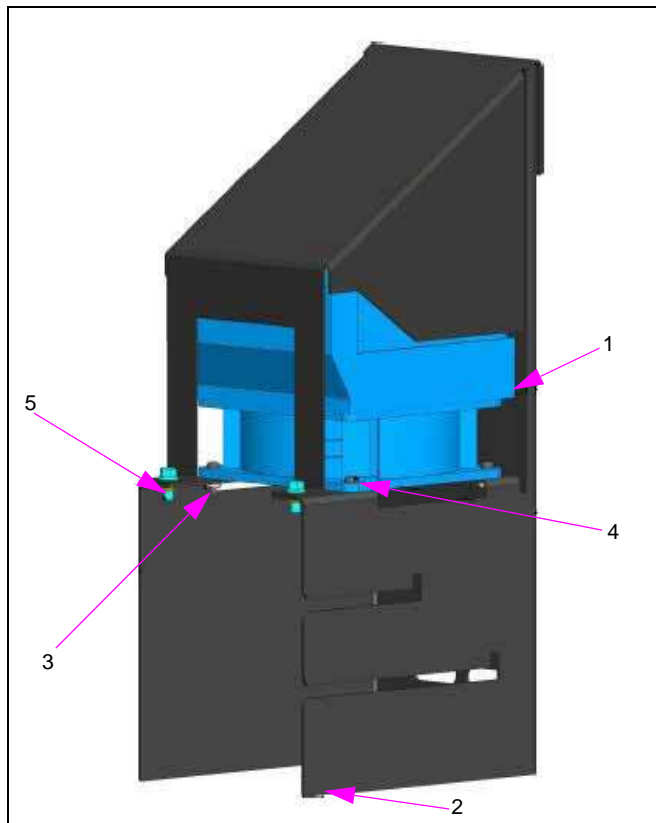
Item #	Part Description	Current Part	Previous Part	Quantity
1	PCA, Coriolis Interface	M10030A001	-	1

Heater/Fan Assembly



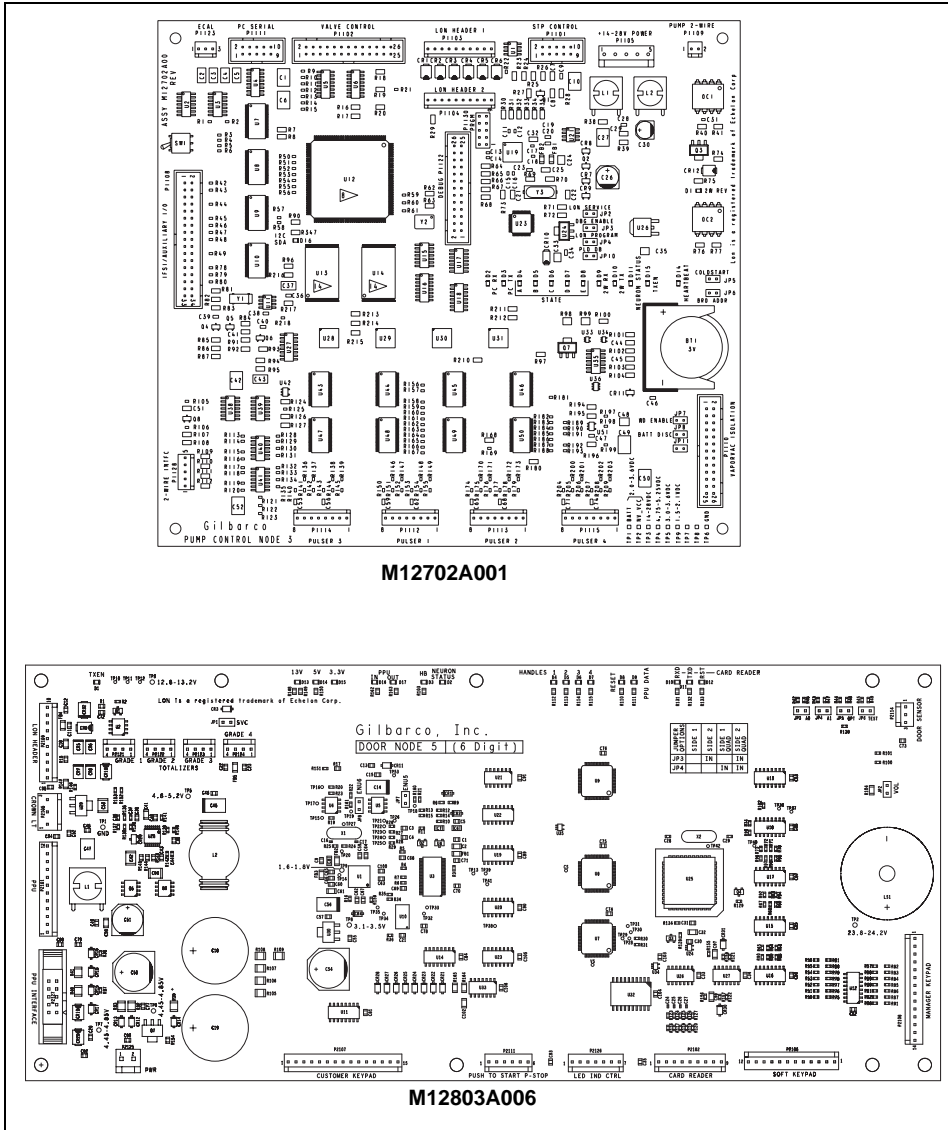
Item #	Description	Current Part	Previous Part	Quantity
1	Heater/Fan Assembly (100-120 V)	Q13254-03	-	1

Heater and Bracket Assembly



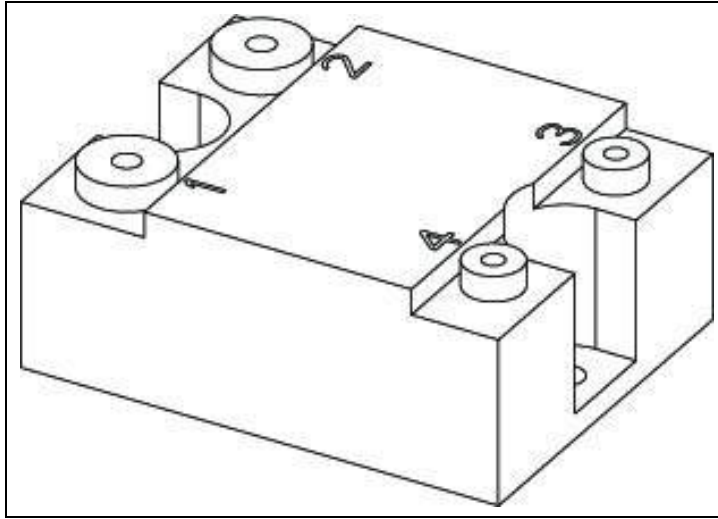
Item #	Description	Current Part	Previous Part	Quantity
1	Heater/Fan Assembly	Q13254-03	-	1
2	Heater and Bracket Assembly, Encore DEF	M14713A001	M14249A001	1
3	Nut, Hex with External Lockwasher 6-32 Thread	Q12068-02	-	4
4	Screw, SEMS PPHD Ext 6-32 X.50	Q12083-15	-	4
5	Screw, TF, Hex Washer HD M5 X 10	M00417B101	-	4

PCBs (Encore 300/500/500 S/550)



Item #	Description	Current Part	Previous Part	Quantity
1	PCA, SP III PCN 3 (see notes 1, 2, and 3)	M12702A001	M01922A003 M01922A001	1
2	PCA, SP III Door Node 5, 6-digit CR with SP II PPU (see notes 1 and 4)	M12803A006	M12803A002 M05835A004 M12803A003	2
Not Shown				
-	PCA, Call Button Interface (see note 3)	M11704K001	M04528A002	1 (per Pump Handle)
Notes: 1. Available for Encore 500/500 S/550 units. 2. M01922A003 sold to Mexico only. 3. Available for Encore 300 units only. M11704K001 Kit contains PCA, pump handle interface and combo neutral cable. 4. M12803A003 PCA, SP III Door Node 5, 6-digit is now replaced with M12803A006 PCA, SP III Door Node 5, 6-digit. For more information, refer to "Door Module Electronics (Encore 500/S)" on page 5-1.				

Relay



Item #	Description	Current Part	Previous Part	Quantity
1	Relay, 24-280 VAC, 25 A	Q11008-02	-	1