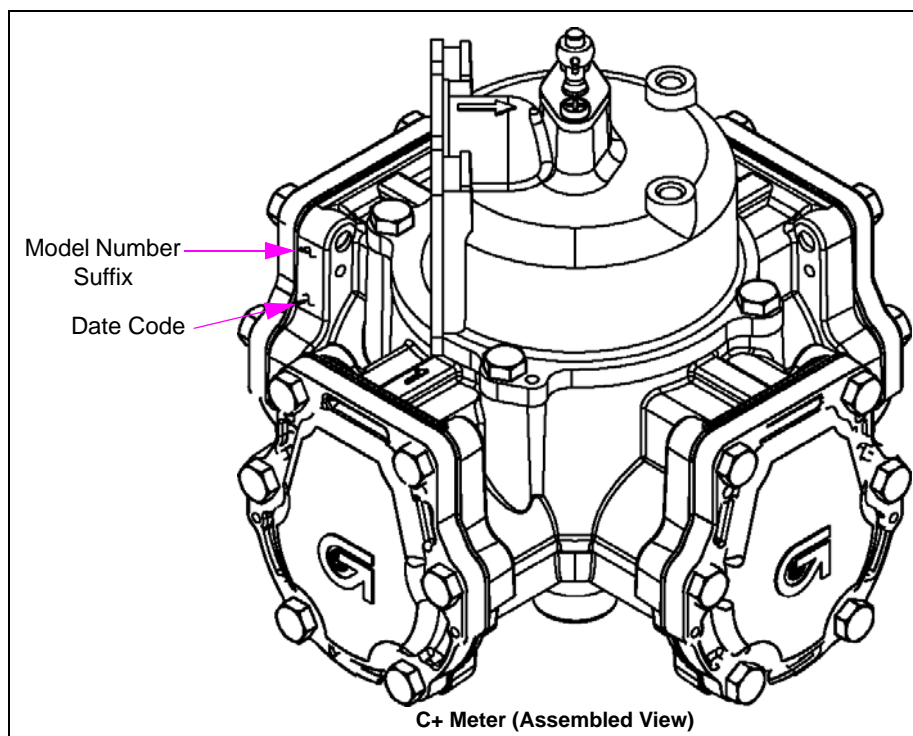


10 – Meters

C+ Meter Assembly

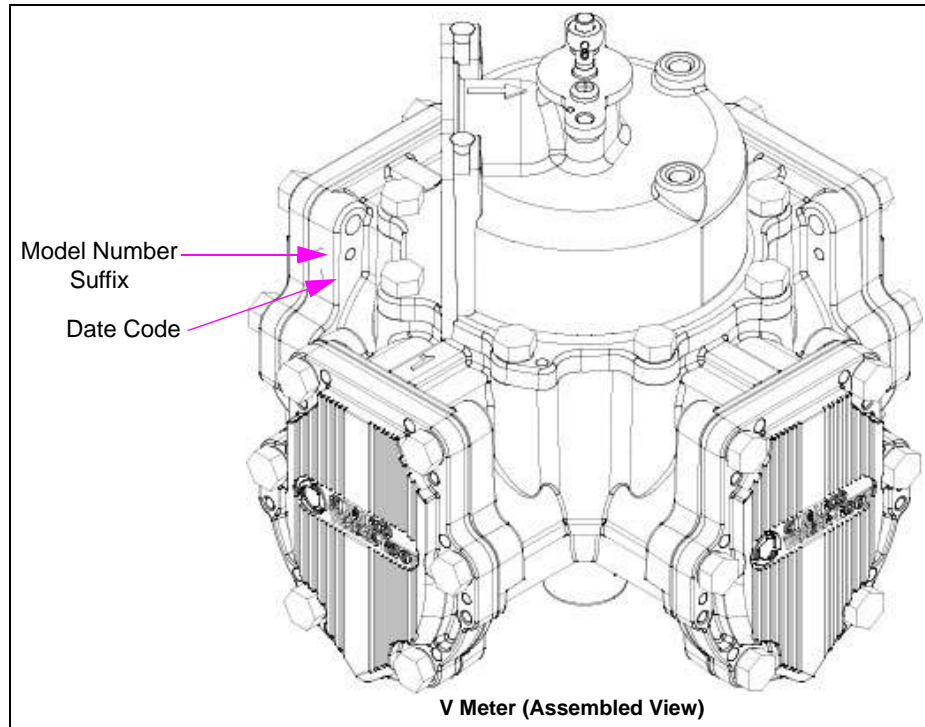


| Item # | Description | Current Part | Previous Part | Quantity |
|--------|--|--------------|---------------|--------------|
| 1 | C+ Meter Assembly (Spare Parts Item) | T19976-G3S | - | (see note 1) |
| | • C+ Meter Master Seal Service Kit Installation (Reference only) | K96618 | - | (see note 2) |
| | • Meter Quad Ring Top Seal Replacement Kit (Reference only) | K35222 | - | (see note 3) |
| | • Meter Quad Seal Field Kit (Cold temperature version) | K35222-01 | - | (see note 3) |
| | • C+ Plated Meter Assembly [Flexible Fuels (Spare Parts Item)] | T19976-G5S | - | (see note 1) |
| | • C+ Seal Kit (Flexible Fuels) | M08182K001 | - | (see note 2) |

Notes:

- C+ Meter is ordered only as an assembly.
- MDE-3892 Meter Master Seal Service Kits (K96618 and M08182K001) Installation Instructions provide information on how to install Meter Master Seal Service Kit (K96618). Kit provides materials and instructions for complete change-out of all seals as a major rebuild.
- MDE-2188 C and C+ Meter Quad Ring Top Seal Replacement Kits K35222 and K35222-01 provides information on how to install K35222 and K35222-01 Kit. Kit contains sufficient top seals to service 10 meters.

V Meter Assembly

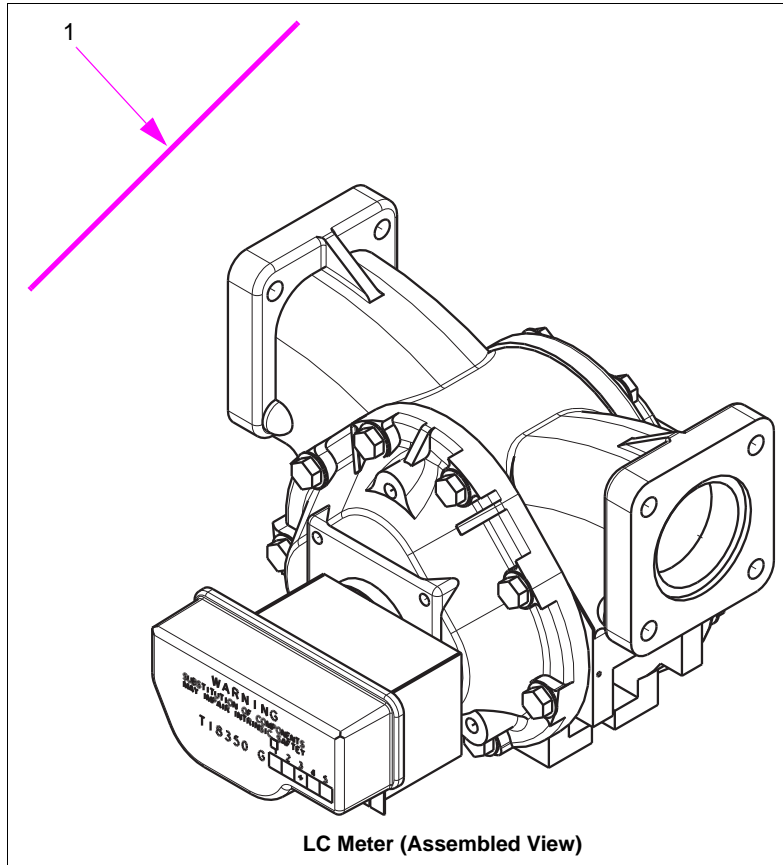


| Item # | Description | Current Part | Previous Part | Quantity |
|--------|---|--------------|---------------|--------------|
| 1 | V Meter Assembly | T19976-V10S | - | (see note 1) |
| | • V Meter Master Seal Service Kit Installation (Reference only) | K96618 | - | (see note 2) |
| | • Meter Quad Ring Top Seal Replacement Kit (Reference only) | K35222 | - | (see note 3) |
| | • Meter Quad Seal Field Kit (Cold temperature version) | K35222-01 | - | (see note 3) |
| | • Meter Piston Cup Kit | K96659-01 | - | (see note 4) |

Notes:

1. V Meter is ordered only as an assembly.
2. MDE-3892 Meter Master Seal Service Kits (K96618 and M08182K001) Installation Instructions provide information on how to install Meter Master Seal Service Kit (K96618). Kit provides materials and instructions for complete change-out of all seals as a major rebuild.
3. MDE-2188 C and C+ Meter Quad Ring Top Seal Replacement Kits K35222 and K35222-01 provides information on how to install K35222 and K35222-01 Kit. Kit contains sufficient top seals to service 10 meters.
4. Meter Piston Cup Kit (K96659-01) contains 35 piece formed piston cups (N21252).

LC Meter Assembly

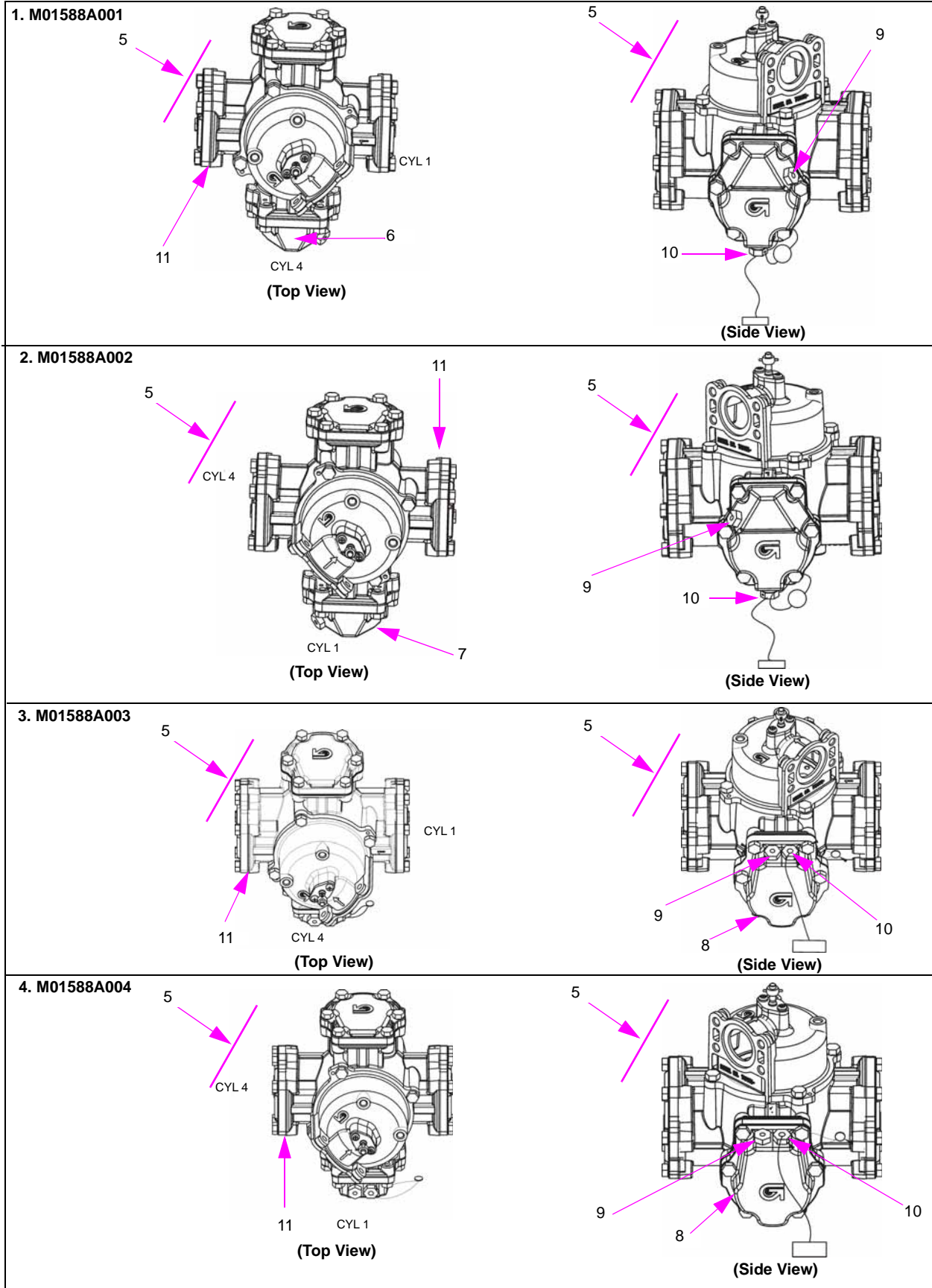


| Item # | Description | Current Part | Previous Part | Quantity |
|--------|---|--------------|-------------------------|---------------------|
| 1 | LC Meter and Pulser Assembly | M03171A002 | T18621-01 | (see notes 1 and 2) |
| - | LC Meter Assembly (Without Pulser) (see note 2) | M03171A002 | M03171A001 T18621-31 | (see note 3) |

Notes:

1. LC Meter and Pulser Assembly is ordered as an assembly only.
2. Ultra-Hi single-side master and combo has quantity of one per unit. Ultra-Hi dual-side master has quantity of two per unit.
3. Gilbarco does not buy a meter without a pulser.

C+ Meter Assembly with ATC



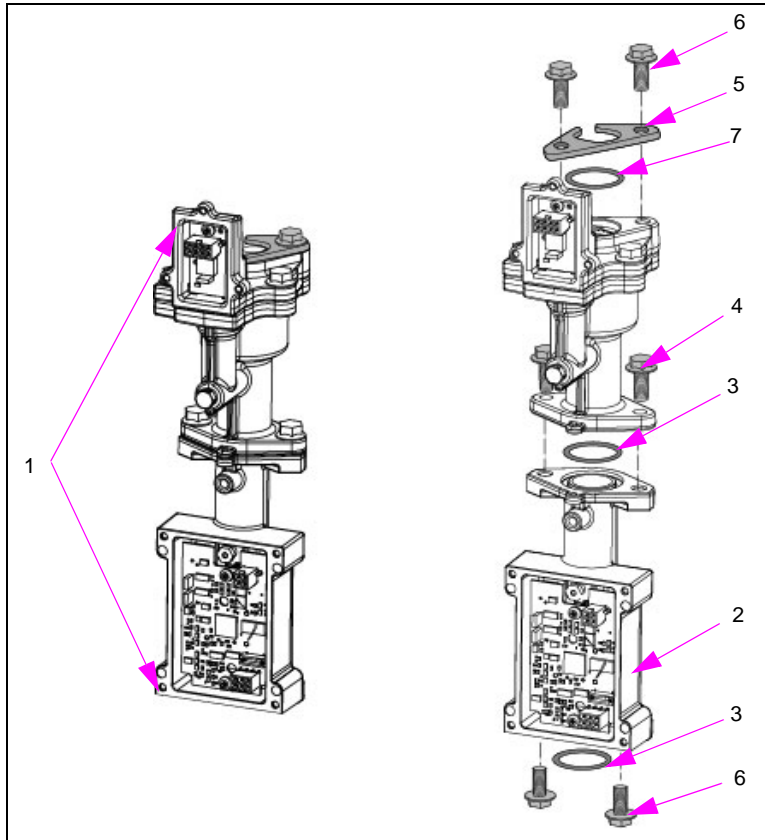
| Item # | Description | Current Part | Previous Part | Quantity |
|--------|--|--------------|---------------|--------------|
| 1 | C+ Meter Assembly with ATC (Right Hand) | M01588A001 | - | (see note 1) |
| 2 | C+ Meter Assembly with ATC (Left Hand) | M01588A002 | - | (see note 1) |
| 3 | C+ Meter Assembly with ATC (Right Hand) | M01588A003 | - | (see note 1) |
| 4 | C+ Meter Assembly with ATC (Left Hand) | M01588A004 | - | (see note 1) |
| 5 | • C+ Meter Assembly | T19976-G3S | - | 1 |
| 6 | • ATC Cylinder Cover, Left Hand (Used on Item 1 Meter M01588A002) | T20696-21 | - | 1 |
| 7 | • ATC Cylinder Cover, Right Hand (Used on Item 2 Meter M01588A001) | T20696-20 | - | 1 |
| 8 | • ATC Cylinder Cover (Used on Item 3 Meter M01588A003 and Item 4 Meter M01588A004) | T19287-11 | - | 1 |
| 9 | • Thermal Test Well | Q13130-01 | | 1 |
| 10 | • Resistance Temperature Detector (RTD) Probe Assembly | Q13131-02 | - | 1 |
| 11 | • Cylinder Cover Gasket (see note 2) | K93418 | - | 1 |

Notes:

1. C+ meter is ordered as an assembly only.
2. Must purchase K35359 which includes O-rings.

SMART Meter

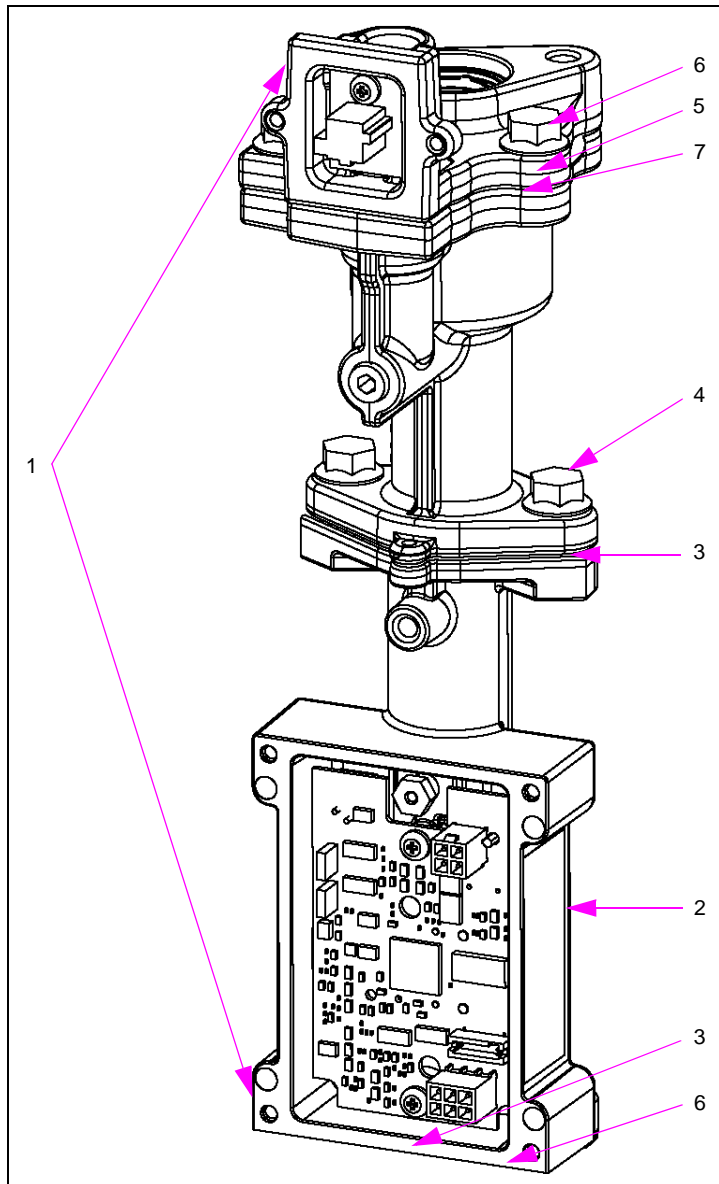
Gasoline SMART Meter with Flow Switch



| Item # | Description | Current Part | Previous Part | Quantity |
|--------|---|--------------|---------------|----------|
| | SMART Meter with Switch Assembly (obsolete, see note) | - | M03529A001 | 1 |
| 1 | SMART Meter Assembly - Gasoline (obsolete, see note) | - | M02950A001 | 1 |
| 2 | Flow Switch Assembly without Cover | M03310A001 | - | 1 |
| 3 | • O-ring | - | - | 2 |
| 4 | • Screw, M8 X 20 | - | - | 2 |
| 5 | Parflange Clamp 7/8", Tubing Wide | M00445B001 | - | 1 |
| 6 | • Bolt, M8 X 16 | - | - | 2 |
| 7 | • O-ring | - | - | 1 |

Note: No replacement. For information on the Ecometer Kit (M09285K002), refer to [Ecometer Assembly](#) on page 10-10.

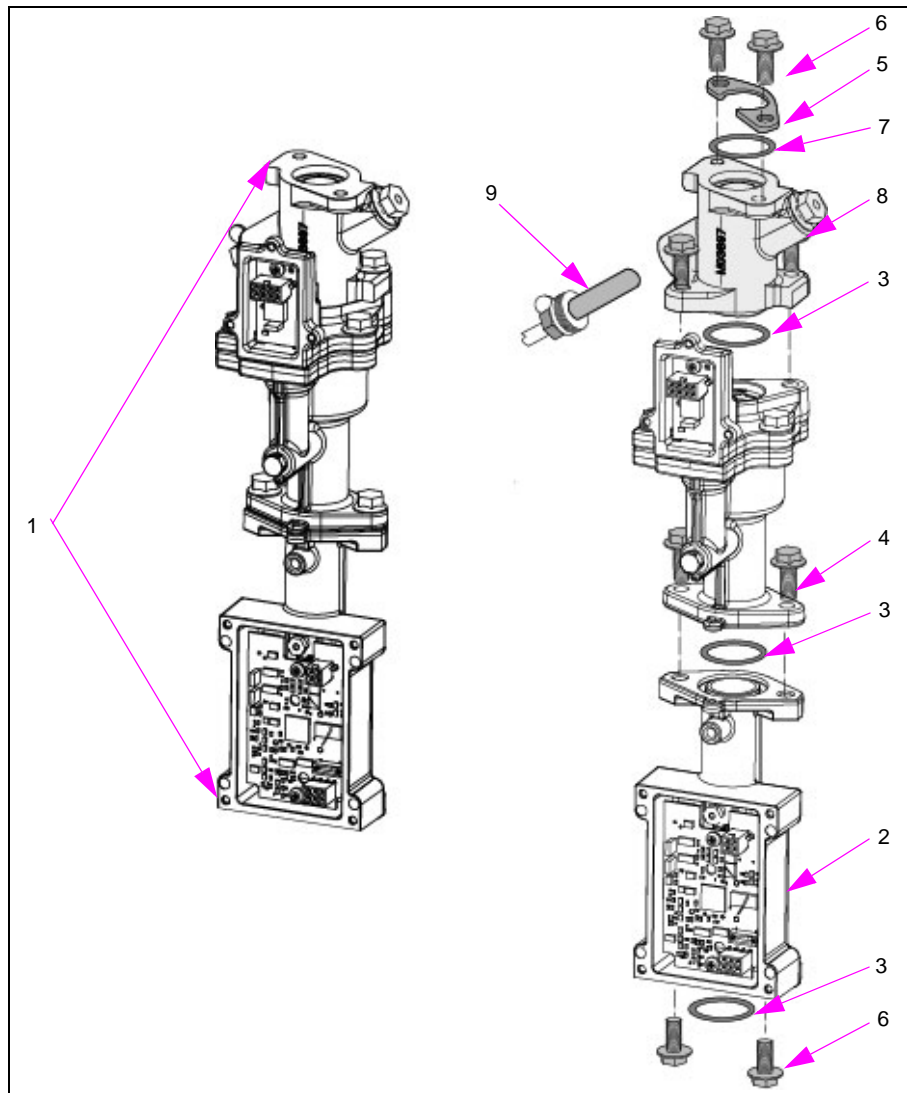
Diesel SMART Meter with Flow Switch



| Item # | Description | Current Part | Previous Part | Quantity |
|---|--|--------------|---------------|----------|
| Smart Meter with Switch Assembly (obsolete, see note) | | - | M03529A001 | 1 |
| 1 | SMART Meter Assembly - Diesel (obsolete, see note) | - | M02950A002 | 1 |
| 2 | Flow Switch Assembly Without Cover | M03310A001 | - | 1 |
| 3 | • O-ring | - | - | 2 |
| 4 | • Screw, M8 X 20 | - | - | 2 |
| 5 | Parflange Clamp, 7/8", Tubing Wide | M00445B001 | - | 1 |
| 6 | • Bolt, M8 X 16 | - | - | 2 |
| 7 | • O-ring | - | - | 1 |

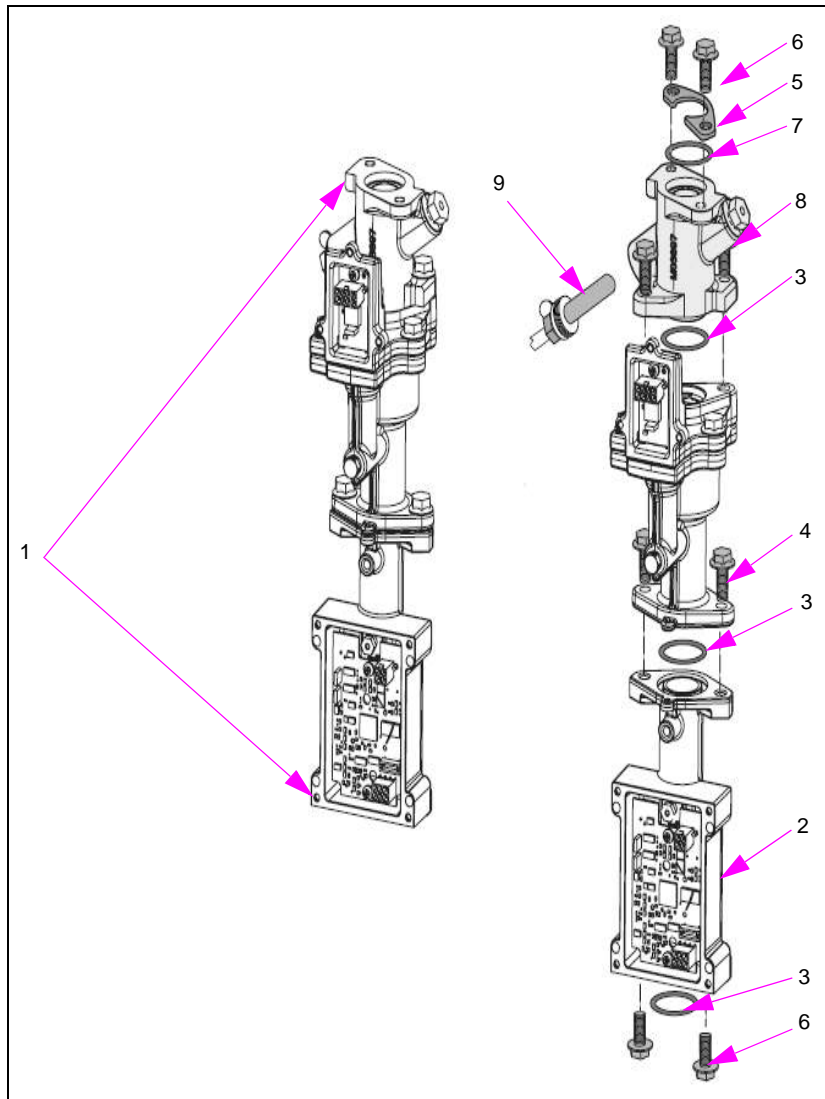
Note: No replacement.

Gasoline SMART Meter with Flow Switch and ATC Option



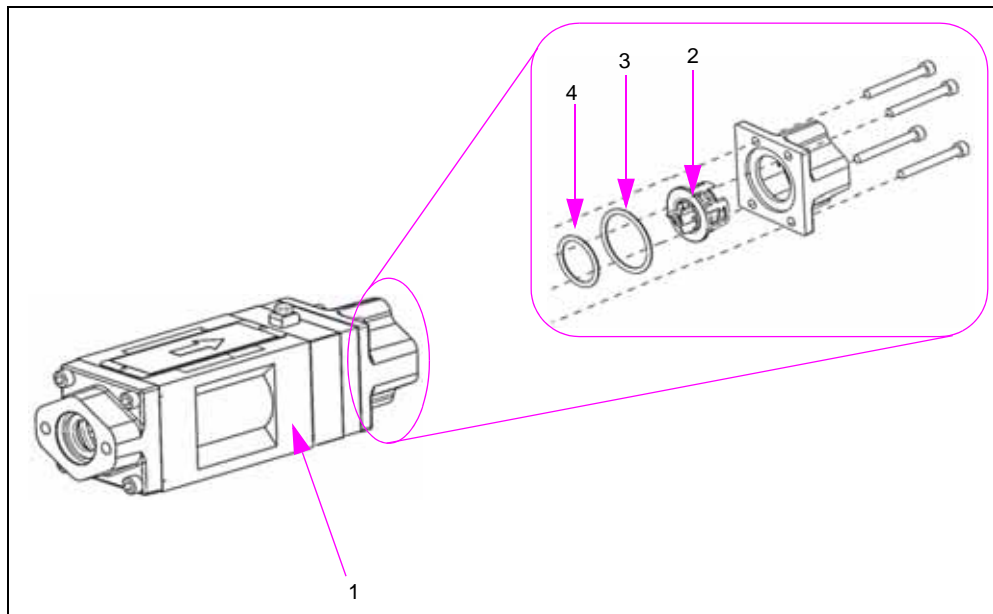
| Item # | Description | Current Part | Previous Part | Quantity |
|------------------------------|---|--------------|--------------------------|----------|
| | Smart Meter with Switch Assembly (obsolete, see note) | - | M03529A011 M03529A012 | 1 |
| 1 | SMART Meter Assembly - Gasoline (obsolete, see note) | - | M02950A001 | 1 |
| 2 | Flow Switch Assembly Without Cover | M03310A001 | - | 1 |
| 3 | • O-ring | - | - | 3 |
| 4 | • Screw, M8 X 20 | - | - | 2 |
| 5 | Parflange Clamp, 7/8", Tubing Wide | M00445B001 | - | 1 |
| 6 | • Bolt, M8 X 16 | - | - | 2 |
| 7 | • O-ring | - | - | 1 |
| 8 | ATC Probe Assembly | M04190A001 | - | 1 |
| 9 | RTD Probe Assembly | Q13131-01 | - | 1 |
| <i>Note: No replacement.</i> | | | | |

Diesel SMART Meter with Flow Switch and ATC Option



| Item # | Description | Current Part | Previous Part | Quantity |
|------------------------------|---|--------------|--------------------------|----------|
| | Smart Meter with Switch Assembly (see note) | - | M03529A011 M03529A012 | 1 |
| 1 | SMART Meter Assembly - Diesel (see note) | - | M02950A002 | 1 |
| 2 | Flow Switch Assembly Without Cover | M03310A001 | - | 1 |
| 3 | • O-ring | - | - | 3 |
| 4 | • Screw, M8 X 20 | - | - | 2 |
| 5 | Parflange Clamp, 7/8", Tubing Wide | M00445B001 | - | 1 |
| 6 | • Bolt, M8 X 16 | - | - | 2 |
| 7 | • O-ring | - | - | 1 |
| 8 | ATC Probe Assembly | M04190A001 | - | 1 |
| 9 | RTD Probe Assembly | Q13131-01 | - | 1 |
| <i>Note: No replacement.</i> | | | | |

Ecometer Assembly

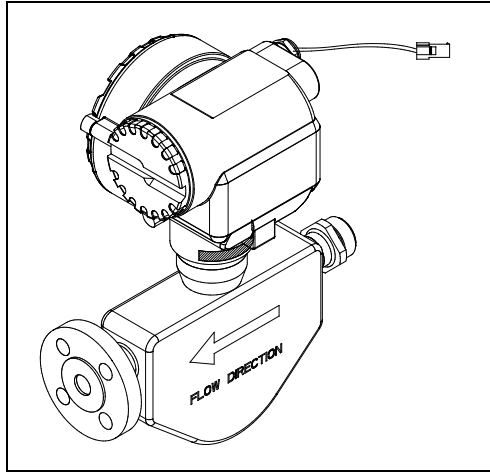


| Item # | Description | Current Part | Previous Part | Quantity |
|---|---------------------------------------|--------------|-------------------------------------|----------|
| 1 | Ecometer Assembly (see notes 1 and 2) | M09285K002 | M09285K001 M07300A001 | 1 |
| 2 | Meter Check Valve Assembly | M13257A001 | N23619-G4 N23619-G2 N23619-G1 | 1 |
| 3 | O-ring, 1.609 X 0.139 | N16891-33 | - | 1 |
| 4 | O-ring, 1.234 X 0.139 | N16891-41 | - | 1 |
| Not Shown | | | | |
| - | O-ring, 0.862 X 1.068 | Q12974-118 | - | 2 |
| Notes: 1. Ecometer Assembly (M07300A001) is not available as a individual part but sold as part of Ecometer Field Spare Kit (M09285K002). Use M14370K002 as the substitute part number. 2. Ecometer Field Spare Kit (M09285K002) includes Ecometer Assembly, M07300A005S, Gaskets Q12974-118, Screws M00415B110 and Parflange Clamp N23908-01. | | | | |

Ecometer Kit Option (Encore 500/500 S)

| Item # | Description | Current Part | Previous Part | Quantity |
|--------|--------------|--------------|---------------|----------|
| 1 | Ecometer Kit | M09285K002 | M09285K001 | 1 |

Coriolis Meter



| Item # | Description | Current Part | Previous Part | Quantity |
|--------|----------------|--------------|---------------|----------|
| 1 | Coriolis Meter | M10006A003 | - | 1 |