

5 – Cable Assemblies Section

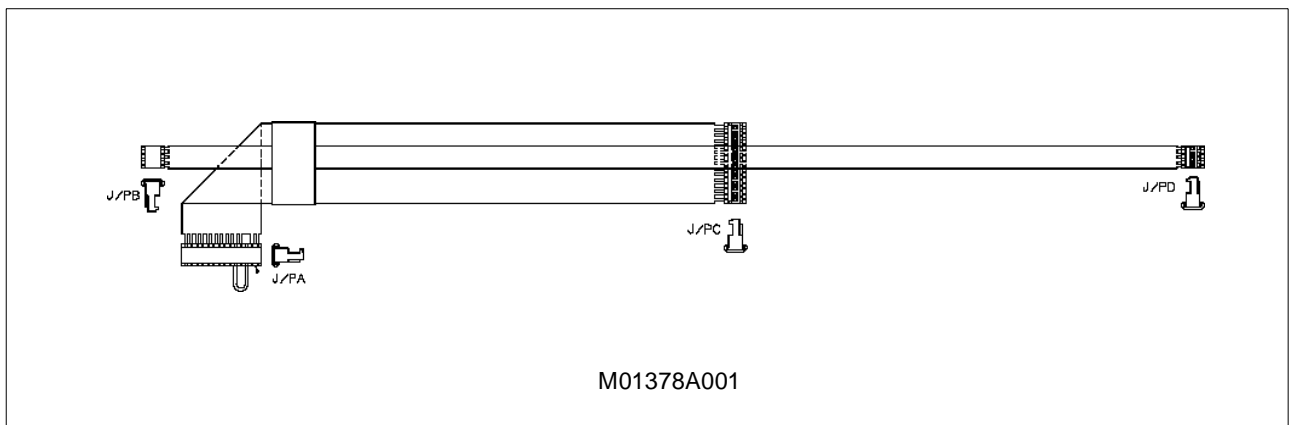
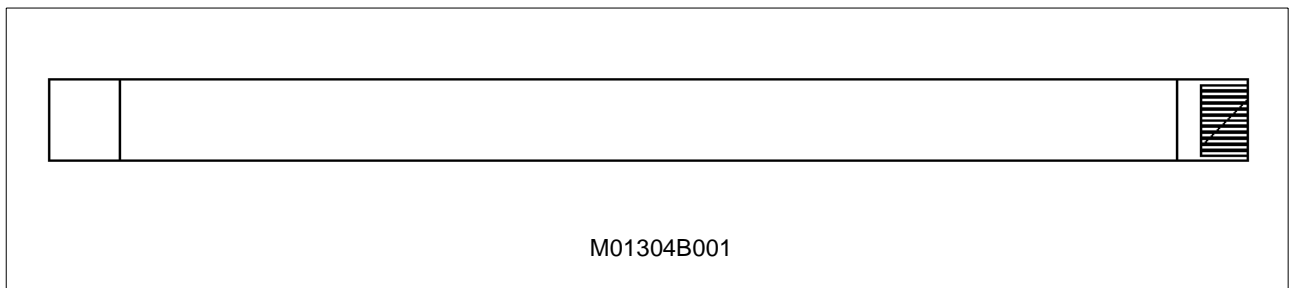


Note: See MDE-3804 Encore & Eclipse Series Start-Up/Service Manual for cable block diagrams.

Barcode Scanner Option

Cable Description	Current Part	Previous Part
LON Bus (Refer to LON Bus cable section)	-	-
Barcode Scanner cable	M01304B001	-
Scanner assembly cable	M01378A001	-

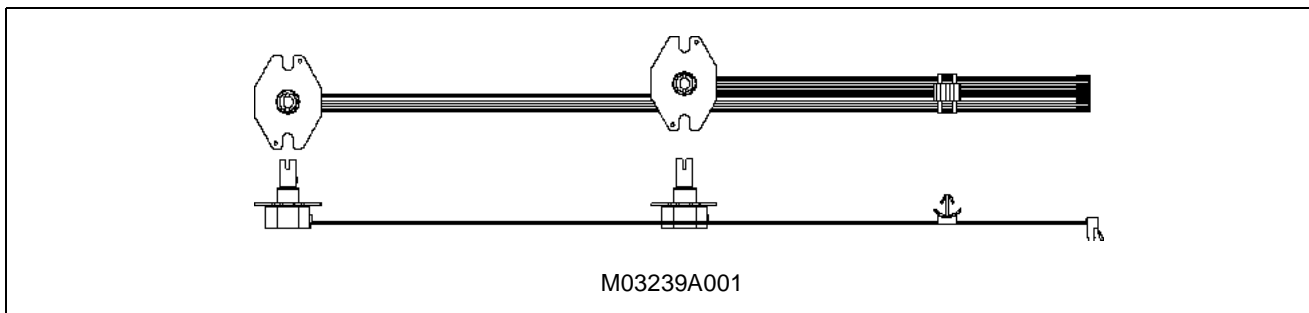
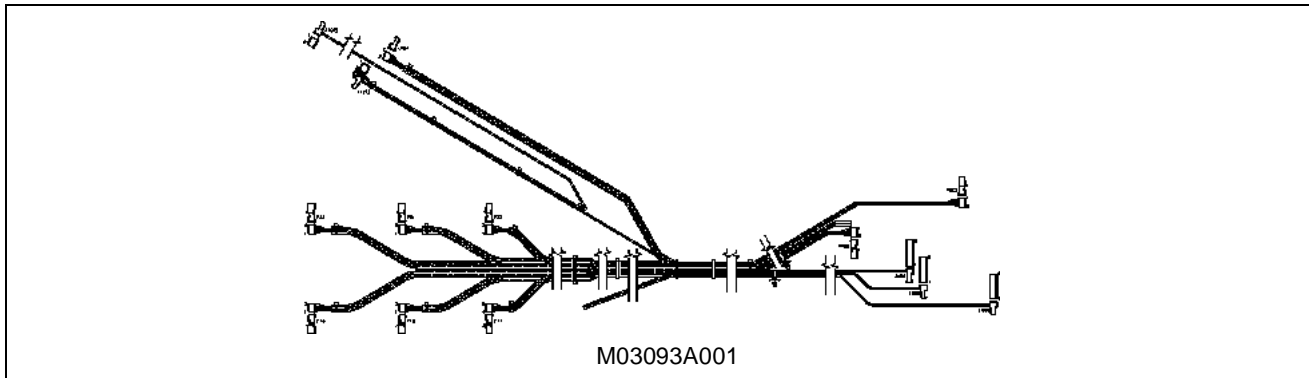
Barcode Scanner Cable Illustrations

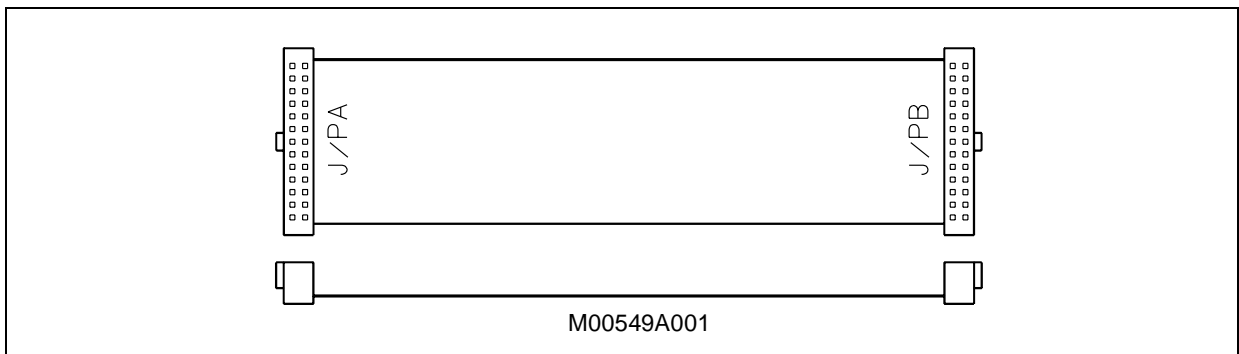
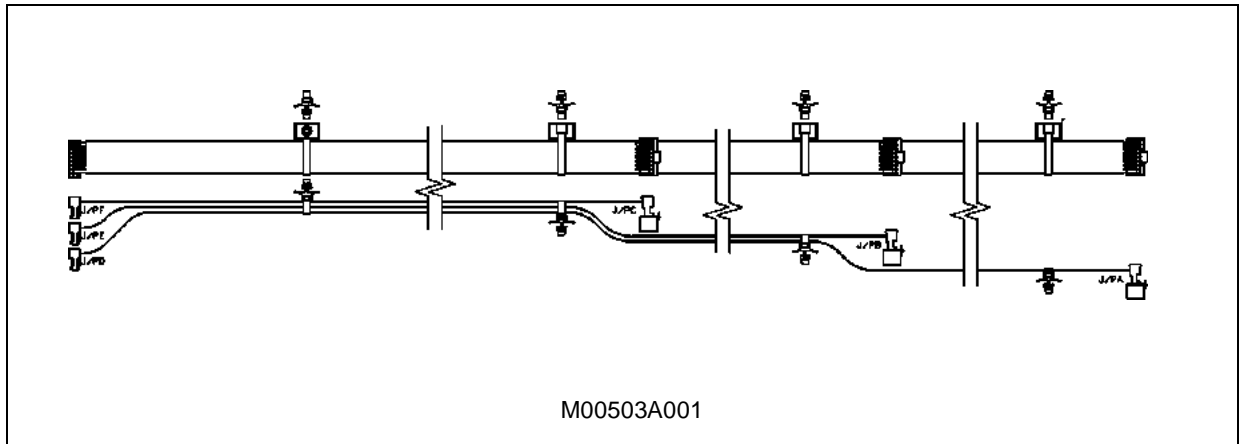
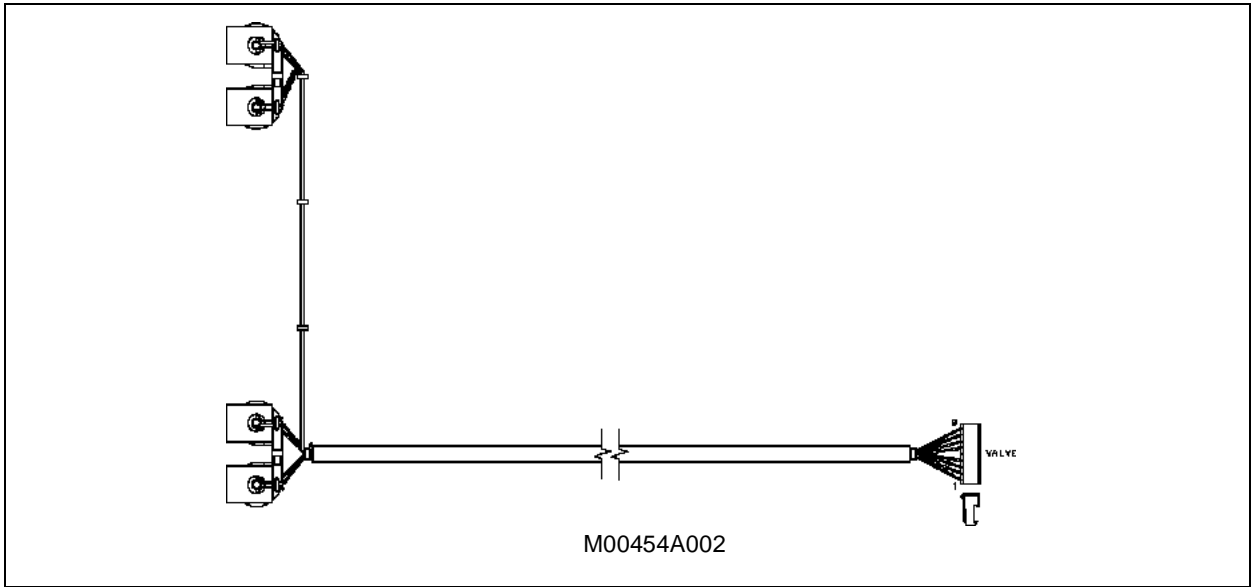


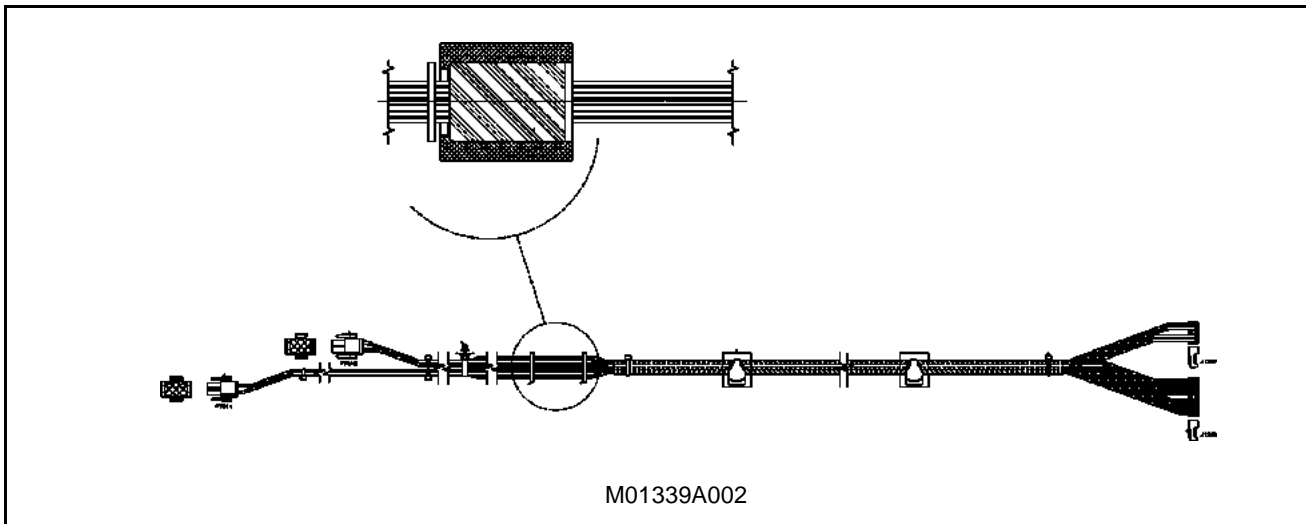
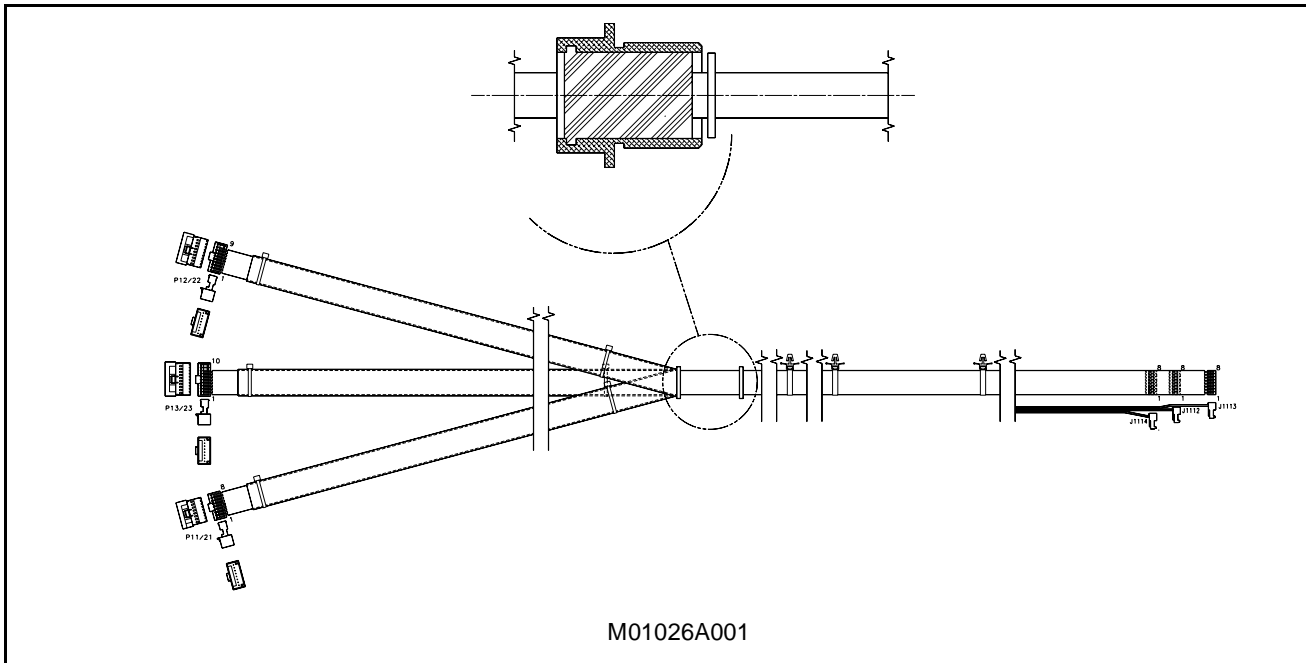
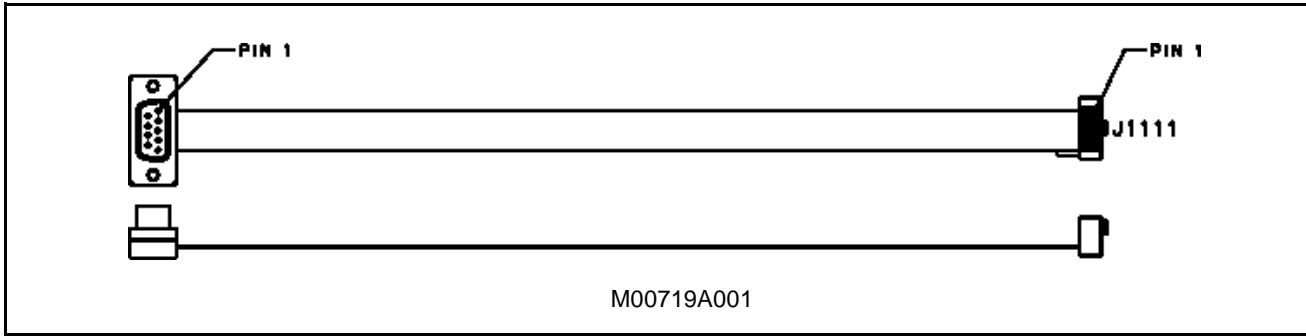
Base Electronics

Cable Description	Current Part	Previous Part
E-Cal Switch cable (Refer to CD Module section for current part number).	-	-
Conduit and Cable Valves assembly	M03093A001	-
Pulser and cable assembly (Use after 6/1/03)	M03239B001	M00453A001
LON Bus cable (Refer to LON Bus cable section)	-	-
Digital Valve coil and cable assembly	M00454A002	-
.100 Inch Centers, 8 Position, 22 AWG Ribbon cable	M00503A001	-
.050 Inch Centers, 26 Position, 28 AWG Ribbon cable	M00549A001	-
Serial Programming Port cable	M00719A001	-
Conduit and cable assembly	M01026A001	-
6-Hose Conduit and cable assembly	M01339A002	M01339A001

Base Electronic Cable Illustrations



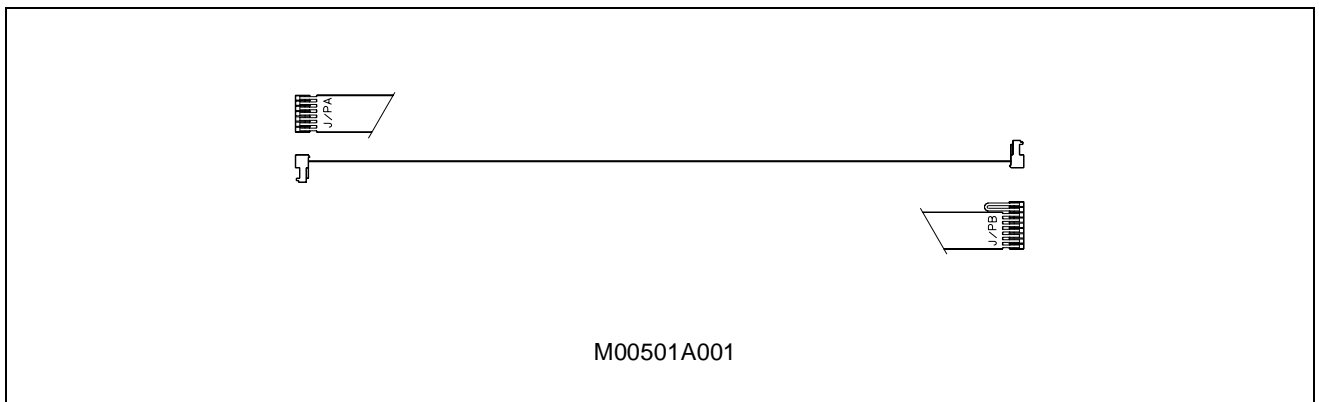
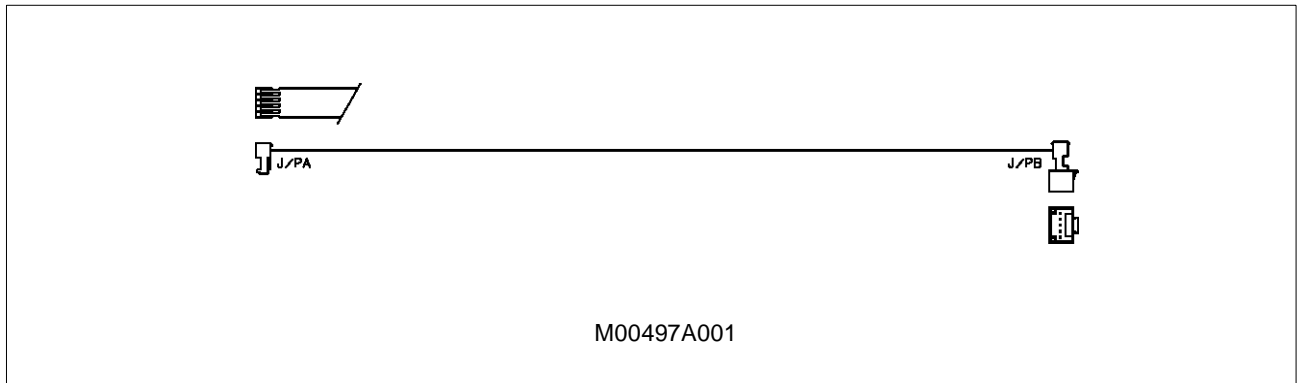


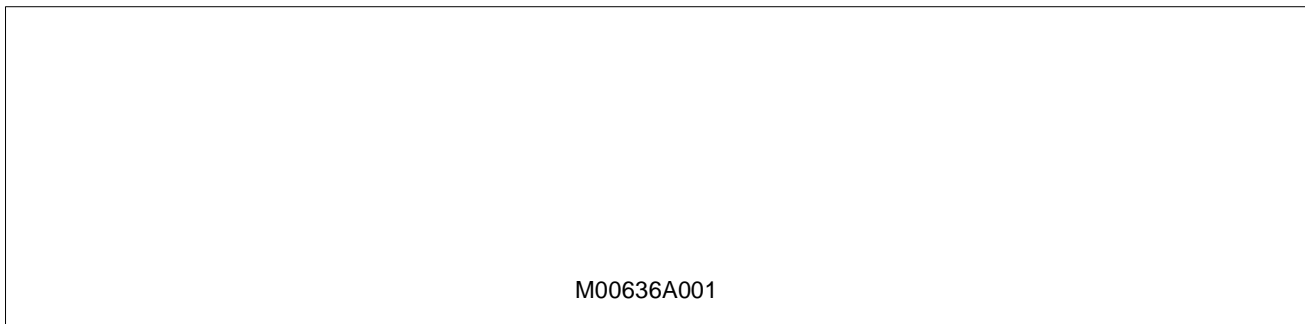
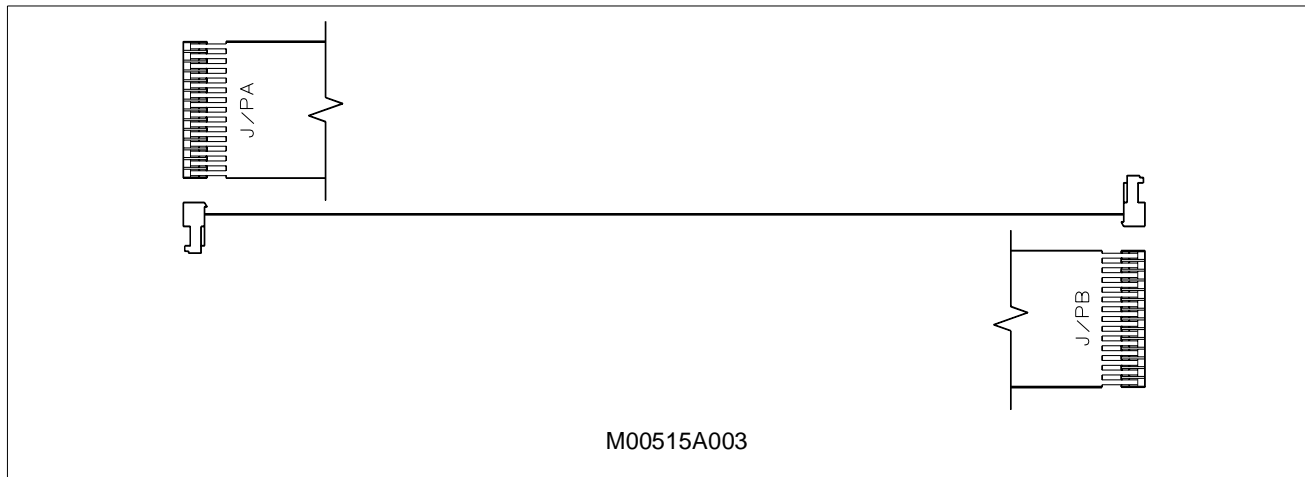
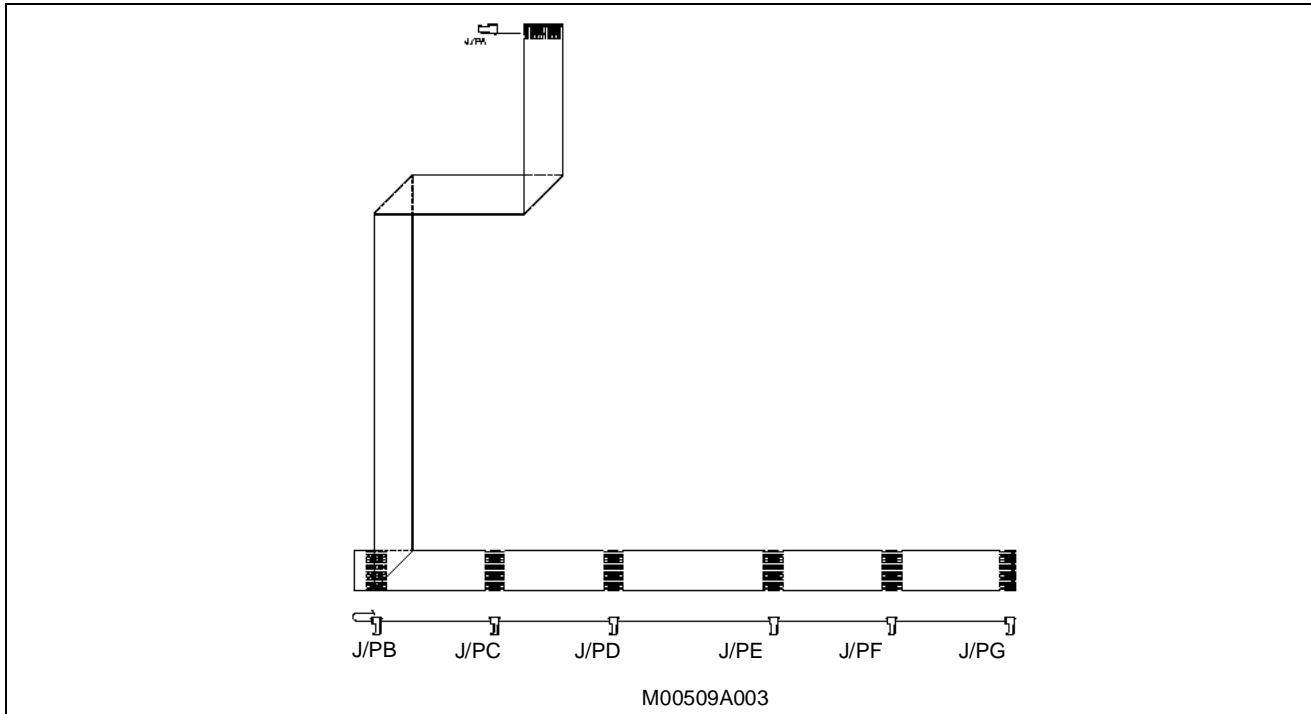


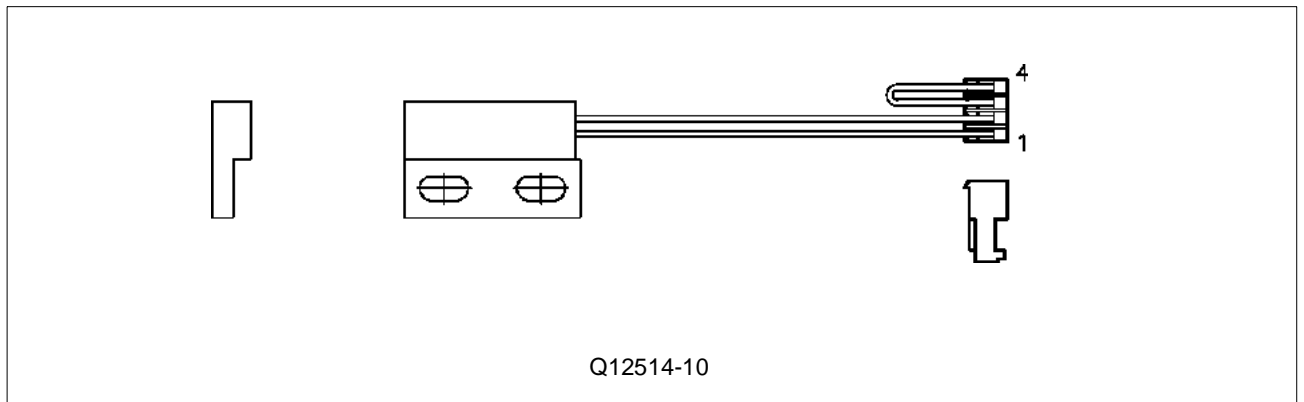
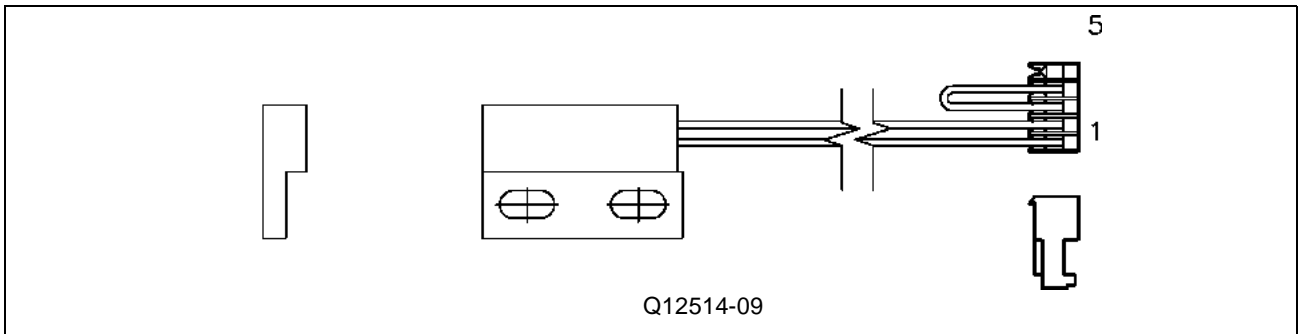
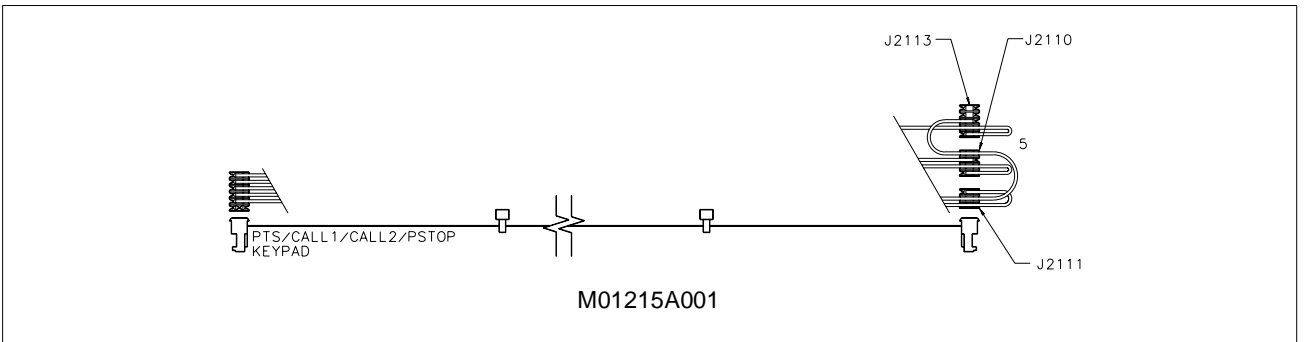
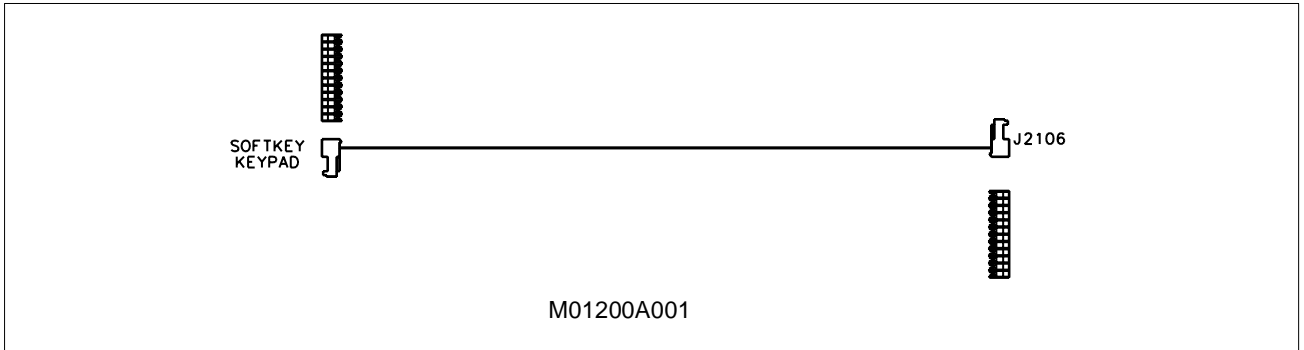
Base Electronics Door

Cable Description	Current Part	Previous Part
LON Bus cable (Refer to LON Bus cable section)	-	-
.100 Inc Centers, 5 Position, 22AWG Ribbon cable	M00497A001	-
Card Reader cable (side 1 and 2)	M00501A002	-
PPU Door cable	M00509A003	-
.100 Inc Centers, 14 Position, 22AWG Ribbon cable	M00515A003	-
Grade Select cable	M00628A001	-
Speaker/Wire cable	M00636A001	M00636A002
CRIND SoftKeys cable	M01200A001	-
PTS/Call1/Call2/Stop cable	M01215A001	-
Cable and Pump handle	Q12514-09	M01152A001
Grade Select cable	Q12514-10	Q12514-08 M00628A001

Base Electronics Door Cable Illustrations



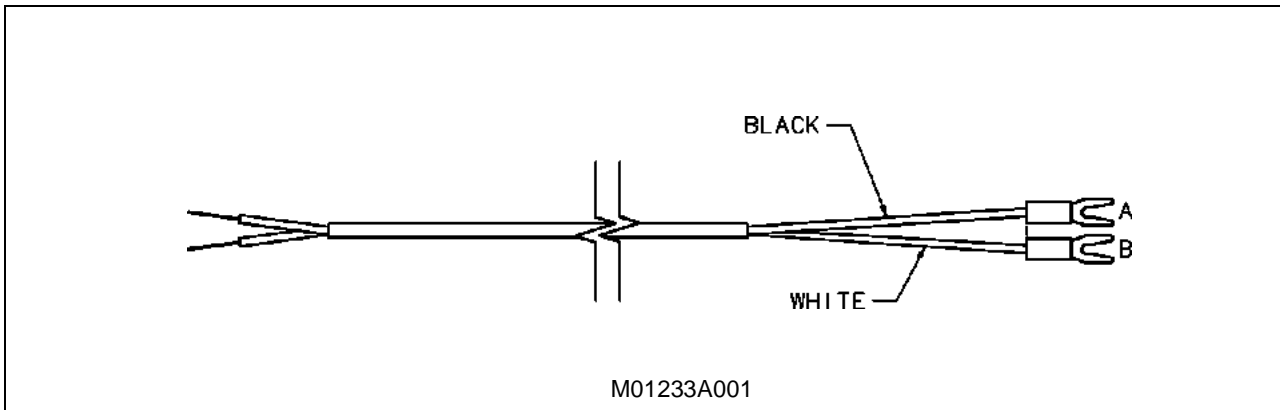
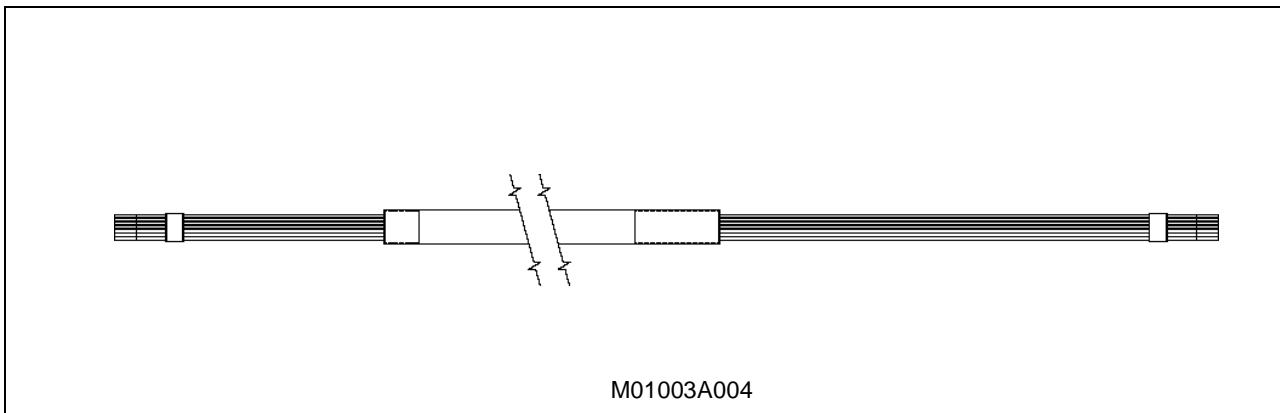




Call Button Option

Cable Description	Current Part	Previous Part
Call Button Option conduit and cable assembly	M01003A004	-
Call Button cable	M01233A001	-

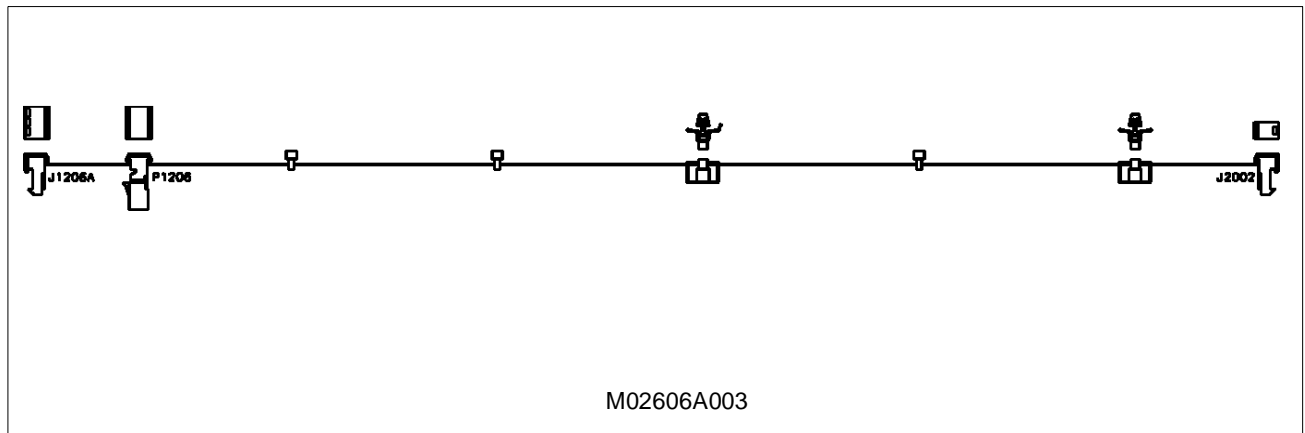
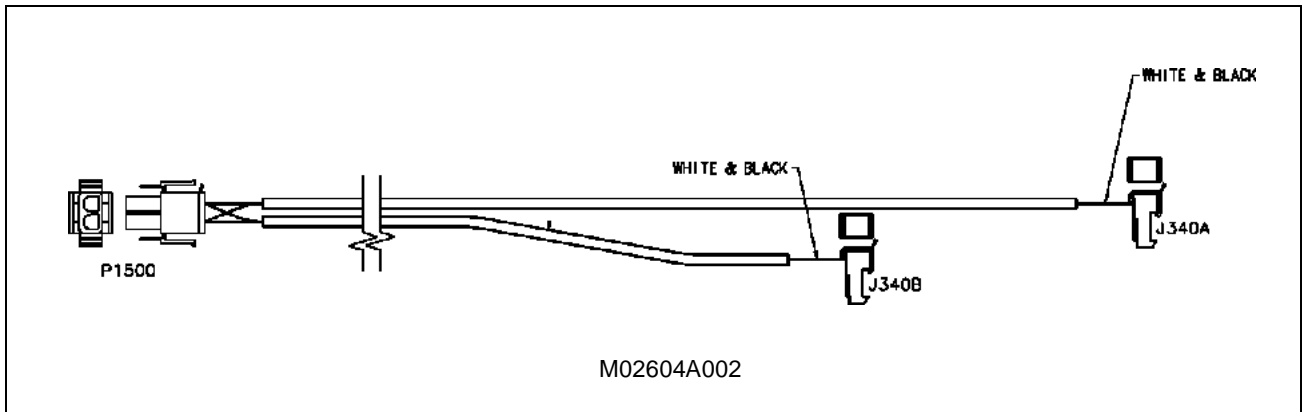
Call Button Cable Illustrations



Card Reader Heater Option

Cable Description	Current Part	Previous Part
Card Reader Heater cable	M02604A002	-
Card Reader Heater cable adapter	M02606A003	M02607A003

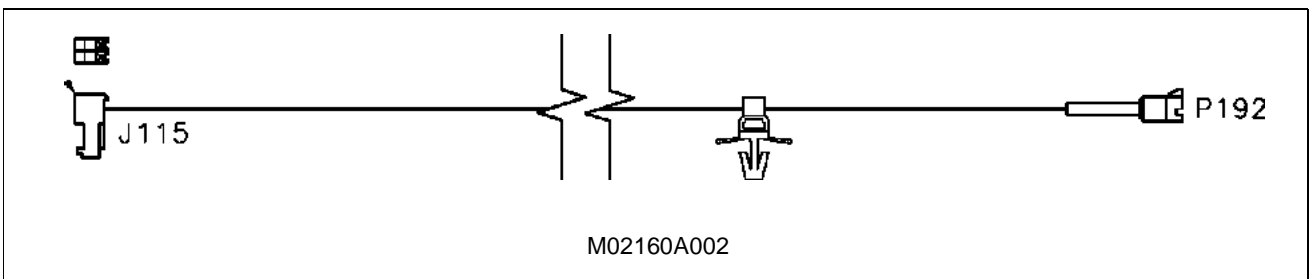
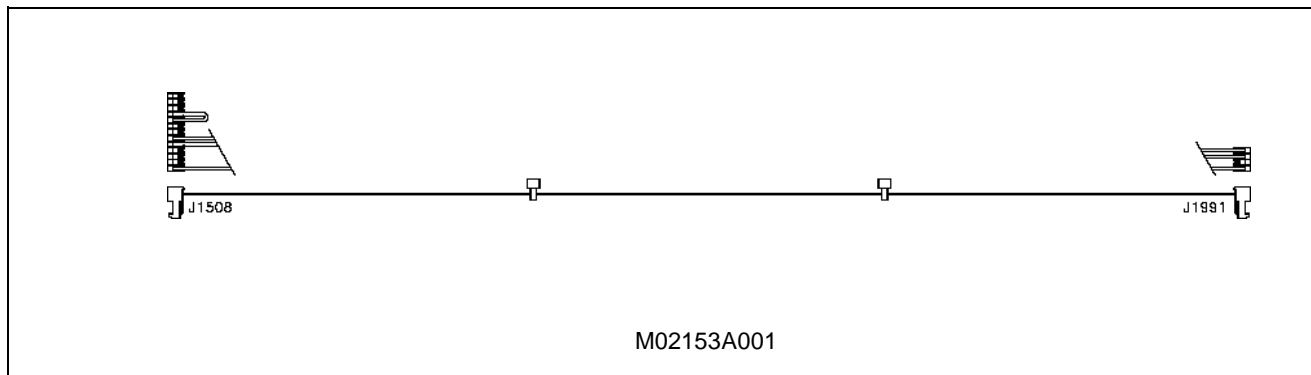
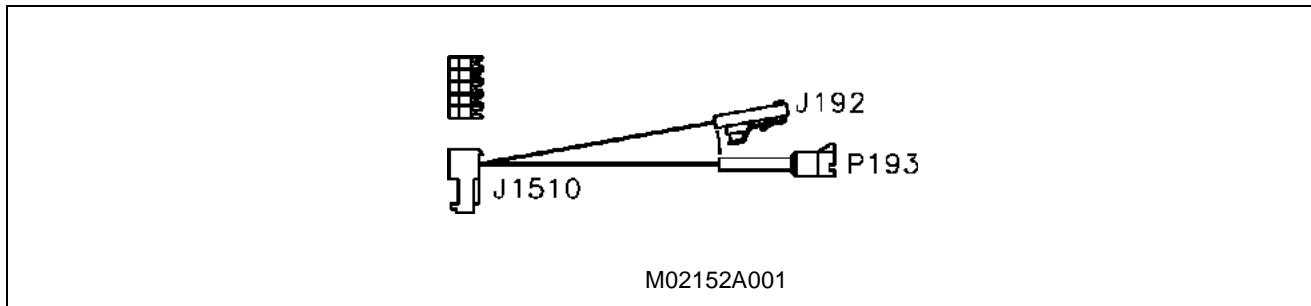
Card Reader Heater Cable Illustrations

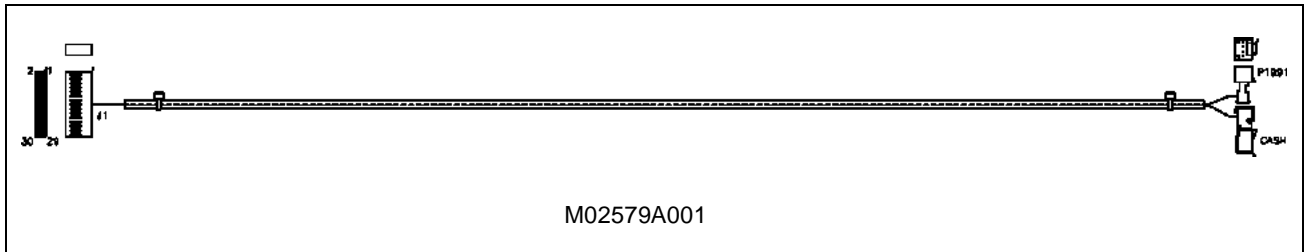
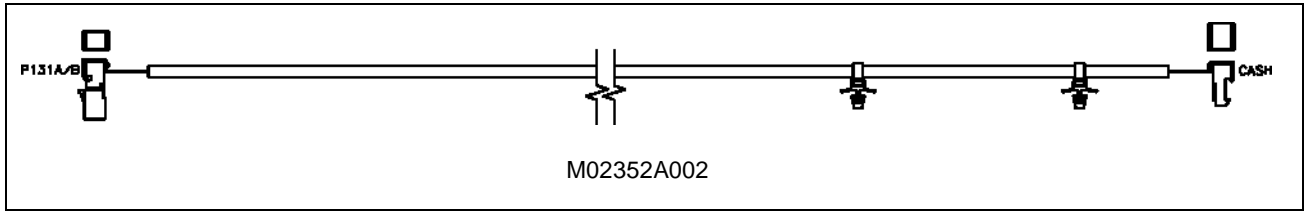


Cash Acceptor Option

Cable Description	Current Part	Previous Part
LON Bus (Refer to LON Bus cable section)	-	-
Security switch interface cable	M02152A001	-
Cash acceptor to LON Serial interface cable	M02153A001	-
Security switch interface cable	M02160A002	-
Cash acceptor power cable	M02352A002	M02352A001
Cash acceptor cable	M02579A001	-

Cash Acceptor Cable Illustrations

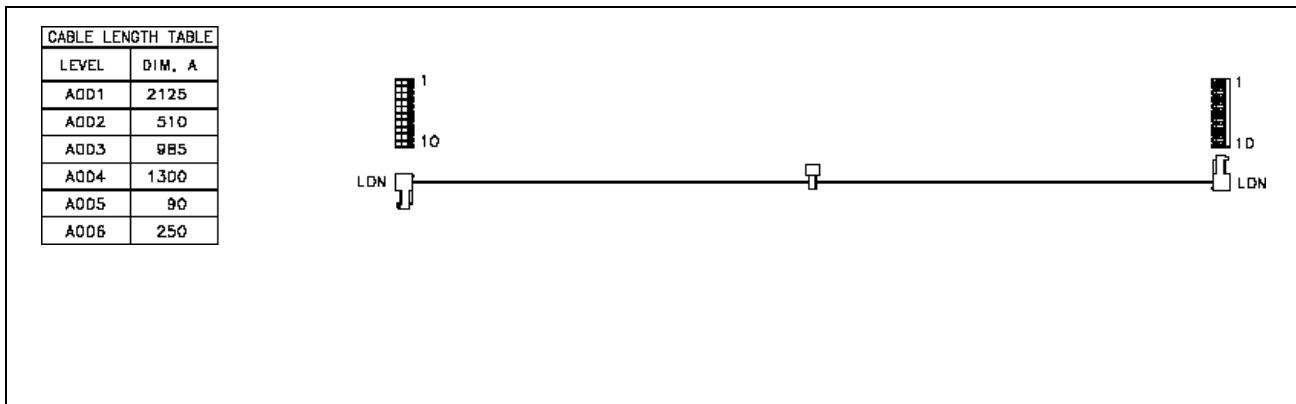




LON Bus Cables

Cable Description/Location	Current Part	Previous Part
Pump Control Node to Door Node Pump Control Node or Crind Control Note to Door Node	M00489A001	-
Door Node to Printer to Scanner Pump Control Node to Crind Control Node	M00489A002	-
Printer to Totalizer Node	M00489A003	-
Printer to Barcode Scanner	M00489A004	-

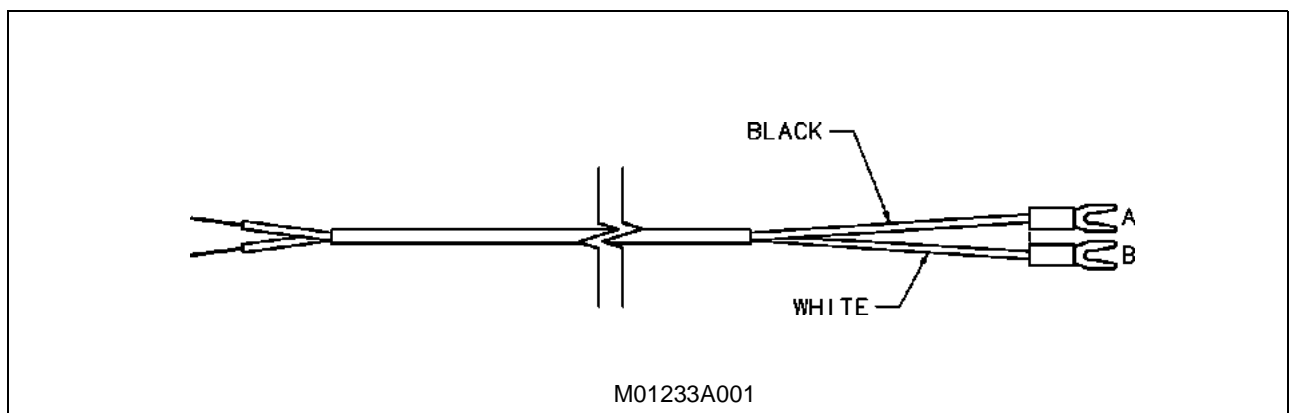
LON Bus Cable length table and illustration

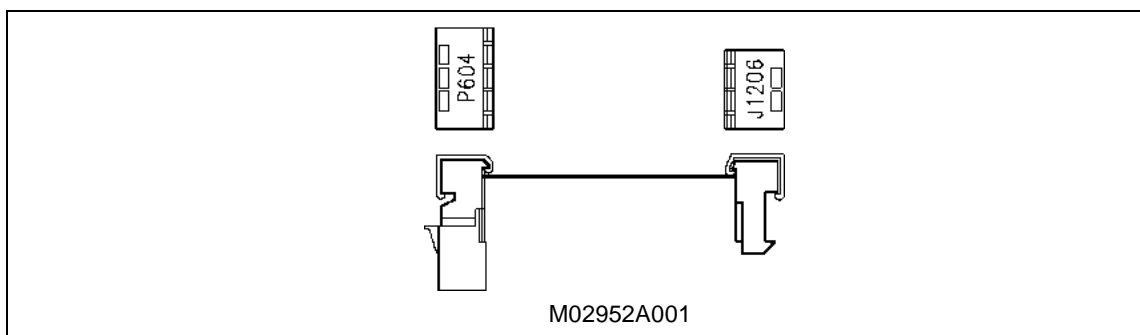
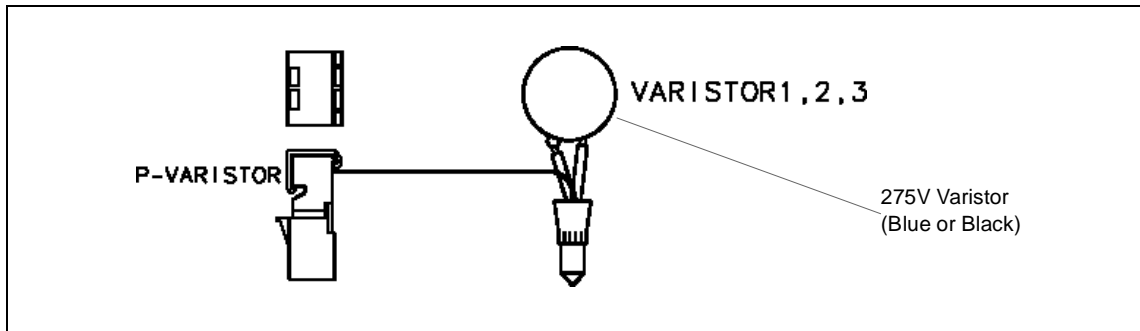
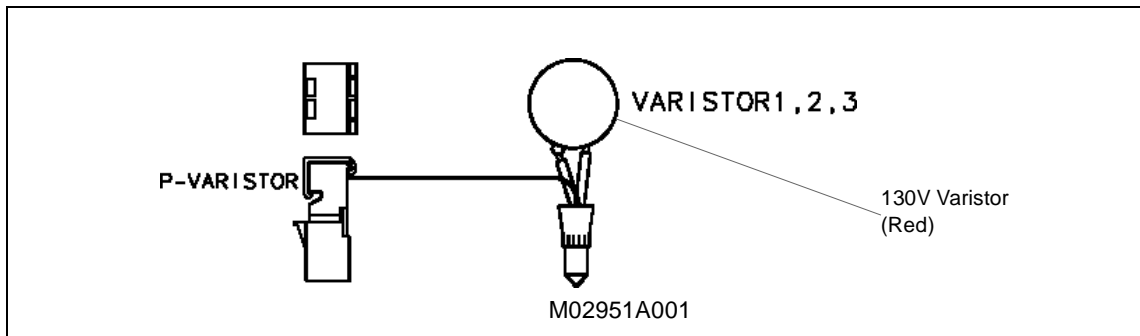
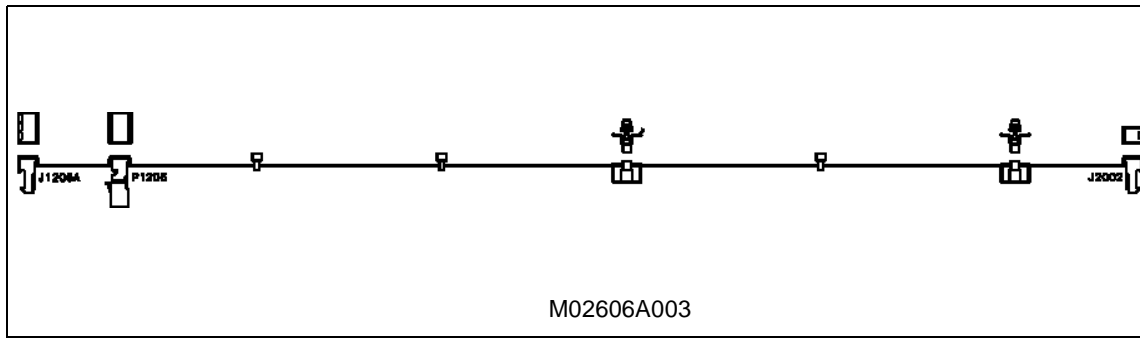


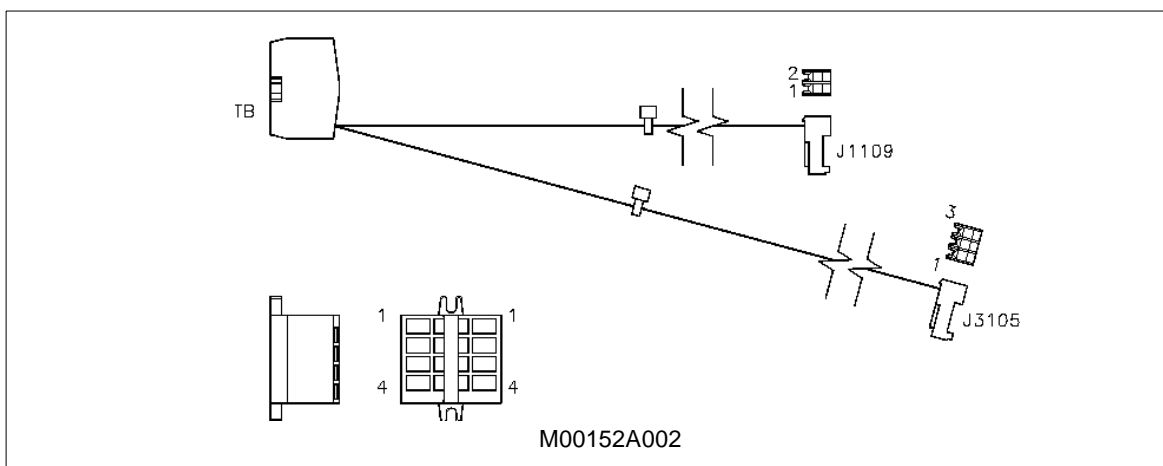
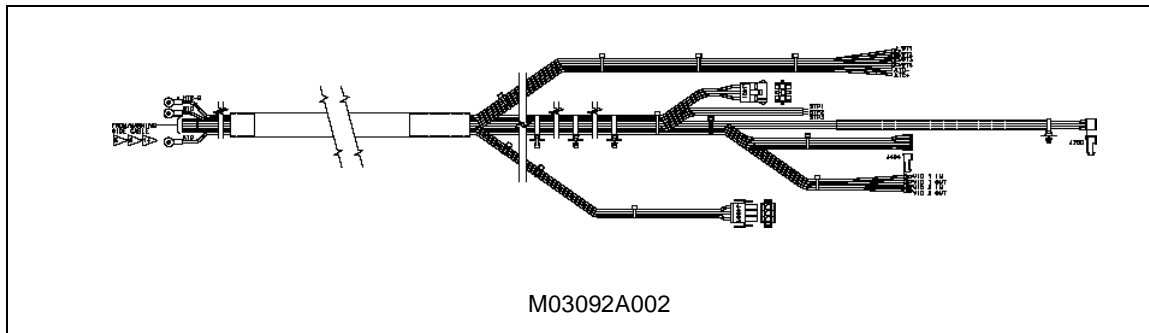
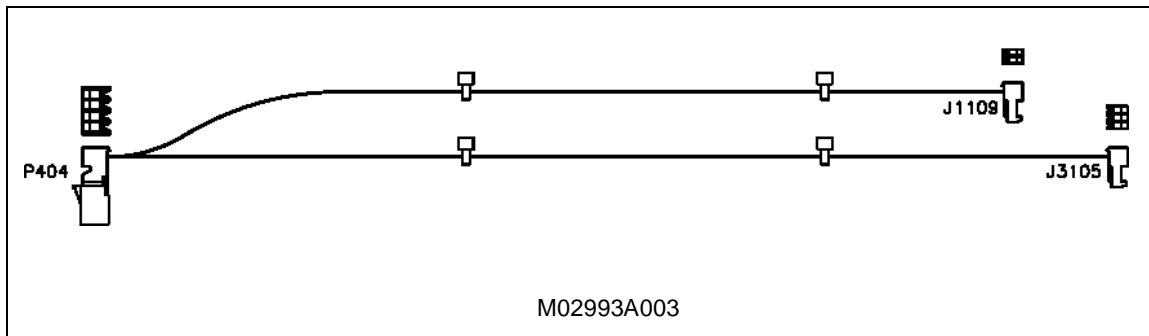
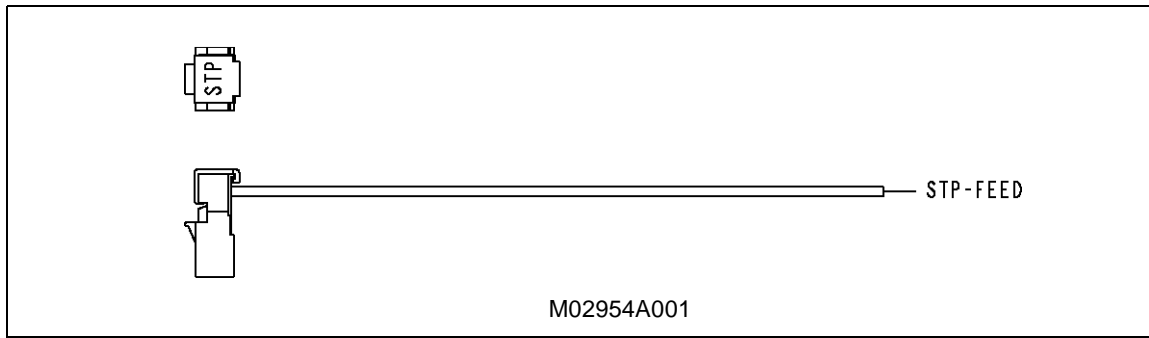
Main Power Supply

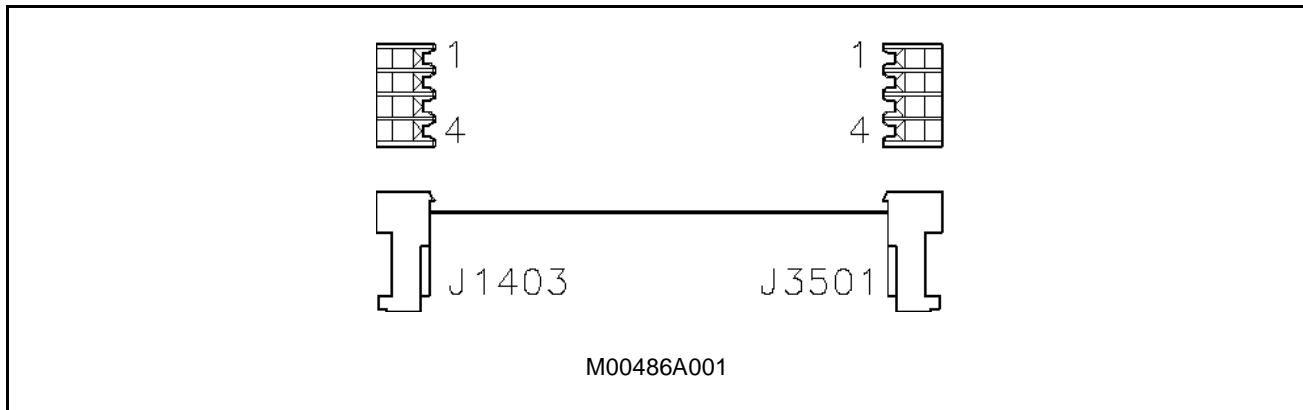
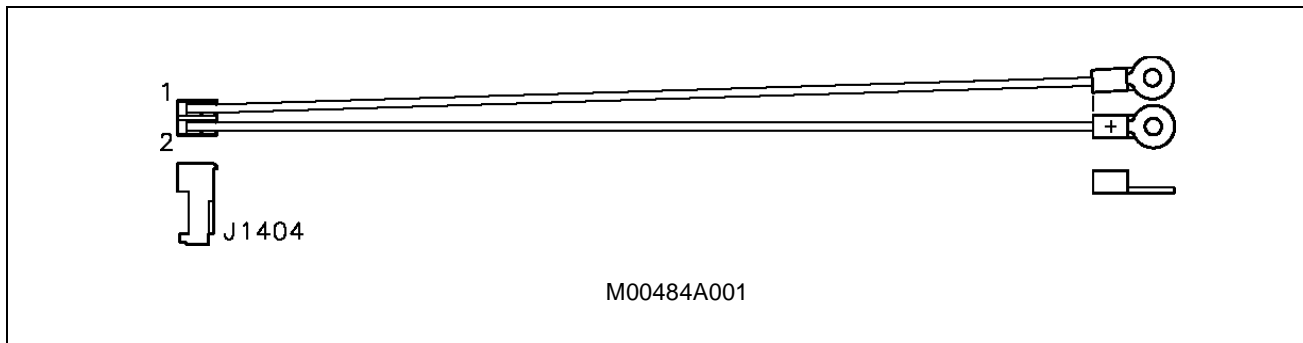
Cable Description	Current Part	Previous Part
Speaker with wire cable	M01233A001	-
Ballast/Backlight cable	M02606A003	M00630A004
Varistor cable	M02951A001	-
Varistor cable, 275v	M02951A002	-
Adapter cable, 130v	M02952A001	-
STP Board cable	M02954A001	-
2-wire cable	M02993A003	-
Conduit assembly	M03092A002	-
Terminal Block 2-wire cable (No longer used)	-	M00152A002
Power Terminal cable (No longer used)	-	M00153A001
Capacitor (<i>Filter Cap</i>) cable (No longer used)	-	M00484A001
+24V Regulator PCA cable (No longer used)	-	M00486A001
Backlight Power cable	M00517A006	
.156 Inch Centers, 2 Position, 18 AWG Ribbon cable (No longer used)	M00614A006	M00614A002
Power 2 wire/STP Control cable	M00635A003	M00635A002
AC Power cable	M00806A002	M00806A001
Lamp/Heater/Ballast cable (No longer used)	-	M01103A001
Terminal block to Valve PCB cable (No longer used)	-	M01277A001
Cash Acceptor Filter Line cable (No longer used)	-	M02367A001
Cash Acceptor Terminal Block cable (No longer used)	-	M02368A001

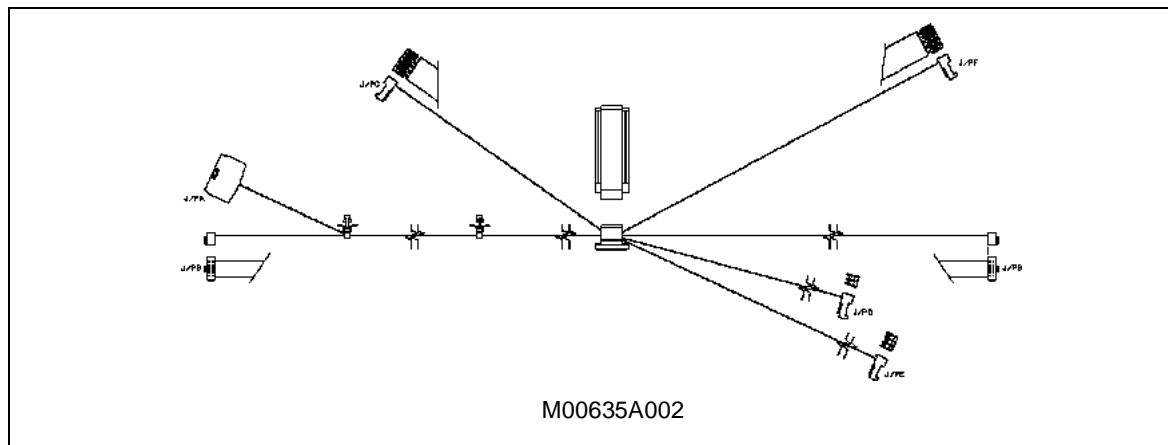
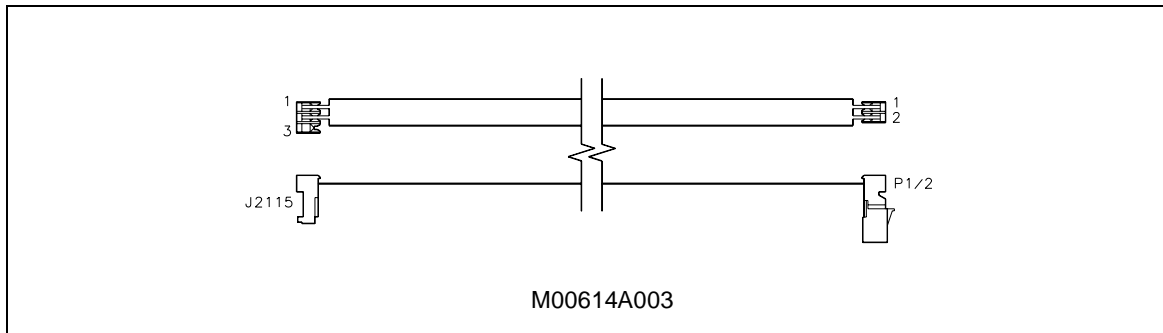
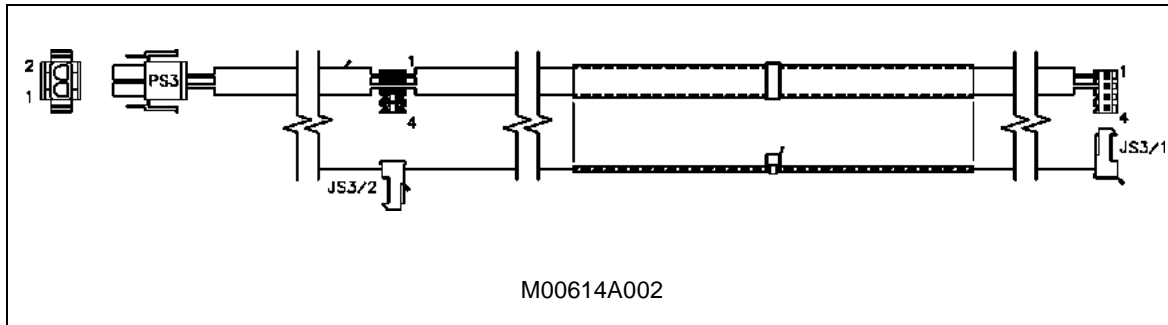
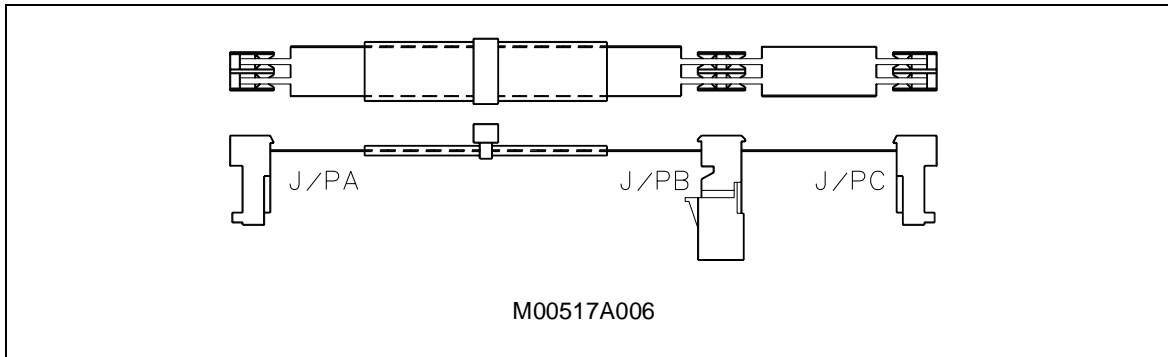
Main Power Supply Cable Illustrations

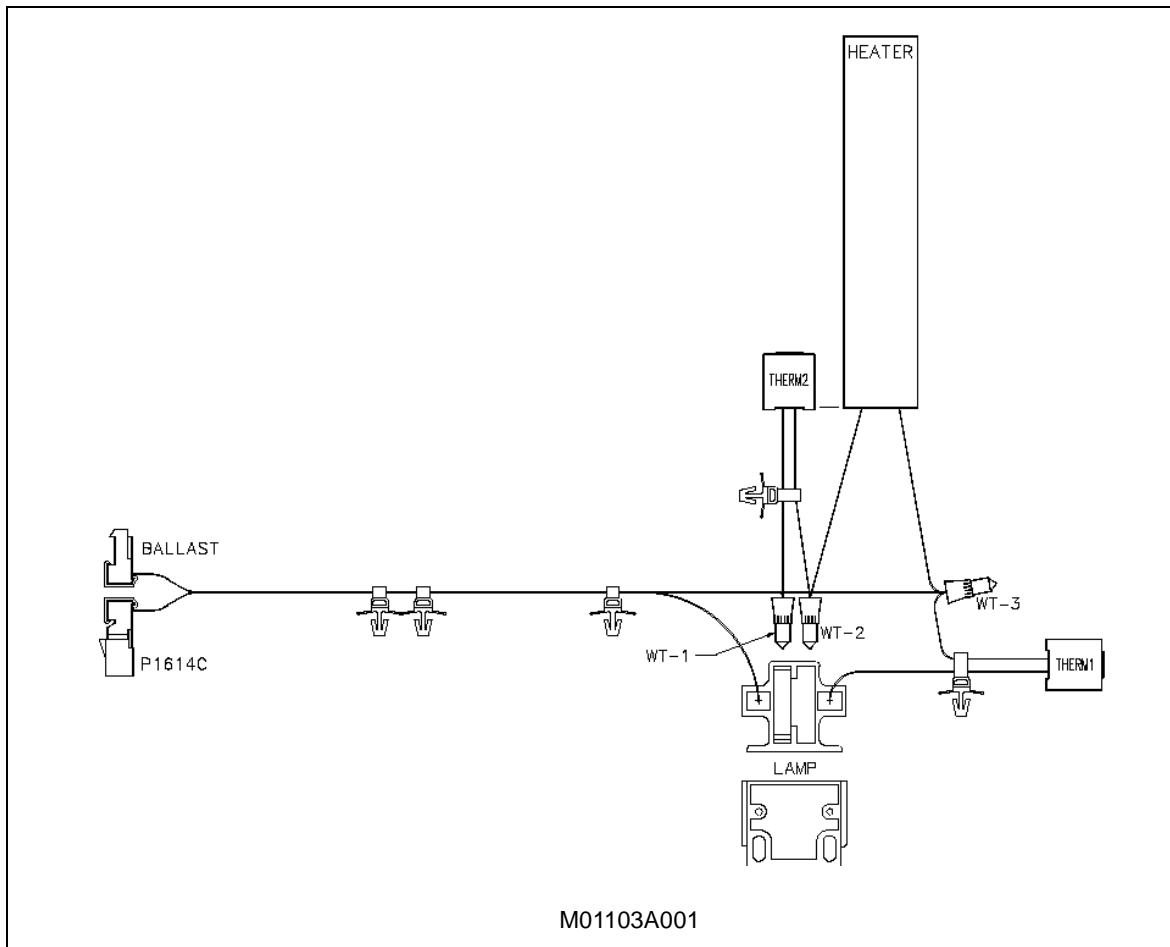
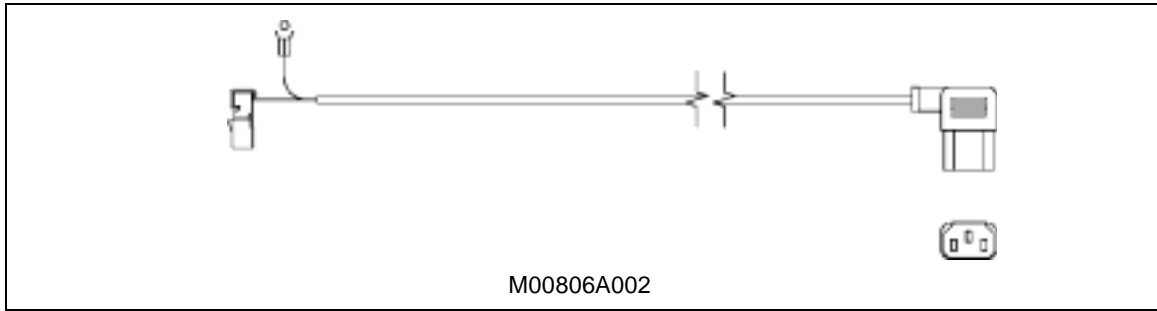


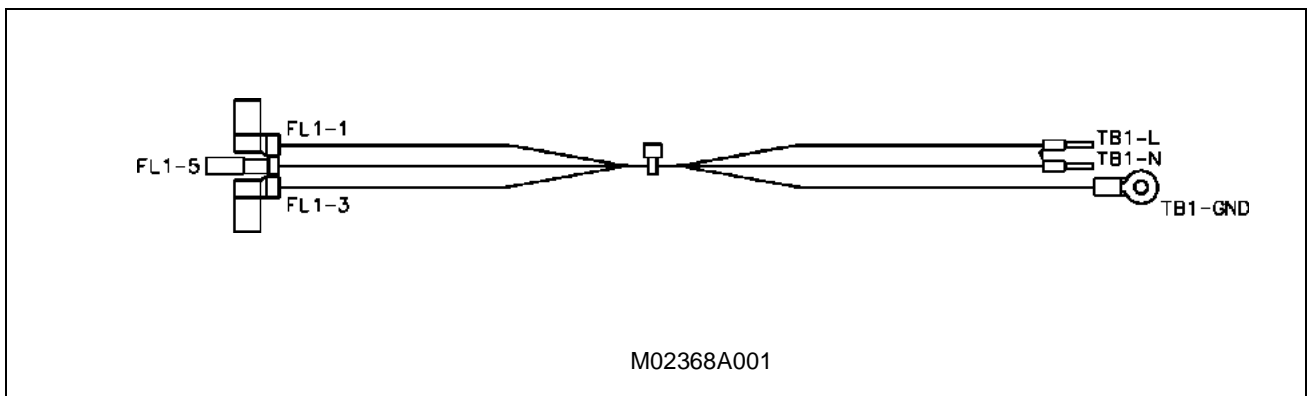
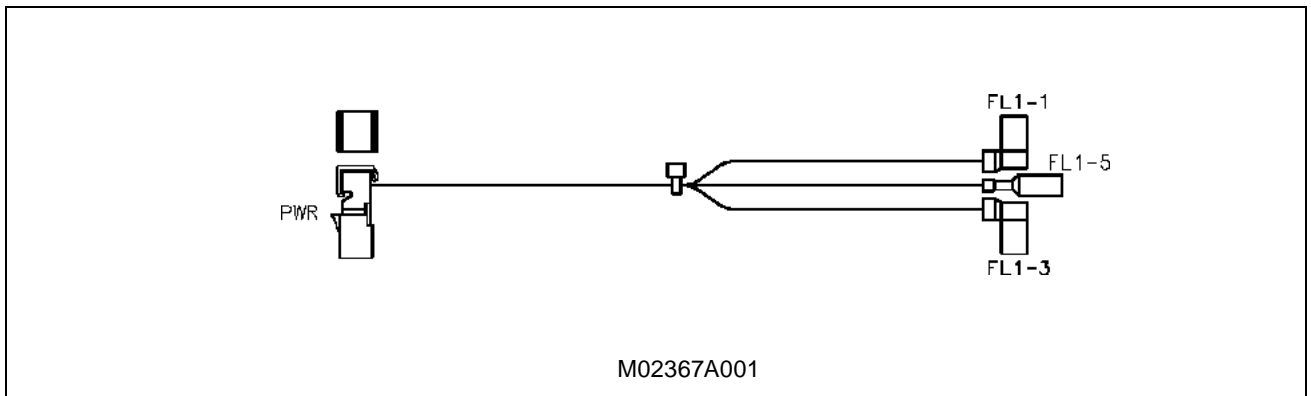
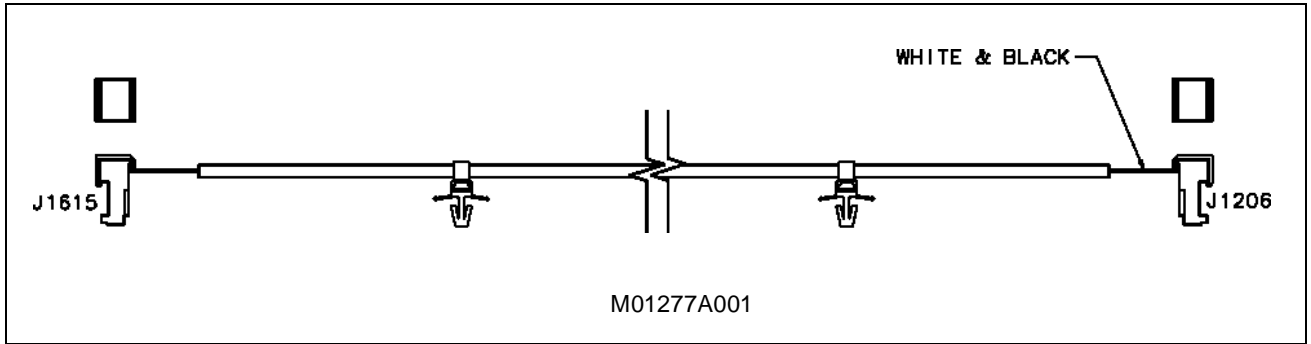








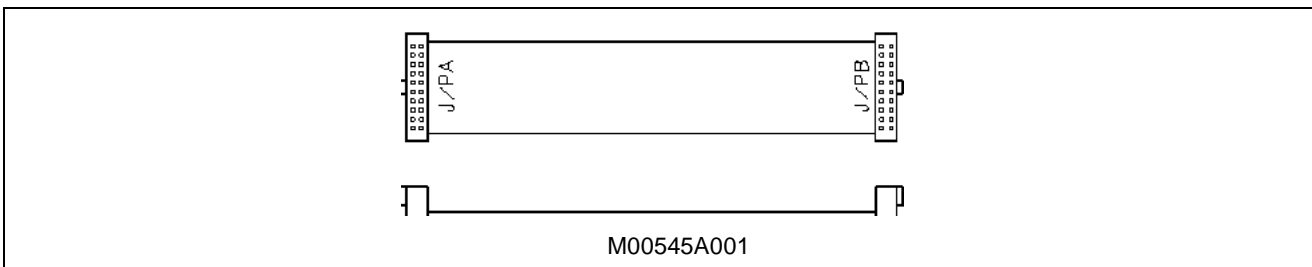
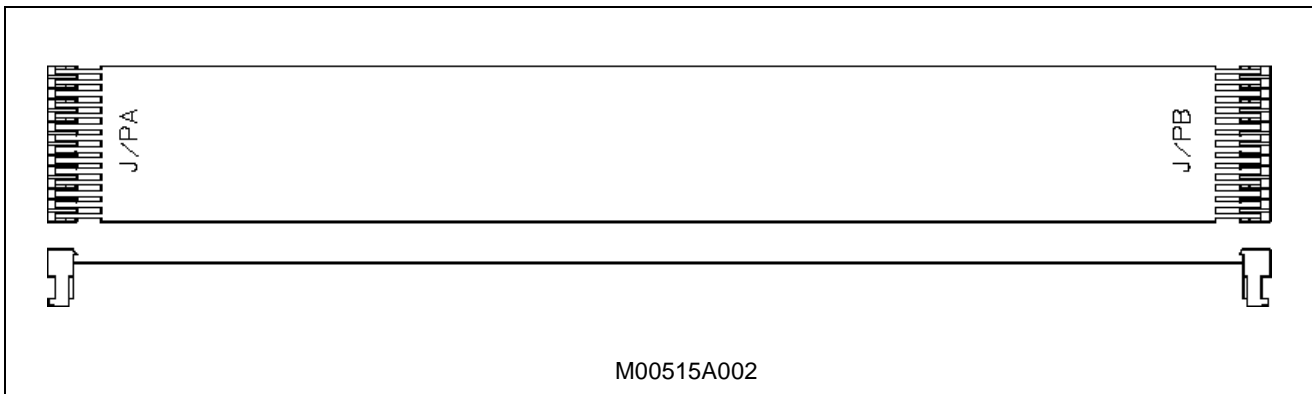
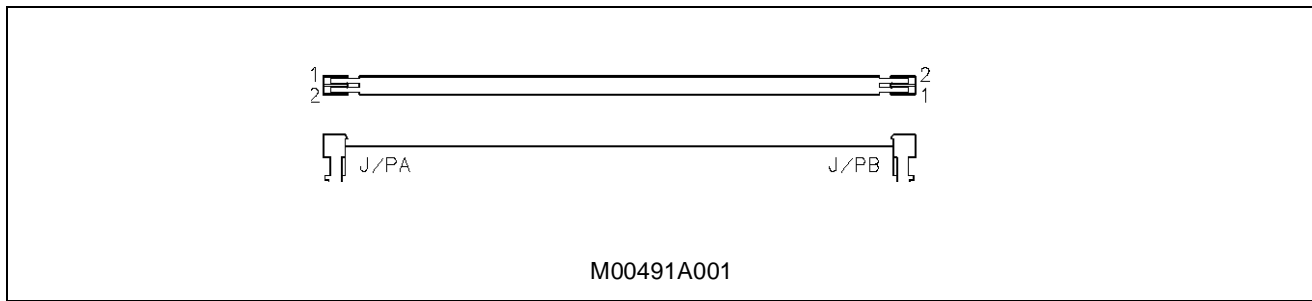


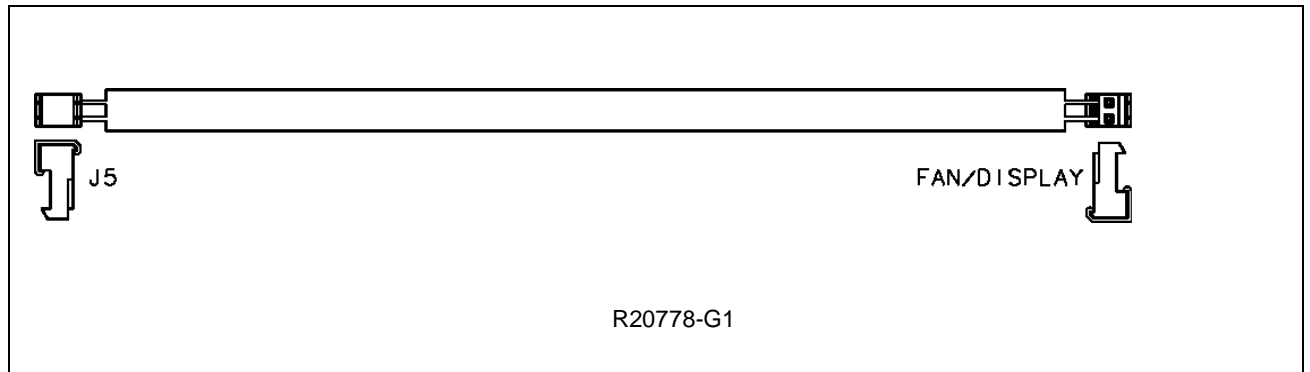
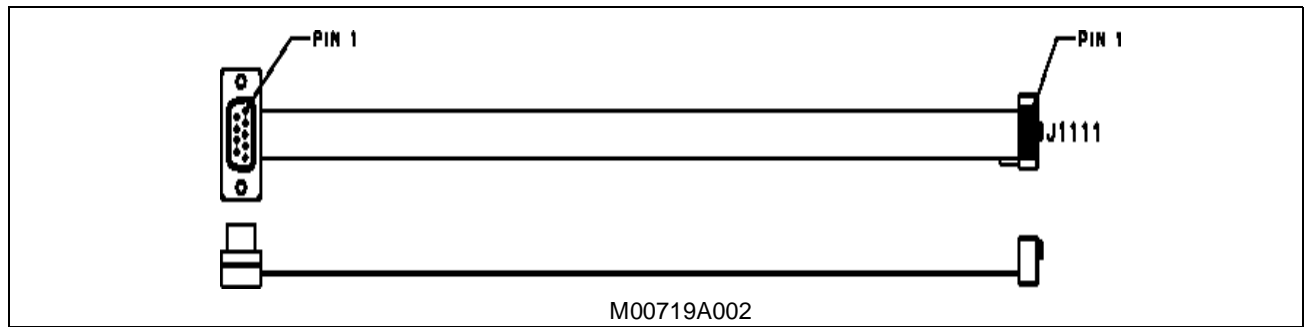
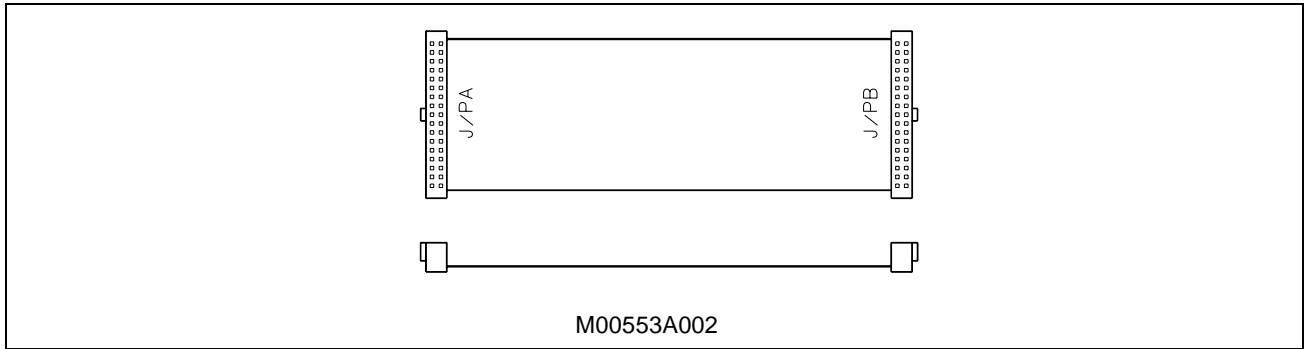


Monochrome "CRIND" Option

Cable Description	Current Part	Previous Part
LON Bus cable (Refer to LON Bus cable section)	-	-
2 Wire between CCN and PCN cable	M00491A001	-
TRIND Gateway to CCN cable (No longer used)	-	M00515A002
Monochrome Interface to CCN (No longer used)	-	M00545A001
Monochrome PCA to Monochrome display	M00553A002	-
Serial Programming Port cable	M00719A002	M00719A001
Backlight cable	R20778-G1	-

Monochrome "CRIND" Cable Illustrations

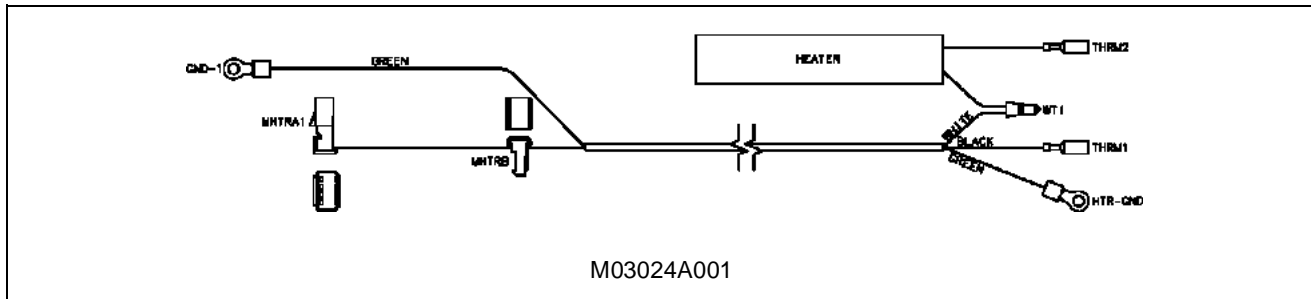




Monochrome Heater Option

Cable Description	Current Part	Previous Part
Heater cable	M03024A001	-

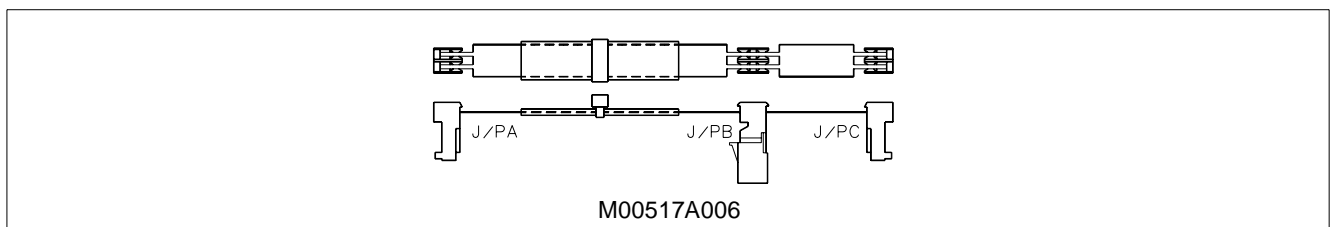
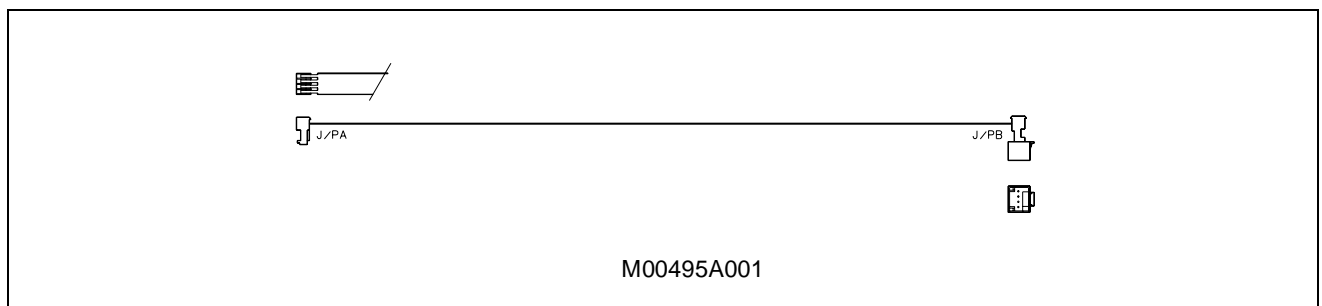
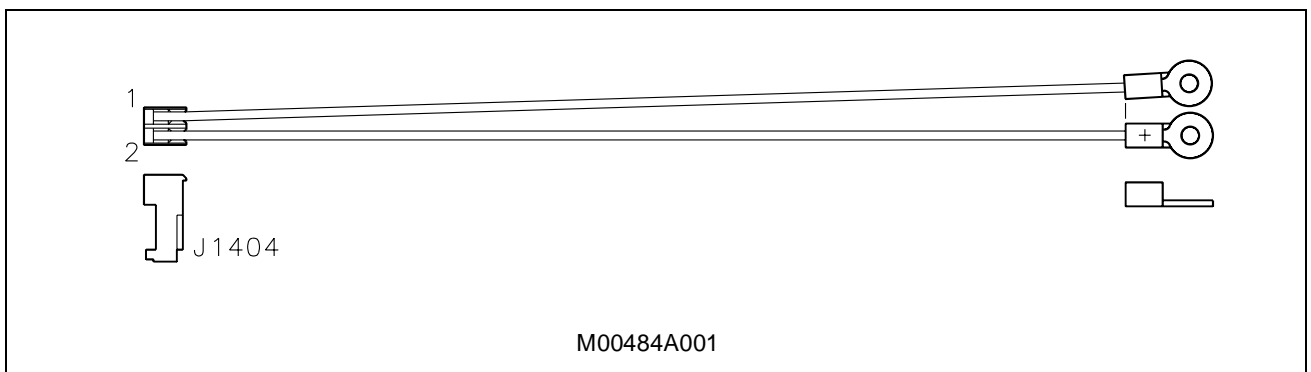
Monochrome Heater Cable Illustrations

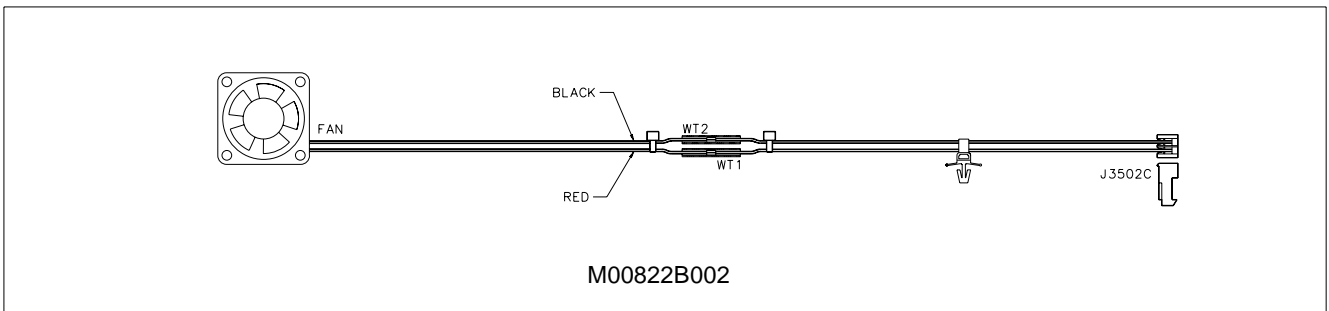
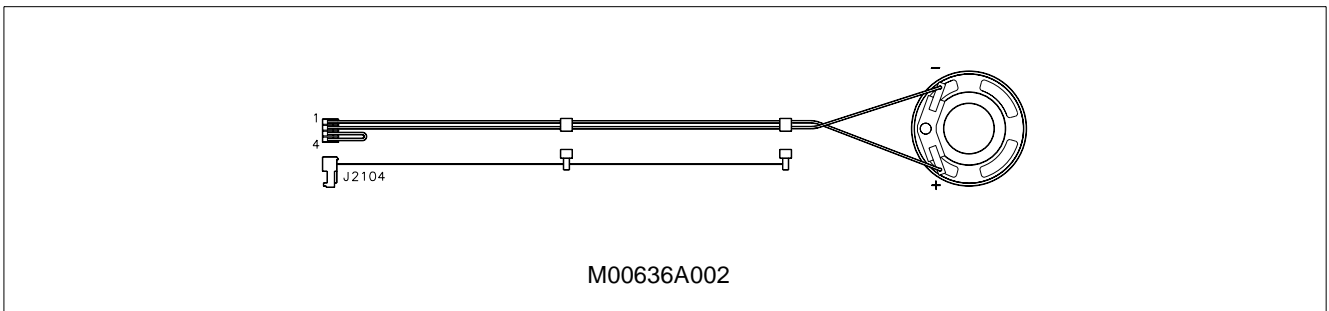
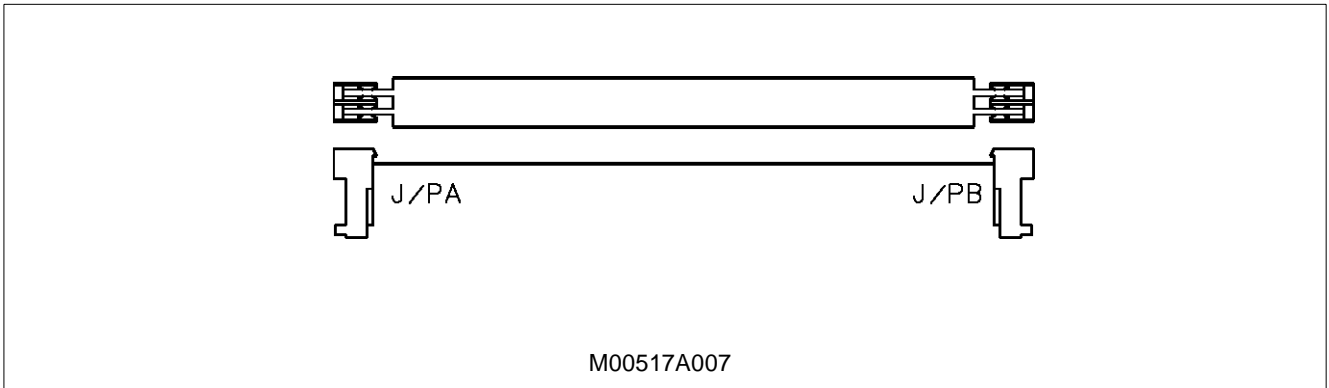


Printer

Cable Description	Current Part	Previous Part
LON Bus cable (Refer to LON Bus cable section)	-	-
Capacitor cable (No longer used)	-	M00484A001
.100 Inc Centers, 4 Position, 22AWG Ribbon cable	M00495A001	-
+24V Printer and Fan Power cable	M00517A006	-
+24V Scanner cable	M00517A007	-
Speaker and Cable assembly	M00636A002	-
Monochrome Fan assembly (No longer used)	-	M00822B002
Infrared Sensor Printer cable	R20771-G1	-

Printer Cable Illustrations

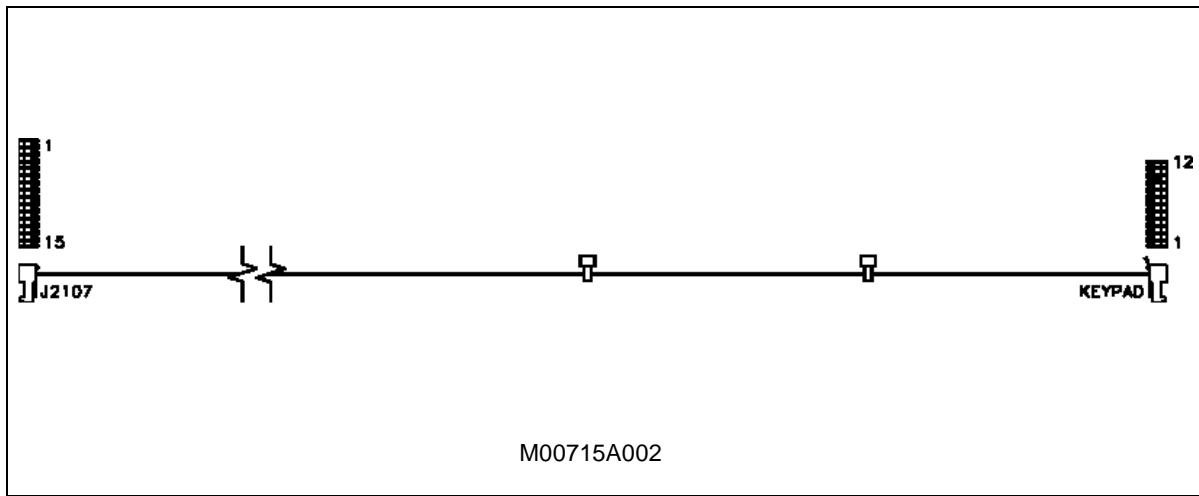




Programmable Pump Preset (PPP) Option

Cable Description	Current Part	Previous Part
Customer/Miscellaneous Keypad cable	M00715A002	M01202A001

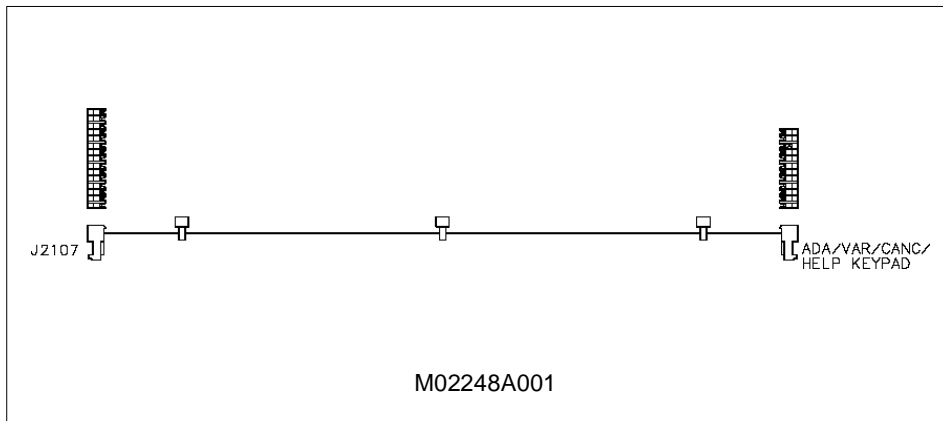
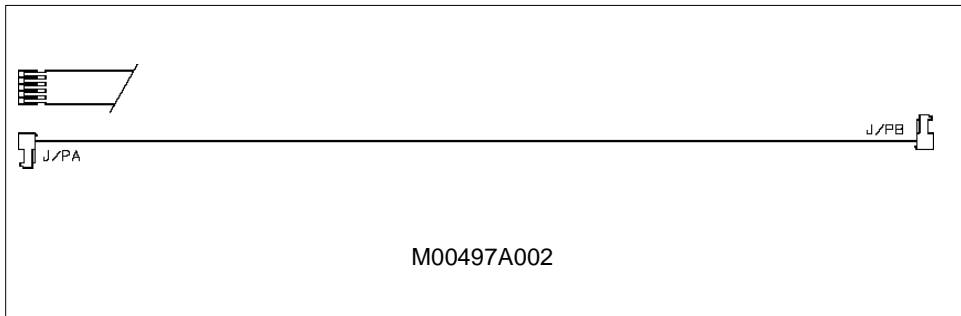
PPP Cable Illustrations



Smartpad Option

Cable Description	Current Part	Previous Part
ADA/VAR/CANC/Help keypad	M00497A002	-
Smartpad cable	M02248A001	-

Smartpad Cable Illustrations



Vapor Vac Option

Cable Description	Current Part	Previous Part
Conduit and Cable assembly (<i>Valve and Motor control CD Module</i>)	M00724A001	-
Light Box Cable	M00880A001	-
VaporVac Motor Control cable (side 1)	M00980A001	-
VaporVac Motor Control cable (side 2)	M00980A002	-
VaporVac Valve cable	M00981A001	-
Conduit and VaporVac Isolation cable	M01036A001	-
Ribbon Cable, 20 con (Reg/Logic)	R17995-G4	-
Ribbon Cable assembly	R19665-G1	-
Ribbon Cable assembly, 20 con	R19666-G1	-
Ribbon Cable assembly, 34 con	R19667-G1	-
Ribbon Cable, 24 con	R19672-G1	-
Multiplex Cable interface	R19699-G1	-

Vapor Vac Cable Illustrations

