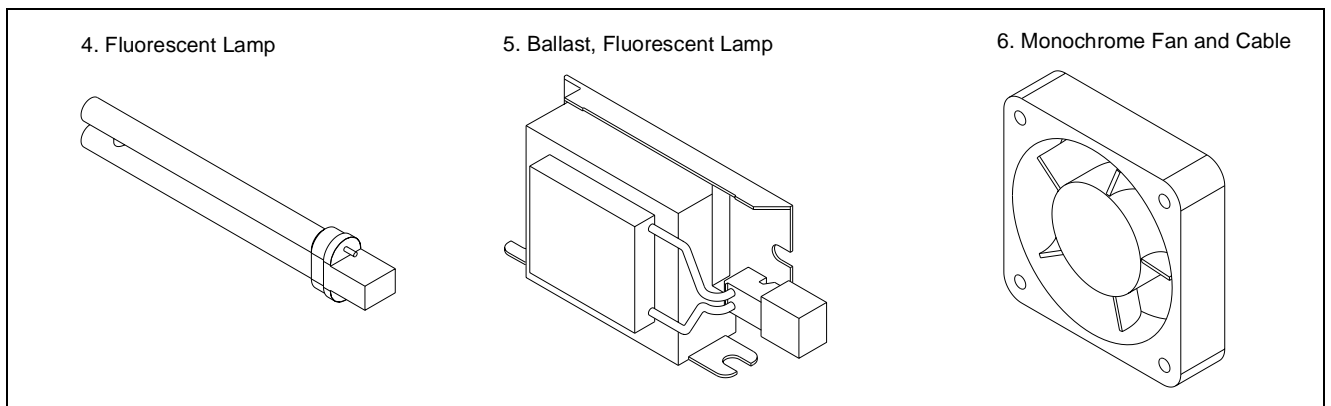
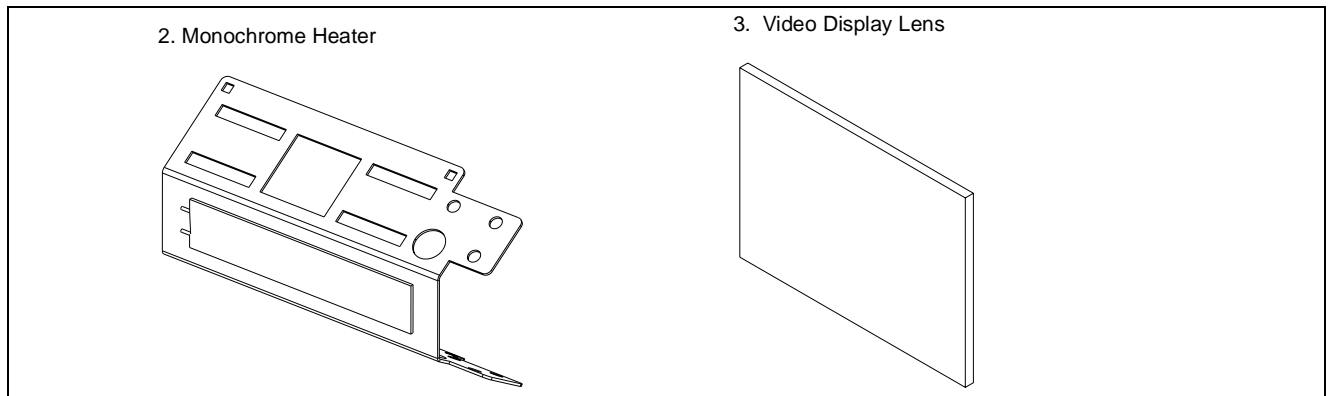
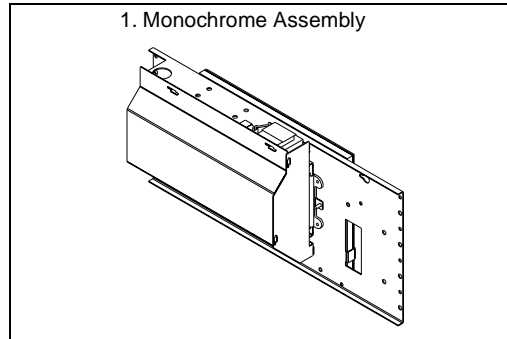


4 – Door Module Electronics Section

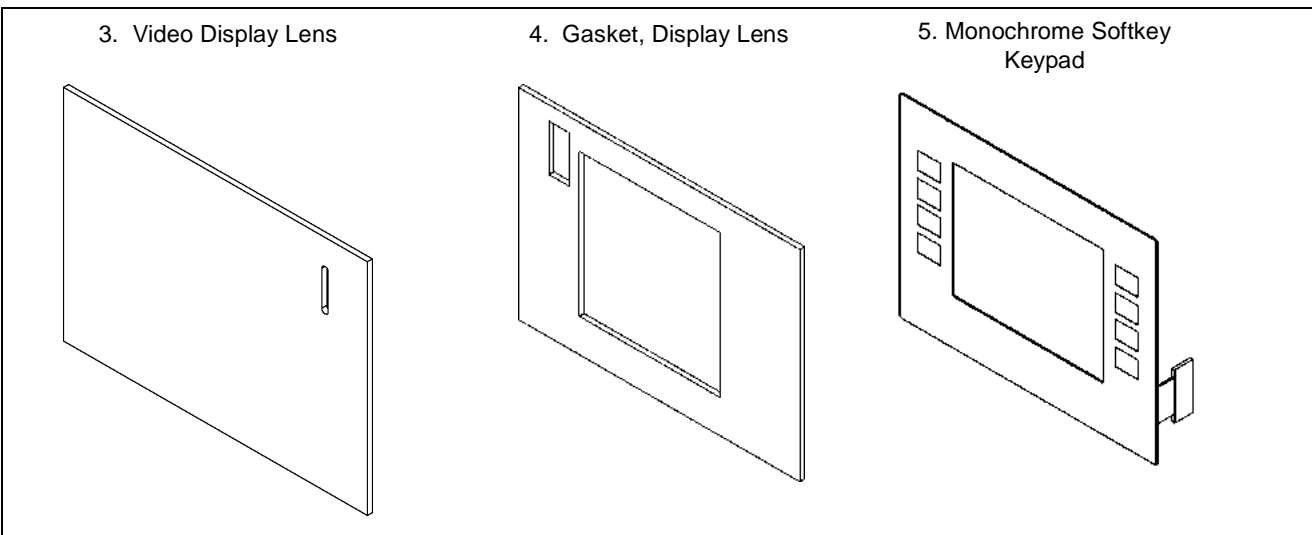
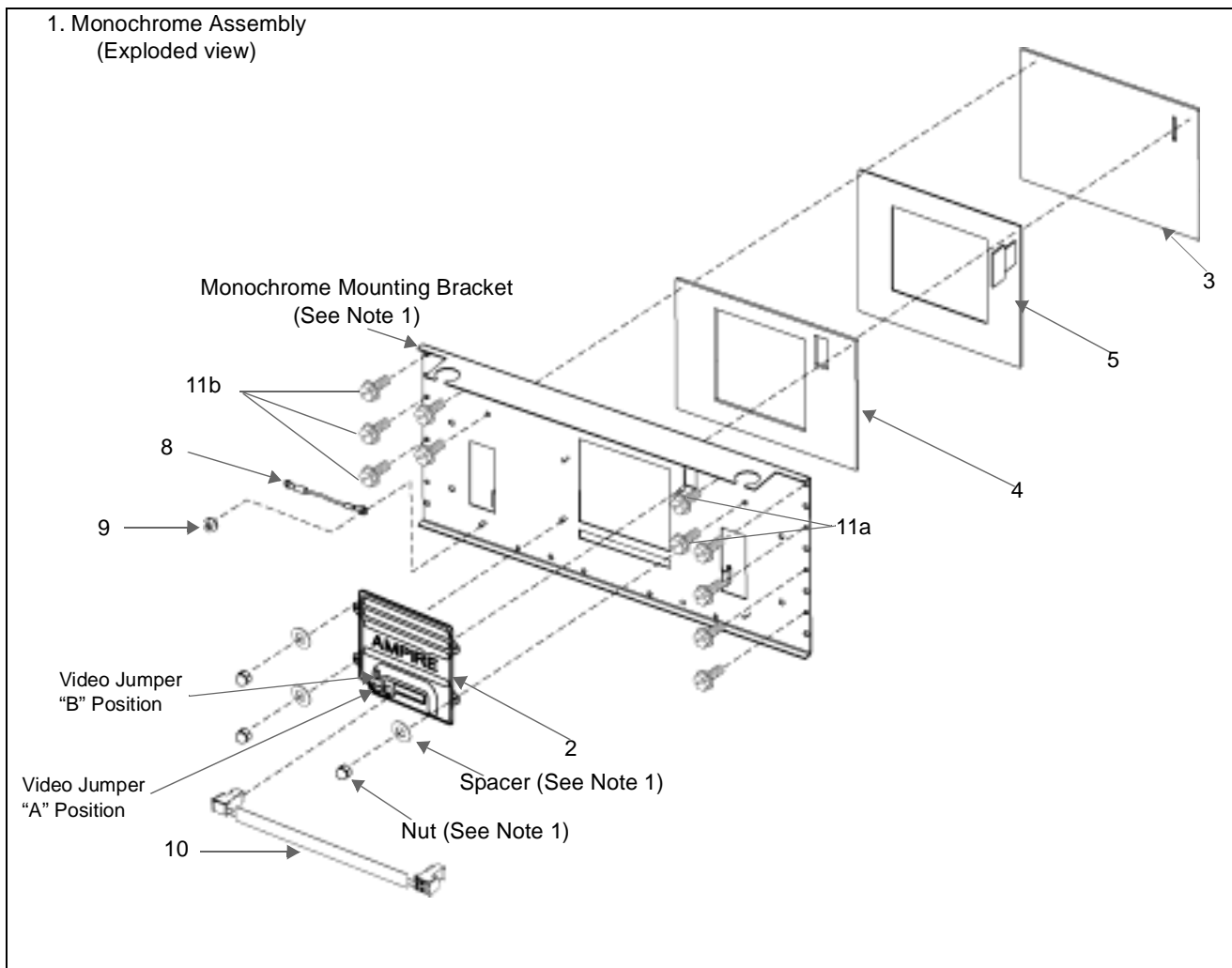
CRIND® Monochrome Assembly (M01100A001)

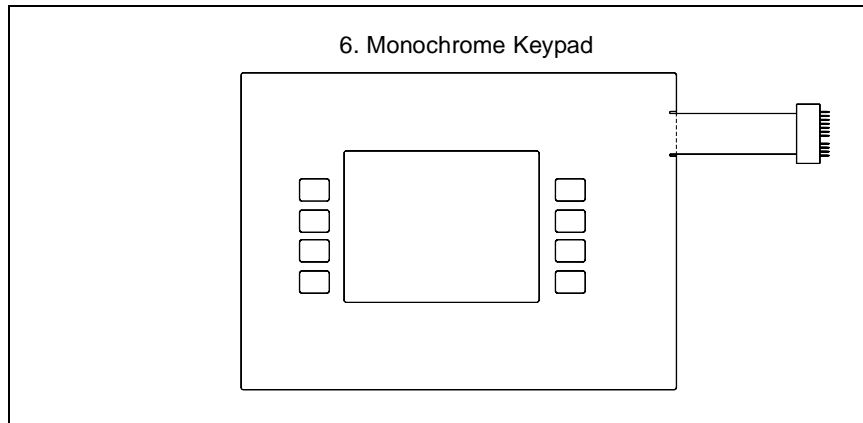


Item #	Description	Current Part	Previous Part	Quantity
1	Monochrome Assembly	M01110A001	-	1
2	Monochrome Heater Bracket Assembly	M01083A001	-	1
3	Video Display Lens	M00683B001	-	1

Item #	Description	Current Part	Previous Part	Quantity
4	Fluorescent Lamp, 13 watt	Q12929-02	-	1
5	Ballast, Fluorescent Lamp	Q13164-07	-	1
6	Monochrome Fan and Cable	M00822B002	-	1

CRIND® Monochrome Display Assembly (M01653A001)



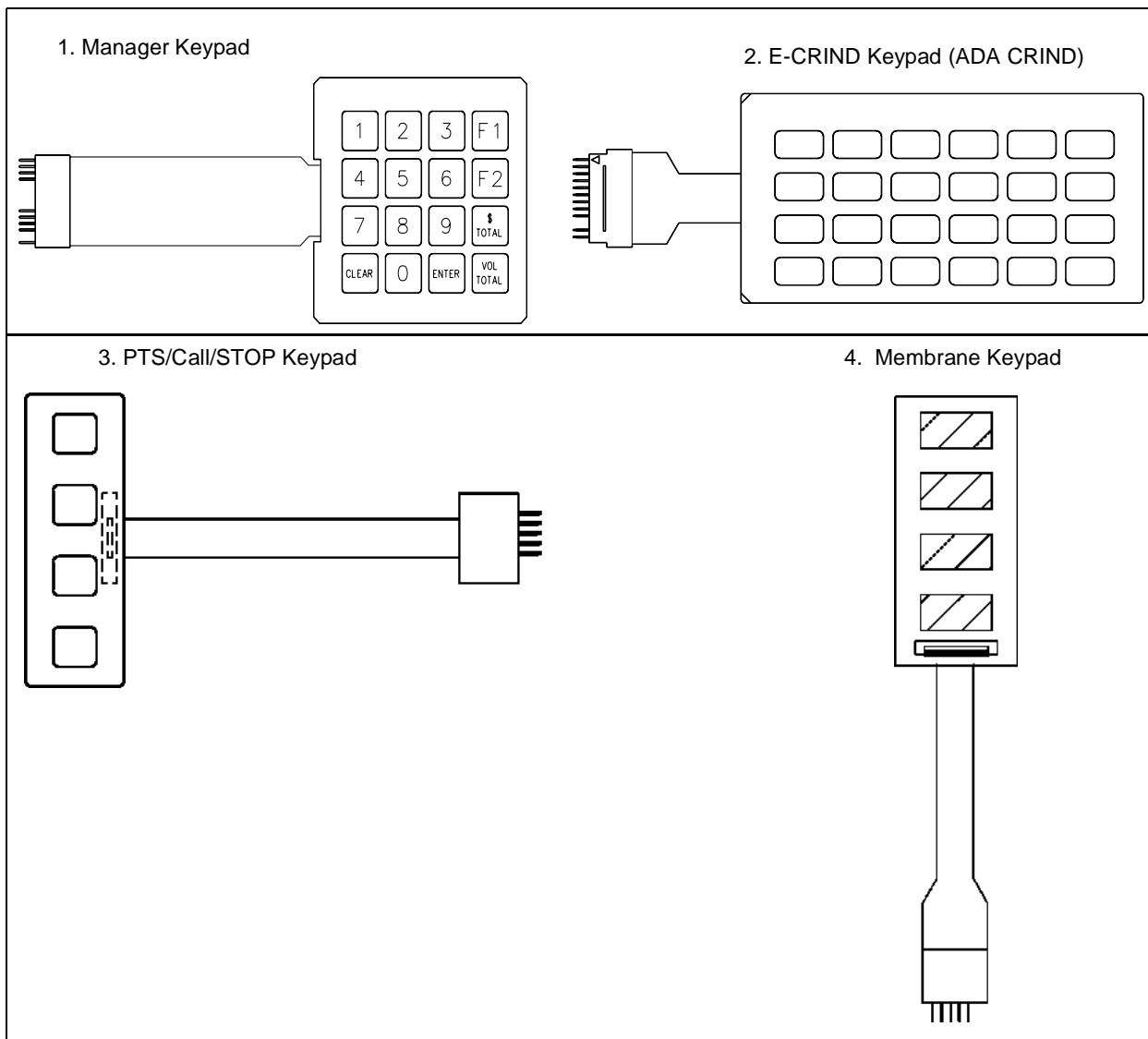


Item #	Description	Current Part	Previous Part	Quantity
1	CRIND Monochrome Display Assembly (Reference only) (See Note 1)	M01653A001	-	1
2	Monochrome Display (Interchangeable) (See Notes 2, 3 and 4)	M02636A001	<i>Note: See previous parts below</i>	1
	Monochrome Display (backlight always ON)	-	Q13908-06	1
	Monochrome Display	-	Q13908-05	1
	Monochrome Display (Interchangeable, backlight always ON)	-	Q13908-03	(See Note 5)
	Monochrome Display (Interchangeable, backlight always ON)	-	Q13908-02	(See Note 5)
	Monochrome Display (Backlight ambient sensitive, OFF in day light, ON at night)	-	Q13908-01	(See Note 5)
3	Video Display lens (See Note 6)	M01255B001	-	1
4	Gasket, Display lens (See Note 6)	M01360B001	-	1
5	Monochrome Softkey keypad	M01254B001	-	1
6	Monochrome keypad (Obsolete)	M00143B001	-	1
7	PCA CRIND Z180 logic board	T17764-G4	-	1
8	Ground cable assembly (See Cable section for Part number)	-	-	
9	• Nut, metric hex (KEPS)	-	-	1
	• Washer, 1k #08 x .020 (Not shown)	-	-	1
10	Backlight cable (See Cable section for Part number)	-	-	1
<i>Attaching parts for Display to Mounting bracket</i>		-	-	-
11a	• Screw, slotted lock washer, hex head (-24)	-	-	8
<i>Attaching parts for Mounting bracket to door</i>		-	-	-
11b	• Screw, slotted lock washer, hex head (-28)	-	-	8

Notes:

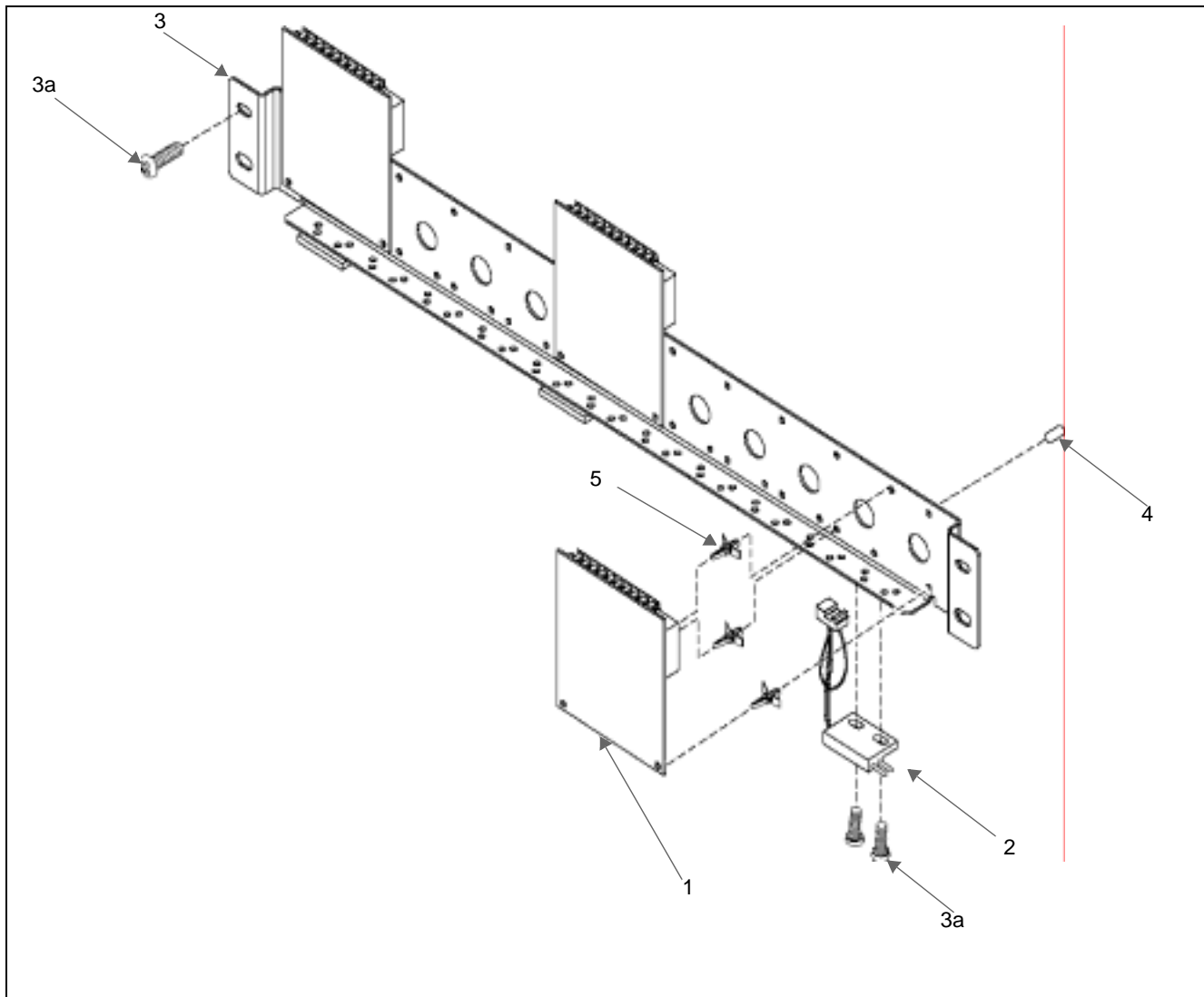
1. Monochrome Mounting bracket, nuts, spacers, along with item 2-Monochrome Display and item 4-Gasket Display Lens are a part of item 1-Monochrome Display Assembly.
2. Do not remove plastic piece off Monochrome Display. This piece is used for Rain Shield "see attached sticker on display for warning".
3. Monochrome Display M02636A001 is currently in production. This display replaces all Q13908 Series. Note: Backlight is "Always ON".
4. The jumper for video source on **Encore 500** is in position "A" and for **The Advantage** and **Encore 300** in position "B".
5. Monochrome Displays Q13908-03, Q13908-02 and Q13908-01 are no longer available.
6. When replacing item 4-Monochrome Display Lens always use item 5-Gasket Display Lens.

Key Pad Assemblies



Item #	Description	Current Part	Previous Part	Quantity
1	Manager Keypad	M00147A001	-	1
2	E-CRIND Keypad (ADA CRIND)	M00141B002	M00141B001 M00141A001	1
3	Keypad, PTS/Call/STOP	M01199B001	-	1
4	Keypad, Membrane	M02027B001	-	1
<i>Not Shown:</i>				
-	Monochrome Softkey Keypad (Not shown) (See Crind Monochrome section on page 4-4 for illustration) (Obsolete)	-	-	1
-	Cable, PTS/Call1/Call2 (Used on Keypad M01199B001)	M01215A001	-	1
-	PTS/Call1/Call2 cable (Used on Keypad M02027B001 and M01199B001)	(See note 1)	-	1
-	Mount adhesive cable (Used on Keypad M02027B001)	Q13558-04	-	1

PPU PCB Mounting Assembly



Item #	Description	Current Part	Previous Part	Quantity
1	PCA, Single PPU	M00065A001	-	(See Note 1)
2	Switch, proximity and actuator (Magnetic Reed switch)	Q12514-10	Q12514-08	(See Note 1)
3	Bracket PPU PCB mounting	-	-	-
3a	• Screw, M3.5	-	-	6
4	Snap-lock pin with arrowhead	Q10651-40	-	3
5	Mini-locking PCB Support	Q10651-43	-	9

Not Shown:

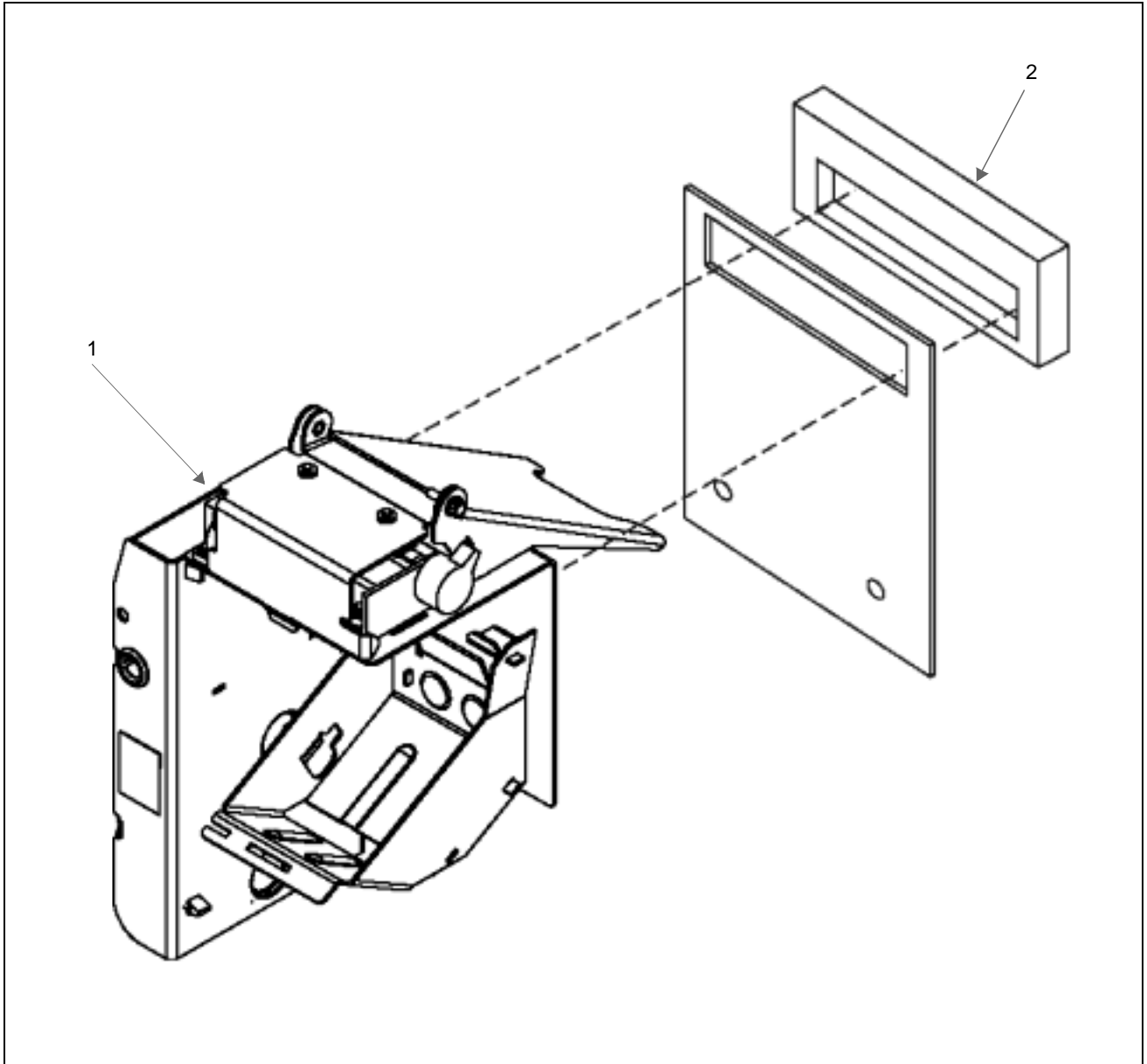
6	Cable, PPU Door (See Note 2)	-	-	1
---	------------------------------	---	---	---

Notes:

1. Quantities may vary
2. Refer to Cable Assembly section for current part number.

Printer Module Assembly

(Units built before 10/23/01)



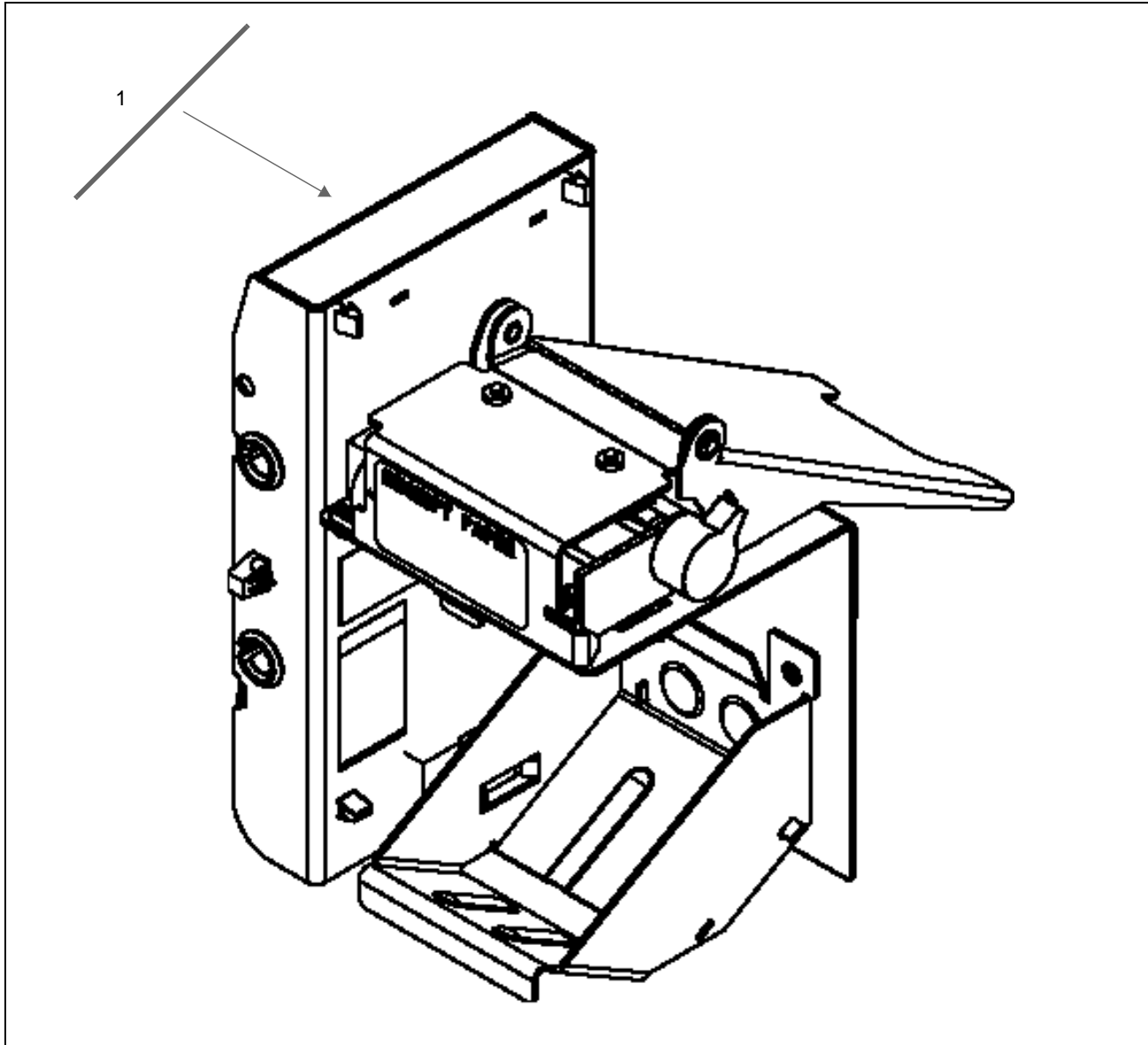
Item #	Description	Current Part	Previous Part	Quantity
1	Printer module assembly (See Note 1)	M00317A002	-	1
1a	Printer (use with round oven door M00213A001, M00213A002)	M00317A002	-	1
1b	Printer (use with TRIND oven door M01509A001)	M00317A001	-	1
2	Printer Gasket	M00772B001	-	1

Notes:

1. This assembly requires reposition of circuit board box on assembly. See MDE-3804 Encore/Eclipse Service Manual.

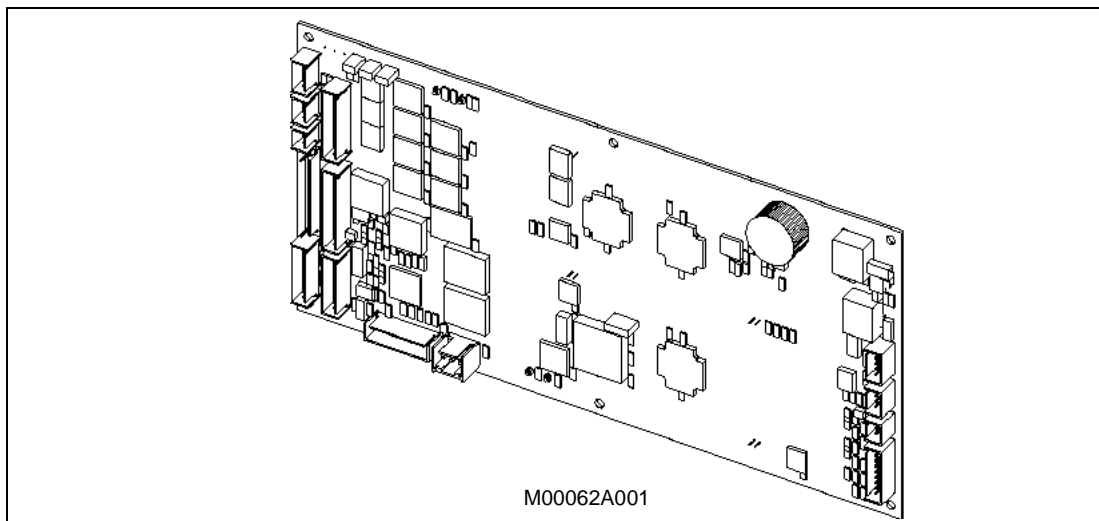
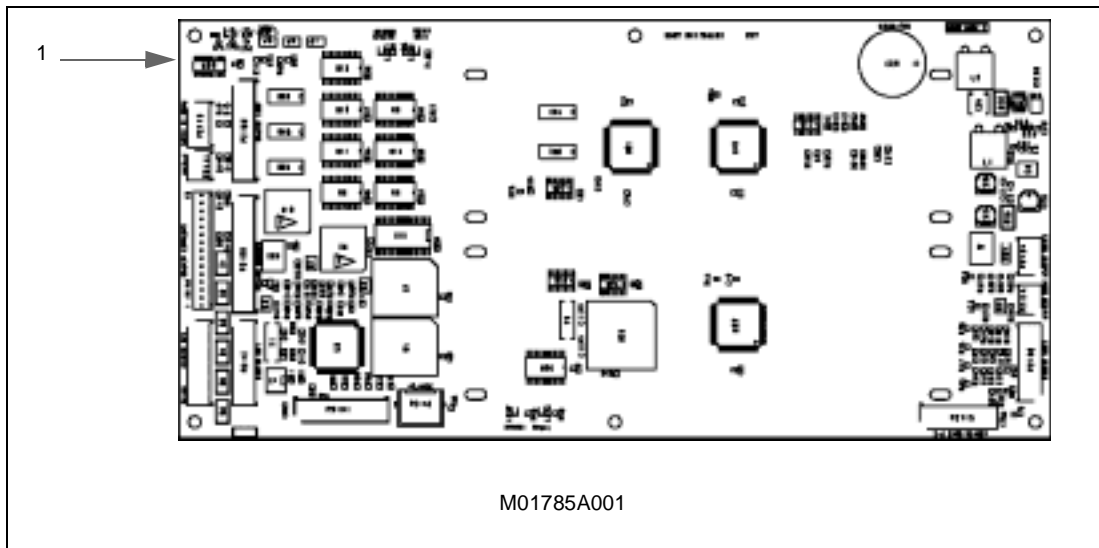
Printer Module Assembly

(Units built after 10/23/01)



Item #	Description	Current Part	Previous Part	Quantity
1	Printer module assembly	M00317A001	-	1
2	Printer Gasket (not shown)	M00772B001	-	1
<i>Not Shown:</i>				
-	Printer paper, High Speed thermal (See Note 1)	Q12475-02	-	1
-	Cleaning Card (See Note 1)	Q13400	-	1
<i>Notes:</i>				
1. Recommend to use High Speed thermal paper supplied by Fujitsu, NCR and or Wallace. For additional information refer to PT-1798 Consumables list.				

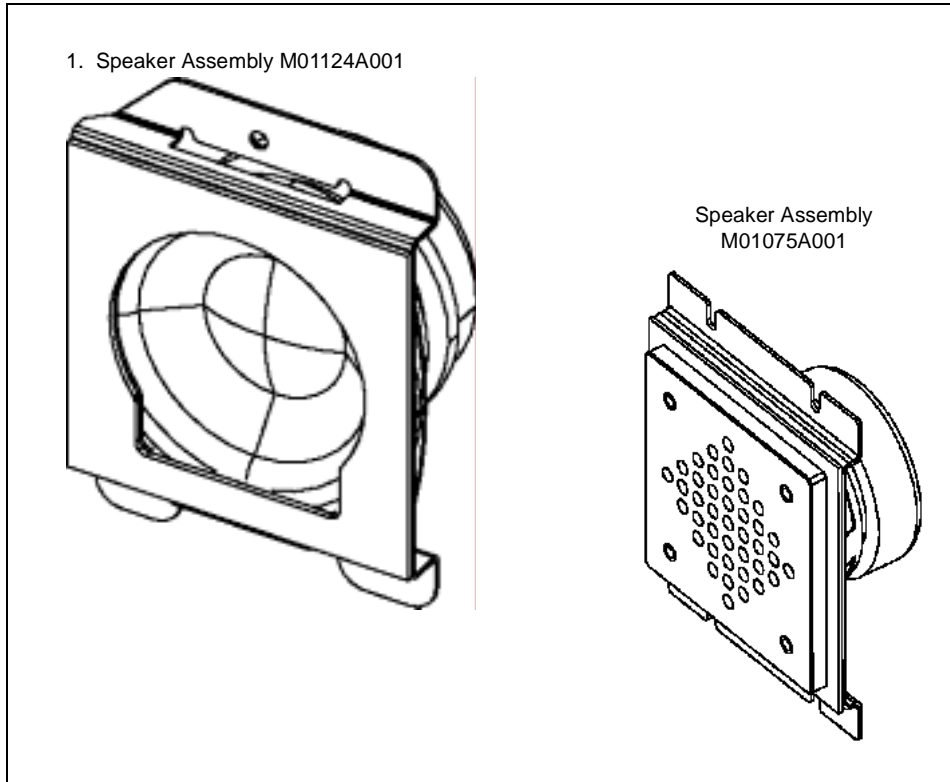
Pump Door Node



Item #	Description	Current Part	Previous Part	Quantity
1	Pump Door Node Assembly, PCB (See Note 1)	M01785A001	M00062A001	1
	• Screw, self tapping hex hd, 6-20x	-	-	4
	Lamp	Q12448-04	-	12

Notes:
 1. Pump Door Node PCB M00062A001 is interchangeable with Pump Door Node PCB M01785A001.

Speaker Assembly



Item #	Description	Current Part	Previous Part	Quantity
1	Speaker Assembly	M01124A001	M01075A001	1
-	nut, hex w/ext lock washer	-	-	4