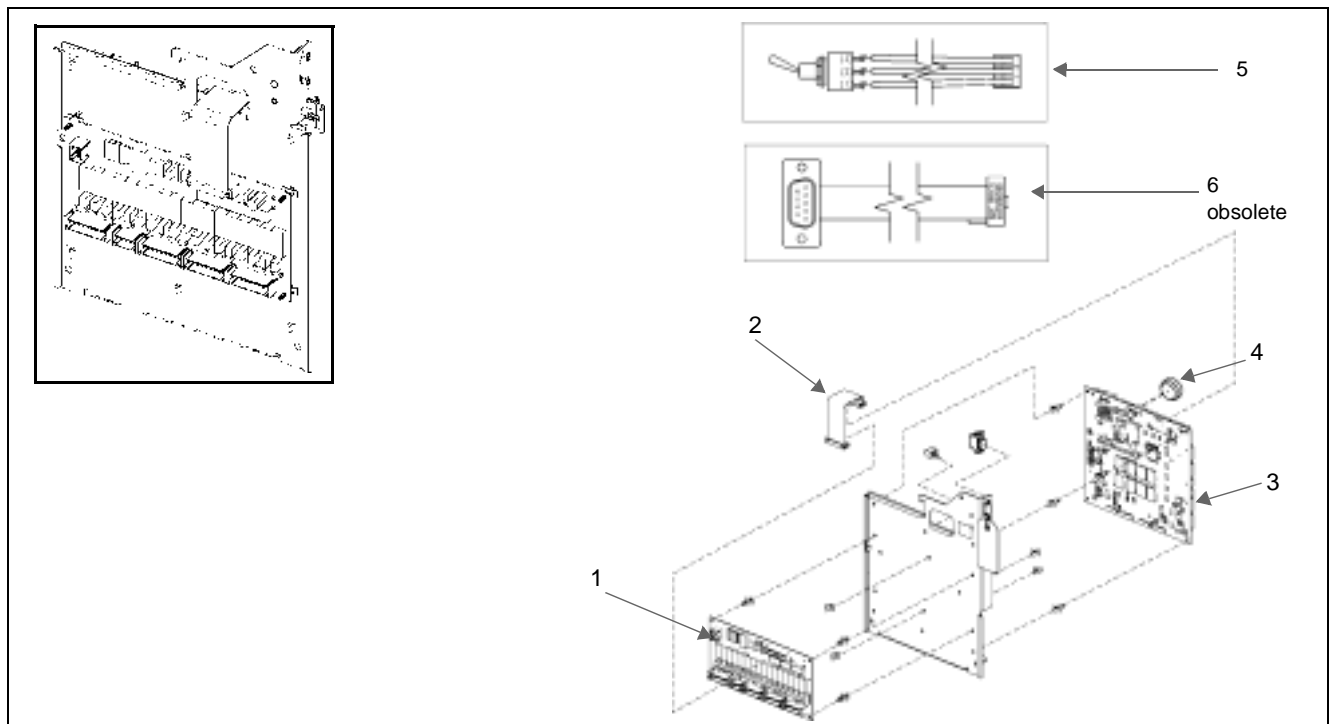


3 – CD Module Electronics Section

Base Electronics Assembly (M00459A005)

(Units built before 10/20/02)



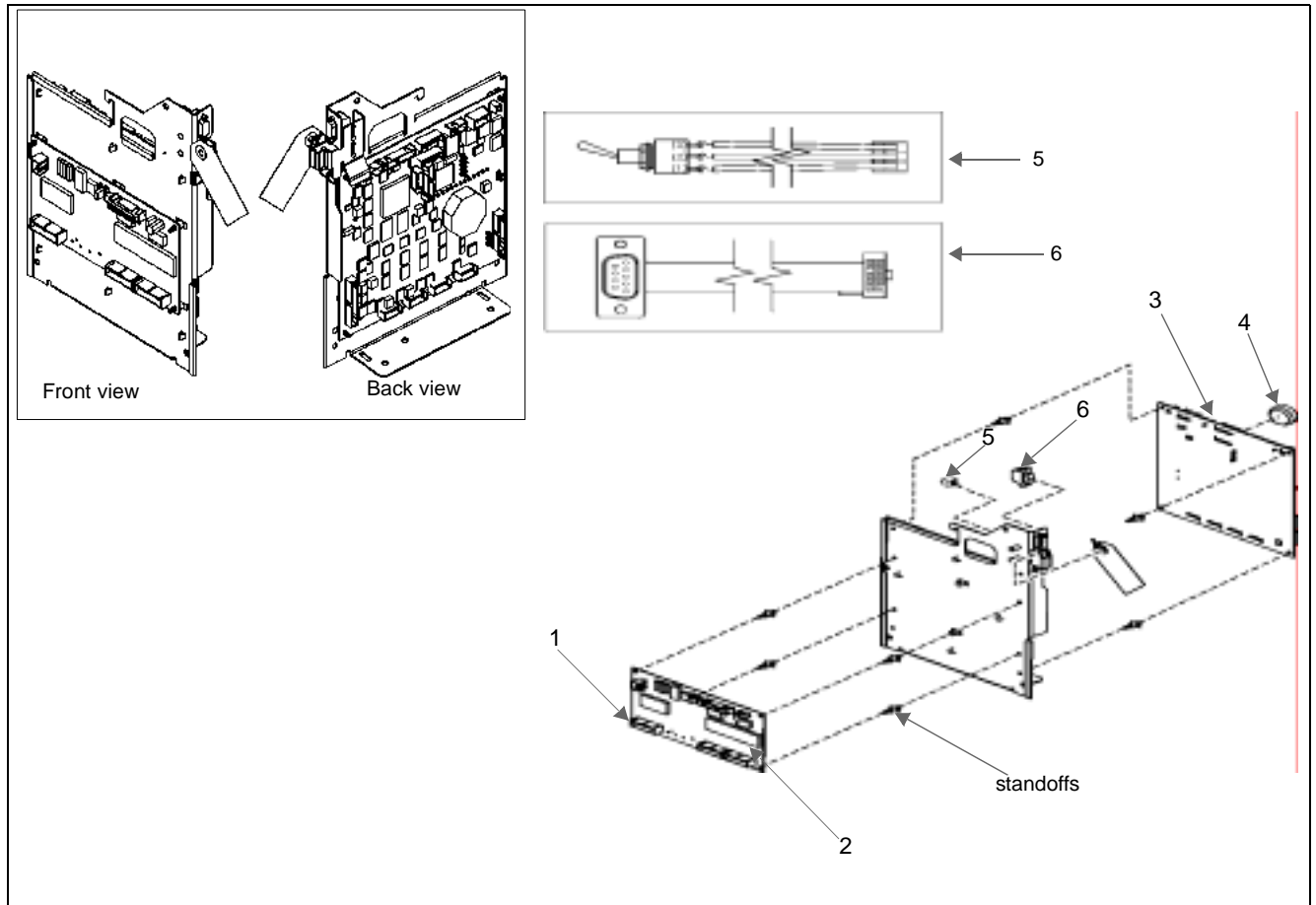
Item #	Description	Current Part	Previous Part	Quantity
Base Electronics Assembly (Reference only)		M00459A005	M00459A001	1
1	PCA valve board 18 coils	M00059A001 or M00059A002	-	1
	• plastic PCB standoff	-	-	4
	• plastic PCB spacer	-	-	2
2	Cable ribbon 26 position	M00549A001	-	1
3	PCA pump control node	M00056A001	-	1
	• Plastic PCB standoff	-	-	4
	• Plastic PCB spacer	-	-	4
4	Battery, Lithium/Non-Chg.	Q12674-01	-	1
5	Cable, E-CAL switch (See Note 1)	M00150A001	M00150A002	1
6	Cable, serial programming port (Obsolete as of 1/10/03)	-	M00719A002	1

Notes:

1. Items 5 and 6 are remotely located on Security barrier.

Base Electronics Assembly (M02278A001)

(Units built after 10/20/02)



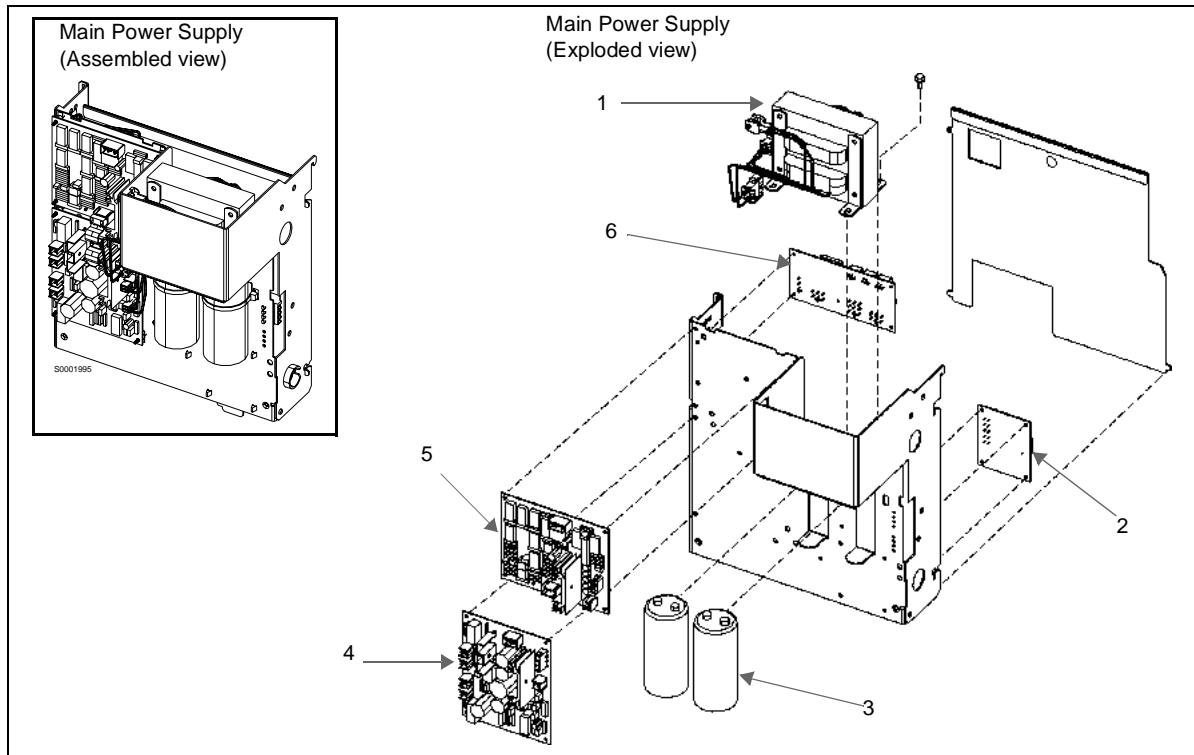
Item #	Description	Current Part	Previous Part	Quantity
Base Electronics Assembly (Reference only)		M02278A001	-	1
1	PCA (Printed Circuit Assembly) valve board 18 coils (See Note 1)	M00059A001	-	1
	• plastic PCB standoff, 1/4-inch	-	-	4
	• plastic PCB spacer, 1/4-inch	-	-	2
2	Cable Ribbon 26 Position (See Note 2)	-	-	1
3	PCA Pump Control Node 2	M01922A001	-	1
	• plastic PCB standoff, 1/4-inch	-	-	4
	• plastic PCB spacer, 1/4-inch	-	-	4
4	Battery, Lithium/Non-Chg.	Q12674-01	-	1
5	E-Cal Cable Switch (See Note 1)	M00150A001	-	1
6	Cable Serial Programming (See Note 2)	-	-	1

Notes:

1. A 12 coil version of this board exists but only the 18 coil version shown will be spared. This 18 coil board is interchangeable with the 12 coil board.
2. Refer to Cable Assemblies section for additional information.

Main Power Supply Assembly (M00458A002)

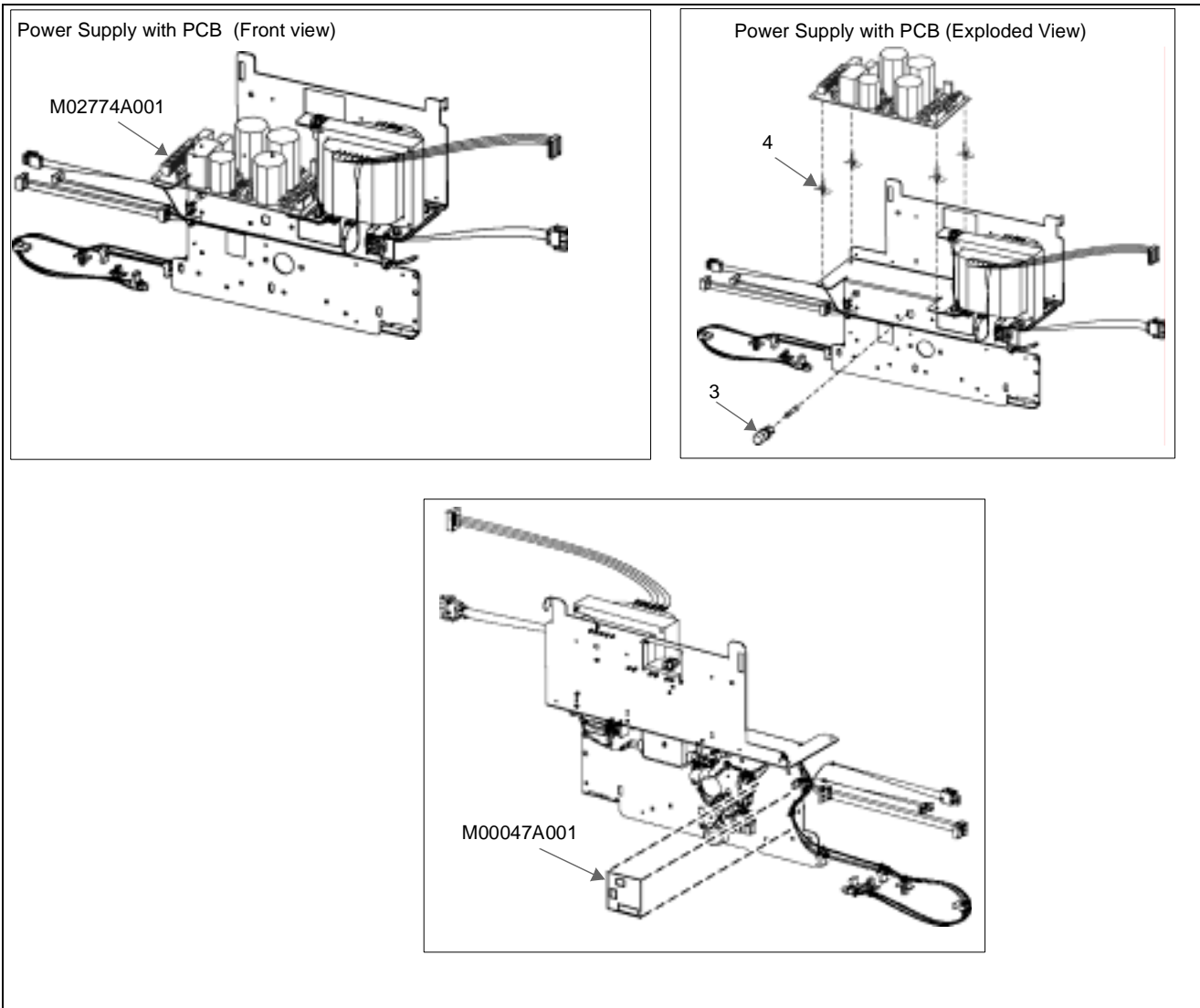
(Units built before 5/1/03)



Item #	Description	Current Part	Previous Part	Quantity
Main Power Supply Assembly (includes items 1 thru 6)		M00458A002	M00458A001	1
1	Transformer, main power supply	M00151A002	M00151A001	1
	Screw, metric thread M5 x 10	-	-	4
2	PCA STP board	M00047A001	-	1
	Plastic PCB standoff	-	-	4
3	Capacitor 47000 UF	Q10271-35	-	2
	Cable tie	Q10178-05	-	2
4	PCA, 24v power supply board	M00053A002	-	1
	Plastic PCB standoff	-	-	4
5	PCA, 18v power supply board	M00050A001	-	1
	Plastic PCB standoff	Q10651-02	-	4
6	PCA, terminal block board	M00044A001	-	1
Not Shown	Cable, Voltage Prog. Plugin 115V	M00488A115	-	1
	Cable, Voltage Prog. Plugin 220V	M00488A220	-	1
	Cable, Voltage Prog. Plugin 230V	M00488A230	-	1
	Cable, Voltage Prog. Plugin 240V	M00488A240	-	1
	Plastic PCB spacer	-	-	1

Main Power Supply Assembly (M02274A001)

(Units built after 5/1/03)

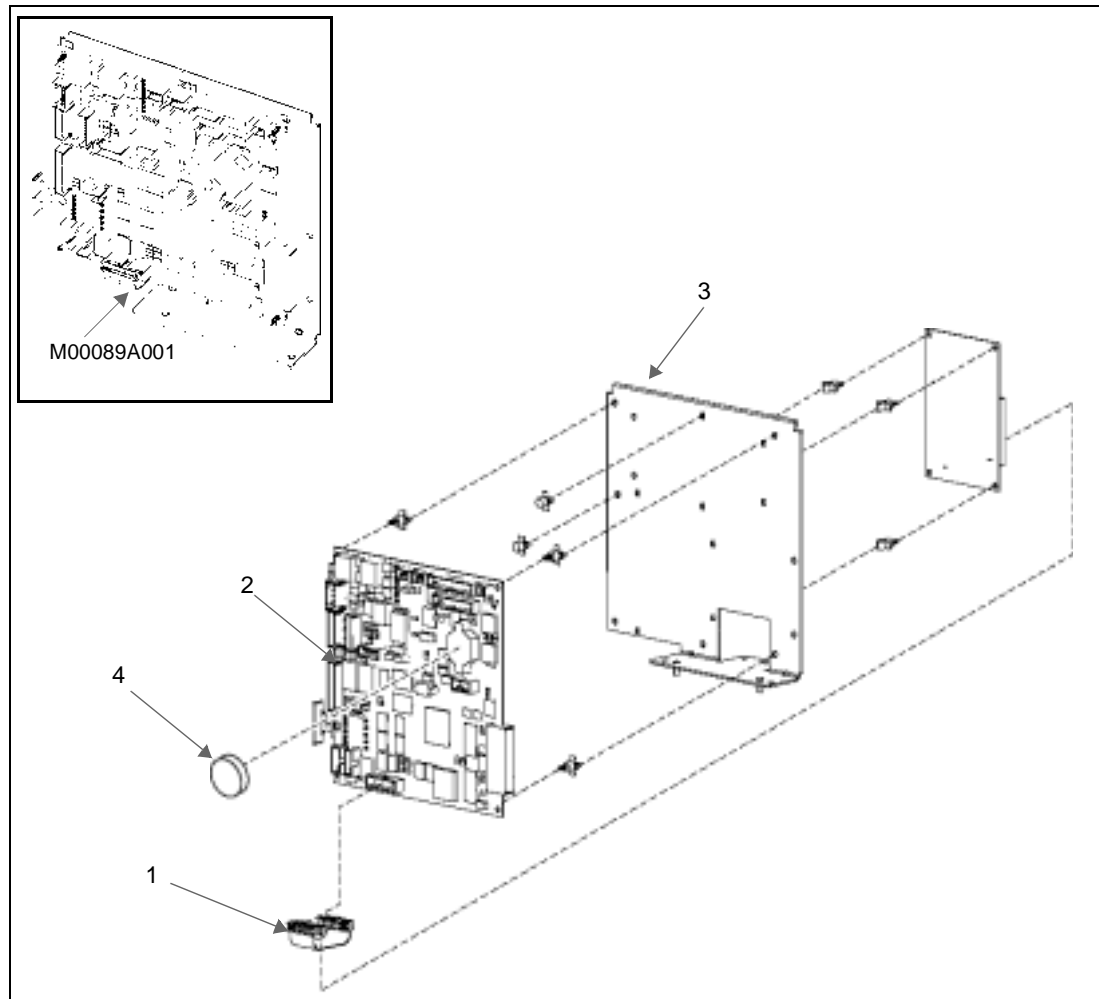


Item #	Description	Current Part	Previous Part	Quantity
Main Power Supply assembly (See Note 1)		M02274A001	-	1
1	Power Supply PCB (Printed Circuit Board) (See Notes 2 & 3)	M02774A001	-	1
2	PCA (Printed Circuit Assembly) STP (See Notes 2 & 3)	M00047A001	-	1
3	Fuse, 5 AMP, 250V	Q10131-04	-	1
4	• plastic PCB standoff, 1/4-inch	-	-	As required

Notes:
 1. This assembly will go into effect on 5/1/03. This assembly will take the place of Main Power Supply M00458 series.
 2. Until 8/29/02 Pump uses Power Supply without STP board M00047A001. Dispenser uses Power Supply without M02774A001 board.
 3. After 8/29/02 Pump uses Power Supply with M02774A001 board. Dispenser uses Power Supply with STP board M00047A001 and M02774A001 board.

Monochrome CRIND® Assembly (M00610A001)

(Units built before 10/1/02)



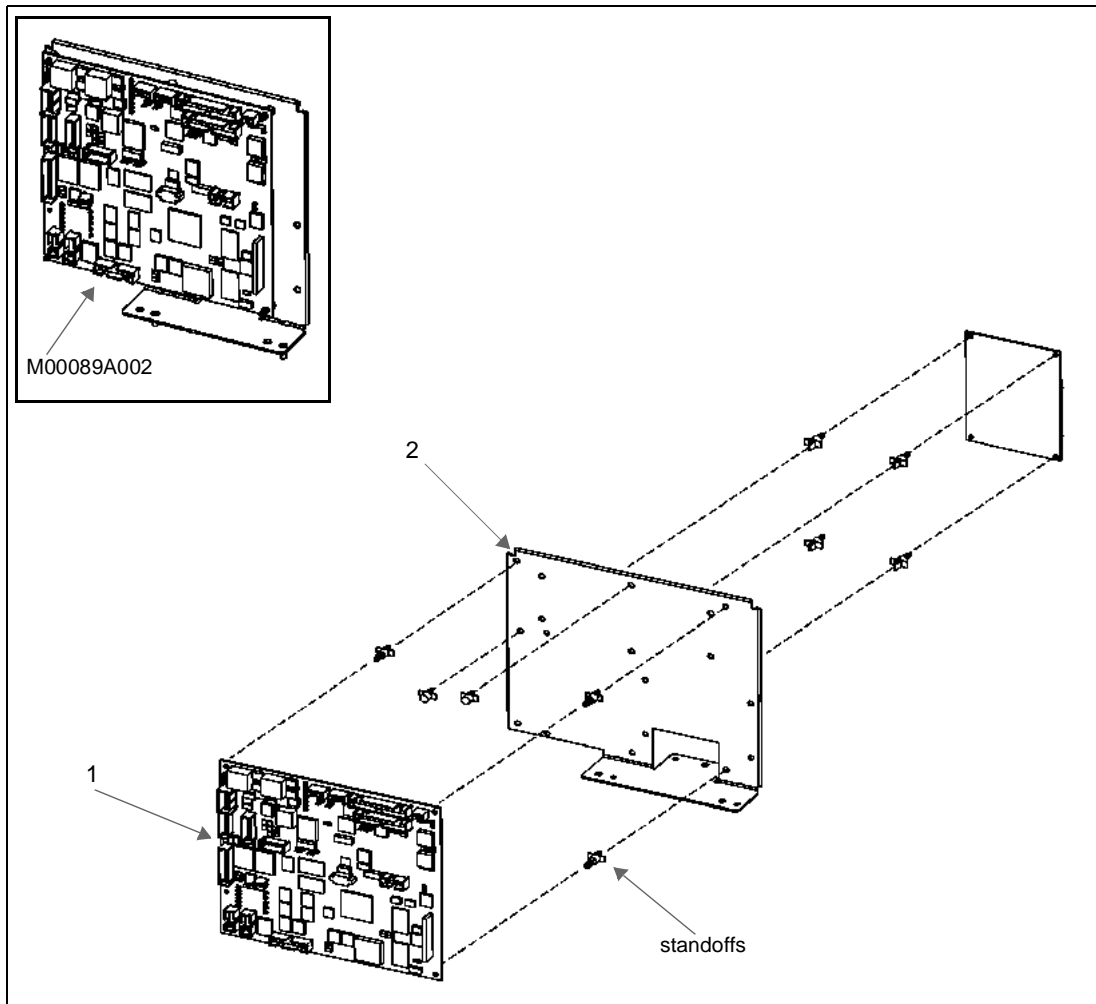
Item #	Description	Current Part	Previous Part	Quantity
	Monochrome CRIND® Assembly (Reference Only)	M00610A001	-	1
1	Cable Ribbon 20 Position (See Note 1)	-	-	1
2	PCA CRIND Control Node (See Note 2)	M00089A002	M00089A001	1
	• plastic PCB standoff, 1/4"	-	-	4
3	PCA Monochrome Interface	M00092A001	-	1
	• plastic PCB standoff, 1/4"	-	-	4
4	Battery, Lithium/Non-Chg.	Q12674-01	-	1

Notes:

1. Refer to Cable Assemblies section for additional information.
2. PCA CRIND control M00089A002 is compatible to PCA CRIND control M00089A001. If available warranty should use M00089A001R instead of the new M00089A002.
If PCA CRIND Control Node PCA fails, replace with M01753A001 and disconnect item 4, M00092A001. Use appropriate size standoffs when ready to install PCA M00092A001.

Monochrome CRIND® Assembly (M00610A001)

(Units built after 10/1/02) (Replaced by M02276A001)

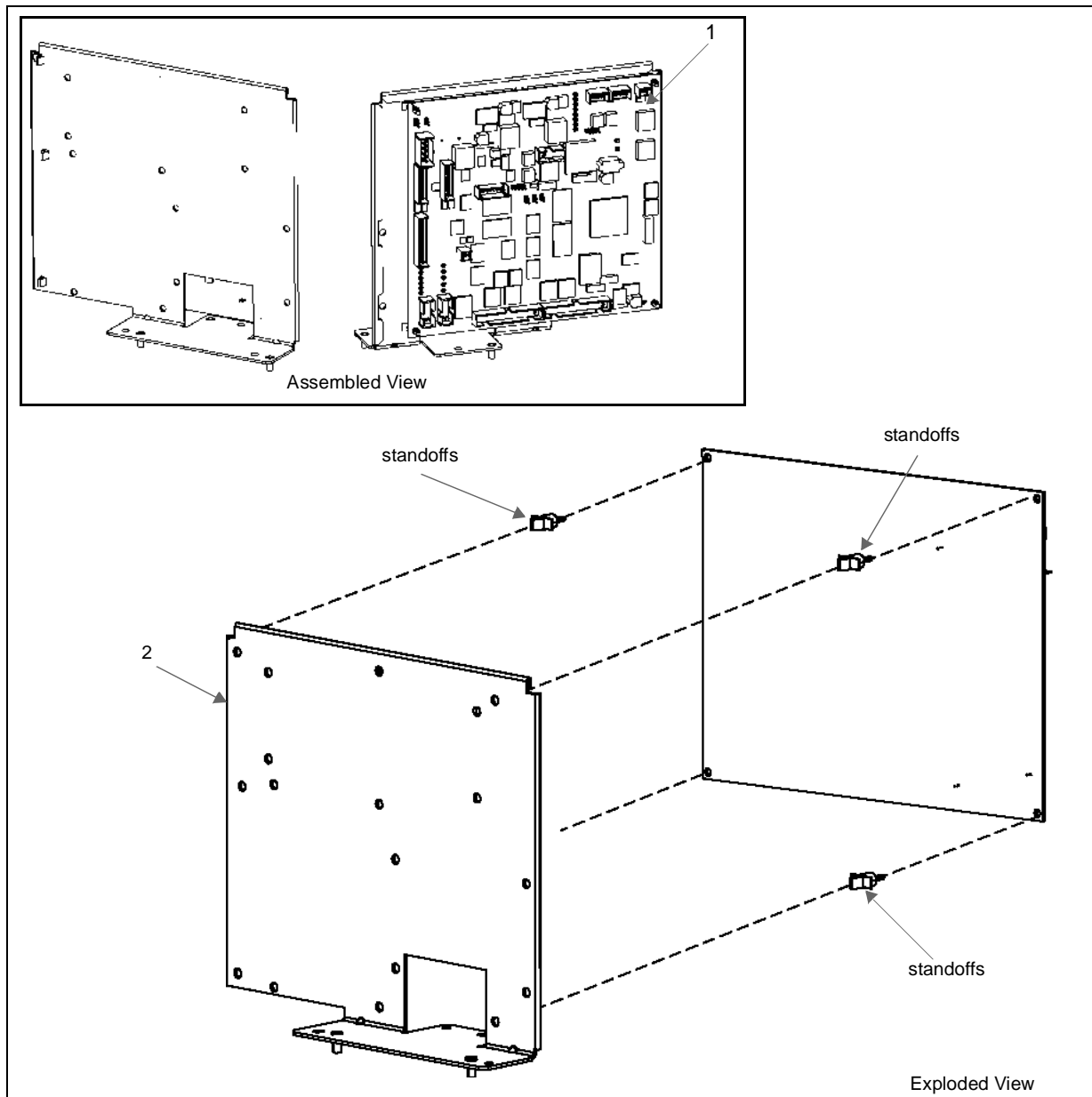


Item #	Description	Current Part	Previous Part	Quantity
Monochrome CRIND® Assembly (Reference Only)		M00610A001	-	1
1	PCA CRIND Control Node (See Note 1)	M00089A002	M00089A001	1
	• plastic PCB standoff, 1/4"	-	-	4
2	PCA Monochrome Interface	M00092A001	-	1
	• plastic PCB standoff, 1/4"	-	-	4
Not shown:				
-	Monochrome Interface Cable (See Note 2)	-	-	1
-	Battery, Lithium/Non-Chg.	Q12674-01	-	1

Notes:

1. PCA CRIND control M00089A002 is compatible to PCA CRIND control M00089A001. If available warranty should use M00089A001R instead of the new M00089A002.
If PCA CRIND Control Node PCA fails, replace with M01753A001 and disconnect item 2, M00092A001. Use appropriate size standoffs when ready to install PCA M00092A001.
2. Refer to Cable Assemblies section for additional information.

Monochrome CRIND® Assembly (M02276A001)



Item #	Description	Current Part	Previous Part	Quantity
Monochrome CRIND® Assembly (Reference Only)		M02276A001	M00610A001	1
1	PCA CRIND Control Node 2 (See Note 2)	M01753A001	-	1
	• plastic PCB standoff, 1/4"	-	-	2
2	PCB Mounting Bracket	M00291A001	-	1
	• plastic PCB standoff, 1/4"	-	-	4
Not Shown:				
3	Battery, Lithium/Non-Chg. (not shown)	Q12674-01	-	1