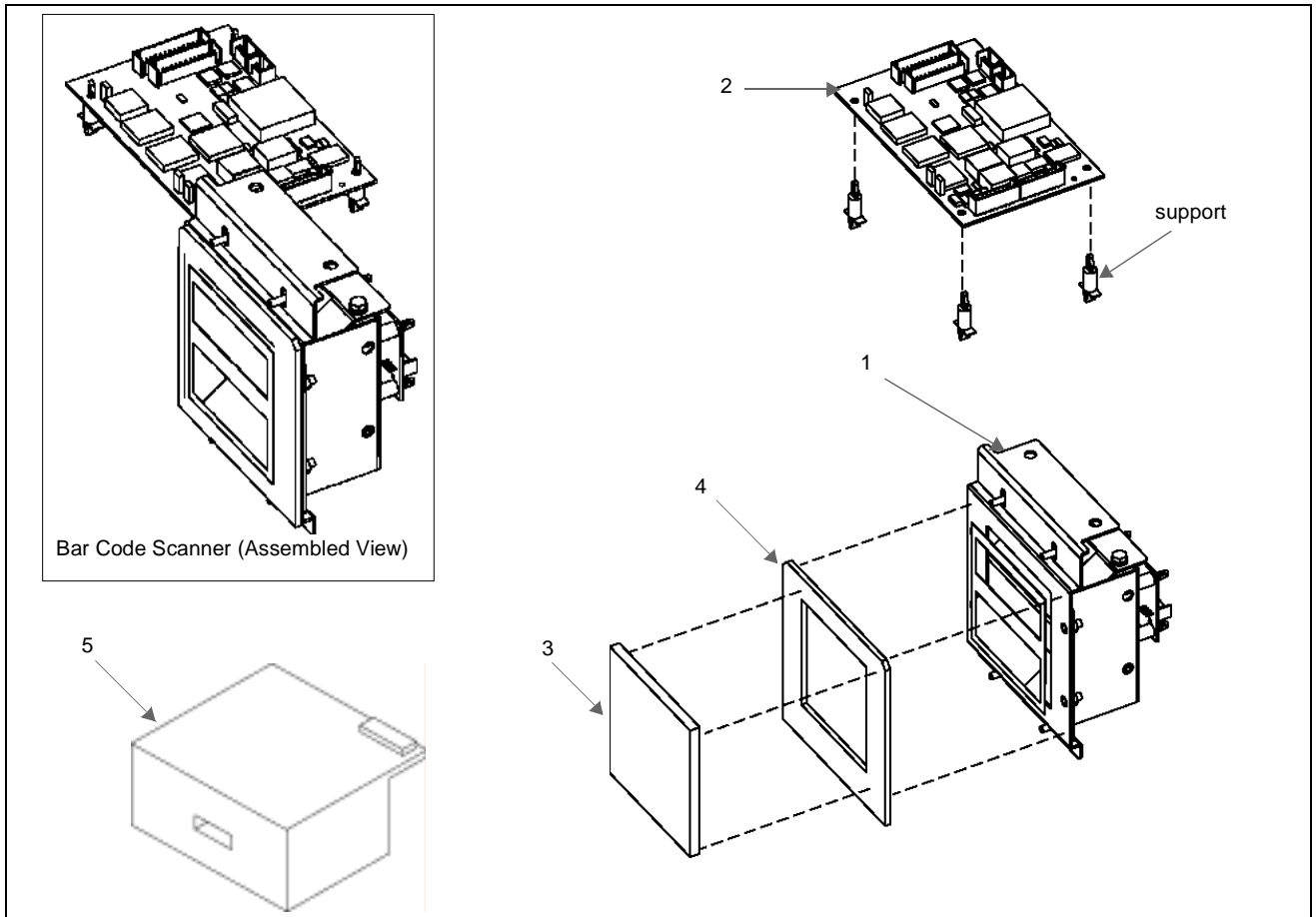


13 – Options Section

Barcode Scanner Assembly



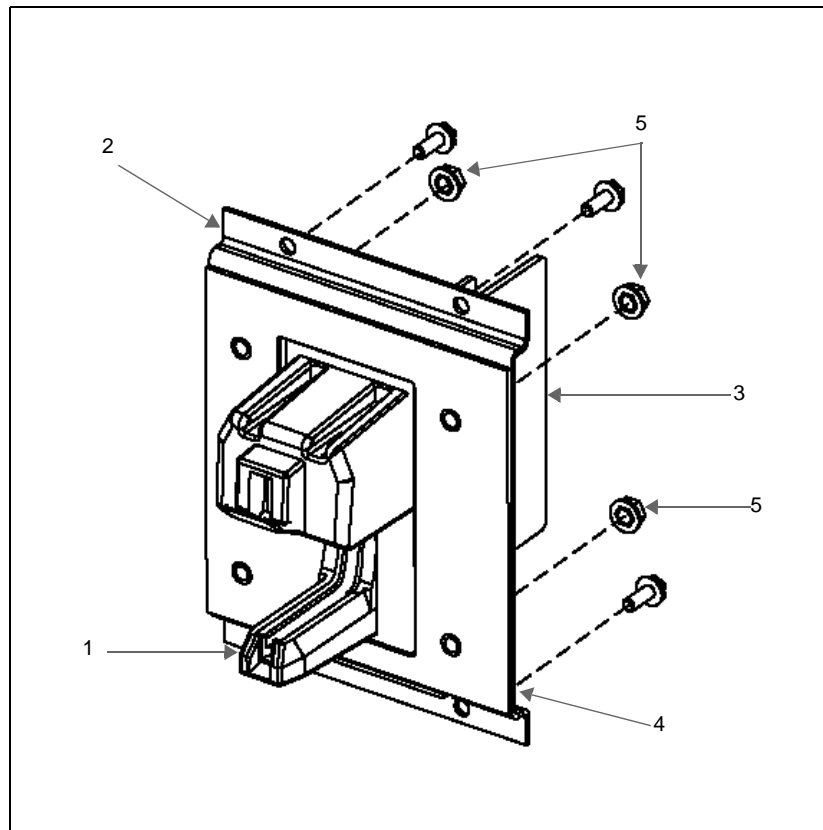
Item #	Description	Current Part	Previous Part	Quantity
Barcode Scanner Assembly (See Note 1)		M00969A001	-	1
1	Scanner Mounting Bracket	M0093B001	-	1
-	• Screw, metric sems m2 x 6	Q12845-05	-	2
2	PCA Barcode Scanner interface	M01323A001	-	1
-	• Support	Q10651-04	-	4
3	Retainer Scanner lens	M00982B002	-	1
4	Gasket	M00988B002	-	3
5	Barcode Scanner engine	M01304A001	-	1
<i>Not Shown:</i>				
6	Barcode Scanner cable	(See Note 2)	-	1

Item #	Description	Current Part	Previous Part	Quantity
7	Label, Danger (See Note 3)	M02994BXXX	N23954-01	1
8	Label, Warning (See Note 3)	M02994BXXX	N23953-01	1
9	Label, Certification FDA standard (See Note 3)	M02994BXXX	N23952-01	1

Notes:

1. Barcode Scanner assembly M00969A001 include Items 1 thru 10.
2. See Cable Assemblies section for additional information.
3. Attach Label(s) after assembly is complete. For help with ordering part(s), contact Gilbarco's Customer Service Department.

Card Reader Option

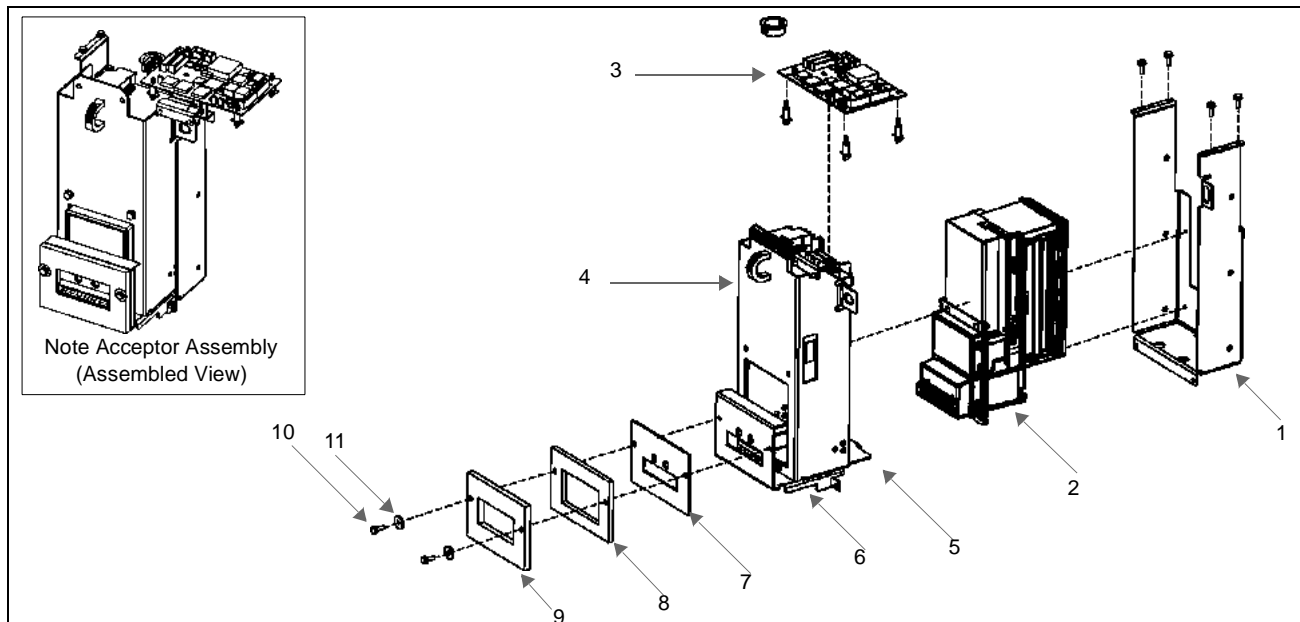


Item #	Description	Current Part	Previous Part	Quantity
Card Reader Assembly (See Note 1)		M00839A001	-	1
1	Bezel, Card Reader	M00232A001	-	1
2	Vertical Bracket, Card Reader	M00231B001	-	1
3	Dual Head Card Reader	M02136B001	-	1
4	Gasket, Card Reader	M00282B001	-	1
5	• Nut, metric hex lock flange m4	-	-	1

Notes:

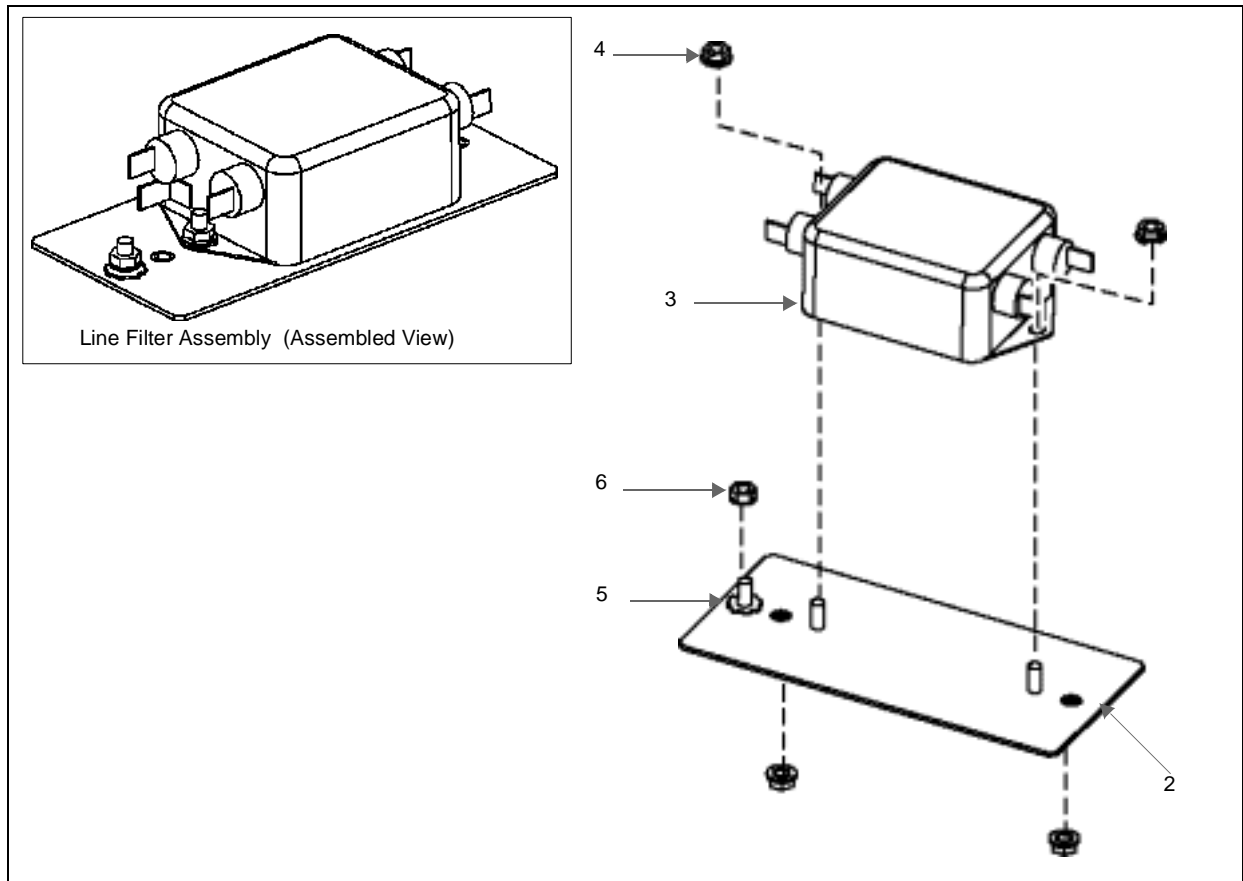
1. Card Reader Assembly include items 1 thru 5.

Note Acceptor Assembly



Item #	Description	Current Part	Previous Part	Quantity
Note Acceptor Assembly (See Note 1)		M01403A001	-	1
1	Cash Acceptor Mounting Bracket	M01392A001	-	1
2	Note Acceptor Face Plate Bracket	M02057A001	-	1
3	PCA, Serial - Lon Gateway	M00122A001	-	1
4	Door Handle Pull	M01398B001	-	1
5	Note Acceptor Hinge and Gasket Bracket	M02072B001	-	1
6	Cash Acceptor Guide Gasket	M02223B001	-	1
7	Note Acceptor Bezel Face	M02076B001	-	1
8	Note Acceptor Inner Bezel	M02077B001	-	1
9	Note Acceptor Bezel Face	M02078B001	-	1
10	• Screw, hex hd m4 x 12	-	-	6
11	• Washer	-	-	
<i>Not Shown</i>				
12	Hinge Door Leaf	M01396B001	-	1
13	• Screw, hex hd m5 x 10	-	-	6
14	Note Acceptor with 300 Bill Acceptor	M01251A002	-	1
	• Note Acceptor MARS	M01251B001	-	1
	• Cassette, 500 Bill, LRU	M01251B003	-	1
Notes:				
1. Note Acceptor assembly M01403A001 include items 1 thru 14.				

Note Acceptor Electronics (Line Filter Assembly)



Item #	Description	Current Part	Previous Part	Quantity
Note Acceptor Electronics (See Note 1)		-	-	1
1	Line Filter Assembly	M02408A001	-	1
2	Bracket, Line Filter Mounting	M02407A001	-	1
3	Filter, EMI 6 AMP	Q10895-07	-	2
4	• Nut, metric hex lock m4	-	-	2
5	• Washer, Lk Ext Th #08 x .020	-	-	1
6	• Nut, metric hex w/ext m4	-	-	1
<i>Not shown</i>				
7	Cable, Cash Acceptor Lining	(See Note 2)	-	1
8	Cable, Cash Acceptor	(See Note 2)	-	1
Notes: 1. Note Acceptor Electronics include items 1 thru 8. 2. Refer to Cable Assemblies section for additional information.				