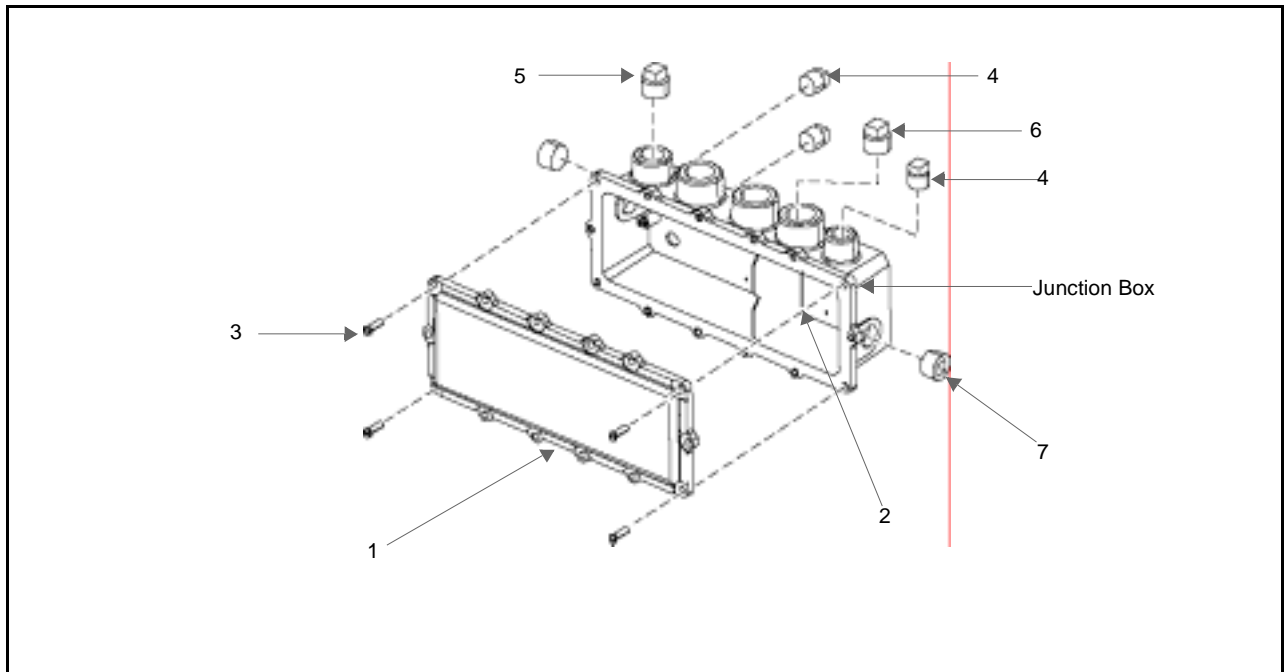


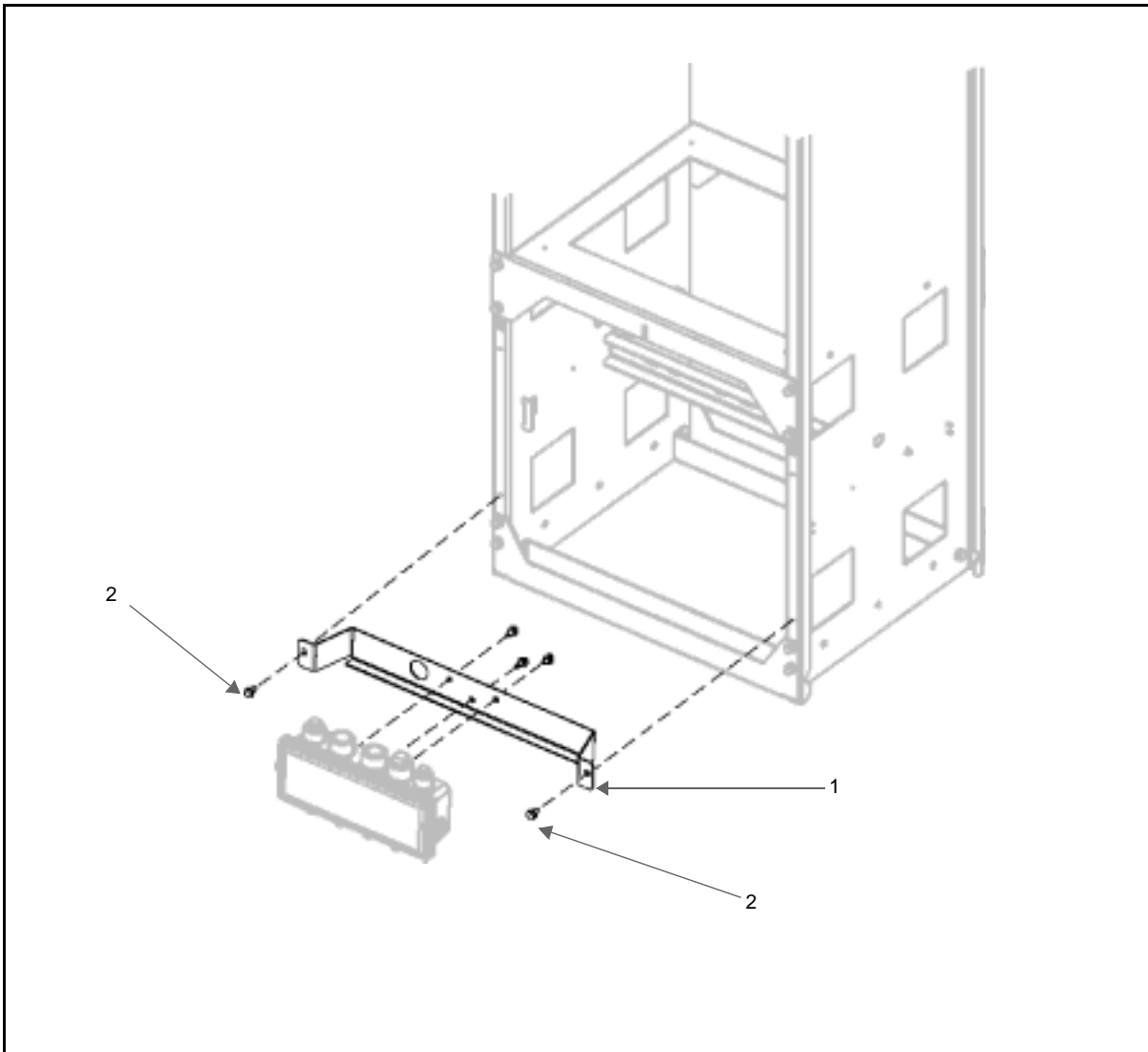
11 – Junction Box and Conduit Section

Junction Box (M00612A001)



Item #	Description	Current Part	Previous Part	Quantity
Junction Box (includes items 1 thru 7)		M00612A001	-	1
Junction Box (with speaker conduit) (includes items 1 thru 5)		M00612A002	-	1
1	Junction Box Cover	W02814-10	-	1
2	Junction Box Bracket (See Note 1)	M00607B001	-	1
3	Bolt, hex hd 1/4 - 20 x 3/4"	-	-	20
4	Plug pipe square hd 1/2"	K02281	-	3
5	Plug pipe square hd 3/4"	K02282	-	18
6	Plug pipe square hd 1"	K02283	-	1
7	Plug pipe 3/4"	K57624	-	2
Notes: 1. Item 2, Junction Box Bracket M00607B001 is used ONLY on Junction Box Assembly M00612A002.				

Junction Box Bracket

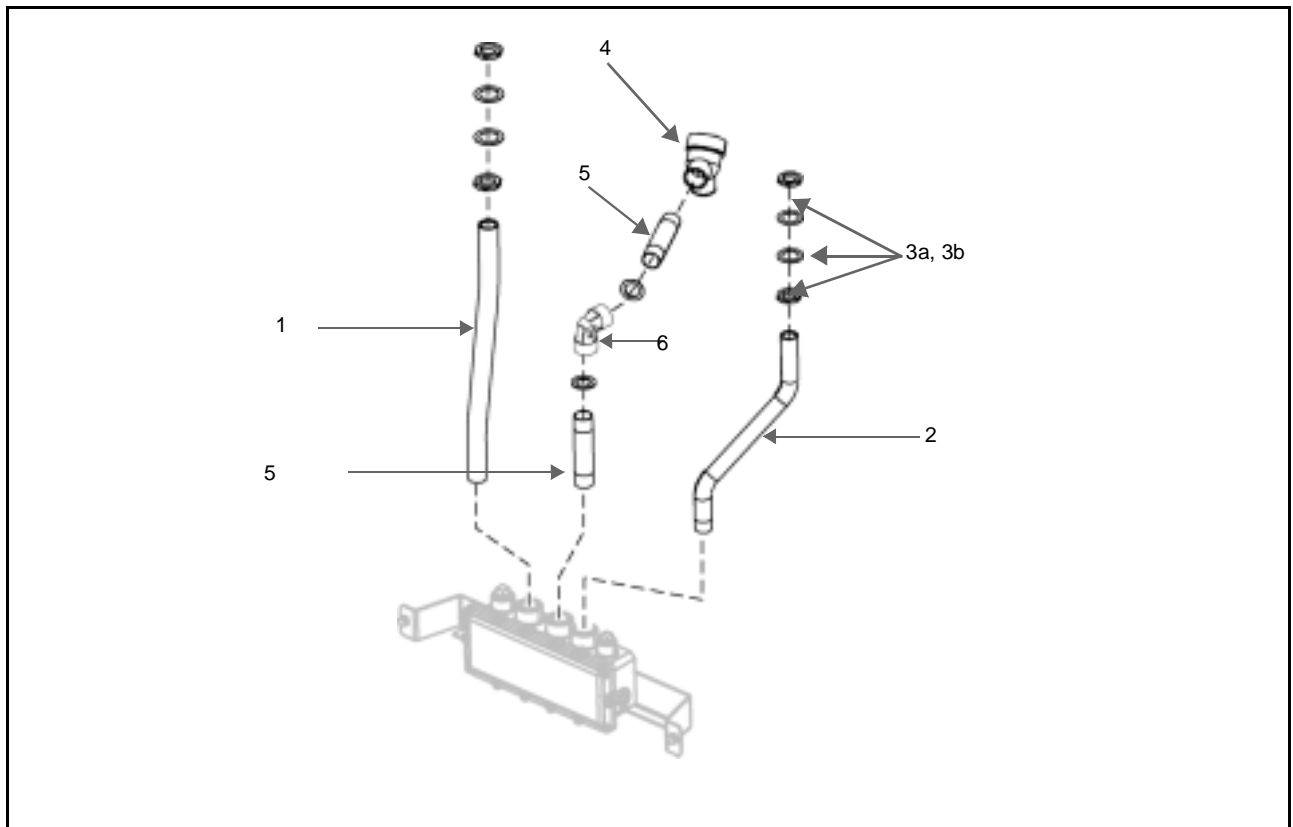


Item #	Description	Current Part	Previous Part	Quantity
1	Junction box mounting bracket	M00607B001	-	1
2	• Screw, metric M8 x 18 (See Note 1)	-	-	5

Notes:

1. Refer to kit K96620 01 to replace screws.

Conduit Assembly



Item #	Description	Current Part	Previous Part	Quantity
1	Conduit & cable assembly (See Note 1)	M01003A002	-	1
2	Conduit & cable assembly (See Note 2)	M01003A004	-	1
3a	• Washer	-	-	4
3b	• Nut	-	-	4
4	Elbow Capped Y	Q12730-01	-	1
5	Conduit Nipple 5-1/2"	R11978-04	-	2
6	Elbow conduit	K87869	-	1

Notes:

- Item 1 Conduit assembly M01003A002 is used on both Junction Box Assemblies M00612A001 and M00612A002.
- Item 2 Conduit assembly M01003A004 is used ONLY on Junction Box Assembly M00612A002.