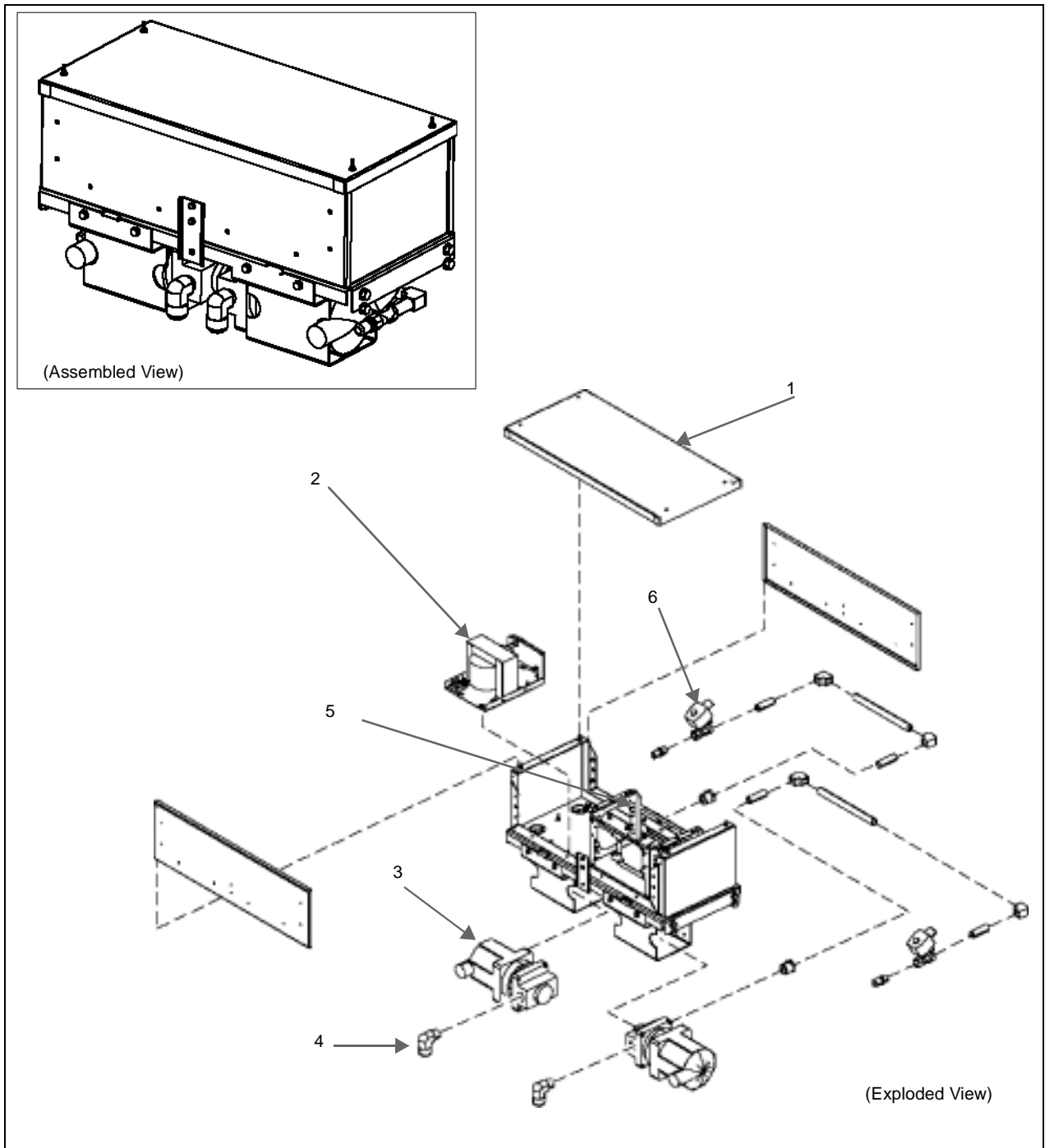


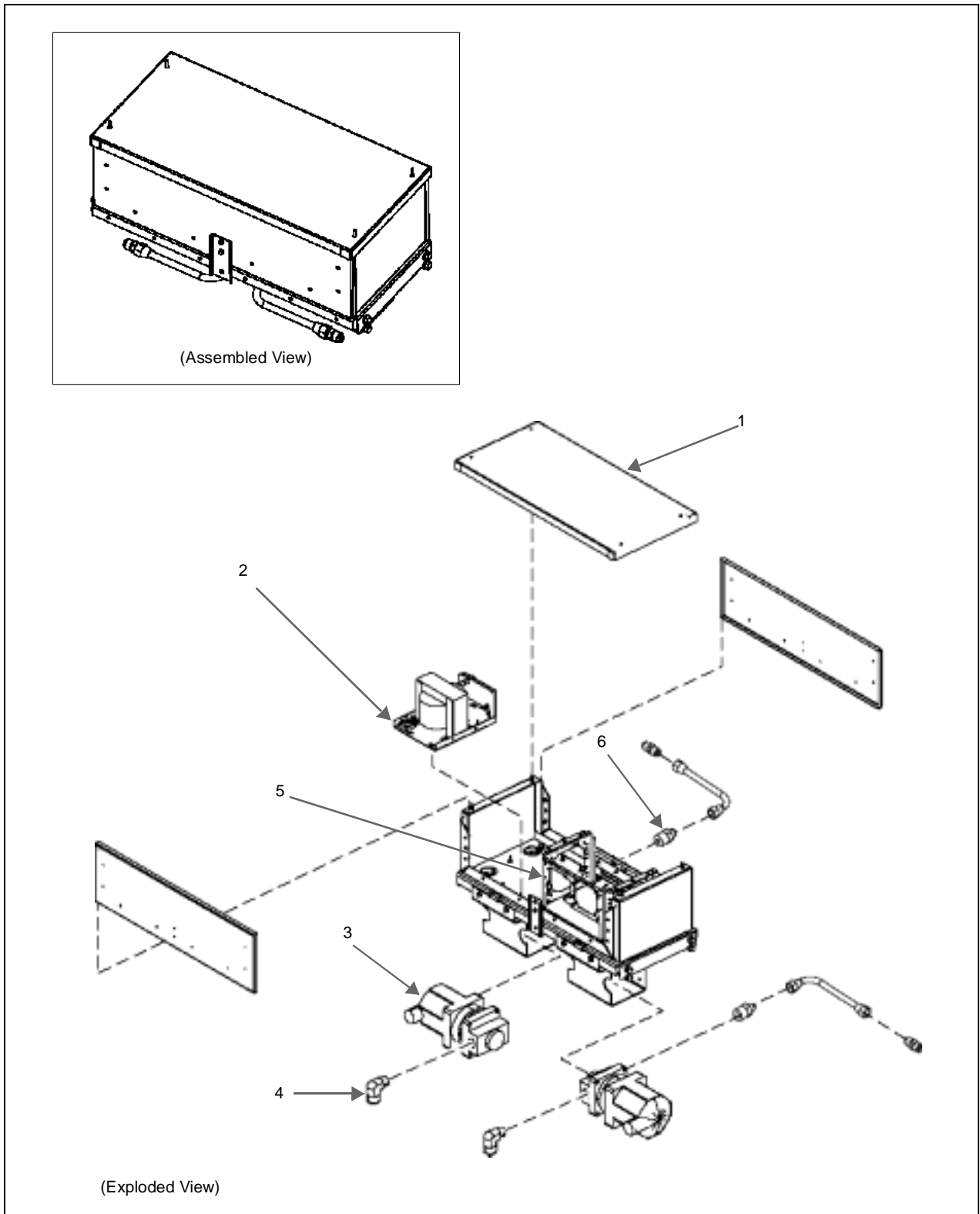
10 – VaporVac Section

VaporVac Module Assembly with Vapor Valves



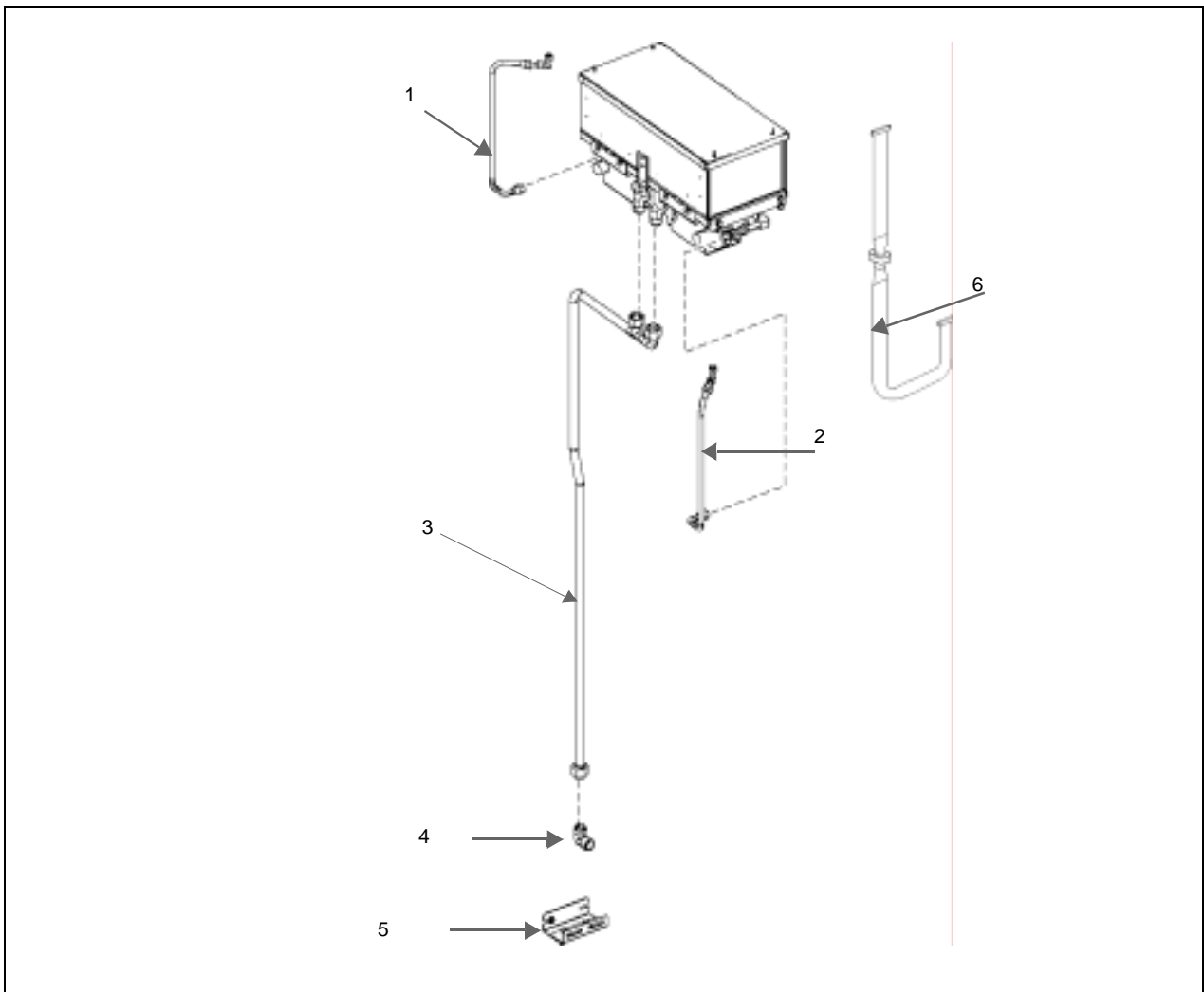
Item #	Description	Current Part	Previous Part	Quantity
VaporVac Module Assembly with Vapor Valves (includes items 1 thru 6)		M01062A001	-	1
1	VaporVac Box top	M00598B001	-	1
2	Power Supply Assembly	T18162-G3	-	1
3	VaporVac Pump Assembly	R19663-G1	-	1
4	Elbow 90 Flare male pipe 3/4"	K76203	-	2
5	VaporVac Card Cage Assembly	M01061A001	-	1
6	Valve solenoid - 3/8" npt	T17909	-	2
<i>Notes:</i> 1. Refer to Cable section for list of all VaporVac cables and CD Module section for card cage and all boards.				

VaporVac Module Assembly less Vapor Valves



Item #	Description	Current Part	Previous Part	Quantity
VaporVac Module Assembly less Vapor Valves (includes items 1 thru 6)		M01062A002	-	1
1	VaporVac Box top	M00598B001	-	1
2	Power Supply Assembly	T18162-G3	-	1
3	VaporVac Pump Assembly	R19663-G1	-	1
4	Elbow 90 Flare male pipe 3/4"	K76203	-	2
5	VaporVac Card Cage Assembly	M01061A002	-	1
6	Valve solenoid - 3/8" npt	T17909	-	2
<i>Notes:</i> 1. Refer to Cable section for list of all VaporVac cables and CD Module section for Card Cage and all boards.				

VaporVac Assembly with Tubes

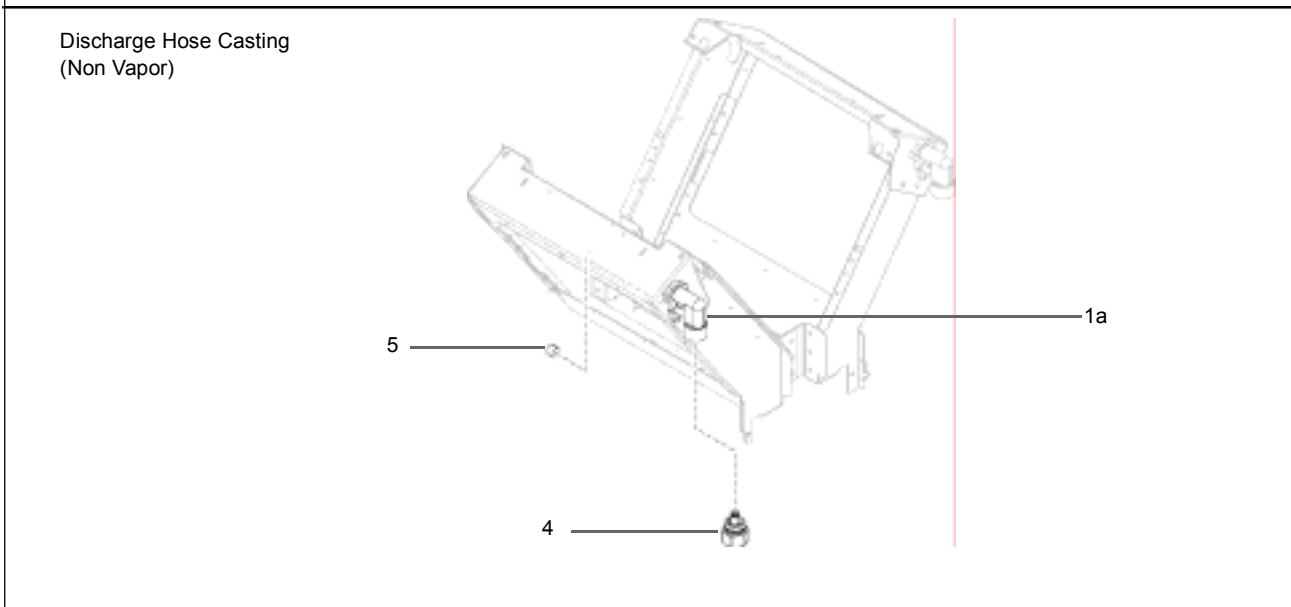
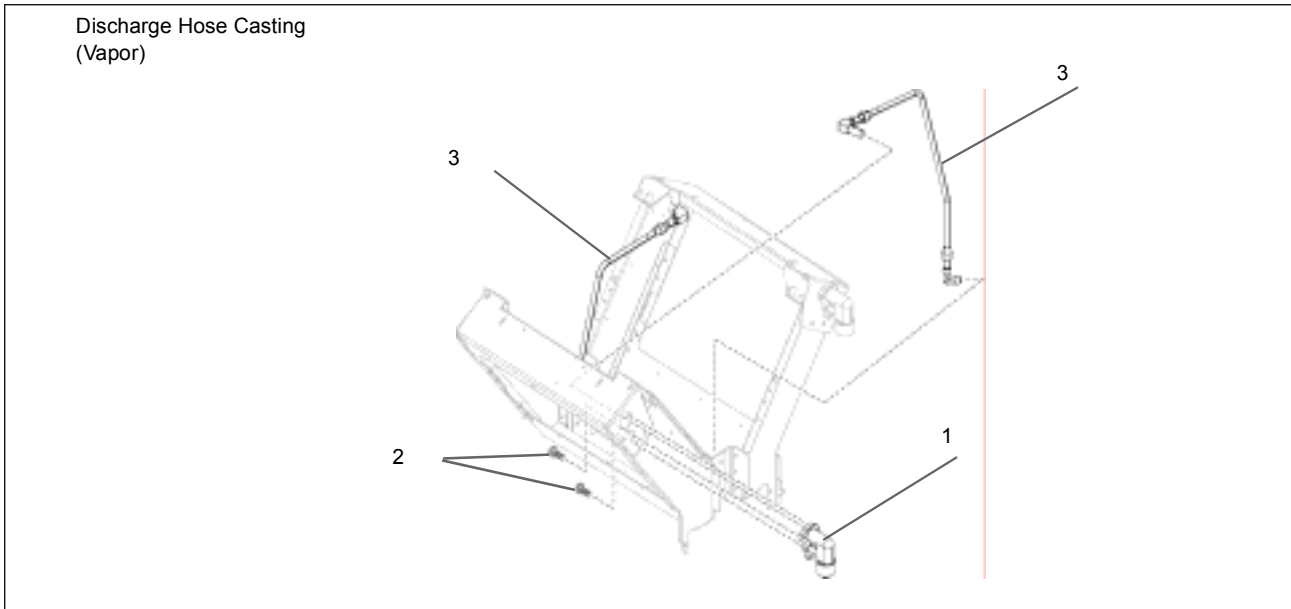


Item #	Description	Current Part	Previous Part	Quantity
1	Tube Assembly (right)	M01038B003	-	1
2	Tube Assembly (left)	M01039A002	-	1
3	VaporVac Discharge Tube Assembly	M01045B001	-	1
4	Elbow	Q10987-01	-	1
5	Bracket Assembly, Vapor	M00657A001	-	1
6	Conduit and Cable Assembly (See Note 1)	-	-	1
	• Conduit Vapor Barrier Adapter	M01053B002	-	1
	• O-ring	-	-	1
	• Washer	-	-	1
	• Nut	-	-	1

Notes:

1. See Cable Assembly section for item 6, Conduit and Cable Assembly part number.

VaporVac Casting and Piping



Item #	Description	Current Part	Previous Part	Quantity
1	Discharge Hose Casting (Vapor Vac)	M00198B010	-	1
1a	Discharge Hose Casting, (Non Vapor Vac)	M00198B020	-	1
2	• Screw, m8 x 18 (See Note 1)	-	-	3 per casting
3	Piping	M01038A002	-	2

Notes:

1. Use metric hardware kit K96620 01 (includes screws, nuts, bolts) to replace fasteners.
2. All Eclipse units are shipped with VaporVac Ready outlet castings. If an outlet casting needs to be made into a non-vapor outlet casting, use item 4, M00896A001 Adapter to convert it.