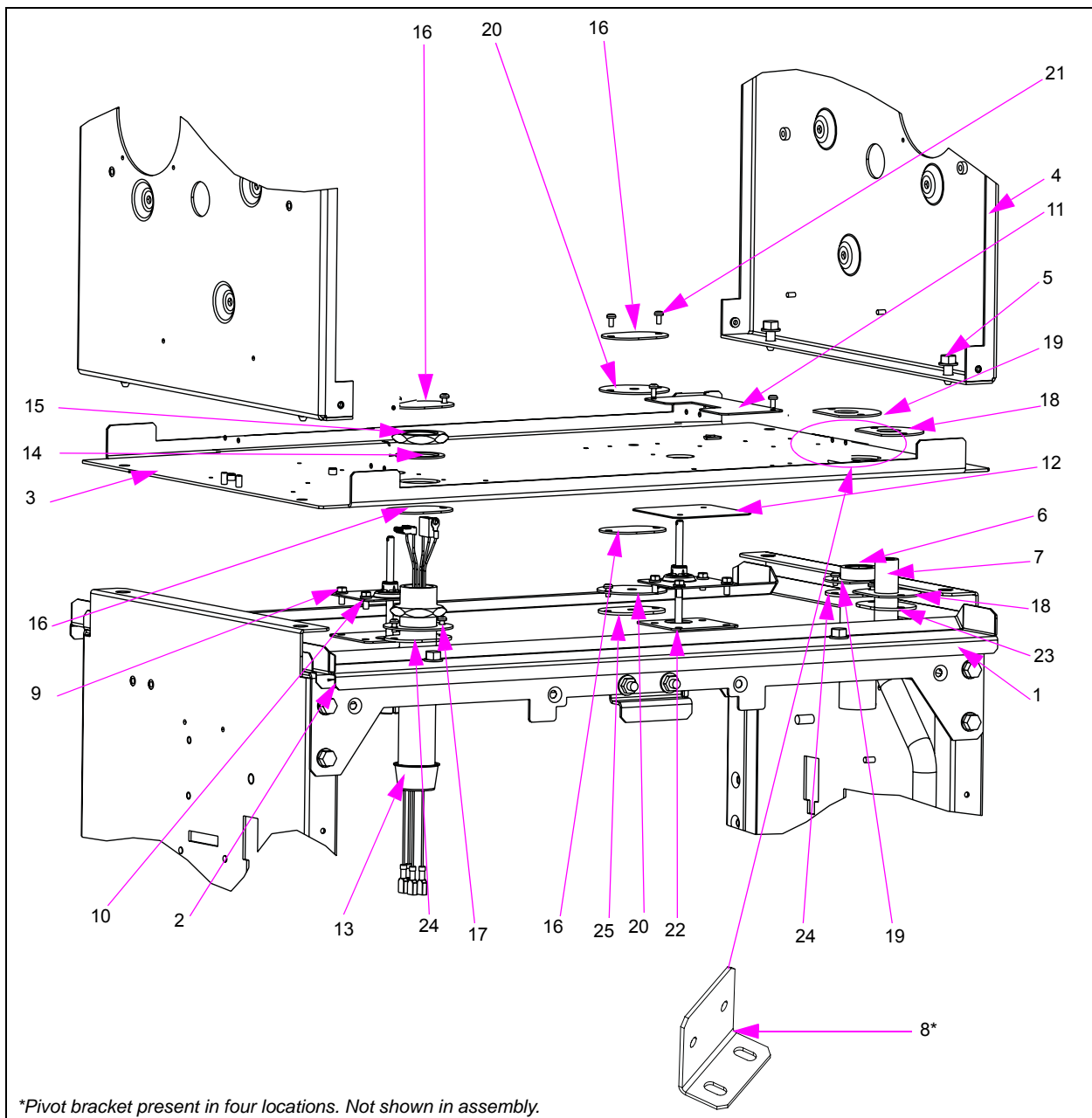


# 9 – Air Gap - 8800, 9100, 9840, 9852/53

## Air Gap Hardware and Computer Display (CD) Module Housing

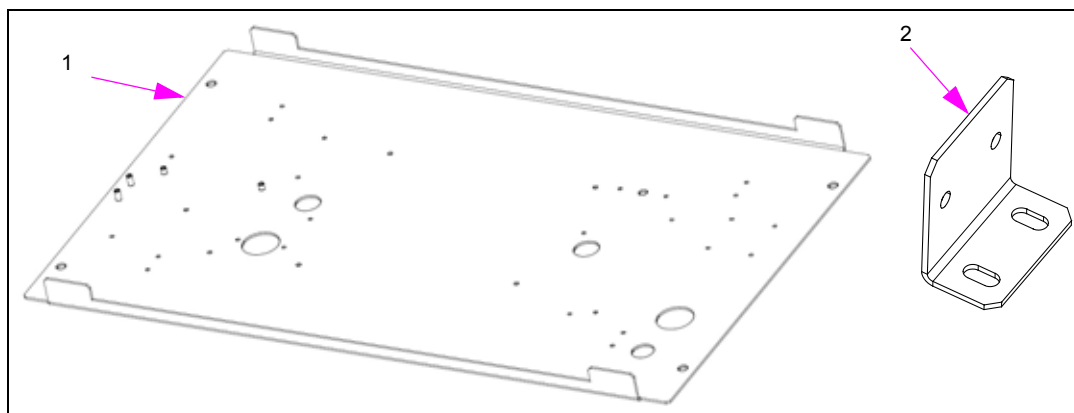


\*Pivot bracket present in four locations. Not shown in assembly.

Item #	Description	Part Number	Usage	Quantity
1	Lower Air Gap Plate	M04299B001	Comm Side-load Non-ATC, All Retail	1
	Lower Air Gap Plate	M04299B003	Comm Front-load and/or Comm ATC	
2	Rain Baffle Plate	M06690B001	All	2
3	Upper Air Gap Plate	M04461A001	Comm Side-load Non-ATC, All Retail	1
	Upper Air Gap Plate	M04461A002	Comm Front-load and/or Comm ATC	

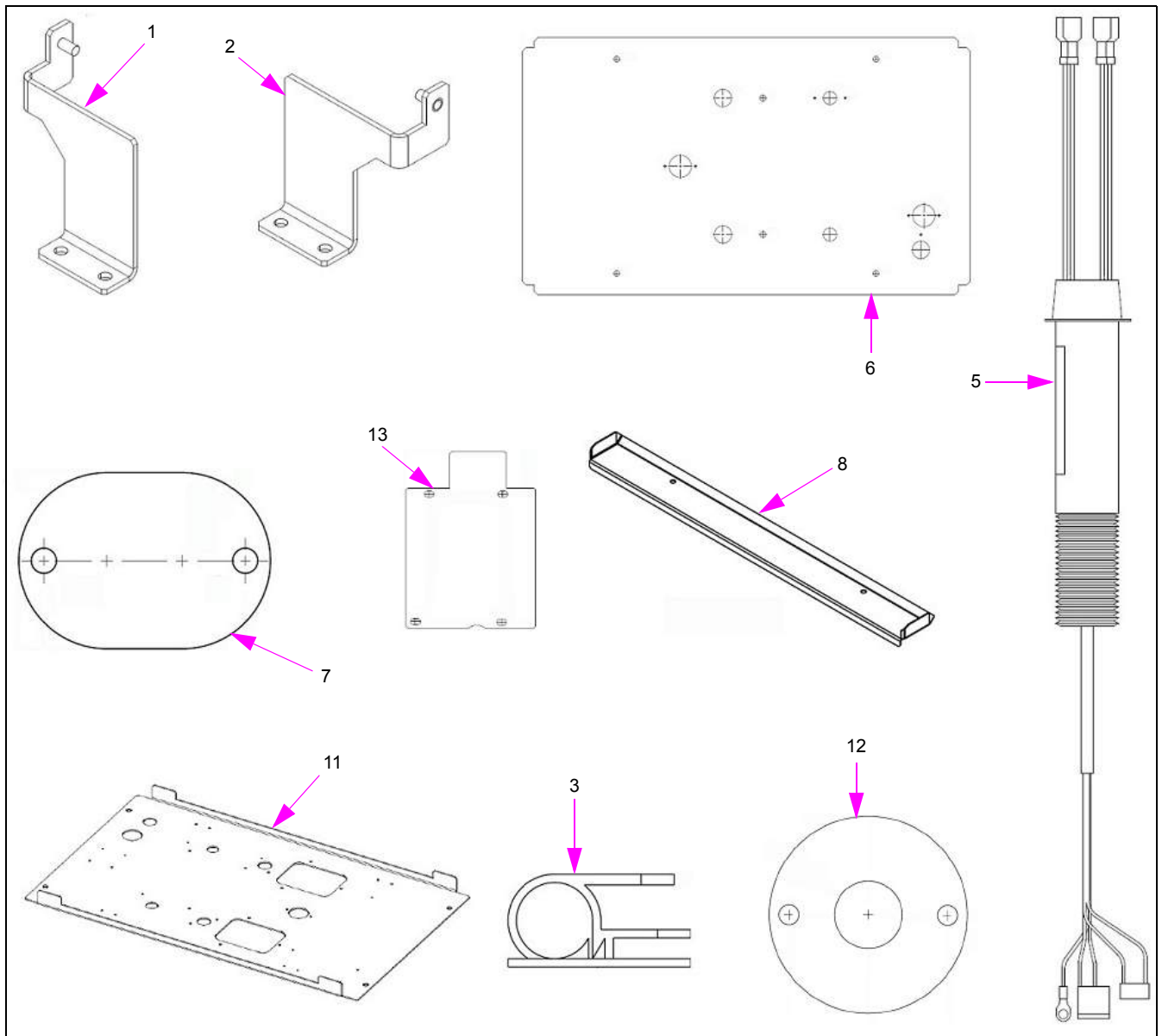
Item #	Description	Part Number	Usage	Quantity
4	Top Housing Assembly	M04483A001	All	1
5	Screw, M8 X 18 WH X Head	M00417B009	All	8
6	AC Conduit and Wire	M04850A006	Retail	1
	AC Conduit and Wire	M04850A008	Commercial	
7	DC Conduit and Wire	M05189A002	Commercial Pulse-out	1
	DC Conduit and Wire	M05189A004	Retail Pulse-out	
	DC Conduit and Wire	M05189A006	Commercial with TopKAT	
	DC Conduit and Wire	M05189A008	Commercial with TopKAT PLUS	
8	Pivot Bracket	M04884B001	All	4
9	Lower Pulser Seal Assembly	M03023A002	All Single or Dual	1 or 2
10	Screw, M5 X 10 WH X Head	M00417B101	All Single or Dual	4 or 8
11	Upper Pulser Blanking Plate	M05083B001	All Single	1
12	Lower Pulser Blanking Plate	M05244B001	All Single	1
13	I.S. Barrier	C06766	Commercial Front-load	1
14	Washer, 1.35 X 1.75 X 0.06	N16599-108	Commercial Front-load	1
15	Conduit Nut	N23655-01	Commercial Front-load	2
16	Conduit Blanking Plate	N23746-01	Comm Front-load or Comm ATC	2
17	Conduit Seal Washer	N23760-03	Commercial Front-load	1
18	Conduit Seal Washer	N23760-04	All with Pulse-out or RS-485	2
19	Conduit Seal Washer	N23760-06	All	2
20	Conduit Seal Washer	N23760-07	Commercial ATC	2
21	Screw, M4 X 8 Pan-head	M00417B224	All	
22	Pulser Drive Gasket	M03081B001	All Canada Single or Dual	1 or 2
23	Conduit Seal Gasket	N23761-01	All Canada Pulse-out or RS-485	1
24	Conduit Seal Gasket	N23761-03	All Canada or Canada Front-load	1 or 2
25	Conduit Seal Gasket	N23761-04	Commercial Canada ATC	1

## Diesel Exhaust Fluid (DEF) Air Gap Hardware



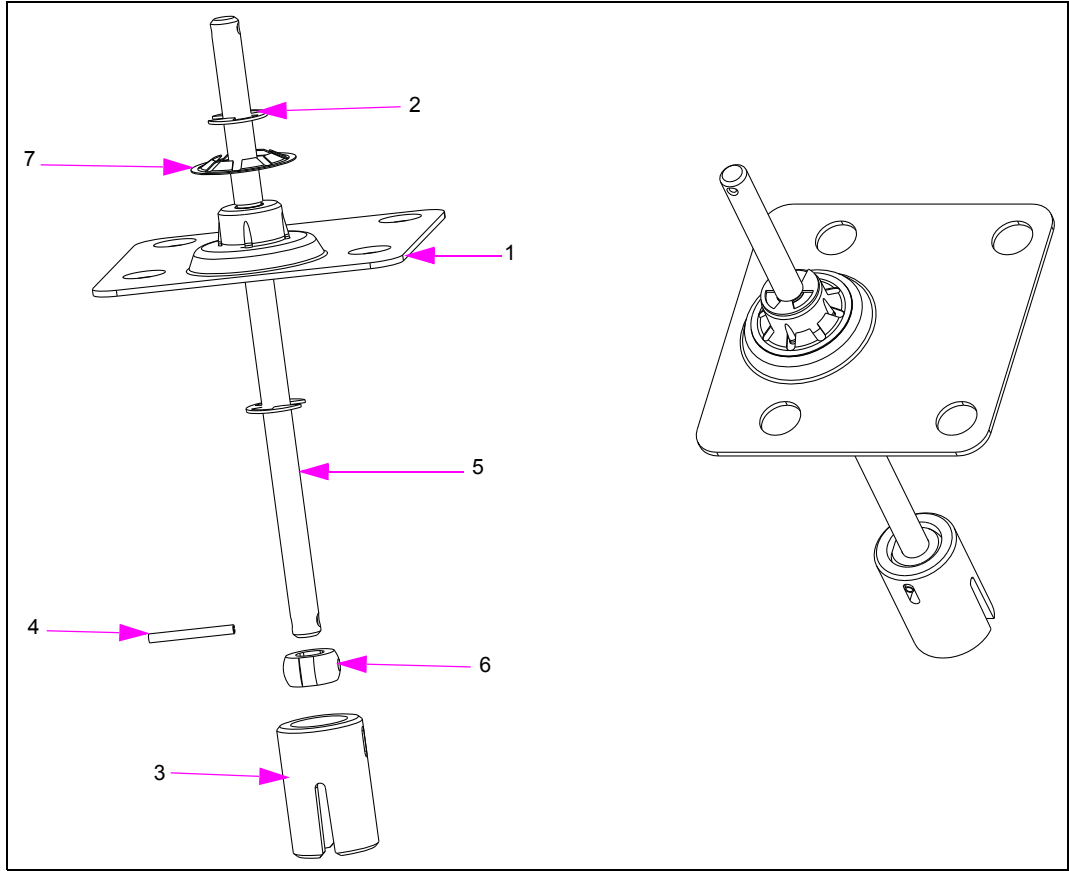
Item #	Description	Part Number	Quantity
1	Plate, Upper Electric Cabinet	M04461A002	1
2	Bracket, Pivot	M04884B001	4
<b>Not Shown</b>			
-	Screw, Metric M8 X 18	M00417B009	4
-	Screw, Metric M4 X 18	M00417B224	8

# E85 Air Gap Hardware



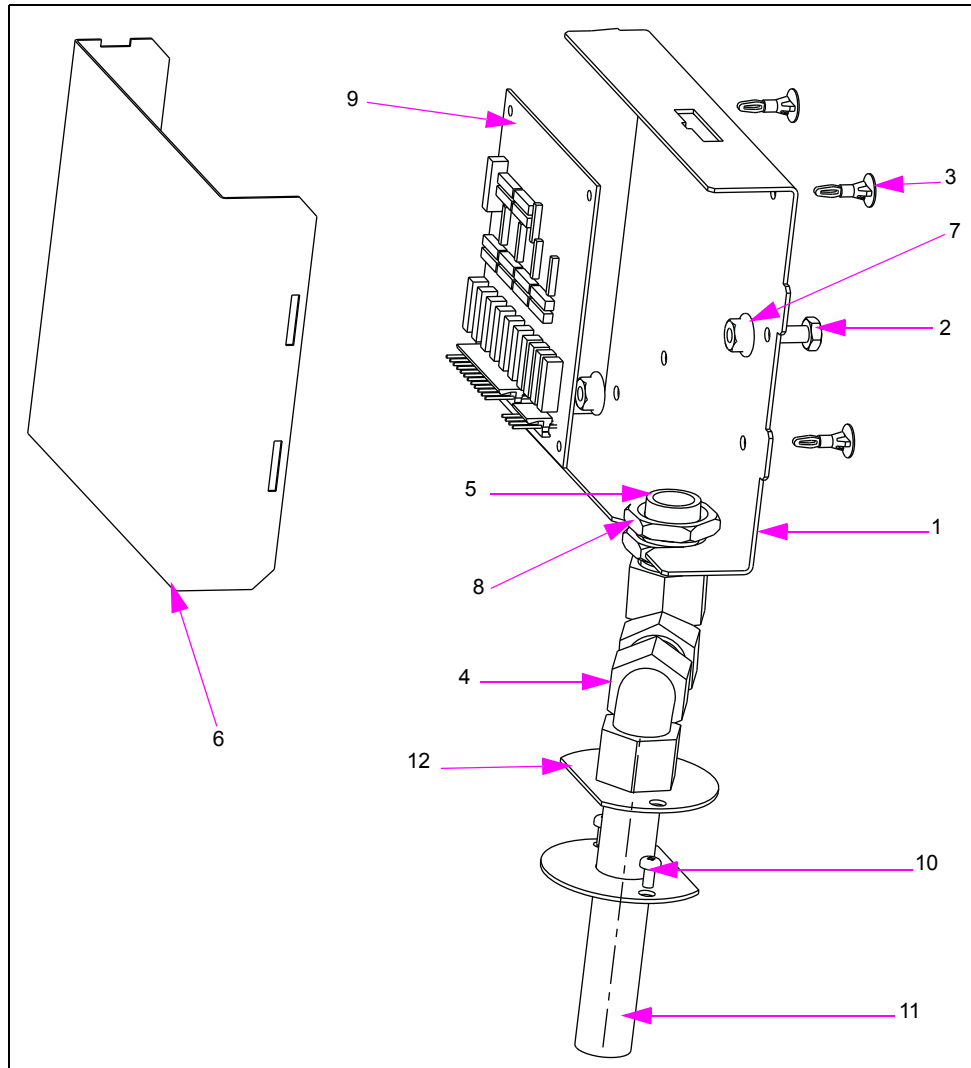
Item #	Description	Part Number	Quantity
<b>E85 Front Load - Dual Side</b>			
1	Assembly, Bracket, Pivot Left	M11419A001	2
2	Assembly, Bracket, Pivot Right	M11419A002	2
3	Cable Mount, Adhesive	Q13558-04	5
4	Nut Conduit 1.00	N23655-01	2
5	I.S. Barrier Assembly	C06766	1
6	Plate, Vapor Barrier Lower	M11615B001	1
7	Plate, Conduit Seal	N23746-01	2
8	Plate Air Gap Rain Baffle	M06690B001	2
9	Screw, Metric M4 X 8	M00417B113	16
10	Screw, Metric M8 X 18	M00417B009	8
11	Vapor Barrier, Upper	M05539B003	1
12	Washer 1" Conduit Seal	N23760-03	2
<b>E85 Front Load - Single Side</b>			
1	Assembly, Bracket, Pivot	M11419A001	2
2	Assembly, Bracket, Pivot	M11419A002	2
3	Cable Mount, Adhesive	Q13558-04	5
4	Nut Conduit 1.00	N23655-01	2
5	I.S. Barrier Assembly	C06766	1
6	Plate, Vapor Barrier Lower	M11615B001	1
7	Plate, Conduit Seal	N23746-01	2
8	Plate Air Gap Rain Baffle	M06690B001	2
9	Screw, Metric M4 X 8	M00417B113	16
10	Screw, Metric M8 X 18	M00417B009	8
11	Vapor Barrier, Upper	M05539B003	1
12	Washer 1" Conduit Seal	N23760-03	2
13	Plate, Cover Prop Valve	M11569B001	1
<b>E85 Side Load - Single Side</b>			
1	Assembly, Bracket, Pivot	M11419A001	2
2	Assembly, Bracket, Pivot	M11419A002	2
3	Cable Mount, Adhesive	Q13558-04	5
4	Plate, Conduit Seal	N23746-01	4
6	Plate, Vapor Barrier Lower	M11615B001	1
8	Plate Air Gap Rain Baffle	M06690B001	2
9	Screw, Metric M4 X 8	M00417B113	18
10	Screw, Metric M8 X 18	M00417B009	8
11	Vapor Barrier, Upper	M05539B003	1
13	Plate, Cover Prop Valve	M11569B001	1

# Lower Pulser Seal Assembly - 8800, 9840, 9852, 9853



Item #	Description	Current Part	Previous Part	Quantity
	Assembly, Lower Pulser Seal	M03023A002	-	1
1	• Assembly Plate Lower Pulser	M03015A002	-	1
2	• Fastener Push-on Prong - Slotted	M03025B001	-	1
3	• Link, Pulser Drive	M00136B002	-	1
4	• Roll Pin 5/64 X 3/4 SSTL	K78378-47	-	1
5	• Shaft Pulser	M00137B004	-	1
6	• Swivel Ball	K93546	-	1
7	• Truarc Retaining Ring	K76238-22	-	2

# Retail Front-load Activation Assembly (Retail)



Item #	Description	Current Part	Previous Part	Quantity
	Retail Front-load Activation Assembly	M06050A001	-	1
1	• Base, I.S. Barrier Encore Ultra-Hi	M05860B001	-	1
2	• Bolt, 1/4-20 X 1/2 HHC	K05287	-	2
3	• Circuit Board Support	Q10651-29	-	4
4	• Conduit Elbow 1/2	G025030	-	2
5	• Conduit Nipple 1/2 X 1-1/2	R11976-42	-	2
6	• Cover, I.S. Barrier	M05861B001	-	1
7	• Nut Hexagonal Flanged 1/4 - 20	Q11890-04	-	2
8	• Lock Nut, 1/2 NPT Machined	K89681	-	2
9	• PCA, I.S. Barrier	T19301-G1	-	1
10	• Screw, Thread Forming, Phillips Pan-head M4 X 8	M00417B224	-	2
11	• Conduit and Cable Assembly	M05969A002	-	1
12	• Washer, Conduit Seal	N23760-04	-	2