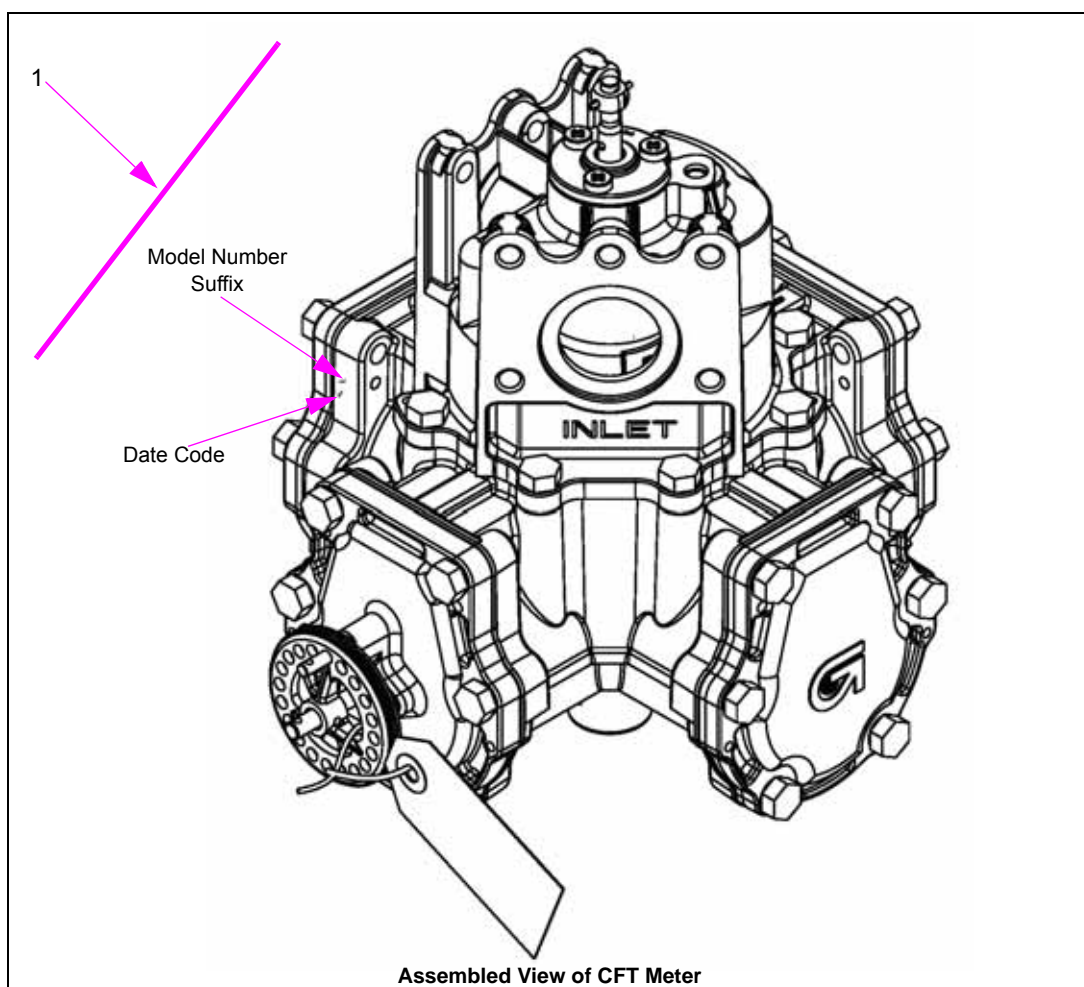


## 8 – Meter, Pump, and Motor Section

### CFT Meter Assembly

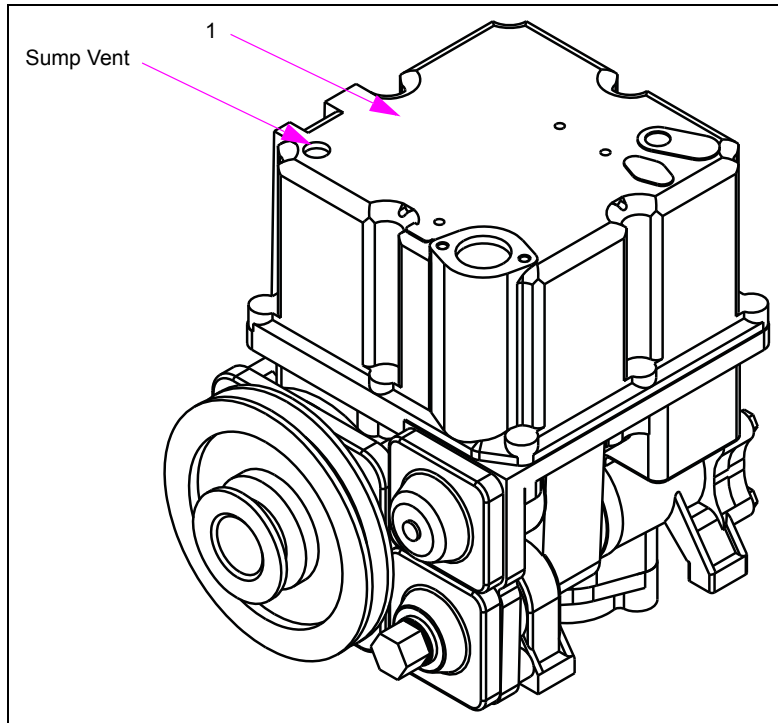


Item #	Description	Current Part	Previous Part	Quantity
1	CFT Meter Assembly - Electronic Models ( <i>Spare Parts item</i> )	T20150-G5	-	(see note 1)
	CFT Meter Assembly - Mechanical Computer Models, Gallons ( <i>Spare Parts item</i> )	T20150-G6	-	(see note 1)
	CFT Meter Assembly - Mechanical Computer Models, Liters ( <i>Spare Parts item</i> )	T20150-G7	-	(see note 1)
	• Meter Master Seal Service Kit Installation ( <i>Reference Only</i> )	K96618	-	(see note 2)
	• Meter Quad Ring Top Seal Replacement Kit ( <i>Reference Only</i> )	K35222	-	(see note 3)

**Notes:**

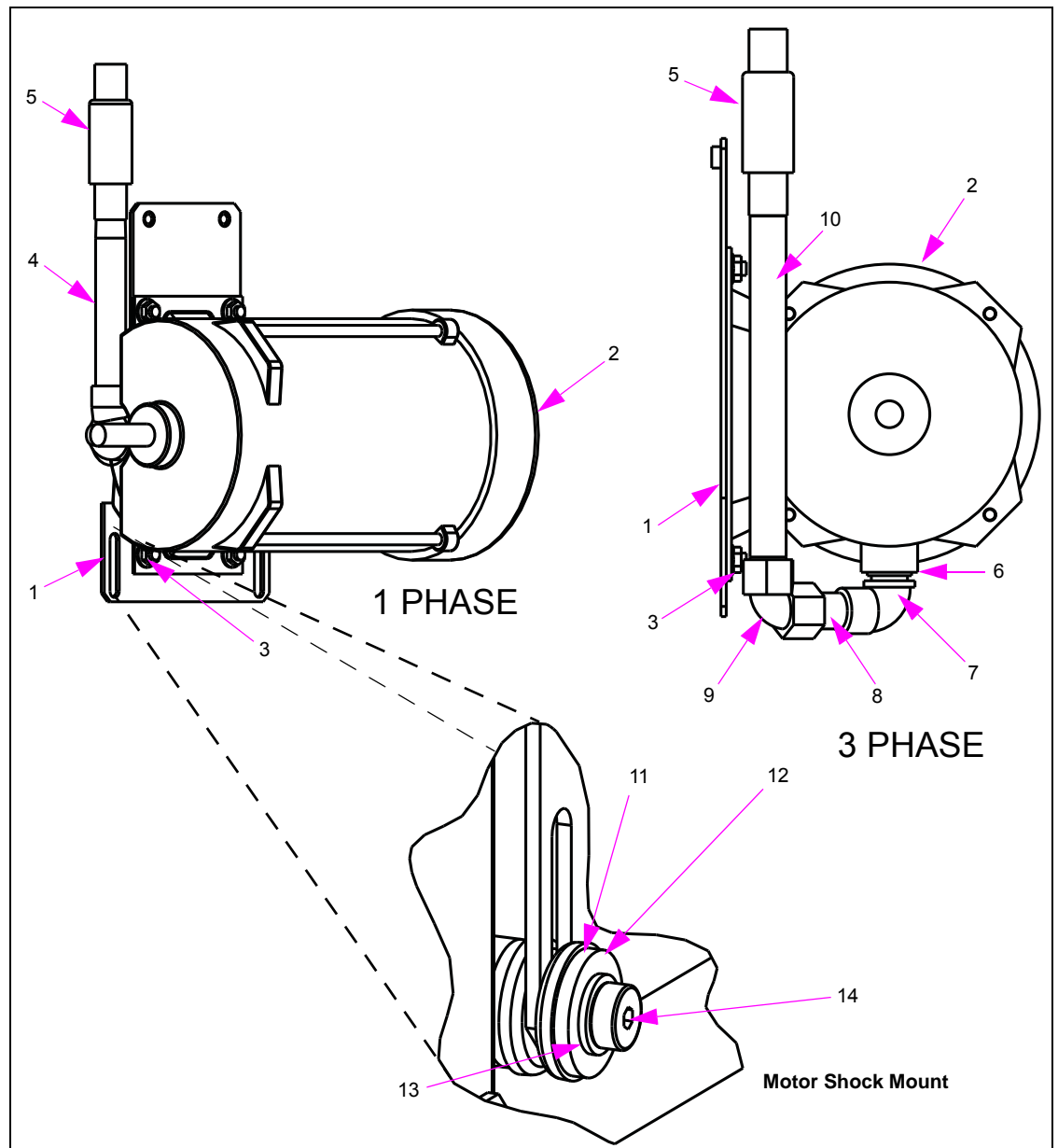
1. CFT meter is ordered as an assembly only.
2. MDE-3892 Meter Master Seal Service Kits (K96618 and M08182K001) Installation Instructions provides information on how to install Meter Master Seal Service Kit (K96618). Kit provides materials and instructions for complete changeout of all seals as a major rebuild.
3. MDE-2188 C, C+, and HD Meter Quad Ring Top Seal Replacement Kits (K35222 and K35222-01) provides information on how to install K35222 Kit. Kit contains enough top seals to service 10 meters.

# GPU Self-contained Pumping Unit



Item #	Description	Current Part	Previous Part	Quantity
1	Gilbarco GPU	M04920B003	M04920B001	1 per Grade
<i>Note: MDE-4447 Gilbarco Global Pumping Unit Operation and Service Manual provides service and kit information.</i>				

# Self-contained Motors - 8700, 8800, 9100, 9840, 9852/53



Item #	Part Description	Current Part	Previous Part	Quantity
1	Assembly, Motor Plate	M04867A001	-	1
2	Motor 1 HP 115/230 V 1 PH 60 Hz	R14213-32	-	1
	Motor 1 HP 110/230 V 1 PH 50 Hz	R14213-33	-	1
	Motor 3/4 HP 220/380 V 3 PH 50/60 Hz	M01068B303	-	1
3	Nut, Metric, Hexagonal Serrated Flange (M8)	M00414B003	-	4
4	Conduit Nipple 1/2 X 5-1/4	R11976-62	-	1
5	Expansion Union (Conduit)	N16289-22	-	1
6	Bushing 3/4 X 1/2	K49827	-	1
7	Elbow, St 1/2 X 90	K42448	-	1
8	Nipple, 1/2 X 1-3/4	R11976-44	-	1
9	Elbow, 1/2 X 90	K42428	-	1
10	Nipple, 1/2 X 9	R11976-72	-	1
Motor Shock Mounts				
11	Cup Washer	G067735	-	4
12	Rubber Mount	G037885	-	4
13	Flat Washer, M8	M00959B016	-	2
14	Metric Socket Head Shoulder Bolt	M04869B001	-	2