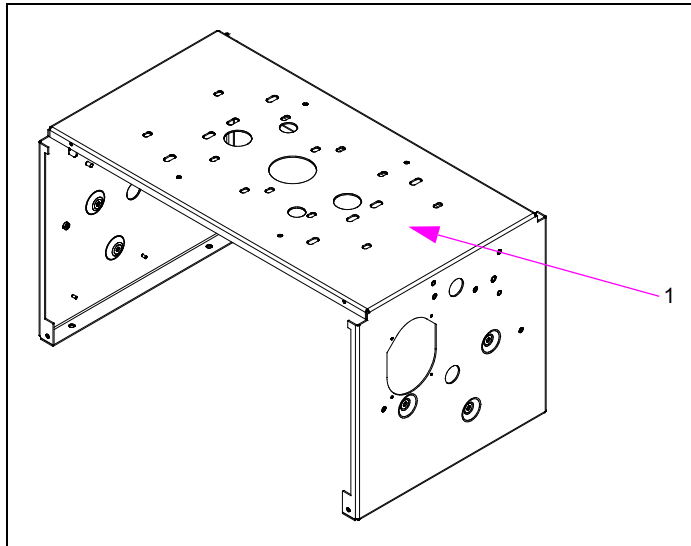


5 – Frame Section

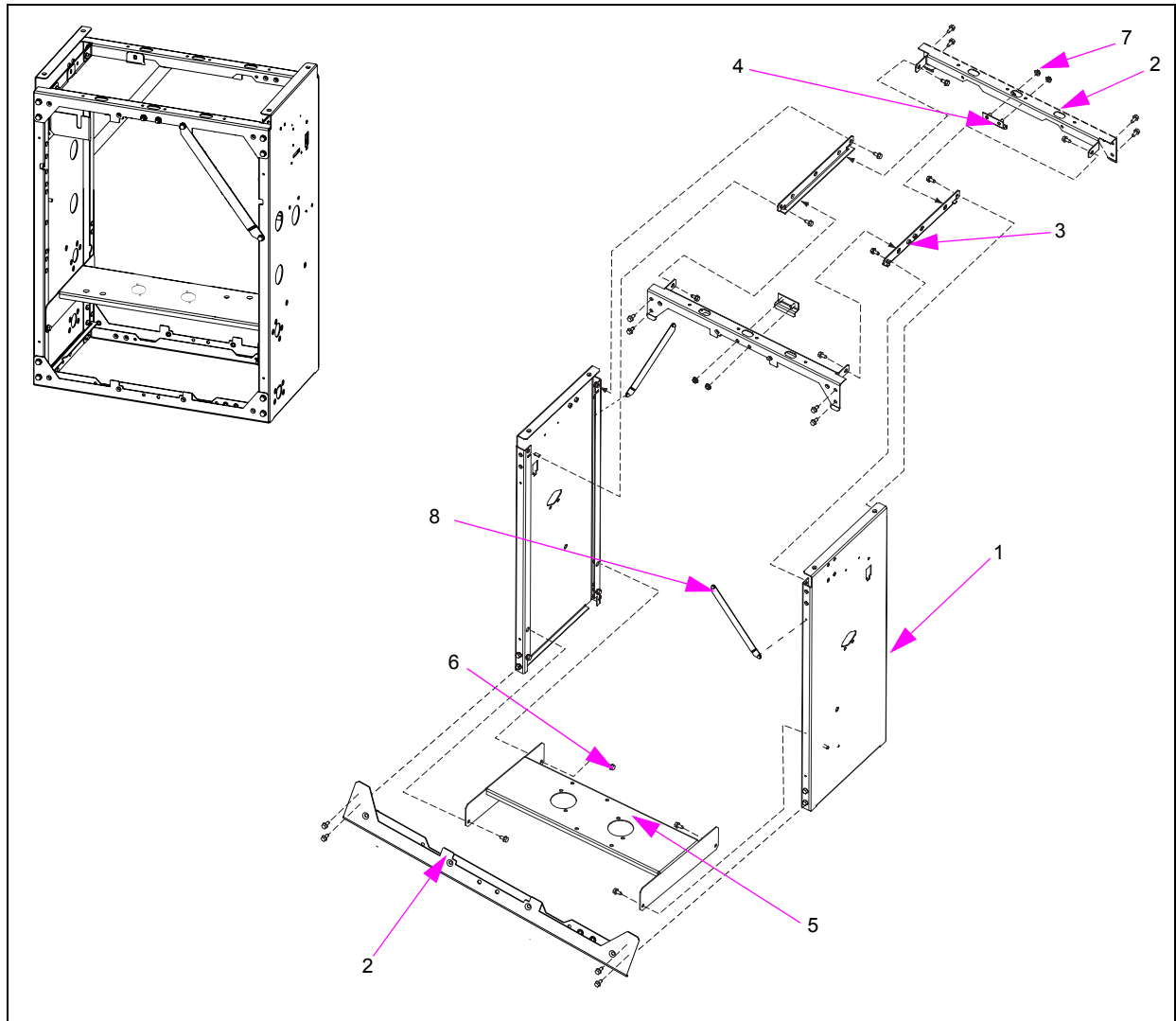
Weldment Top Housing Assembly



Item #	Part Description	Current Part	Previous Part	Quantity
1	Weldment Top Housing Assembly	M08909A001	-	1

Dispenser Frame

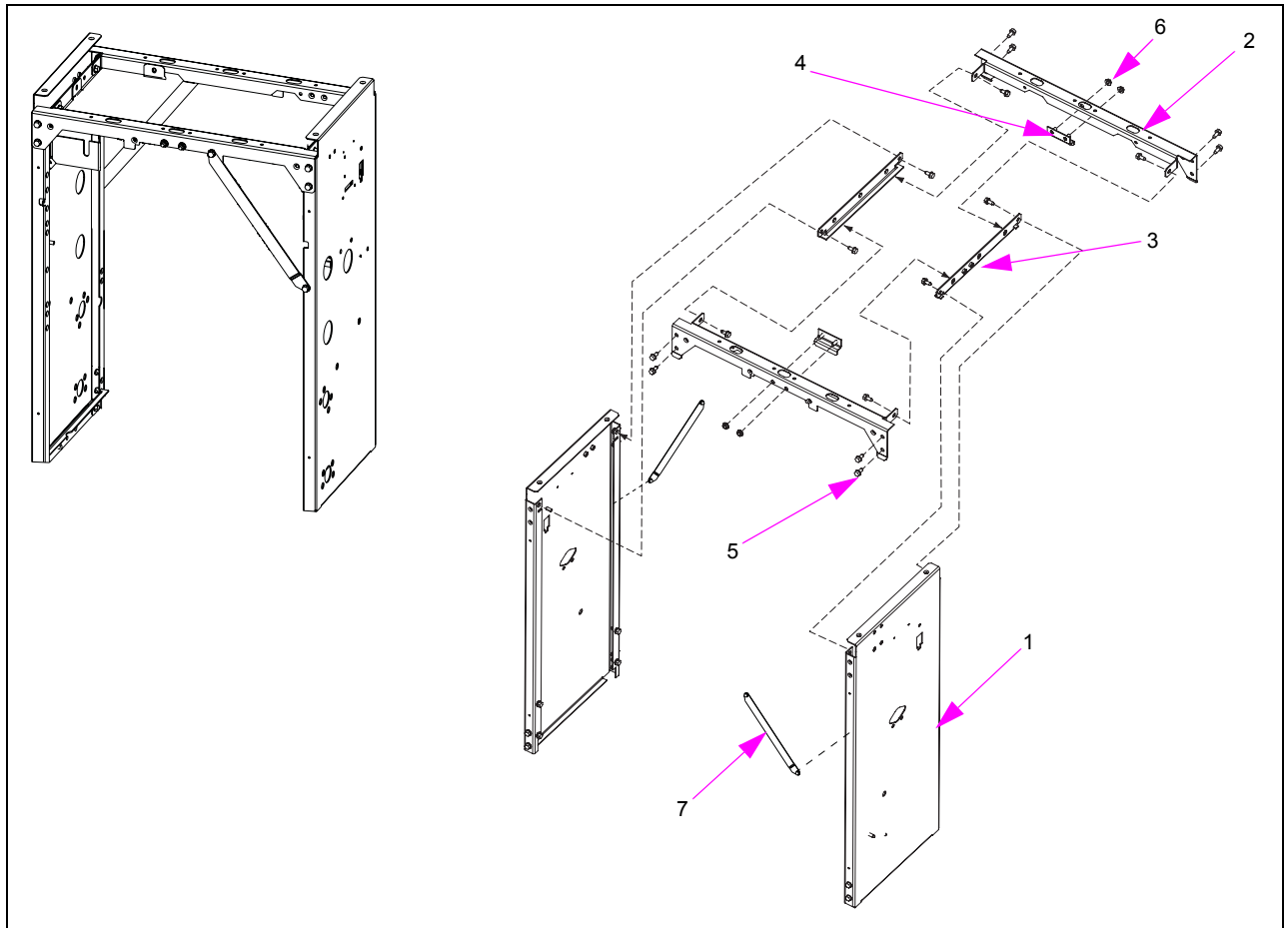
Note: Units built before November 12, 2008.



Item #	Part Description	Current Part	Previous Part	Quantity
1	Lower Frame Column	M06628A001	-	2
2	Base Rail Frame	M04460B001	-	4
3	Column Cross Bracket	M04251B001	-	4
4	Lock Plate Bracket	M04774A001	-	2
5	Dispenser Inlet Rail (Dispenser only)	M05645B001	-	1
6	Screw (M8 X 18)	-	-	28
7	Nut (M8 Serrated)	-	-	4
8	Brace, Frame	M06733B001	-	2

Upper Frame (Self-contained)

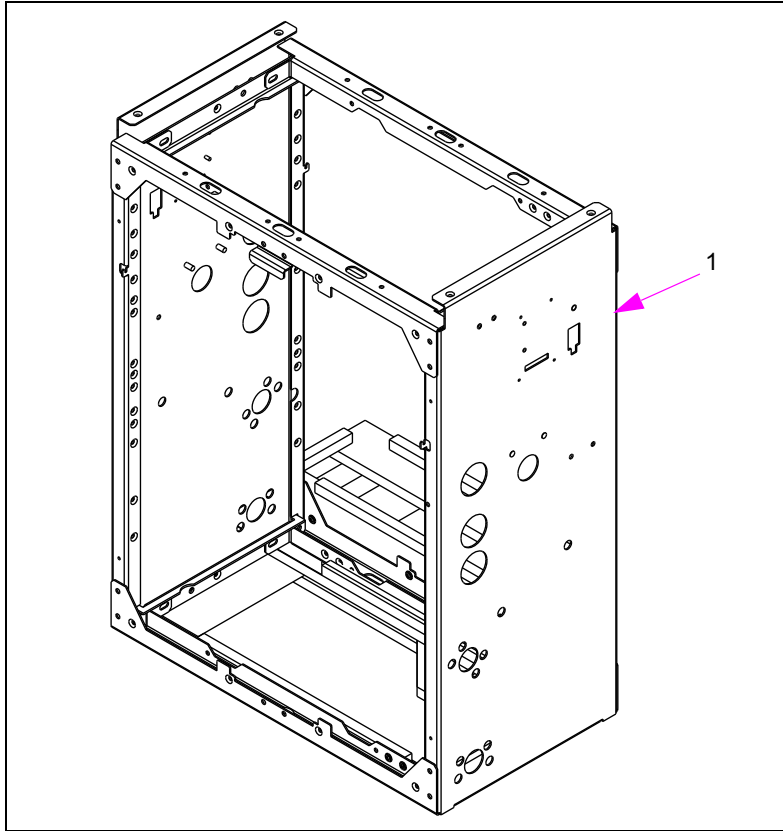
Note: Units built before November 12, 2008.



Item #	Part Description	Current Part	Previous Part	Quantity
1	Lower Frame Column	M06628A001	-	2
2	Base Rail Frame	M04460B001	-	2
3	Column Cross Bracket	M04251B001	-	2
4	Lock Plate Bracket	M04774A001	-	2
5	Screw (M8 X 18)	-	-	28
6	Nut (M8 Serrated)	-	-	4
7	Brace, Frame	M06733B001	-	2

Lower Dispenser Welded Frame

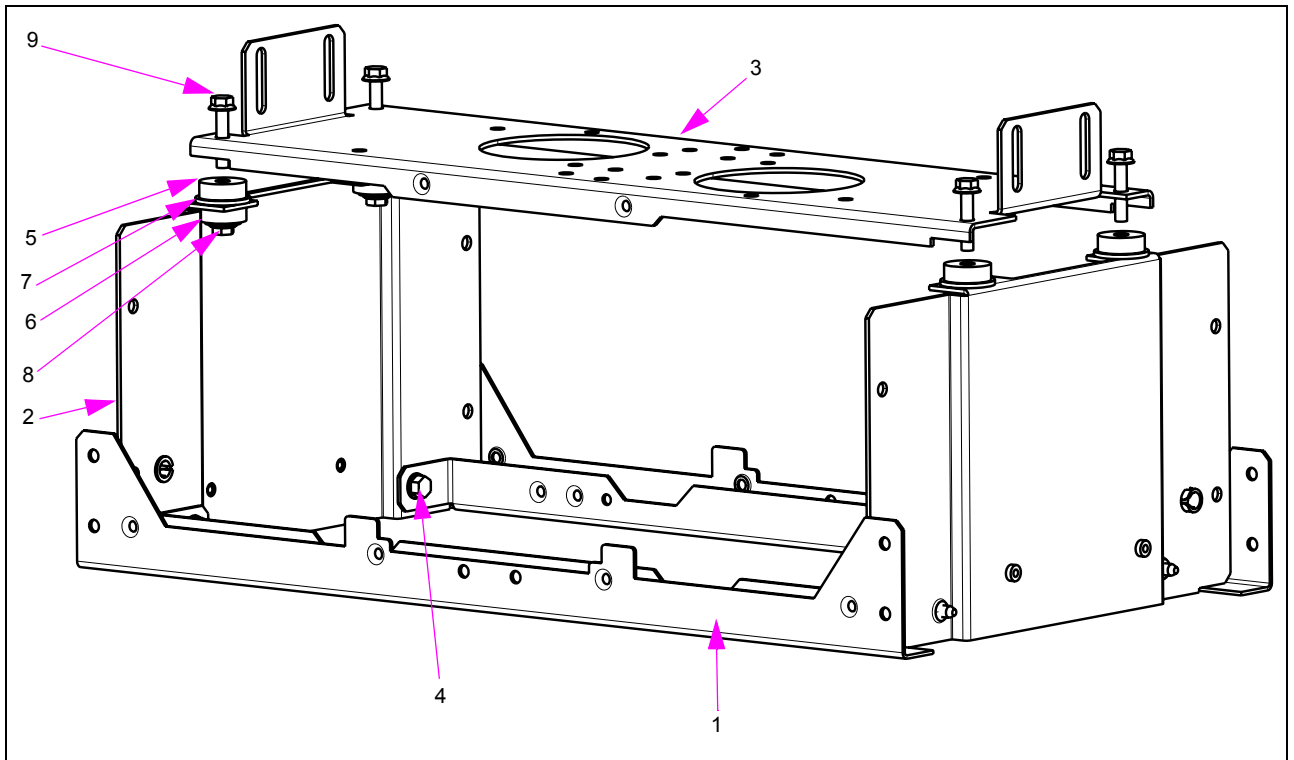
Note: Units built after November 12, 2008.



Item #	Part Description	Current Part	Previous Part	Quantity
1	Assembly, Frame Weldment	M08928A003	M08928A002	1

Lower Frame (Self-contained)

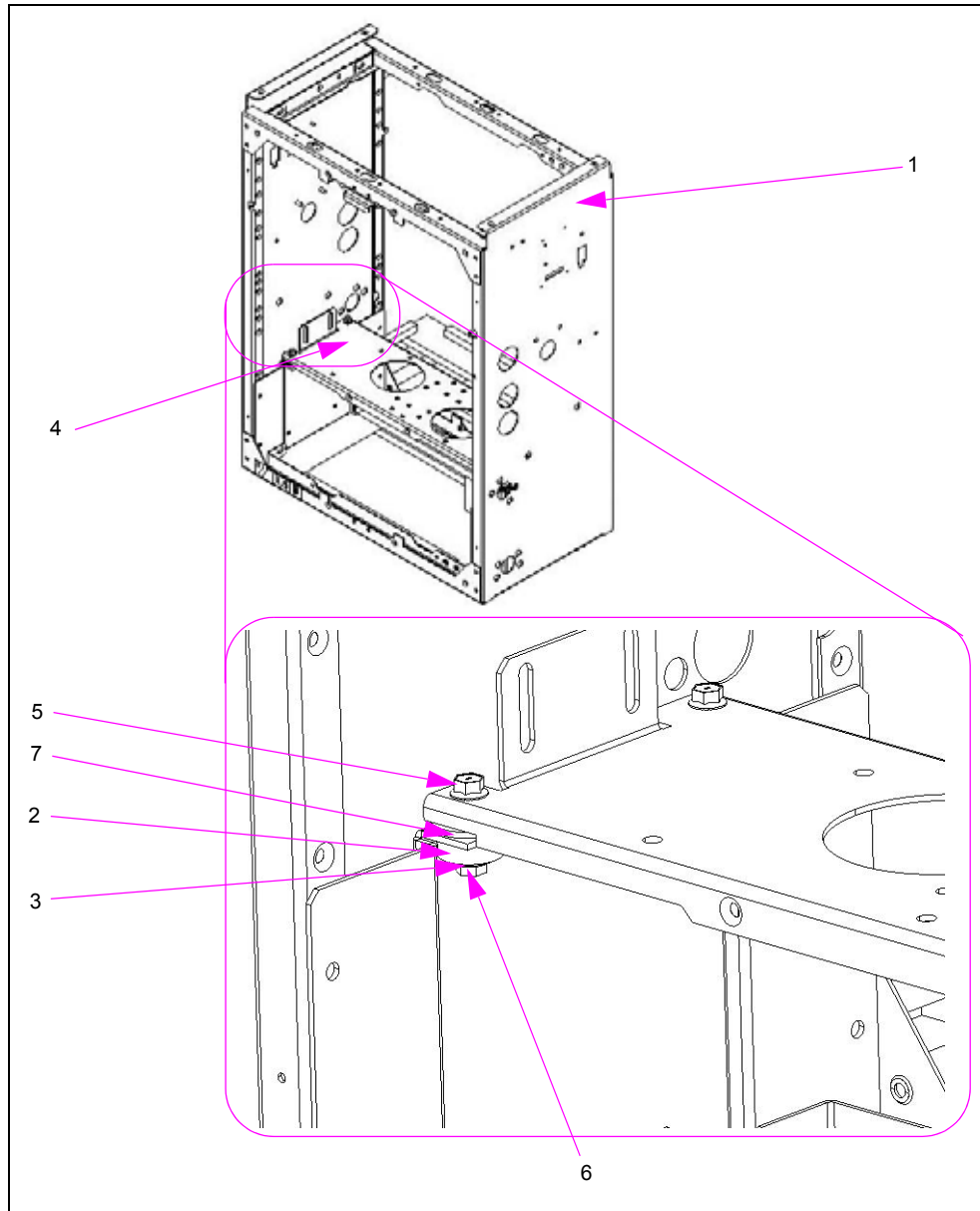
Note: Units built before November 12, 2008.



Item #	Part Description	Current Part	Previous Part	Quantity
1	Base Rail Frame Support	M04460B001	-	2
2	Assembly Lower Frame Brace	M04868A001	-	2
3	Plate, Pump Support	M06684B001	-	1
4	Screw, Thread Forming, Hexagonal Washer Head, M8 X 18	M00417B009	-	4
5	Universal Isolation Mount	M04871B001	-	4
6	Flat Washer Metric M8 Zinc Plate	M00959B008	-	4
7	Flat Washer Metric - Yellow Chromate	M00959B019	-	4
8	Nut, Metric, Hexagonal Serrated Flange (M8)	M00414B003	-	4
9	Screw, Metric M8 X 40	M00415B017	-	4

Lower Welded Frame (Self-contained)

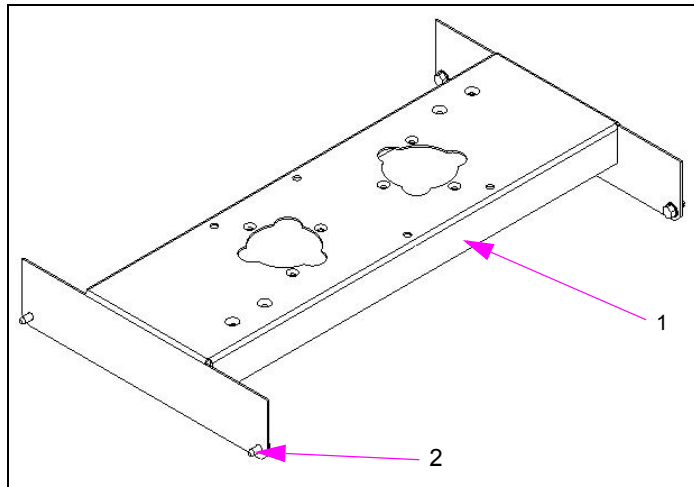
Note: Units built after November 12, 2008.



Item #	Part Description	Current Part	Previous Part	Quantity
1	Assembly, Frame Weldment	M08928A013	M08928A012	1
2	Mount, Universal	M04871B001	-	4
3	Flat Washer	M00959B008	-	4
4	Plate, Pump Support	M06684B001	-	1
5	Screw, Metric M8 X 40	M00415B017	-	4
6	Nut, Metric M8 Serrated	M00414B003	-	4
7	Washer, Flat M20 STL ZNPL	M00959B019	-	4

Lower Dispenser Frame (Upper Hydraulic Frame)

Note: Units built after November 12, 2008.



Item #	Part Description	Current Part	Previous Part	Quantity
1	Plate, Dispenser Inlet Support	M05645B001	-	1
2	Screw, Metric M8 X 18	M00417B009	-	4