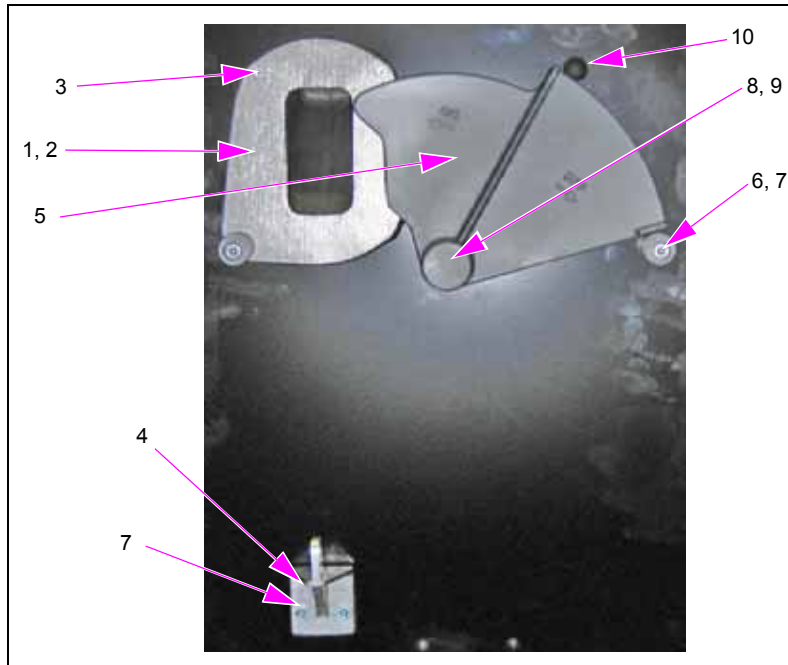
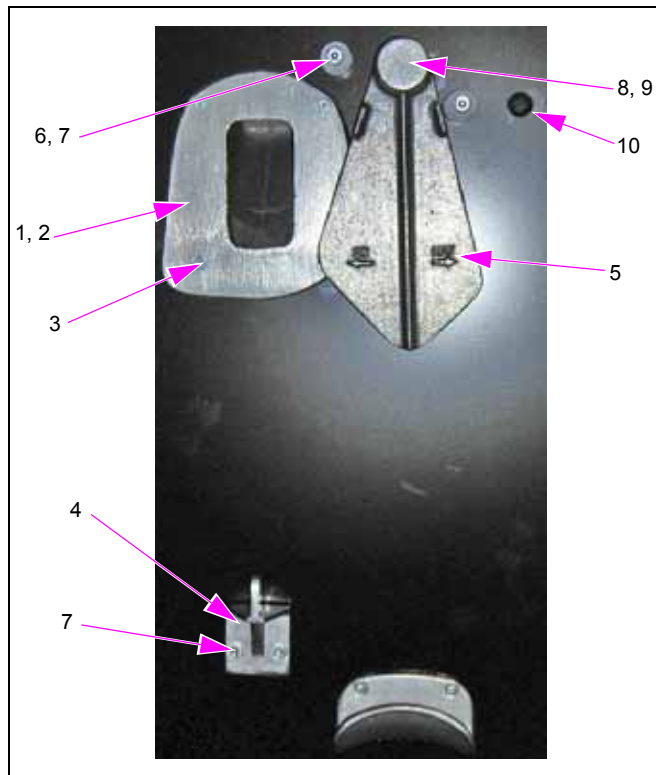


3 – Nozzle Boots, Hose Hook, and Internal Hose Retrievers

Side-load Mechanical



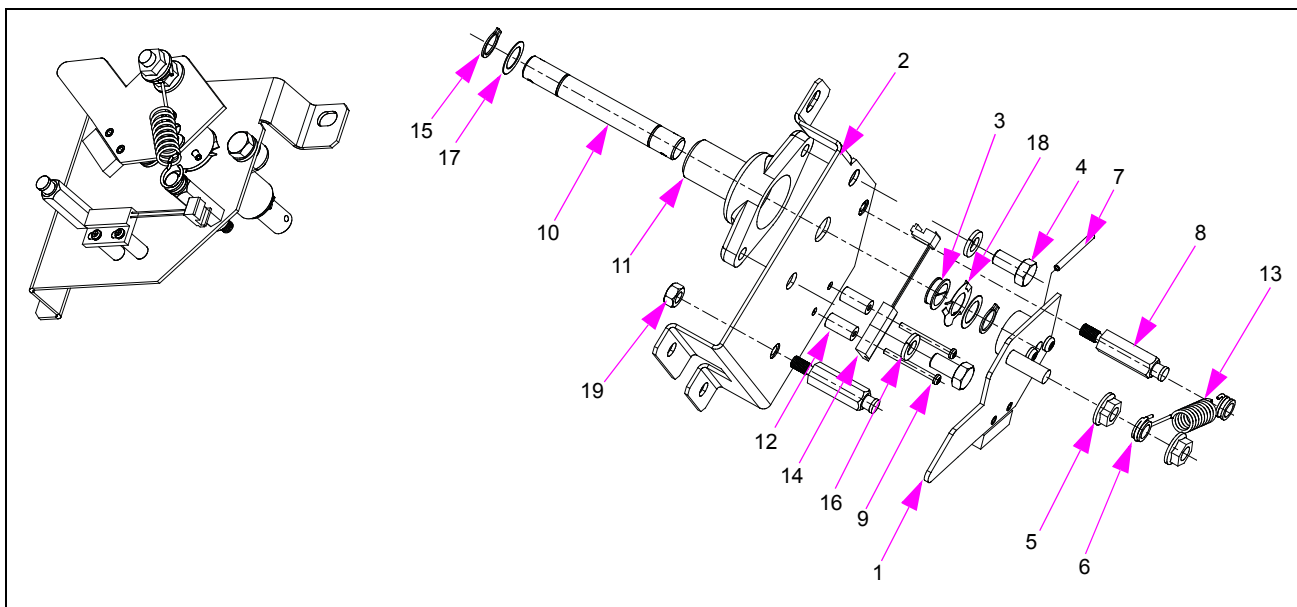
Side-load Electronic



Item #	Part Description	Used On	Current Part	Previous Part	Quantity
1	Nozzle Boot; 98 A, 88B/D (MACH)	STD Electronic	G003338	-	1
	Nozzle Boot; 88B/D VR (MACH)	Electronic Vapor	G003336	-	1
	Nozzle Boot Machined	STD Mechanical	M05142B001	-	1
	Boot, Nozzle	Mechanical Vapor	M05632B001	-	1
2	Gasket-nozzle Boot	All	G026850	-	1
3	Screw, TPT Phillips® Flat-head 8-32	All	Q13399-03	-	4
4	Nozzle Hook	All	M05574B001	-	1
	Lever Control 8800B/D (MACH)	Electronic	G003347	-	1
	Lever Control (Plastic) 87E	Mechanical	G003354	-	1
6	Stop-eccentric Plastic	All	M07990B001	-	2
7	Screw, SCK Head Cap Metric	All	M04973B006	-	4
8	Grommet, 1.500 OD X 0.875	All	N15941-44	-	1
9	Pin Roll P/N SZ-125-1.375	All	G042657	-	1
10	Plug Snap IN TW Fastex	Electronic	G047210	-	1

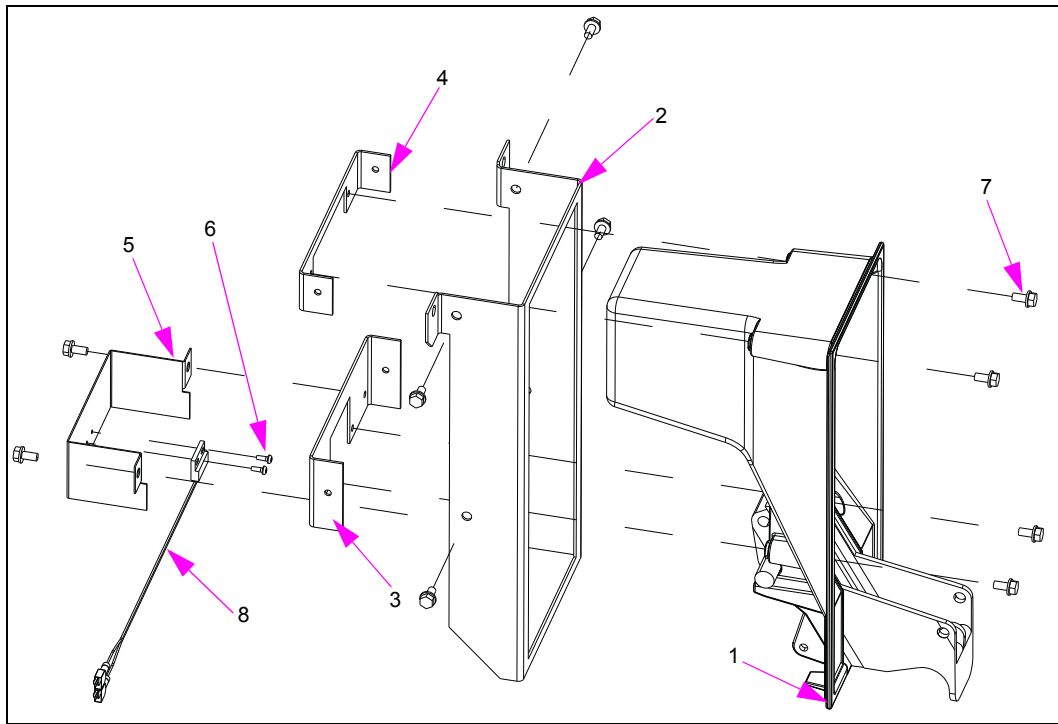
Side-load Activation Assembly (Reset Assembly)

Note: M04623A001 is not compatible with model A series pumps.



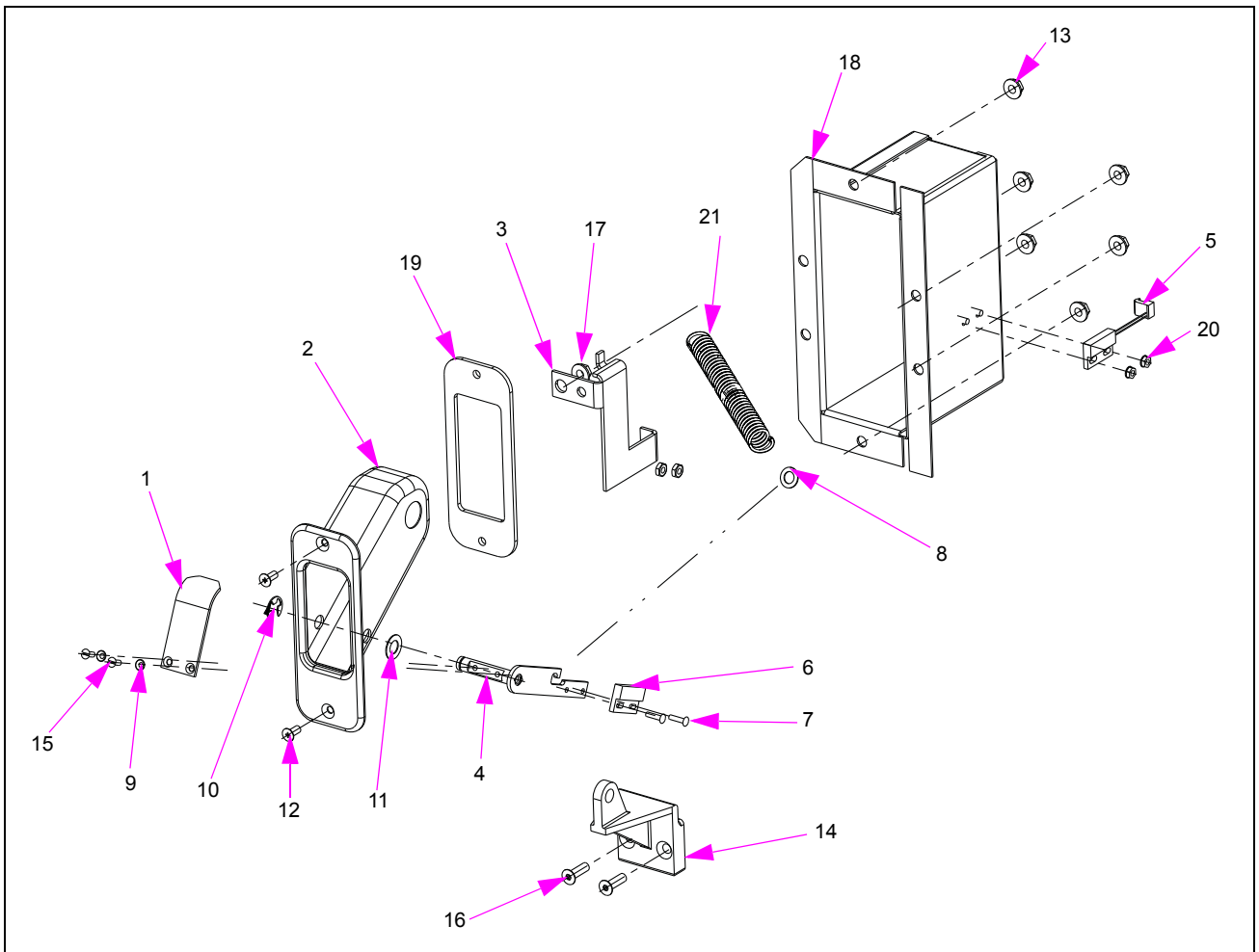
Item #	Part Description	Current Part	Previous Part	Quantity
	Assembly, Electronic Reset	M04623A001	-	1
1	Assembly, Reset Cam	M05295A001	-	1
2	Assembly, Reset Switch Bracket - 9800Q	M04617A001	-	1
3	Bearing, Nyliner Type 7, 1/2' Shaft	G011958	-	1
4	Bolt Hexagonal Head Finished	K51194	-	2
5	Nut, Metric, Hexagonal Serrated Flange (M8)	M00414B003	-	2
6	Pin Collar Delrin	G042912	-	2
7	Pin, Spirol 0.125 X 1.375	G042657	-	1
8	Post, Spring Retainer	M08220B002	-	2
9	Screw, Phillips Pan-head Machine 4-40 X 1.25	Q11270-28	-	2
10	Shaft, Start	G054447	-	1
11	Shaft, Start Bearing	G003184	-	1
12	Spacer, Nylon	G013190	-	2
13	Spring, Handle	M13977B001	029363	1
14	Switch Magnetic Reed	Q12514-10	-	1
15	Truarc Retaining Ring	K76238-20	-	2
16	Lockwasher Spring, 5/16 inch	K73278-28	-	2
17	Washer, Brass	G067109	-	2
18	Washer, Wave Bearing Loading	G068951	-	1
19	Hexagonal Nut 1/4-20 UNC-2B	K01941	-	1

Front-load Nozzle Boot



Item #	Part Description	Current Part	Previous Part	Quantity
	Assembly, Front-load Nozzle Boot	M04827A001	-	1
1	• Assembly, Nozzle Boot	W03879-G1	-	1
2	• Bracket, Nozzle Boot Mounting	M04826B001	-	1
3	• Bracket, Nozzle Boot Mounting	M04829B001	-	1
4	• Bracket, Nozzle Boot Mounting	M04829B002	-	1
5	• Bracket, Switch Mounting	M05314B001	-	1
6	• Screw, 6-32 X 3/8 Panhead	Q11769-15	-	2
7	• Screw, T8, Hexagonal Washer Head M6 X 12	K85736-51	-	10
8	• Sensor Assembly - Nozzle Boot	C04243	-	1

Auto-on Nozzle Boot, Reset, and Boot Cover



Item #	Part Description	Current Part	Previous Part	Quantity
1	Flap, Nozzle Boot	N23687-01	-	1
2	Nozzle Boot	R20269-01	-	1
3	Bracket, Nozzle Support	M04639B001	-	1
4	Assembly Cam and Shaft Nozzle Boot	N23693-G1	-	1
5	Switch Magnetic Reed	Q12514-10	-	1
6	Switch Magnetic Reed	Q12514-05	-	1
7	Rivet Pop	Q10084-16	-	2
8	Washer, Flat 0.328 X 0.562 X 0.0299	N16599-45	-	1
9	Washer, External Thread Flat-head #6 X 0.020	K50411-38	-	2
10	Ring, Retaining	K76238-37	-	1
11	Washer, Flat 0.328 X 0.687 X 0.026	N16599-71	-	1
12	Screw, Phillips Flat-head Metric M5 X 12	M05825B001	-	2
13	Nut, Metric, Hexagonal Serrated Flange (M6)	M00414B002	-	7
14	Nozzle Hook	M05574B001	-	1

Item #	Part Description	Current Part	Previous Part	Quantity
15	82° Flat Head Machine Screw	K78552-21	-	2
16	Screw, SCK Head Cap Metric	M04973B006	-	2
17	Hexagonal Nut 8-32 Unc-28 Stl Zn Pl	Q12068-03	-	2
18	Assembly, Nozzle Boot Cover	M04641A003	-	1
19	Gasket, Nozzle Boot, Auto	M05627B001	-	1
20	Nut, Metric, Hexagonal with External M4 Blue	Q12885-05	-	2
21	Spring	K89852	-	1

Hose Hanger and Hose Retriever

Hose Hanger Option

Item #	Part Description	Current Part	Previous Part	Quantity
1	Hook-hose, 9100	G003740	-	1
2	Screw	-	-	2

Internal Hose Retriever - 5/8-inch

Item #	Part Description	Current Part	Previous Part	Quantity
1	Stud Metric Clinch	Q12887-48	-	1
2	Bracket, Hose Retriever	M04752B001	-	1
3	Nut, Metric M8 Serrated	M00414B003	-	1
4	Retriever and Cable Assembly	N20545-02	-	1
5	Grommet Hose Cable 45°	R18453-01	-	1
6	Nut, Hexagonal 1/4-20	K01941	-	1
7	Clamp, Hose (Inner Half)	N18319-03	-	2
8	Nut, Hexagonal	Q12068-05	-	1
9	Clamp, Hose, and Cable	N18320-21	-	2
10	Ring, Retaining	K85573-01	-	1
11	End Cable Block	K86055-01	-	1
12	Tie Clamp	Q13641-01	-	1
13	Screw Cap OV Flst 1/4-20	K04585	-	1
14	Washer	K50411-25	-	1

Internal Hose Retriever - 3/4-inch

Item #	Part Description	Current Part	Previous Part	Quantity
1	Assembly, Retriever, and Cable	N20545-02	-	1
2	Grommet Hose Cable 45°	R18453-01	-	1
3	Nut, Hexagonal 1/4-20	K01941	-	1
4	Clamp, Hose (Inner Half) 3	N18319-03	-	2
5	Nut Hexagonal KEPS with External Lockwasher 4	Q12068-05	-	1
6	Clamp, Hose, and Cable	N18320-21	-	2
7	Ring, Retaining	K85573-01	-	1
8	End Cable Block	K86055-01	-	1
9	Tie Clamp	Q13641-01	-	1
10	Screw Cap OV Flst 1/4-20	K04585	-	1
11	Lockwasher Internal Thread 1/4 X 0.018	K50411-25	-	1

Internal Hose Retriever - 1-inch

Item #	Part Description	Current Part	Previous Part	Quantity
1	Assembly, Retriever, and Cable	N20545-02	-	1
2	Grommet Hose Cable 45°	R18453-01	-	1
3	Nut, Hexagonal 1/4-20	K01941	-	1
4	Screw, Phillips Pan-head 10-32 X 0.50	Q11270-174	-	1
5	Nut, Screw, Clamp, Hose	K75766	-	1
6	Adapter Cable	K85940	-	1
7	Assembly, Hose Clamp 1-1/2"	N15680-01	-	1