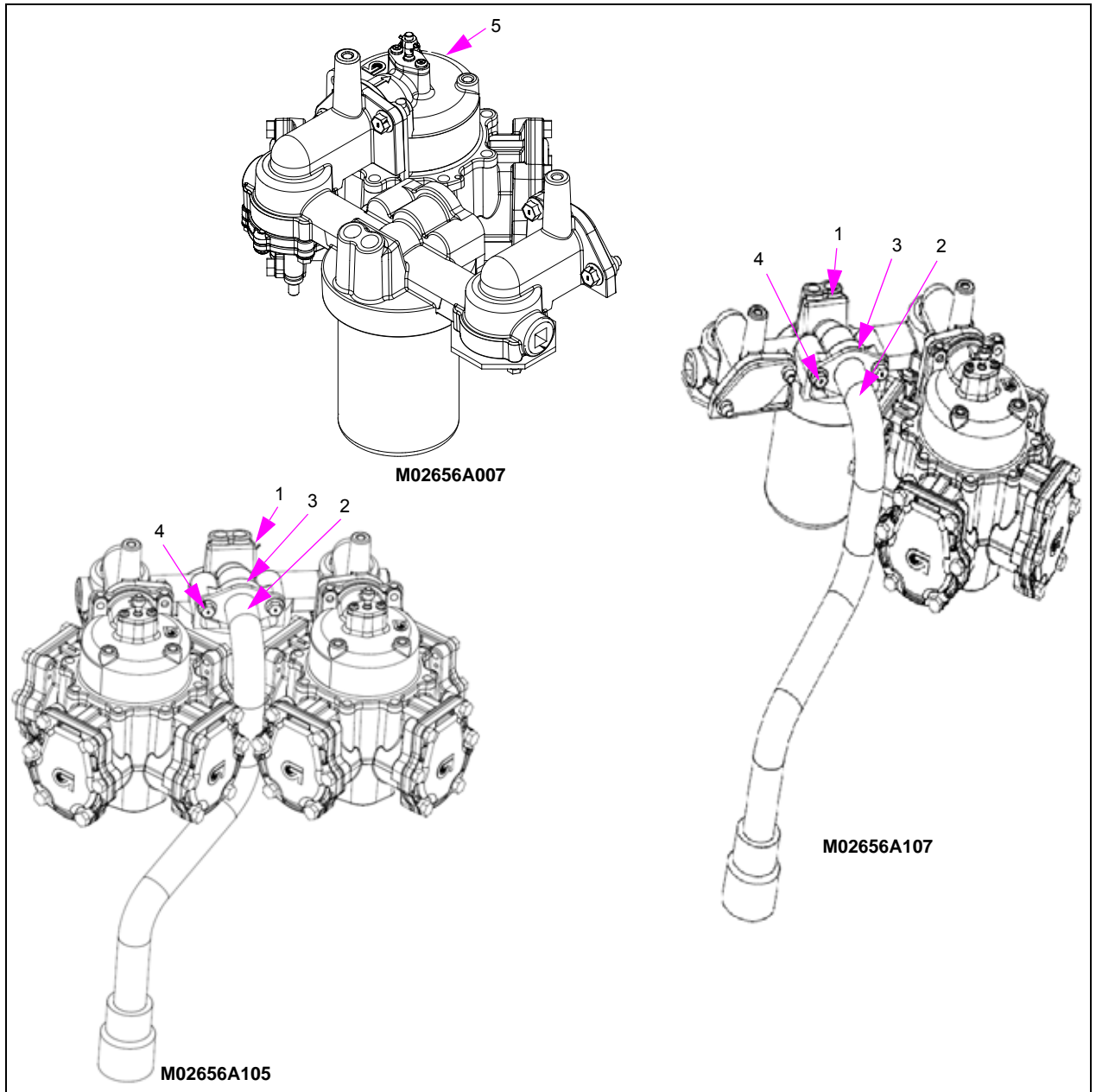


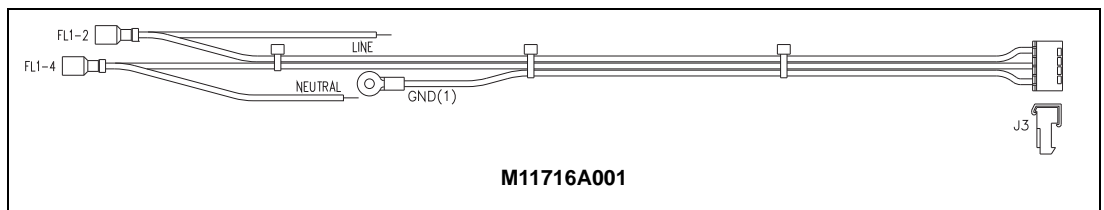
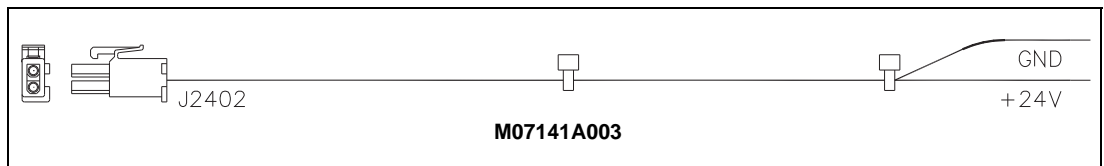
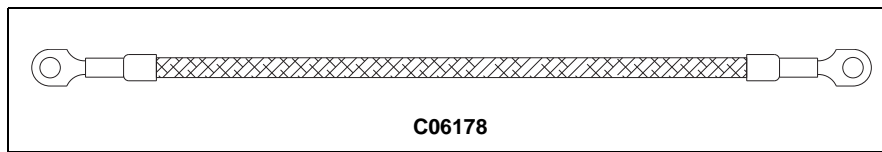
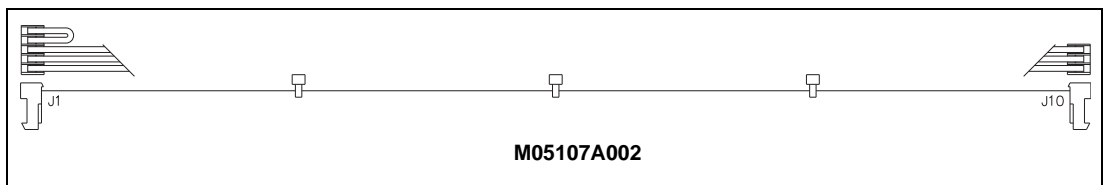
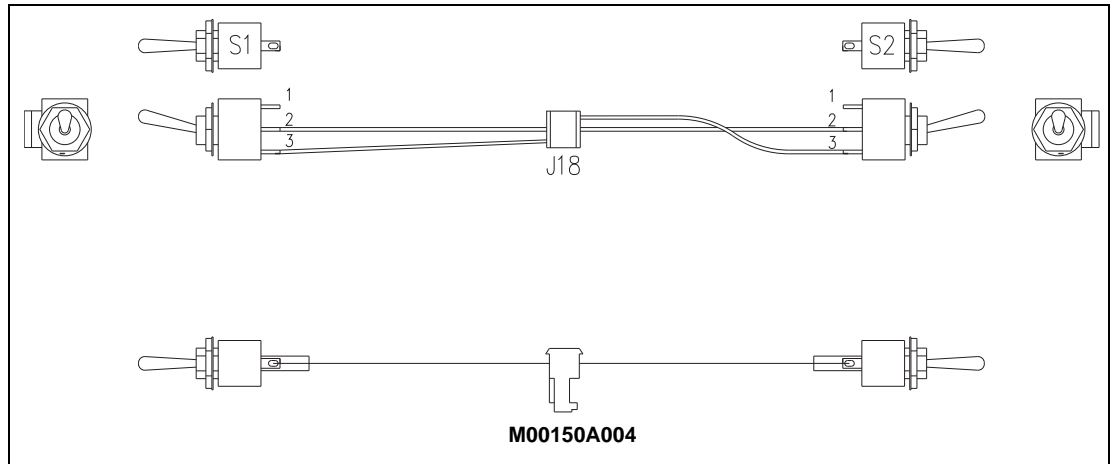
25 – Atlas E85 and DEF Pump

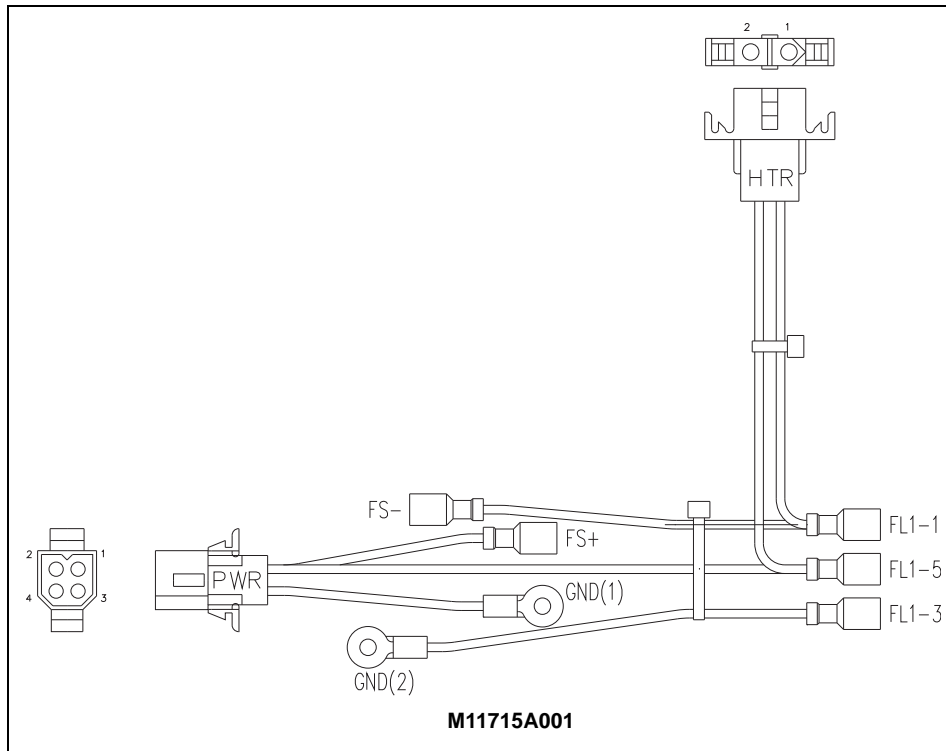
Atlas E85 Unit



Item #	Part Description	Current Part	Quantity
1	Assembly MOA C+ Meter and Manifold	M02656A007	1
2	Encore Dispenser Feedline Assembly	M00302A001	1
3	O-ring, 1-1/4 X 1-1/2 X 1/8	Q10068-09	1
4	Screw, Metric M8 X 20	M00415B010	2
5	Assembly C+ Meter Plated	T19976-G5	1

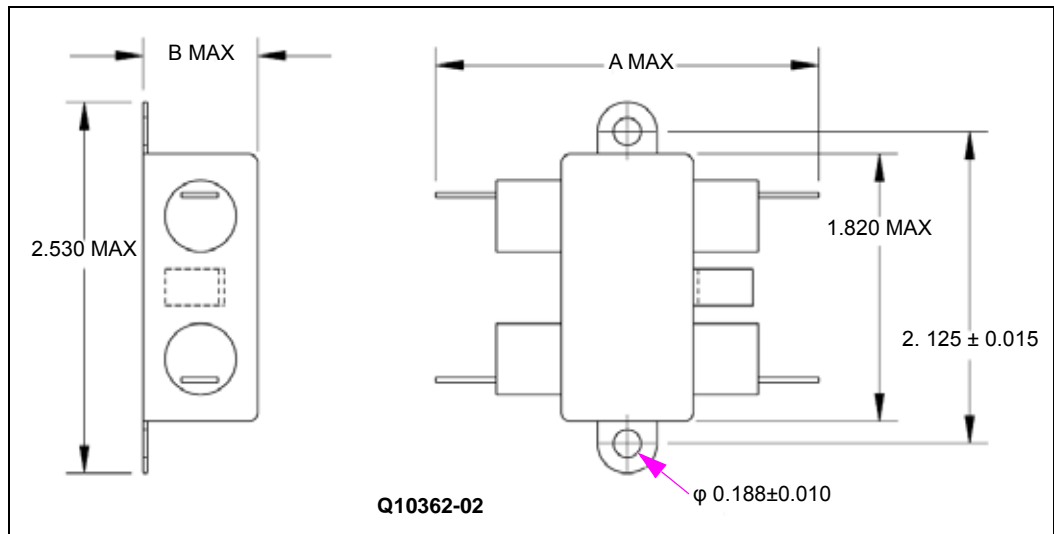
Cables





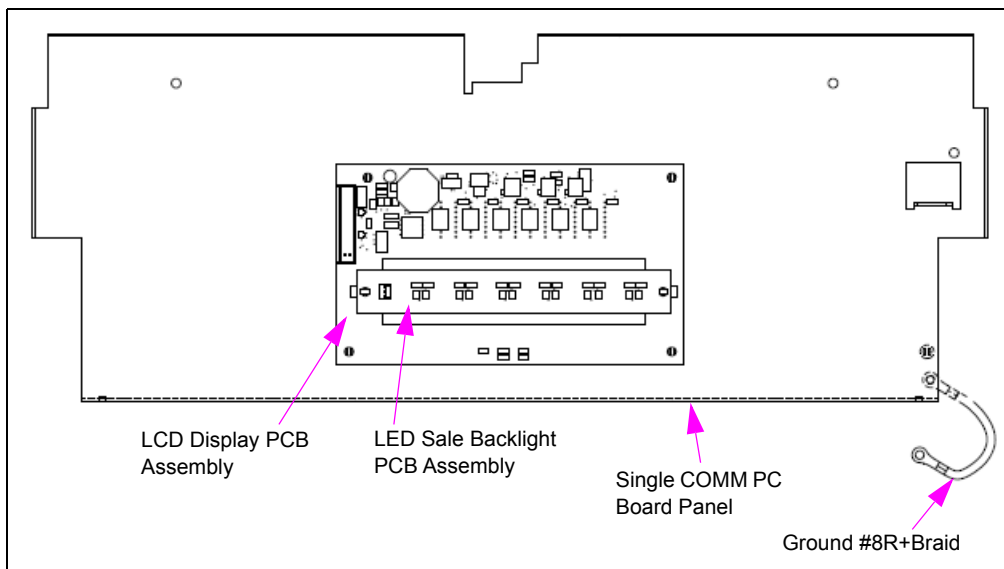
Item #	Part Description	Current Part	Quantity
1	Cable, E-CAL Switch	M00150A004	1
2	Cable, DC Power Atlas Commercial	M05107A002	1
3	Wire Assembly (S), Ground Strap-to-ring Term's	C06178	1
4	Cable, Valve Adapter	M11717A001	1
5	Cable, Coriolis Power	M07141A003	1
6	Cable, AC Filter to PS	M11716A001	1
7	Cable, AC in to Filter	M11715A001	1

Filter



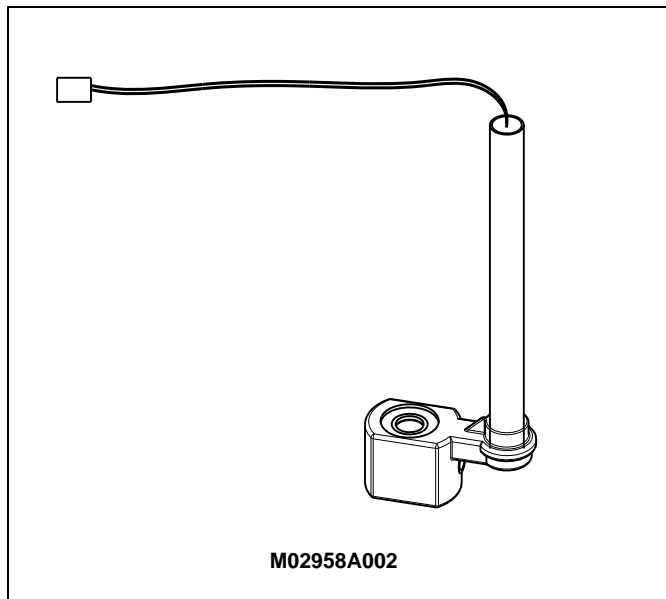
Item #	Part Description	Current Part	Quantity
1	Filter, Power Line 2 A/115-250 VAC	Q10362-02	1

Display Panel



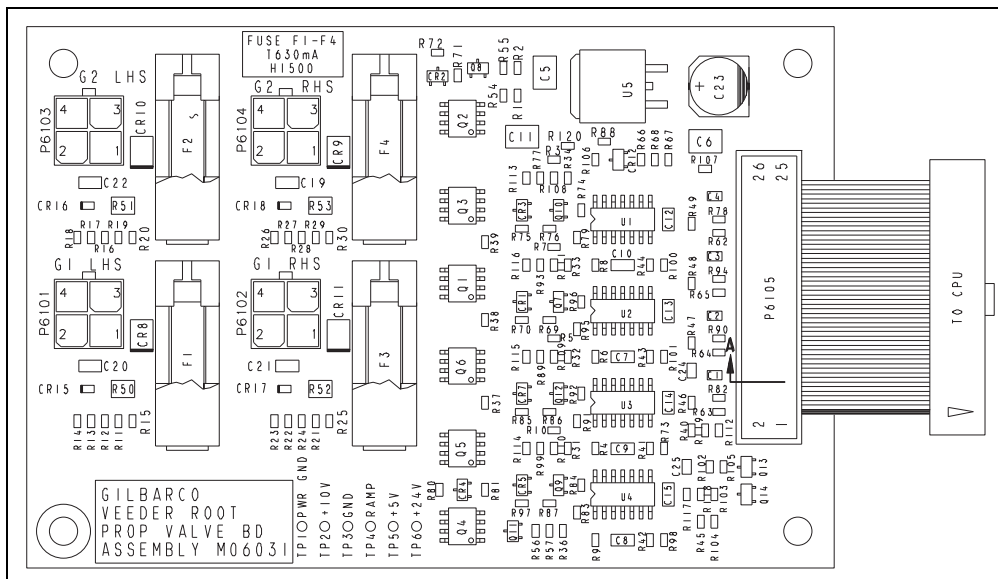
Item #	Part Description	Current Part	Quantity
1	Panel, PC Board Support, Single COMM, E85	M05045B002	1
2	PCB Assembly, LCD Display	M11714A002	1
3	PCB Assembly, LED Sale Backlight (for M11714A002 Display)	M12019A001	1
4	Cable Assembly, Ground #8R+Braid	C06178	1

Valve Coil



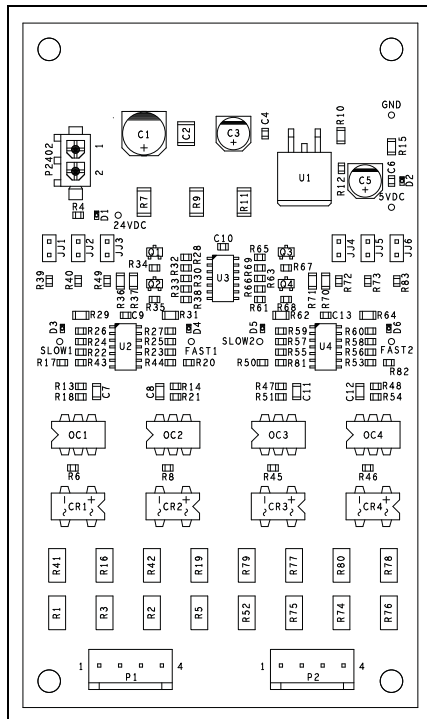
Item #	Part Description	Current Part	Quantity
1	Assembly Valve Coil with Conduit	M02958A002	1

Valve Controller PCA



Item #	Part Description	Current Part	Quantity
1	Valve Controller PCA	M06031A001	1

Valve Interface PCA



Item #	Part Description	Current Part	Quantity
1	Valve Interface PCA	M11480A001	1

Switching Power Supply

Item #	Part Description	Current Part	Quantity
1	Power Supply - Switching	M04161B005	1

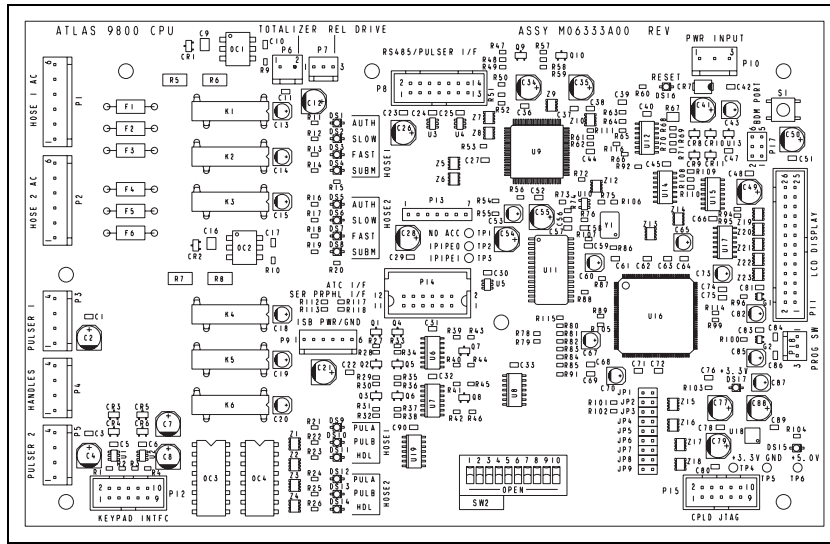
Power Supply

Refer to [“Commercial Power Supply”](#) on page 11-2.

Dual Pulse Output PCA

Refer to [“Pulse-out I/F/RS-485 I/F”](#) on page 11-3.

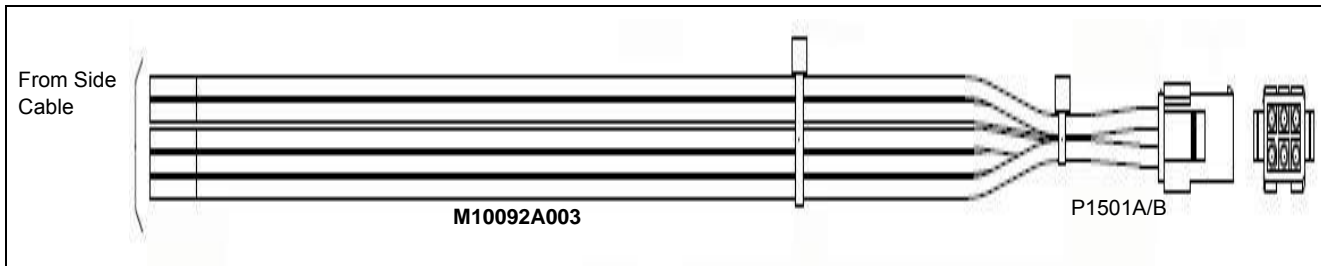
E85 CPU Board



Item #	Part Description	Current Part	Quantity
1	E85 CPU Board (with P-18 Connector)	M06333KECAL	1

DEF Unit

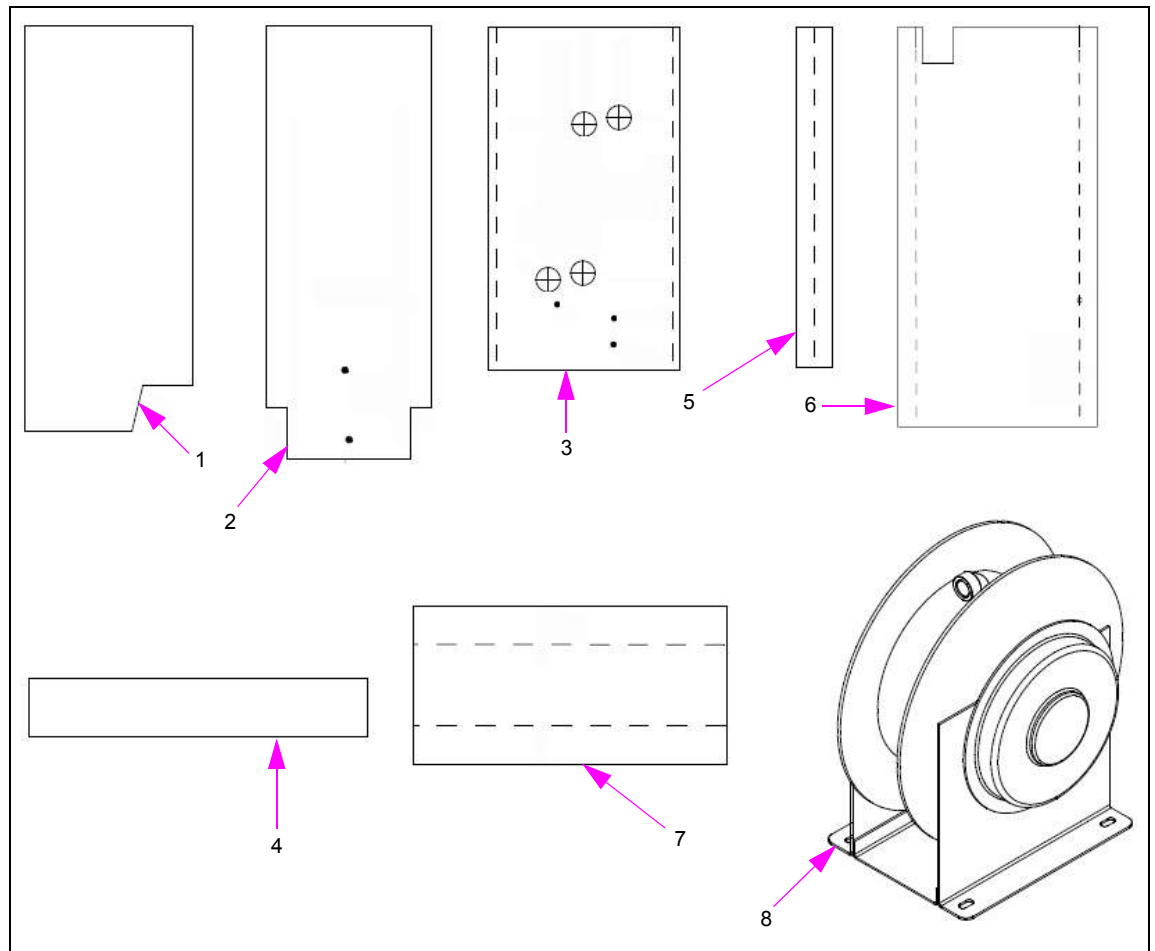
M10092A003 Cable Assembly and 140941824 Pump Handle



Item #	Part Description	Current Part	Quantity
1	Assembly, Coriolis Meter Conduit and Cable	M10092A003	1

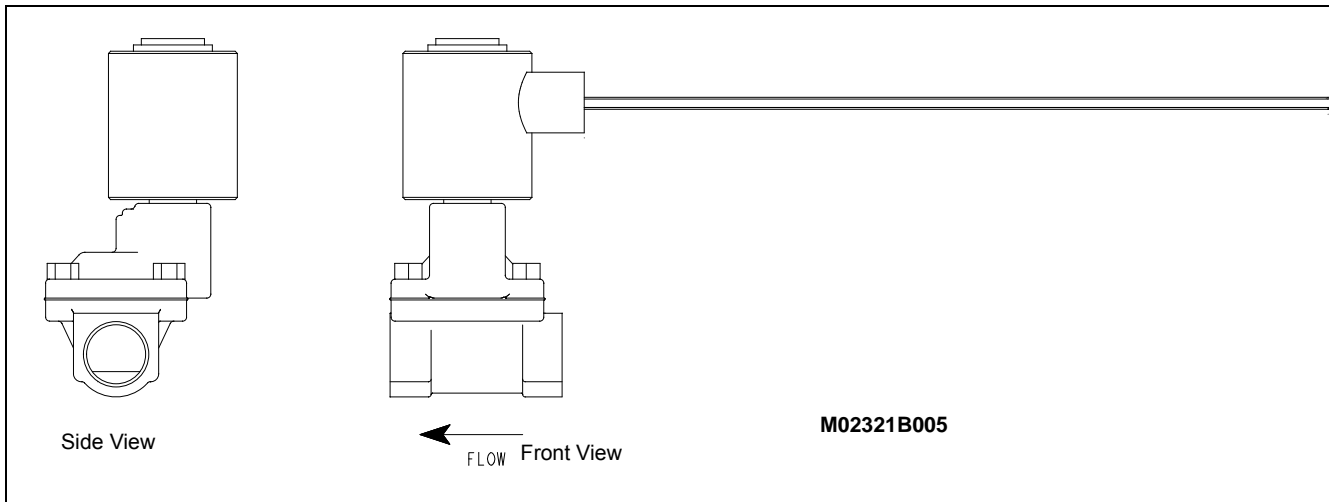
Item #	Part Description	Current Part	Quantity
Cold Weather DEF Front Panel			
1	Assembly, Panel Lower Door	M12101A101	1
2	Assembly, Weldment Frame	M12099A001	1
3	Assembly, Bracket Boot Pocket	M11991A001	1
4	Nozzle with Lock and Holder	M02428A001	1
5	Assembly, Hose Guide	M12104A001	1
6	Assembly, Flap Door (obsolete, see note)	M11997A002	1
7	Ring Retaining 1/4"	K82468-32	6
8	Cover, DEF Atlas	M12096B001	1
9	Assembly, Bracket, Magnet	M12188A001	2
10	Magnet, Type 5	M12211B001	1
11	Assembly, Bracket Nozzle Boot	M11992A001	1
12	Plate, DEF Atlas	M11999B001	1
13	Magnet, Type 2	M12168B001	2
14	Screw, Metric M6 X 12	M01257B101	5
15	Screw, Metric Phillips Pan-head M3 X 8	M00590B106	4
16	Screw, SEMS Phillips Pan-head M4 X 12	Q12845-59	2
17	Switch, Magnet ELOBAU	140941824	1
18	Pin, Clevis	M11078B003	2
	Pin, Clevis	M11078B004	1
19	Roller, Hose Protector	M12166B001	5
20	Nut, Metric Serrated	M00414B002	10
21	Screw, Metric M3 X 12 Flat-head	M00419B313	2
Not Shown			
-	Nut, Metric, Flange	M00414B005	4
<i>Note: Flap Door Assembly (M11997A002) is replaced by (M13855A001).</i>			

Cold Weather DEF Insulation and Hose Reel



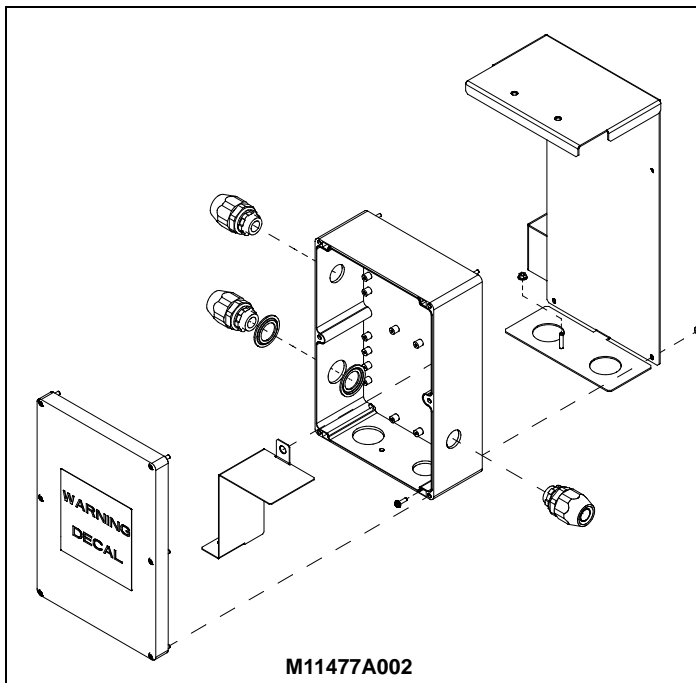
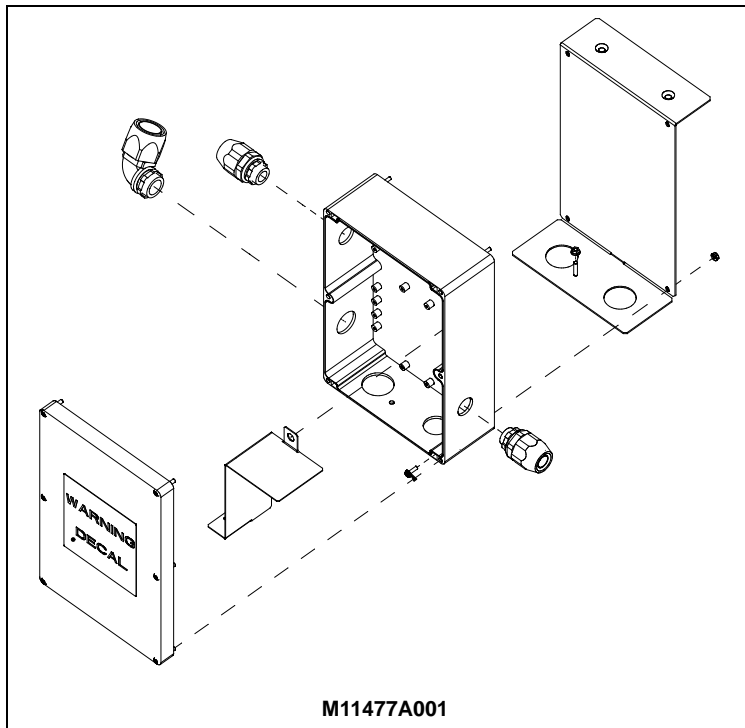
Item #	Part Description	Current Part	Quantity
Cold Weather DEF Insulation			
1	Insulation, Side	M11166B001	2
2	Assembly, Insulation	M11166A002	2
3	Assembly, Insulation	M11166A004	1
4	Insulation	M11166B005	2
5	Assembly, Insulation	M11166A007	1
6	Assembly, Insulation	M11166A008	1
7	Assembly, Insulation	M11166A009	1
8	Hose Reel DEF Assembly	M11270B001	1

Two-stage Valve Assembly



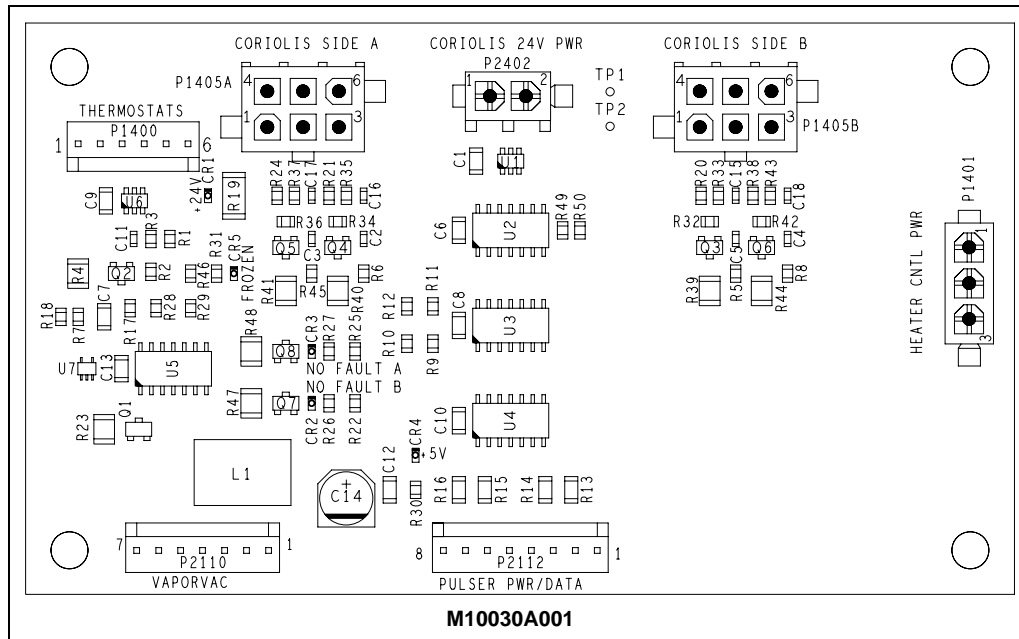
Item #	Part Description	Current Part	Quantity
1	Two-stage Valve Assembly	M02321B005	1

J-box



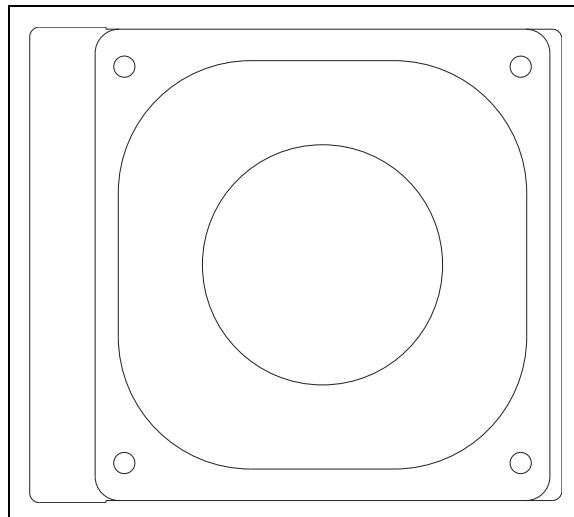
Item #	Part Description	Current Part	Quantity
1	Assembly, J-box (Cold Weather)	M11477A001	1
2	Assembly, J-box (Warm Weather)	M11477A002	1

Coriolis Interface



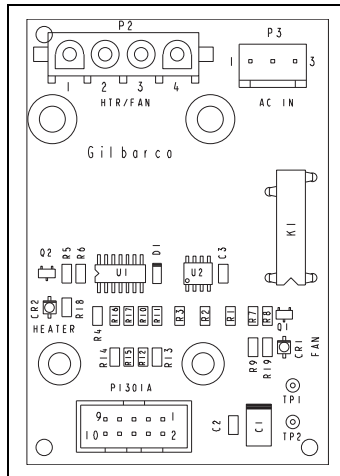
Item #	Part Description	Current Part	Quantity
1	PCA, Coriolis Interface	M10030A001	1

Heater/Fan Assembly



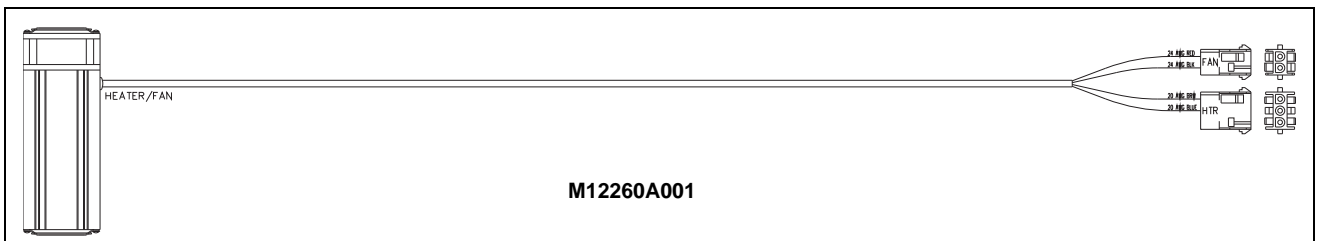
Item #	Part Description	Current Part	Previous Part	Quantity
1	Heater/Fan Assembly 750 W	Q13254-05	Q13254-03	1

Temperature Control PCA



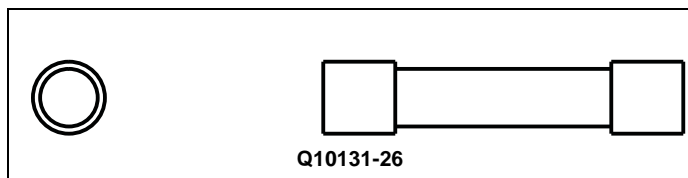
Item #	Part Description	Current Part	Quantity
1	Temperature Control PCA	M06783A001	1

Fan/Heater



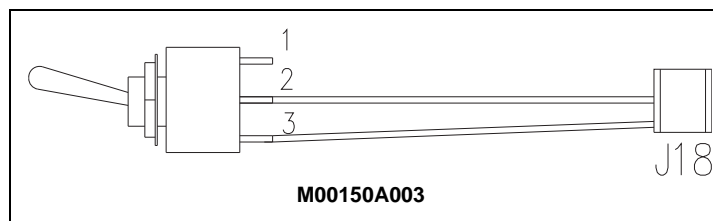
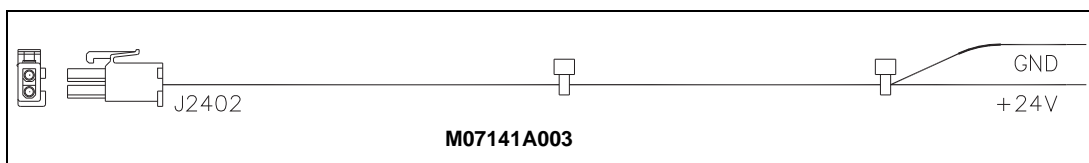
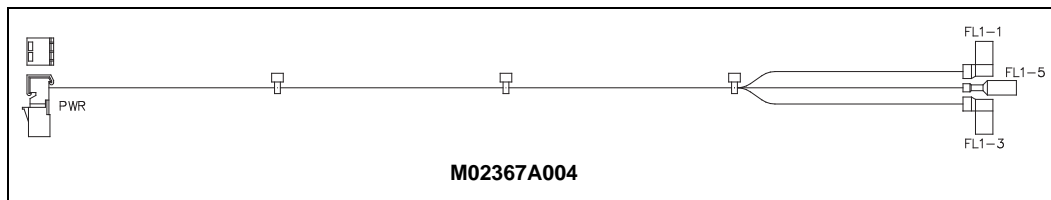
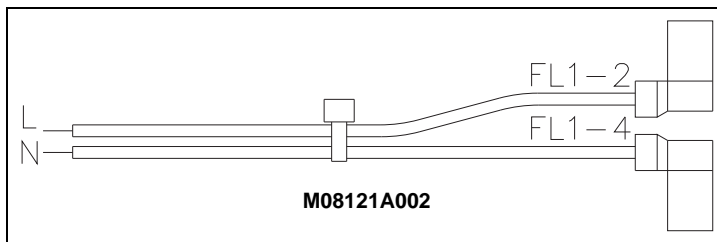
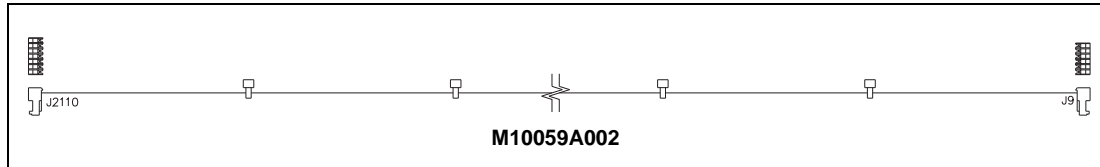
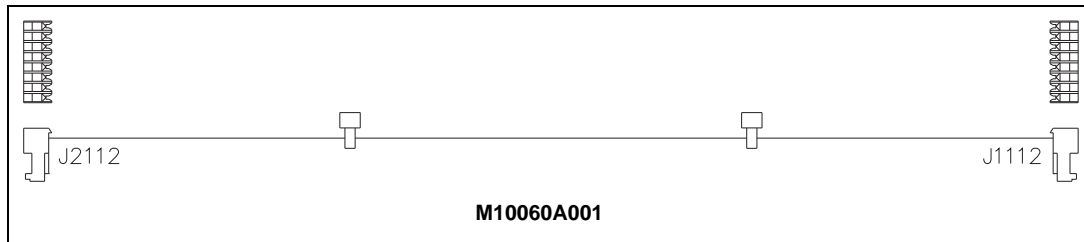
Item #	Part Description	Current Part	Quantity
1	Fan/Heater 230 W	M12260A001	1

Fuse



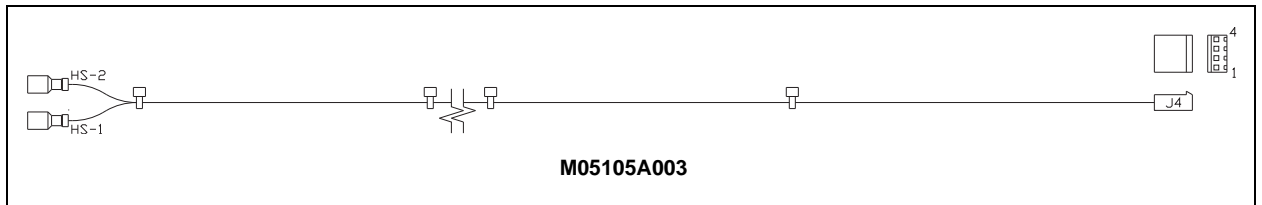
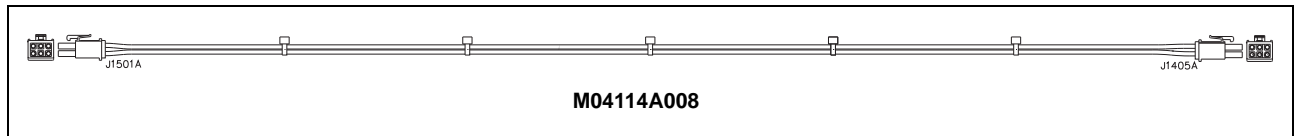
Item #	Part Description	Current Part	Quantity
1	4 A Fuse	Q10131-26	1

Cables



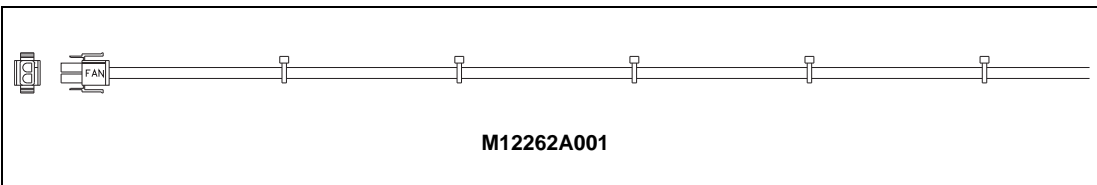
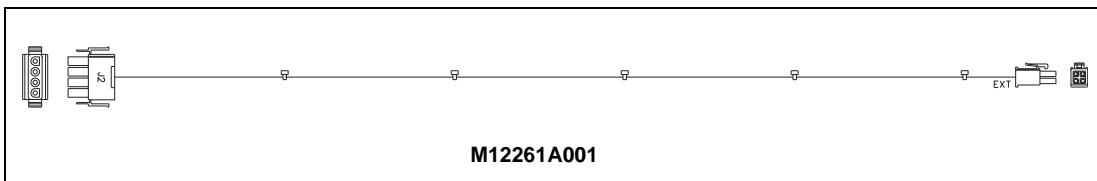
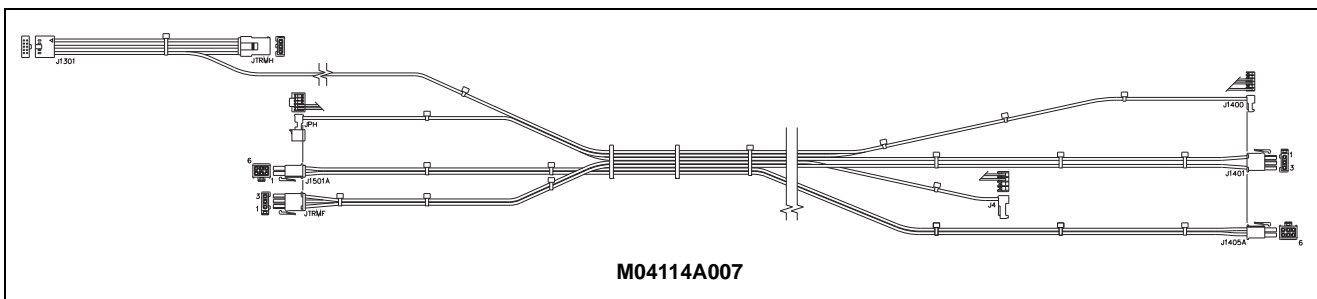
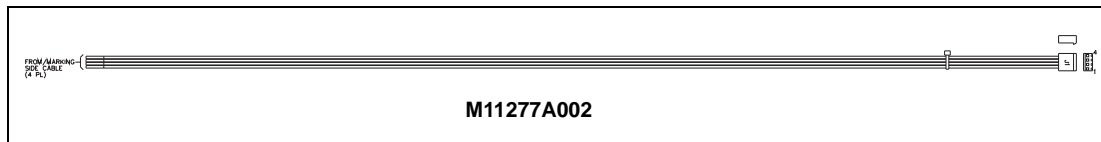
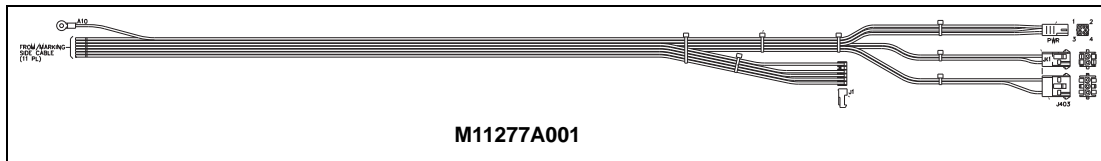
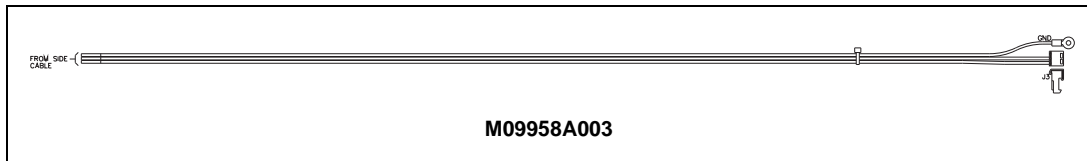
Item #	Part Description	Current Part	Quantity
1	Cable, Coriolis Interface Pulser to Pump Control Node (PCN)	M10060A001	1
2	Cable, Coriolis Interface Frozen Thermo to VaporVac® Input	M10059A002	1
3	Cable, AC Line Filter Power Supply	M08121A002	1
4	Cable, Cash Acceptor Line Filter	M02367A004	1
5	Cable, +24 VDC Power	M07141A003	1
6	Cable, E-CAL Switch	M00150A003	1

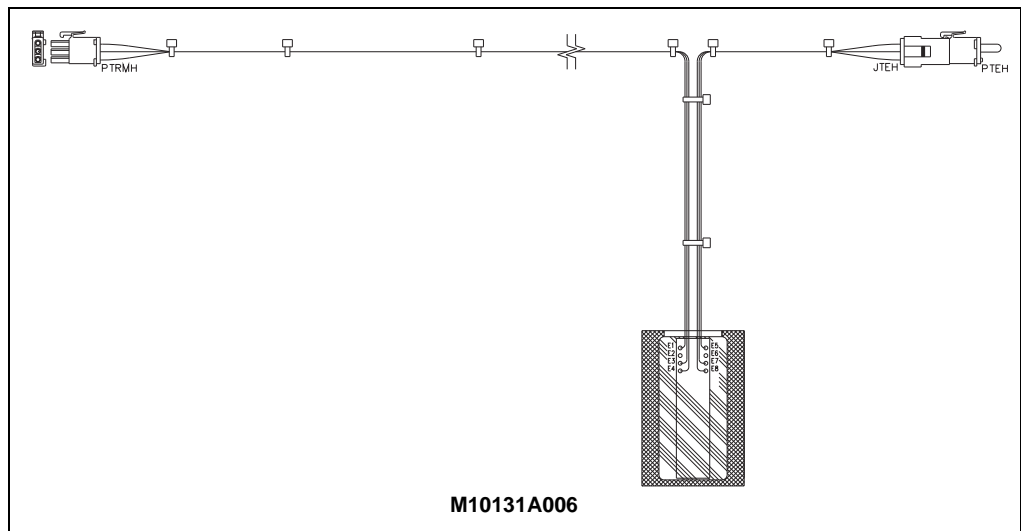
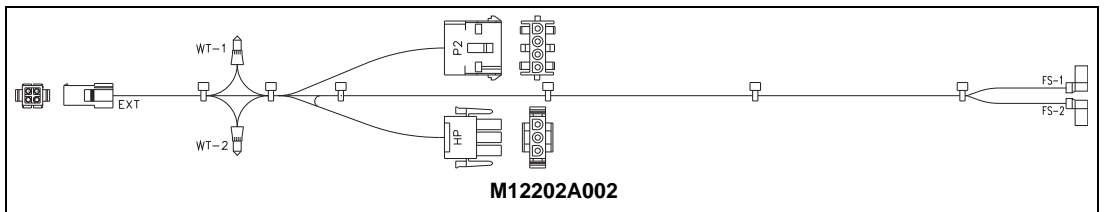
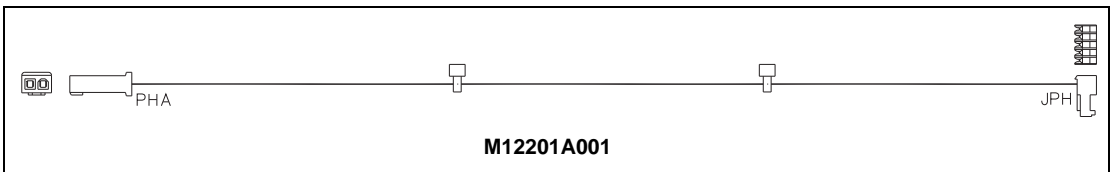
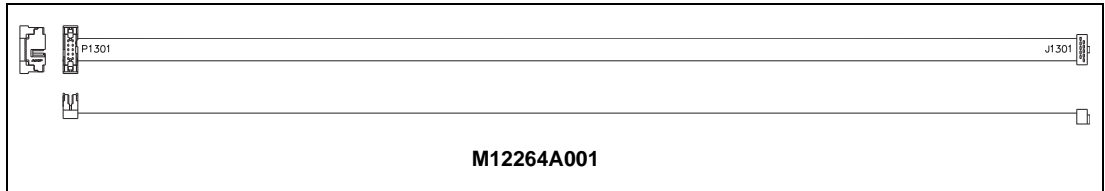
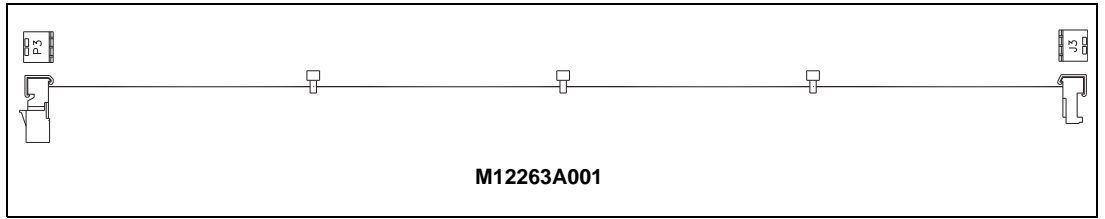
WW DEF

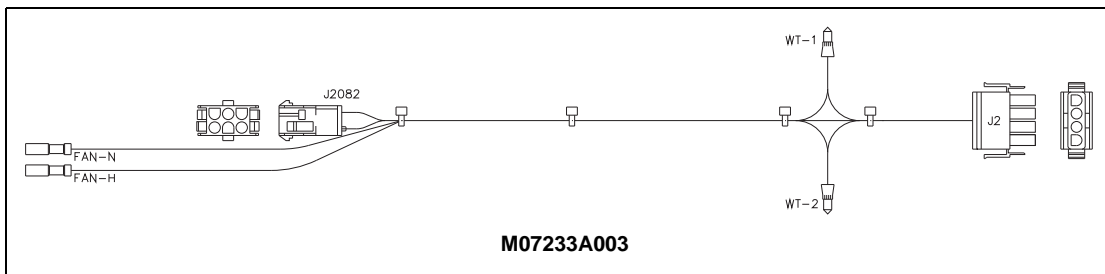
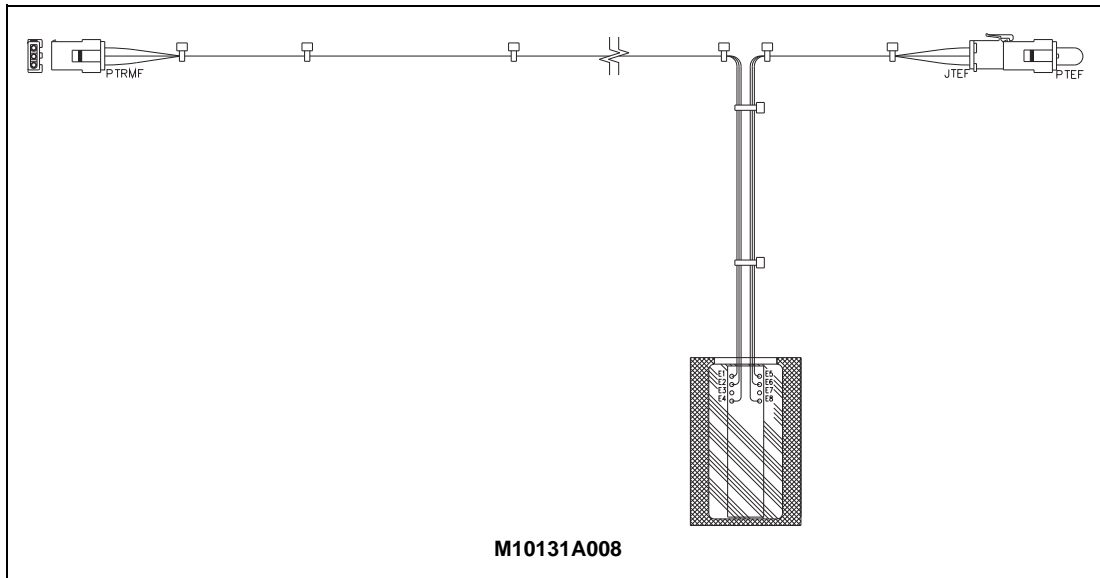


Item #	Part Description	Current Part	Quantity
1	Assembly, Conduit and Cable, DEF, and SMART Meter™ Pulser	M04114A008	1
2	Cable, Handle Switch Dual/Single	M05105A003	1

CW DEF

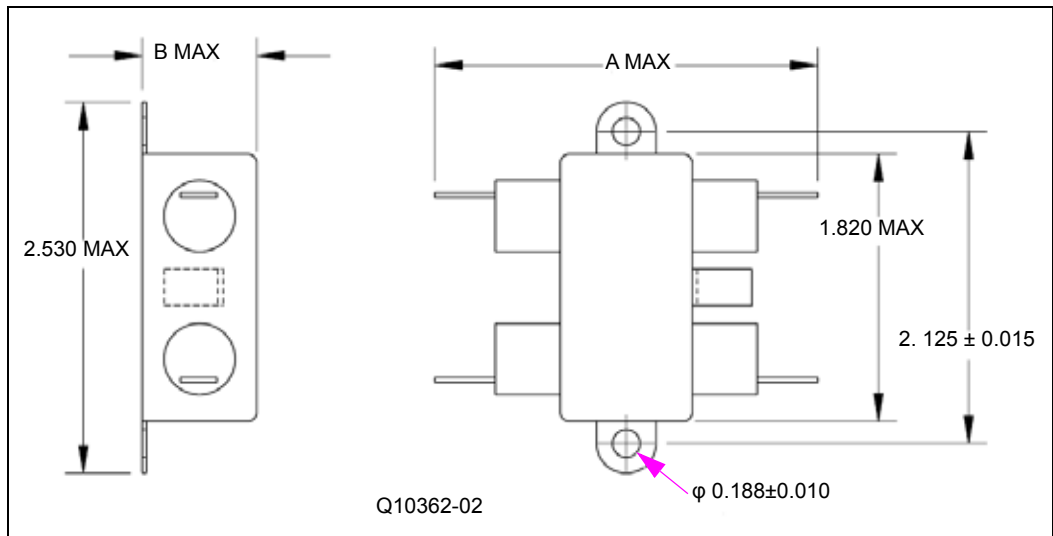






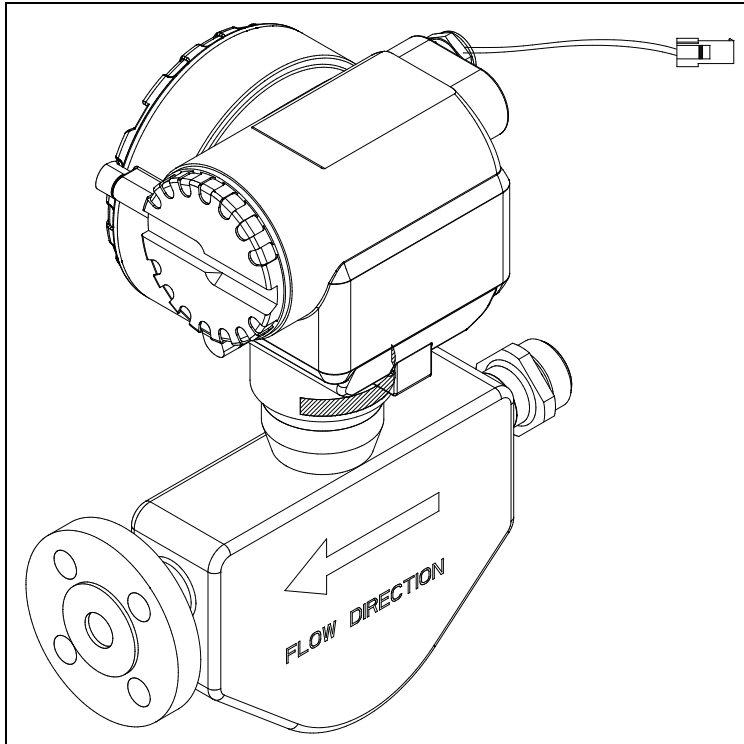
Item #	Part Description	Current Part	Quantity
1	Assembly, Conduit and Cable	M09958A003	1
2	Assembly, Main DEF AC Cable	M11277A001	1
3	Assembly, Main DEF DC Cable	M11277A002	1
4	Assembly, Conduit and Cable, DEF and SMART Meter Pulser	M04114A007	1
5	Cable, Heater Relay Extender	M12261A001	1
6	Cable, +24 V to Heater	M12262A001	1
7	Cable, AC Extender	M12263A001	1
8	Cable, Heater Relay Extender	M12264A001	1
9	Cable, Pump Handle	M12201A001	1
10	Cable, Splitter Heater	M12202A002	1
11	Cable, Temperature Sensor DEF (Heater)	M10131A006	1
12	Cable, Temperature Sensor DEF (Frozen)	M10131A008	1
13	Cable, Heater Adapter	M07233A003	1

Power Line Filter



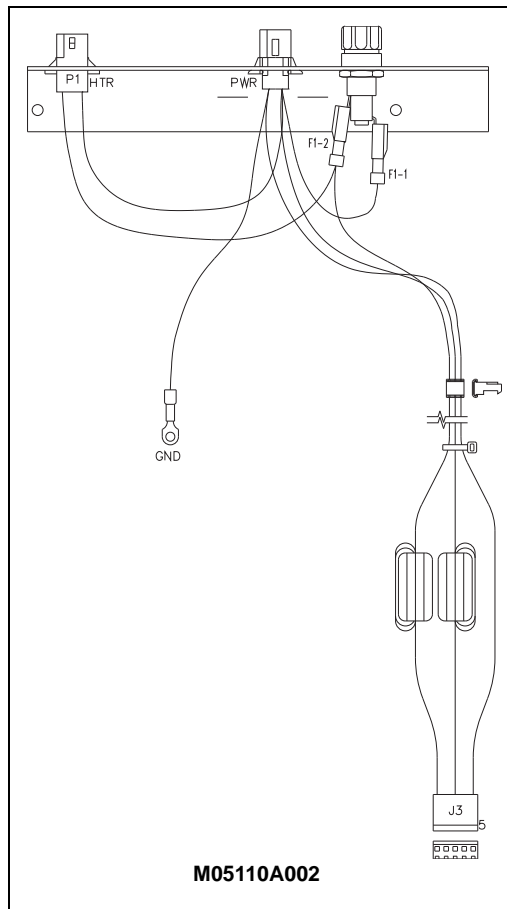
Item #	Part Description	Current Part	Quantity
1	Filter, Power Line 2 A/115-250 VAC	Q10362-02	1

Coriolis Meter



Item #	Part Description	Current Part	Previous Part	Quantity
1	Coriolis Meter	M10006A003	M10006A001	1

AC Bracket Assembly



Item #	Part Description	Current Part	Quantity
1	AC Bracket Assembly	M05110A002	1

This page is intentionally left blank.