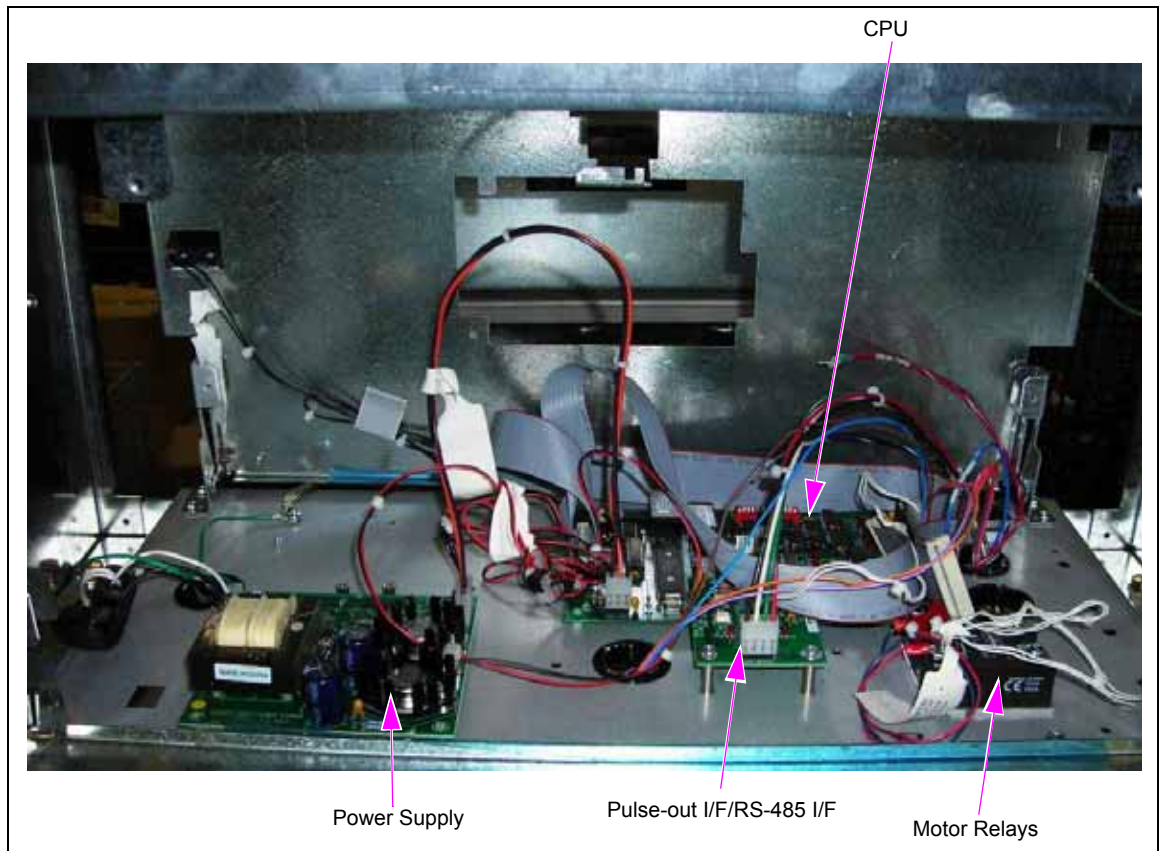


## 22 – Ultra-Hi Electronics Section

### Commercial Rear View



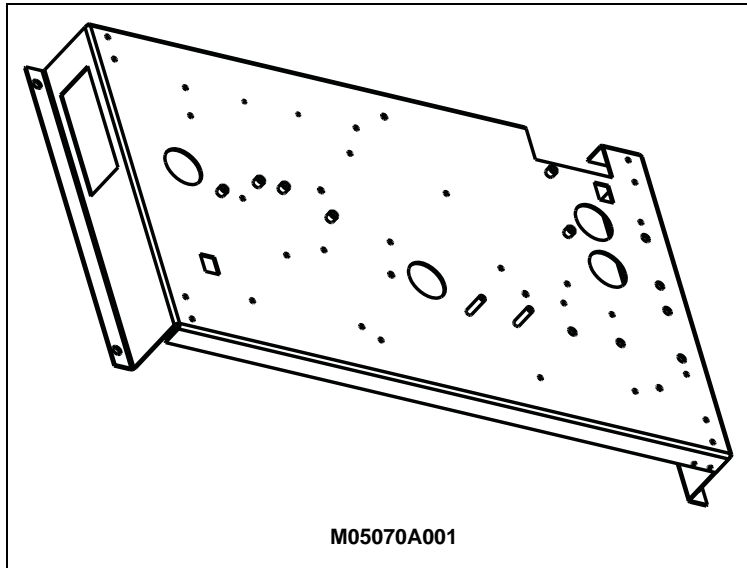
### Power Supply

Refer to “Commercial Ultra-Hi PCBs” on page 23-1.

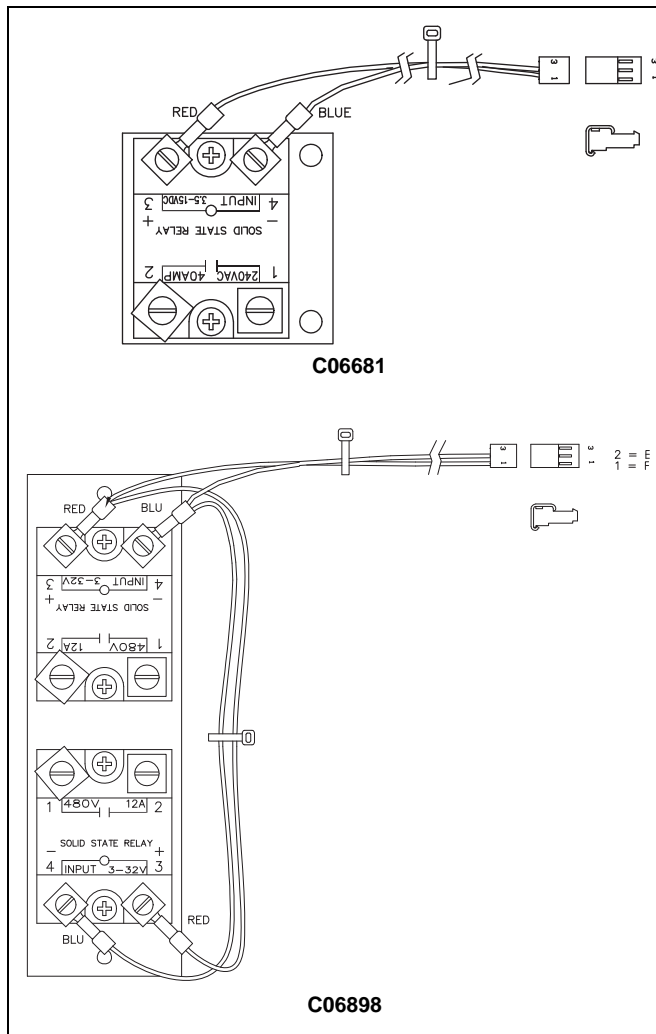
### CPU

Refer to “Commercial Ultra-Hi PCBs” on page 23-1.

# Base Electronics Mounting Platform



# Motor Relay Ultra-Hi



Item #	Part Description	Current Part	Previous Part	Quantity
1	Motor Relay, Single	C06681	-	1
2	Motor Relay, Dual	C06898	-	1

*This page is intentionally left blank.*