

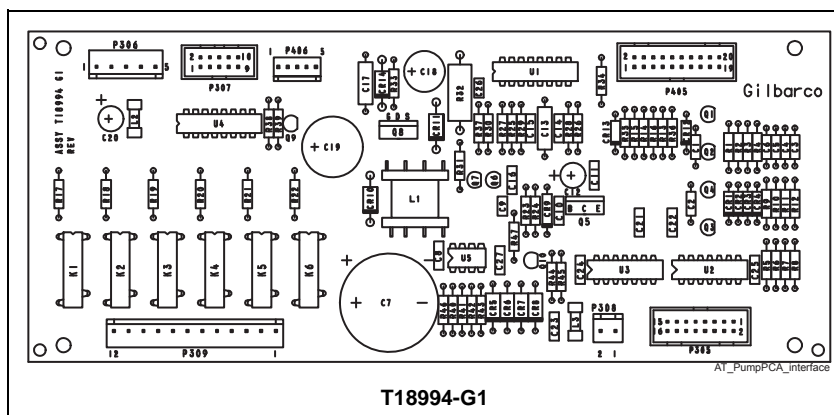
14 – Retail PCBs

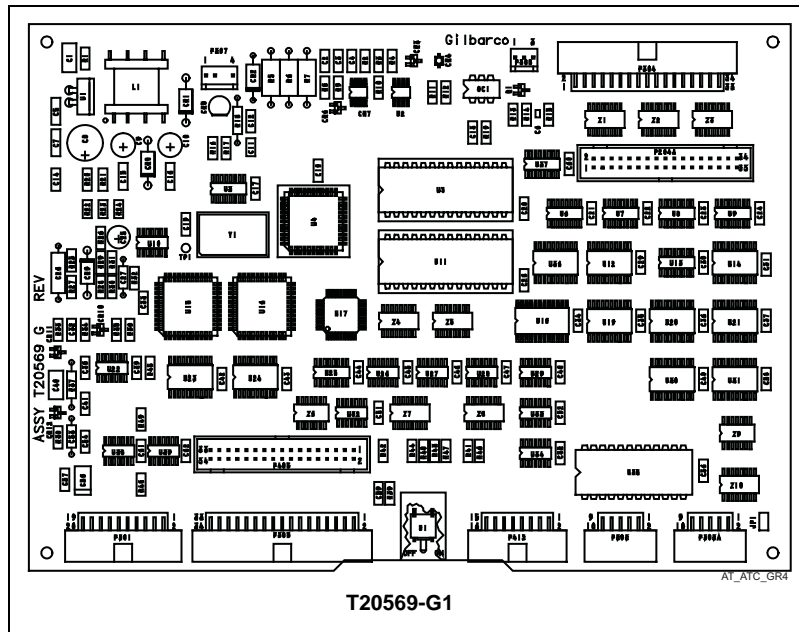
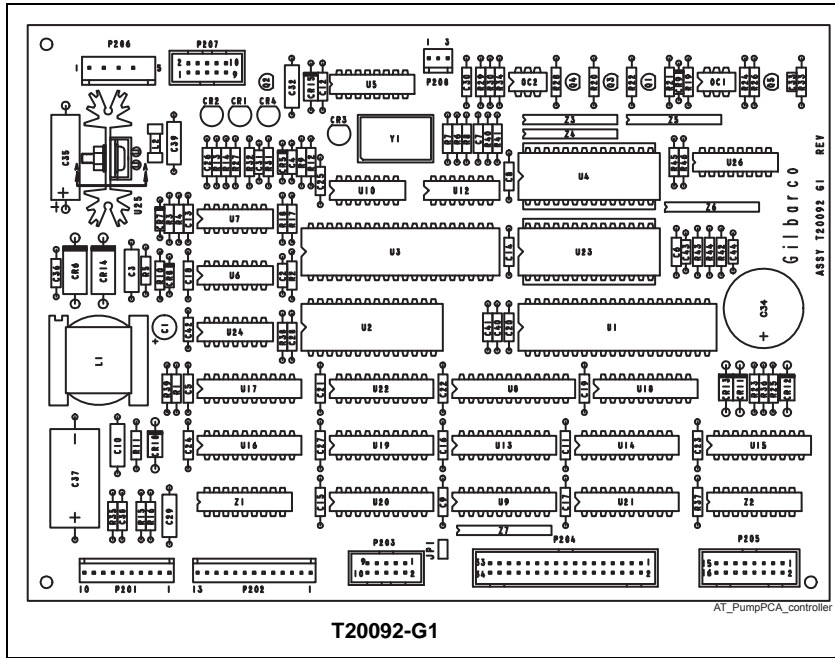
Electronic Retail PCBs

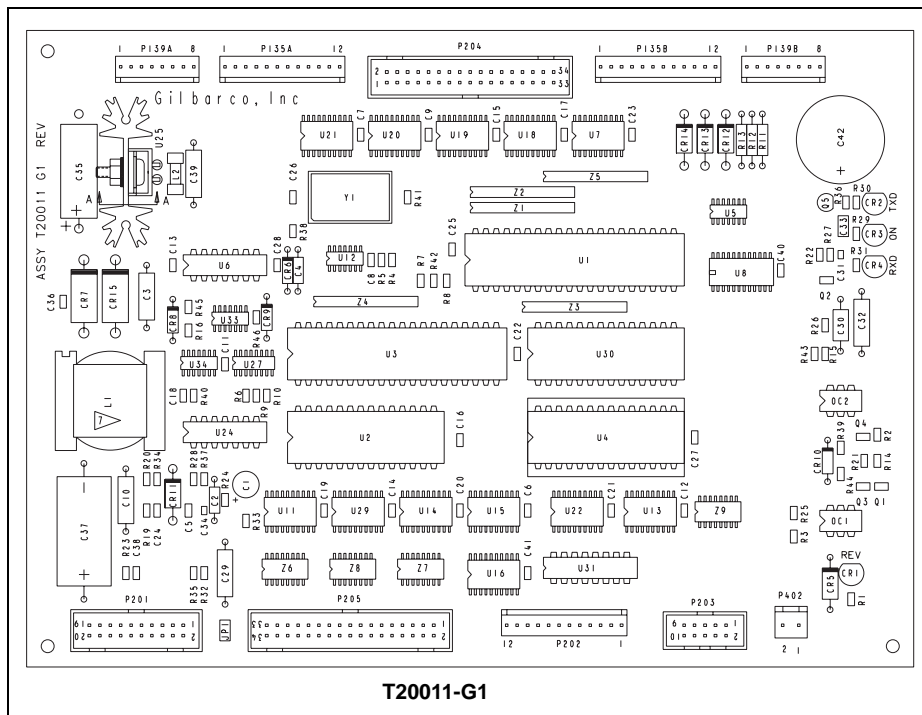
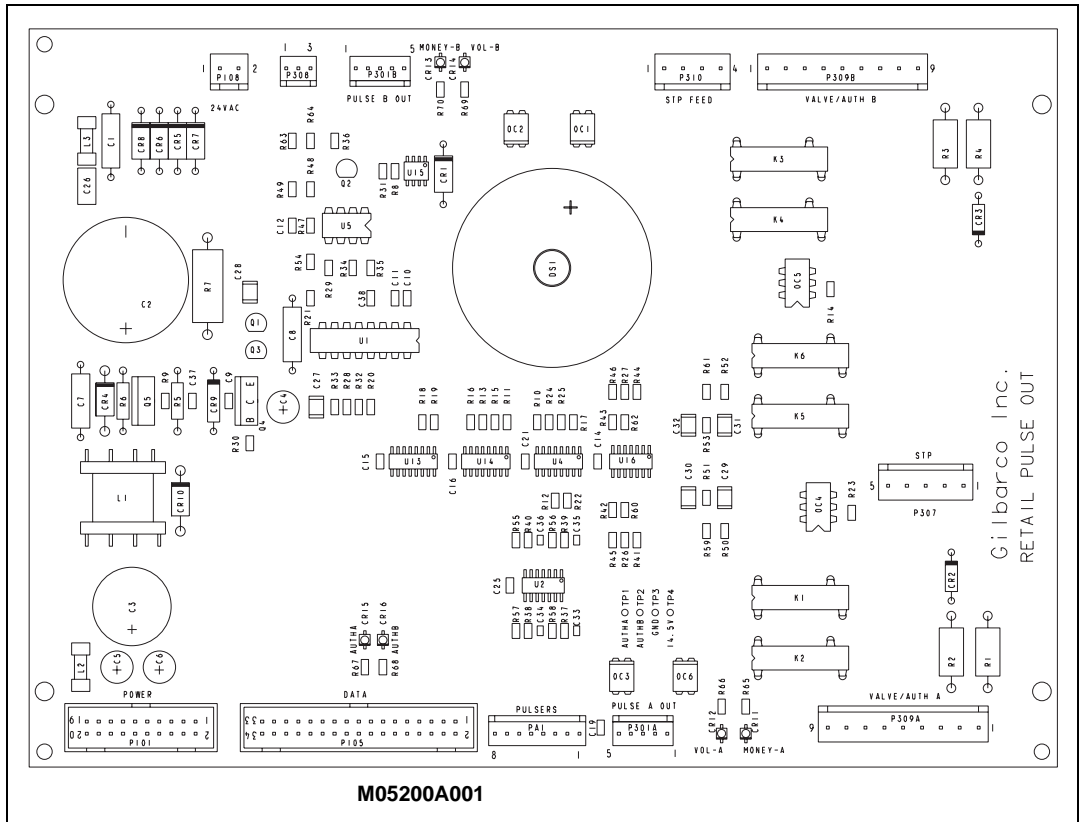
Part Description	Where Used	Current Part	Previous Part	Quantity
PCA, Pump Interface	1, 2, 3, 4	T18994-G1	-	1 per Unit
PCA, Pump Controller	1, 2, 3, 4	T20092-G1	-	1 per Unit
PCA, Optimum ATC Grade 4	2, 4	T20569-G1	-	1 per Unit
PCA, Pump Interface, Retail Pulse-out	5	M05200A001	-	1 per Unit
PCA, Pump Controller	5	T20011-G1	-	1 per Unit
PCA, Programmable Pump Preset (PPP)	3, 4	T17331-G3	-	1 per Unit
PCA, Front-load I.S. Barrier	6	T19301-G1	-	1 per Unit

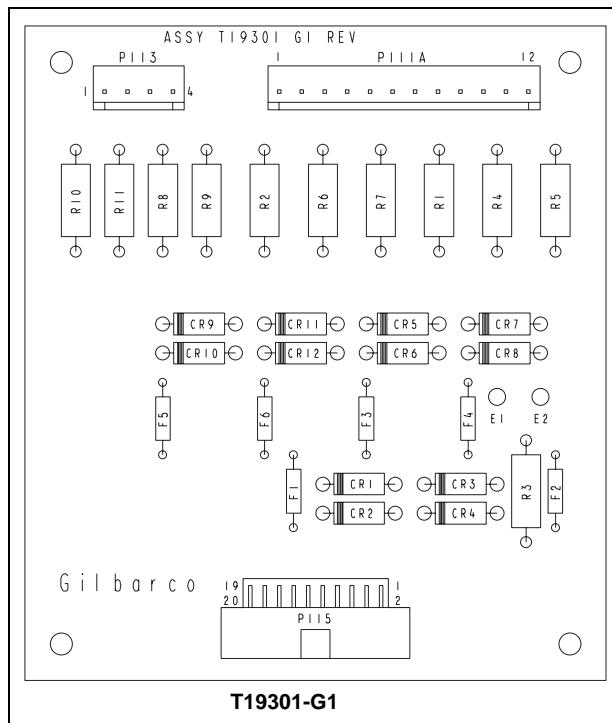
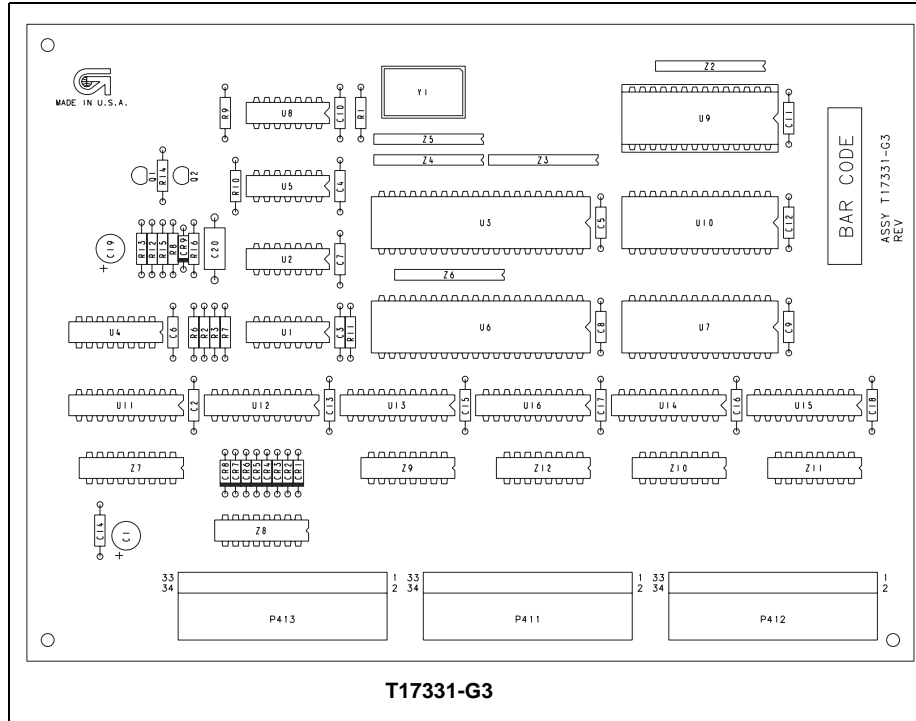
Where Used:
 All = All Electronic Retail Units
 1 = Standard Electronic Retail Units
 2 = Electronic Retail Units with ATC
 3 = Electronic Retail Units with PPP
 4 = Electronic Retail Units with ATC and PPP
 5 = Electronic Retail Units with Pulse-out
 6 = Electronic Retail Units with Front-load Nozzle Boot

See the following Electronic Retail PCB graphics:

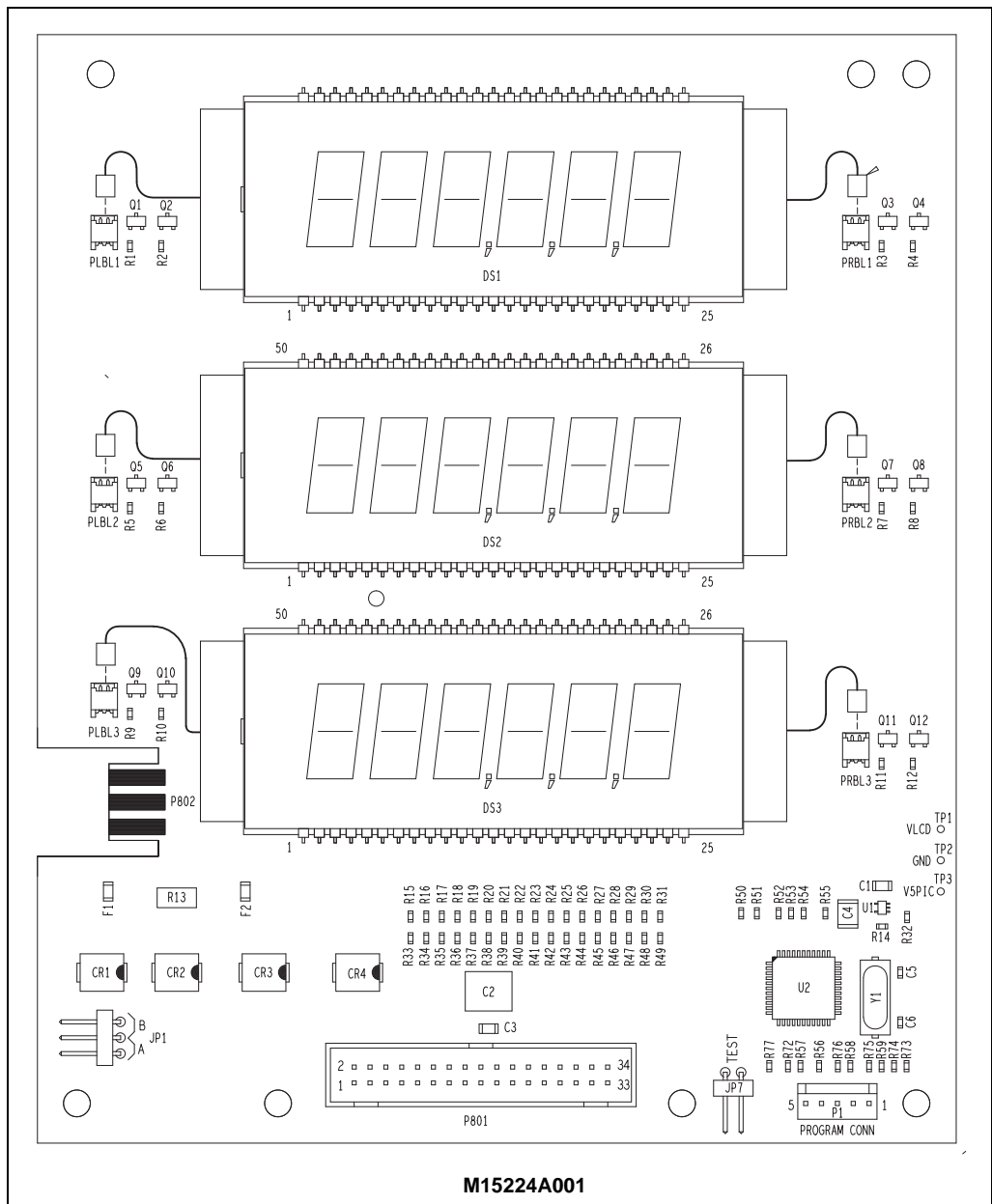


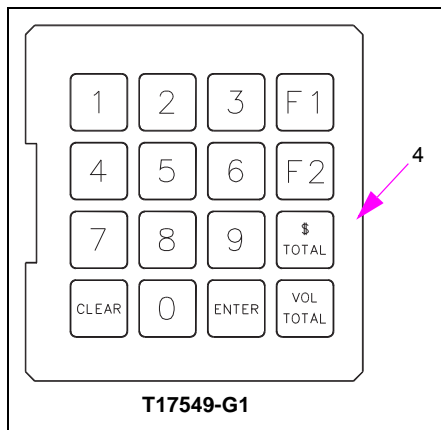
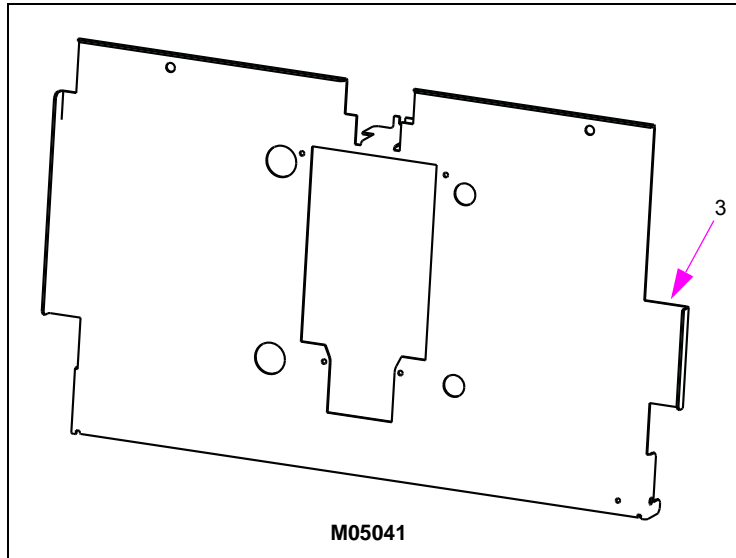






Displays and Display Panels

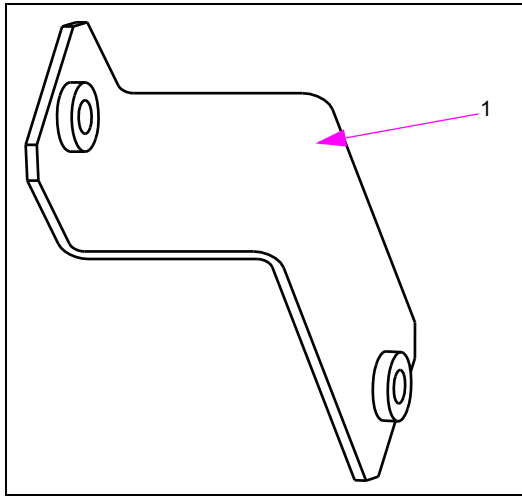




Item #	Part Description	Current Part	Previous Part	Quantity
1	PCB, LCD Main Display	M15224A001	T18981-G1	2 per Meter
2	Display Panel Single	M05041B001	-	1 per Side
	Display Panel Dual	M05040B001	-	1 per Side
3	Manager Keypad	T17549-G1	-	1 per Unit

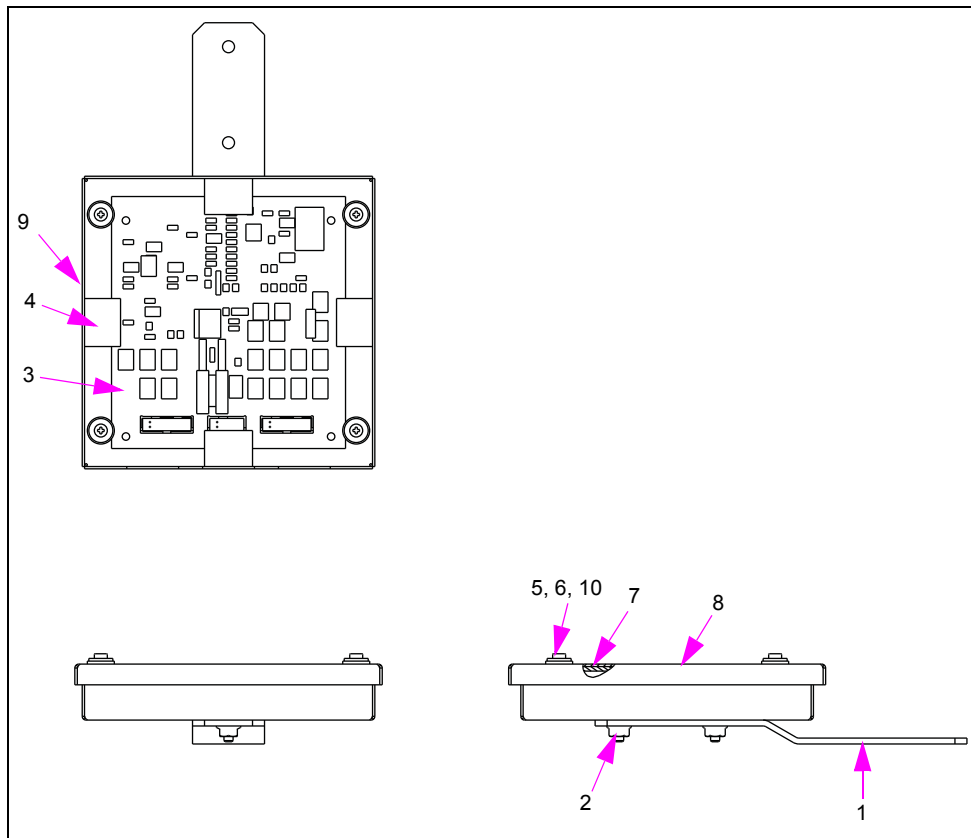
Note: T17622-G9 is obsolete.

Display Panel Stop Bracket



Item #	Part Description	Current Part	Previous Part	Quantity
1	Bracket, PC Board Support	M05611A002	M05611A001	1

ATC T-Meter Module



Item #	Part Description	Current Part	Previous Part	Quantity
	T-Meter Module	T19405-G4	-	1
1	• Bracket, T-Meter Module Mounting	M05625B001	-	1
2	• Nut Hexagonal Flanged #10-32	Q11890-03	-	2
3	• PCB Assembly, T-Meter	T19386-G1	-	1
4	• Ribbon Cable Support Block	N23616-02	-	4
5	• Screw, Self Locking PPDH 6-32 X 0.38	K93293-06	-	4
6	• Spacer/Washer Tabulation	Q10385-32	-	4
7	• T-Meter Housing Cover Gasket	R20129-01	-	1
8	• T-Meter Module Cover	T19397-01	-	1
9	• T-Meter Module Housing	T19319-G1	-	1
10	• Washer, Flat 0.149 X 0.500 X 0.056	N16599-48	-	4
Not Shown				
-	• Cable Assembly, T-Meter I.S. Barrier	R20147-G1	-	1
-	• Cable Assembly, T-Meter Probe	R20148-G3	-	2