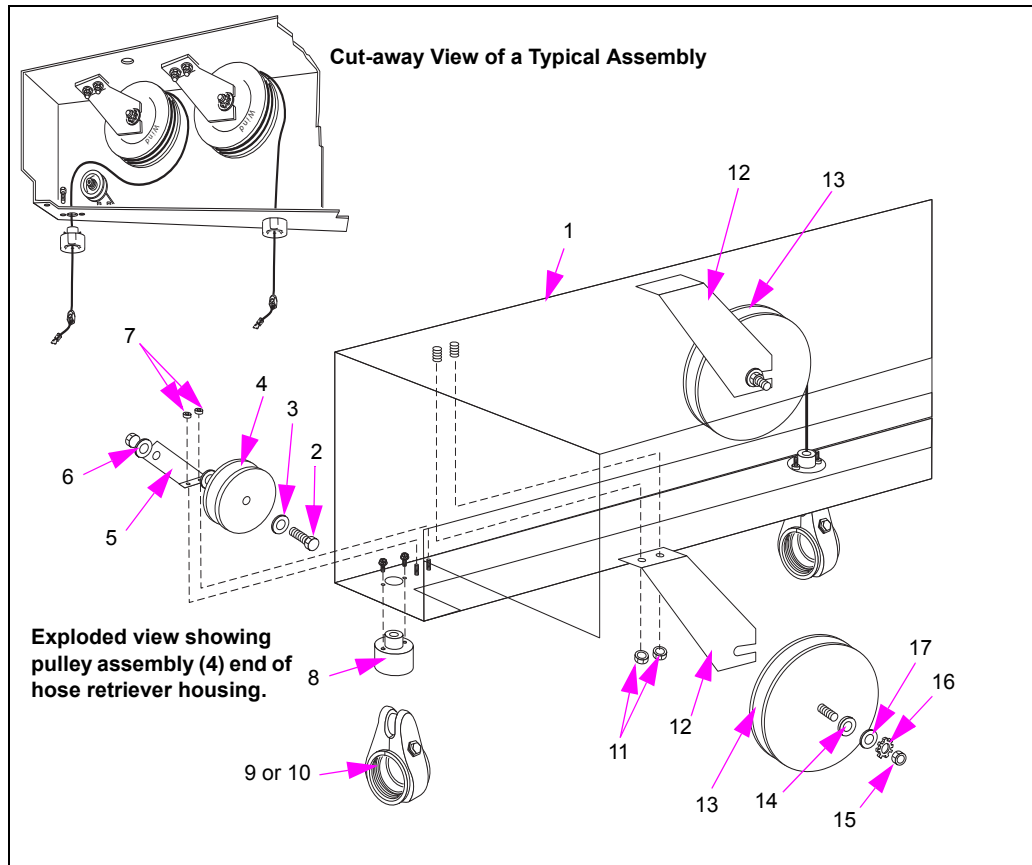


8 – Hose Retrievers Section

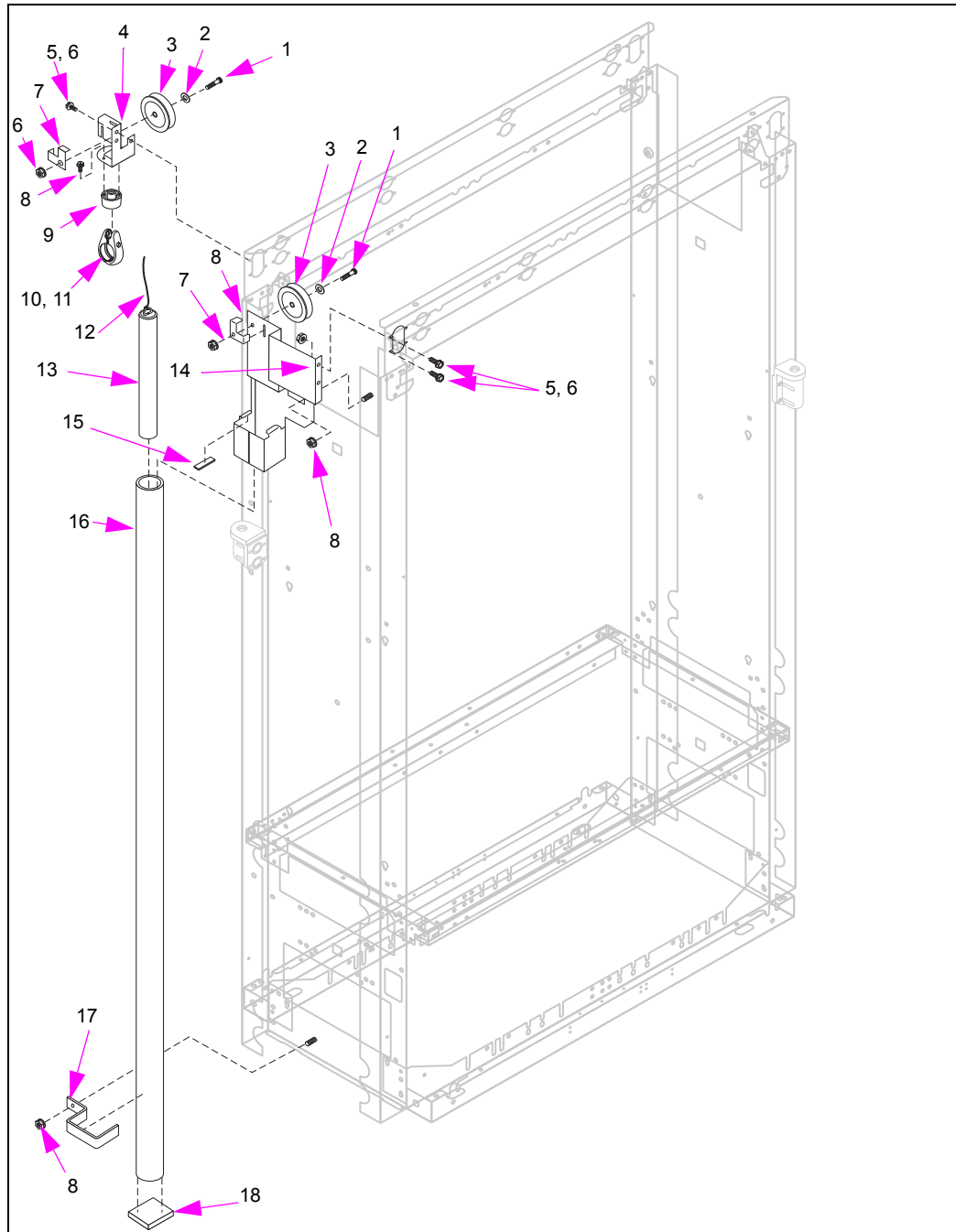
Hose Retriever Kits (K35518, K35519, K35520, and K35521)

Note: Hose Retriever kit K35518 is obsolete with no replacement.



Item #	Part Description	Current Part	Previous Part	Quantity
1	Housing Assembly, Hose Retriever	W02882-G1 W02886-G1	-	(see note 1)
2	Bolt, Shoulder, 5/16-18 X 1-1/4"	Q10113-02	-	1
3	Washer, 3/8"	K02206	-	1
4	Pulley Assembly	M06434A001	K85151	1
5	Pulley Bracket	N22363	-	1
6	Nut, 5/16-18	Q10113-02	-	1
7	Nut, #10-32	Q11890-03	-	2
8	Nylon Rope Grommet	R18450	-	(see note 1)
9	Hose Clamp, Non-vapor Recovery Hose (assembly, inner halves)			
	• 1" hose, Clamp Assembly	N18320-21	-	(see note 1)
	• Inner Halves Only for 3/4" (for use with N18320-21 assembly)	N18319-04	-	(see notes 1 and 2)
	• Inner Halves Only for 5/8" (for use with N18320-21 assembly)	K35522	-	(see notes 1 and 2)
10	Hose Clamp, Vapor Recovery Hose			
	• VST (balance-vapor)	R19493-01	-	(see note 1)
	• Dayco® (balance-vapor) (see note 3)	R19493-02	-	(see note 1)
	• Clamp Hose (vapor recovery) Goodyear® 1" Flexsteel® Hardwall Hose (obsolete, see note 5)	-	R19493-03	(see note 1)
	• Thermoid (VaporVac)	R19493-04	-	(see note 1)
	• Goodyear (VaporVac) (obsolete, see note 5)	-	K94240	(see note 1)
	• Goodyear Maxxim Premier (balance)	R19493-06	-	(see note 1)
	• Thermoid (balance)	R19493-07	-	(see note 1)
11	Nut, Serrated 5/16-18	Q11890-05	-	(see note 1)
12	Hanger, Cable Reel	R14860	-	(see note 1)
13	Retriever Reel	N20545-03	-	(see note 1)
14	Spacer (part of retriever reel assembly N20545-03) (Spare Parts Item)	N16839-01	-	1
15	Nut, 1/2-13 (part of retriever reel assembly N20545-03)	K01945	-	1
16	Washer, External Tooth Lock	K47433	-	1
17	Washer, Flat	K02208	-	1
Not Shown				
-	Nylon Rope, 84"	K87218-02	-	(see note 1)
Notes: 1. Quantity varies with model. 2. Cannot be used alone, must be used in conjunction with Hose Clamp (N18320-21). 3. Dayco Balance-vapor (R19493-02) was previously sold as part of K35523 kit. 4. All parts may not be available as spare parts. 5. No replacement.				

Extended Reach Hose Retriever Option - MPD Single-hose Only



- Notes: 1) This is for 3-grade single side or two side blender + 0.
 2) Not offered as a kit, factory built only.
 3) Not available on left side of unit.

Used on 3-grade single-hose and blender wide frame.