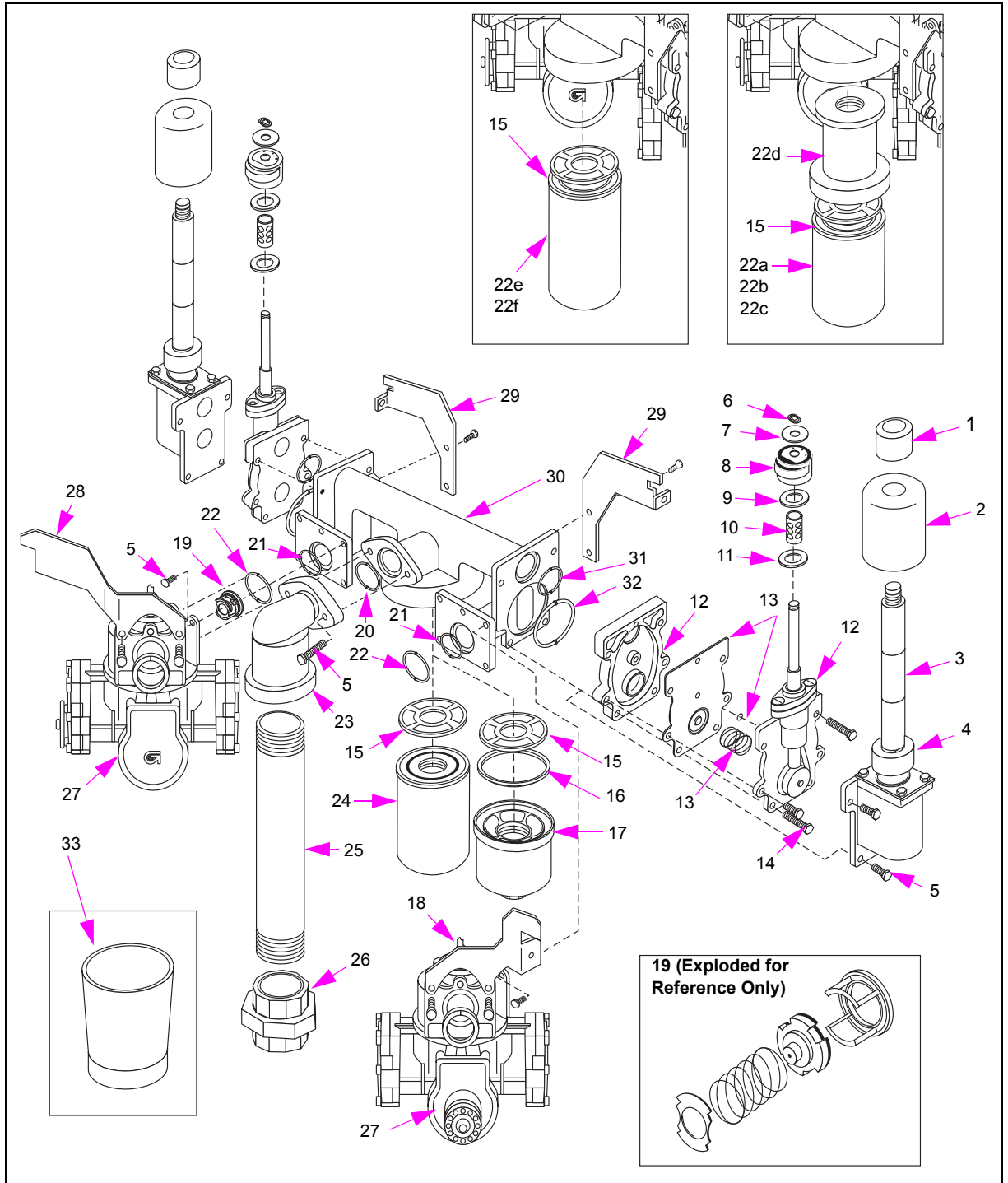


6 – Hydraulics Module Section

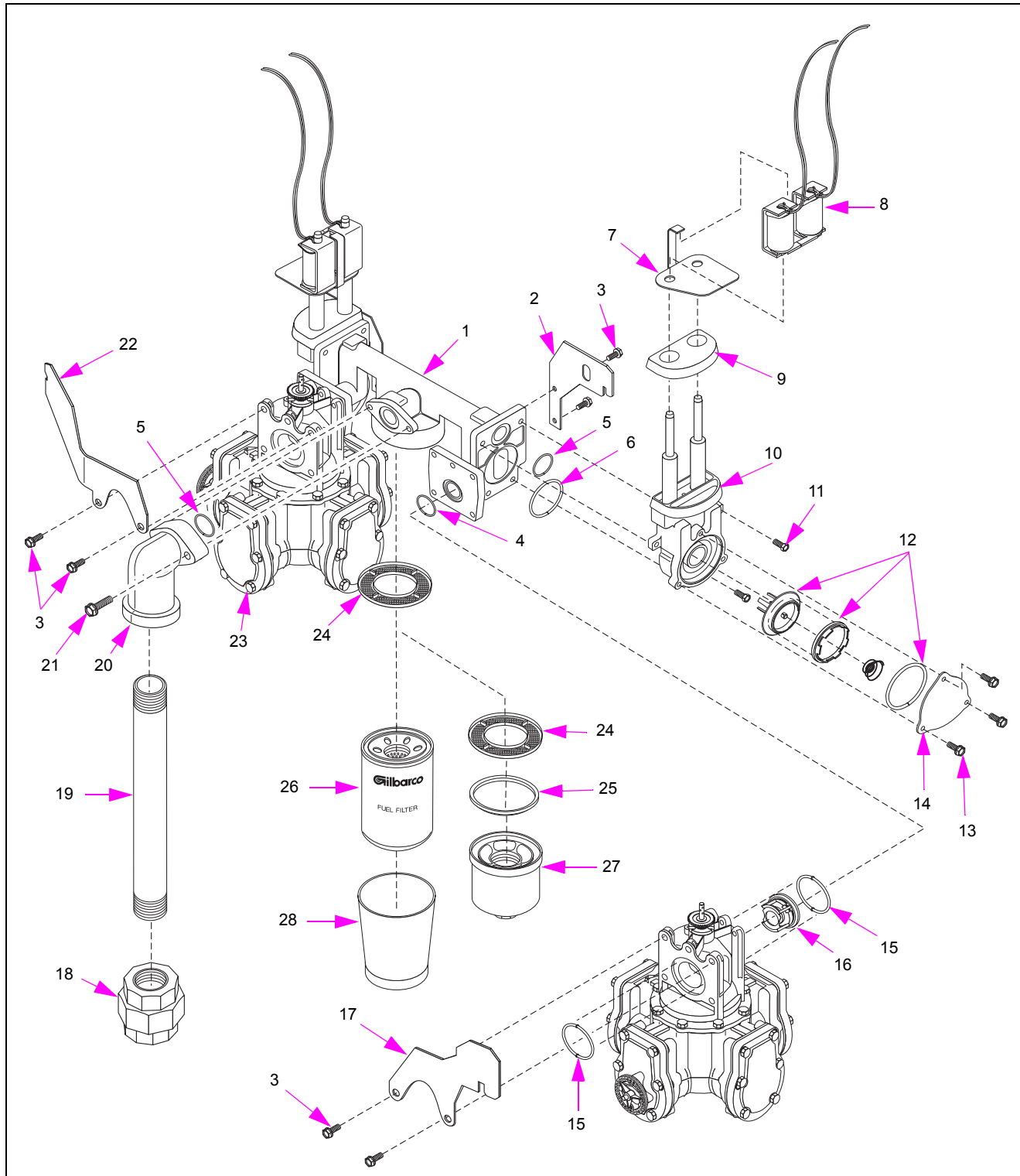
Hydraulic Module - Modular Electronics Units



Item #	Part Description	Current Part	Previous Part	Quantity
1	Coil Retainer	N23318	-	(see note 2)
2	Coil (see note 3)	N23312-02	N23312	(see note 2)
3	Proportional Blend Valve (blenders only), Single Stem (entire valve assembly)	T18815	-	(see note 2)
4	Valve Seal (blenders) (see note 1)	N16599-100	-	(see note 2)
5	Bolt, 5/16-18 X 7/8" (see note 1)	Q11889-15	Q10865-01	(see note 2)
6	Retaining Clip	K93773	-	(see note 2)
7	Flux Washer	K93774	-	(see note 2)
8	Coil (see note 4)			
	• 115 VAC/60 Hz	N23232-02	N23232	(see note 2)
	• 24 VAC/50 Hz	N23232-03	-	(see note 2)
9	Coil Seal Washer	N16599-101	-	(see note 2)
10	Collar	K93775	-	(see note 2)
11	Valve Seal (obsolete, see note 7)	-	K93557-01	(see note 2)
12	Solenoid Valve, 2 Stage (shown exploded)	R19093	-	(see note 2)
13	Solenoid Repair Kit (includes diaphragm, spring and washer)	R19093-02	R19093-01	(see note 2)
14	Bolt, 5/16-18 X 1-1/2"	Q11889-18	Q10865-39	(see note 2)
15	Filter Strainer	R19457	-	1
16	Gasket (see note 5)	K93485	-	-
17	Filter Cap (high capacity) to blank out Filter	R18896-02	-	1
18	Bracket, Meter	R19090-01	-	1
19	Check Valve, Meter (see note 6)			
	• Domestic	K94254-01	N23663-G1	(see note 2)
	• Export	K94254-01	N23276-G1	(see note 2)
20	O-ring, 1-1/4 X 1-1/2 X 1/8"	Q10068-09	-	3
21	O-ring, 1-5/16 X 9/16 X 1/8"	Q10068-10	-	3
22	O-ring, 1-5/8 X 1-7/8 X 1/8"	Q10068-14	-	
23	Casting, manifold Inlet (see note 1)	T18453-10	-	1
24	Filter			
24a	• High Capacity	R18189-10	R18189	1
24b	• High Capacity, 30 Micron	R18189-30	-	1
24c	• High Capacity (water alert)	M08007B010	-	1
24d	• Extension Assembly (MPD 4-grade and Single-hose +1 only) (obsolete, see note 7)	-	W02818-G1	1
24e	• Extra Long Filter, Standard	R20294-10	-	1
24f	• Extra Long Filter, Water	R20295-10	-	1
25	Pipe, Feedline (see note 1)			
	• 1-1/2 X 14" (used with double poppet shear valve) (see note 1)	R11533-28	-	1
	• 1-1/2 X 15-3/8" (used with single poppet shear valve) (see note 1)	R11533-29	-	1
	• 1-1/2 X 13-5/8" (Canada only) (see note 1)	R11533-27	-	1

Item #	Part Description	Current Part	Previous Part	Quantity
26	Union			
	• 1-1/2" (see note 1)	K12179	-	1
	• 1-1/2" (Canada only)	Q10846-08	-	1
27	Meter (refer to "Pumps and Meters Section" on page 6-1)	PA024XXXXX	-	(see note 2)
28	Bracket, Meter	T18405-01	-	(see note 2)
29	Bracket, Manifold (obsolete, see note 7)	-	T18441-02 T18441-01	(see note 2)
30	Casting, Manifold	W02808-10	-	1
31	O-ring, 1-1/4 X 1-1/2 X 1/8"	Q10068-09	-	(see note 2)
32	O-ring, 2-3/8 X 2-5/8 X 1/8"	Q10068-20	-	(see note 2)
33	Fuel Collector, 1 per Filter	R19424	-	1
<p>Notes:</p> <ol style="list-style-type: none"> 1. Used on dispensers only. 2. Quantity varies per assembly. 3. When using new coil in blenders built before 01/94, order one Coil Adaptor Cable (R19826-G2) for each coil replaced. 4. When using new coil in units built before 01/94, order one Coil Adaptor Cable (R19826-G1) for each coil replaced. 5. Gasket (K93485) is not sold individually. It is sold as part of Assembly (R18896-G2). 6. All parts may not be available as spare parts. 7. No replacement. 				

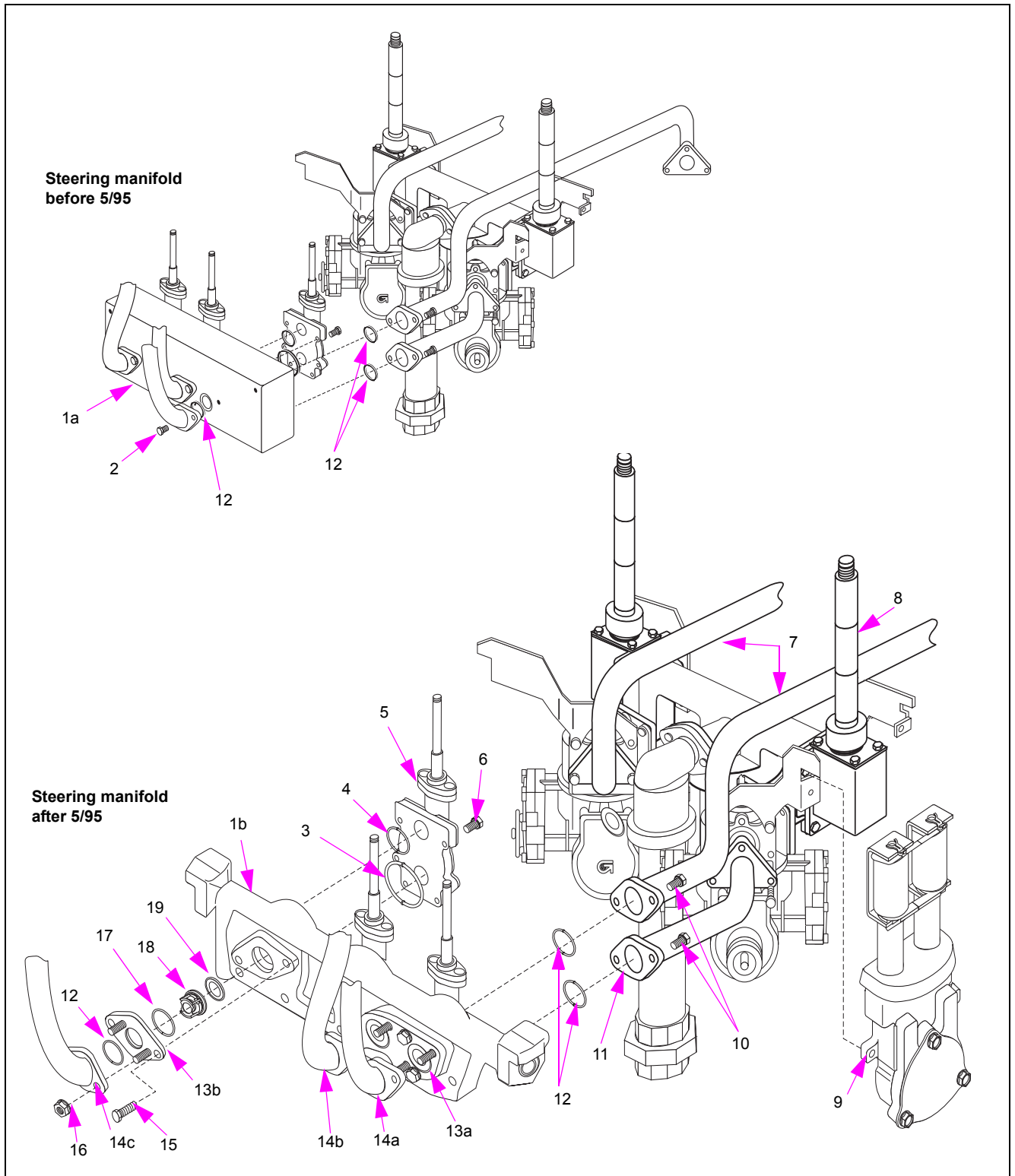
Hydraulic Module - Optimized Electronic Blenders



Item #	Part Description	Current Part	Previous Part	Quantity
1	Manifold	W02808-10	-	1
2	Bracket, Manifold			
	• All Except 4-grade Units	R20342-01	-	2
	• 4-grade Units Only	R20342-02	-	2
3	Screw 5/16-18 X 7/8"	Q11889-15	-	4
4	O-ring, 1-1/8 X 1-3/8 X 1/8"	Q10068-07	-	(see note 2)
5	O-ring, 1-1/4 X 1-1/2 X 1/8"	Q10068-09	-	(see note 2)
6	O-ring, 2-3/8 X 2-5/8 X 1/8"	Q10068-20	-	(see note 2)
7	Washer	R20455-01	-	(see note 2)
8	Coil Assembly	N23785	-	(see note 2)
9	Seal, Digital Valve	N2380801	-	(see note 2)
10	Digital Control Flow Valve, 2 Stem	T20013-G1	-	(see note 2)
11	Screw, 5/16-18 X 7/8"	Q11889-15	-	4
12	Diaphragm, Spare Parts Kit (piston assembly, O-ring, diaphragm retainer, label)	K94444-06	K94444-01	(see note 2)
13	Bolt, 1/4-20 X 3/4" Hexagonal-head, Shouldered	(see note 3)	-	3
14	Seal Plate, Diaphragm Cover	R20072	-	2
15	O-ring, 1-5/8 X 1-7/8 X 1/8"	Q10068-14	-	(see note 2)
16	Check Valve, High Pressure	K94254-01	-	(see note 2)
17	Bracket, Meter	T19838-01	-	2
18	Union 1-1/2"			
	• All Except Canada	K12179	-	1
	• Canada Only	Q10846-08	-	1
19	Pipe, Product Inlet, Black Iron			
	• 1-1/2 X 14" long	R11533-28	-	1
	• 1-1/2 X 13-5/8" long	R11533-27	-	1
	• 1-1/2 X 16" long	R11533-26	-	1
20	Manifold Inlet Casting	T18453-10	-	1
21	Screw, 5/16-18 X 1-1/2"	Q11889-18	-	2
22	Meter Bracket	T19839-01	-	1
23	Meter (refer to " C Meter (PA024xCxxxx) " on page 6-18)	PA024xCxxxx	-	-
24	Strainer, High Capacity (orient strainer insert with tabs toward filter)	R19457	-	1
25	Gasket	K93485	-	1

Item #	Part Description	Current Part	Previous Part	Quantity
26	Filter			
	• High Capacity	R18189-10	R18189	1
	• High Capacity, 30 Micron	R18189-30	-	1
	• High Capacity (water alert)	M08007B010	R20039 R18190	1
	• Extension Assembly (MPD \$-grade and single-hose +1 only) (obsolete, see note 5)	-	W02818-G1	1
	• Extra Long Filter, Standard	R20294-10	-	1
	• Extra Long Filter, Water	R20295-10	-	1
27	Filter Cap, High Capacity (to blank-out filter)	R18896-01	-	1
28	Collector, Fuel	R19424	-	1
<p><i>Notes:</i></p> <ol style="list-style-type: none"> 1. Used on dispensers only. 2. Quantity varies per assembly. 3. Not available separately, part of digital control flow valve assembly. 4. All parts may not be available as spare parts. 5. No replacement. 				

Steering Manifold - 48-inch Blender Six-hose



Item #	Part Description	Current Part	Previous Part	Quantity
1	Steering Manifold			
1a	• Before 3/96	-	W03034-10	2
1b	• After 3/96 (see notes 1 and 5)	W03037-G1	W03542-G1	2
2	Bolt, 5/16-18 X 3/4" (used on W03003 bracket)	Q10865-35	-	8
3	O-ring, 2-3/8 X 2-5/8 X 1/8"	Q10068-20	-	(see note 2)
4	O-ring, 1-1/4 X 1-1/2 X 1/8"	Q10068-09	-	(see note 2)
5	Solenoid Valve, Two Stage (see note 5)	R19093-02R	-	(see note 2)
6	Bolt, 5/16-18 X 3/4"	Q10865-39	-	(see note 2)
7	Feedline, Long (obsolete, see note 6)	-	W02995-G1	2
8	Proportional Blend Valve (blenders only) – Single Stem	T18815	-	4
9	Digital Flow Control Valve – Two Stem	T20013-G1	-	4
	Following are the Kits or Replacement Parts for T20013-G1:	-	-	-
	Repair Kit, Noise	K94444-06	K94444-01	-
	Seal Repair Kit	K94444-05	-	-
	Repair Kit	K94444-07	-	-
	Digital Valve Coil Assembly	N23785-01	-	-
10	Screw, 5/16-18 X 3/4"	Q10865-35	-	8
11	Feedline, Short (obsolete, see note 6)	-	T18814-G1	2
12	O-ring, 15/16 X 1-3/16 X 1/8"	N16891-25	-	(see note 2)
13	Cover Plate			
13a	• Connects 2 Discharge Pipes to Manifold	R20255-G1	-	2
13b	• Connects 1 Discharge Pipe to Manifold	R20256-G1	-	2
14	Discharge Piping (see note 3)			
14a	• Position A1 and B3 (obsolete, see note 6)	-	W02996-G1	2
14b	• Position A2 and B2 (obsolete, see note 6)	-	W02997-G1	2
14c	• Position A3 and B1 (obsolete, see note 6)	-	W03152-G1	2
15	Bolt, 5/16-18 X 3/4"	Q11889-14	-	6
16	Nut, 5/16-18, Serrated	Q11890-03	-	6
17	O-ring, 1-5/8 X 1-7/8 X 1/8"	Q10068-14	-	6
18	Check Valve Assembly (obsolete, see note 7)	K94254-01 N23619-G1 N23619-G4	N23619-G2	6
19	O-ring, Seal Assembly	Q13624-01	-	6
Not Shown				
-	Bracket, for W03034 Manifold	W03033-01	-	2
<p><i>Notes:</i></p> <ol style="list-style-type: none"> 1. Manifold installs without additional bracket. 2. Quantity varies per assembly. 3. For additional information, refer to "Discharge Piping Section" on page 6-1. 4. All parts may not be available as spare parts. 5. Contact a Gilbarco representative before ordering parts. 6. No replacement. 7. N23619-G1 now uses K94254-01 as an alternative part number. 				