

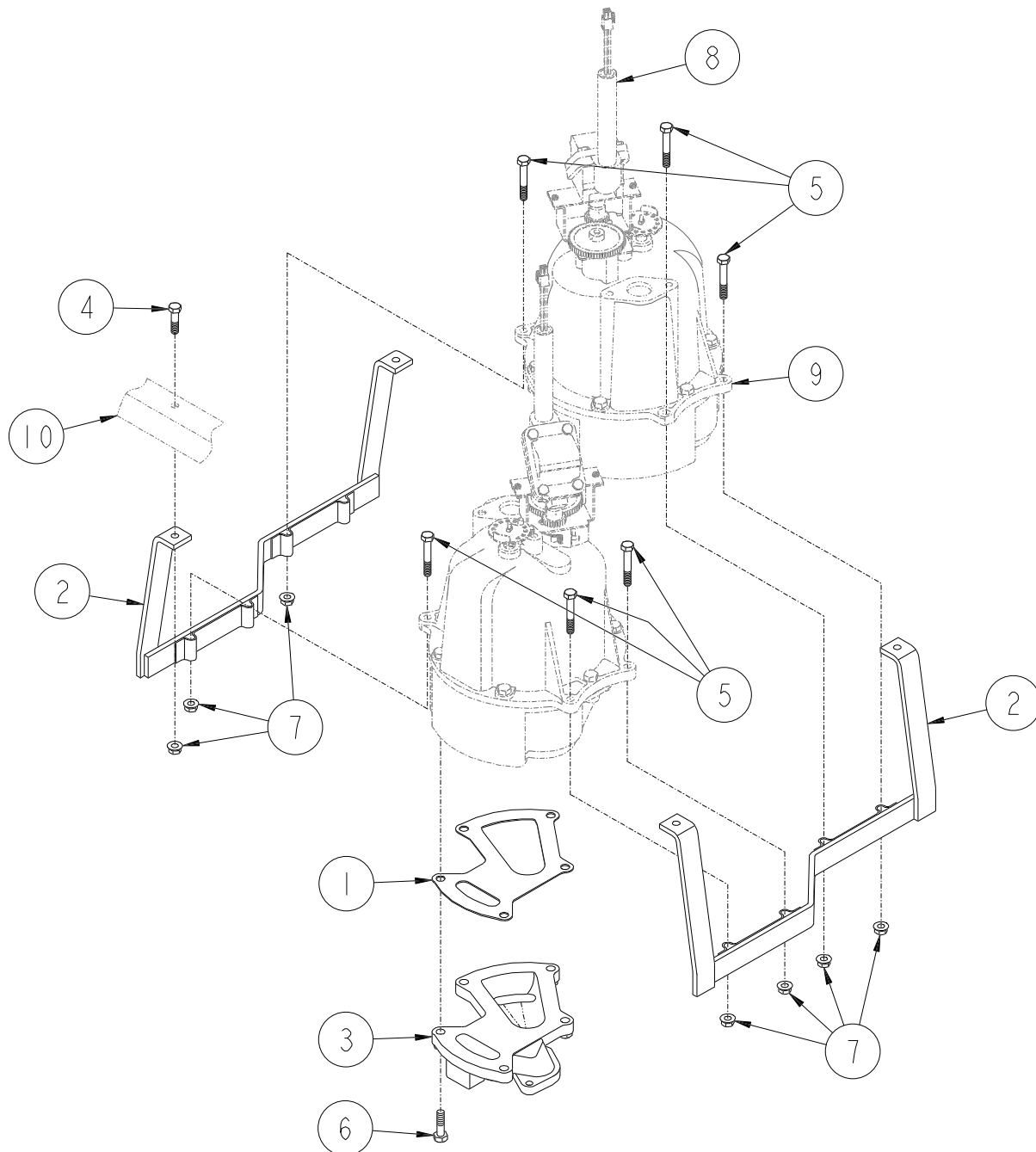
Section Four

Premier Parts Manual • H Models

Meter and Pulser Assemblies

	Page Number
Meter & Hydraulics Assembly	
H311B/H322B - RB3/RB5 & H411B/H422B-RB3	4-2, 4-3
H311/12/22/24B & H411B/H413B/H422B/H426B (1st Design)	4-4, 4-5
H311B/H312B/H322B/H324B, H411B/H413B/H422B/H426B, H722B & H724B (2nd Design)	4-6, 4-7
H412B/H424B-RB3	4-8, 4-9
H414B & H428B (1st Design)	4-10, 4-11
H414B & H428B (2nd Design)	4-12, 4-13
 Pulser & Gear Train Assembly	 4-14, 4-15
 898 Positive Displacement Type Meter	
Model 898	4-16, 4-17
 Totalizer Assembly	 4-18, 4-19

METER & HYDRAULICS ASSEMBLY (H311/22B-RB3/5 & H411/422B-RB3)



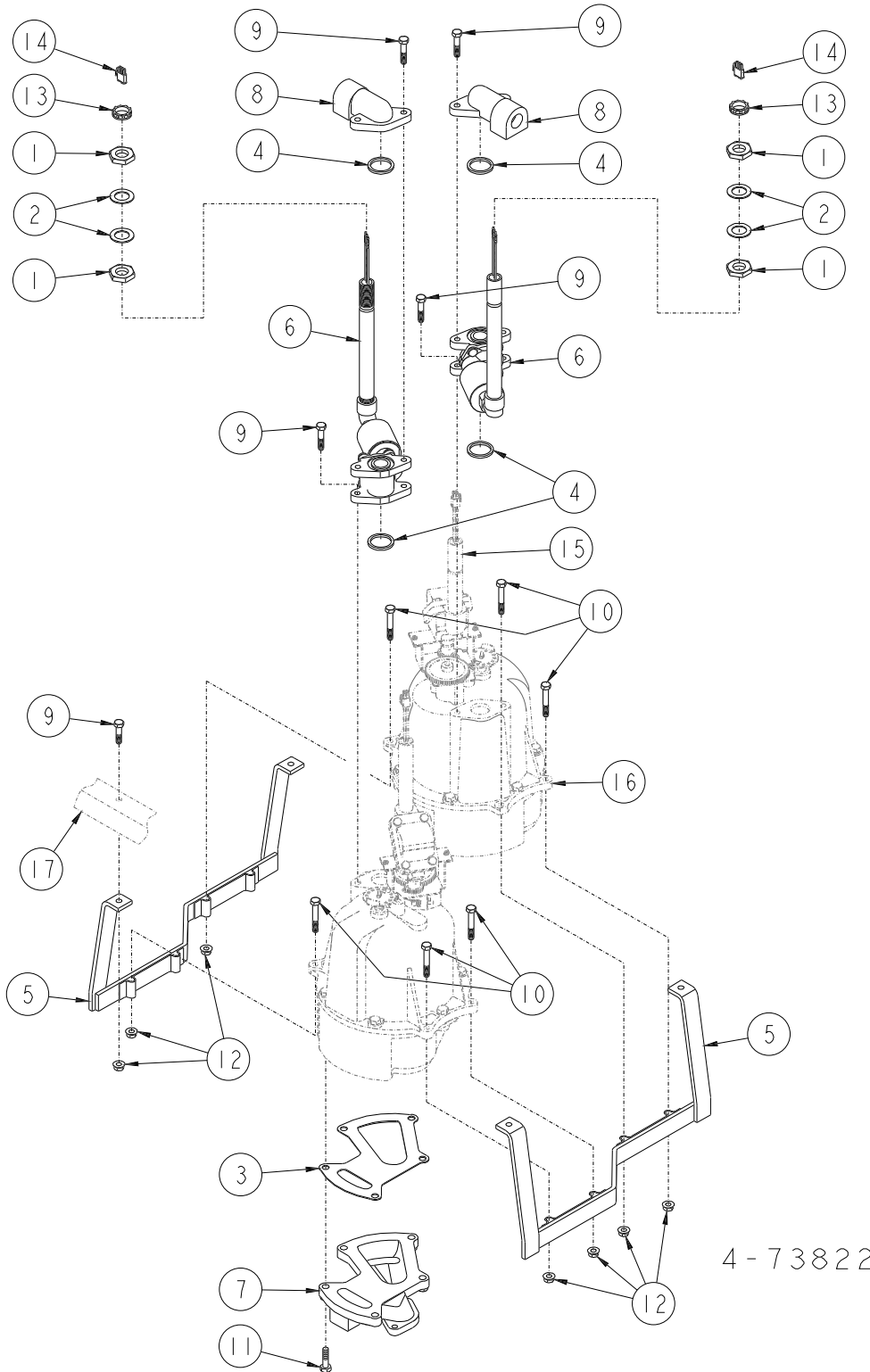
2 - 73898

METER & HYDRAULICS ASSEMBLY

(H311B/H322B-RB3/RB5 & H411B/H422B-RB3)

ITEM NO.	PART NO.	DESCRIPTION
1	1-38082	Meter Transfer Body Gasket
2	319381-1	Meter Hanger Weld Assembly
3	3-406857	Meter Transfer Body
4	35-50361	5/16-18 x 1" Long Hex Head Cap Screw
5	39-50361	5/16-18 x 2" Long Hex Head Cap Screw
6	66-50361	3/8-16 x 1-1/4" Long Hex Head Cap Screw
7	02-54752	5/16-18 M-F Flange Whiz-Lock Nut
8		<u>For parts call out of Pulser & Gear Train Assembly see 73820.</u>
9		<u>For parts call out of Positive Displacement Type Meter see 74372.</u>
10		<u>For parts call out of Chassis Assembly see:</u>
	741534	45" (1st Design See Serial Break List 71144)
	741567	30" (1st Design See Serial Break List 71144)
	741593	45" (2nd Design See Serial Break List 71144)
	741597	30" (2nd Design See Serial Break List 71144)
		<u>For complete Model 898 Final Assembly order:</u>
	316594-21	Gallons
	316594-23	Liters (Stainless Steel)
	316594-24	Gallons (Stainless Steel)
	316594-25	Imperial Gallons (Stainless Steel)
		<u>Reference for Tokheim internal use only: Meter & Hydraulic Assembly 319392 & 319740</u>

METER & HYDRAULICS ASSEMBLY
 (H311/12/22/24B & H411/13/22/26B)
 (1st Design See Serial Break List 71144)



4-73822

METER & HYDRAULICS ASSEMBLY
(H311/12/22/24B & H411/13/22/26B)
(1st Design - see Serial Break List 71144)

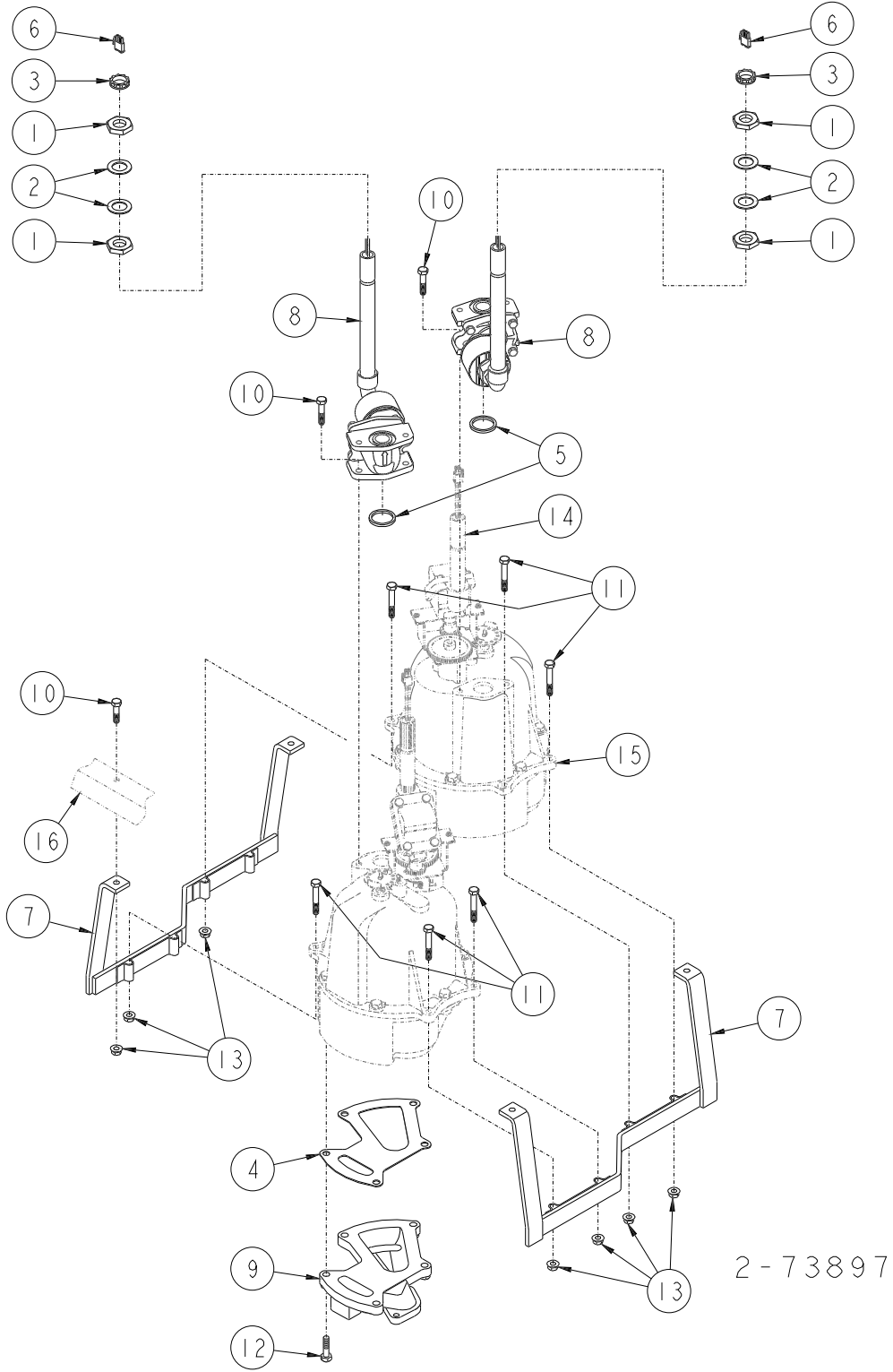
ITEM NO.	PART NO.	DESCRIPTION
1	1-130590	Conduit Nut
2	1-132715	Conduit Washer
3	1-38082	Meter Transfer Body Gasket
4	13-313235	Gasket
5	319381-1	Meter Hanger Weld Assembly
6	<u>Control Valve Assembly</u>	
	319415-1	120 Volt AC
	319415-3	240 Volt AC
	3-319410	Skinner Valve Rebuild Kit
7	3-406857	Meter Transfer Body
8	1-420900	Control Valve Discharge Adapter
9	35-50361	5/16-18 x 1" Long Hex Head Cap Screw
10	39-50361	5/16-18 x 2" Long Hex Head Cap Screw
11	66-50361	3/8-16 x 1-1/4" Long Hex Head Cap Screw
12	02-54752	5/16-18 M-F Flange Whiz-Lock Nut
13	2-231865	Conduit Bushing
14	3-319082	Connector (3 Pin)
15	<u>For parts call out of Pulser & Gear Train Assembly see 73820.</u>	
16	<u>For parts call out of Positive Displacement Type Meter see 74372.</u>	
17	<u>For parts call out of Chassis Assembly see:</u>	
	741534 45" (1st Design See Serial Break List 71144)	
	741567 30" (1st Design See Serial Break List 71144)	

For complete Model 898 Final Assembly order:

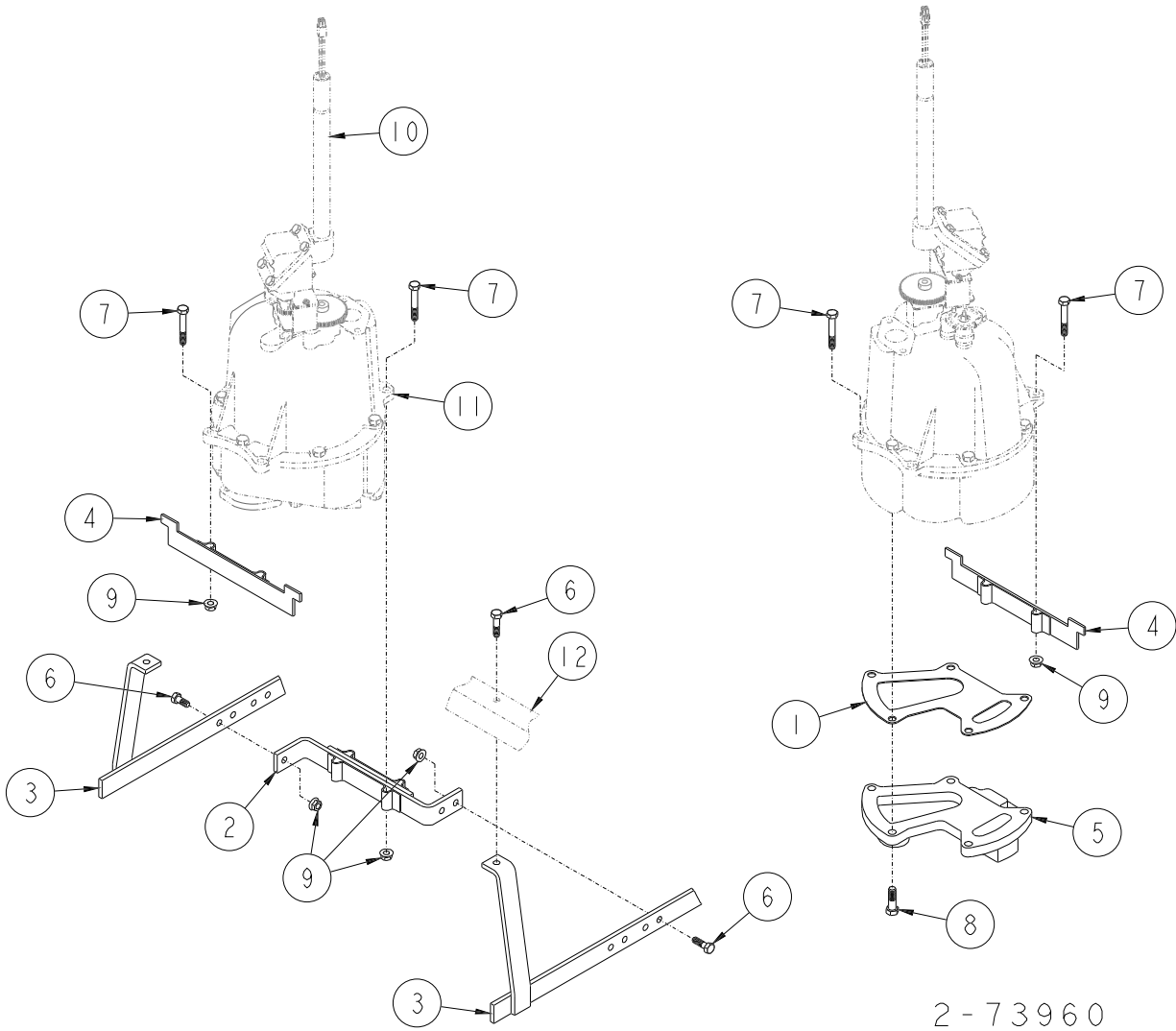
316594-21	Gallons
316594-23	Liters (Stainless Steel)
316594-24	Gallons (Stainless Steel)
316594-25	Imperial Gallons (Stainless Steel)

Reference for Tokheim internal use only: 319392 Meter & Hydraulic Assembly

METER & HYDRAULICS ASSEMBLY
 (H311/12/22/24B, H411/13/22/26B & H722/24B)
 (2nd Design See Serial Break List 71144)



METER & HYDRAULICS ASSEMBLY (H412/24B-RB3)



METER & HYDRAULICS ASSEMBLY

Models H412B/H424B-RB3

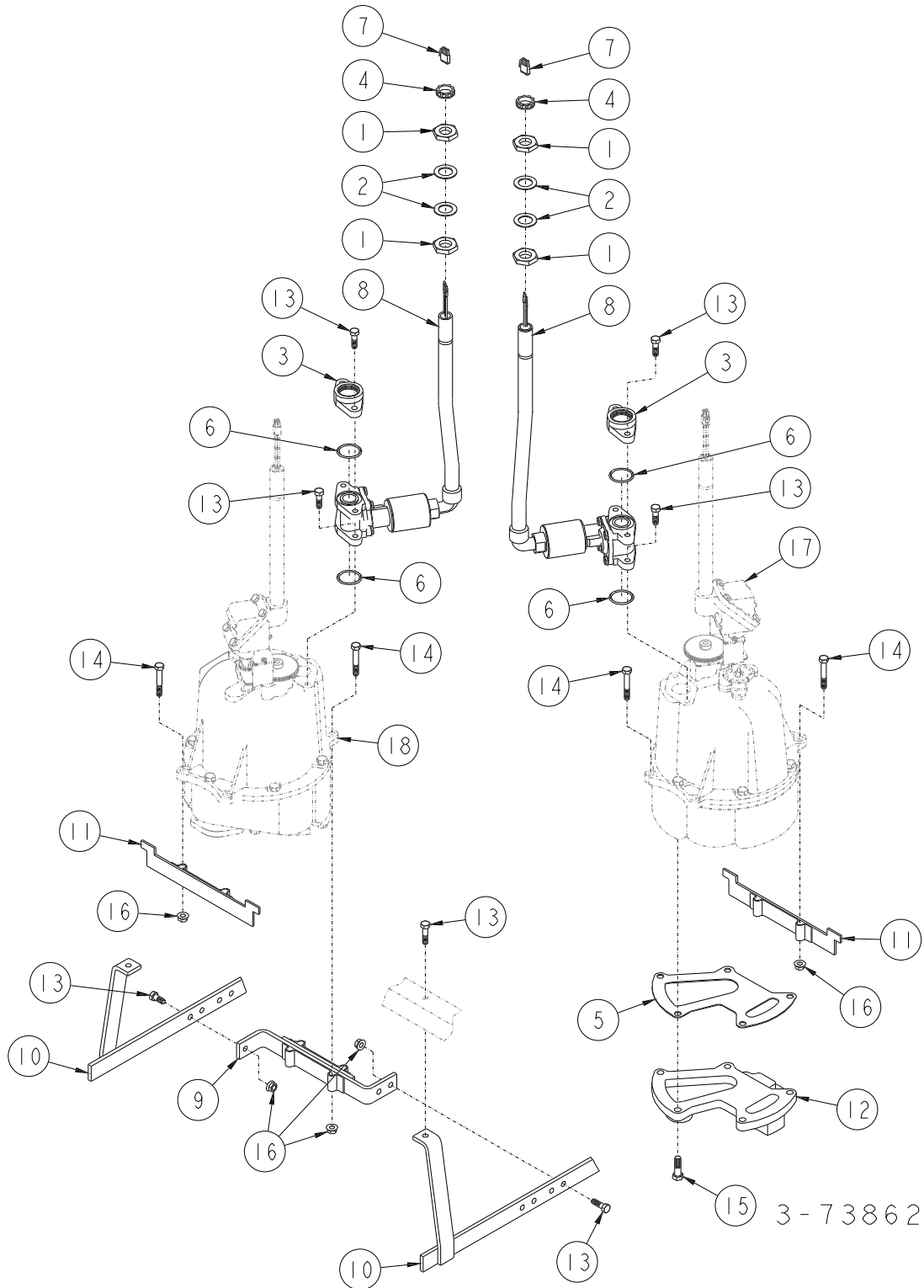
ITEM NO.	PART NO.	DESCRIPTION
1	1-38082	Meter Transfer Body Gasket
2	319576-1	Center Hanger Weld Assembly
3	319577-1	Hanger Weld Assembly
4	319578-1	End Hanger Weld Assembly
5	3-406857	Meter Transfer Body
6	35-50361	5/16-18 x 1" Long Hex Head Cap Screw
7	39-50361	5/16-18 x 2" Long Hex Head Cap Screw
8	66-50361	3/8-16 x 1-1/4" Long Hex Head Cap Screw
9	02-54752	5/16-18 M-F Flange Whiz-Lock Nut
10	<u>For parts call out of Pulser & Gear Train Assembly see 73820.</u>	
11	<u>For parts call out of Positive Displacement Type Meter see 74372.</u>	
12	<u>For parts call out of Chassis Assembly see: 741595.</u>	

For complete Model 898 Final Assembly order:

316594-21	Gallons
316594-23	Liters (Stainless Steel)
316594-24	Gallons (Stainless Steel)
316594-25	Imperial Gallons (Stainless Steel)

Reference for Tokheim internal use only: 319740 Meter & Hydraulic Assembly

METER & HYDRAULICS ASSEMBLY
 (H414B-R & H428B-R)
 (1st Design See Serial Break List 71144)



METER & HYDRAULICS ASSEMBLY**Models H414B-R & H428B-R****(1st Design - see Serial Break List 71144)**

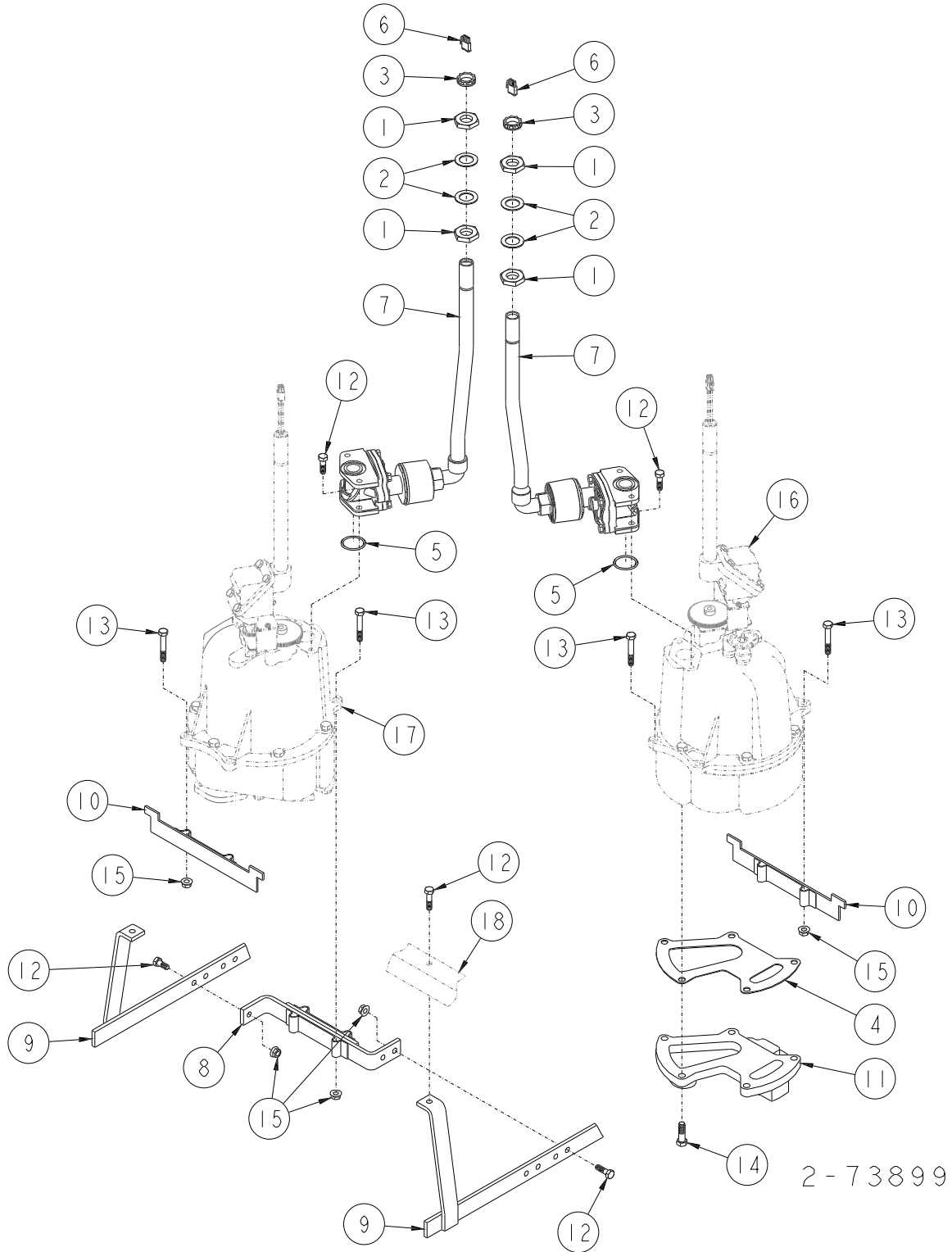
ITEM NO.	PART NO.	DESCRIPTION
1	1-130590	Conduit Nut
2	1-132715	Conduit Washer
3	1-217867	Flange
4	2-231865	Conduit Bushing
5	1-38082	Meter Transfer Body Gasket
6	13-313235	Gasket
7	3-319082	Connector (3 Pin)
8	<u>Control Valve Assembly</u>	
	319415-2	120 Volt AC
	319415-4	220 Volt AC
	3-319410	Skinner Valve Rebuild Kit
9	319576-1	Center Hanger Weld Assembly
10	319577-1	Hanger Weld Assembly
11	319578-1	End Hanger Weld Assembly
12	3-406857	Meter Transfer Body
13	35-50361	5/16-18 x 1" Long Hex Head Cap Screw
14	39-50361	5/16-18 x 2" Long Hex Head Cap Screw
15	66-50361	3/8-16 x 1-1/4" Long Hex Head Cap Screw
16	02-54752	5/16-18 M-F Flange Whiz-Lock Nut
17	<u>For parts call out of Pulser & Gear Train Assembly see 73820.</u>	
18	<u>For parts call out of Positive Displacement Type Meter see 74372.</u>	
19	<u>For parts call out of Chassis Assembly see: 741562.</u>	

For complete Model 898 Final Assembly order:

316594-21	Gallons
316594-23	Liters (Stainless Steel)
316594-24	Gallons (Stainless Steel)
316594-25	Imperial Gallons (Stainless Steel)

Reference for Tokheim internal use only: 319392 Meter & Hydraulic Assembly

METER & HYDRAULICS ASSEMBLY
 (H414/28B-R/REB)
 (2nd Design See Serial Break List 71144)



METER & HYDRAULICS ASSEMBLY

(H414B & H428B) (2nd Design - see Serial Break List 71144)

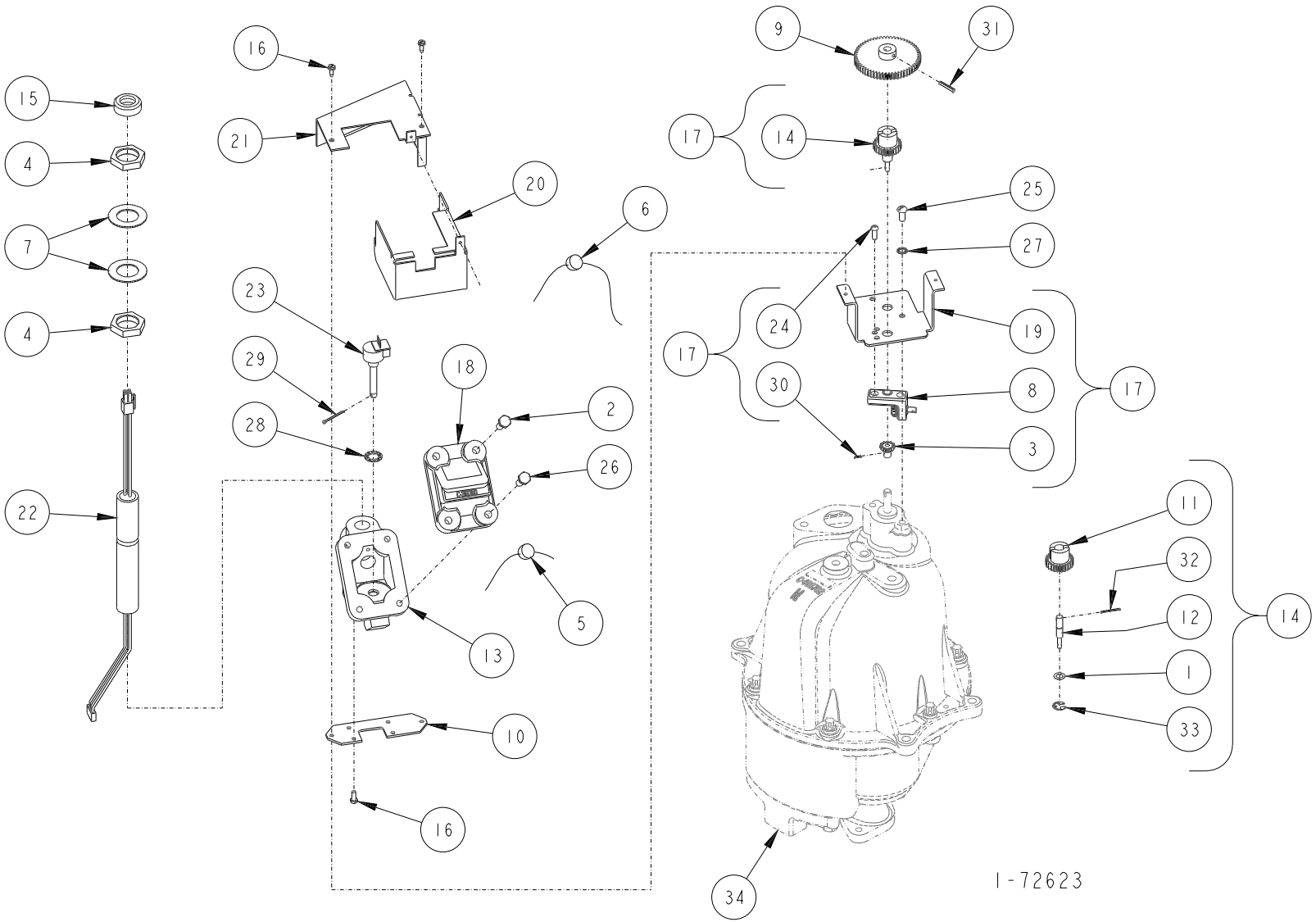
ITEM NO.	PART NO.	DESCRIPTION
1	1-130590	Conduit Nut
2	1-132715	Conduit Washer
3	2-231865	Conduit Bushing
4	1-38082	Meter Transfer Body Gasket
5	13-313235	Gasket
6	3-319082	Connector (3 Pin)
7	<u>Control Valve Assembly</u>	
	321079-11	120 Volt AC
	321079-13	220 Volt AC
	3-319410	Skinner Valve Rebuild Kit
	4-321028	Asco Valve Rebuild Kit
8	319576-1	Center Hanger Weld Assembly
9	319577-1	Hanger Weld Assembly
10	319578-1	End Hanger Weld Assembly
11	3-406857	Meter Transfer Body
12	35-50361	5/16-18 x 1" Long Hex Head Cap Screw
13	39-50361	1/16-18 x 2" Long Hex Head Cap Screw
14	66-50361	3/8-16 x 1-1/4" Long Hex Head Cap Screw
15	02-54752	5/16-18 M-F Flange Whiz-Lock Nut
16	<u>For parts call out of Pulser & Gear Train Assembly see 73820.</u>	
17	<u>For parts call out of Positive Displacement Type Meter see 74372.</u>	
18	<u>For parts call out of Chassis Assembly see: 741595.</u>	

For complete Model 898 Final Assembly order:

316594-21	Gallons
316594-23	Liters (Stainless Steel)
316594-24	Gallons (Stainless Steel)
316594-25	Imperial Gallons (Stainless Steel)

Reference for Tokheim internal use only: 319740 Meter & Hydraulic Assembly

PULSER & GEAR TRAIN ASSEMBLY



1-72623

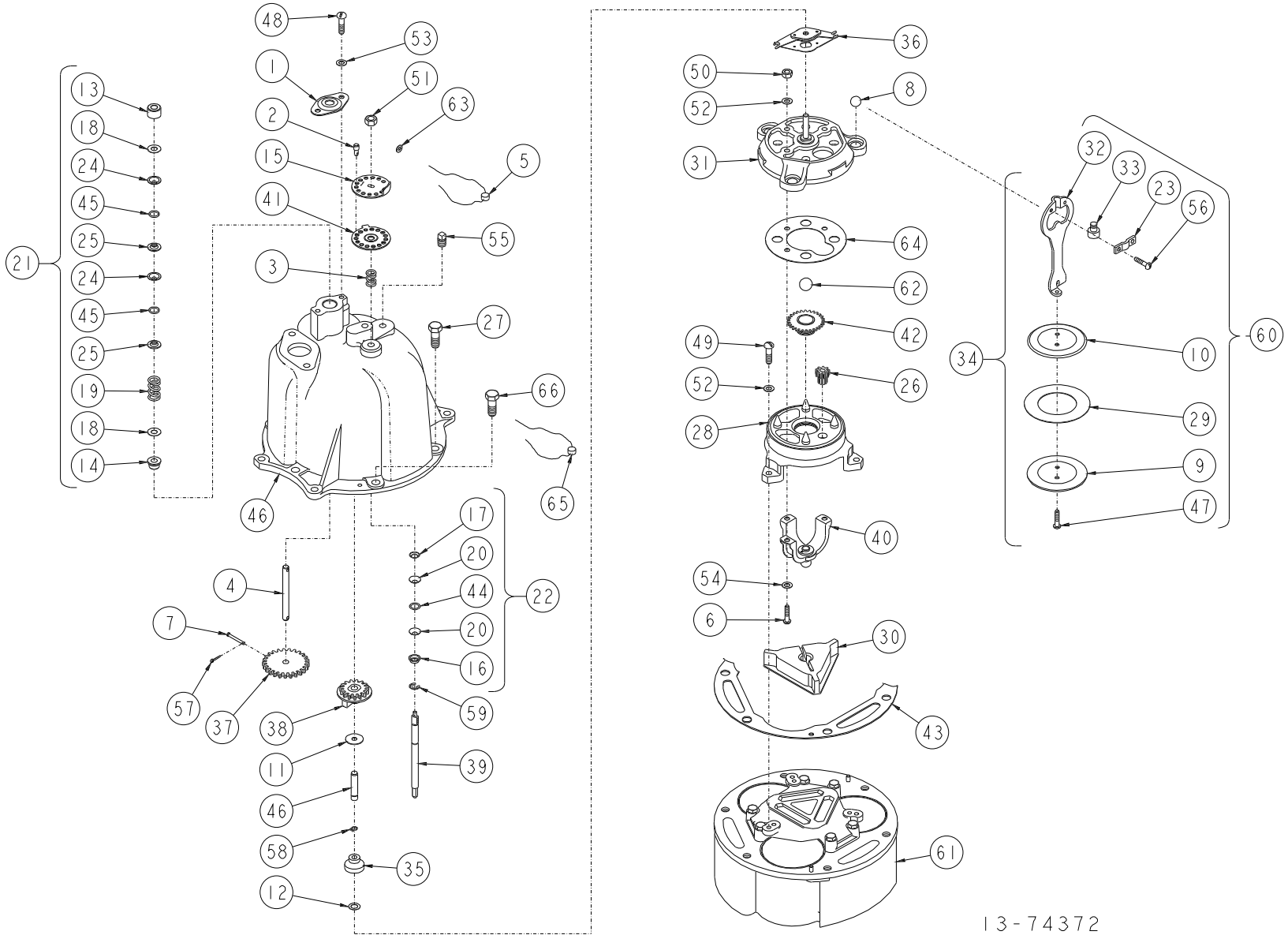
PULSER & GEAR TRAIN ASSEMBLY

PREMIER Parts Manual • H Models
Form 4814A, Version 5.0 July 1996 Rev. 2/26/99

Tokheim Corporation
4-15

ITEM NO.	PART NO.	DESCRIPTION	ITEM NO.	PART NO.	DESCRIPTION
1	1-126182	Washer	21	1-320833	Gear Train Shield Retainer (Brazil)
2	1-129513	1/4-20 x 1" Long Hex Head Seal Screw	22	<u>Pulser Conduit & Harness Assembly</u>	
3	1-130195	12 Tooth Gear	421031-2	All Models Except Listed Below	
4	1-130590	Conduit Nut	421031-4	H412B, H414B, H424B & H428B	
5	1-131438	Seal Wire & Seal (6" Long)	23	421031-9	Optical Encoder
6	1-131438	Seal Wire & Seal (6" Long)(Brazil)	24	174-50001	#8-32 x 1/2" Long Round Head Machine Screw
7	1-132715	Conduit Washer	25	326-50001	#12-24 x 1/2" Long Round Head Machine Screw
8	224992-11	Gear Block Assembly	26	05-50361	1/4-20 x 1" Long Hex Head Cap Screw
9	2-231801	60 Tooth Gear	27	24-50761	#12 Shake Proof Lockwasher
10	1-231805	Pulser Support	28	27-50761	3/8" Shake Proof Lockwasher
11	1-231810	24 Tooth Spur Gear	29	20-51202	Cotter Pin
12	1-231811	Drive Shaft	30	08-51221	Groov Pin (1/16" Dia x 1/4" Long)
13	<u>Pulser Box Assembly (See Serial Break List 71144)</u>		31	42-51221	Groov Pin (1/8" Dia x 3/4" Long)
	231820-1	2nd Design	32	10-52901	Roll Pin (1/16" Dia x 3/4" Long)
	231820-3	1st Design	33	06-52482	Truarc Retaining Ring
14	231823-1	Pulser Drive Assembly	34	<u>For parts call out of Positive Displacement Type Meter see 74372.</u>	
15	2-231865	Conduit Bushing	<u>For complete Optical Pulser Assembly (88E) order:</u>		
16	1-232954	#6-32 x 3/8" Long Sems Slot Hex Head Thread Cutting Screw	421031-7	All Models Except Listed Below	
17	<u>Gear Train Assembly</u>		421031-8	H412B, H414B, H424B & H428B	
	319431-1	All Models Except Listed Below	<u>Reference for Tokheim internal use only: Meter & Hydraulic Assembly</u>		
	319431-2	H412B, H414B, H424B & H428B	319392	1st Design	
18	1-319350	Pulser Box Cover	319740	2nd Design	
19	1-319376	Pulser/Totalizer Support			
20	1-320808	Gear Train Shield (Brazil)			

898 POSITIVE DISPLACEMENT TYPE METER



13-74372

898 POSITIVE DISPLACEMENT TYPE METER

PREMIER Parts Manual • H Models
Form 4814A, Version 3.0 July 1996 Rev. 10/10/97

Tokheim Corporation
4-17

ITEM NO.	PART NO.	DESCRIPTION	ITEM NO.	PART NO.	DESCRIPTION	ITEM NO.	PART NO.	DESCRIPTION
1	1-19592	Packing Gland Plate	29	218769-1	Plunger Cup Kit (Set Of 3 Cups)	51	02-50301	5/16-18 Hex Nut
2	1-19602	Seal Pin	30	1-219330	Valve	52	13-50641	1/4" Lockwasher
3	1-19743	Compensator Screw Spring	31	219331-1	Wobble Plate With Slack Roller Post	53	24-50761	#12 Lockwasher
4	1-114815	Drive Shaft	32	1-219377	Connector	54	42-50761	#14 Lockwasher
5	1-118849	Seal & Seal Wire (6" Long)	33	1-219378	Bearing Seat	55	01-51911	1/8" Square Head Pipe Plug
6	1-119064	Special Screw	34	219407-2	Plunger Assembly	56	28-55431	#10-32 x 3/8" Long Phillips Pan Head Sems Fastener
7	1-124144	Drive Shaft Pin	35	219800-1	Slack Roller Assembly	57	13-52870	1/16" Dia x 1/4" Long Cotter Pin
8	1-124588	1/2" Ball	36	221403-1	Slack Spring Assembly	58	10-52922	Truarc Retaining Ring
9	1-125069	Plunger Cup Support	37	<u>Drive Shaft Gear</u>		59	12-53420	Truarc "E" Retaining Ring
10	1-125071	Plunger Disc		1-222081	Gallons & Liters	60	232332-1	Plunger Kit (Contains Plunger Assembly, Bearing Retainer, Bearing Seat & Sems Fastener)
11	1-125095	Washer		217195-2	Assembly (Imperial Gallons)	61	407488-11	Body & Seat Assembly With Pins
12	1-125103	Washer	38	<u>Counter Drive Gear Complete</u>		62	1-131327	5/8" Carbon Ball
13	125118-1	Upper Bearing Assembly		218556-2	Imperial Gallons	63	04-50600	Washer
14	125154-1	Bearing Assembly		1-222084	Gallons	64	1-217934	Wobble Bearing Plate
15	1-125243	Compensator Index Disc		1-232282	Liter	65	1-124799	Seal Wire & Seal (18" Long) (Brazil)
16	1-125308	Seal Half	39	1-224081	Compensator Shaft	66	2-129513	3/8-16 x 1" Long Hex Head Seal Screw (Brazil)
17	1-125309	Seal Wedge	40	224709-5	Bracket & Pin Assembly			
18	1-125315	Washer	41	1-226085	Index Plate			
19	1-125357	Packing Spring	42	125079-1	Main Pivot Assembly			
20	1-125360	Seal	43	1-38083	Meter Body Gasket			
21	125420-1	Meter Drive Shaft Packing Kit	44	5-318940	"O" Ring (.362 Dia.)			
22	125478-1	Compensator Shaft Seal Kit	45	6-318940	"O" Ring (.487 Dia.)			
23	1-125966	Bearing Retainer	46	420557-1	Meter Cover And Gear Post Assembly			
24	1-126898	Seal (Black)	47	287-50001	#10-32 x 3/8" Long Round Head Machine Screw			
25	1-126902	Seal Retaining Ring	48	326-50001	#12-24 x 1/2" Long Round Head Machine Screw			
26	1-129607	Compensator Pinion	49	399-50001	1/4-20 x 3/4" Long Round Head Machine Screw			
27	<u>3/8-16 x 1" Long</u>		50	01-50301	1/4-20 Hex Nut			
	1-320407	Torx Drive Screw						
	2-320407	Torx Drive Screw (For Seal Wire)						
	65-50361	Hex Head Cap Screw						
28	218236-2	Main Pivot Bracket Assy. With Pins						

For complete Meter Maintenance & Repair Kit order 225184-1

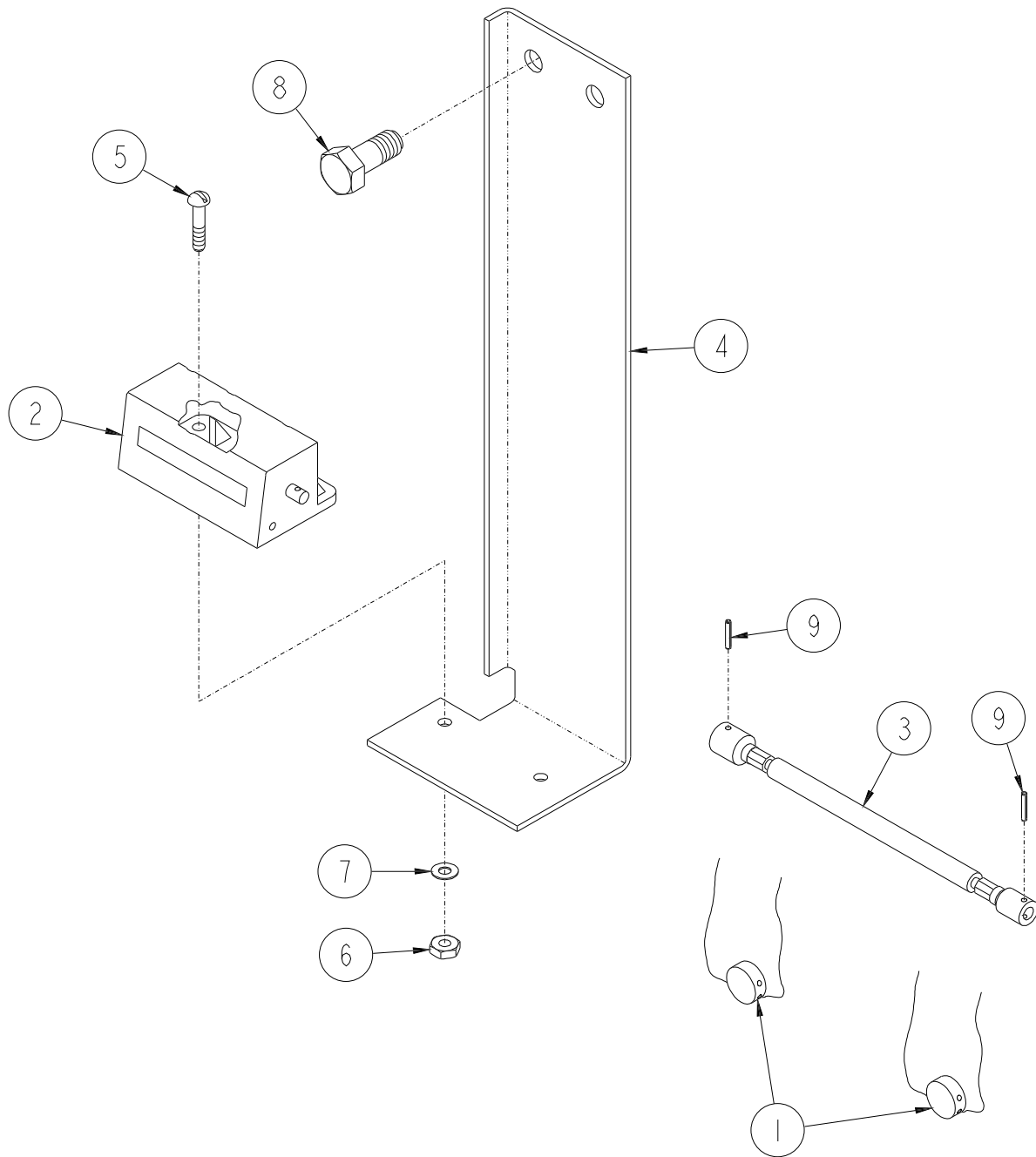
For complete Meter Cover Assembly order: (Item no. 5 & 46 not included)

407494-1 Gallons
407494-5 Imperial Gallons
415282-30 Liters

For complete Final Assembly (898-K Meter) order:

407726-10 Gallons
416873-25 Imperial Gallons
416873-32 Liters

TOTALIZER ASSEMBLY



2 - 73833

TOTALIZER ASSEMBLY

ITEM NO.	PART NO.	DESCRIPTION
1	1-131438	Seal Wire & Seal (8" Long)
2	<u>Totalizer</u>	
	1-319419	Gallons
	2-319419	Liter
3	<u>Drive Cable</u>	
	1-319468	All Models Except H414B & H428B
	2-319468	H414B & H428B
4	<u>Totalizer Bracket</u>	
	1-319472	All Models (Serial No. 05094 Thru 05177 on H414B & H428B only)
	2-319472	H414B & H428B only (Serial No. 05178 & Above)
5	96-50001	#6-32 x 1/2" Long Round Head Machine Screw
6	03-50211	#6-32 Hex Machine Nut
7	03-50761	#6 Shakeproof Lockwasher
8	10-51491	#14 x 1/2" Long P-K Self Tapping Screw
9	04-52901	Roll Pin

For complete Totalizer Assembly order: (Includes all items above except item 8 & quantity 1 of items 1 & 9)

319474-1	Gallons (All Models Except H414B & H428B)
319474-2	Liters (All Models Except H414B & H428B)
319474-3	Gallons (H414B & H428B)
319474-4	Liters (H414B & H428B)