

SWIVEL & FIXED HEAD HOSE RETRIEVERS

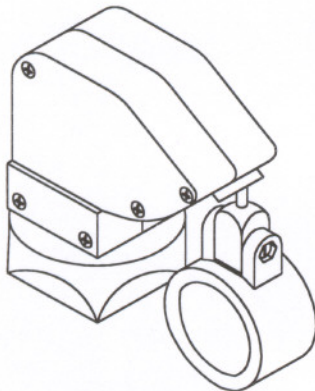
SPECIFICATIONS:

- **HEAD:** BALL BURNISHED ALUMINUM AND SELF LUBRICATING BRONZE FINISH.
- **SWIVEL BASE:** MADE TO FIT 2" SQUARE TUBE.
- **POST:** 6' 2" ANODIZED ALUMINUM SQUARE TUBE.
- **RETRACTOR ROPE:** 3/16" NYLON.
- **COUNTER WEIGHT:** STEEL, WITH SELF LUBRICATING BRONZE BUSHINGS ON PULLEYS.
- **MOUNTING HARDWARE:** ALUMINUM.
- **ADJUSTABLE BRACKET:** BALL BURNISHED ALUMINUM, FLUSH MOUNT.
- **BASE BRACKET:** BALL BURNISHED ALUMINUM, BOLTED TO POST.

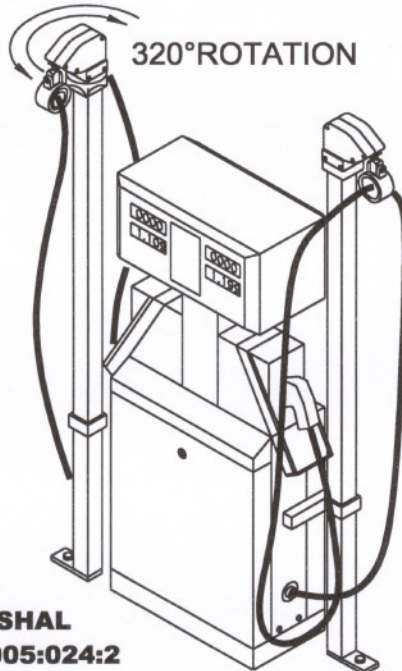
FEATURES:

- SWIVEL HEAD ROTATES 320 DEGREES TO FOLLOW THE OPERATOR (SWIVEL HEAD ONLY)
- RETRACTOR ROPE EXTRACTS AT A 45 DEGREE ANGLE TO MINIMIZE FRICTION PULL AND WEAR ON THE ROPE.
- RETRACTOR ROPE EXTRACTS THROUGH A REPLACEABLE EYELET.
- HOSE RETRIEVER HEAD IS LARGE ENOUGH TO ACCEPT TWO, 2" NUMBERS FOR PUMP IDENTIFICATIONS.
- THE UNIT CAN BE ORDERED WITH WELDED SPACERS OR ADJUSTABLE BRACKET.
- PULLEYS ARE CUT EXTRA DEEP, SO ROPE WILL NOT JUMP OFF.
- DUAL HOSE CLAMP OR SINGLE COAXIAL.
- 18 MONTH LIMITED WARRANTY.

SWIVEL-HEAD HOSE RETRIEVER



320 DEGREE SWIVEL CAPABILITY



320° ROTATION

FIXED-HEAD HOSE RETRIEVER

NOTE:

WHEN A BREAKAWAY IS REQUIRED ADD A "BA" AFTER THAT PART NUMBER AT AN ADDITIONAL COST.

**CALIFORNIA STATE FIRE MARSHAL
 CERTIFICATION NUMBER: GVRC 005:024:2**

SWIVEL HEAD HOSE RETRIEVERS

TO ORDER RETRACTORS W/ANTI-KINK COAXIAL HOSE CLAMP

MODEL NO.	DESCRIPTION
9905-GYAK	11'-12' COAXIAL, GOODYEAR PRODUCT HOSE
9905-TAK	11'-12' COAXIAL, THERMOID PRODUCT HOSE
9905-DAK	11'-12' COAXIAL, DAYCO PRODUCT HOSE
9905-GAK	11'-12' COAXIAL, GATES PRODUCT HOSE

SEE PAGE 25 FOR DIFFERENT CLAMP STYLES

(FOR SINGLE HOSE)

MODEL NO.	DESCRIPTION
9906-1	5/8"X10'-12' SINGLE PRODUCT HOSE
9906-2	5/8"X13'-14' SINGLE PRODUCT HOSE
9907-1	3/4"X10'-12' SINGLE PRODUCT HOSE
9907-2	3/4"X13'-14' SINGLE PRODUCT HOSE
9901-1	1"X12'-14' SINGLE PRODUCT HOSE
9912-V	VACUUM HOSE FOR SWIVEL HEAD

TO ORDER RETRACTORS W/STANDARD COAXIAL HOSE CLAMP

MODEL NO.	DESCRIPTION
9905-GY	11'-12' COAXIAL, GOODYEAR PRODUCT HOSE
9905-T	11'-12' COAXIAL, THERMOID PRODUCT HOSE
9905-D	11'-12' COAXIAL, DAYCO PRODUCT HOSE
9905-G	11'-12' COAXIAL, GATES PRODUCT HOSE

FIXED-HEAD HOSE RETRIEVER

TO ORDER RETRACTORS W/ANTI-KINK COAXIAL HOSE CLAMP

MODEL NO.	DESCRIPTION
9915-GYAK	11'-12' COAXIAL, GOODYEAR PRODUCT HOSE
9915-TAK	11'-12' COAXIAL, THERMOID PRODUCT HOSE
9915-DAK	11'-12' COAXIAL, DAYCO PRODUCT HOSE
9915-GAK	11'-12' COAXIAL, GATES PRODUCT HOSE

SEE PAGE 25 FOR DIFFERENT CLAMP STYLES

(FOR SINGLE HOSE)

MODEL NO.	DESCRIPTION
9916-1	5/8"X10'-12' SINGLE PRODUCT HOSE
9916-2	5/8"X13'-14' SINGLE PRODUCT HOSE
9917-1	3/4"X10'-12' SINGLE PRODUCT HOSE
9917-2	3/4"X13'-14' SINGLE PRODUCT HOSE
9911-1	1"X12'-14' SINGLE PRODUCT HOSE
9111-185	AIR AND WATER TOWER W/18" HOSES
9911-V	VACUUM HOSE
9111RP-185	ROUND POST
9111-185M	MANIFOLD FOR AIR & WATER TOWER

TO ORDER RETRACTORS W/STANDARD COAXIAL HOSE CLAMP

MODEL NO.	DESCRIPTION
9915-GY	11'-12' COAXIAL, GOODYEAR PRODUCT HOSE
9915-T	11'-12' COAXIAL, THERMOID PRODUCT HOSE
9915-D	11'-12' COAXIAL, DAYCO PRODUCT HOSE
9915-G	11'-12' COAXIAL, GATES PRODUCT HOSE