

511 SERIES PARTICULATE REMOVING



51110P and 51130P For High-Flow Fuel Dispensers

BENEFITS

- PetroClear models 51110P and 51130P are particulate removing spin-on filters designed for aftermarket cost efficient particulate filtration of fuels at high volume fueling locations such as truck stops, card lock sites, and industrial and commercial applications.
- PetroClear models 51110P and 51130P are particulate removing spin-on filters designed to remove particulate from NEAT GASOLINE, Ethanol blended gasoline, diesel, Biodiesel, ULSD (Ultra Low Sulfur Diesel), Kerosene, fuel oils, lube oils and synthetic fluids.
- PetroClear models 51110P and 51130P are particulate spin-on filters. These filters are designed for particulate removal only and WILL NOT REACT TO WATER IN NEAT GASOLINE OR DETECT PHASE SEPARATION IN ETHANOL BLENDED GASOLINE.
- PetroClear model 51110P filter offers efficient 10 micron nominal particulate removal (nominal = 75% efficiency).
- PetroClear model 51130P filter offers efficient 30 micron nominal particulate removal (nominal = 75% efficiency).
- Compatible with NEAT GASOLINE, Biodiesel and Ethanol blended fuels.

**PetroClear FILTERS ARE NOT TO BE USED
IN AVIATION FUEL APPLICATIONS.**

SPECIFICATIONS

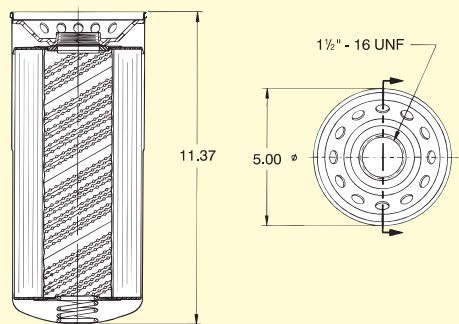
- PetroClear model 51110P utilizes a 10 micron cellulose media to remove particulate from gasoline and diesel fuels including all Ethanol blended gasoline, Biodiesel, ULSD (Ultra Low Sulfur Diesel), Kerosene, fuel oils and synthetic fluids. Removes a minimum of 75% of particulate 10 micron size (and approximately 100% of larger sized particulate).
- PetroClear model 51130P utilizes a 30 micron cellulose media to remove particulate from gasoline and diesel fuels including all Ethanol blended gasoline, Biodiesel, ULSD (Ultra Low Sulfur Diesel), Kerosene, fuel oils and synthetic fluids. Removes a minimum of 75% of particulate 30 micron size (and approximately 100% of larger sized particulate).
- The maximum flow rate for PetroClear models 51110P and 51130P is 40 gpm (151 lpm). Maximum operating pressure is 50 psid (3.4 bar). Maximum differential pressure is 25 psid (1.7 bar).
- PetroClear models 51110P and 51130P utilize a standard 1-1/2"-16 UNF mounting thread ref. (1" flow) required for most spin-on filter adaptors used in aftermarket and/or high-flow applications.
- Adaptors are available for models 51110P and 51130P in aluminum. These adaptors are available in both NPT or BSP inlet/outlet threads. Inlet/outlet sizes are available in 1" and 1-1/2" single adaptors. Adaptors are also available in a dual style with both 1-1/2" and 2" inlet/outlet (2"- 4" bolt SAE flange combination).
- Each filter is packaged with a separate gasket that will fit most standard brands of adaptor filter mounting bases. Install gasket in adaptor's groove by placing in groove at 3 to 4 places and then smoothing gasket between those points. Lubricate with light oil. NOTE: Gasket does not mount on filter!
- If using this filter in a hydraulic/lube oil application, verify that you are applying the filter on a spin-on filter head that has a by-pass valve.

NOTE: If you experience frequent filter changes, it is recommended that you have fuel samples analyzed to determine the source of contamination, such as water, dirt, rust, bacteria, phase separation, etc.

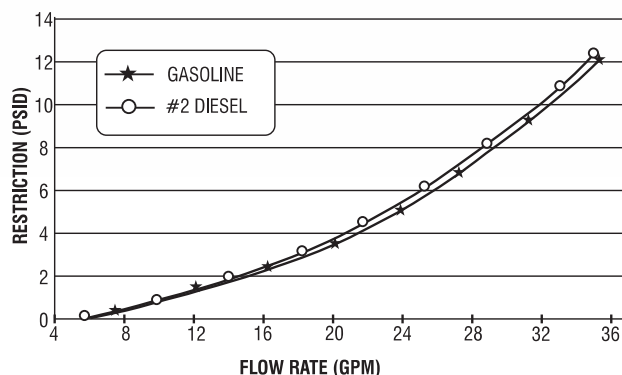
For disposal information please contact your nearest EPA office.

511 SERIES PARTICULATE REMOVING

51110P and 51130P



PetroClear 51110P and 51130P



Model	51110P	51130P
Filter Type	Spin-On	Spin-On
Media Type	*Cellulose	*Cellulose
Micron Rating	10 Micron (Nominal = 75% Efficiency)	30 Micron (Nominal = 75% Efficiency)
Diameter	5.00"	5.00"
Height	11.37"	11.37"
Mounting Thread	1-1/2" -16 UNF	1-1/2" -16 UNF
Flow	1" flow	1" flow
Shell Thickness	0.020	0.020
Gasket Material	Buna N	Buna N
Collapse (Min.)	150 psid (10.3 bar)	150 psid (10.3 bar)
Burst (Min.)	250 psi (17.2 bar)	250 psi (17.2 bar)
Max. Operating Temp.	250°F (139°C)	250°F (139°C)
Min. Operating Temp.	-20°F (-28.9°C)	-20°F (-28.9°C)

*Particulate Removing

Catalog

Description

Adaptors Available	1.00 N 1-16	1" NPT Inlet/Outlet Ports, 1-1/2"-16 UNF (aluminum)
	1.50 N 1-16	1-1/2" NPT Inlet/Outlet Ports, 1-1/2"-16 UNF (aluminum)
	D2.0 N 1-16	2" NPT Inlet/Outlet Ports, 1/2"-16 UNF (aluminum)
	<i>The 4-bolt SAE flange combination allows both 1-1/2" & 2" inlet/outlet combinations.</i>	
	1.00 B 1-16	1" BSP Inlet/Outlet Ports, 1-1/2"-16 UNF (aluminum)

NOTE: If you experience frequent filter changes, it is recommended that you have fuel samples analyzed to determine the source of contamination, such as water, dirt, rust, bacteria, phase separation, etc.

PetroClear is a technological product of Champion Laboratories, Inc. Changes may occur based upon technology, process and material innovation as Champion Laboratories, Inc. strives to attain the highest levels of performance and customer satisfaction. These changes may occur without notification.