

409 SERIES PARTICULATE REMOVING



40910P and 40930P

Extended Life Particulate
FOR DISPENSER USE

BENEFITS

- PetroClear models 40910P and 40930P are particulate removing spin-on filters designed to remove particulate from NEAT GASOLINE, Ethanol blended gasolines, diesels, Biodiesel, ULSD (Ultra Low Sulfur Diesel), kerosene and fuel oils.
- PetroClear models 40910P and 40930P are particulate spin-on filters. These filters are designed for particulate removal only and WILL NOT REACT TO WATER IN NEAT GASOLINE OR DETECT PHASE SEPARATION IN ETHANOL BLENDED GASOLINES TO SLOW FLOW.
- PetroClear model 40910P filter offers efficient 10 micron nominal particulate removal (nominal = 75% efficiency).
- PetroClear model 40930P filter offers efficient 30 micron nominal particulate removal (nominal = 75% efficiency).
- UL recognized for Ethanol blended fuels, NEAT GASOLINE and diesel fuels.
- Compatible with NEAT GASOLINE, Diesels, Biodiesel and Ethanol blended fuels.

**PetroClear FILTERS ARE NOT TO BE USED
IN AVIATION FUEL APPLICATIONS.**

SPECIFICATIONS

- The PetroClear model 40910P utilizes a 10 micron cellulose media to remove particulate from gasoline and diesel fuels including all Ethanol blended gasoline, Biodiesel and ULSD (Ultra Low Sulfur Diesel). Removes a minimum of 75% of particulate 10 micron in size (and approximately 100% of larger particulate).
- The PetroClear model 40930P utilizes a 30 micron cellulose media to remove particulate from gasoline and diesel fuels including all Ethanol blended gasoline, Biodiesel and ULSD (Ultra Low Sulfur Diesel). Removes a minimum of 75% of particulate 30 micron in size (and approximately 100% of larger particulate).
- The maximum flow rate for PetroClear models 40910P and 40930P is 20 gpm (76 lpm). Maximum operating pressure is 50 psid (3.4 bar). Maximum differential pressure is 25 psid (1.7 bar). Collapse pressure is 150 psid (10.3 bar). Maximum operating temperature is 250°F (139°C).
- PetroClear models 40910P and 40930P utilize a standard 1" – 12 UNF mounting thread ref. (3/4" flow) required for most spin-on filter adaptors used in aftermarket.
- Models 40910P and 40930P utilize an epoxy coated interior shell to eliminate oxidation (rusting) which can cause pinhole leaks inside of the filter shell.
- Adaptors are available for models 40910P and 40930P in aluminum and cast iron. Single adaptors are available in both 3/4" and 1" NPT and BSP inlet/outlet threads.

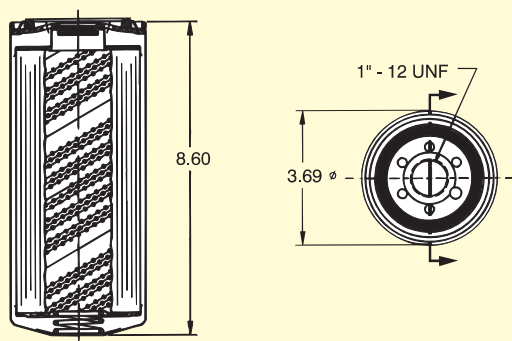
NOTE: If you experience frequent filter changes, it is recommended that you have fuel samples analyzed to determine the source of contamination, such as water, dirt, rust, bacteria, phase separation, etc.

For disposal information please contact your nearest EPA office.

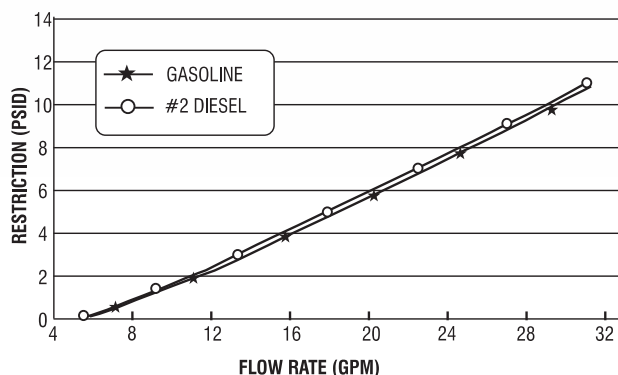
40910P and 40930P

For Fuel Dispensers

40910P and 40930P



PetroClear 40910P and 40930P



Model	40910P	40930P
Filter Type	Spin-On	Spin-On
Media Type	*Cellulose	*Cellulose
Micron Rating	10 Micron (Nominal = 75% Efficiency)	30 Micron (Nominal = 75% Efficiency)
Diameter	3.69"	3.69"
Height	8.60"	8.60"
Mounting Thread	1" – 12 UNF	1" – 12 UNF
Flow	3/4" flow	3/4" flow
Shell Thickness	0.020	0.020
Gasket Material	Buna N	Buna N
Collapse (Min.)	150 psid (10.3 bar)	150 psid (10.3 bar)
Burst (Min.)	250 psi (17.2 bar)	250 psi (17.2 bar)
Max. Operating Temp.	250°F (139°C)	250°F (139°C)
Min. Operating Temp.	-20°F (-28.9°C)	-20°F (-28.9°C)
Other Features	Epoxy Coated Shell, UL Recognized US & Canada	Epoxy Coated Shell, UL Recognized US & Canada

*Particulate Removing

Adaptors Available	Catalog	Description
	0.75 N1-12	3/4" NPT Ports, 1" – 12 UNF (cast iron)
	0.75 N1-12A	3/4" NPT Ports, 1" – 12 UNF (aluminum)
	1.00 N1-12	1" NPT Ports, 1" – 12 UNF (cast iron)
	1.00 N1-12A	1" NPT Ports, 1" – 12 UNF (aluminum)
	0.75 B1-12	3/4" BSP Ports, 1" – 12 UNF (aluminum)
	1.00 B1-12	1" BSP Ports, 1" – 12 UNF (aluminum)

NOTE: If you experience frequent filter changes, it is recommended that you have fuel samples analyzed to determine the source of contamination, such as water, dirt, rust, bacteria, phase separation, etc.

PetroClear is a technological product of Champion Laboratories, Inc. Changes may occur based upon technology, process and material innovation as Champion Laboratories, Inc. strives to attain the highest levels of performance and customer satisfaction. These changes may occur without notification.