

50163 Aluminum Adaptor



Product Specs:

*Aluminum Mounting Adaptor
for 800 Series*

Carton Qty: 1 Each

Dims: See Drawing

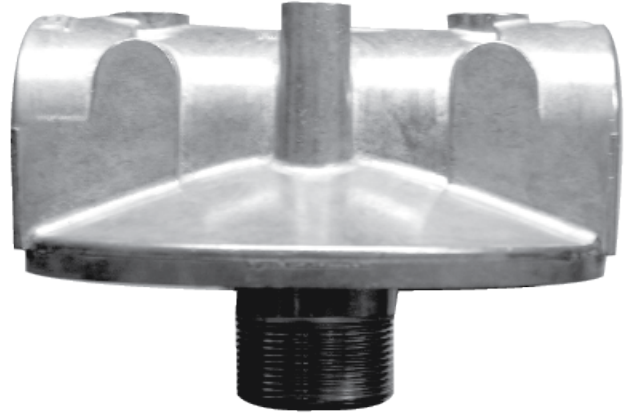
IN/OUT: 1 1/2" NPT

Nose Thread Size: 1 1/2"-16

Carton Weight: 2.0#

Carton Size:

5 15/16" X 5 9/16" X 4 1/4"



FOR USE WITH THE FOLLOWING PART NUMBERS:

70814, 70019, 70020, 70063, 70068, 70036, 70028, 70037, 70024, 70041

PRODUCT DRAWING

