

Part # 30202

VIKING ELEMENT

E-1300MG-10

 **MADE IN USA**



Compatibility

Gasoline, diesel, biodiesel up to B100, ULSD (Ultra Low Sulfur Diesel), ethanol blends up to 15%, and industrial fluids such as lubrication oils, hydraulic oils, synthetic oils, and many solvents

Features

- Replacement element
- Removes particulates like dirt, dust, and rust
- For use with part# 40186, 40187, 40188, 40189, 40190, 40191

Specifications



MICROGLASS MEDIA

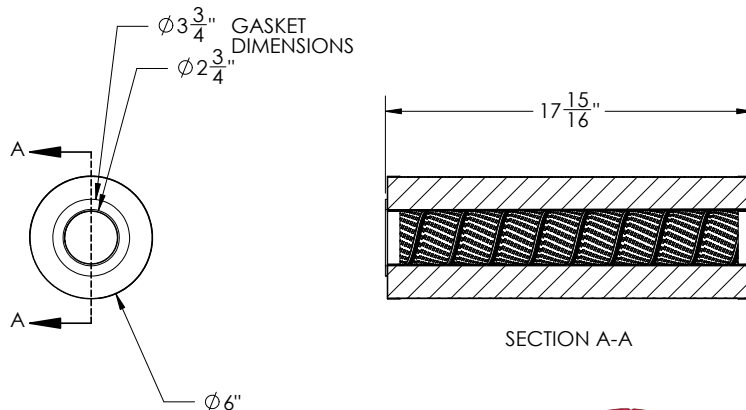
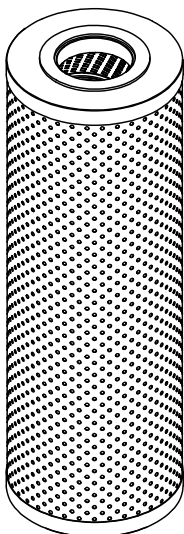
6" DIA. X 17 15/16" LENGTH

120 GPM MAX FLOW

150 PSI MAX WORKING PRESSURE

NOT FOR USE WITH AVIATION APPLICATIONS

*ADDITIONAL INFORMATION AND MEASUREMENTS AVAILABLE UPON REQUEST.



844.447.7663 www.cim-tek.com

INFORMATION & PRICE SUBJECT TO CHANGE WITHOUT NOTICE
REV. C 07.14.2022

