

Part # 30034

VIKING ELEMENT

E-1300HS-10

 **MADE IN USA**



Compatibility

Gasoline, diesel, biodiesel up to B20, ULSD (Ultra Low Sulfur Diesel), and industrial fluids such as lubrication oils, hydraulic oils, synthetic oils, and many solvents

Features

- Replacement element
- Detects water and removes particulates like dirt, dust and rust
- For use with part# 40186, 40187, 40188, 40189, 40190, 40191

Specifications



HYDROSORB MEDIA

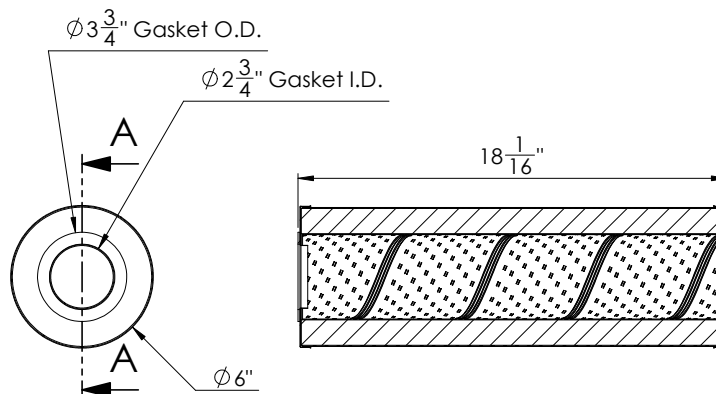
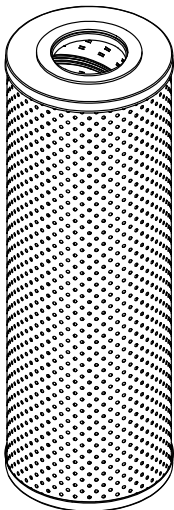
6" DIA. X 18 1/16" LENGTH

120 GPM MAX FLOW

150 PSI MAX WORKING PRESSURE

NOT FOR USE WITH AVIATION APPLICATIONS

*ADDITIONAL INFORMATION AND MEASUREMENTS AVAILABLE UPON REQUEST.



☎ 844.447.7663 🌐 www.cim-tek.com

INFORMATION & PRICE SUBJECT TO CHANGE WITHOUT NOTICE
REV. C 07.14.2022

CIM  **TEK**[®]
FILTRATION