

Section Five

Suction System

	<i>Page Number</i>	
Suction System	5-2	T C S
Motor Assembly	5-4, 5-5	
Rotary Pump Assembly	5-6, 5-7	
Rotary Pump & Air Separator	5-8, 5-9, 5-10	

T
C
S

D
I
S
P
E
N
S
E
R

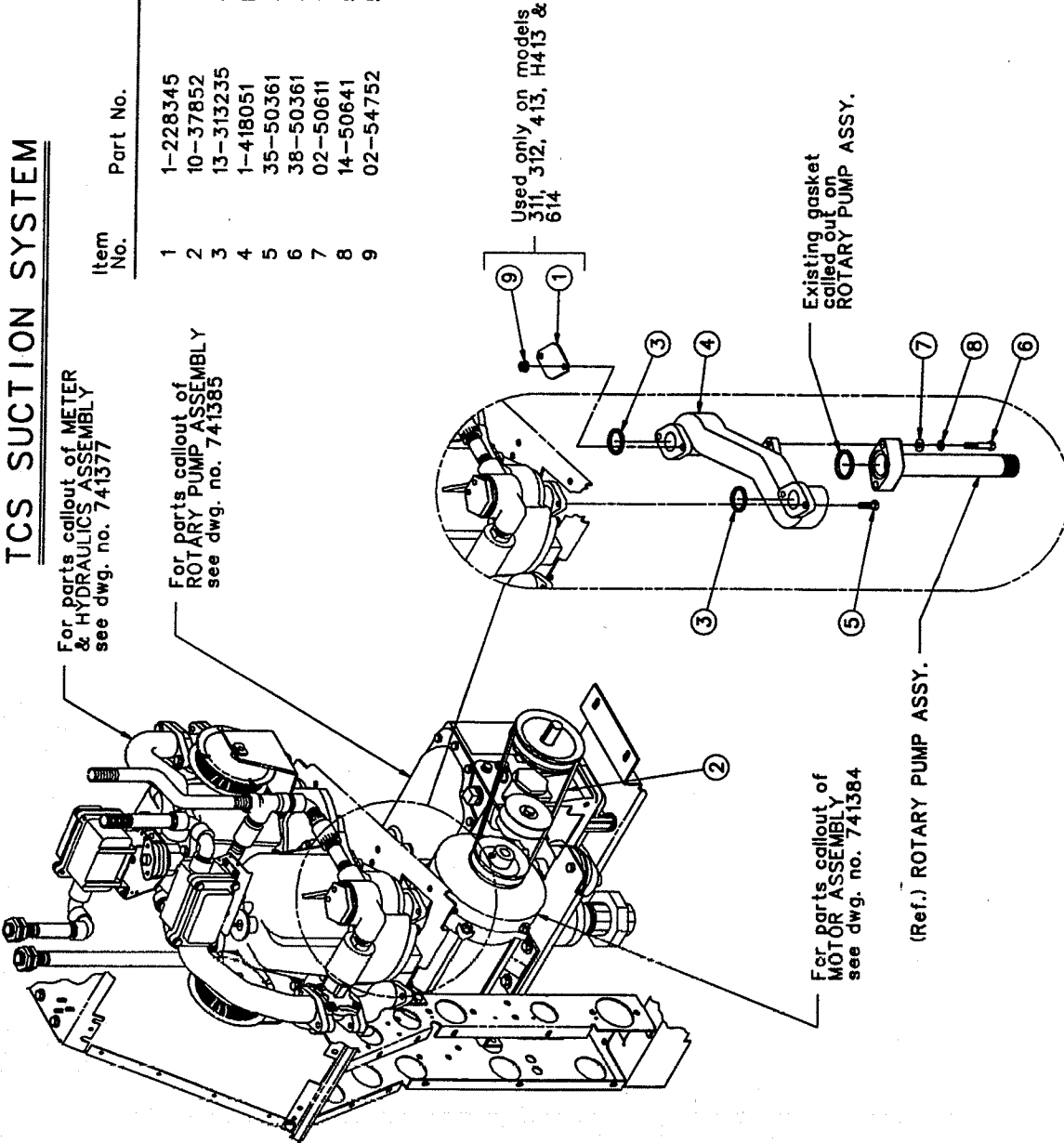
TCS SUCTION SYSTEM

For parts callout of METER & HYDRAULICS ASSEMBLY see dwg. no. 741377

For parts callout of ROTARY PUMP ASSEMBLY see dwg. no. 741385

For parts callout of MOTOR ASSEMBLY see dwg. no. 741384

(Ref.) ROTARY PUMP ASSY.



Item No.	Part No.	Name Of Part
1	1-228345	Manifold Cap
2	10-37852	"y" Belt
3	13-313235	Gasket
4	1-418051	Manifold
5	35-50361	5/16-18 X 1" Lg. Hex Hd. Cap Screw
6	38-50361	5/16-18 X 1-3/4 Lg. Hex Hd. Cap Screw
7	02-50611	1/4 Plate Washer
8	14-50641	5/16 Lockwasher
9	02-54752	5/16-18 M-F Flange Whiz Lock Nut

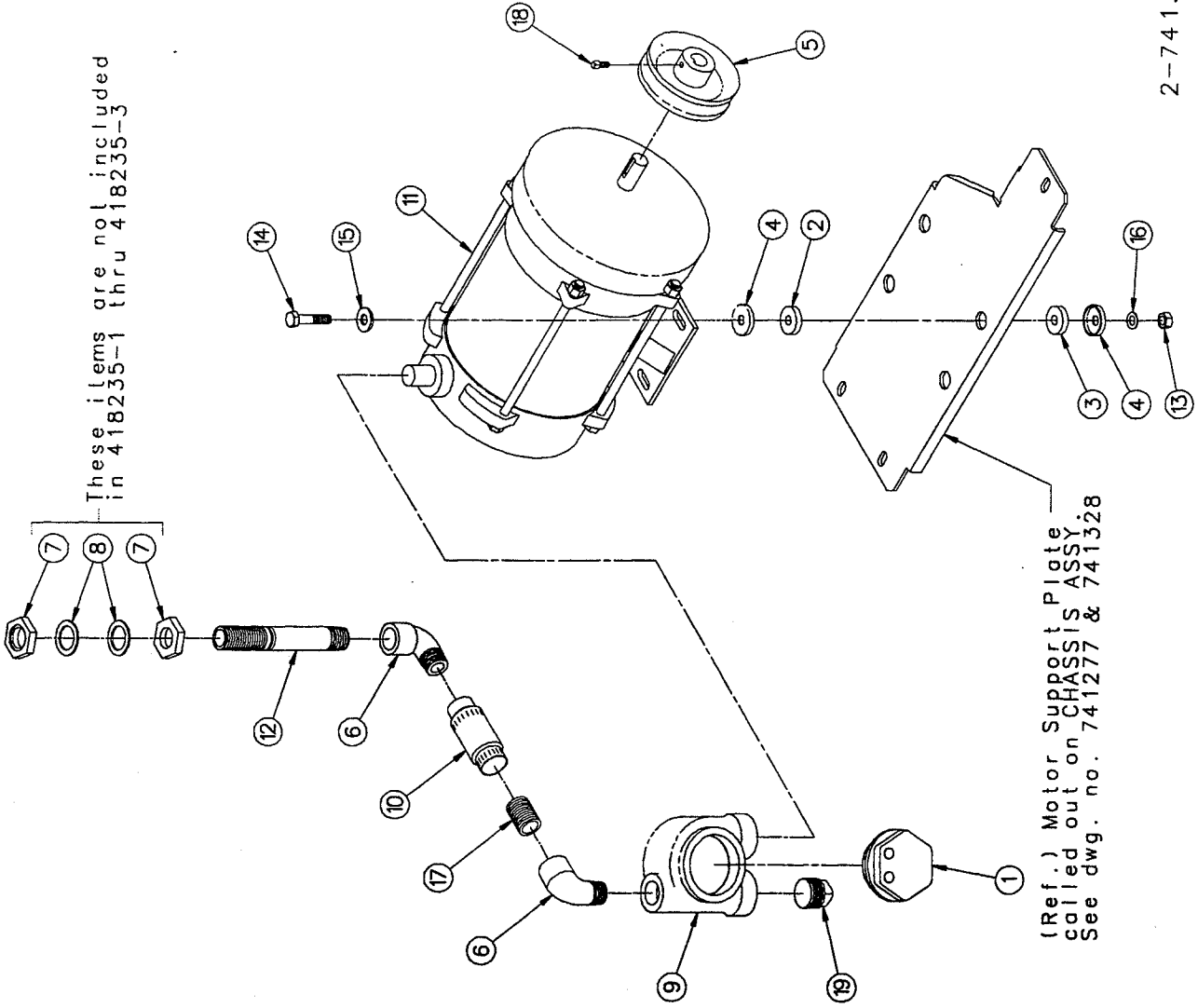
Used only on models 311, 312, 413, H413 & 614

Existing gasket called out on ROTARY PUMP ASSY.



Notes

MOTOR ASSEMBLY FOR TCS



2-741384

2-741384
1 of 1

MOTOR ASSEMBLY FOR TCS

ITEM NO.	PART NO.	DESCRIPTION	ITEM NO.	PART NO.	DESCRIPTION
1	1-19167	Connection Box Cover	18	65-50721	5/16-18 x 1/4" Long Hex Socket Headless Cup Point Set Screw
2	1-114468	Cushion Grommet	19	05-51890	3/4" Pipe Plug
3	1-114469	Cushion Washer	<u>For complete 115/230 Volt Motor Assembly order:</u> 418235-1 Model 30" FP 1 & 2, 45" FP 1 & 3, 60" FP 1 & 4 (Includes Motor Support Plate 1-418201)		
4	1-114470	Cushion Retainer	418235-2 Model 60" FP 2 & 3 (Includes Motor Support Plate 1-418197)		
5	<u>Motor Pulley</u>		418235-3 Model 45" FP 2 (Includes Motor Support Plate 1-418196)		
	1-119529	115/230 Volt Motor	<u>For complete 380 Volt Motor Assembly order:</u> 418235-4 Model 30" FP 1 & 2, 45" FP 1 & 3, 60" FP 1 & 4 (Includes Motor Support Plate 1-418201)		
	1-220878	380 Volt Motor	418235-5 Model 45" FP 2 (Includes Motor Support Plate 1-418196)		
6	1-128035	1/2" x 90° Conduit Street Elbow	418235-6 Model 60" FP 2 & 3 (Includes Motor Support Plate 1-418197)		
7	1-130590	Conduit Nut			
8	1-130613	Conduit Washer			
9	1-23661	Connection Box			
10	1-219892	Expansion Union (Female-Female)			
11	<u>1/2 H.P. Motor</u>				
	1-417119	General Electric (115/230 Volt)			
	1-419102	Franklin Electric (115/230 Volt)			
	2-420499	Franklin Electric (380 Volt)			
12	<u>Motor Conduit Assembly</u>				
	418235-7	115/230 Volt Motor			
	418235-8	380 Volt Motor			
13	02-50301	5/16-18 Hex Nut			
14	37-50361	5/16-18 x 1-1/2" Long Hex Head Cap Screw			
15	03-50611	5/16" Plate Washer			
16	14-50641	5/16" Lockwasher			
17	01-50710	Conduit Nipple			

Note: FP = Fuel Point

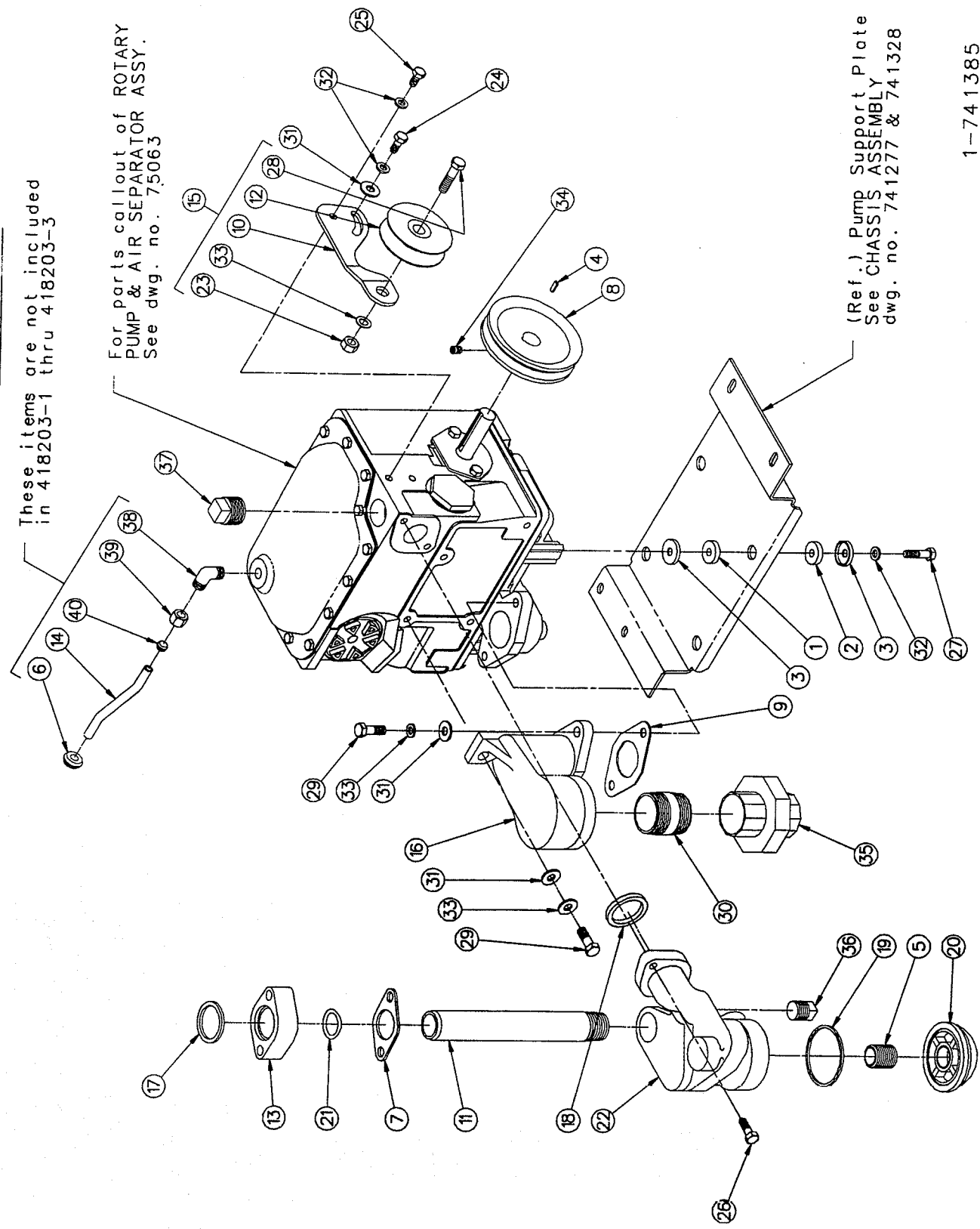
2-741384

ROTARY PUMP ASSEMBLY FOR TCS

These items are not included in 418203-1 thru 418203-3

For parts callout of ROTARY PUMP & AIR SEPARATOR ASSY. See dwg. no. 75063

(Ref.) Pump Support Plate See CHASSIS ASSEMBLY dwg. no. 741277 & 741328



1-741385

1 of 1

ROTARY PUMP ASSEMBLY FOR TCS

ITEM NO.	PART NO.	DESCRIPTION	ITEM NO.	PART NO.	DESCRIPTION	ITEM NO.	PART NO.	DESCRIPTION
1	1-114468	Cushion Grommet	17	6-313235	Coupling Gasket	34	65-50721	5/16-18 X 1/4
2	1-114469	Cushion Washer	18	14-313235	Filter Adapter Gasket			Length Hex Socket
3	1-114470	Cushion Retainer	19	16-313235	Filter Adapter Cap			Headless Cup Point
4	1-119636	Key	20	1-318183	Gasket			Set Screw
5	1-125865	1" X 1-1/8" Length Nipple	21	19-318940	Cap	35	27-51780	1-1/2 Female Union
6	1-127786	Grommet	22	2-418039	"O" Ring	36	05-51901	3/4 Pipe Plug
7	1-129618	Flange	23	03-50301	Filter Adapter	37	06-51901	1" Pipe Plug
8	1-216295	Pump Pulley	24	32-50361	3/8-16 Hex Nut	38	05-52020	Compression Elbow
9	1-217902	Pump Inlet	25	33-50361	5/16-18 X 5/8	39	05-52040	Compression Sleeve
10	1-217903	Connection Gasket	26	35-50361	Length Hex Head Cap Screw	40	14-52040	Compression Nut
11	8-220383	Idle Arm	27	36-50361	5/16-18 X 3/4			
12	1-221668	Coupling Nipple	28	67-50361	Length Hex Head Cap Screw			
13	1-224019	Idle Pulley	29	297-50361	5/16-18 X 1-1/4			
14	Vent Tubes	Coupling	30	117-50560	Length Hex Head Cap Screw			
	1-228628	Low Profile (30" FP 1 & 2, 45" FP 1 & 3, 60" FP 1 & 4.)	31	03-50611	3/8-16 x 1-1/8			
	1-418234	Low Profile (45" FP 2, 60" FP 2 & 3.)	32	14-50641	Length Hex Head Cap Screw			
	1-419614	High Hose (30" FP 1 & 2, 45" FP 1 & 3, 60" FP 1 & 4.)	33	15-50641	1-1/2 X 1-3/4			
	1-419615	High Hose (45" FP 2, 60" FP 2 & 3.)			Length Pipe			
15	37277-16	Idle Arm & Pulley Assy. (includes item #10, 12, 23, 28 & 33)			5/16 Plate Washer			
16	1-38403	Pump Inlet Connection			5/16 Lockwasher			
					3/8 Lockwasher			

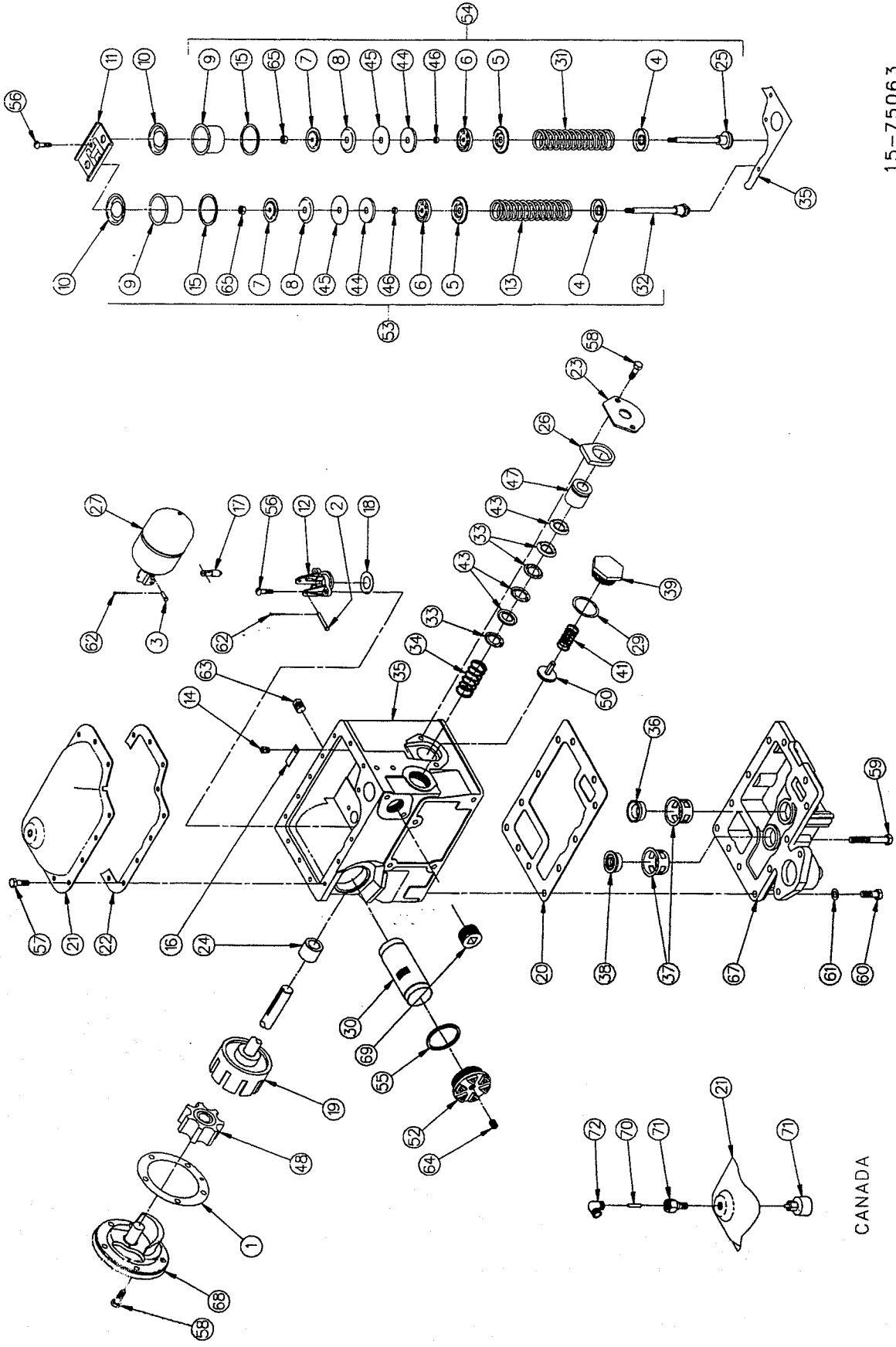
NOTE:

- Order: 418203-1 for complete Pump & Inlet Assy. (includes pump support plate 1-418168) (30" FP 1 & 2, 45" FP 1 & 3, 60" FP 1 & 4)
- Order 418203-2 for complete Pump & Inlet Assy. (includes pump support plate 1-418170) (60" FP 2 & 3)
- Order 418203-3 for complete Pump & Inlet Assy. (includes pump support plate 1-418169) (45" FP 2)

FP = Fuel Point

1-741385

ROTARY PUMP & AIR SEPARATOR



15-75063

CANADA

ROTARY PUMP & AIR SEPARATOR

ITEM NO.	PART NO.	DESCRIPTION	ITEM NO.	PART NO.	DESCRIPTION	ITEM NO.	PART NO.	DESCRIPTION
1	1-17526	Gasket	21	1-32089	Separator Cover	39	2-120731	Check Valve Cap
2	1-18654	Float Lever Pin	22	2-113691	Cover Gasket	41	1-120733	Poppet Spring
3	1-18655	Valve Pin	23	1-113698	Retainer	43	1-121394	"V" Packing
4	1-18716	Guide Plate	24	1-113703	Bearing	44	1-126295	Plunger Guide
5	1-18717	Spring Plate	25	113776-1	Regulating Poppet Assembly	45	1-126343	Plunger Disc
6	1-18718	Plunger Head	26	1-113819	Oil Well Felt	46	1-126344	Plunger Spacer
7	1-18719	Plunger Plate	27	114064-1	Float Assembly	47	1-210024	Drive Shaft Bearing
8	1-18720	Plunger Follower	29	21-313235	Gasket	48	1-211816	Rotary Pump Idler
9	1-18721	Valve Cylinder	30	<u>Suction Screen</u>		50	213168-1	Poppet Disc & Relief Valve Assembly
10	1-18722	Cylinder Head						
11	1-18731	Clamp Plate						
12	1-18734	Float Valve Body						
13	<u>By-Pass Valve Spring</u> 1-18735	(34# To 35-1/2# Spring) (855-BB & 855-CC)				52	<u>Suction Strainer Cap</u> 1-232289	855-BB & 855-DD
	1-131178	(44-1/2# Spring) (855-DD & 855-BB)					2-215030	855-CC
14	1-18750	Vent Screw	31	1-115642	Regulating Valve Spring	53	<u>By-Pass Valve Assembly</u> 217897-2	34# To 35-1/2# Spring (855-BB & 855-CC)
15	1-18792	Valve Cylinder Gasket	32	1-116628	By-Pass Valve Poppet		217897-6	44-1/2# Spring (855-DD & 855-BB)
16	1-18799	Vent Screw Guard	33	1-117475	Packing Gland			
17	1-18860	Float Valve Needle	34	1-117660	Packing Spring			
18	1-18961	Float Valve Gasket	35	118335-1	Rotary Pump & Separator Body			
19	25664-1	Pump Rotor Shaft Assembly			With Gasket, Bearing, Screws & Spring	54	217898-2	Regulating Valve Assembly
20	1-25879	Bottom Head Gasket	36	1-118590	Regulating Valve Seat	55	2-313235	Gasket
			37	1-118591	Valve Seat Guide	56	403-54921	1/4-20 x 1" Long Phillips Pan Head Machine Screw
			38	1-118640	By-Pass Valve Seat			

ROTARY PUMP & AIR SEPARATOR - Continued

ITEM NO.	PART NO.	DESCRIPTION	ITEM NO.	PART NO.	DESCRIPTION	ITEM NO.	PART NO.	DESCRIPTION
57	01-50360	1/4-20 x 1/2" Long Hex Head Cap Screw	68	211818-1	Rotary Pump Head Assembly	For complete Rotary Pump & Air Separator order:		
58	34-50360	5/16-18 x 7/8" Long Hex Head Cap Screw	69	27-51901	1" Pipe Plug (855-CC)	405952-39	855-BB (162, 162-1-TW, 1248/50A, 1248/50A-1-TW, 1248/50AS, 785, 785MC, 785-1-TW, 262 & 262-1-TW, 311, 312, 322, 324, 413, 426, 614 & 628)	
59	72-50360	3/8-16 x 2-3/4" Long Hex Head Cap Screw	70	1-132735	Valve Stem	405952-40	855-CC (162-2-TW, 1248/50A-2-TW, 785-2-TW, 262-2-TW)	
60	297-50360	3/8-16 x 1-1/8" Long Hex Head Cap Screw	71	1-232164	Float Assembly	405952-42	855-DD (162-HC, 1248/50A-HS, 1248/50AS-HS & 785-HC)	
61	15-50641	3/8" Lockwasher (855-CC)	72	05-52020	3/8" Tube 90° Elbow	405952-43	855-BB (1248/50AS-HD)	
62	17-51210	1/16" Dia x 1/2" Long Cotter Pin						
63	02-51911	1/4" Square Head Pipe Plug						
64	38-51911	1/4" Countersunk Pipe Plug						
65	01-52321	1/4-28 Hex Nut						
67		<u>Lower Pump Head With Valve Seat Guides, Regulating Valve Seal</u>						
		408143-1						
		408143-2						
		408143-4						
		855-BB						
		855-CC						
		855-DD						

15-75063