

Section Six

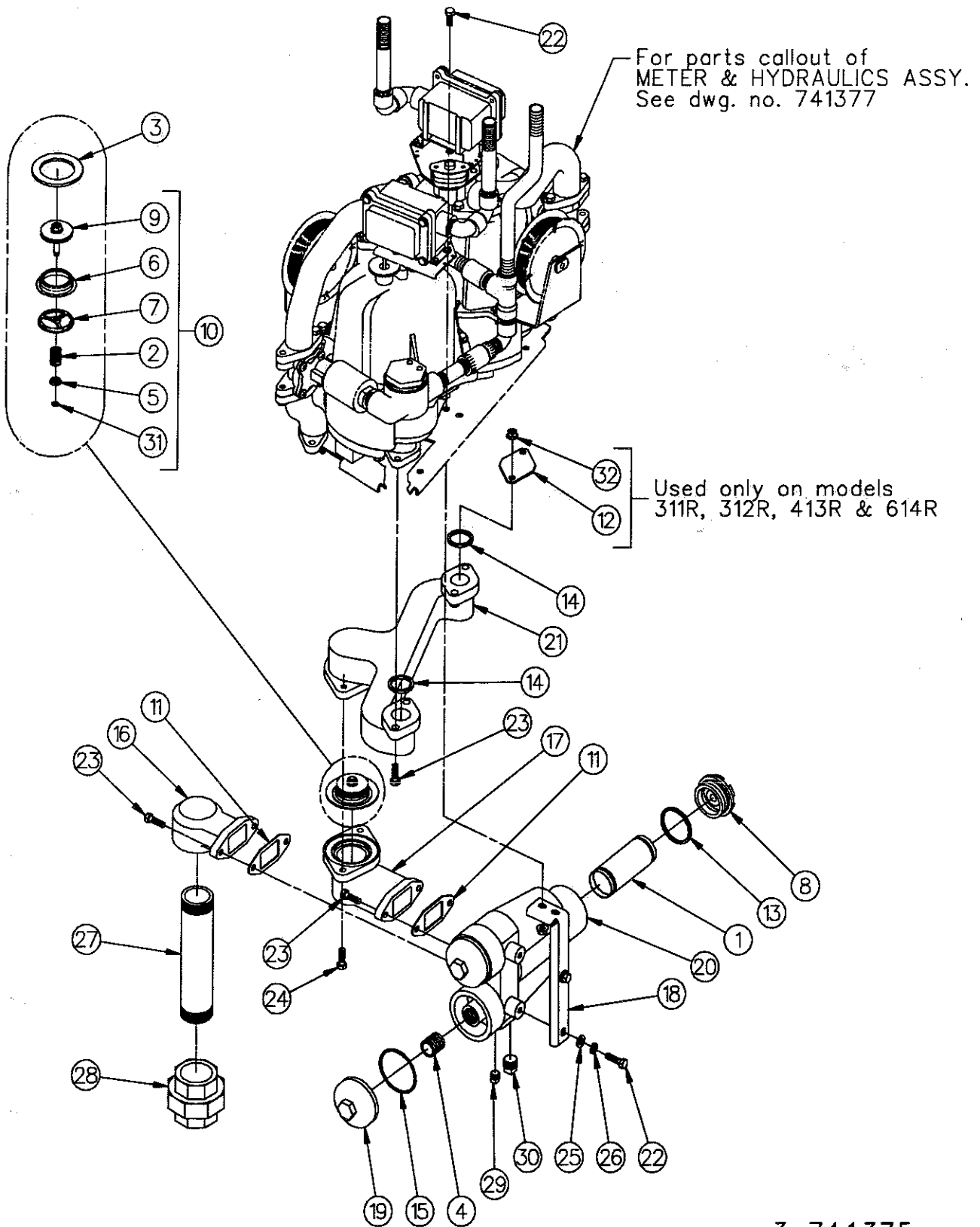
Remote Control System

	<i>Page Number</i>
Remote Control Hydraulics Assembly	
Dual Filter Design	6-2, 6-3
Single Filter Design	6-4, 6-5

T
C
S

D
I
S
P
E
N
S
E
R

TCS REMOTE CONTROL HYDRAULICS ASSEMBLY (DUAL FILTER DESIGN)



3-741375

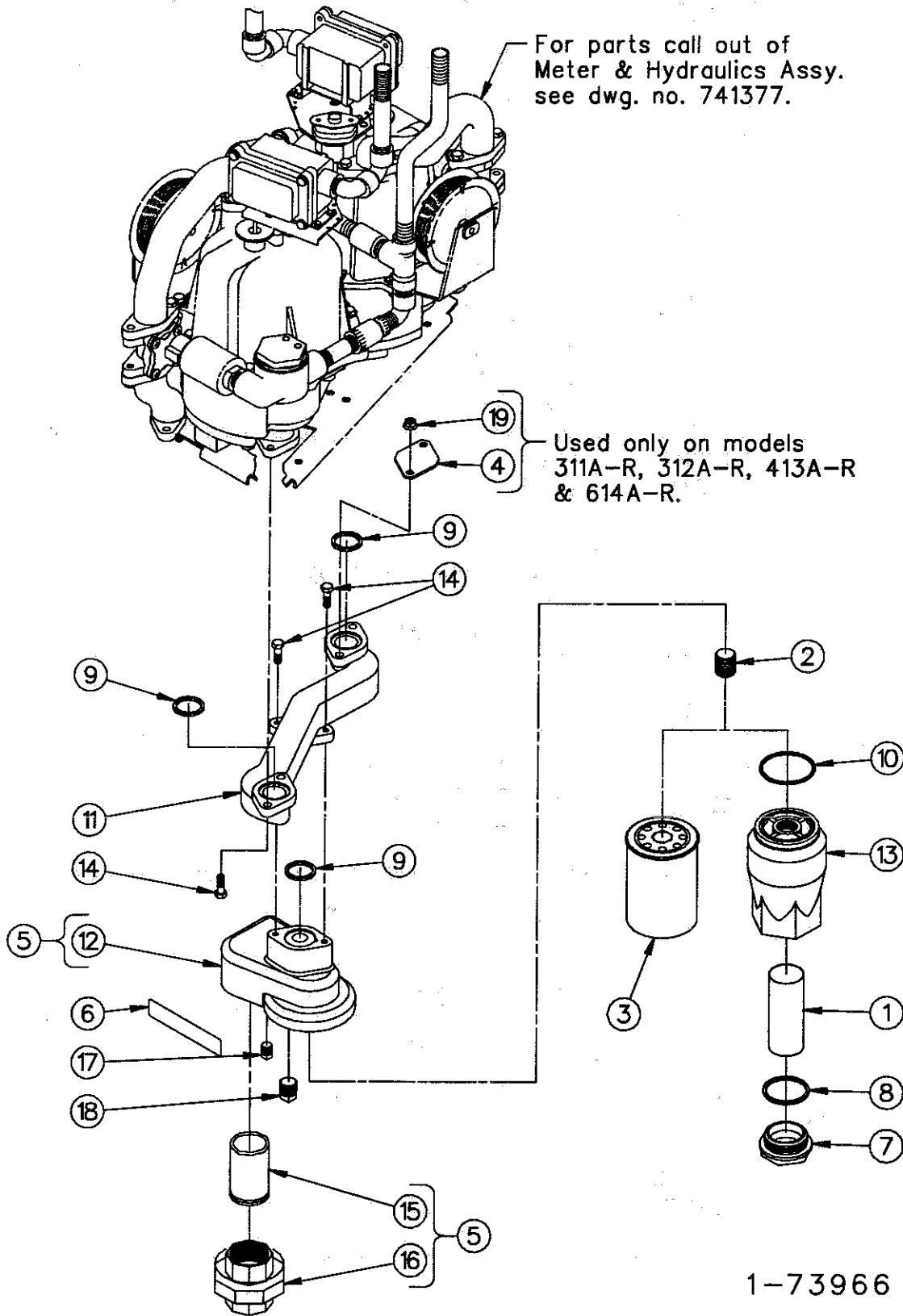
TCS REMOTE CONTROL HYDRAULICS ASSY. (DUAL FILTER DESIGN)

ITEM NO.	PART NO.	DESCRIPTION
1		<u>Strainer Screen Complete</u>
	1-115075	Gas
	2-115075	Diesel
2	1-121564	Poppet Spring
3	1-124296	Gasket
4	1-125865	1" x 1-1/8" Long Nipple
5	1-126871	Poppet Spring Washer
6	2-212443	Valve Seat
7	1-212444	Poppet Guide
8	1-215030	Suction Strainer Cap
9	216132-1	Valve Poppet Assembly
10	216133-1	Check Valve Assembly (Includes Items #2, 5, 6, 7, 9 & 31)
11	1-227765	Gasket
12	1-228345	Manifold Cap
13	2-313235	Gasket
14	13-313235	Gasket
15	16-313235	Gasket (Used Only With Cap)
16	1-317410	Inlet Adapter
17	1-317411	Check Valve Adapter
18	1-317456	Filter Body Bracket
19	1-318183	Cap
	1-218950	Wix Filter
	1-226999	Water Alert Filter (Gas)
	2-226999	Water Alert Filter (Diesel)
	3-226999	Water Alert Filter (Alcohols)
20	1-417286	Filter - Strainer Body (No longer available, use single filter design dwg. no. 73966)
21	1-418022	Manifold
22	32-50361	5/16-18 x 5/8" Long Hex Head Cap Screw
23	35-50361	5/16-18 x 1" Long Hex Head Cap Screw
24	296-50361	5/16-18 x 1-1/8" Long Hex Head Cap Screw
25	08-50621	5/16" Plain Washer
26	14-50641	5/16" Lockwasher
27	128-50560	1-1/2" x 8" Long Pipe Nipple
28	27-51780	1-1/2" Female Union
29	02-51891	1/4-18 Pipe Plug
30	04-51891	1/2-14 Pipe Plug
31	08-53270	Reliance Square Snap Ring (Closed)
32	02-54752	5/16-18 M-F Flange Whiz Lock Nut

3-741375

REMOTE CONTROL SYSTEM

(SINGLE FILTER DESIGN)



REMOTE CONTROL SYSTEM (SINGLE FILTER DESIGN)

ITEM NO.	PART NO.	DESCRIPTION
1	<u>Complete Suction Screen</u>	
	1-115075	Gasoline
	2-115075	Diesel
2	1-125865	1" x 1-1/8" Long Nipple
3	<u>Filter</u>	
	1-218950	Wix
	1-226999	Water Alert (Gasoline)
	2-226999	Water Alert (Diesel)
	3-226999	Water Alert (Alcohol)
4	1-228345	Manifold Cap
5	231848-1	Filter Body Assembly
6	1-232102	Warning Label
7	1-232289	Strainer Cap
8	2-313235	Gasket
9	13-313235	Gasket
10	16-313235	Gasket
11	2-418051	Manifold
12	1-420888	Filter Body
13	1-421041	Strainer Body
14	38-50361	5/16-18 x 1-3/4" Long Hex Head Cap Screw
15	130-50560	Pipe 1-1/2" x 10" Long
16	27-51780	1-1/2" Female Union
17	02-51891	1/4-18 Pipe Plug
18	04-51891	1/2-14 Pipe Plug
19	02-54752	5/16-18 M-F Flange Whiz-Lock Nut

1-73966

