

Section Two

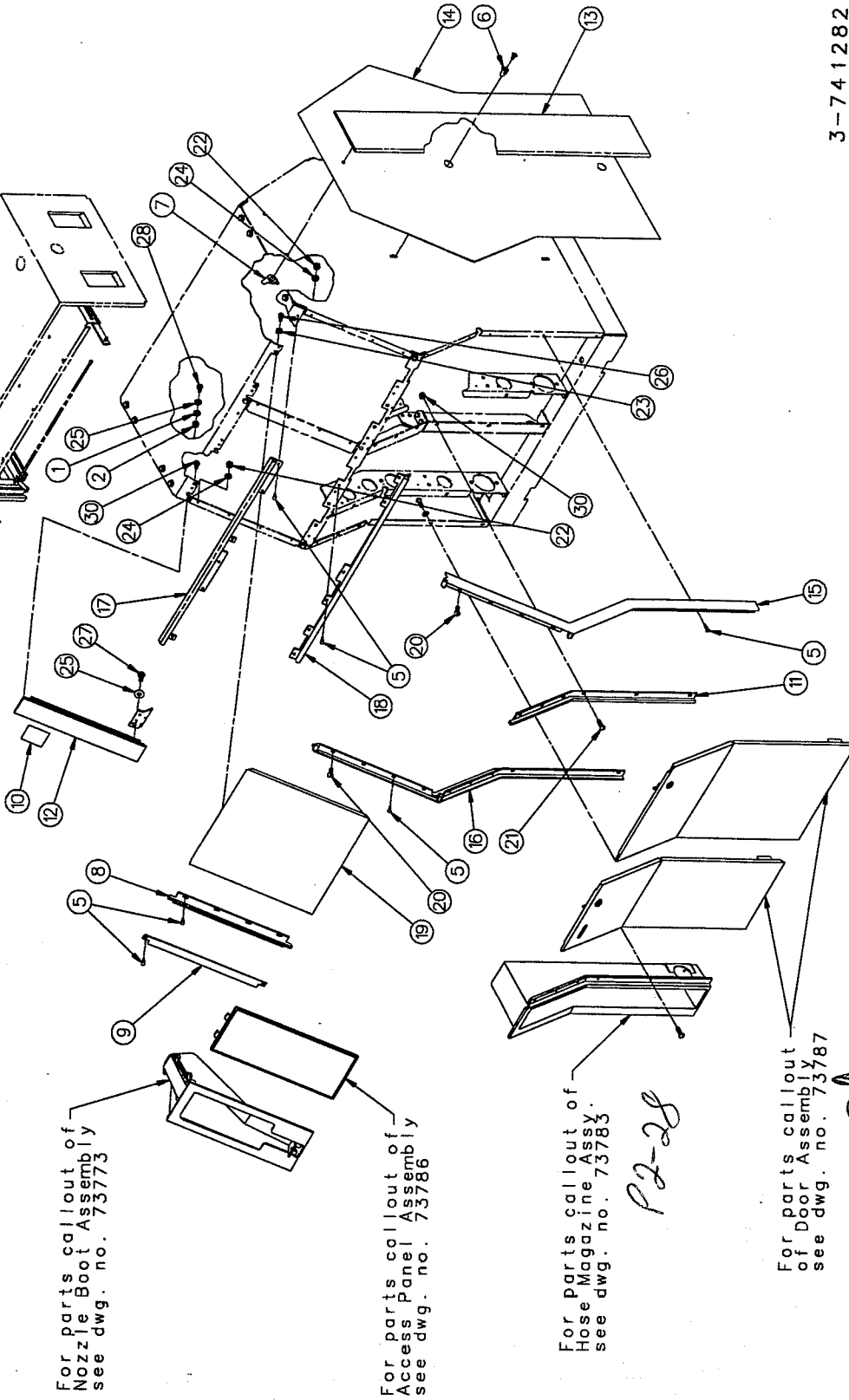
Outer Shell

	Page Number	
<i>Trim Assembly</i>		
Serial No. 109-40526 & Below	2-2, 2-3	T C S
Serial No. 109-40527 to 119-50390	2-4, 2-5	
Serial No. 119-50391 & Above	2-6, 2-7	
<i>High Hose</i>		
Serial No. 069-19557 & Below	2-8, 2-9	D I S P E N S E R
Serial No. 069-19558 to 109-40503	2-10, 2-11	
Serial No. 109-405 to 109-H628-40692, 119-H426-50383, 030-H324-52339	2-12, 2-13	
Serial No. 109-H628-40693 & Above, 119-H426-50384, 030-H324-52340	2-14, 2-15	
<i>Enclosure Assembly</i>		
Plastic Enclosure for TCS Non-A	2-16	D I S P E N S E R
Plastic Enclosure for TCS-A	2-17	
Steel Enclosure	2-18	
<i>Chassis Assembly</i>		
Serial No. 119-50390 & Below	2-20, 2-21	D I S P E N S E R
Serial No. 119-50391 & Above	2-22, 2-23	
<i>Nozzle Boot Assembly</i>		
Serial No. 119-50390 & Below	2-24	D I S P E N S E R
Serial No. 119-50391 & Above	2-26, 2-27	
<i>Hose Magazine Assembly For TCS Low Profile</i>	2-28	D I S P E N S E R
<i>Access Panel Assembly</i>		
Serial No. 119-50390 & Below	2-29	D I S P E N S E R
Serial No. 119-50391 & 031-58612	2-30	
Serial No. 119-58613 & Above	2-31	
<i>Door Assembly</i>	2-32, 2-33	D I S P E N S E R
<i>MaxVac Raceway Assembly</i>	2-34, 2-35	

TRIM ASSEMBLY FOR TCS

(SERIAL NO. 109-40526 & BELOW)

For parts callout of Enclosure Assembly see dwg. no. 741380



For parts callout of Nozzle Boot Assembly see dwg. no. 73773

For parts callout of Access Panel Assembly see dwg. no. 73786

For parts callout of Hose Magazine Assy. see dwg. no. 73783

P2-28

For parts callout of Door Assembly see dwg. no. 73787

P2-32

3-741282

3-741282
1 of 1

TCS TRIM ASSEMBLY - Serial No. 109-40526 & Below

ITEM NO.	PART NO.	DESCRIPTION	ITEM NO.	PART NO.	DESCRIPTION	ITEM NO.	PART NO.	DESCRIPTION
1	06-50621	Washer	18	Mid Stripping				
2	2-131460	Spacer	2-418222	30"				
3	1-223192	Lead Warning Decal (Not Shown)	2-418233	45"				
4	1-225094	Decal Unleaded (Not Shown)	2-418276	Left 60"				
5	1-228380	Blind Rivet	2-418277	Right 60"				
6	1-228381	Stud Receiver Clip	19	Top Panels				
7	1-228646	Self Threading Wing Nut	1-418533	Painted				
8	2-317413	Upper Vertical Strip	2-418533	Stainless				
9	1-317443	Gutter	174-50031	#8-32 X 1/2 Lg. Truss Hd. Mach Screw				
10	Instruction Decals		21	256-50031	#10-24 X 3/4 Lg. Truss Hd. Mach Screw			
	1-317827	Cash/Credit (45" High Hose)	22	04-50211	#8-32 Hex Nut			
	2-317827	Cash	23	07-50621	1/4 Plain Washer			
	3-317827	Preset/Cash/Credit (45" High Hose)	24	04-50761	#8 Lockwasher			
11	2-418020	Lower Vertical Strip	25	23-50761	#10 Lockwasher			
12	2-418025	Fixed Panel (2")	26	10-51491	#14 X 1/2 Lg. P.K. Self-Tapping Screw			
13	2-418030	Wide Trim Strip	27	248-52851	#10-24 X 3/8 Lg. Hex Hd. Mach Screw			
	2-419069	Wide Trim Strip (H3, H4 & H6)	28	252-52851	#10-24 X 1/2 Lg. Hex Hd. Mach Screw			
14	Stainless End Trim		29	04-54742	1/4-20 X 3/8 Lg. M-F Hex Hd. Whiz-Lock Screw			
	1-418065	Serial Plate Side - (Remote Control)	30	03-54752	#10-24 M-F Flange Whiz-Lock Nut			
	2-418065	Side Opposite Serial Plate - (Remote Control)						
14	Stainless End Trim - (continued)		14	Stainless End Trim - (Serial Plate Side - Suction)				
5-418065			6-418065	(Side Opposite Serial Plate - Suction)				
1-419292			1-419292	(Serial Plate Side - Remote Control High Hose)				
2-419292			2-419292	(Side Opposite Serial Plate - Remote Control High Hose)				
3-419292			3-419292	(Serial Plate Side - Suction High Hose)				
4-419292			4-419292	(Side Opposite Serial Plate - Suction High Hose)				
15	Right Edge Strip		15	Right Edge Strip				
2-418066			2-418066	Use 2-419646				
2-419646			2-419646					
16	Left Edge Strip		16	Left Edge Strip				
2-418067			2-418067	Use 2-419647				
2-419647			2-419647					
17	Upper Stripping		17	Upper Stripping				
2-418221			2-418221	30"				
2-418232			2-418232	45"				
2-418274			2-418274	Left 60"				
2-418275			2-418275	Right 60"				

3-741282

TRIM ASSEMBLY FOR TCS

(SERIAL NO. 109-40527 TO 119-50390)

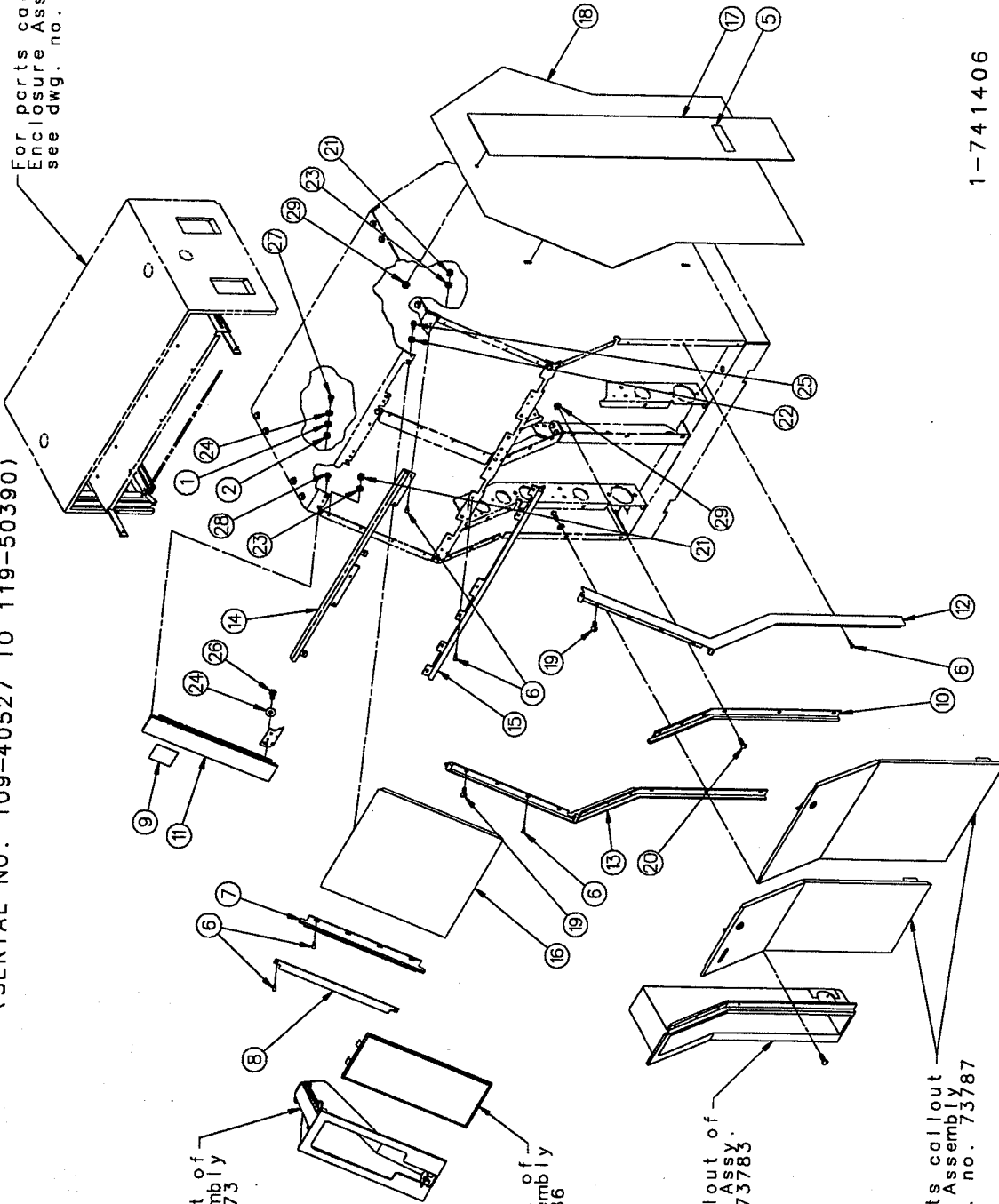
For parts callout of Enclosure Assembly see dwg. no. 741380

For parts callout of Nozzle Boot Assembly see dwg. no. 73773

For parts callout of Access Panel Assembly see dwg. no. 73786

For parts callout of Hose Magazine Assy. see dwg. no. 73783

For parts callout of Door Assembly see dwg. no. 73787



1-741406

1-741406

1 of 1

TCS TRIM ASSEMBLY - Serial No. 109-40527 to 119-50390

ITEM NO.	PART NO.	DESCRIPTION	ITEM NO.	PART NO.	DESCRIPTION	ITEM NO.	PART NO.	DESCRIPTION
1	06-50621	Washer	16	Top Panels		20	256-50031	#10-24 X 3/4 Lg. Truss Hd. Mach Screw
2	2-131460	Spacer	17	1-418533	Painted	21	04-50211	#8-32 Hex Nut
3	1-223192	Lead Warning Decal (Not Shown)		2-418533	Stainless	22	07-50621	1/4 Plain Washer
4	1-225094	Decal Unleaded (Not Shown)		Wide Trim Stripping		23	04-50761	#8 Lockwasher
5	1-227277	Notice Label		420312-1	Stainless	24	23-50761	#10 Lockwasher
6	1-228380	Blind Rivet		420312-2	Stainless (H3, H4 & H6)	25	10-51491	#14 X 1/2 Lg. P.K. Self-Tapping Screw
7	2-317413	Upper Vertical Strip	18	Painted End Trimming		26	248-52851	#10-24 X 3/8 Lg. Hex Hd. Mach Screw
8	1-317443	Gutter		5-420313	Painted Serial Plate Side - (Remote Control)	27	252-52851	#10-24 X 1/2 Lg. Hex Hd. Mach Screw
9	Instruction Decals			6-420313	Side Opposite	28	04-54742	1/4-20 X 3/8 Lg. M-F Hex Hd. Whiz-Lock Nut
	1-317827	Cash/Credit (45" High Hose)		7-420313	Serial Plate Side - (Remote Control)	29	03-54752	#10-24 M-F Flange Whiz-Lock Nut
	2-317827	Cash		8-420313	Serial Plate Side - (Suction)			
	3-317827	Preset/Cash/Credit (45" High Hose)		5-420325	Side Opposite Serial Plate - (Suction)			
10	2-418020	Lower Vertical Strip		6-420325	Serial Plate Side - (Remote Control High Hose)			
11	2-418025	Fixed Panel (2"0)		7-420325	Side Opposite Serial Plate - (Remote Control High Hose)			
12	Right Edge Strip			8-420325	Serial Plate Side - (Suction High Hose)			
	2-418066	Use 2-419646			Painted End Trim			
	2-419646				Side Opposite Serial Plate - (Suction High Hose)			
13	Left Edge Strip				#8-32 X 1/2 Lg. Truss Hd. Mach Screw			
	2-418067	Use 2-419647		19	174-50031			
	2-419647							
14	Upper Stripping							
	2-418221	30"						
	2-418232	45"						
	2-418274	Left 60"						
	2-418275	Right 60"						
15	Mid Stripping							
	2-418222	30"						
	2-418233	45"						
	2-418276	Left 60"						
	2-418277	Right 60"						

NOTE:

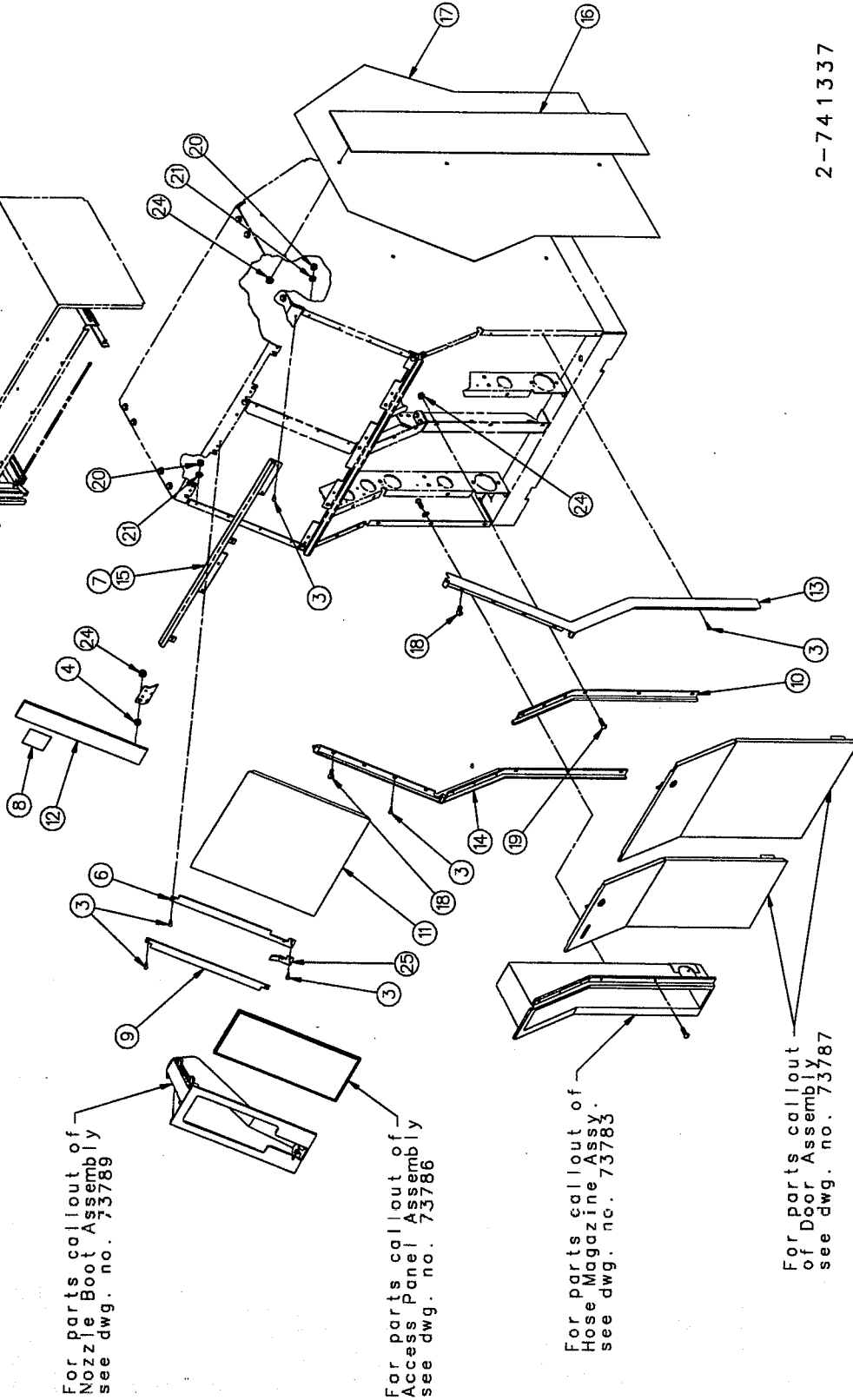
- For Stainless Steel End Trim & Painted Wide Trim see drawing number 3-741282
- For Wide Trim Strip (Models H3, H4 & H6) see drawing number 3-741282

1-741406

TRIM ASSEMBLY FOR TCS

(SERIAL NO. 119-50391 & ABOVE)

For parts callout of Enclosure Assembly see dwg. no. 741382



For parts callout of Nozzle Boot Assembly see dwg. no. 73789

For parts callout of Access Panel Assembly see dwg. no. 73786

For parts callout of Hose Magazine Assy. see dwg. no. 73783

For parts callout of Door Assembly see dwg. no. 73787

2-741337

2-741337

1 of 1

TCS TRIM ASSEMBLY - Serial No. 119-50391 & Above

ITEM NO.	PART NO.	DESCRIPTION	ITEM NO.	PART NO.	DESCRIPTION	ITEM NO.	PART NO.	DESCRIPTION
1	1-223192	Lead Warning Decal (Not Shown)	14	2-419647	Left Edge Strip	17	Painted_End_Trimming - (continued)	
2	1-225094	Decal Unleaded (Not Shown)	15	Top_Trim_Stripping		8-420325	High Hose - Side	
3	1-228380	Blind Rivet	2-419260	45" (Mobil only)			Opposite Serial Plate	
4	1-229606	Spacer - Universal	2-419662	30"			- Suction	
5	2-317413	Upper Vertical Strip	2-419663	45"		18	174-50031	#8-32 X 1/2 Large Truss Head Machine Screw
6	1-317443	Gutter	2-419664	60"				
7	7-317638	Cushion 45"	420312-1	Stainless Wide Trim Strip Weld Assembly		19	256-50031	#10-24 X 3/4 Large Truss Head Machine Screw
8	Instruction_Decal		17	Painted_End_Trimming				
	1-317827	Cash/Credit (45" High Hose)	5-420313	(Serial Plate Side - Remote Control)		20	04-50211	#8-32 Hex Nut
	2-317827	Cash	6-420313	(Side Opposite Serial Plate - Remote Control)		21	04-50761	#8 Lockwasher
	3-317827	Preset/Cash/Credit (45" High Hose)	7-420313	(Serial Plate Side - Suction)		22	07-50621	1/4 Plain Washer
9	2-318147	Gutter	8-420313	(Side Opposite Serial Plate - Suction)		23	10-51491	#14 X 1/2 Large P.K. Self-Tapping Screw
10	2-418020	Lower Vertical Strip	5-420325	High Hose - Serial Plate Side - Remote Control		24	03-54752	#10-24 M-F Flange Whiz-Lock Nut
11	Top_Panels		6-420325	High Hose - Side Opposite Serial Plate - Remote Control		25	1-230116	Gutter Spring
12	2-420237	Stainless	7-420325	High Hose - Serial Plate Side - Suction				
	3-420237	Painted						
	Fixed_Access_Panel							
	2-420692	2" (all except Mobil)						
	16-420692	6" (Mobil only)						
13	2-419646	Right Edge Strip						

NOTE:

- For Stainless Steel End Trim & Painted Wide Trim see drawing number 3-741282.
- For Wide Trim Strip (Models H3, H4 & H6) see Drawing number 3-741282.

2-741337

2-741304

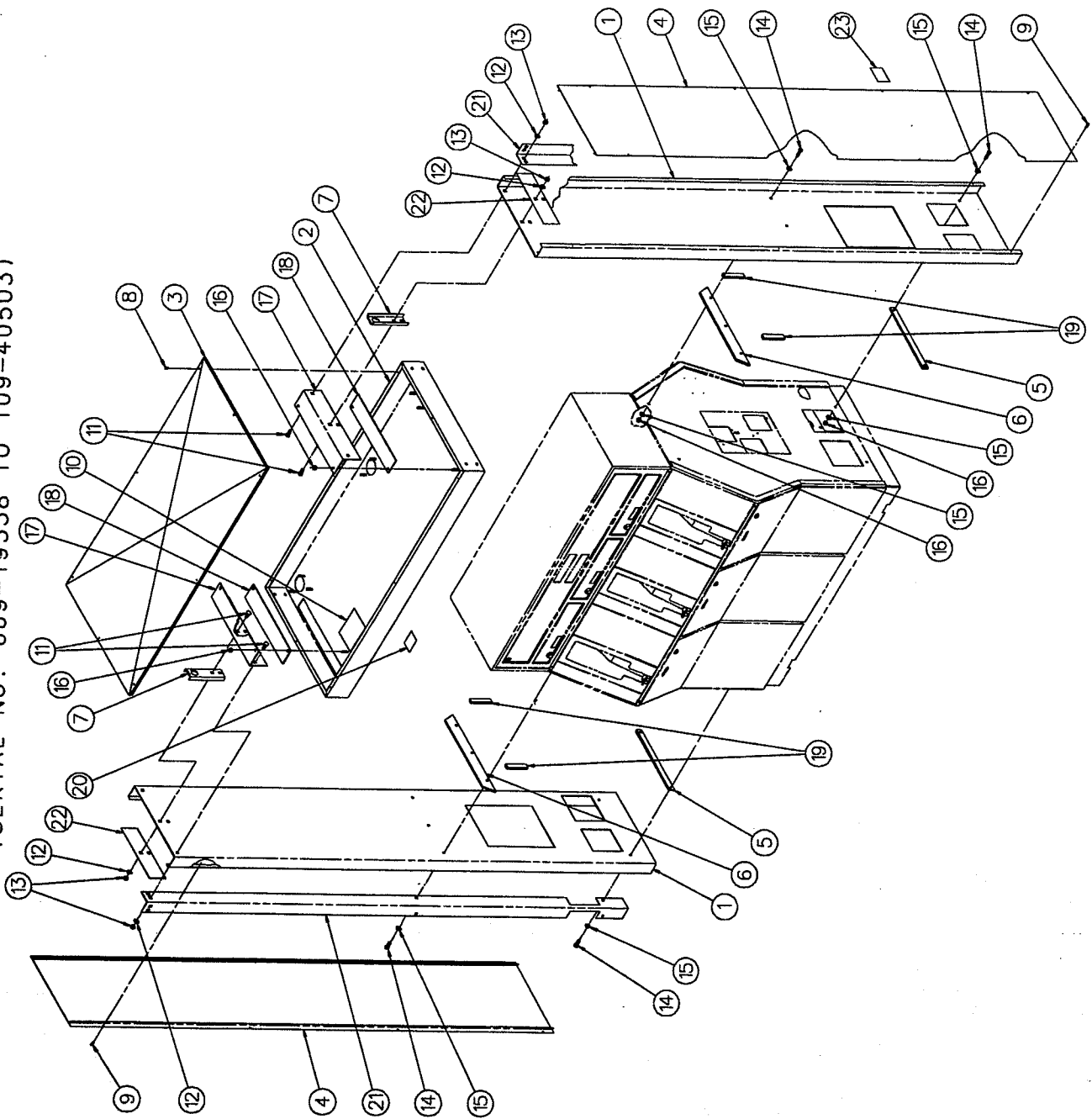
1 of 1

TCS TRIM ASSEMBLY (High Hose) - Serial No. 069-19557 & Below

ITEM NO.	PART NO.	DESCRIPTION	ITEM NO.	PART NO.	DESCRIPTION
1	419293-1	Post Assembly	4	1-419279	Post Cover
2	Raceway Weld Assemblies		5	1-229664	Spacer
	419263-2	All H426	6	2-229663	Barrier Strip
	419263-3	All H413	7	1-229655	Lift Bracket
	419263-4	W/O Valance (All H426)	8	1-131282	Seal Screw
	419263-5	W/O Valance (All H413)	9	5-126964	#8-32 X 1/2" Long Truss Head Thread
	419718-2	All H628			Cutting Screw
	419718-3	All H614	10	1-229690	Decalcomania
	419718-4	W/O Valance (All H628)	11	64-52191	3/8-16 X 1" Large Carriage Bolt
	419718-5	W/O Valance (All H614)	12	04-50611	3/8 Plate Washer
	419802-1	All H311	13	03-50301	3/8-16 Hex Nut
	419802-2	All H312	14	36-50361	5/16-18 X 1-1/4 Large Hex Head Cap Screw
	419802-3	All H322			Special Washer
	419802-4	All H324	15	1-131961	Special Washer
	419802-5	W/O Valance (All H311)	16	02-54752	5/16-18 M-F Flange Whiz-Lock Nut
	419802-6	W/O Valance (All H312)	17	1-318245	Post Support
	419802-7	W/O Valance (All H322)	18	1-318258	Post Spacer
	419802-8	W/O Valance (All H324)	19	1-229679	Cushion (3-3/4 Lg.)
3	Raceway Cover		20	1-226268	Decalcomania
	1-419266	45"			
	1-419703	60"			
	1-419801	30"			

2-741304

TCS TRIM ASSEMBLY (HIGH HOSE)
 (SERIAL NO. 069-19558 TO 109-40503)



2-741338

2-741338

1 of 1

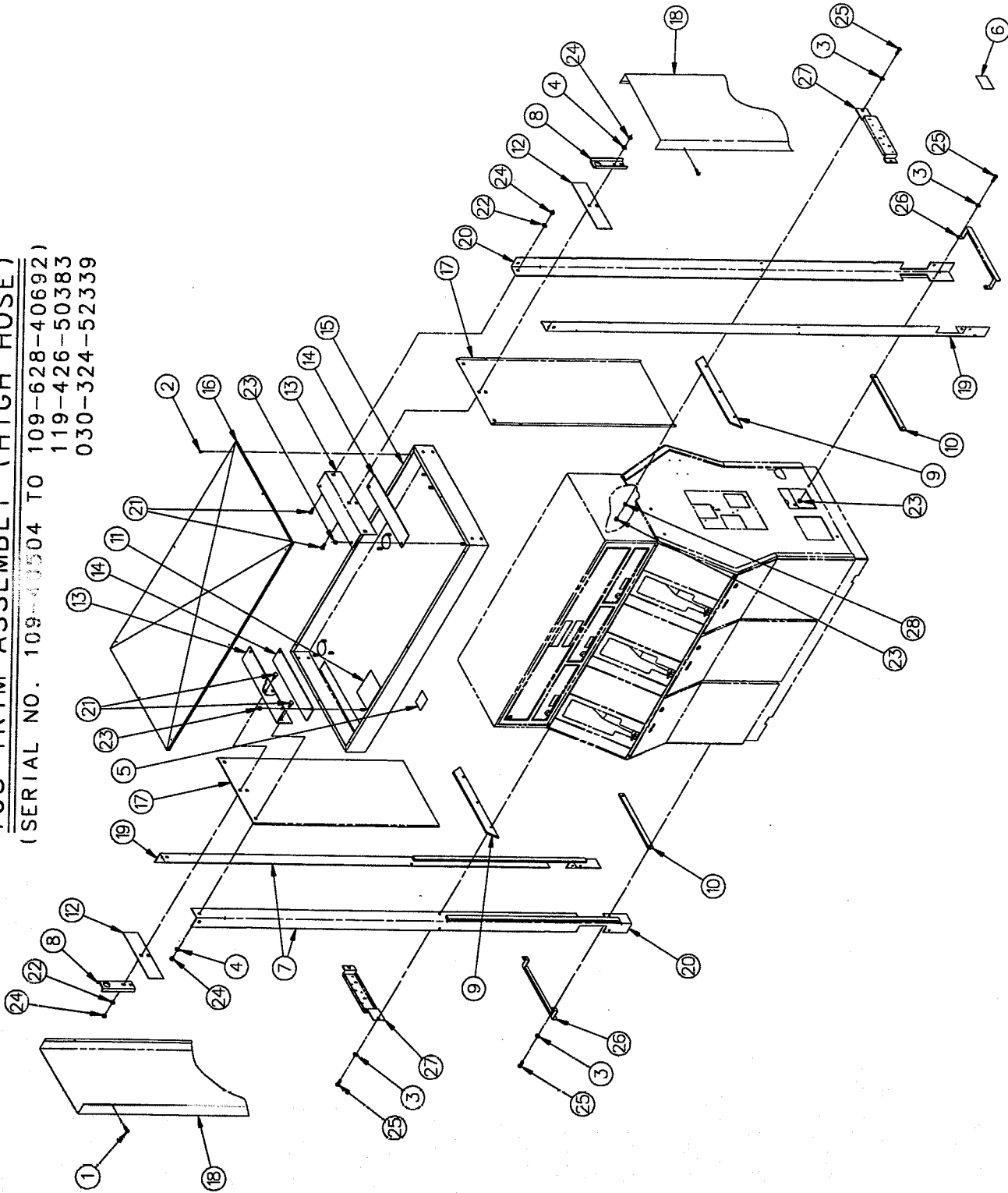
TCS TRIM ASSEMBLY (High Hose) - Serial No. 069-19558 to 109-40503

ITEM NO.	PART NO.	DESCRIPTION	ITEM NO.	PART NO.	DESCRIPTION
1		Post Assembly	4	1-419279	Post Cover
	419293-2	Stainless Steel	5	1-229664	Spacer
	419293-3	Painted	6	2-229663	Barrier Strip
2		Raceway Weld Assemblies	7	1-229655	Lift Bracket
	419263-2	All H426	8	1-131282	Seal Screw
	419263-3	All H413	9	5-126964	#8-32 X 1/2" Long Truss Head Thread
	419263-4	W/O Valance (All H426)	10	1-229690	Cutting Screw
	419263-5	W/O Valance (All H413)	11	64-52191	Decalcomania
	419718-2	All H628	12	04-50611	3/8-16 X 1" Large Carriage Bolt
	419718-3	All H614	13	04-54752	3/8 Plate Washer
	419718-4	W/O Valance (All H628)	14	36-50361	3/8-16 M-F Flange Whiz-Lock Nut
	419718-5	W/O Valance (All H614)	15	1-131961	5/16-18 X 1-1/4 Large Hex Head Cap Screw
	419802-1	All H311	16	02-54752	Special Washer
	419802-2	All H312	17	1-318245	5/16-18 M-F Flange Whiz-Lock Nut
	419802-3	All H322	18	1-318258	Post Support
	419802-4	All H324	19	3-227852	Post Spacer
	419802-5	W/O Valance (All H311)	20	1-226268	Cushion
	419802-6	W/O Valance (All H312)	21	1-318365	Decalcomania
	419802-7	W/O Valance (All H322)	22	1-230194	Post Liner
	419802-8	W/O Valance (All H324)	23	1-227277	Spacer
3		Raceway Covers			Notice Label
	1-419266	45"			
	1-419703	60"			
	1-419801	30"			

2-741338

TCS TRIM ASSEMBLY (HIGH HOSE)

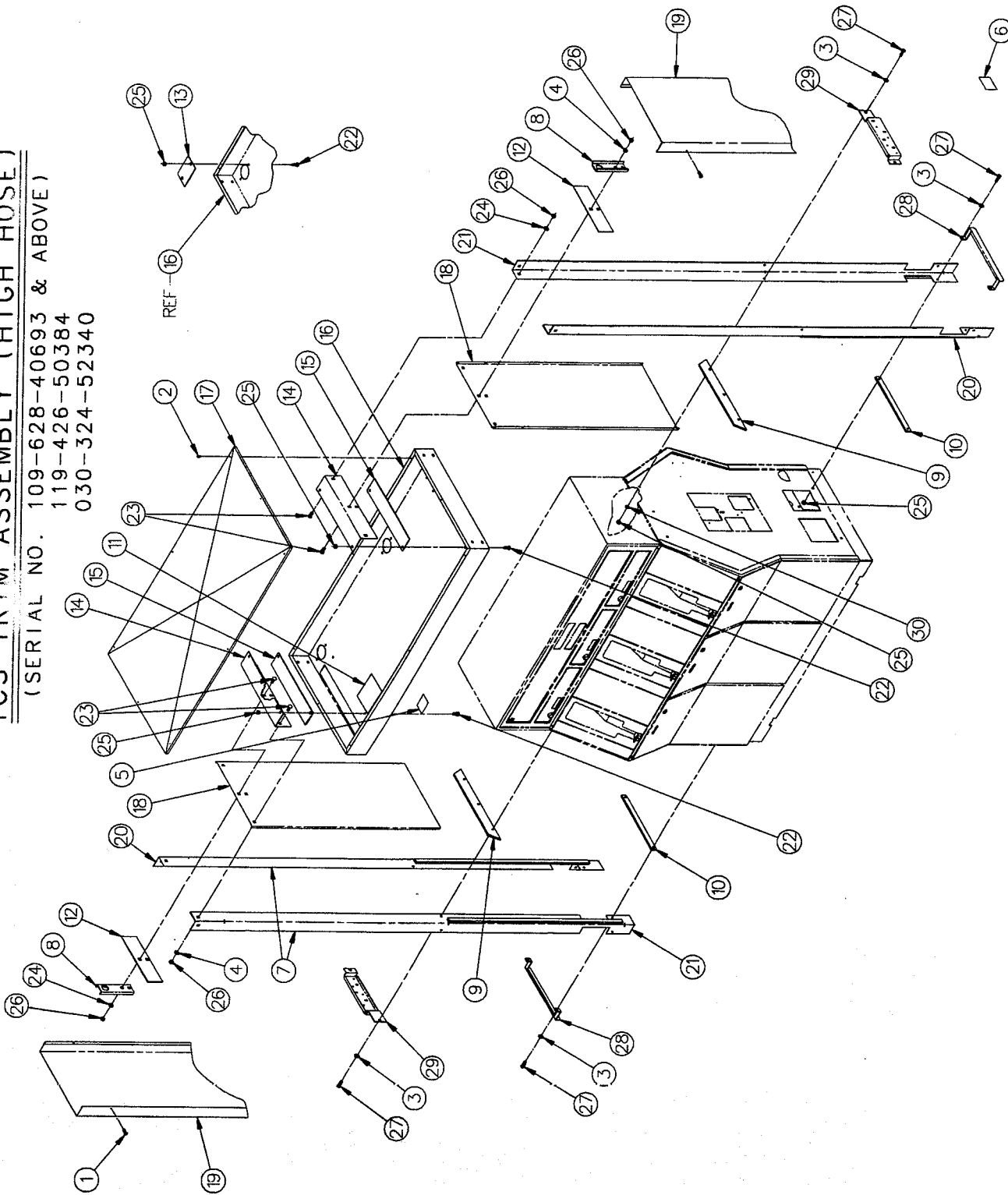
(SERIAL NO. 109-00504 TO 109-628-40692)
119-426-50383
030-324-52339



2-741409

TCS TRIM ASSEMBLY (HIGH HOSE)

(SERIAL NO. 109-628-40693 & ABOVE)
119-426-50384
030-324-52340



2-741411

1-741411
1 of 1

TCS TRIM ASSEMBLY (High Hose) - Serial No. 109-H628-40693 & Above & 119-H426-50384 & 030-H324-52340

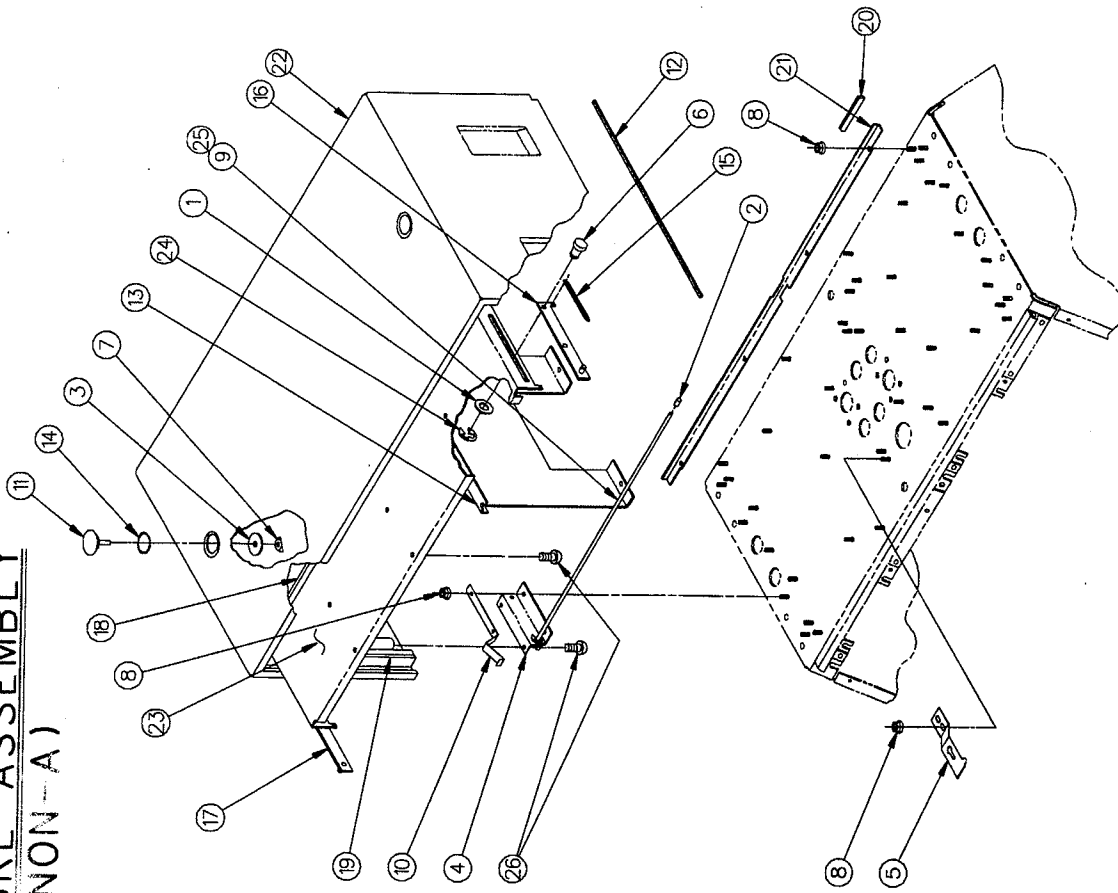
ITEM NO.	PART NO.	DESCRIPTION	ITEM NO.	PART NO.	DESCRIPTION
1	6-126964	#8-32 X 1/2 Long Truss Head Self-Tapping Screw	18	<u>Inside Post Covers</u> 1-420309	Stainless Steel
2	1-131282	Seal Screw		3-420309	Painted
3	1-131961	Special Washer	19	<u>Outside Post Covers</u> 1-420310	Stainless Steel
4	1-131995	Washer		3-420310	Painted
5	1-226268	Decalomania	20	420326-1	Post Liner Assembly (Includes Item 7)
6	1-227277	Notice Label	21	420326-2	Post Liner Assembly (Includes Item 7)
7	3-227852	Cushion	22	39-52198	5/16-18 X 1" Long Carriage Bolt
8	1-229655	Lift Bracket	23	<u>Carriage Bolt</u> 39-52198	5/16-18 X 1" Long (MaxVac Only)
9	2-229663	Barrier Strip		64-52198	3/8-16 X 1" Long (All Models Except MaxVac)
10	1-229664	Spacer	24	<u>Washer</u> 04-50611	3/8" Plate Washer (All Models Except MaxVac)
11	1-229690	Decalomania		11-50622	1/2" Plain Washer (MaxVac Only)
12	1-230194	Spacer	25	02-54752	5/16-18 M-F Flange Whiz-Lock Nut
13	1-230705	Cover Plate	26	<u>M-F Flange Whiz-Lock Nut</u> 02-54752	5/16-18 (MaxVac Only)
14	Post Support			04-54752	3/8-16 (All Models Except MaxVac)
15	1-318245	All Models Except Those Listed Below	27	36-50361	5/16-18 X 1-1/4 Long Hex Head Cap Screw
	1-421136	H413A & H426A Serial No. 068546 & Above	28	1-319346	Post Brace
		Post Spacer	29	1-319404	Tube Bracket (H413A & H426A Serial No. 068546 & Above)
16	<u>Raceway</u> 1-419118	All 45" (Except Mobil, 411 & 422)	30	08-50621	5/16" Plain Washer (H413A & H426A Serial No. 068546 & Above)
	7-419118	All & 422			
	8-419118	45" Mobil			
	1-419702	60"			
	1-419798	30"			
	1-420010	45" (Lighted)			
	1-420107	30" (Lighted)			
	1-420126	60" (Lighted)			
	1-420199	45" (17" Raceway)			
	1-420782	HL322A-R-B5-V (Lighted)			
	1-4208181	H322A-R-B5-V			
		For MaxVac Raceway, see drawing 72295			
17	<u>Raceway Covers</u> 1-419266	45" (24" Wide)			
	1-419703	60"			
	1-419801	30"			
	1-420201	45" (17" Wide)			
	1-421446	30" (MaxVac)			

2-741411

PLASTIC ENCLOSURE ASSEMBLY (FOR TCS NON-A)

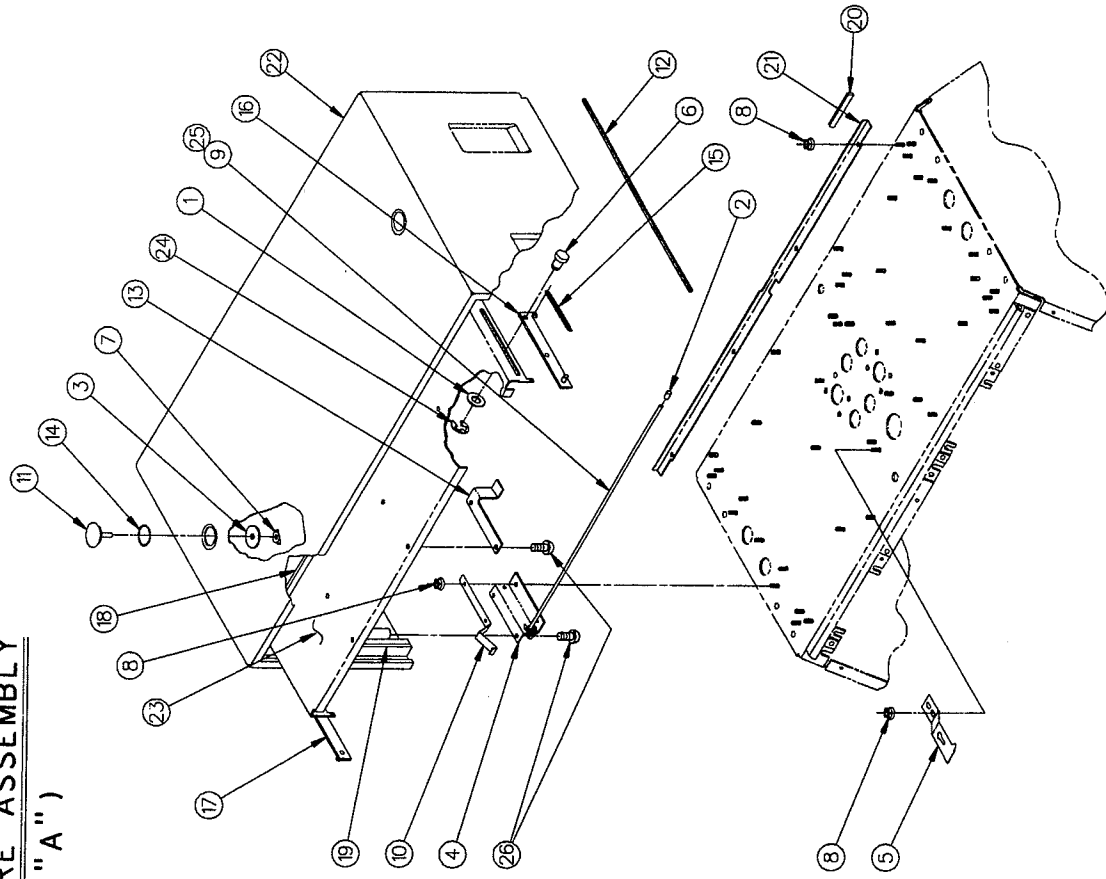
Item No. Part No. Name Of Part

1	1-126616	Washer
2	1-230807	Sleeve
3	1-131948	Washer
4	1-228372	Enclosure Mounting Bracket
5	1-228624	Latch Spring
6	1-228642	Pin
7	1-228646	Self Threading Wing Nut
8	2-228671	#10-24 Capped Washer Locknut
9	1-228674	Prop Rod
10	1-228905	Kick-out Spring
11	1-229469	Enclosure Plug
12	1-229696	Sealing Strip
13	1-418549	Enclosure Support (60" only)
14	19-37106	"O" Ring
15	2-317420	Spring
16	317620-1	Slide Assembly (Right)
17	317620-2	Slide Assembly (Left)
18	1-317638	Cushion (30")
	2-317638	Cushion (45")
	3-317638	Cushion (60")
19	4-317638	Cushion
20	1-317639	Enclosure Seal (30")
	1-317640	Enclosure Seal (45")
	2-317640	Enclosure Seal (60")
21	1-418270	Angle Bracket (45")
	1-418271	Angle Bracket (60")
	1-418272	Angle Bracket (30")
22	2-418024	Electronic Enclosure (45")
	2-418057	Electronic Enclosure (30")
	2-418058	Electronic Enclosure (60")
23	1-418255	Track (30")
	1-418556	Track (45" & 60")
24	07-52922	Truarc Retaining Ring
25	04-52532	Truarc Retaining Ring
26	83-55112	#10-14 Phillips Pan Hd. Steel (Plastite) Screw



1-741419

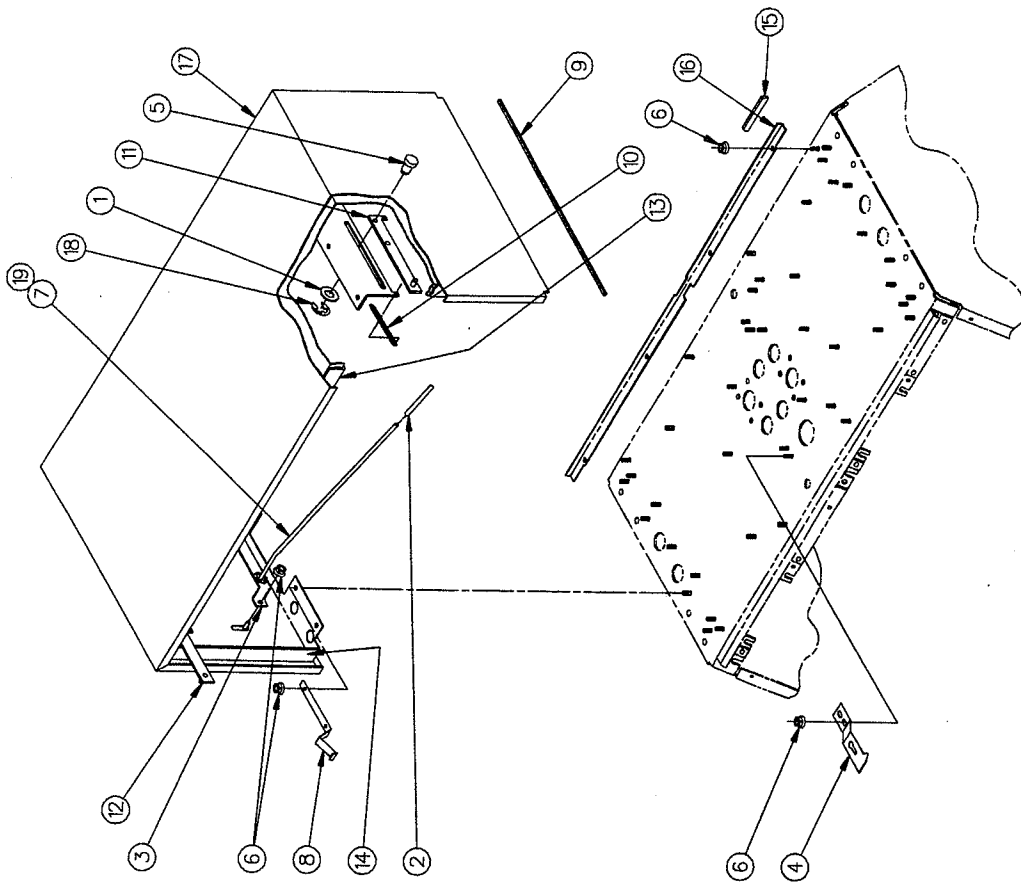
PLASTIC ENCLOSURE ASSEMBLY (FOR TCS "A")



Item No.	Part No.	Name Of Part
1	1-126616	Washer
2	1-230807	Sleeve
3	1-131948	Washer
4	1-228372	Enclosure Mounting Bracket
5	1-228624	Latch Spring
6	1-228642	Pin
7	1-228646	Self Threading Wing Nut
8	2-228671	#10-24 Capped Washer Locknut
9	1-228674	Prop Rod
10	1-228905	Kick-out Spring
11	1-229459	Enclosure Plug
12	1-229636	Sealing Strip
13	1-230182	Enclosure Support (45" & 60" only)
14	19-37106	"O" Ring
15	2-317420	Spring
16	317620-1	Slide Assembly (Right)
17	317620-2	Slide Assembly (Left)
18	1-317638	Cushion (30")
	2-317638	Cushion (45")
	3-317638	Cushion (60")
19	4-317638	Cushion
20	1-317639	Enclosure Seal (30")
	1-317640	Enclosure Seal (45")
	2-317640	Enclosure Seal (60")
21	1-418270	Angle Bracket (45")
	1-418271	Angle Bracket (60")
	1-418272	Angle Bracket (30")
22	1-419641	Electronic Enclosure (45")
	1-419652	Electronic Enclosure (30")
	1-419657	Electronic Enclosure (60")
23	419809-1	Track Weld Assy. (30")
	419810-1	Track Weld Assy. (45" & 60")
24	07-52922	Truarc Retaining Ring
25	04-52532	Truarc Retaining Ring
26	83-55112	#10-14 Phillips Pan Hd. Steel (Plastite) Screw

1-741380

STEEL ENCLOSURE ASSEMBLY



2-741382

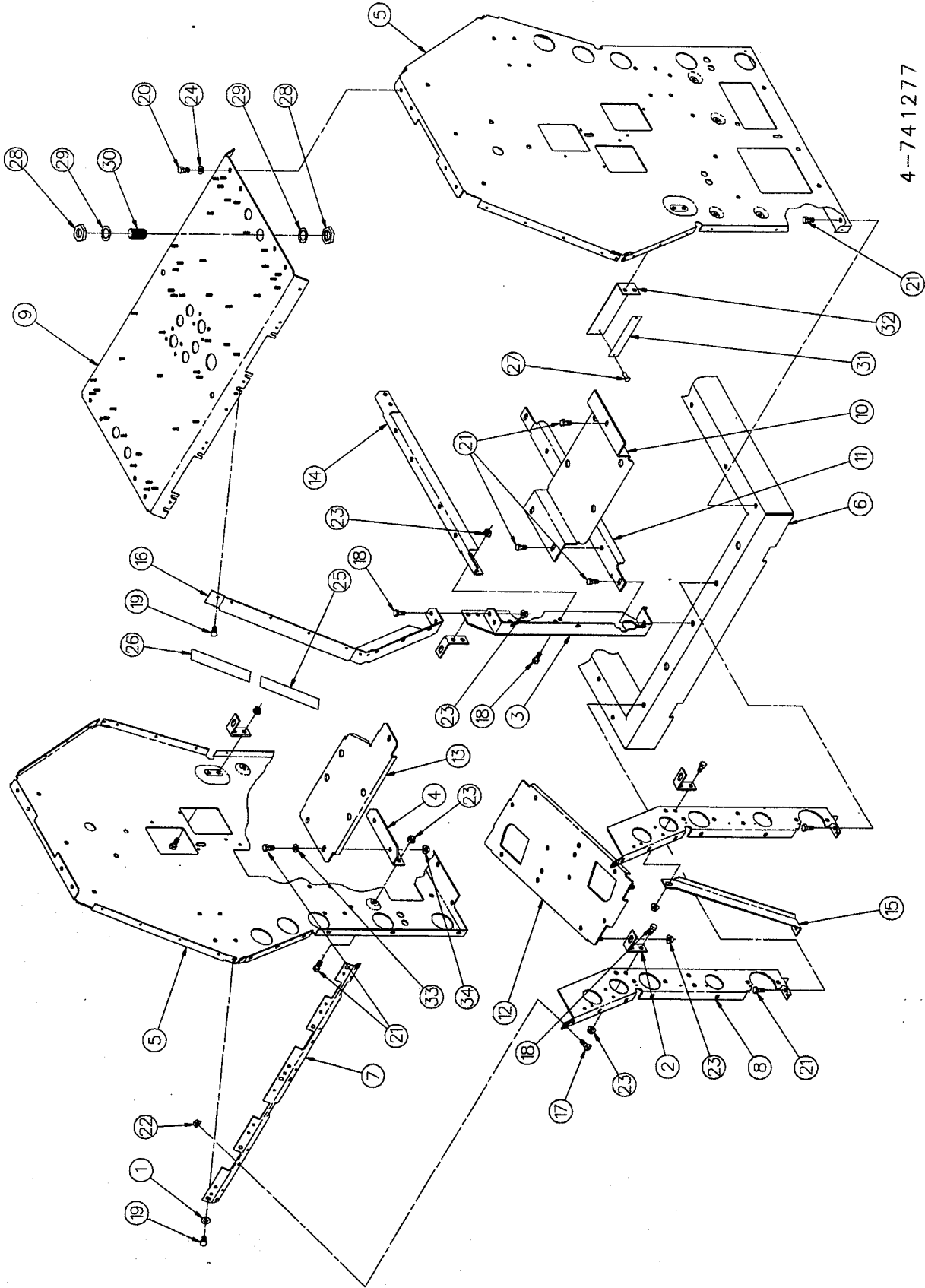
Item No.	Part No.	Name Of Part
1	1-125616	Washer
2	1-230807	Sleeve
3	1-313979	Prop Rod Bracket
4	1-223624	Latch Spring
5	1-228642	Pin
6	2-228671	#10-24 Capped Washer Locknut
7	2-228674	Prop Rod
8	1-228905	Kick-out Spring
9	1-229696	Sealing Strip
10	2-317420	Spring
11	317620-1	Slide Assembly (Right)
12	317620-2	Slide Assembly (Left)
13	1-317638	Cushion (30")
	20-317638	Cushion (45")
	3-317638	Cushion (60")
14	21-317638	Cushion
15	1-317639	Enclosure Seal (30")
	1-317640	Enclosure Seal (45")
	2-317640	Enclosure Seal (60")
16	1-418270	Angle Bracket (45")
	1-418271	Angle Bracket (60")
	1-418272	Angle Bracket (30")
17	Enclosure Assembly	
	420433-2	45" (Lighted)
	420433-3	45" (Lighted)
	420520-2	311A & 322A-R-B5
	420520-3	HL311A-R-B5 & HL322A-R-B5 (Lighted)
	420523-2	60" (Lighted)
	420523-3	60" (Lighted)
	420533-2	30" (Lighted)
	420533-3	30" (Lighted)
18	06-52482	Truarc Retaining Ring
19	04-52532	Truarc Retaining Ring



Notes

CHASSIS ASSEMBLY

(SERIAL NO 119-50390 & BELOW)
APPLIES TO 30", 45" & 60" SERIES TCS



4-741277

4-741277

1 of 1

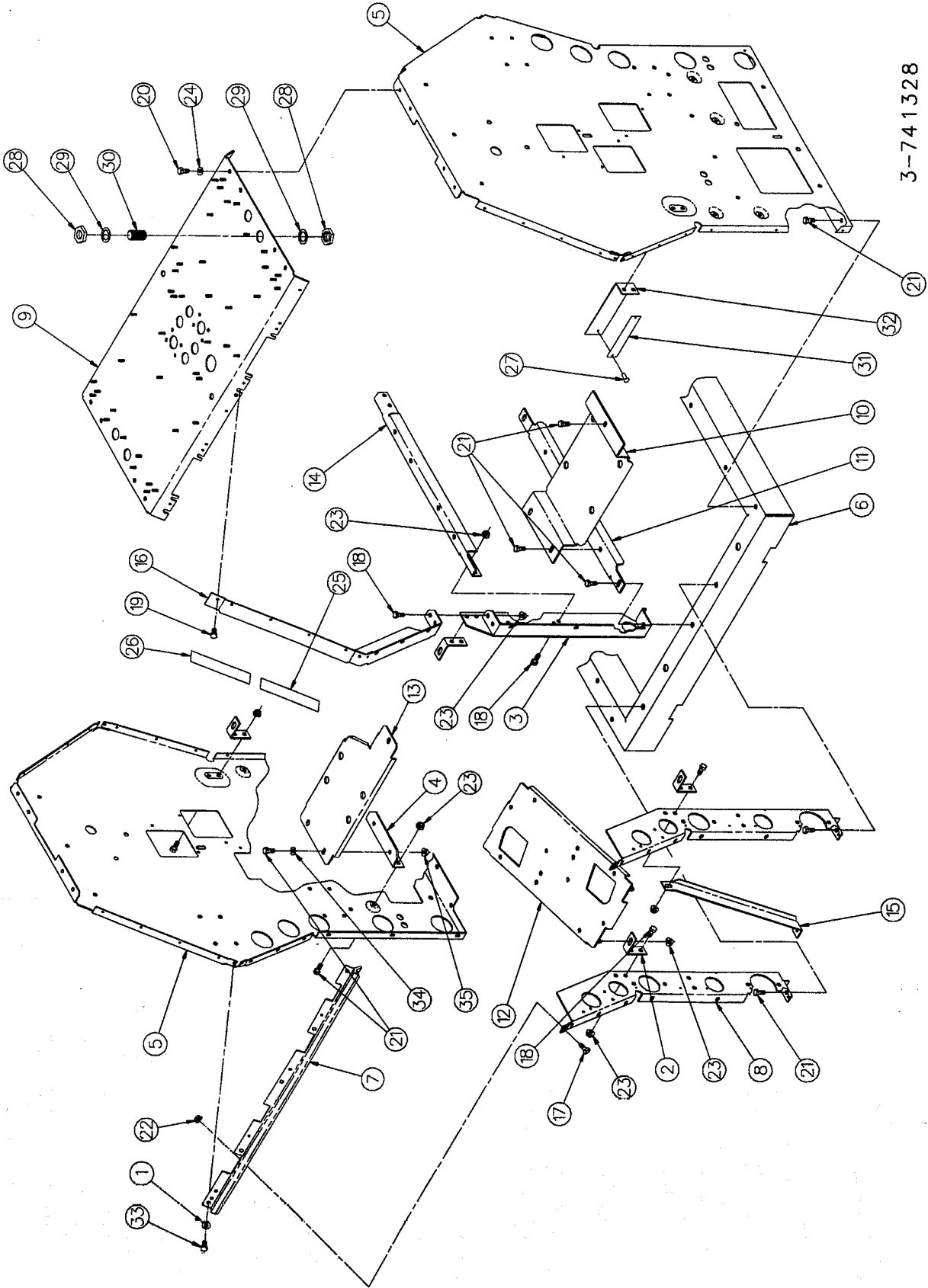
CHASSIS ASSEMBLY - Serial No. 119-50390 & Below

ITEM NO.	PART NO.	DESCRIPTION	ITEM NO.	PART NO.	DESCRIPTION	ITEM NO.	PART NO.	DESCRIPTION
1	1-120751	Washer	10	<u>Pump Support Brackets</u>		21	35-54742	5/16-18 X 5/8 Lg. M-F Hex Hd Whiz-lock Screw
2	1-228370	Meter Support Bracket	1-418168	30", 45" & 60"		22	01-54752	1/4-20 M-F Flange Whiz-Lock Nut
3	1-317405	Center Column	1-418169	60"		23	02-54752	5/16-18 M-F Flange Whiz-Lock Nut
4	1-317471	Motor Mtg. Bracket	1-418170	45"		24	1-131585	5/16 Washer
5	1-418034	End Frame				25	1-229005	Decal
6	<u>Base Weld Assemblies</u>		11	418176-1	Pump Brace Weld Assembly	26	1-228978	Decal
	418037-2	30"	12	418178-1	Meter Support Plate Weld Assy.	27	1-128281	Pop Rivet (for Serial No. 079-019082 & Above)
	418042-2	45"				28	1-130590	Conduit Nut
	418044-2	60"	13	<u>Motor Support Plate</u>		29	1-130613	Conduit Washer
7	<u>Front Bars</u>		1-418196	45"		30	1-228645	Conduit Hole Plug
	2-418038	30"	1-418197	60"		31	1-229482	Warning Plate (For Serial No. 079019082 & Above)
	2-417896	60"	1-418201	30", 45" & 60"		32	1-230443	Warning Plate Support Bracket (For Serial No. 079-019082 & Above)
	2-417897	45"				33	08-50621	5/16" Plain Washer
8	1-418117	Swivel Support	14	418204-1	Cross Brace Weld Assembly	34	1-132757	5/16-18 Hex Head Locknut (Nylon Insert)
9	<u>Barrier Plate Weld Assemblies</u>		15	1-418580	Cross Brace			
	418123-6	30" & 30"-RC	16	418611-1	Center Brace Weld Assembly			
	418123-7	45"	17	01-50361	1/4-20 X 1/2 Lg. Hex Hd Cap Screw			
	418123-8	60"	18	32-50361	5/16-18 X 5/8 Lg. Hex Hd Cap Screw			
	418123-9	45"-RC	19	10-51491	#14 X 1/2 Lg. P.K. Self-Tapping Screw			
	418123-10	60"-RC	20	11-51491	5/16 X 1/2 Lg. P.K. Self-Tapping Screw			
	419792-6	30"A & 30"A-RC						
	419792-7	45"A						
	419792-8	60"A						
	419792-9	45"A-RC						
	419792-10	60"A-RC						

4-741277

CHASSIS ASSEMBLY

(SERIAL NO 119-50391 & ABOVE)
APPLIES TO 30", 45" & 60" SERIES TCS



3-741328

2-741328

1 of 1

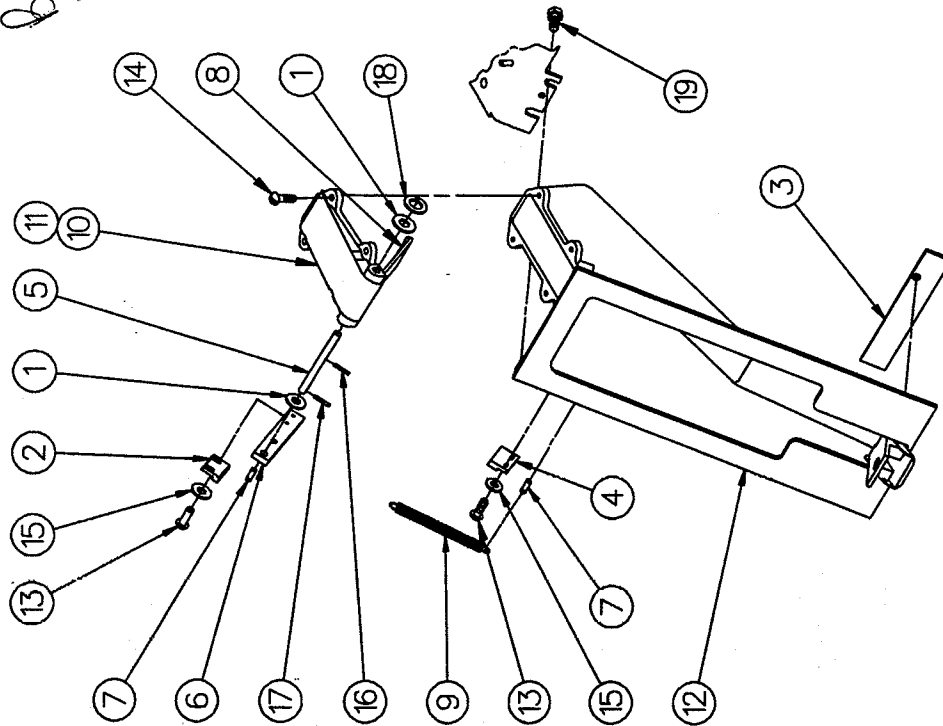
CHASSIS ASSEMBLY - Serial No. 119-50391 & Above

ITEM NO.	PART NO.	DESCRIPTION	ITEM NO.	PART NO.	DESCRIPTION	ITEM NO.	PART NO.	DESCRIPTION
1	1-120751	Washer	10	Pump Support Bracket		24	1-131585	Whiz-Lock Nut
2	1-228370	Meter Support Bracket	1-418168	30", 45" & 60"		25	1-229005	5/16 Washer
3	1-317405	Center Column	1-418169	60"		26	1-228978	Decal
4	1-317471	Motor Mtg. Bracket	1-418170	45"		27	1-128281	Pop Rivet
5	1-418034	End Frame	11	418176-1	Pump Brace Weld Assembly	28	1-130590	Conduit Nut
6	Base Weld Assemblies		12	418178-1	Meter Support Plate Weld Assy.	29	1-130613	Conduit Washer
	418037-2	30"	13	Motor Support Plates		30	1-228645	Conduit Hole Plug
	418042-2	45"	1-418196	45"		31	1-229482	Warning Plate
	418042-4	45" (Mobil)	1-418197	60"		32	1-230443	Warning Plate
	418044-2	60"	1-418201	30", 45" & 60"		33	14-51491	Support Bracket
7	Mid Strip Weld Assemblies		14	418204-1	Cross Brace Weld Assembly	34	08-50621	#14 X 5/8 Lg. P.K.
	419670-4	30"	15	1-418580	Cross Brace	35	1-132757	Self-Tapping Screw
	419670-5	45"	16	418611-1	Center Brace Weld Assembly			5/16" Plain Washer
	419670-6	60"	17	02-50361	1/4-20 X 1/2 Lg.			5/16-18 Hex Head Locknut (Nylon Insert)
	420041-2	45" (Mobil)	18	32-50361	Hex Hd Cap Screw			
8	1-418117	Swivel Support	19	10-51491	Hex Hd Cap Screw			
9	Barrier Plate Weld Assemblies		20	11-51491	#14 X 1/2 Lg. P.K.			
	420232-6	30"A & 30"A-RC	21	35-54742	Self-Tapping Screw			
	420232-7	45"A			5/16-18 X 5/8 Lg.			
	420232-8	60"A	22	01-54752	M-F Hex Hd Whiz-lock Screw			
	420232-9	45"A-RC	23	02-54752	1/4-20 M-F Flange Whiz-Lock Nut			
	420232-10	60"A-RC			5/16-18 M-F Flange			
	419982-4	45"A-RC (Mobil)			Whiz-Lock Nut			
	420338-4	30"-RC			5/16-18 M-F Flange			
	420338-5	45"-RC						
	420338-6	60"-RC						

3-741328

NOZZLE BOOT ASSEMBLY

(SERIAL NO. 119-50390 & BELOW)



1-229473 Drip Lip
1-231868 Lock Plate

Description

Washer
Actuator (Magn) (Magn)
Nozzle Boot Seal
Switch Sensor Assembly

Part No.

1-126182
1-131515
1-131947
228150-1

Item No.

1
2
3
4
5

Door Shaft

2-228349
1-228350

Actuator Arm

1-228352
1-228353

Boot Door

1-228354
1-317424

Spring

1-317420

Boot Cap

1-317450
1-317451

Boot Cap Assembly (Includes Items 1, 5, 7, 8, 10, 16, 17 & 18)

317600-1
317819-2

Nozzle Boot

2-418109
2-418110

Standard

28-50001
252-50001

Vapor Recovery

01-50761
24-51321
25-51321
05-52532
04-54742

#4-40 x 3/8" Long Round Head Machine Screw
#10-24 x 1/2" long Round Head Machine Screw
#4 Lockwasher
3/32" Dia. x 1/2" Long Groov-Pin
3/32" Dia. x 5/8" Long Groov-Pin
Truearc Retaining Ring
1/4-20 x 3/8" Long M-F Hex Head Whiz-Lock Screw

For complete Nozzle Boot Assembly order:

418237-2
418669-2

Standard

Vapor Recovery

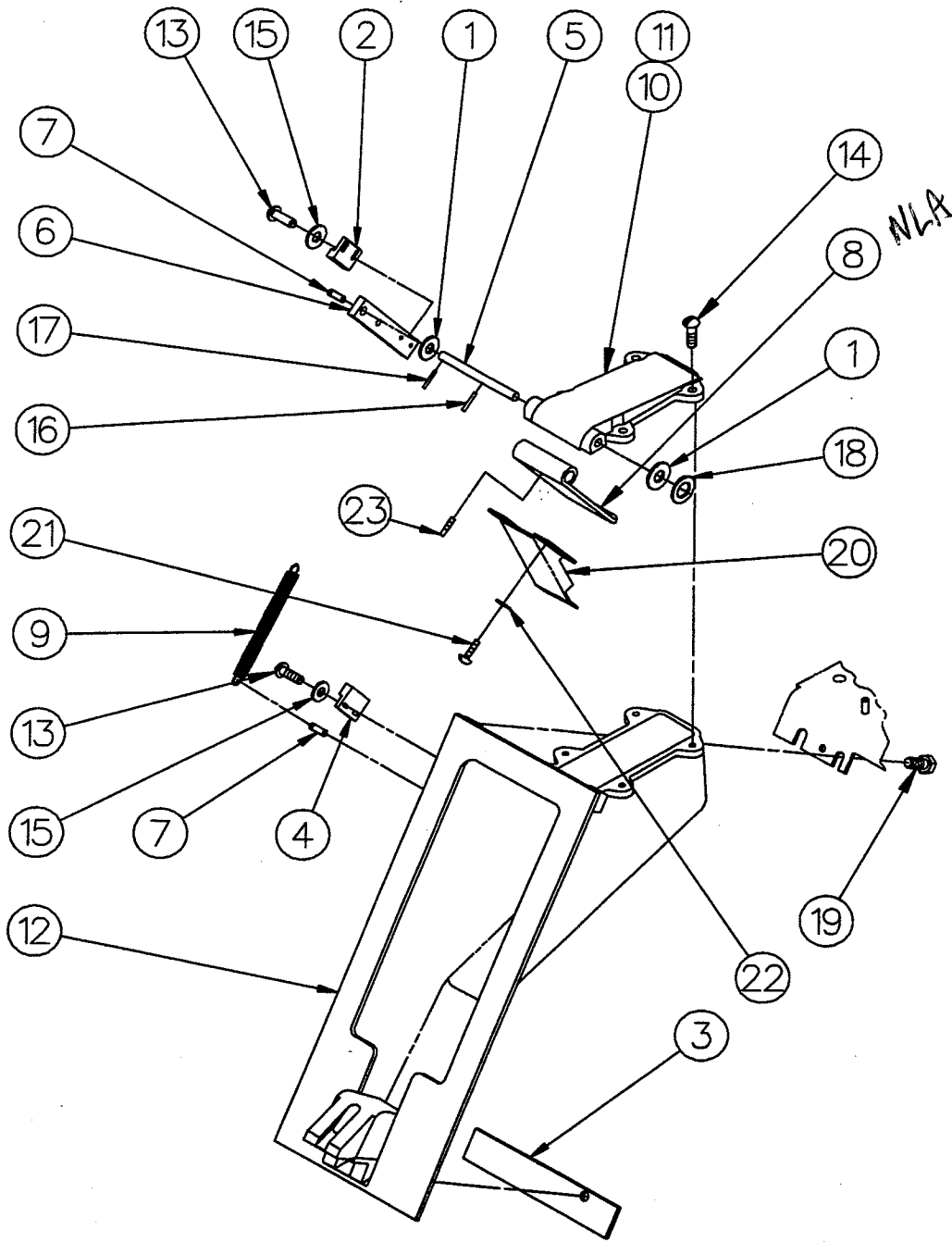


Notes

Ext. Part
8361

NOZZLE BOOT ASSEMBLY

(SERIAL NO. 119-50391 & ABOVE)



- BLOCK FOR INTERIM VAPOR & MaxVac**
- | | |
|-----------|--|
| 1-420361 | Channel Block |
| 1-118849 | Seal Wire |
| 464-50001 | 5/16-18 x 5/8" Long Round Head Machine Screw |
| 08-50761 | 5/16 Shakeproof Lockwasher |

NOZZLE BOOT ASSEMBLY (Serial No. 119-50391 & Above)

Both make up the handle switch

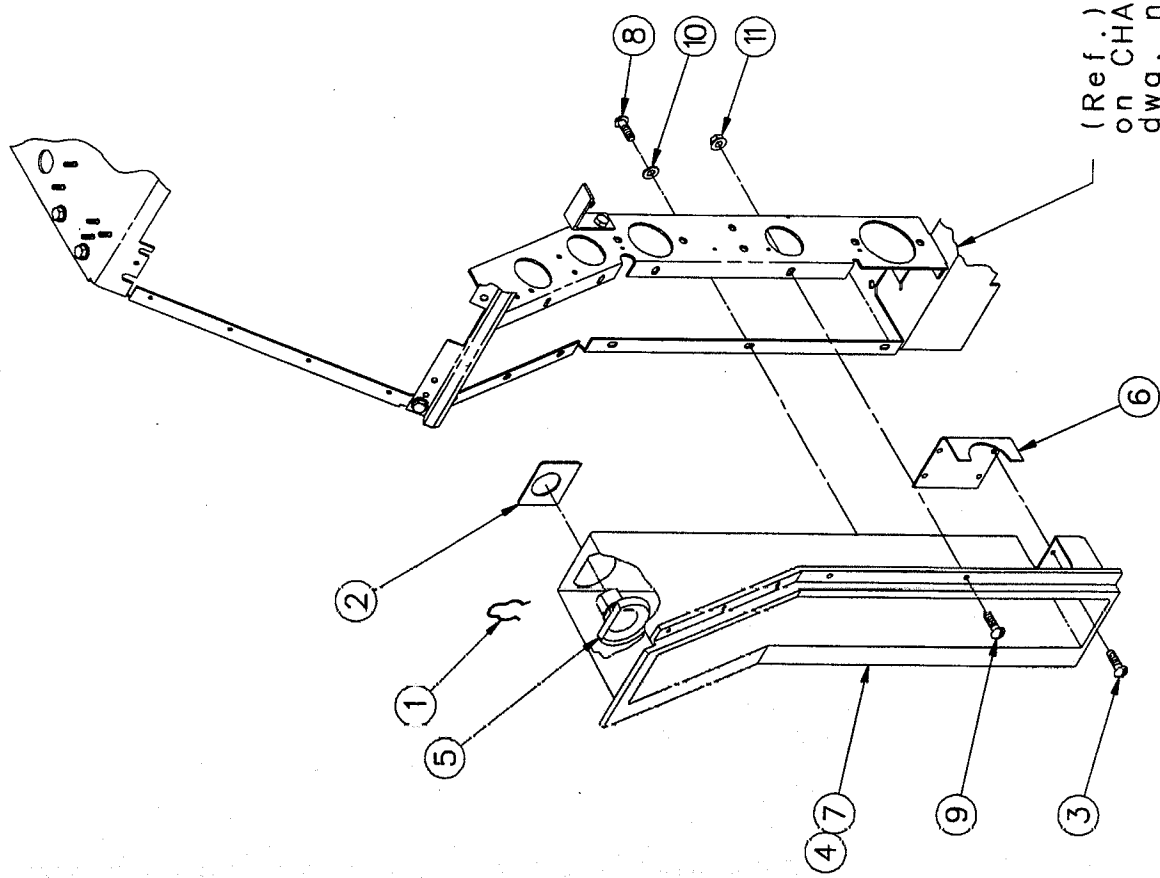
ITEM NO.	PART NO.	DESCRIPTION	ITEM NO.	PART NO.	DESCRIPTION
1	1-126182	Washer	13	28-50001	#4-40 x 5/16" Long Round Head Machine Screw
2	1-131515	Actuator (<i>magnet</i>)	14	252-50001	#10-24 x 1/2" Long Round Head Machine Screw
3	1-131947	Nozzle Boot Seal	15	01-50761	#4 Shakeproof Lockwasher
4	228150-1	Switch Sensor Assembly	16	24-52840	3/32" Dia x 1/2" Long Groove Pin
5	<u>Door Shaft</u> 2-228349	Standard, Mobil, and Amoco V1	17	25-52840	3/32 Dia x 5/8" Long Groove Pin
	1-228350	Interim Vapor & Vapor	18	<u>Truarc Retaining Ring</u> 05-52532	Standard & Amoco V1
	2-228350	Mobil Interim Vapor & Vapor		07-52922	Interim Vapor, Vapor, Mobil Interim Vapor & Vapor
6	<u>Actuator Arm</u> 1-228352	Standard, Amoco V1, Interim Vapor & Vapor	19	04-54742	1/4-20 x 3/8" Lg M-F Hex Head Whiz-Lock Screw
	2-228352	Mobil Interim Vapor & Vapor	20	1-420362	Door Extension (Interim Vapor Only)
7	1-228353	Pin	21	2-129956	#6-32 x 1/4" Long Special Screw
8	<u>Boot Door</u> 1-228354	Standard, Mobil, and Amoco V1	22	03-50761	#6 Shakeproof Lockwasher (Interim Vapor Only)
	1-317424	Vapor Recovery	23	07-50750	#4-40 x 1/2" Lg Set Screw (Mobil Interim Vapor & Vapor)
	2-317424	Interim Vapor			
	1-230727	Mobil Interim Vapor & Vapor			
9	1-317420	Spring			
10	<u>Boot Cap (Not Used On Mobil Interim Vapor & Vapor)</u> 1-317450	Standard, Amoco V1, and Mobil	<u>For complete Nozzle Boot Assembly order:</u>		
	1-317451	Interim Vapor & Vapor	232359-1		MaxVac Kit
11	<u>Boot Cap Assembly (Includes Item # 1,5,7,8,10 & 18) (Not Used on Mobil Interim Vapor & Vapor)</u> 317600-1	Standard, Mobil, and Amoco V1	418237-5		Non Vapor (Standard, Mobil & Amoco V1)
	317819-1	Vapor Recovery	418669-4		Vapor Recovery
	317819-2	Interim Vapor & MaxVac (Also Includes Item #20, 21 & 22)	418669-6		Interim Vapor
12	<u>Nozzle Boot</u> 418237-6	Standard, Amoco, & Mobil	420373-1		Mobil Interim Vapor & Vapor
	418669 5	Vapor Recovery			
	418669-11	Interim Vapor			
	1-420319	Mobil Interim Vapor & Vapor			

Subs

HOSE MAGAZINE ASSEMBLY FOR TCS LOW PROFILE

Item No.	Part No.	Name Of Part
1	1-124766	Hair Pin Cotter
2	1-131547	Spacer
3	1-131558	#8-32 X 7/16 Lg. Slotted Rd. Hd. Mach Screw
4	1-226268	Hose Warning Decal
5	1-228358	Eyelet
6	317469-4	Cover Plate Weld Assy. (Vapor Recovery)
7	317469-6	Cover Plate Weld Assy.
8	2-419146	Hose Magazine
9	250-50031	#10-24 X 7/16 Lg. Truss Hd. Mach Screw
10	256-50031	#10-24 X 3/4 Lg. Truss Hd. Mach Screw
11	23-50761	#10 Lockwasher
	03-54752	#10-24 M-F Flange Whiz-Lock Nut

Order 418515-4 for complete HOSE
MAGAZINE ASSY (items 3, 4,
6, 8 thru 11 not included)

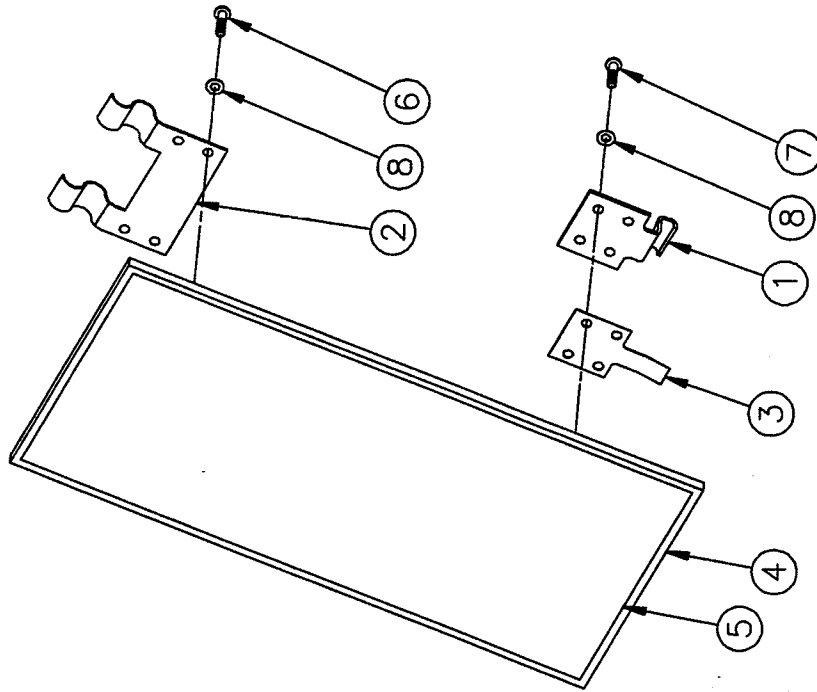


(Ref.) For parts callout
on CHASSIS ASSEMBLY see
dwg. no. 741277 & 741328

2-73783

ACCESS PANEL ASSEMBLY FOR TCS

(Serial No. 119-50390 & Below)



<u>ITEM NO.</u>	<u>PART NO.</u>	<u>DESCRIPTION</u>
1	1-228367	Latch Bracket
2	1-228368	Panel Retainer
3	1-228379	Flat Spring
4	2-418026	Plastic Removable Panel (6")
5	<u>Instruction Decal</u>	
	1-317827	"Press Cash or Credit"
	2-317827	"Press Start"
	3-317827	"Press Preset Sale"
6	244-50001	#10-24 x 1/4" Long Round Head Machine Screw
7	248-50001	#10-24 x 3/8" Long Round Head Machine Screw
8	05-50761	#10 Shakeproof Lockwasher

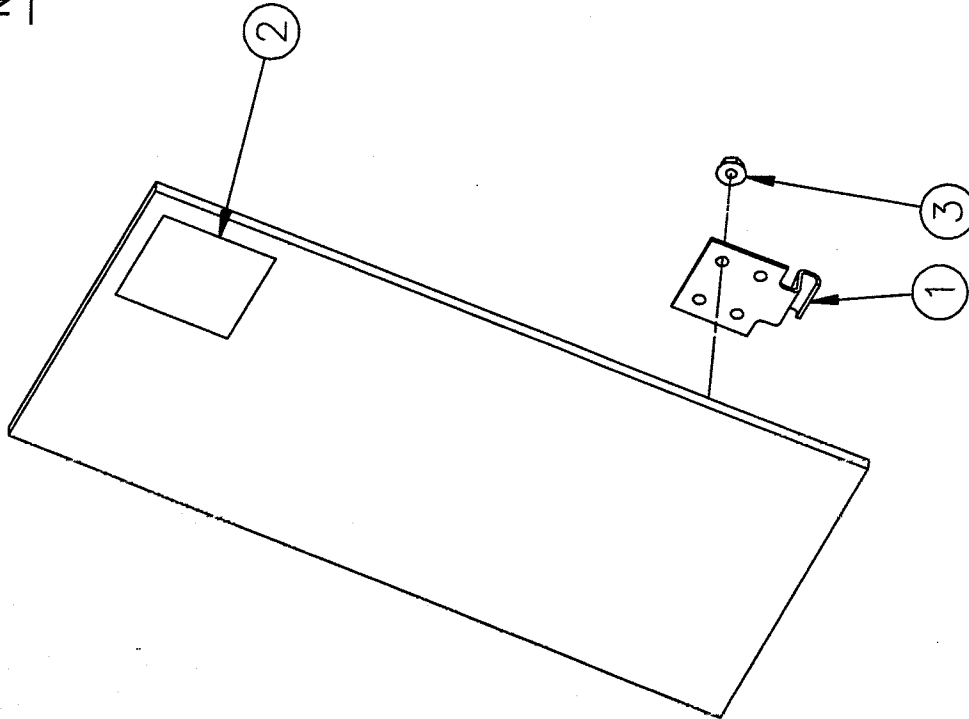
For complete Access Panel Assembly order:
418127-1

2-73786

ACCESS PANEL ASSEMBLY FOR TCS

(Serial No. 119-50391 & 031-58612)

Item No.	Part No.	Name Of Part
1	1-229602	Latch Bracket
2	Instruction Decal	"Press Cash/Credit"
	1-317827	"Press Start"
	2-317827	"Preset Sale"
	3-317827	
3	03-54752	#10-24 M-F Flange Whiz-Lock Nut



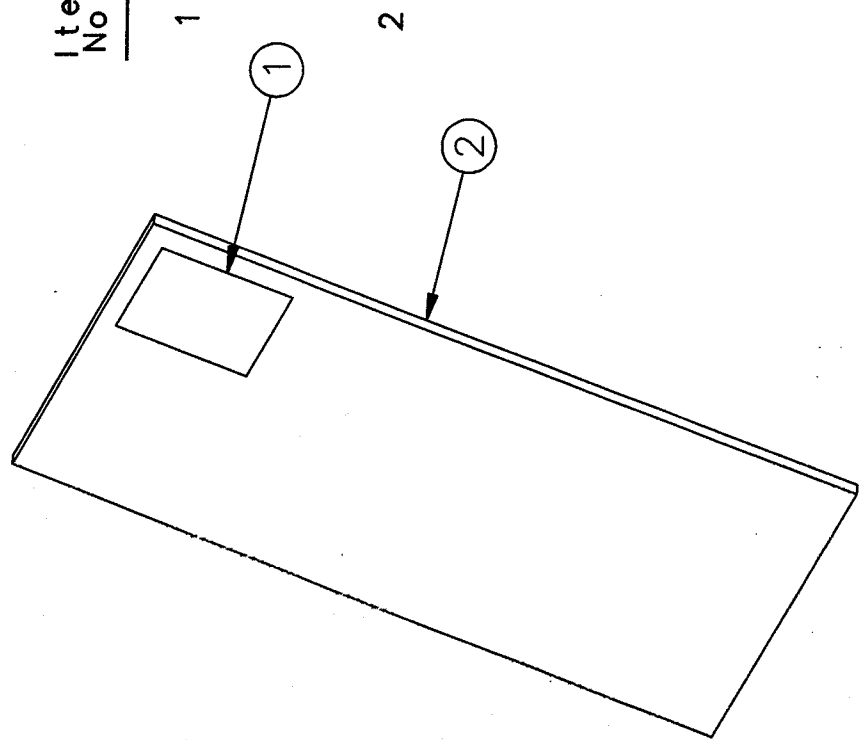
For complete Access Panel Assembly

- 4-420692 6" Right
- 6-420692 9" Center
- 8-420692 4" Right (Mobil)
- 10-420692 9" Center (Mobil)
- 12-420692 6" Right (Sight Glass)
- 14-420692 9" Center (Sight Glass)
- 18-420692 17" (322A-R-B5)
- 20-420692 32" (411A & 422A)

2-73788

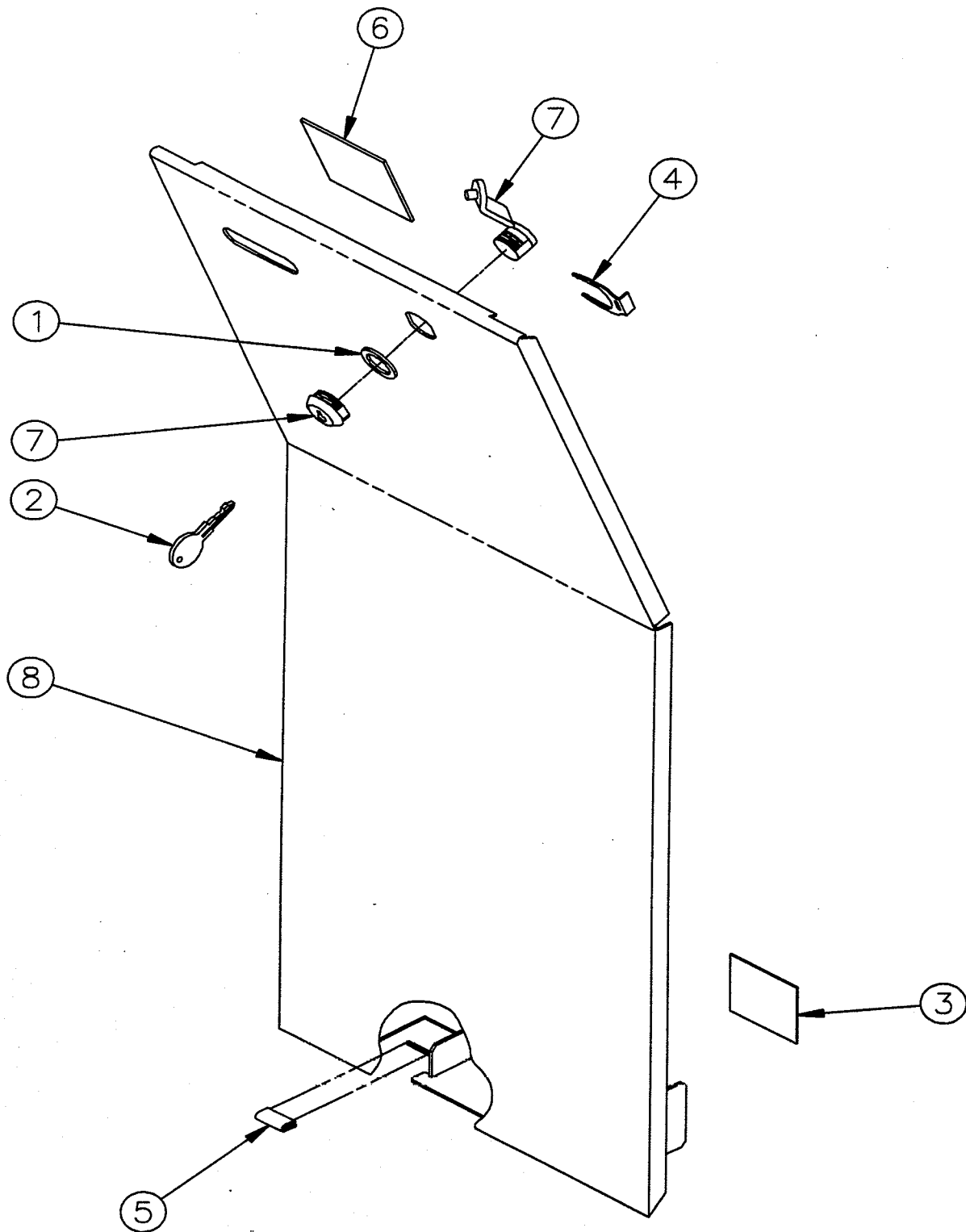
ACCESS PANEL ASSEMBLY FOR TCS

(Serial No. 031-58613 & Above)



Item No.	Part No.	Name Of Part
1	Instruction Decal	
	1-317827	"Press Cash/Credit"
	2-317827	"Press Start"
	3-317827	"Preset Sale"
2	Panel	
	4-420692	6" Right
	6-420692	9" Center
	8-420692	4" Right (Mobil)
	10-420692	9" Center (Mobil)
	12-420692	6" Right (Sight Glass)
	14-420692	9" Center (Sight Glass)
	18-420692	17" (322A-R-B5)
	20-420692	32" (411A & 422A)

DOOR ASSEMBLY FOR TCS



DOOR ASSEMBLY FOR TCS

ITEM NO.	PART NO.	DESCRIPTION
1	1-127656	Lock Gasket
2	1-131381	Key
3	1-131584	Warning Label
4	3-217160	Spring Clip
5	4-227630	Rubber Cushion
6	1-228637	Totalizer glass
7	231141-1	Lock Assembly (Includes Item #2 & #4)
8	<u>Narrow Door</u>	
	1-418160	Painted
	4-418160	Stainless Steel
	418236-9	Painted (Totalizer)
	418236-10	Stainless Steel (Totalizer)
	<u>Wide Door</u>	
	418236-11	Painted (Totalizer)
	418236-12	Stainless Steel (Totalizer)
	1-418522	Painted
	2-418522	Stainless Steel
	<u>Full Width Door</u>	
	418236-17	45" Painted (3 Totalizers)
	418236-18	45" Stainless Steel (3 Totalizers)
	418236-19	45" Painted (2 Totalizers)
	418236-20	45" Stainless Steel (2 Totalizers)
	418236-29	30" Painted (Left Totalizer)
	418236-30	30" Stainless Steel (Left Totalizer)
	418236-31	30" Painted (2 Totalizers)
	418236-32	30" Stainless Steel (2 Totalizers)
	418236-35	30" Painted (Right Totalizer)
	418236-36	30" Stainless Steel (Right Totalizer)
	1-420802	Painted
	2-420802	Stainless Steel
	For complete <u>Narrow Door Assembly</u> order:	
	418236-1	Stainless Steel (Totalizer)
	418236-3	Painted (Totalizer)
	418236-7	Painted
	418236-8	Stainless Steel
	For complete <u>Wide Door Assembly</u> order:	
	418236-2	Stainless Steel
	418236-4	Painted
	418236-5	Painted (Totalizer)
	418236-6	Stainless Steel (Totalizer)
	For complete <u>Full Width Door Assembly</u> order:	
	418236-13	45" Painted (3 Totalizers)
	418236-14	45" Stainless Steel (3 Totalizers)
	418236-15	45" Painted (2 Totalizers)
	418236-16	45" Stainless Steel (2 Totalizers)
	418236-21	45" Painted
	418236-22	45" Stainless Steel
	418236-23	30" Painted
	418236-24	30" Stainless Steel
	418236-25	30" Painted (Left Totalizer)
	418236-26	30" Stainless Steel (Right Totalizer)
	418236-27	30" Painted (2 Totalizers)
	418236-28	30" Stainless Steel (Totalizers)
	418236-33	30" Painted (Right Totalizer)
	418236-34	30" Stainless Steel (Right Totalizer)

