

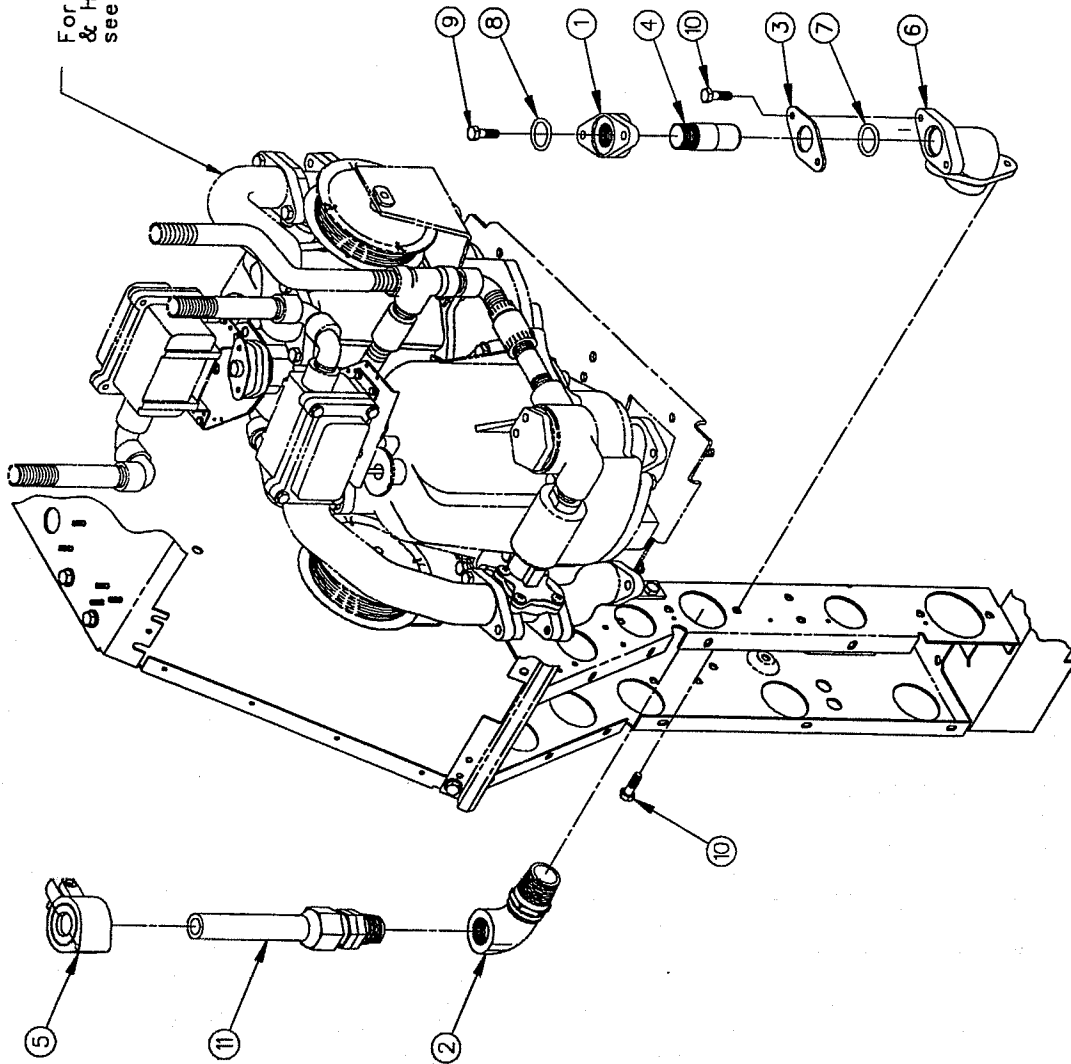
# Section Three

## Discharge Hydraulics Internal Vapor Piping

	<i>Page Number</i>
<b>Hydraulic Assembly</b>	
High Discharge .....	3-2
Low Discharge .....	3-3
<b>Discharge Hydraulics for High Hose</b>	
Serial No.109-628-40692 & Below	
119-426-50383, 030-324-52339 .....	3-4
Serial No.109-628-40693 & Above	
119-426-50384, 030-324-52340 .....	3-5
<b>Vapor Recovery</b>	
Low Discharge for Suction System .....	3-6
Low Discharge for Remote Control .....	3-7
Vapor Recovery for High Hose .....	3-8, 3-9
Vapor Recovery for High Hose (most recent version) .....	3-10
<b>3 - 5 Product Variable Blender</b>	
H322A-R-B5 Discharge Hydraulics .....	3-12, 3-13
VH322A-R-B5 Discharge & Vapor Recovery .....	3-14, 3-15
H322A-R-B5 Vapor Recovery .....	3-16, 3-17
<b>Vapor Recovery System with Blackmer Pump</b>	
Models H413A & H426A-R-V1 .....	3-18, 3-19
<b>17" High Hose</b>	
Vapor Recovery for NH413A & NH426A .....	3-20
Discharge Hydraulics	
Serial No. 109-628-40692 & Below	
119-426-50383, 030-324-52339 .....	3-21
Serial No. 109-628-40693 & Above	
119-426-50384, 030-324-52340 .....	3-22
<b>H411/H422A-R-V</b>	
Discharge Hydraulics .....	3-23
Vapor Recovery - High Discharge .....	3-24
Vapor Recovery - Low Discharge .....	3-25
<b>MaxVac Low Discharge System</b>	
30" TCSA .....	3-26, 3-27
45" & 60" TCSA .....	3-28, 3-29
<b>H413A &amp; H426A Discharge Assembly</b>	
Serial No. 068546 & Above .....	3-30, 3-31
<b>Discharge Assembly (MaxVac)</b>	
H311A, H312A, H322A, & H324A .....	3-32, 3-33
H311A-RB3/5 & H322A-RB3/5 .....	3-34, 3-35
H411A & H422A .....	3-36, 3-37
H413A & H426A	
Serial No. 068545 & Below .....	3-38, 3-39
Serial No. 068546 & Above .....	3-40, 3-41
H614A & H628A .....	3-42, 3-43
<b>Outlet Adapter Assembly .....</b>	<b>3-44</b>
<b>Vapor Return Line Assembly .....</b>	<b>3-46, 3-47</b>
<b>Check Valve Assembly .....</b>	<b>3-48, 3-49</b>
<b>MaxVac Discharge System .....</b>	<b>3-50, 3-51</b>

T  
C  
S  
A  
  
D  
I  
S  
P  
E  
N  
S  
E  
R

# TCS HIGH DISCHARGE HYDRAULIC ASSEMBLY



For parts callout of METER & HYDRAULICS ASSEMBLY see dwg. no. 741377

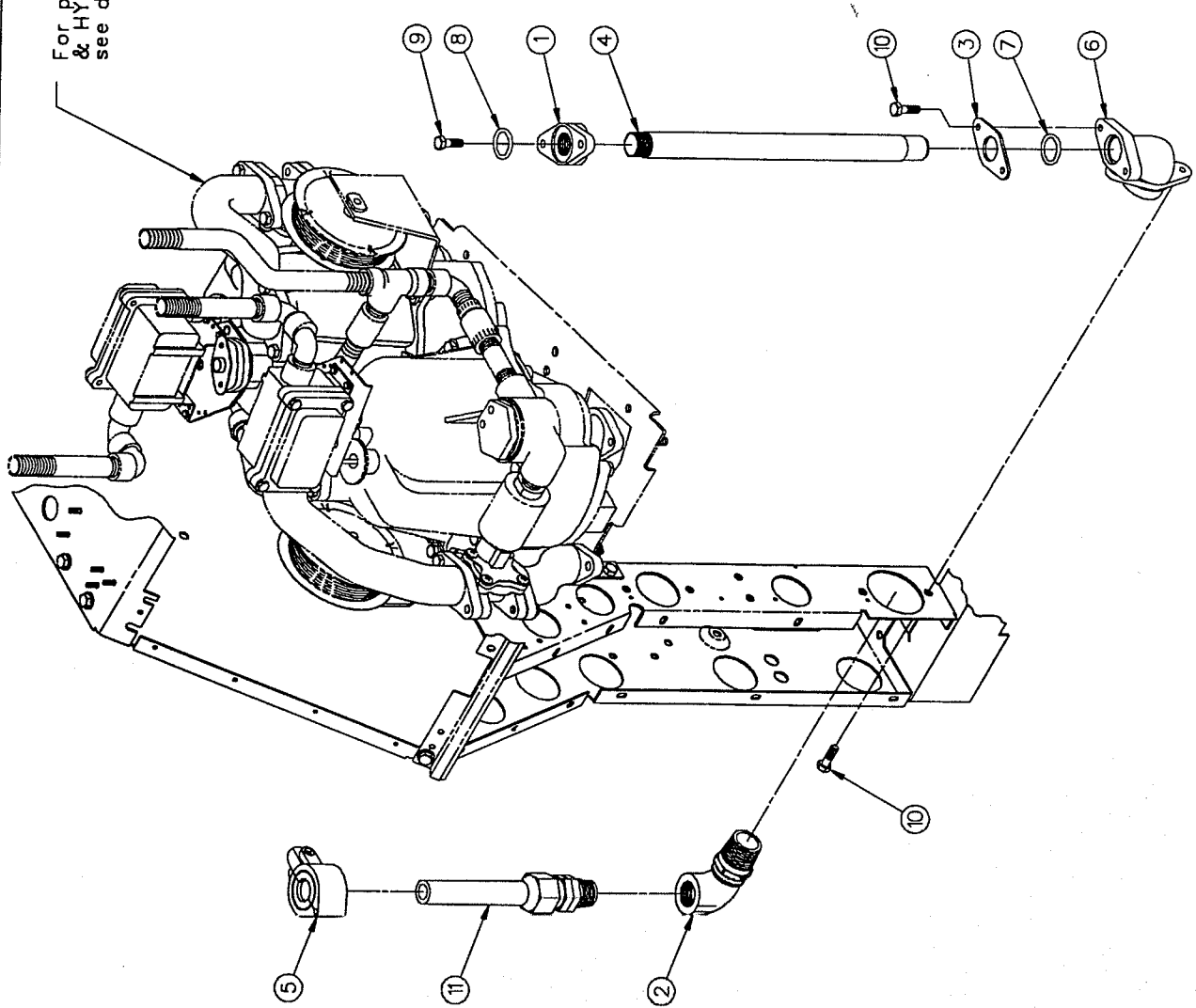
Item No.	Part No.	Name Of Part
1	3-220923	Meter Flange
2	226064-1	Hose Swivel Assembly
3	1-227586	Retainer Cap
4	1-227588	Slip Joint
5	1-228630	Hose Clamp
6	1-317415	Discharge Connector
7	14-318940	"0" Ring
8	17-318940	"0" Ring
9	35-50361	5/16-18 X 1" Lg. Hex Hd. Cap Screw
10	35-54742	5/16-18 X 5/8 Lg. M-F Hex Hd. Whiz Lock Screw
11	002-547610-00	5/8 I.D. Hose (10'-0" Lg.)

In ordering Nozzle (Specify Leaded, Unleaded & Color Of Insulator) (Nozzle Not Shown)  
 416568 (OPW 11-A Series)  
 417521 (OPW 11-B Series)  
 417505 (Erco-Wheaton A2001 Series)  
 417553 (Erco-Wheaton A2000 Series)

1-741378

# TCS LOW DISCHARGE HYDRAULIC ASSEMBLY

For parts callout of METER & HYDRAULICS ASSEMBLY see dwg. no. 741377



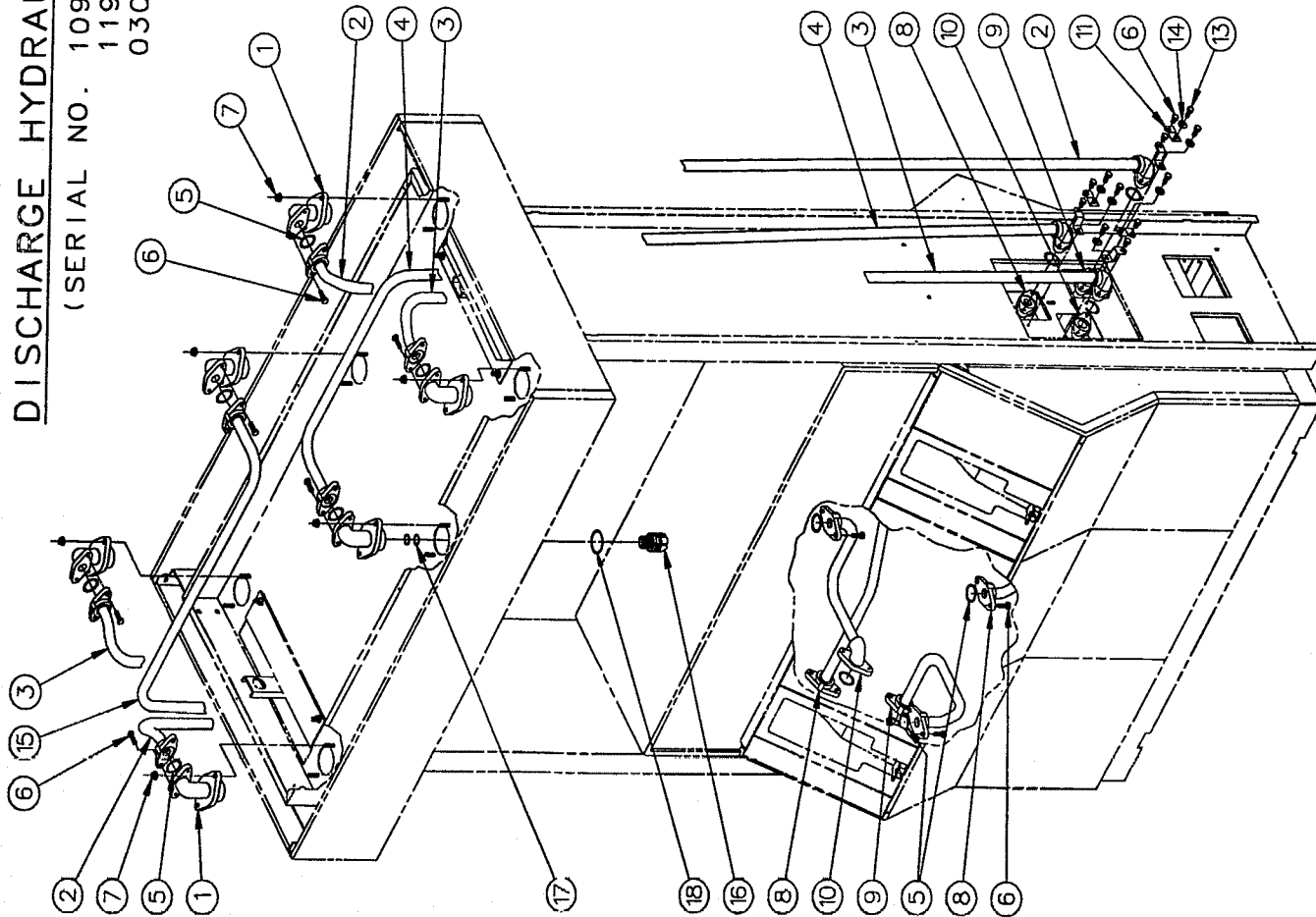
Item No.	Part No.	Name Of Part
1	3-220923	Meter Flange
2	226064-1	Hose Swivel Assembly
3	1-227586	Retainer Cap
4	2-227588	Slip Joint
5	1-228630	Hose Clamp
6	1-317415	Discharge Connector
7	14-318940	"O" Ring
8	17-318940	"O" Ring
9	35-50361	5/16-18 X 1" Lg. Hex Hd. Cap Screw
10	35-54742	5/16-18 X 5/8 Lg. M-F Hex Hd. Whiz Lock Screw
11	002-547610-00	5/8 I.D. Hose (10'-0" Lg.)

In ordering Nozzle (Specify Leaded, Unleaded & Color Of Insulator) (Nozzle Not Shown)  
 416568 (OPW 11-A Series)  
 417521 (OPW 11-B Series)  
 417505 (Emco-Wheaton A2001 Series)  
 417553 (Emco-Wheaton A2000 Series)

1-741379

# DISCHARGE HYDRAULICS FOR HIGH HOSE

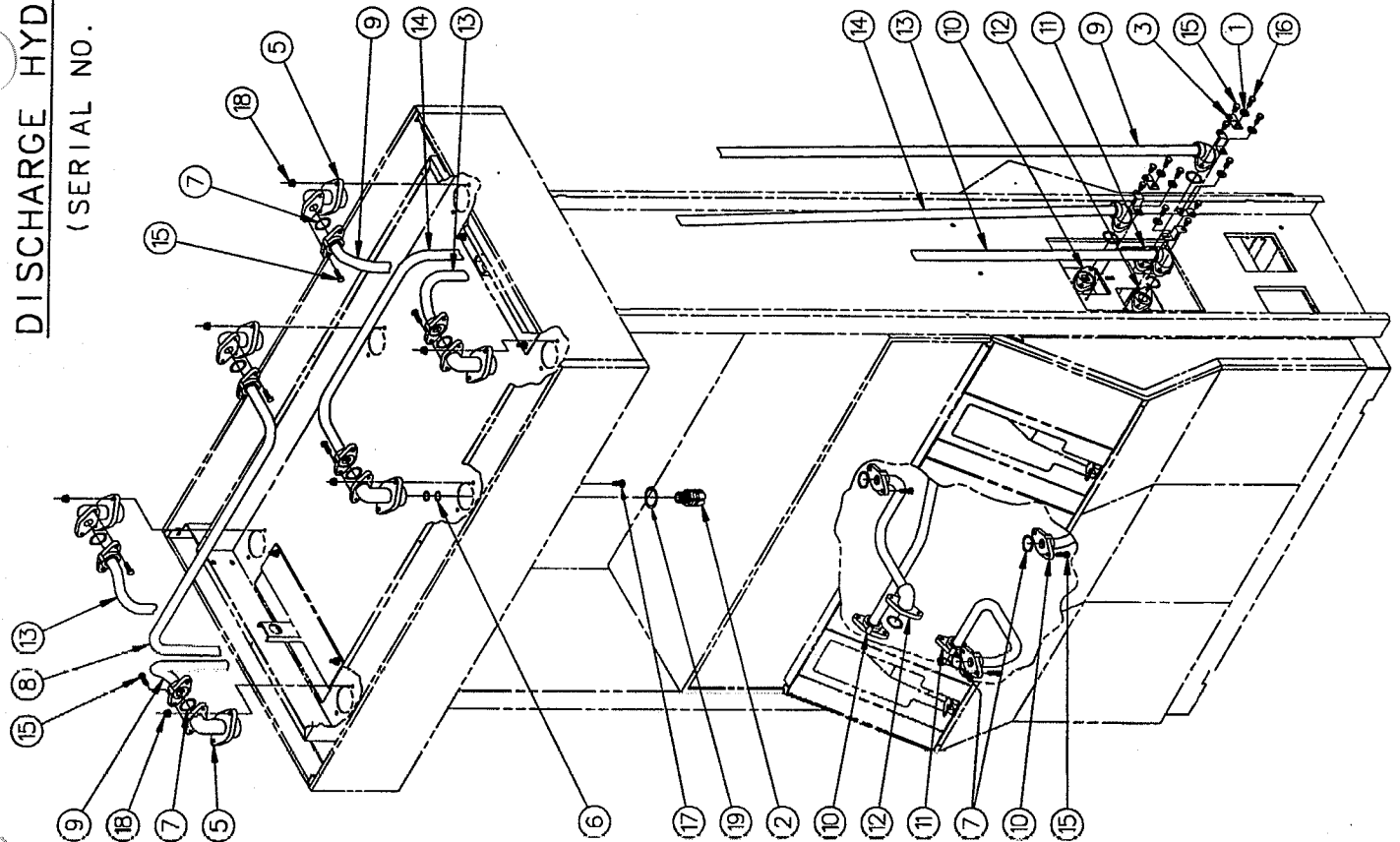
( SERIAL NO. 109-628-40692 & BELOW)  
 119-426-50383  
 030-324-52339



ITEM NO.	PART NO.	DESCRIPTION
1	Outlet Adapter 2-318241 2-318229	Standard Vapor Recovery
2	419605-1	Outlet Tube Assembly
3	419609-1	Outlet Tube Assembly
4	Outlet Tube Assembly 419610-1 45" 419717-1 60"	
5	17-318940	"O" Ring
6	35-50361	5/16-18 x 1" Long Hex Head Cap Screw
7	02-54752	5/16-18 M-F Flange Whirz-Lock Nut
8	Discharge Tube Assembly 419606-1 45" (Right) 419716-1 60" (Right)	
9	419607-1	Discharge Tube Assembly (Left Side)
10	419608-1	Discharge Tube Assembly (Center)
11	1-229672	Support Bracket
12	Hose (Not Shown) 3-317828 001-547610-06 5/8" I.D. x 10'-6" Long	Co-Axial (Vapor Recovery)
13	10-51491	#14 x 1/2" Long P.K. Self Tapping Screw
14	1-120751	Washer
15	Outlet Tube Assembly 419604-1 45" 419610-1 60"	
16	1-227373	5/8" x 45° Hose Swivel
17	11-318940	"O" Ring (Vapor Recovery & Interim Vapor)
18	27-318940	"O" Ring (Interim Vapor Only)

# DISCHARGE HYDRAULICS FOR HIGH HOSE

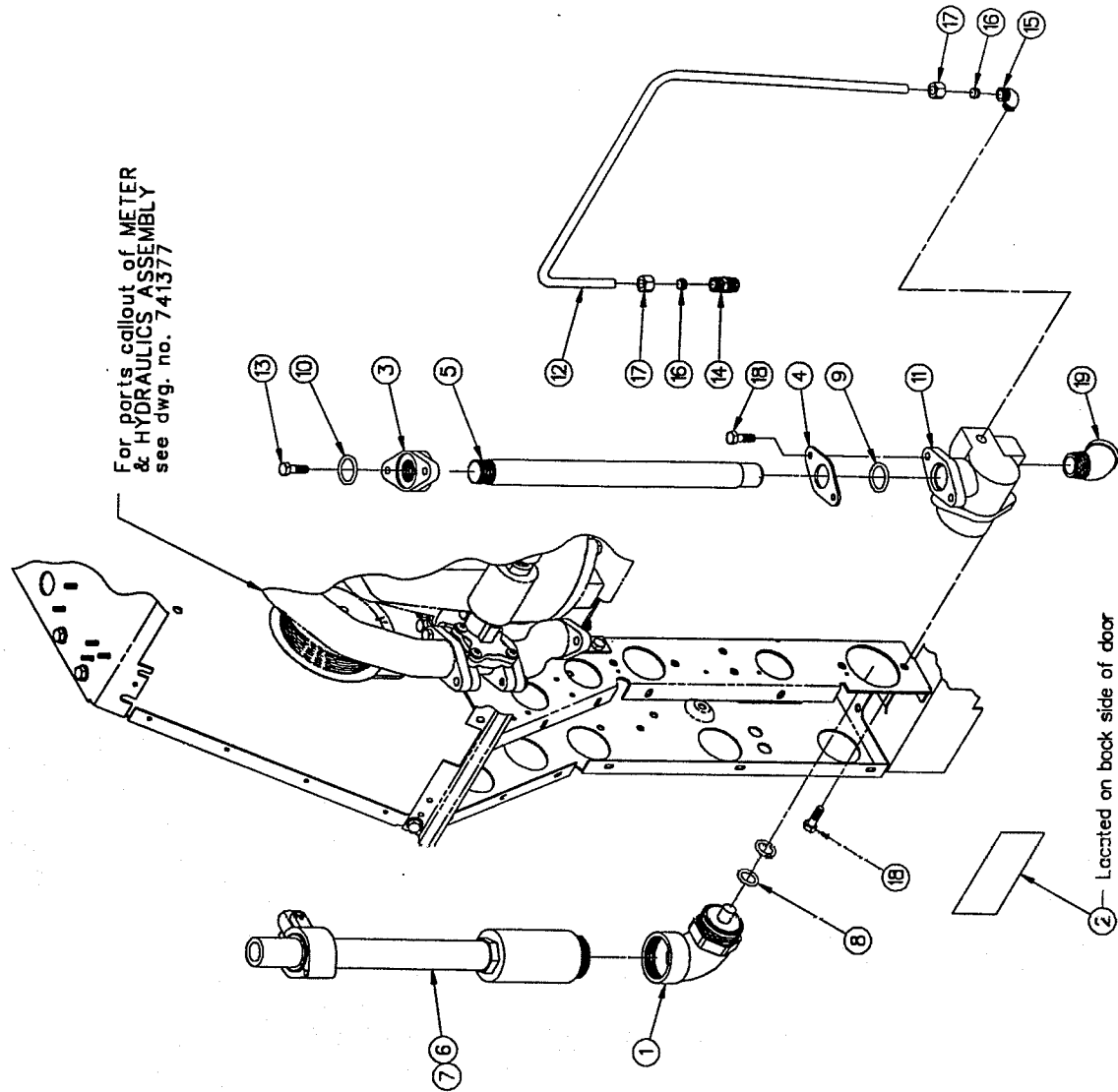
(SERIAL NO. 109-628-40693 & ABOVE)  
 119-426-50384  
 030-324-52340



ITEM NO.	PART NO.	DESCRIPTION
1	1-120751	Washer
2	1-227373	5/8" x 45° Hose Swivel
3	1-229672	Support Bracket
4	<u>Hose (Not Shown)</u>	
	3-317828	Co-Axial (Vapor Recovery)
	001-547610-06	5/8" I.D. x 10'-6" Long
5	<u>Outlet Adapter</u>	
	2-318229	Vapor Recovery Standard
	2-318241	Vapor Recovery Healy
6	11-318940	"O" Ring (Vapor Recovery & Interim Vapor)
7	17-318940	"O" Ring
8	<u>Outlet Tube Assembly</u>	
	419604-1	45"
	419610-1	60"
9	419605-1	Outlet Tube Assembly
10	<u>Discharge Tube Assembly</u>	
	419606-1	45" (Right)
	419716-1	60" (Right)
11	419607-1	Discharge Tube Assembly (Left Side)
12	419608-1	Discharge Tube Assembly (Center)
13	419609-1	Outlet Tube Assembly
14	<u>Outlet Tube Assembly</u>	
	419610-1	45"
	419717-1	60"
15	35-50361	5/16-18 x 1" Long Hex Head Cap Screw
16	10-51491	#14 x 1/2" Long P.K. Self Tapping Screw
17	39-52198	5/16-18 x 1" Long Carriage Bolt
18	02-54752	5/16-18 M-F Flange Whiz-Lock Nut
19	27-318940	"O" Ring (Interim Vapor Only)

# LOW DISCHARGE VAPOR RECOVERY FOR TCS SUCTION SYSTEM

Item No.	Part No.	Name Of Part
1	90° Coax Swivel	
	1-228347	OPW
	1-228363	Emco-Wheaton
2	1-131584	Warning Label
3	3-220923	Meter Flange
4	1-227586	Retainer Cop
5	2-227588	Slip Joint
6	Co-Axial Hose & Clamp	
	229024-1	Corrugated
	229024-2	Smooth
7	Vapor Nozzle	
	229025-1	Unleaded (Emco-Wheaton)
	229025-2	Unleaded (OPW)
	229025-3	Leaded (Emco-Wheaton)
	229025-4	Leaded (OPW)
8	11-318940	"O" Ring
9	14-318940	"O" Ring
10	17-318940	"O" Ring
11	Outlet Adaptor	
	1-418059	used on all models
	2-418059	used on 322, 324, 426 & 628
12	Vent Tube	
	1-418681	used on all models
	1-229017	used on 312,413 & 614
13	35-50361	5/16-18 X 1" Long Hex Head Cap Screw
14	05-52010	Compression Connector
15	05-52020	Compression Elbow
16	05-52040	Compression Sleeve
17	14-52040	Compression Nut
18	35-54742	5/16-18 X 5/8" Long M-F Hex Head Whiz Lock Screw
19	05-51692	3/4" 45° Street Elbow

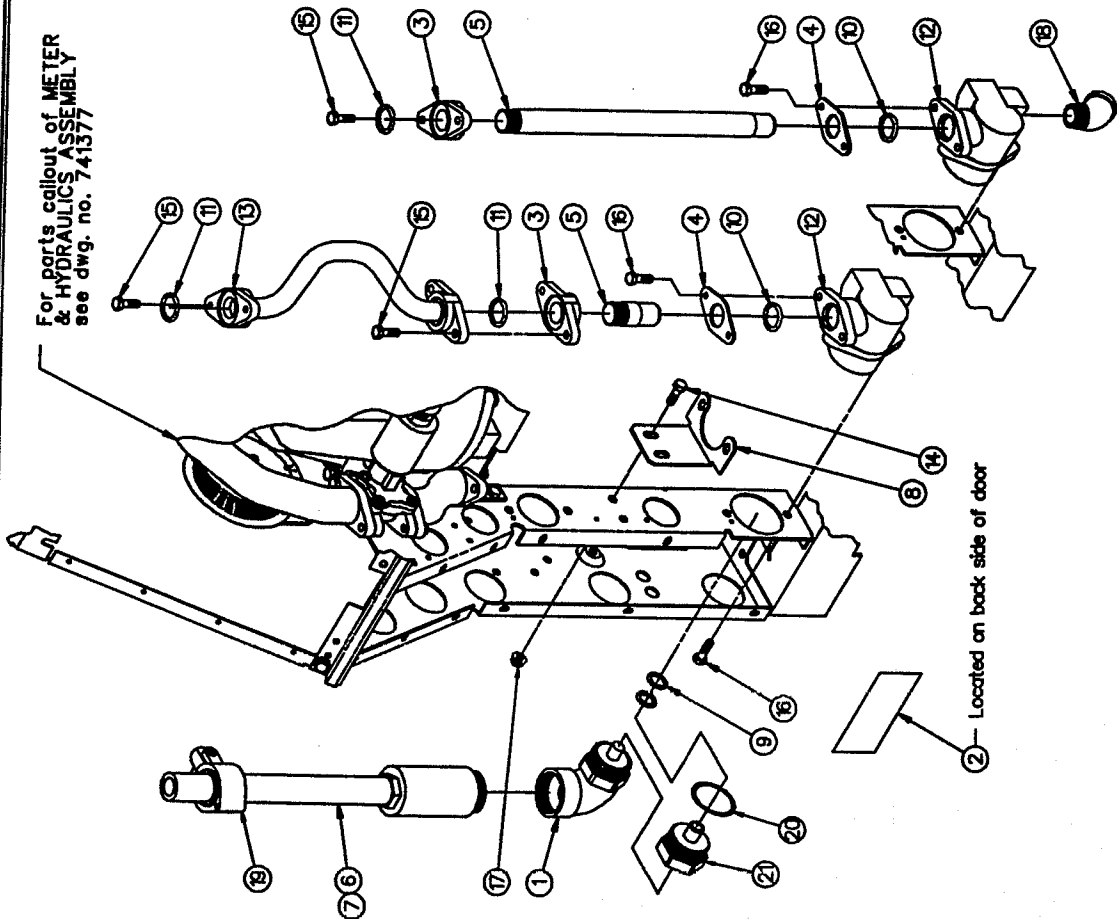


② Located on back side of door

3-741391

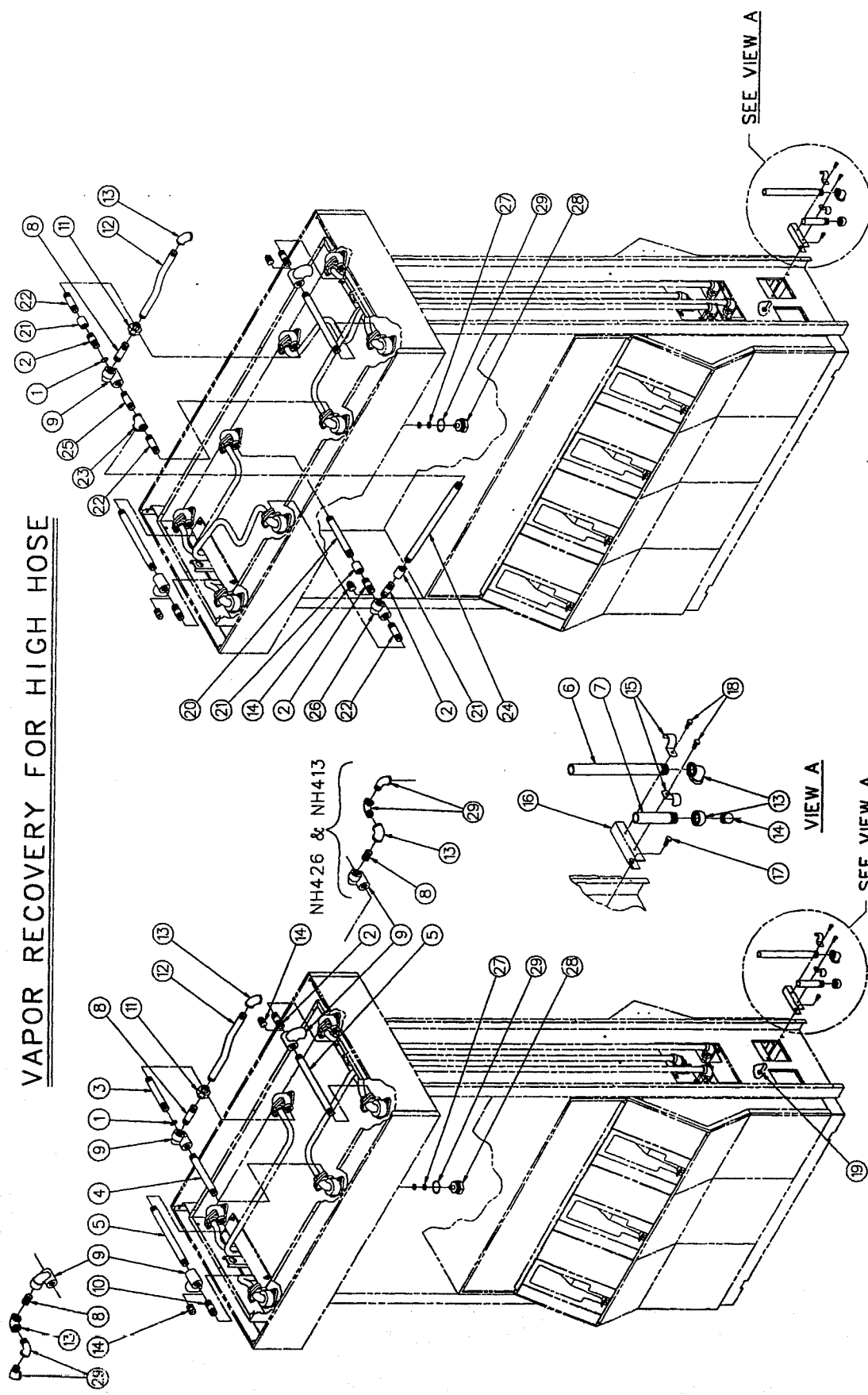
# LOW DISCHARGE VAPOR RECOVERY FOR TCS REMOTE CONTROL SYSTEM

For parts callout of METER & HYDRAULICS ASSEMBLY see dwg. no. 741377



Item No.	Part No.	Name Of Part
1	1-228347	90° Coax Swivel (OPW)
	1-228363	90° Coax Swivel (Emco-Wheaton)
	1-230979	90° Swivel (Interim Vapor Only)
2	1-131584	Warning Label
3	3-220923	Meter Flange
4	1-227586	Retainer Cap
5	1-227588	Slip Joint (2 3/4" lg.)
6	2-227588	Slip Joint (14 3/4" lg.)
7	229024-1	Co-Axial Hose & Clamp (Corrugated)
	229024-2	Co-Axial Hose & Clamp (Smooth)
	229025-1	Unleaded Vapor Nozzle (Emco-Wheaton)
	229025-2	Unleaded Vapor Nozzle (OPW)
	229025-3	Leaded Vapor Nozzle (Emco-Wheaton)
	229025-4	Leaded Vapor Nozzle (OPW)
8	1-317633	Outlet Tube Bracket
9	11-318940	"O" Ring
10	14-318940	"O" Ring
11	17-318940	"O" Ring
12	13-313235	Gasket (Interim Vapor)
	1-418059	Outlet Adapter
13	318969-1	Outlet Adapter Assembly (IV & V-B5)
	418218-1	Discharge Tube Assembly
	420745-1	Discharge Tube Assembly (322A-R-IV-B5 & V-B5)
14	32-50361	5/16-18 X 5/8 Lg. Hex Hd. Cap Screw
15	38-54742	5/16-18 X 1" Lg. Hex Hd. Cap Screw
16	35-54742	5/16-18 X 5/8" Lg. M-F Hex Hd. Whiz Lock Screw
17	02-54752	5/16-18 M-F Flange Whiz-Lock Nut
18	05-51692	3/4" 45° Street Elbow
19	1-228630	Hose Clamp
20	27-318940	"O" Ring (Interim Vapor Only)
21	1-227838	Non-Swivel Adaptor (Interim Vapor Only)

2-741392



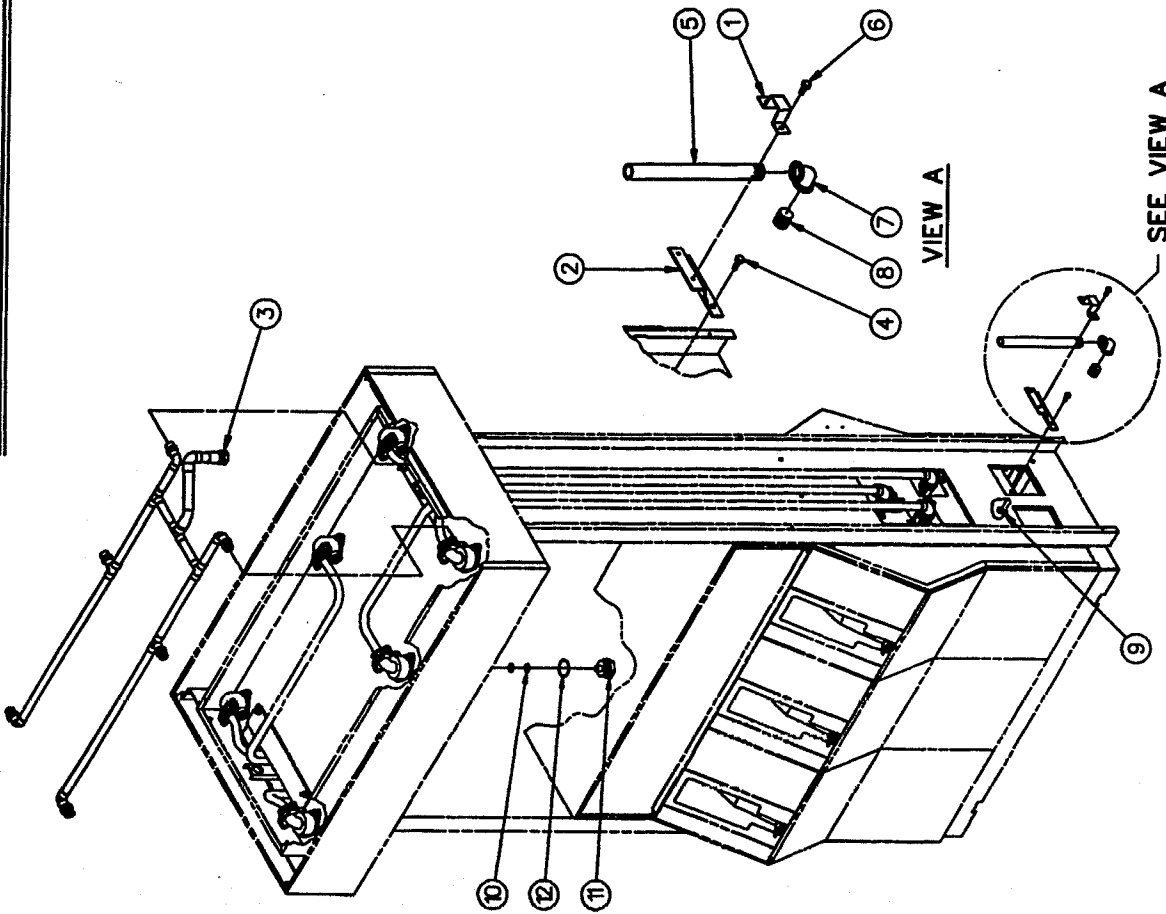
3-741314

(60" HIGH HOSE)

(30" & 45" HIGH HOSE)



# VAPOR RECOVERY FOR HIGH HOSE



Item No.	Part No.	Name Of Part
1	1-230887	Pipe Clamp (311, 312, 413 & 614)
2	1-319053	Pipe Clamp (322, 324, 426 & 628)
3	1-319054	Pipe Support
		Manifold Weld Assembly
	420559-1	(MH426A-R-V)
	420559-2	(H413A-V)
	420559-3	(H614A-R-V)
	420559-4	(H628A-R-V)
	420559-5	(H324A-R-V)
	420559-6	(H413A-R-VH)
	420559-7	(H426A-R-VH)
	420559-8	(H311A-R-V)
	420559-9	(H312A-R-V)
	420559-10	(H322A-R-V)
4	32-50361	5/16-18 X 5/8 Lg. Hex Hd. Cap Screw
5	301-50510	1" X 79-11/16 Lg. Pipe (322, 324, 426 & 628)
	302-50510	3/4" X 79-11/16 Lg. Pipe (311, 312, 413 & 614)
6	10-51491	#14 X 1/2 Lg. P.K. Self-Tapping Screw
7	05-51700	3/4 X 90° Elbow - Banded (311, 312, 413 & 614)
	06-51700	1" X 90° Elbow - Banded (322, 324, 426 & 628)
8	05-51900	3/4 Pipe Plug (311, 312, 413 & 614)
9	06-51900	1" Pipe Plug (322, 324, 426 & 628)
10	02-54752	5/16-18 M-F Flange Whiz-Lock Nut
11	11-318940	"O" Ring
11	1-227838	Non Swivel Adapter (Interim Vapor Only)
12	27-318940	"O" Ring (Interim Vapor Only)

3-741333





3-741489

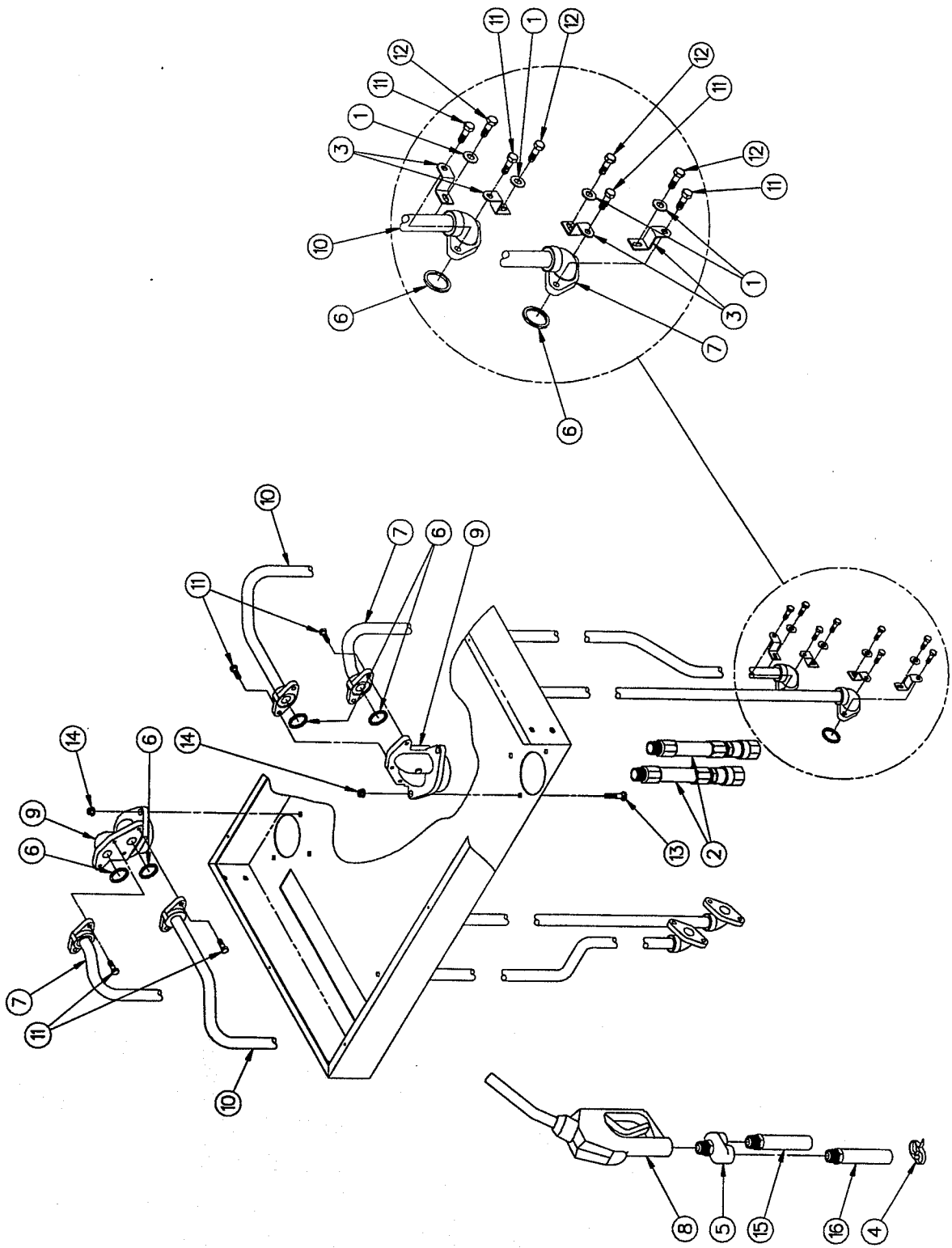
1 of 1

## H322A-R-B5 DISCHARGE HYDRAULICS

ITEM NO.	PART NO.	DESCRIPTION	ITEM NO.	PART NO.	DESCRIPTION
1	1-120731	Check Valve Cap	17	35-50361	5/16-18 X 1" Lg. Hex. Hd. Cap Screw
2	1-120733	Poppet Spring	18	10-51491	#14 X 1/2 Lg. P.K. Self Tapping Screw
3	1-120751	Washer	19	39-52198	5/16-18 X 1" Lg. Carriage Bolt
4	213168-1	Poppet Disc & Relief Valve Assembly	20	02-54752	5/16-18 M-F Flange Whiz-Lock Nut
5	1-227838	Non Swivel Adapter (Interim Vapor Only)	21	27-318940	"O" Ring (Interim Vapor Only)
6	229228-2	Check Valve Assy. (Includes Items #1, 2, 4, 7 & 11)			
7	1-229672	Support Bracket			
8	6-313235	Gasket			
9	13-313235	Gasket			
10	11-318940	"O" Ring (Vapor & Interim Vapor)			
11	Outlet Adapter				
	2-318229	Vapor Recovery			
	4-318241	Standard			
12	1-319134	Manifold Bracket			
13	2-418686	Check Valve			
14	1-420611	Blend Manifold			
15	420670-1	Tube Assembly			
16	420672-1	Tube Assembly			

3-741489

VH322A-R-B5 DISCHARGE & VAPOR RECOVERY



1-741492

1-741492

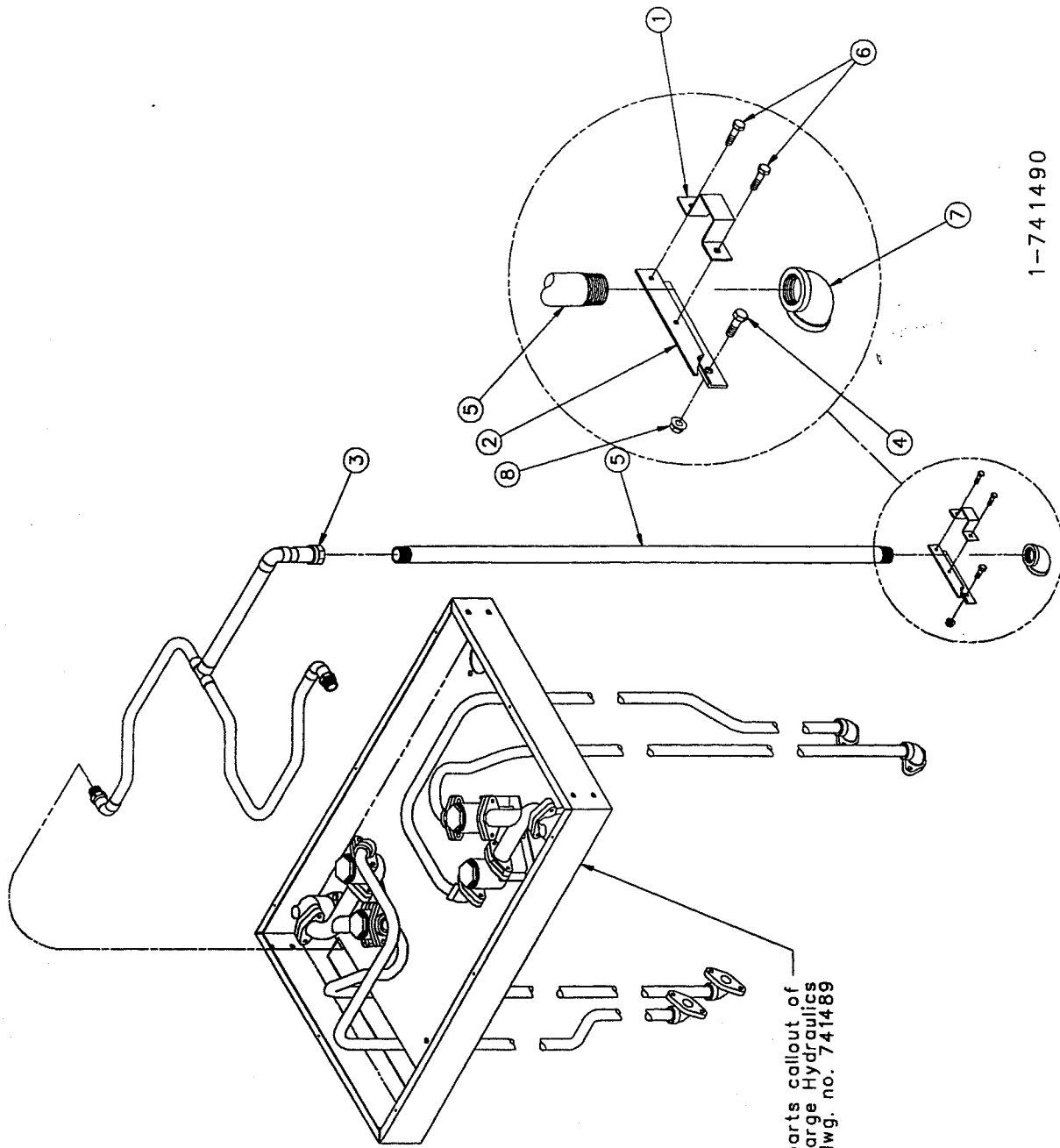
1 of 1

**VH322A-R-B5 DISCHARGE HYDRAULICS & VAPOR RECOVERY**

ITEM NO.	PART NO.	DESCRIPTION
1	1-120751	Washer
2	1-229668	Hose Breakaway Coupling
3	1-229672	Support Bracket
4	1-231030	Double Hose Clamp
5	1-231031	Blending Swivel
6	13-313235	Gasket
7	419609-1	Tube Weld Assembly
8	2-315615	3/4" Nozzle
9	2-420463	Twin Outlet Adapter
10	420504-1	Tube Weld Assembly
11	35-50361	5/16-18 X 1" Lg. Hex. Hd. Cap Screw
12	10-51491	#14 X 1/2" Lg. P.K. Self Tapping Screw
13	39-52198	5/16-18 X 1" Lg. Carriage Bolt
14	02-54752	5/16-18 M-F Flange Whiz Lock Nut
15	001-547714-00	3/4" I.D. Black Hose (3/4" Male Coupling)
16	001-553014-00	3/4" I.D. Red Hose (3/4" Male Coupling)

1-741492

**H322A-R-B5 VAPOR RECOVERY**



1-741490

For parts callout of  
Discharge Hydraulics  
see dwg. no. 741489

1-741490  
1 of 1

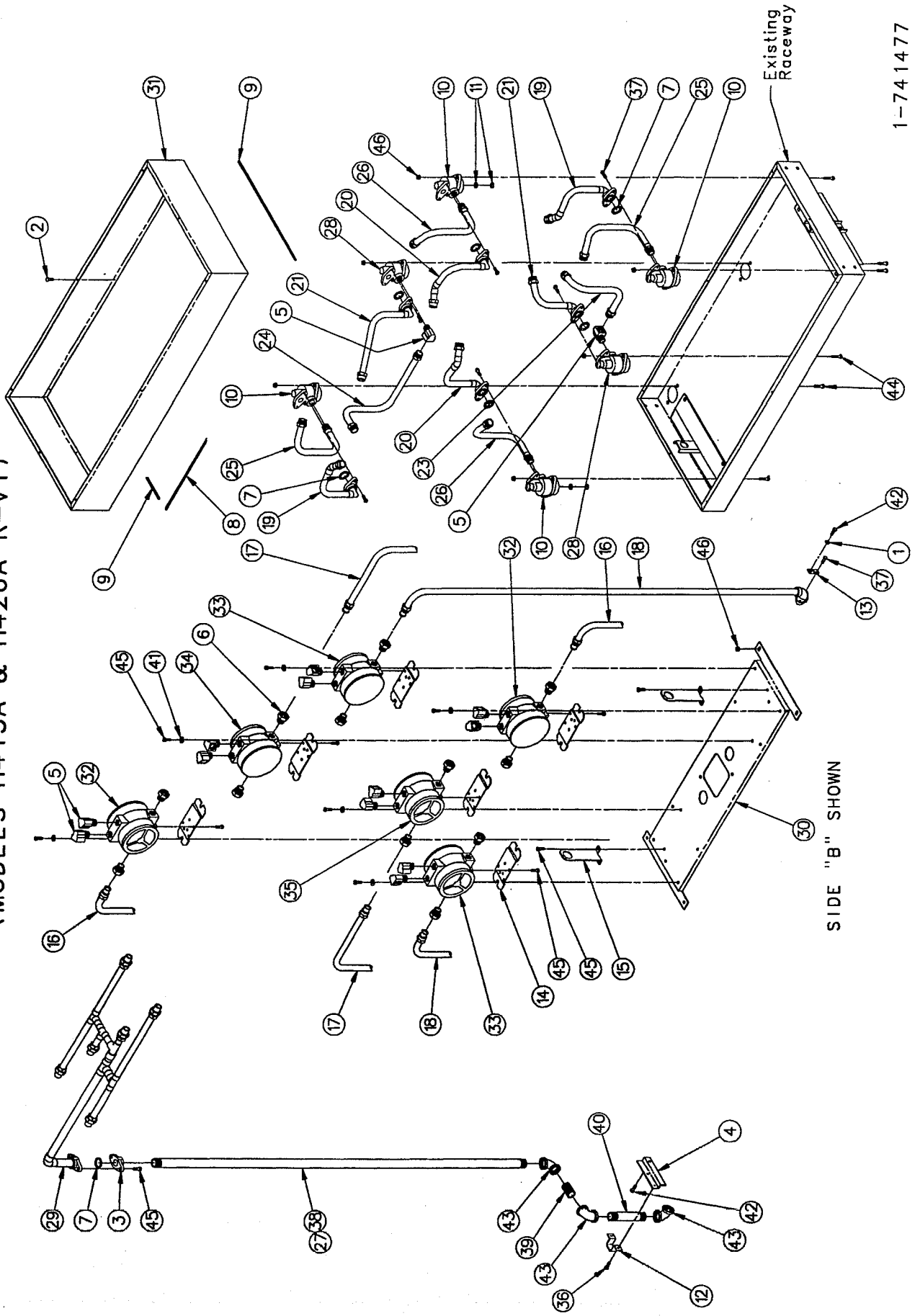
## H322A-R-B5 VAPOR RECOVERY SYSTEM

<u>ITEM NO.</u>	<u>PART NO.</u>	<u>DESCRIPTION</u>
1	1-319053	Pipe Clamp
2	1-319054	Pipe Support
3	420631-1	Manifold Weld Assembly
4	31-50361	5/16-18 X 1/2 Lg. Hex. Hd. Cap Screw
5	307-50510	1" X 83-1/2" Lg. Pipe
6	10-51491	#14 X 1/2 Lg. P.K. Self Tapping Screw
7	06-51700	1" X 90° Elbow (Banded)
8	02-54752	5/16-18 M-F Flange Whiz Lock Nut

---

1-741490

VAPOR RECOVERY SYSTEM WITH BLACKMER PUMP  
 (MODELS H413A & H426A-R-V1)



1-74 1477

1-741477

1 of 1

## VAPOR RECOVERY SYSTEM WITH BLACKMER PUMP (Models H413A-R-V1 & H426A-R-V1)

ITEM NO.	PART NO.	DESCRIPTION	ITEM NO.	PART NO.	DESCRIPTION	ITEM NO.	PART NO.	DESCRIPTION
1	1-120751	Washer	27	319208-1	Vapor Return Line Asy. (Includes Items #3, 38, 39, 40 & 43)	37	35-50361	5/16-18 X 1" Lg. Hex. Hd. Cap Screw
2	1-131282	Seal Screw	28	319227-1	Outlet Adapter & Elbow Asy. (Includes Items #5, 10 & 11)	38	308-50510	1" NPT X 72" Pipe (Steel)
3	2-217867	Hose Flange	29	Manifold Weld Asy. 420559-13	H413A	39	86-50560	1" NPT X 2" Pipe (Steel)
4	1-229672	Support Bracket	30	420559-14	H426A	40	94-50560	1" NPT X 6" Pipe (Steel)
5	1-230993	Elbow - Inverted Flare	31	420705-1	Pump Support Bracket Weld Asy.	41	03-50611	5/16 Plain Washer
6	1-230994	Connector - Inverted Flare	32	420777-1	Raceway Extension & Seal Asy. (Includes Items #8 & 9)	42	10-51491	#14 X 1/2 Lg. P.K. Self-Tapping Screw
7	13-313235	Gasket	33	420780-1	Blackmer Pump & Fitting Asy. (Includes Items #5, 6, 14 & 37)	43	06-51700	1" NPT 90° Elbow - Banded
8	27-317638	Cushion (49-3/8 Lg.)	34	1-319168	Blackmer Pump	44	39-52198	5/16-18 X 1" Lg. Carriage Bolt
9	28-317638	Cushion (23-7/8 Lg.)	35	420780-2	Blackmer Pump & Fitting Asy. (Includes Items #5, 6, 14 & 37)	45	35-54742	5/16-18 X 5/8 Lg. Whiz Lock Screw
10	5-318229	Outlet Adapter (Vapor)	36	1-319168	Blackmer Pump	46	02-54752	5/16-18 Whiz Lock Nut
11	11-318940	"O" Ring		420780-3	Blackmer Pump & Fitting Asy. (Includes Items #5, 6, 14 & 37)			
12	1-319053	Pipe Clamp						
13	1-319054	Pipe Support						
14	1-319160	Pump Mounting Bracket						
15	1-319166	Lifting Bracket						
16	319177-1	Fuel Inlet Tube Asy.						
17	319177-2	Fuel Inlet Tube Asy.						
18	319177-3	Fuel Inlet Tube Asy.						
19	319180-1	Fuel Discharge Tube Asy.						
20	319181-1	Fuel Discharge Tube Asy.						
21	319182-1	Fuel Discharge Tube Asy.						
22	319183-1	Fuel Discharge Tube Asy.						
23	319186-1	Vapor Discharge Tube Asy.						
24	319187-1	Vapor Discharge Tube Asy.						
25	319188-1	Vapor Discharge Tube Asy.						
26	319228-1	Outlet Adapter & Tube Asy. (Includes #10 & #11)						
	319189-1	Vapor Discharge Tube Asy.						
	319228-1	Outlet Adapter & Tube Asy. (Includes #10 & 11)						

### NOTES:

For complete Pump, Support Bracket & Manifold Asy. order:

420783-1 H413A-R  
(Includes items # 15, 29, 30, 32, 33, 35, 41 & 45)  
420783-2 H426A-R  
(Includes items # 15, 29, 30, 32, 33, 34, 35, 41 & 45)

For complete Raceway Asy. order:

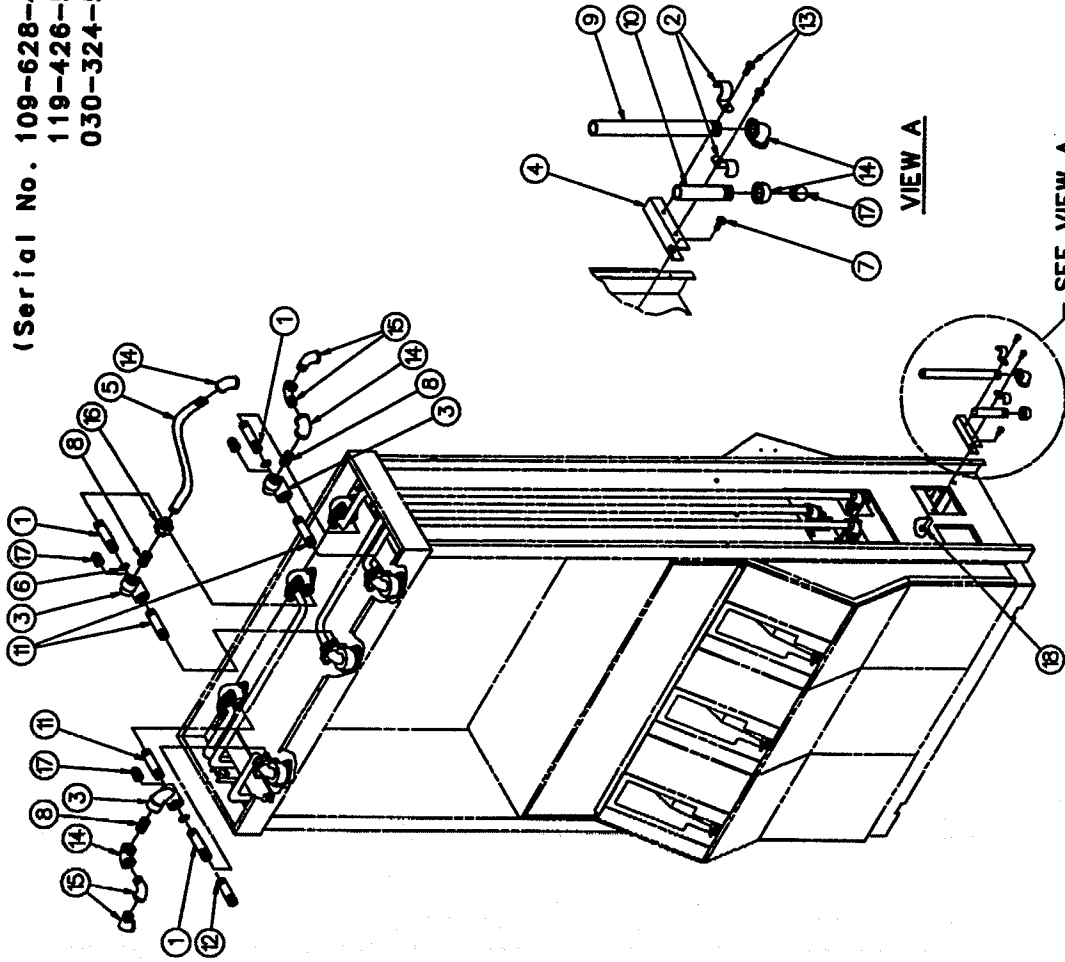
420791-1 H413A-R-V1  
420791-2 H426A-R-V1  
420791-3 H413A-R-V1-N  
420791-4 H426A-R-V1-N

(Reference drawing 420792 Final Assembly)

1-741477

# 17" VAPOR RECOVERY FOR HIGH HOSE NH413A & NH426A

(Serial No. 109-628-40692 & Below)  
 119-426-50383  
 030-324-52339



Item No.	Part No.	Name Of Part
1	5-227588	Slip Joint (NH426A)
2	1-230118	Strap Clamp
3	1-318230	Tee (NH426A)
4	1-318282	Tee (NH413A)
5	1-318272	Pipe Support
6	1-318821	Vapor Discharge Tube
7	62-37106	"O" Ring
	32-50361	5/16-18 X 5/8 Long Hex Head Cap Screw
8	180-50510	3/4 X 1-1/2 Long Pipe
9	287-50510	3/4 X 83-1/2 Long Pipe
10	288-50510	3/4 X 85-1/2 Long Pipe
11	293-50510	3/4 X 3-3/4 Long Pipe
12	74-50560	3/4 X 4 Long Pipe Nipple (NH413A)
13	10-51491	#14 X 1/2 Long P.K. Self-Tapping Screw
14	05-51700	3/4 X 90° Elbow - Banded
15	05-51710	90° Street Elbow
16	04-51780	Union - Female
17	05-51900	3/4 Pipe Plug
18	02-54752	5/16-18 M-F Flange Whiz-Lock Nut

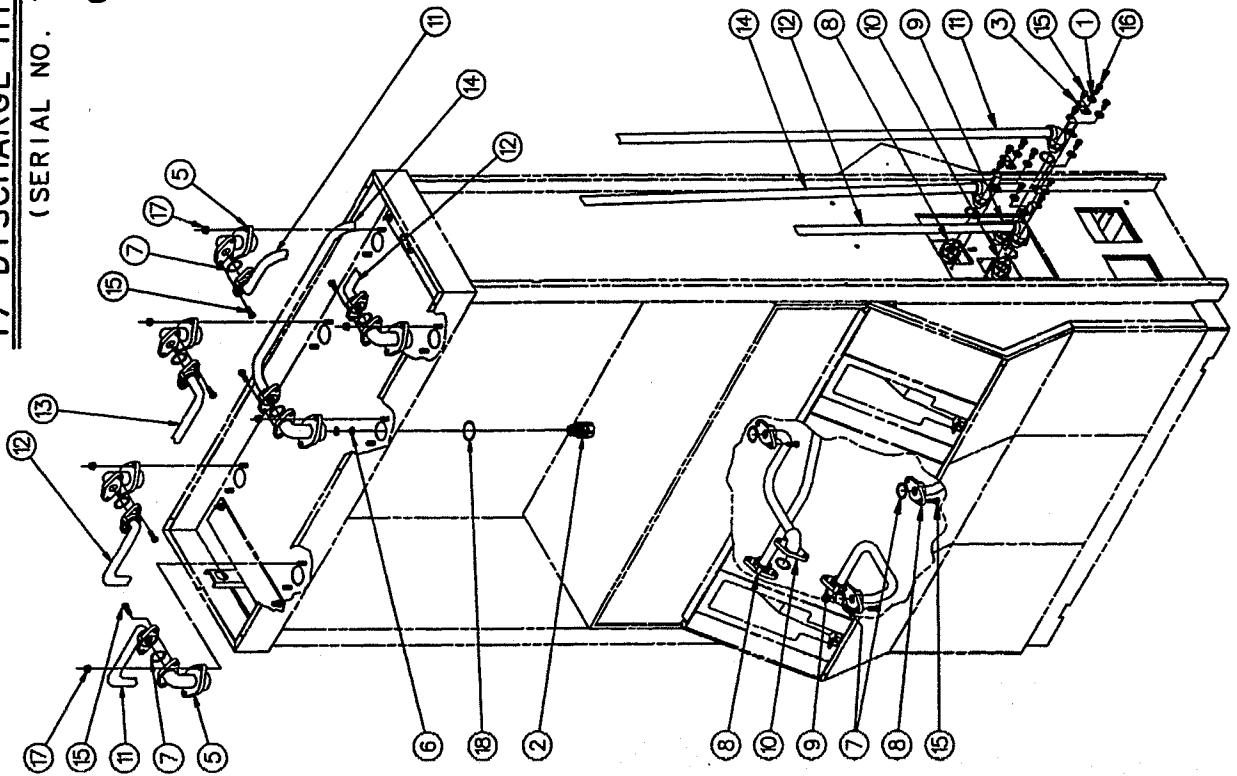
1-741436

# 17" DISCHARGE HYDRAULICS FOR HIGH HOSE

(SERIAL NO. 109-628-40692 & BELOW)

119-426-50383

030-324-52339

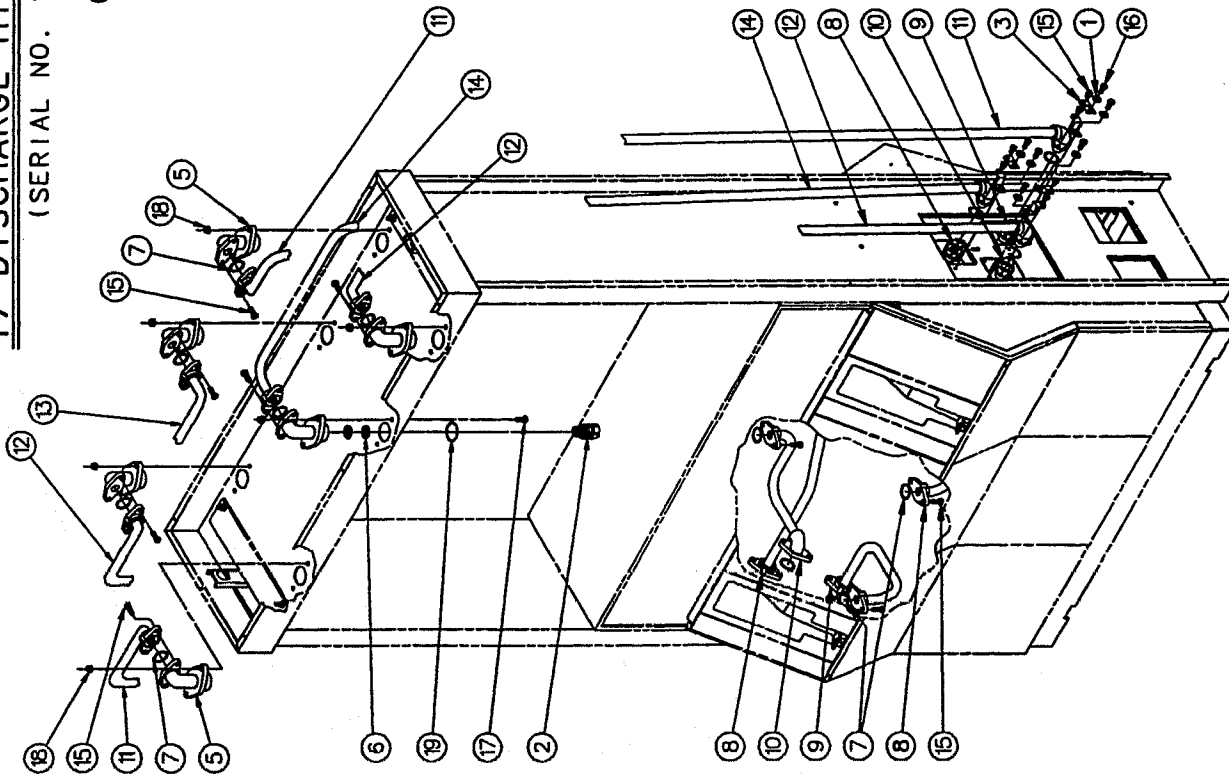


Item No.	Part No.	Name Of Part
1	1-120751	Washer
2	1-227373	5/8" 45° Hose Swivel
3	1-229672	Support Bracket
4	3-317828	Corrugated Co-axial Hose (Vapor Recovery)(Not Shown)
5	001-547610-06	5/8" I.D. X 10'-6" Long Hose (Not Shown)
6	Outlet Adapter	
7	2-318229	(Vapor Recovery)
8	2-318241	(Non Vapor Recovery)
9	11-318940	"O" Ring (Used Only On Vapor Recovery & Interim Vapor)
10	17-318940	"O" Ring
11	419606-1	Discharge Tube Assembly
12	419607-1	Discharge Tube Assembly
13	419608-1	Discharge Tube Assembly
14	420203-1	Outlet Tube Assembly
15	420205-1	Outlet Tube Assembly
16	420207-1	Outlet Tube Assembly
17	420207-2	Outlet Tube Assembly
18	35-50361	5/16-18 X 1" Long Hex Head Cap Screw
	10-51491	#14 X 1/2 Long P.K. Self-Tapping Screw
	02-54752	5/16-18 M-F Flange Whiz-Lock Nut
	27-318940	"O" Ring (Interim Vapor Only)

1-741434

# 17" DISCHARGE HYDRAULICS FOR HIGH HOSE

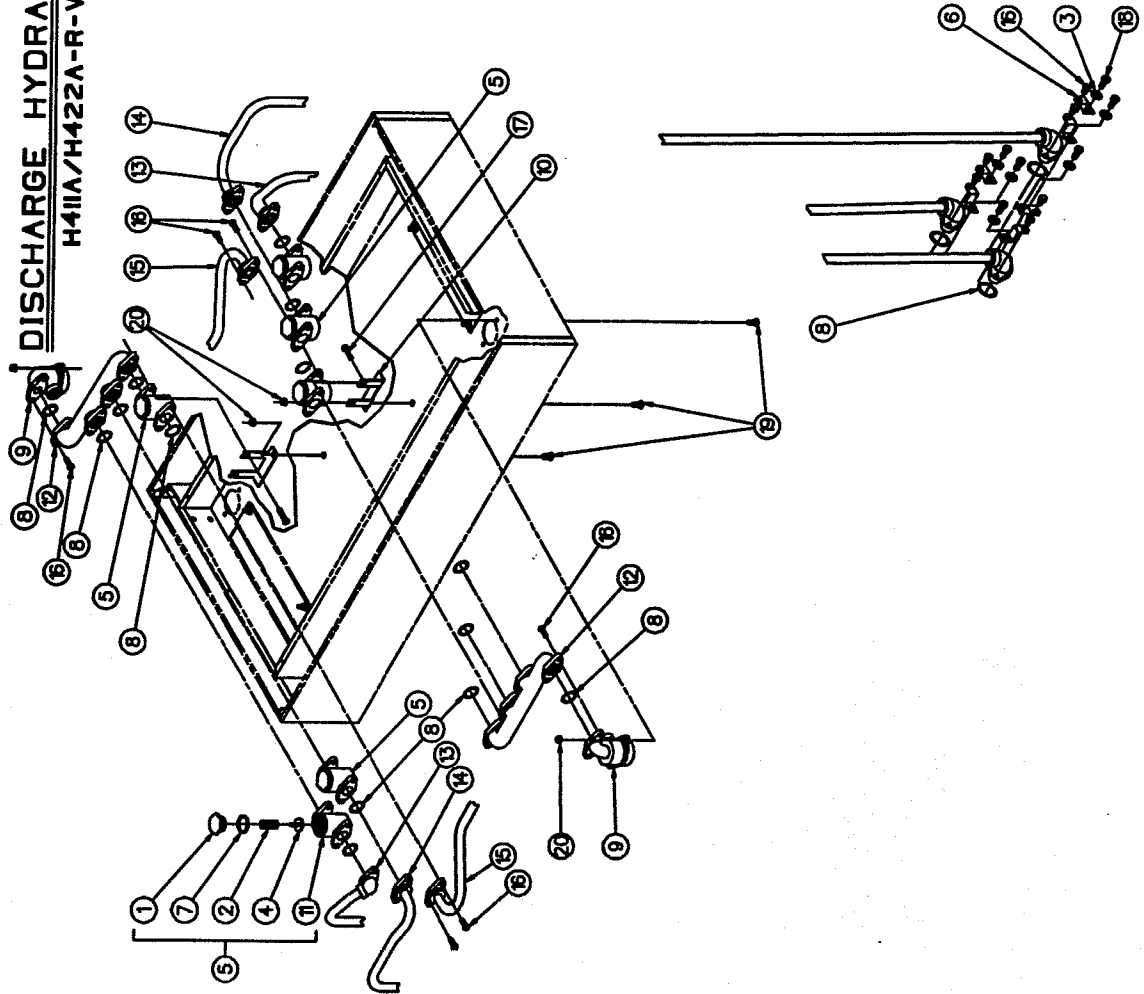
(SERIAL NO. 109-628-40693 & ABOVE)  
 119-426-50384  
 030-324-52340



Item No.	Part No.	Name Of Part
1	1-120751	Washer
2	1-227373	5/8" 45° Hose Swivel
3	1-229672	Support Bracket
4	3-317828	Corrugated Co-axial Hose (Vapor Recovery) (Not Shown)
	001-547610-06	5/8" I.D. X 10'-6" Long Hose (Not Shown)
5	Outlet Adapter	
	2-318229	(Vapor Recovery)
	2-318241	(Non Vapor Recovery)
6	11-318940	"0" Ring (Used Only On Vapor Recovery & Interim Vapor)
7	17-318940	"0" Ring
8	419606-1	Discharge Tube Assembly
9	419607-1	Discharge Tube Assembly
10	419608-1	Discharge Tube Assembly
11	420203-1	Outlet Tube Assembly
12	420205-1	Outlet Tube Assembly
13	420207-1	Outlet Tube Assembly
14	420207-2	Outlet Tube Assembly
15	35-50361	5/16-18 X 1" Long Hex Head Cap Screw
16	10-51491	#14 X 1/2 Long P.K. Self-Tapping Screw
17	39-52198	5/16-18 X 1" Long Carriage Bolt
18	02-54752	5/16-18 M-F Flange Whiz-Lock Nut
19	27-318940	"0" Ring (Interim Vapor Only)

1-741435

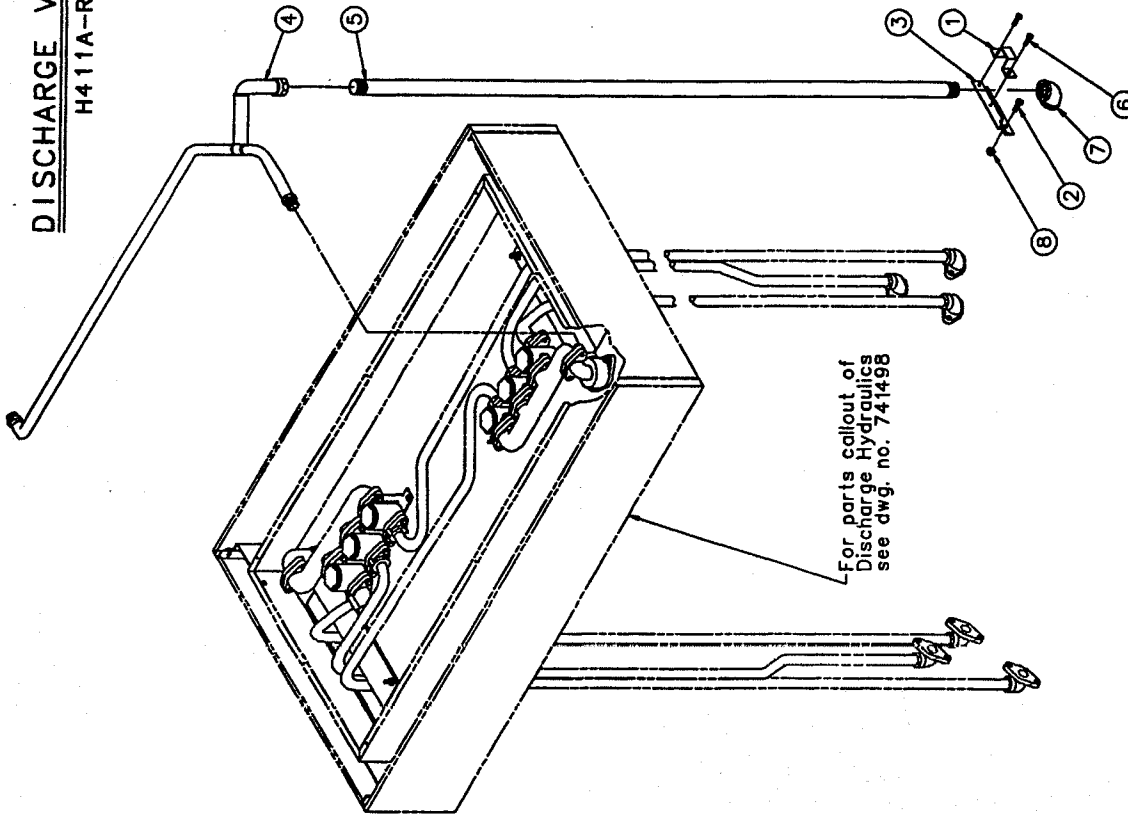
**DISCHARGE HYDRAULICS**  
**H411A/H422A-R-V**



Item No.	Part No.	Name Of Part
1	1-120731	Check Valve Cap
2	1-120733	Poppet Spring
3	1-120751	Washer
4	213168-1	Poppet Disc & Relief Valve Assembly
5	229228-2	Check Valve Assembly
6	1-229672	Support Bracket
7	6-313235	Check Valve Gasket
8	13-313235	Gasket
9	2-318229	Outlet Adapter
10	1-319179	Manifold Support Bracket
11	2-418686	Check Valve
12	1-420693	Manifold
13	420699-1	Outlet Tube Assembly
14	420702-1	Outlet Tube Assembly
15	420727-1	Outlet Tube Assembly
16	35-50361	5/16-18 X 1" Long Hex Head Cap Screw
17	36-50361	5/16-18 X 1-1/4 Long Hex Head Cap Screw
18	10-51491	#14 X 1/2 PK Self Tapping Screw
19	39-52198	5/16-18 X 1" Long Carriage Bolt
20	02-54752	5/16-18 M-F Flange Whiz-Lock Nut

I-741498

**DISCHARGE VAPOR RECOVERY**  
**H411A-R & H422A-R**



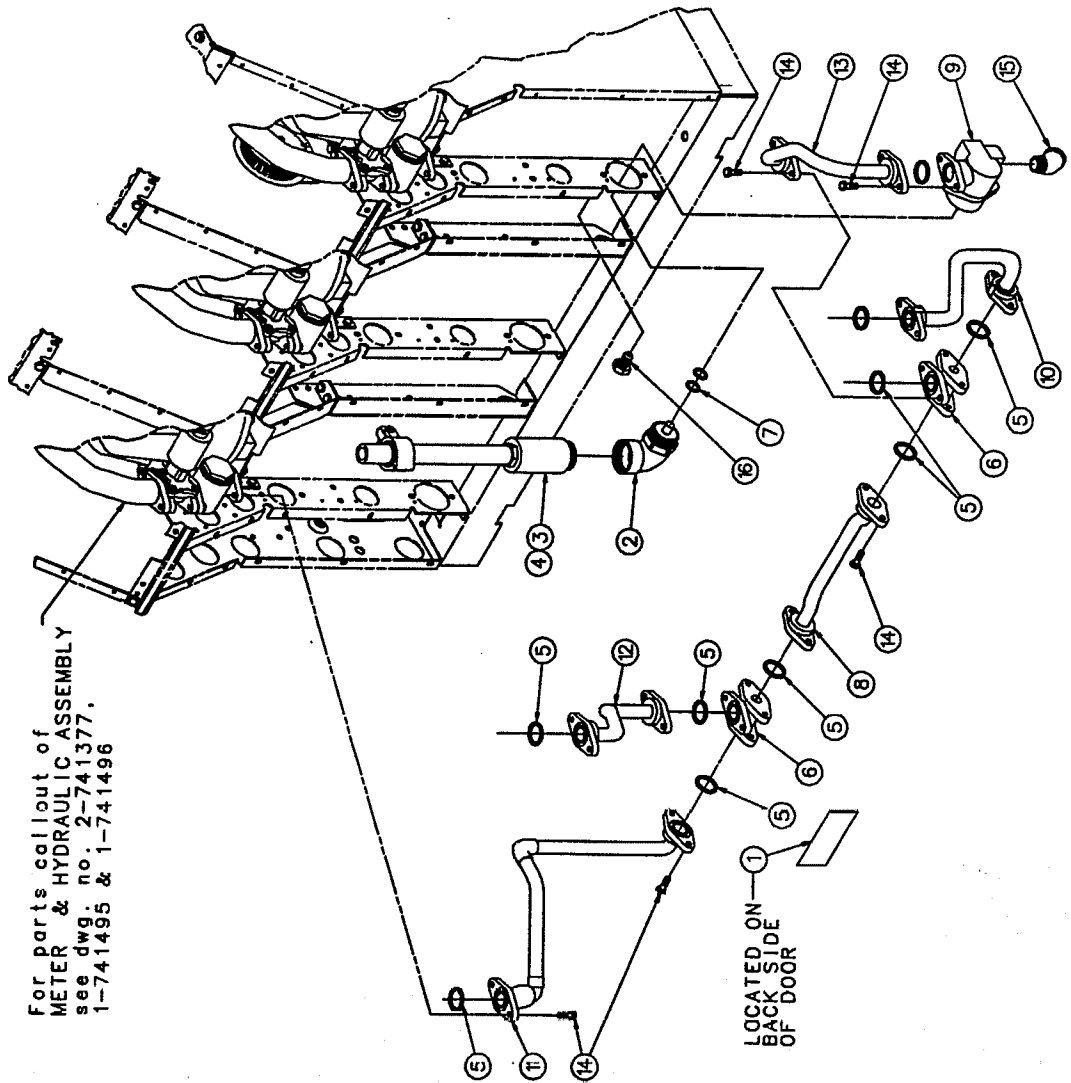
For parts callout of  
 Discharge Hydraulics  
 see dwg. no. 741498

Item No.	Part No.	Name Of Part
1	1-230887	Pipe Clamp (H411A)
2	1-319053	Pipe Clamp (H422A)
3	1-230958	5/16-18 X 3/4 Long Hex Head Cap Screw
4	1-319054	Pipe Support
5	420567-11	Manifold Assembly (H411A)
6	420567-12	Manifold Assembly (H422A)
7	301-50510	1" X 79-11/16 Long Pipe (H422A)
8	302-50510	3/4" X 79-11/16 Long Pipe (H411A)
	10-51491	#14 X 1/2 Long P.K. Self Tapping Screw
	05-51700	90° Elbow - Banded (H411A)
	06-51700	90° Elbow - Banded (H422A)
	02-54752	5/16-18 M-F Flange Whiz-Lock Nut

1-741499

# LOW DISCHARGE VAPOR RECOVERY REMOTE CONTROL 411A & 422A

For parts callout of  
METER & HYDRAULIC ASSEMBLY  
see dwg. no. 2-741377,  
1-741495 & 1-741496



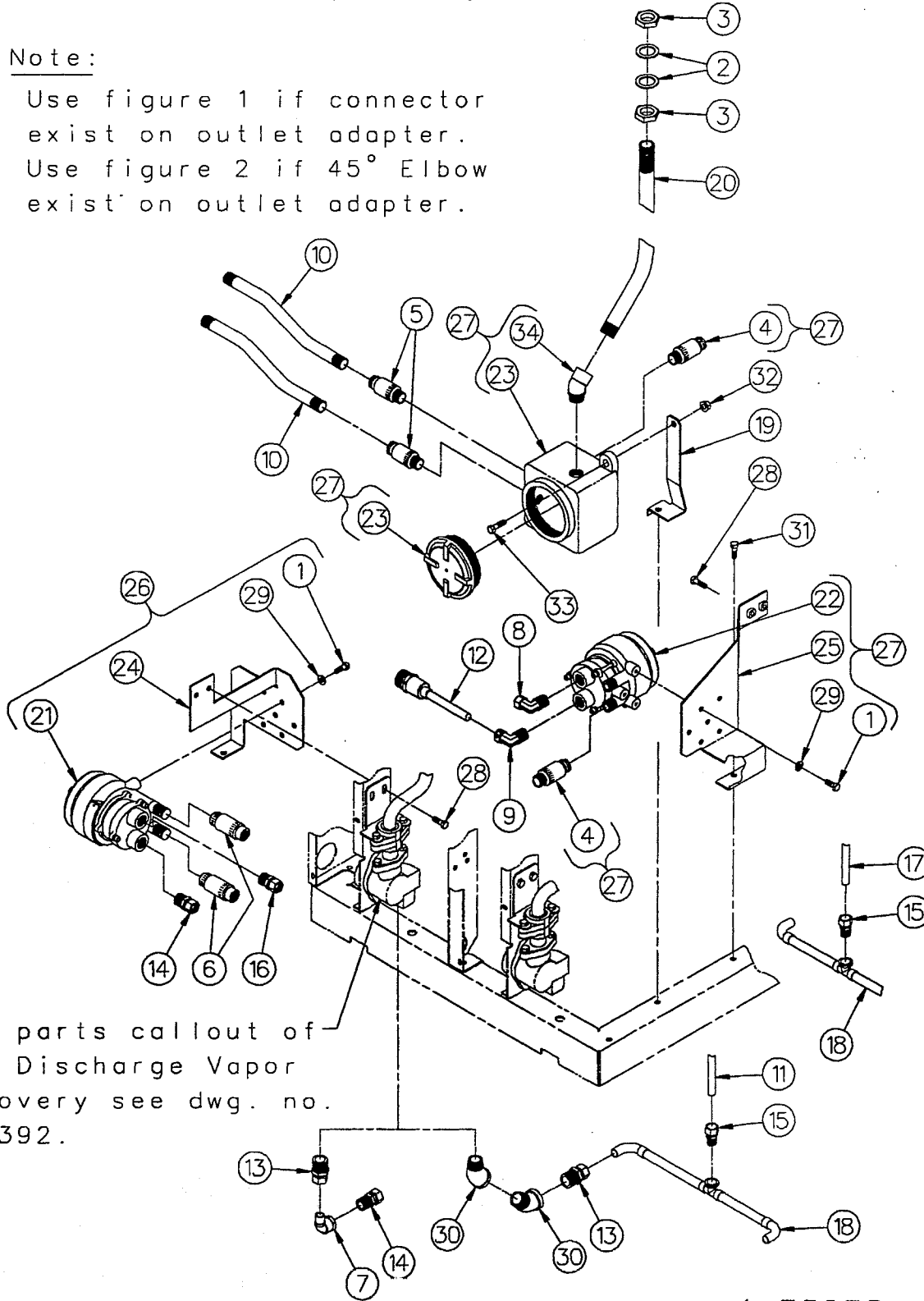
Item No.	Part No.	Name Of Part
1	1-131584	Warning Label
2	1-228347	90° Coax Swivel (OPW)
	1-228363	90° Coax Swivel (Emco-Wheaton)
3	229024-1	Co-Axial Hose & Clamp (Corrugated)
	229024-2	Co-Axial Hose & Clamp (Smooth)
4	229025-1	Unleaded Vapor Nozzle (Emco-Wheaton)
	229025-2	Unleaded Vapor Nozzle (OPW)
	229025-3	Leaded Vapor Nozzle (Emco-Wheaton)
	229025-4	Leaded Vapor Nozzle (OPW)
5	13-313235	Gasket
6	2-318807	Tee
7	11-318940	"O" Ring
8	319289-1	Outlet Tube Assembly
9	1-420716	Outlet Adapter
10	420852-1	Outlet Tube Assembly
11	420853-1	Outlet Tube Assembly
12	420854-1	Outlet Tube Assembly
13	420865-1	Discharge Tube Assembly
14	35-50361	5/16-18 X 1" Long Hex Head Cap Screw
15	05-51692	3/4 45° Street Elbow
16	35-54742	5/16-18 X 5/8 Long MF Hex Head Whiz-Lock Screw

I-741497

# MaxVac LOW DISCHARGE SYSTEM (30" TCS "A")

Note:

Use figure 1 if connector exist on outlet adapter.  
Use figure 2 if 45° Elbow exist on outlet adapter.



For parts callout of Low Discharge Vapor Recovery see dwg. no. 741392.

Figure 1      Figure 2

1-73978

# MaxVac LOW DISCHARGE SYSTEM

1-73978

1 of 1

## 30" TCS "A"

ITEM NO.	PART NO.	DESCRIPTION
1	1-132767	M8 x 20mm Long Hex Head Machine Screw
2	1-132777	Conduit Washer
3	1-132791	Hexagon Locknut
4	1-218941	1/2-14 Expansion Union (M/F)
5	1-218941 04-51901	1/2-14 Expansion Union (M/F)(322A & 324A) 1/2" Square Head Pipe Plug (311A, & 312A)
6	1-219892	1/2-14 Expansion Union (Female)
7	1-232277	1/2 NPT 90° Fitting Elbow
8	1-232281	1/2" Tube x 90° Male Elbow
9	2-232281	5/8" Tube x 90° Male Elbow
10	1-232364	Conduit
11	<u>Inlet Tube Assembly</u>	
	1-232441	Used With Item #7 (311A & 312A)
	1-319857	Used With Item #30 (311A & 312A)
	3-319704	Used With Item #7 (322A Side "A" & 324A Side "A")
	1-319856	Used With Item #30 (322A Side "A" & 324A Side "A")
12	<u>Outlet Tube Assembly</u>	
	232456-1	311A & 312A
	232456-2	322A & 324A
13	1-319636	3/4 NPTF Male Connector (1/2" Tube)
14	2-319636	1/2 NPTF Male Connector (1/2" Tube)
15	3-319636	3/8 NPTF Male Connector (3/8" Tube)
16	4-319636	1/2 NPTF Male Connector (3/8" Tube)
17	<u>Inlet Tube Assy. (322A Side "B" &amp; 324A Side "B")</u>	
	1-319858	Used With Item #7
	2-319858	Used With Item #30
18	<u>Manifold Assembly</u>	
	319860-1	311A & 322A Side "A"
	319860-2	311A-RB3/5, 322A-RB3/5 & 322A Side "B"
	319860-3	312A & 324A
19	1-319861	Box Support Bracket
20	319910-2	Conduit & Harness Assembly
21	421473-4	Pump Assembly (Includes Item #14 & 16)(322A & 324A Side "B")
22	421473-5	Pump Assembly (Includes Item #8 & 9)(311A, 312A, 322A Side "A" & 324A Side "A")
23	1-421490	Cover & Junction Box
24	421740-1	Motor Bracket Assembly (322A & 324A Side "B")
25	421741-1	Bracket Assembly
26	421754-1	Pump & Bracket Assembly (322A Side "B" & 324A Side "B")
27	421777-1	Pump Bracket & Box Assembly (311A, 312A, 322A Side "A", 324A Side "A")
28	32-50361	5/16-18 x 5/8" Long Hex Head Cap Screw
29	14-50641	5/16" Split Lockwasher
30	05-51692	3/4" x 45° Street Elbow (M-F)
31	35-54742	5/16-18 x 5/8" Long M-F Hex Head Whiz Lock Screw
32	02-54752	5/16-18 M-F Flange Whiz Lock Nut
33	40-54752	5/16-18 x 1-1/4" Long M-F Hex Head Whiz Lock Screw
34	02-55472	45° Short Conduit Elbow

Reference:

319910 Conduit Assembly  
421836 30" Vapor Recovery Kit

1-73978

# 45" & 60" TCS "A" MaxVac LOW DISCHARGE SYSTEM

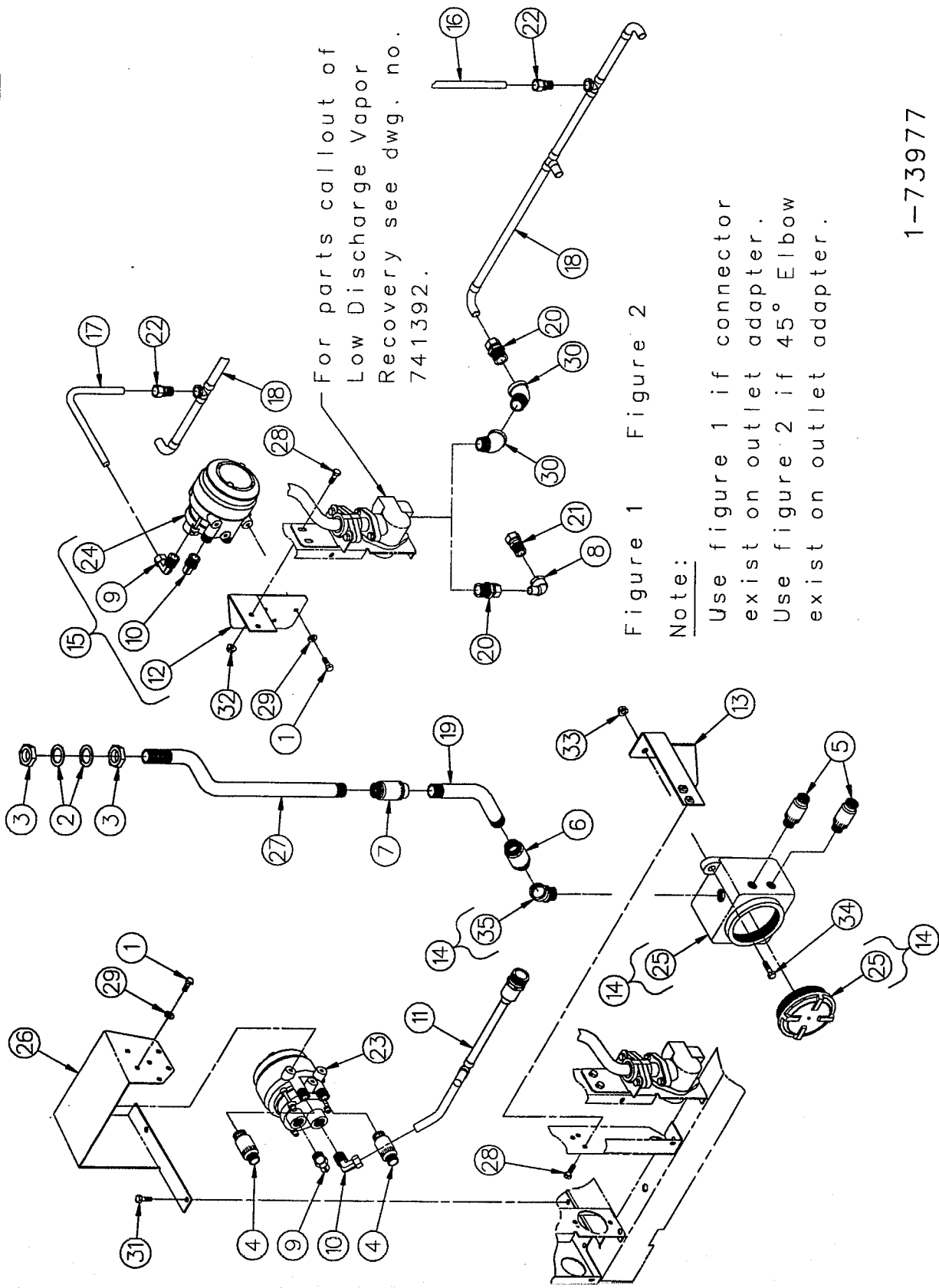


Figure 1 Figure 2

Note:

Use figure 1 if connector exist on outlet adapter.  
 Use figure 2 if 45° Elbow exist on outlet adapter.

1-73977

1-73977  
1 of 1

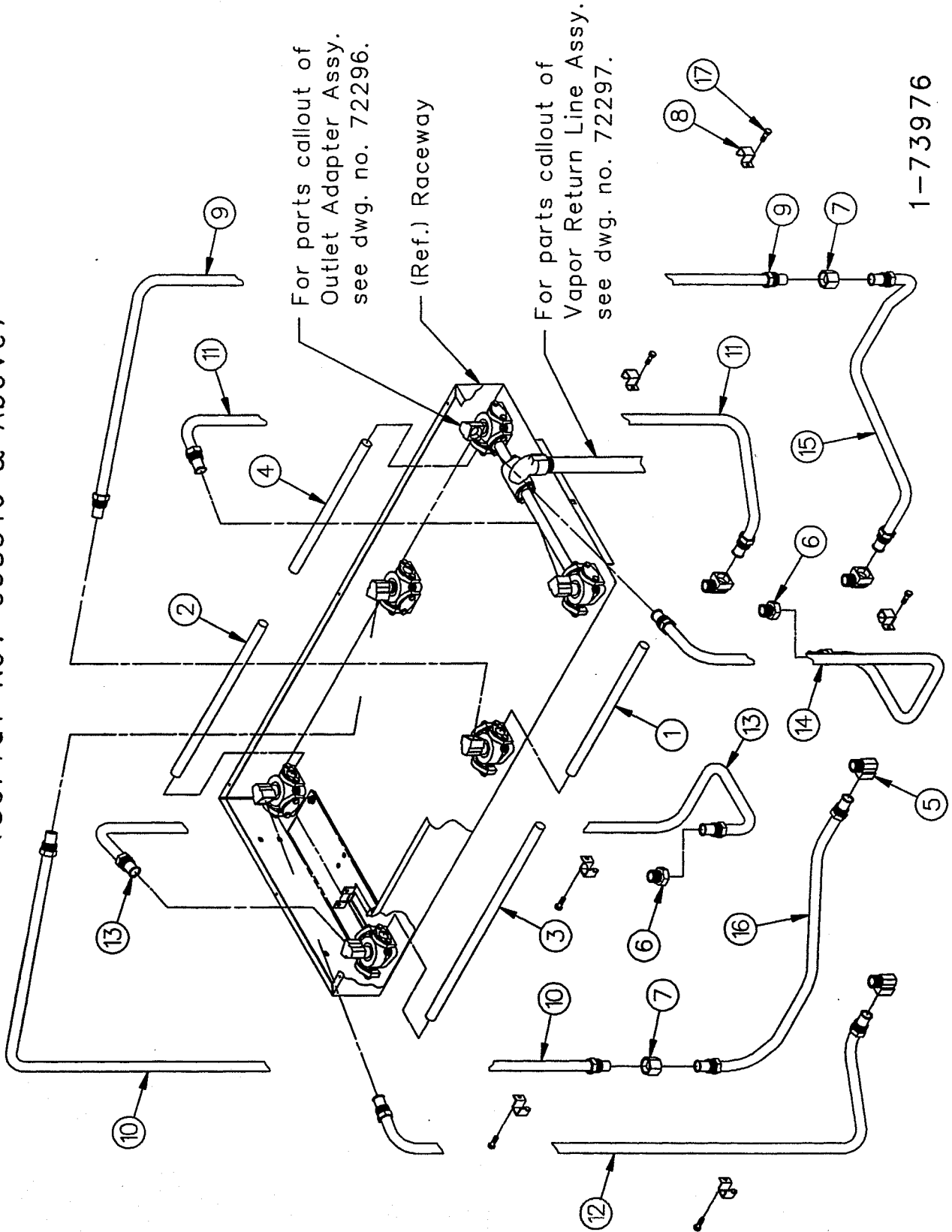
# 45" & 60" TCS "A" MaxVac Low Discharge System

ITEM NO.	PART NO.	DESCRIPTION	ITEM NO.	PART NO.	DESCRIPTION
1	1-132767	M8 x 20mm Long Hex Head Machine Screw	19	1-319725	Conduit
2	1-132777	Conduit Washer	20	1-319636	3/4 NPTF Male Connector (1/2" Tube)
3	1-132791	Hexagon Locknut	21	2-319636	1/2 NPTF Male Connector (1/2" Tube)
4	1-218941	1/2-14 Expansion Union (M/F)	22	3-319636	3/8 NPTF Male Connector (3/8" Tube)
5	1-218941	1/2-14 Expansion Union (M/F)	23		Pump Assembly (Includes Items 9 & 10) (411A, 413A, 614A, 422A Side "A", 426A Side "A")
	04-51901	1/2" Square Head Pipe Plug (411A, 413A & 614A)		421476-2	NuovoPignone
6	2-218941	3/4-14 Expansion Union (M/F)		2-421736	Thomas
7	2-219892	3/4-14 Expansion Union (Female)	24	1-232793	Filter Screen (used on both)
8	1-232377	1/2 NPT 90° Fitting Elbow			Pump Assembly (Includes Item 9 & 10) (422A Side "B", 426A Side B & 628A Side "B")
9	1-232281	1/2" Tube x 90° Male Elbow		421476-3	Nuovo Pignone
10	2-232281	5/8" Tube x 90° Male Elbow		2-421736	Thomas
11		Outlet Tube Assembly	25	1-232793	Filter Screen (used on both)
	232287-1	422A, 426A & 628A	26	1-421490	Cover & Junction Box
	232330-1	411A, 413A & 614A	27	1-421492	Motor Bracket
				421517-2	Conduit & Harness Assembly
12	232288-1	Motor Bracket (422A, 426A & 628A Side "B")	28	32-50361	5/16-18 x 5/8" Long Hex Head Cap Screw
13	232316-1	Bracket Weld Assembly	29	14-50641	5/16" Split Lockwasher
14	319695-1	Box & Pump Assembly (411A, 413A, 614A, 422A Side "A", 426A Side "A" & 628A Side "A")	30	05-51692	3/4" x 45° Street Elbow (M-F)
15	319696-1	Pump & Bracket Assembly (422A Side "B", 426A Side "B" & 628A Side "B")	31	35-54742	5/16-18 x 5/8" Long M-F Hex Head Whiz Lock Screw
16		Vapor Inlet Tube	32	02-54752	5/16-18 M-F Flange Whiz Lock Nut
	1-232425	628A Side "B"	33	04-54752	3/8-16 M-F Flange Whiz Lock Nut
	1-319703	422A Side "B" & 426A Side "B"	34	55-55132	3/8-16 x 1-1/4" Long M-F Hex Head Whiz Lock Screw
17		Vapor Inlet Tube	35	02-55472	45° Short Conduit Elbow
	1-232487	60"			Reference:
	1-319704	45" Used With Item #8		319517	Conduit Assembly
	2-319704	45" Used With Item #30		319729	45" Vapor Recovery Kit
18		Manifold Assembly		320122	60" Vapor Recovery Kit
	319707-1	413A, 426A, 614A & 628A			
	319788-1	411A & 422A			

1-73977

# H413A & H426A DISCHARGE ASSEMBLY

(Serial No. 068546 & Above)



1-73976  
1 of 1

# H413A & H426A DISCHARGE ASSEMBLY (Serial No. 068546 & Above)

ITEM NO.	PART NO.	DESCRIPTION
1	63-230486	Vapor Tube (15.37 Long)(H413A & H426A Side "A")
2	63-230486	Vapor Tube (15.37 Long)(H426A Side "B")
3	64-230486	Vapor Tube (23.15 Long)(H413A & H426A Side "A")
4	64-230486	Vapor Tube (23.15 Long)(H426A Side "B")
5	1-230993	90° Inverted Flare Elbow
6	1-230994	Inverted Flare Connector
7	1-231845	Union
8	1-231855	Discharge Tube Clamp
9	319359-1	Upper Discharge Tube Assembly (H413A & H426A Side "A")
10	319359-2	Upper Discharge Tube Assembly (H426A Side "B")
11	421044-1	Discharge Tube Assembly (H413A & H426A Side "A")
12	421044-1	Discharge Tube Assembly (H426A Side "B")
13	421045-1	Discharge Tube Assembly (H413A & H426A Side "A")
14	421045-1	Discharge Tube Assembly (H426A Side "B")
15	421046-1	Lower Outlet Tube Assembly (H413A & H426A Side "A")
16	421046-1	Lower Outlet Tube Assembly (H426A Side "B")
17	10-51491	#14 x 1/2" Long P.K. Self Tapping Screw

Reference:

420501

Trim Assembly

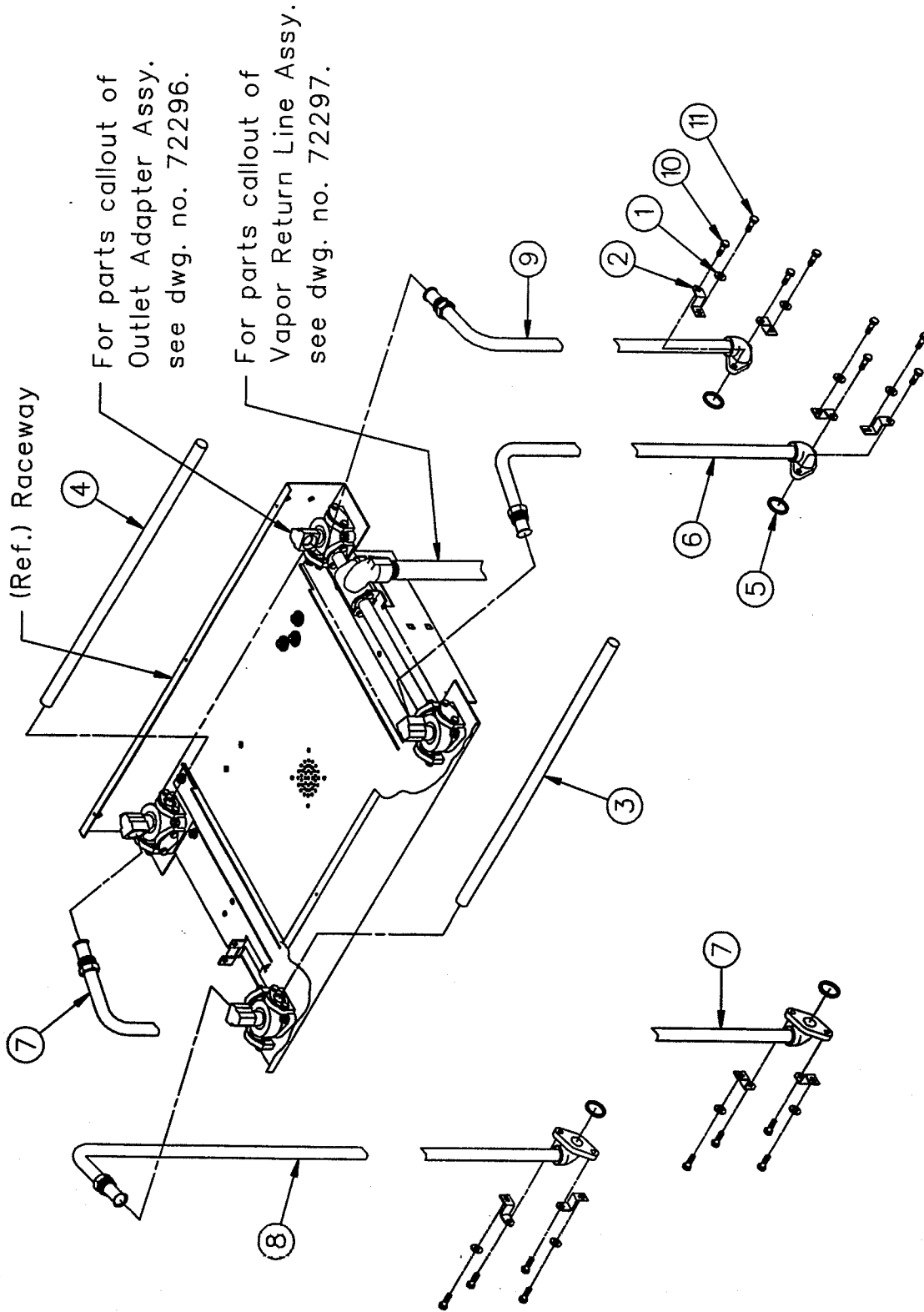
---

1-73976

# DISCHARGE ASSEMBLY

(H311A, H312A, H322A & H324A)

(MaxVac)



1-73971

1-73971  
1 of 1

**DISCHARGE ASSEMBLY  
(H311A, H312A, H322A & H324A) (MaxVac)**

ITEM NO.	PART NO.	DESCRIPTION
1	1-120751	Washer
2	1-229672	Support Bracket
3	78-230486	Vapor Tube (H312A & H324A Side "A")
4	78-230486	Vapor Tube (H324A Side "B")
5	13-313235	Gasket
6	421504-1	Discharge Tube Assembly (H312A & H324A)
7	421504-1	Discharge Tube Assembly (H322A & H324A)
8	421504-2	Discharge Tube Assembly (H311A, H312A, H322A & H324A)
9	421504-2	Discharge Tube Assembly (H324A)
10	35-50361	5/16-18 x 1" Long Hex Head Cap Screw
11	10-51491	#14 x 1/2" Long P.K. Self Tapping Screw

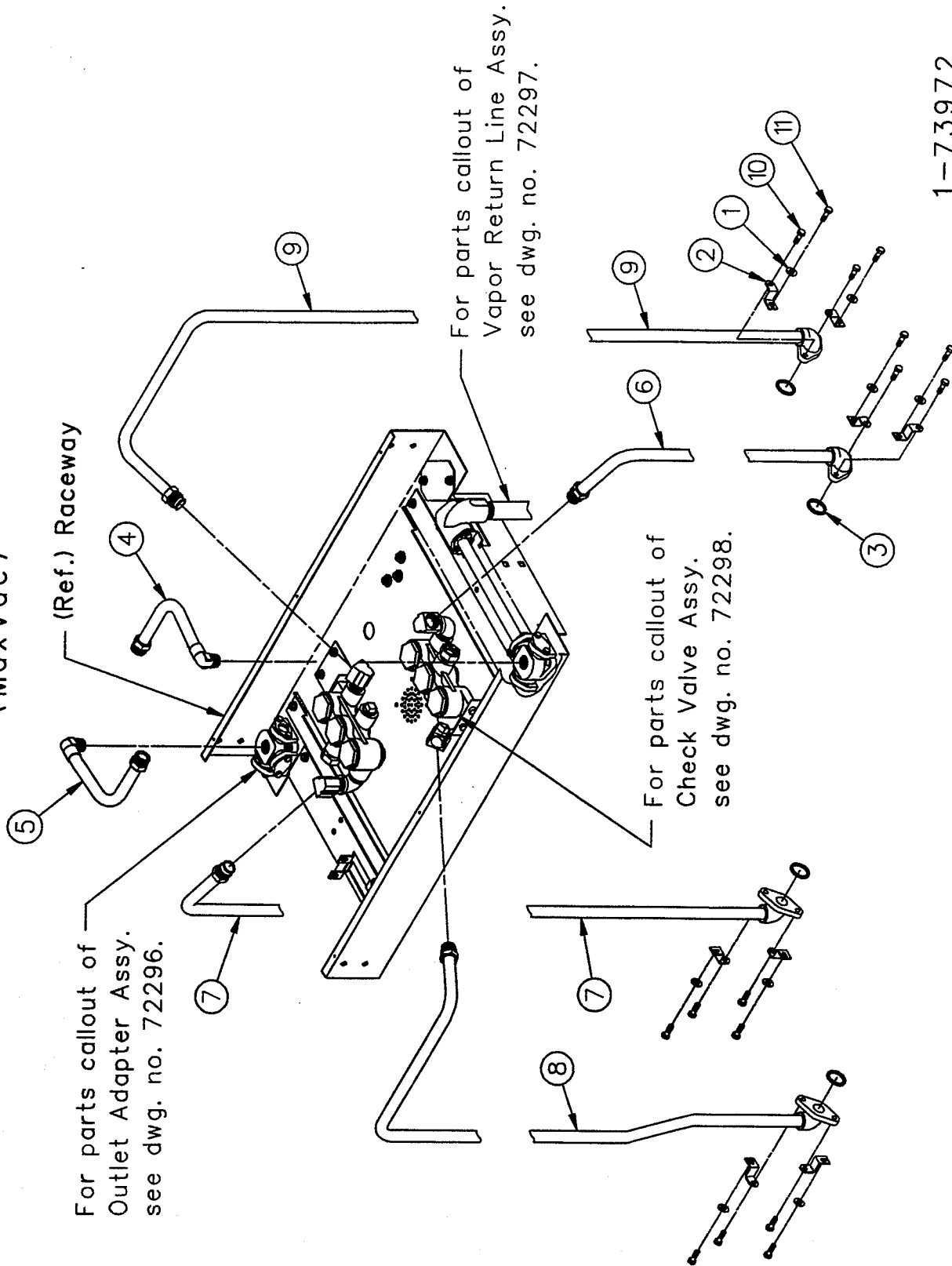
**Reference:**

319828 Raceway Assembly  
319840 Vapor Recovery Kit

1-73971

# DISCHARGE ASSEMBLY

(H311A-RB3/5 & H322A-RB3/5)  
(MaxVac)



1-73972

1-73972  
1 of 1

**DISCHARGE ASSEMBLY  
(H311A-RB3/5 & H322A-RB3/5) (MaxVac)**

ITEM NO.	PART NO.	DESCRIPTION
1	1-120751	Washer
2	1-229672	Support Bracket
3	13-313235	Gasket
4	319680-1	Fuel Tube Assembly (H311A-RB3/5 & H322A-RB3/5 Side "A")
5	319680-1	Fuel Tube Assembly (H322A-RB3/5 Side "B")
6	319817-1	Tube Discharge Assembly (H311A-RB3/RB5 & H322A-RB3/RB5 Side "A")
7	319817-1	Tube Discharge Assembly (H322A-RB3/5 Side "B")
8	319818-1	Tube Discharge Assembly (H311A-RB3/RB5 & H322A-RB3/RB5 Side "A")
9	319818-1	Tube Discharge Assembly (H322A-RB3/5 Side "B")
10	35-50361	5/16-18 x 1" Long Hex Head Cap Screw
11	10-51491	#14 x 1/2" Long P.K. Self Tapping Screw
<u>Reference:</u>		
	319828	Raceway Assembly
	319840	Vapor Recovery Kit

1-73972

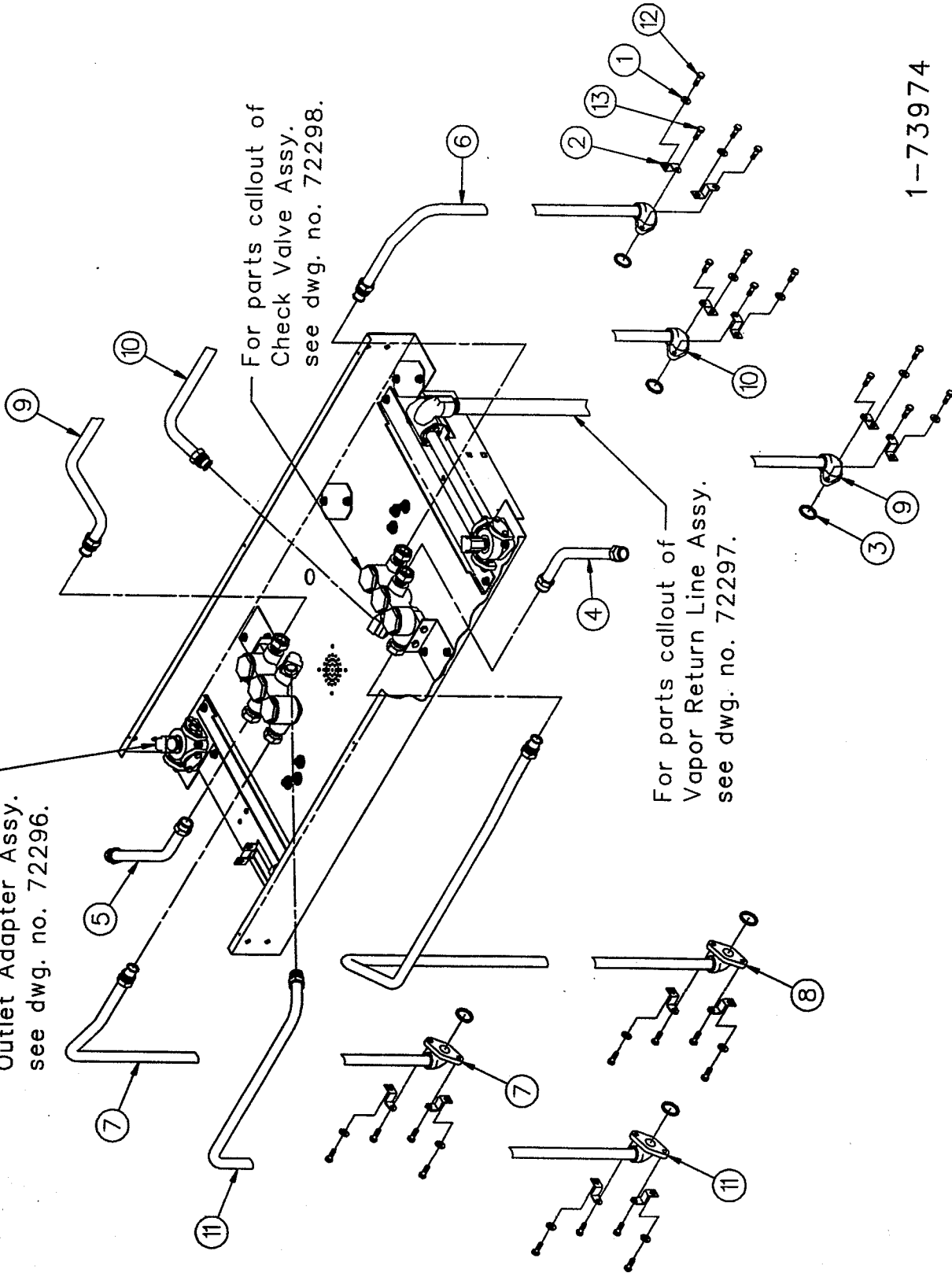
# H411A & H422A DISCHARGE ASSEMBLY

For parts callout of (MaxVac)

Outlet Adapter Assy.  
see dwg. no. 72296.

For parts callout of  
Check Valve Assy.  
see dwg. no. 72298.

For parts callout of  
Vapor Return Line Assy.  
see dwg. no. 72297.



1-73974

1-73974  
1 of 1

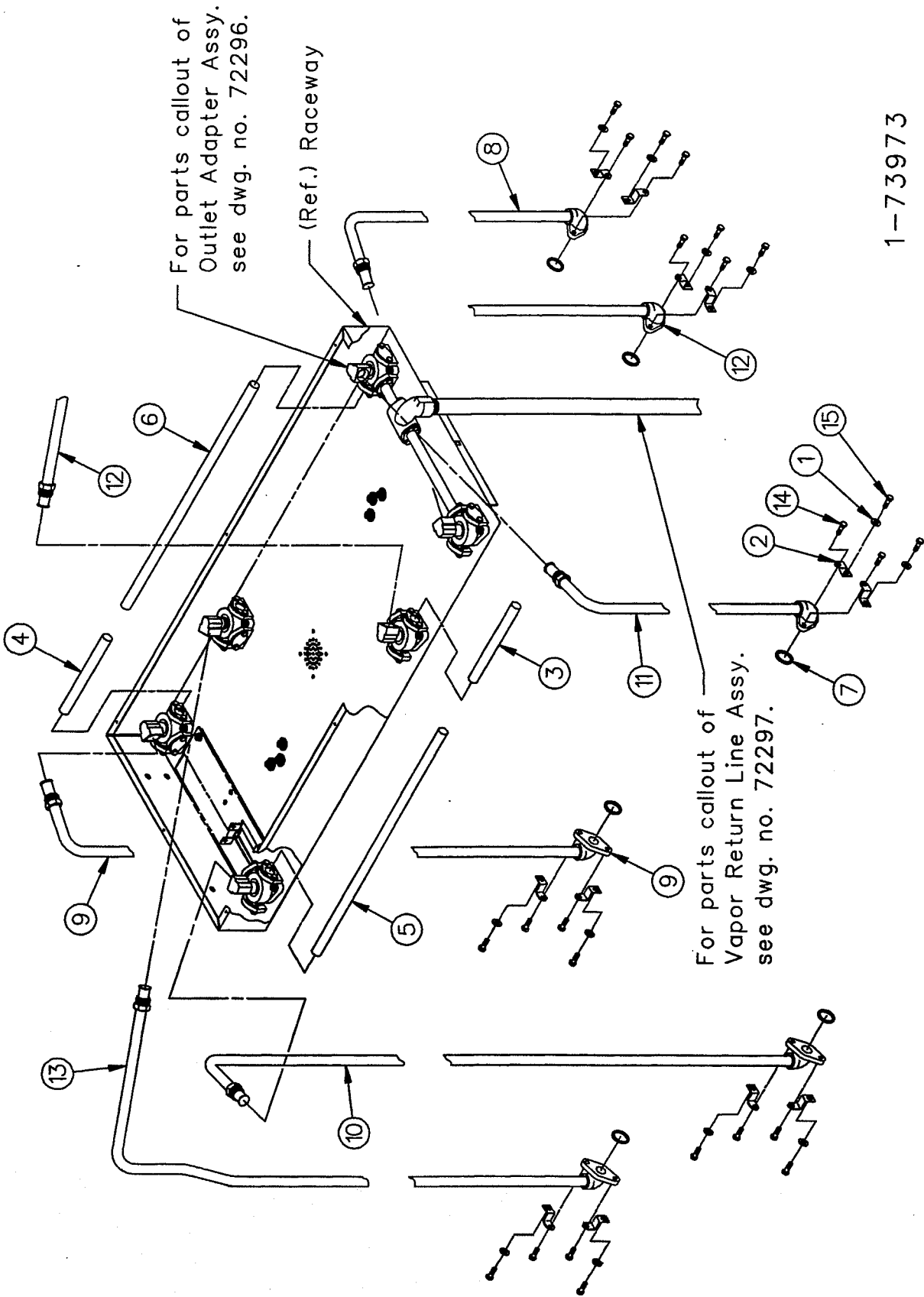
## H411A & H422A DISCHARGE ASSEMBLY (MaxVac)

ITEM NO.	PART NO.	DESCRIPTION
1	1-120751	Washer
2	1-229672	Support Bracket
3	13-313235	Gasket
4	319421-1	Outlet Tube Assembly (H411A & H422A Side "A")
5	319421-1	Outlet Tube Assembly (H422A Side "B")
6	319779-1	Inlet Fuel Tube Assembly (H411A & H422A Side "A")
7	319779-1	Inlet Fuel Tube Assembly (H422A Side "B")
8	319782-1	Inlet Fuel Tube Assembly (H411A & H422A Side "A")
9	319782-1	Inlet Fuel Tube Assembly (H422A Side "B")
10	319784-1	Inlet Fuel Tube Assembly (H411A & H422A Side "A")
11	319784-1	Inlet Fuel Tube Assembly (H422A Side "B")
12	35-50361	5/16-18 x 1" Long Hex Head Cap Screw
13	10-51491	#14 x 1/2" Long P.K. Self Tapping Screw
<u>Reference:</u>		
	319775	Vapor Recovery Kit
	421591	Raceway Assembly

1-73974

# H413A & H426A DISCHARGE ASSEMBLY

(MaxVac Serial No. 068545 & Below)



1-73973

1-73973  
1 of 1

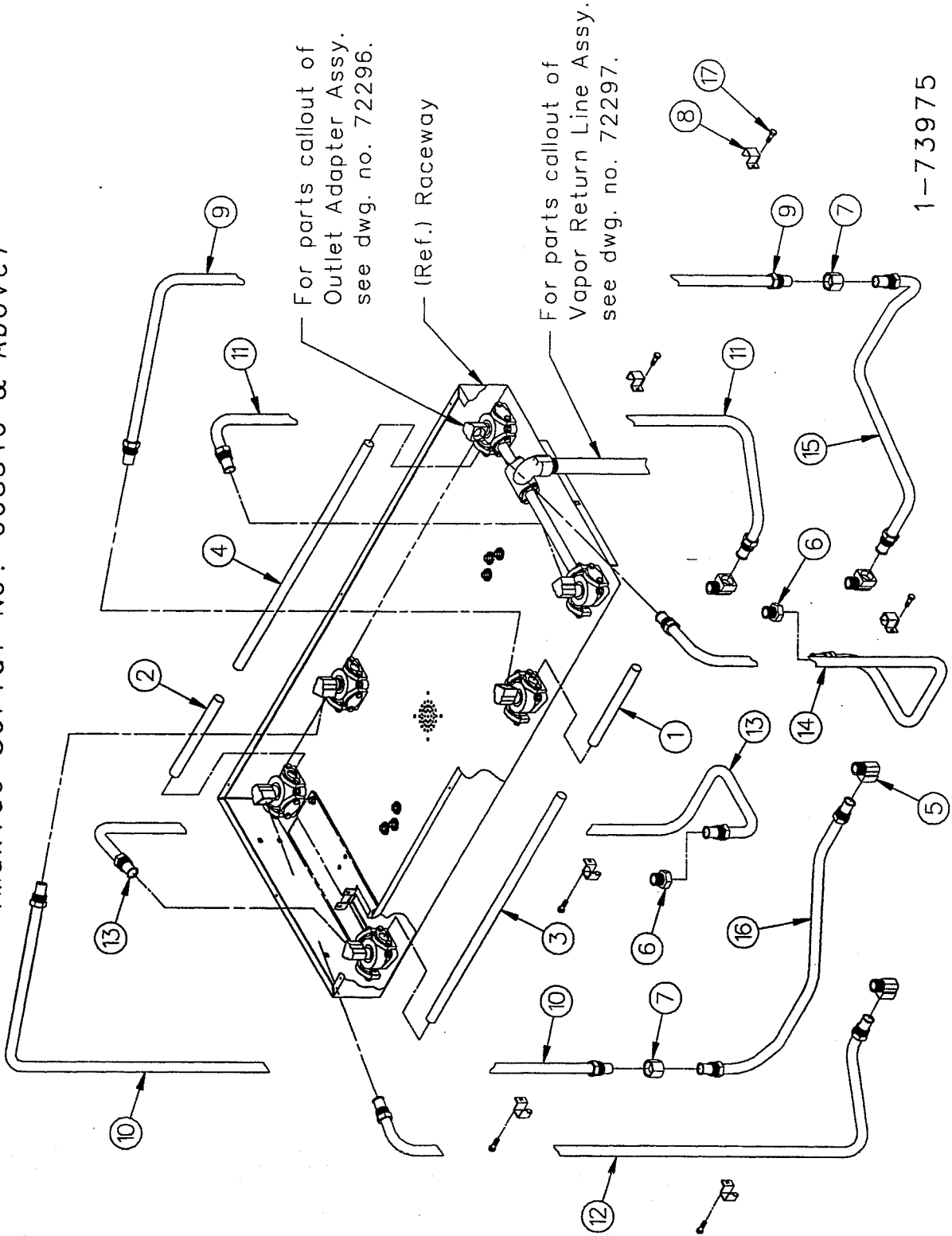
**H413A & H426A DISCHARGE ASSEMBLY**  
**(MaxVac Serial No. 068545 & Below)**

ITEM NO.	PART NO.	DESCRIPTION
1	1-120751	Washer
2	1-229672	Support Bracket
3	67-230486	Vapor Tube (10.27 Long)(H413A & H426A Side "A")
4	67-230486	Vapor Tube (10.27 Long)(H426A Side "B")
5	68-230486	Vapor Tube (28.27 Long)(H413A & H426A Side "A")
6	68-230486	Vapor Tube (28.27 Long)(H426A Side "B")
7	13-313235	Gasket
8	421504-1	Discharge Tube Assembly (H413A & H426A Side "A")
9	421504-1	Discharge Tube Assembly (H426A Side "B")
10	421504-2	Discharge Tube Assembly (H413A & H426A Side "A")
11	421504-2	Discharge Tube Assembly (H426A Side "B")
12	421508-1	Outlet Tube Assembly (H413A & H426A Side "A")
13	421508-1	Outlet Tube Assembly (H426A Side "B")
14	35-50361	5/16-18 x 1" Long Hex Head Cap Screw
15	10-51491	#14 x 1/2" Long P.K. Self Tapping Screw
<u>Reference:</u>		
	319775	Vapor Recovery Kit
	421591	Raceway Assembly

1-73973

# H413A & H426A DISCHARGE ASSEMBLY

(MaxVac Serial No. 068546 & Above)



1-73975

1-73975  
1 of 1

**H413A & H426A DISCHARGE ASSEMBLY**  
**(MaxVac Serial No. 068546 & Above)**

ITEM NO.	PART NO.	DESCRIPTION
1	67-230486	Vapor Tube (10.27 Long)(H413A & H426A Side "A")
2	67-230486	Vapor Tube (10.27 Long)(H426A Side "B")
3	68-230486	Vapor Tube (28.27 Long)(H413A & H426A Side "A")
4	68-230486	Vapor Tube (28.27 Long)(H426A Side "B")
5	1-230993	90° Inverted Flare Elbow
6	1-230994	Inverted Flare Connector
7	1-231845	Union
8	1-231855	Discharge Tube Clamp
9	319359-8	Upper Discharge Tube Assembly (H413A & H426A Side "A")
10	319359-8	Upper Discharge Tube Assembly (H426A Side "B")
11	421044-1	Discharge Tube Assembly (H413A & H426A Side "A")
12	421044-1	Discharge Tube Assembly (H426A Side "B")
13	421045-1	Discharge Tube Assembly (H413A & H426A Side "A")
14	421045-1	Discharge Tube Assembly (H426A Side "B")
15	421046-1	Lower Outlet Tube Assembly (H413A & H426A Side "A")
16	421046-1	Lower Outlet Tube Assembly (H426A Side "B")
17	10-51491	#14 x 1/2" Long P.K. Self Tapping Screw

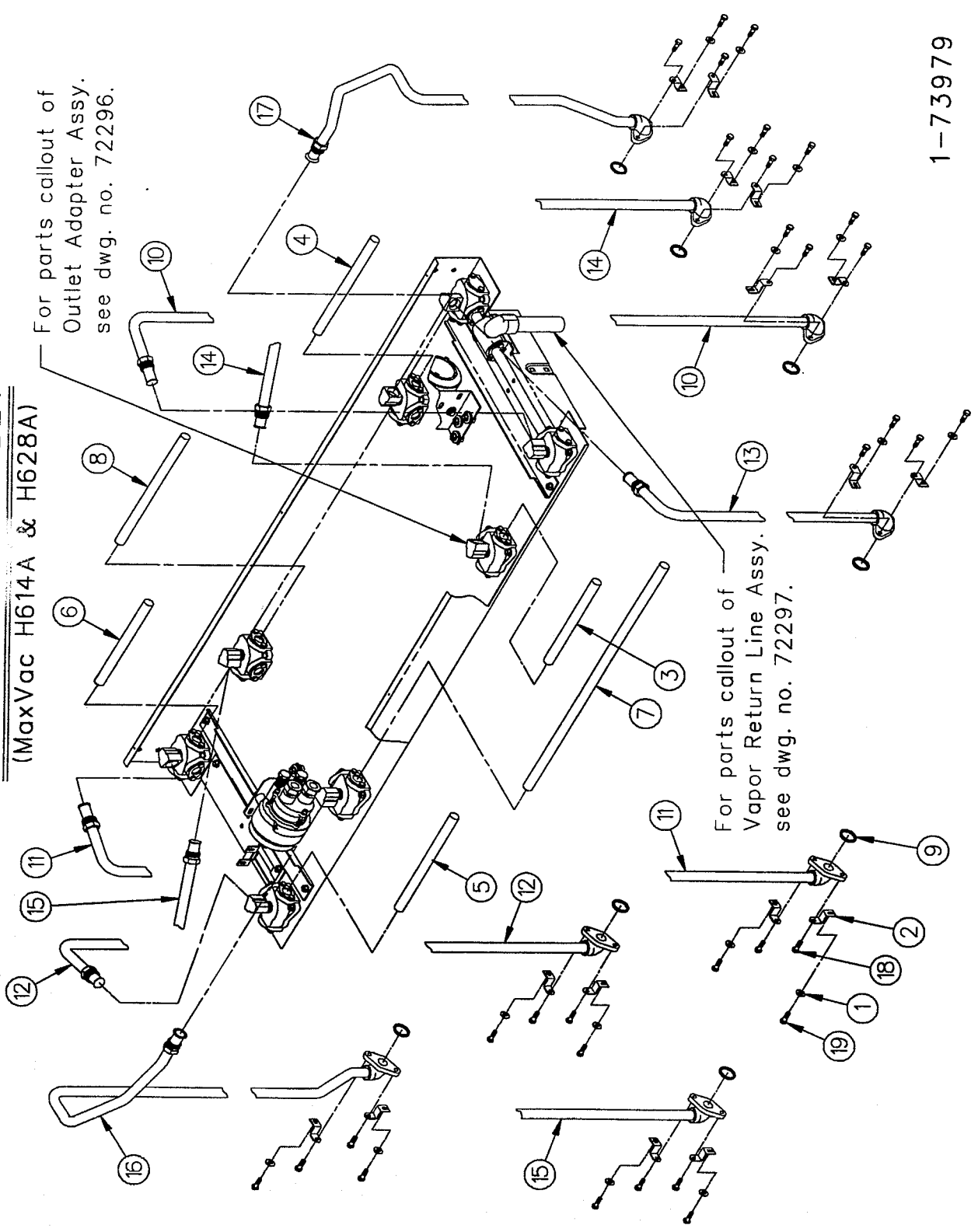
Reference:

319775 Vapor Recovery Kit  
420501 Trim Assembly  
421591 Raceway Assembly

1-73975

# DISCHARGE ASSEMBLY

(MaxVac H614A & H628A)



For parts callout of  
Outlet Adapter Assy.  
see dwg. no. 72296.

For parts callout of  
Vapor Return Line Assy.  
see dwg. no. 72297.

1-73979

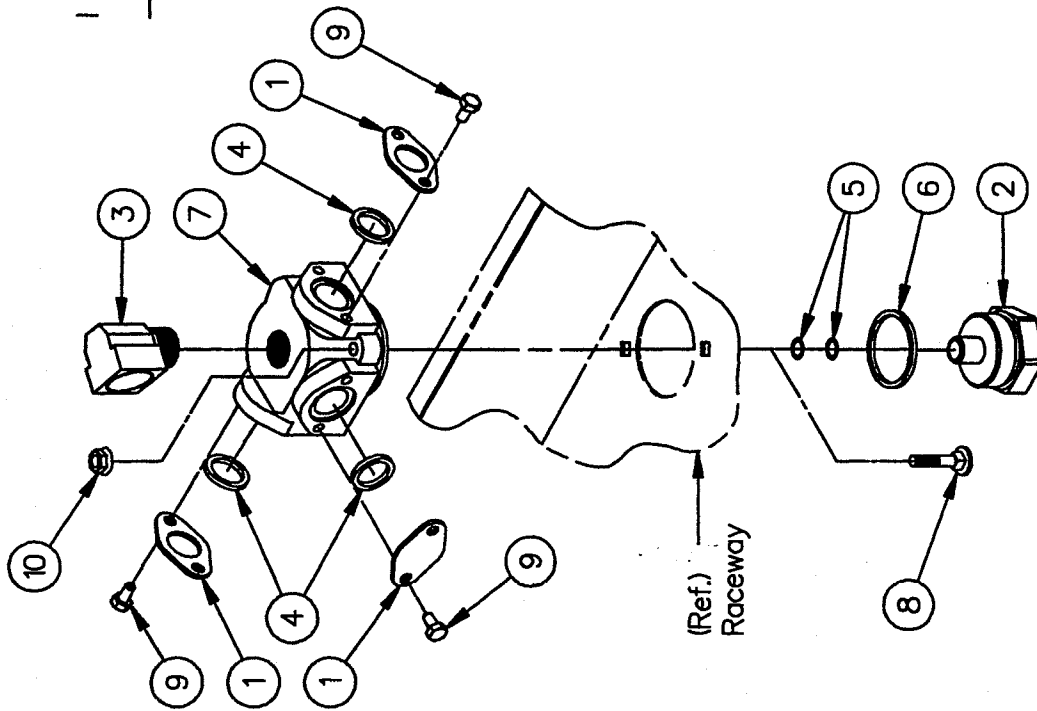
1-73979  
1 of 1

## DISCHARGE ASSEMBLY (H614A & H628A)

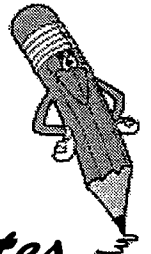
ITEM NO.	PART NO.	DESCRIPTION
1	1-120751	Washer
2	1-229672	Support Bracket
3	67-230486	Copper Tube Nipple
4	67-230486	Copper Tube Nipple (H628A Side "B")
5	69-230486	Copper Tube Nipple
6	69-230486	Copper Tube Nipple (H628A Side "B")
7	92-230486	Copper Tube Nipple
8	92-230486	Copper Tube Nipple (H628A Side "B")
9	13-313235	Gasket
10	421504-1	Outlet Tube Assembly
11	421504-1	Outlet Tube Assembly (H628A Side "B")
12	421504-2	Outlet Tube Assembly
13	421504-2	Outlet Tube Assembly (H628A Side "B")
14	421508-1	Outlet Tube Assembly
15	421508-1	Outlet Tube Assembly (H628A Side "B")
16	421867-1	Discharge Tube Assembly
17	421867-1	Discharge Tube Assembly (H628A Side "B")
18	35-50361	5/16-18 x 1" Long Hex Head Cap Screw
19	10-51491	#14 x 1/2" Long P.K. Self Tapping Screw
Reference:		
	319956	Vapor Recovery Kits
	421874	Raceway Assembly

1-73979

# OUTLET ADAPTER ASSEMBLY



Item No.	Part No.	Name Of Part
1	Vapor	
	1-132494	Flange
	1-231836	Cap
2	Adapter	
	1-227838	3/4" Non Swivel
	2-227838	1" Non Swivel
	1-232274	Flow Inverter (MaxVac)
3	1-230993	90° Elbow Inverted Flare
4	20-313235	Gasket
5	11-318940	"O" Ring
6	27-318940	"O" Ring
7	Outlet Adapter	
	2-420899	All Models Except Listed Below
	3-420899	MaxVac (Side "B")
8	39-52198	5/16-18 x 1" Long Carriage Bolt
9	05-55132	1/4-20 x 1/2" Long M-F Flange Whiz Lock Screw
10	02-54752	5/16-18 M-F Flange Whiz Lock Nut

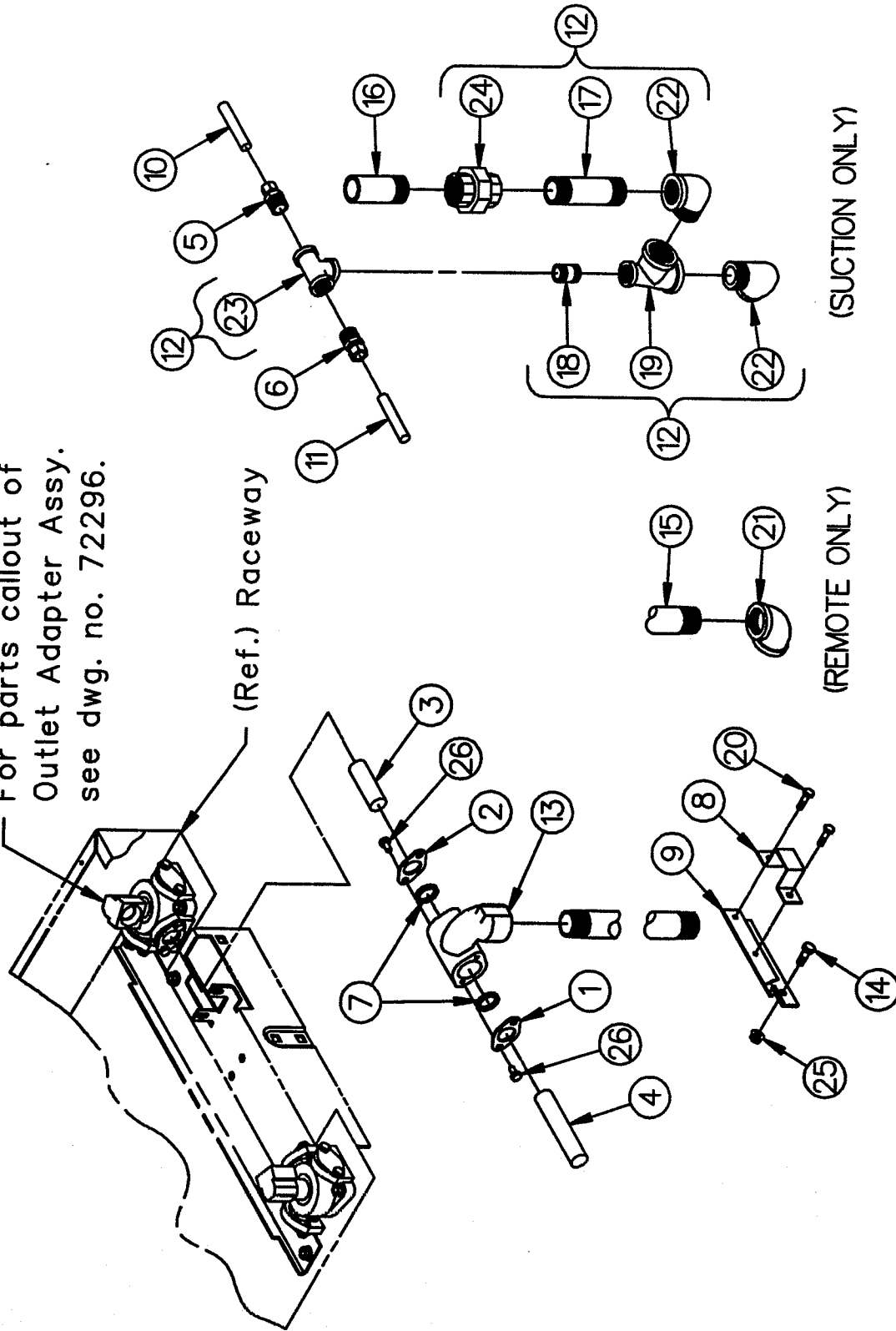


*Notes*

# VAPOR RETURN LINE ASSEMBLY

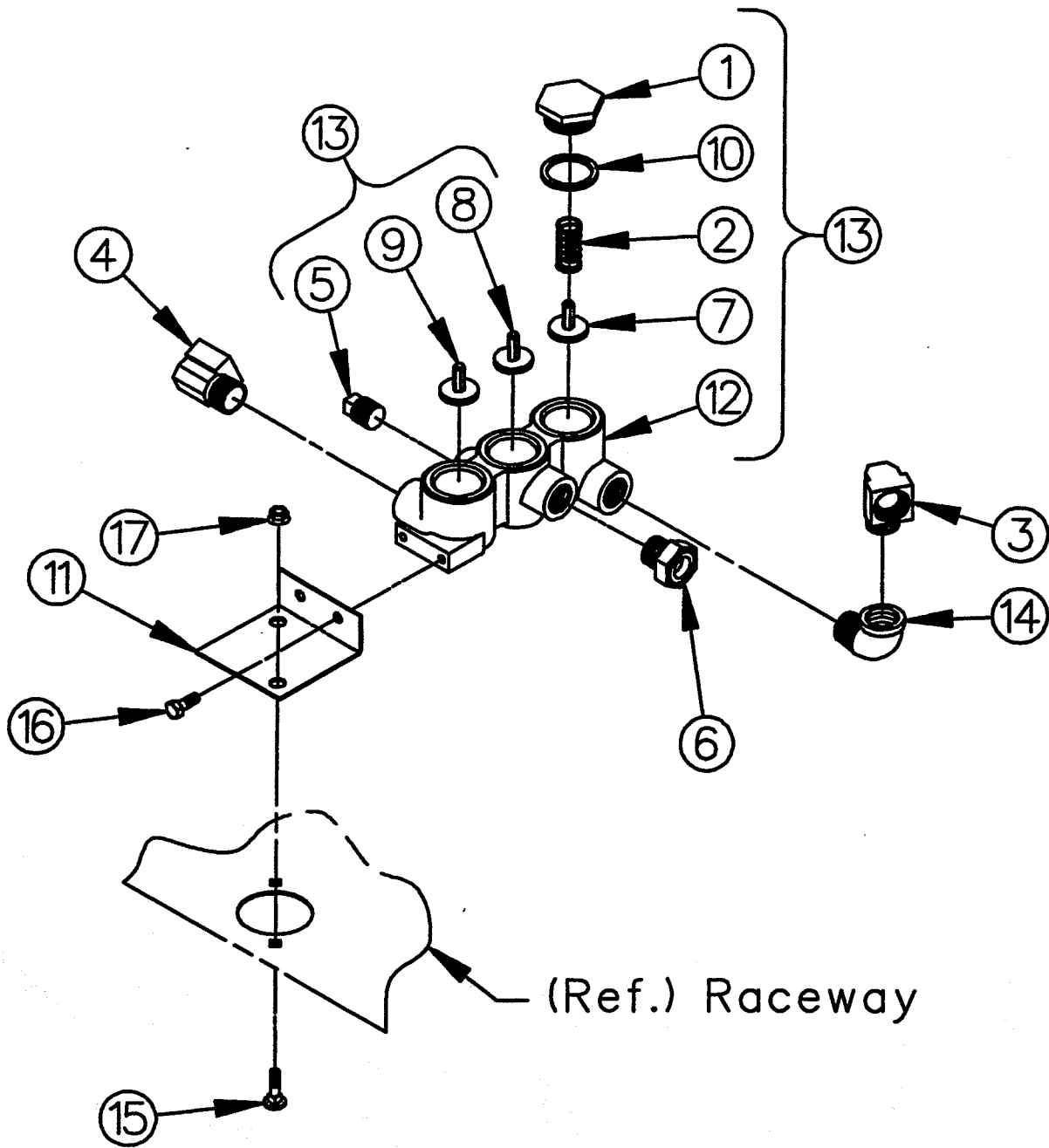
(24" RACEWAY ONLY)

For parts callout of  
Outlet Adapter Assy.  
see dwg. no. 72296.





# CHECK VALVE ASSEMBLY



1-72298

**30" CHECK VALVE ASSEMBLY**

ITEM NO.	PART NO.	DESCRIPTION
1	1-120731	Check Valve Cap
2	1-120733	Poppet Spring
3	1-230993	90° Inverted Flare Connector (30" Only)
4	1-230993	90° Inverted Flare Connector
5	1-230994	Straight Inverted Flare Connector (45" Only)
	05-51901	3/4" Pipe Plug (30" Only)
6	1-230994	Inverted Flare Connector
7	232244-1	Poppet Disc Assembly
8	232244-1	Poppet Disc Assembly (45" Only)
9	232245-1	Valve Assembly
10	6-313235	Gasket
11	1-319400	Check Valve Manifold Bracket
12	1-421055	Check Valve Body
13	<u>Check Valve Assembly</u>	
	421071-1	45"
	421071-2	30"
14	05-51710	3/4" x 90° Street Elbow (30" Only)
	1-230994	Straight Inverted Flare Connector (45" Only)
15	39-52198	5/16-18 x 1" Long Carriage Bolt
16	35-55132	5/16-18 x 5/8" Long M-F Flange Whiz-Lock Screw
17	02-54752	5/16-18 M-F Flange Whiz-Lock Nut

## Reference: Raceway Assembly

319828 30"

421591 45"

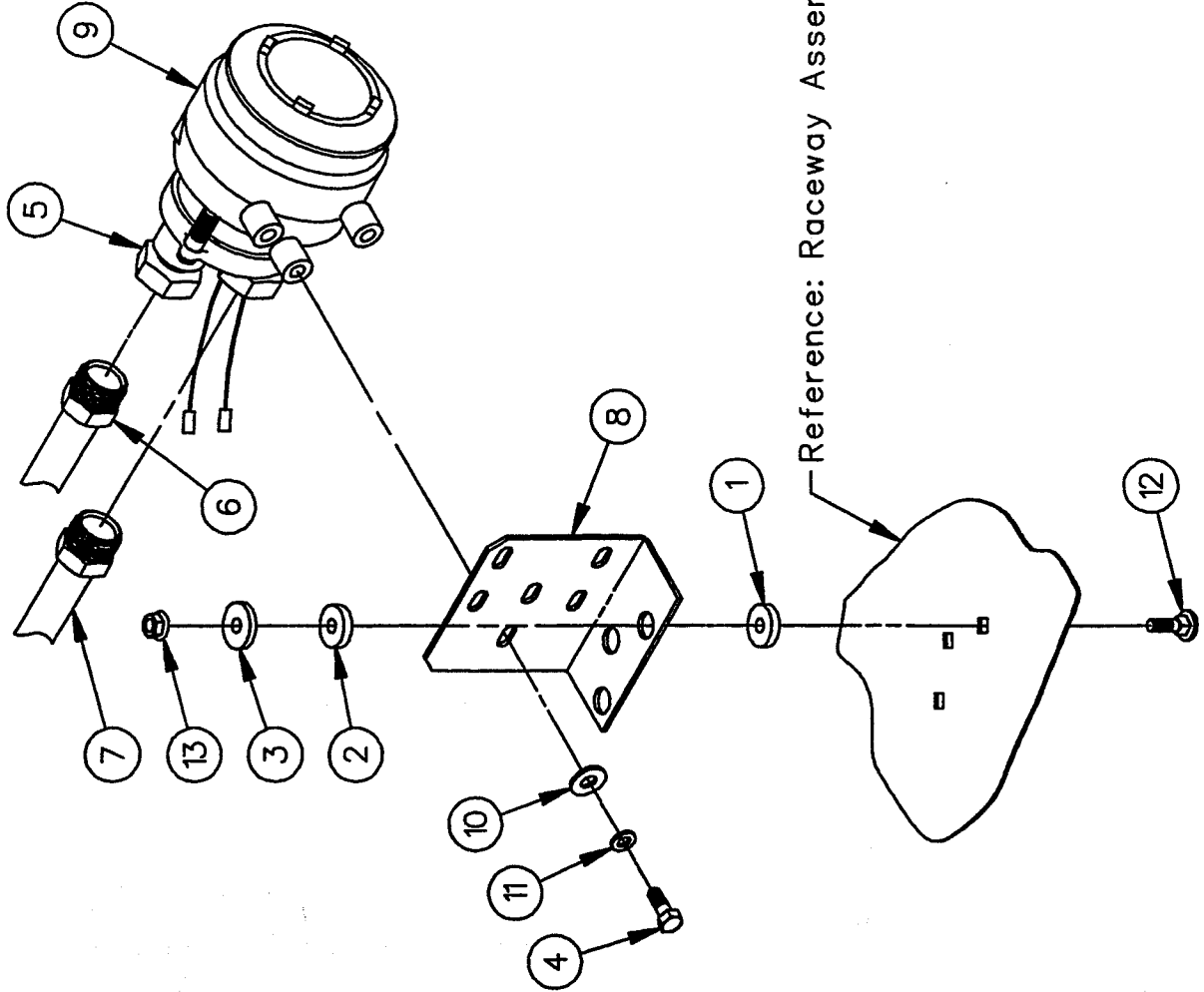
---



---

 1-72298

MaxVac DISCHARGE SYSTEM



1-72299

1-72299  
1 of 1

# MaxVac DISCHARGE SYSTEM

ITEM NO.	PART NO.	DESCRIPTION
1	1-114468	Grommet Cushion
2	1-114469	Cushion Washer
3	1-114470	Cushion Retainer
4	1-132767	M8 x 20MM Long Hex Head Machine Screw
5	2-230994	Connector Inverted Flare
6	<u>Vapor Inlet Tube Assembly</u>	
	319590-1	H413A-R & H426A-R
	319623-1	H311A-R, H312A-R, H311/22A-RB3/5, H322A-R (Side "B"), H324A-R
	319780-1	H311A-R & H322A-R (Side "A")
	319968-1	H614A-R/REB & H628A-R/REB
	421234-1	H411A-R & H422A-R
7	<u>Vapor Outlet Tube Assembly</u>	
	232319-1	H311A-R, H312A-R, H311A-RB3/5, H322A-R, H324A-R (Side "B"), H322A-RB3/5 (Side "B")
	319653-1	H411A-R & H422A-R (Side "A")
	319655-1	H426A-R (Side "B") & H628A-R/REB (Side "B")
	319660-1	H422A-R (Side "B")
	319756-1	H322A-R, H324A-R (Side "A"), H322A-RB3/5 (Side "B")
	421442-1	H413A-R, H426A-R (Side "A")
	421864-1	H614A-R/REB & H628A-R/REB (Side "A")
8	1-319643	Pump Bracket
9	<u>Pump Assembly</u>	
	421473-1	Nuovo Pignone
	2-421736	Thomas
	1-232793	Filter Screen (used on both)
10	03-50611	5/16" Plate Washer
11	14-50641	5/16" Lockwasher
12	39-52198	5/16-18 x 1" Long Carriage Bolt
13	02-54752	5/16-18 M-F Flange Whiz-Lock Nut

Reference: Raceway Assembly  
 319828 30"  
 421591 45"  
 421874 60"

1-72299

