

# Section Ten

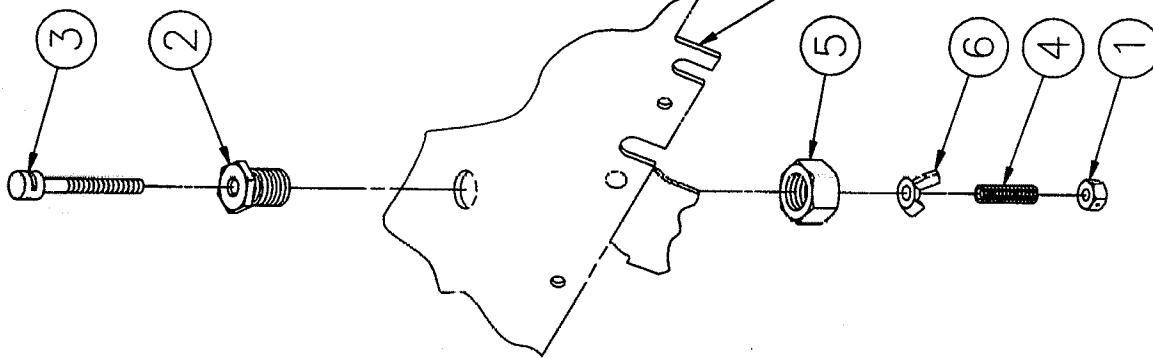
## Dials

Page  
Number

|  |                     |
|--|---------------------|
| <i>Dial Latch Assembly</i>   | 10-2                |
| <i>Dial Adapter Kit</i><br>For 3 Piece Dial (mounted to steel enclosure) | 10-3                |
| <i>Dial Assembly</i>   |                     |
| <u>Three Piece</u>   |                     |
| <b>Front Lit; Model 300, 400 &amp; 600 Series (non-A)</b>                |                     |
| Dial Assembly  | 10-4                |
| Price Per Gallon Panel Assembly  | 10-5                |
| Money/Volume Panel Assembly  |                     |
| Serial No. 108-15757 & Below   | 10-6, 10-7          |
| Serial No. 108-15758 & Above   | 10-8, 10-9, 10-10   |
| <b>Back Lit; Model 300A, 400A &amp; 600A Series (TCSA)</b>               |                     |
| Dial Assembly (Three Piece)  | 10-11               |
| Price Per Gallon Panel Assembly  | 10-12, 10-13        |
| Money/Volume Panel Assembly  | 10-14, 10-15, 10-16 |
| <u>One Piece</u>   |                     |
| TCS "A" Speaker & Presets Assembly                                       | 10-17               |
| TCS High Cash/Credit Button Assembly                                     | 10-18, 10-19        |
| TCS Low Cash/Credit Button Assembly                                      | 10-20, 10-21        |
| TCS "A" Money Volume/Dial Assembly; Back Lit                             | 10-22, 10-23        |
| <u>Mobil One Piece</u>   |                     |
| TCS Mobil; Money/Volume  | 10-38, 10-39        |
| TCS Mobil; Cash/Credit/Preset & Speaker                                  | 10-40, 10-341       |
| <u>DPT</u>   |                     |
| Dial Assembly for 45" & 60" DPT  | 10-24, 10-25        |
| <u>Model 322A-B3/B5 Product Variable Blender - One Piece</u>             |                     |
| Model 322A-B3/B5 One Piece Dial Assembly                                 | 10-26, 10-27, 10-28 |
| <u>Model 411A &amp; 422A - One Piece</u>                                 |                     |
| Speaker & Presets Assembly   | 10-29               |
| Dial Assembly, Back Lit  | 10-30, 10-31        |
| <u>Wiring Schematic</u>  |                     |
| For 30" 3 & 5 Product Dial   | 10-32, 10-33        |
| For TCS "A" Mobil Product Dial   | 10-36, 10-37        |
| <u>Speaker &amp; Call Button Wiring</u>                                  | 10-34               |
| <u>One Piece Dial Blank Assembly</u>                                     | 10-35               |

T  
C  
S  
A  
  
D  
I  
S  
P  
E  
N  
S  
E  
R

# DIAL LATCH ASSEMBLY



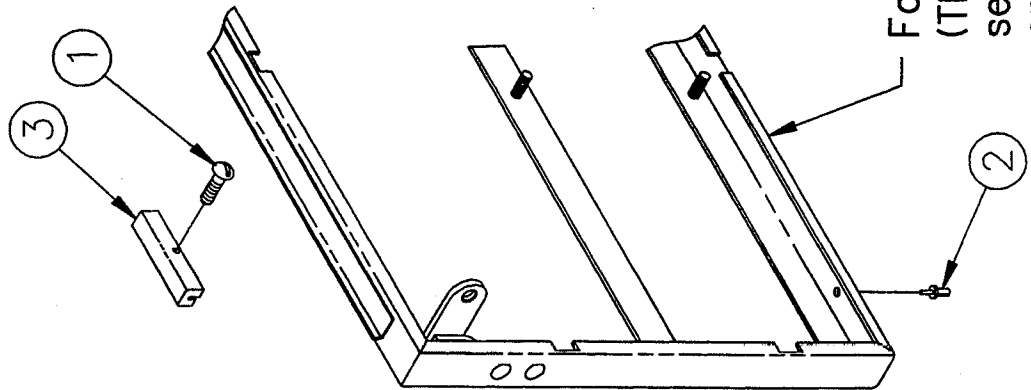
(Ref.) Barrier plate weld assembly called out on CHASSIS ASSEMBLY see dwg. no. 741277 & 741328

| Item No. | Part No. | Part Name        |
|----------|----------|------------------|
| 1        | 1-131576 | Two-way Lock Nut |
| 2        | 1-228626 | Bushing          |
| 3        | 1-228627 | Pin              |
| 4        | 3-317420 | Spring           |
| 5        | 05-50301 | 1/2-13 Hex Nut   |
| 6        | 06-50381 | #10-32 Wingnut   |

1-72206

# DIAL ADAPTER KIT

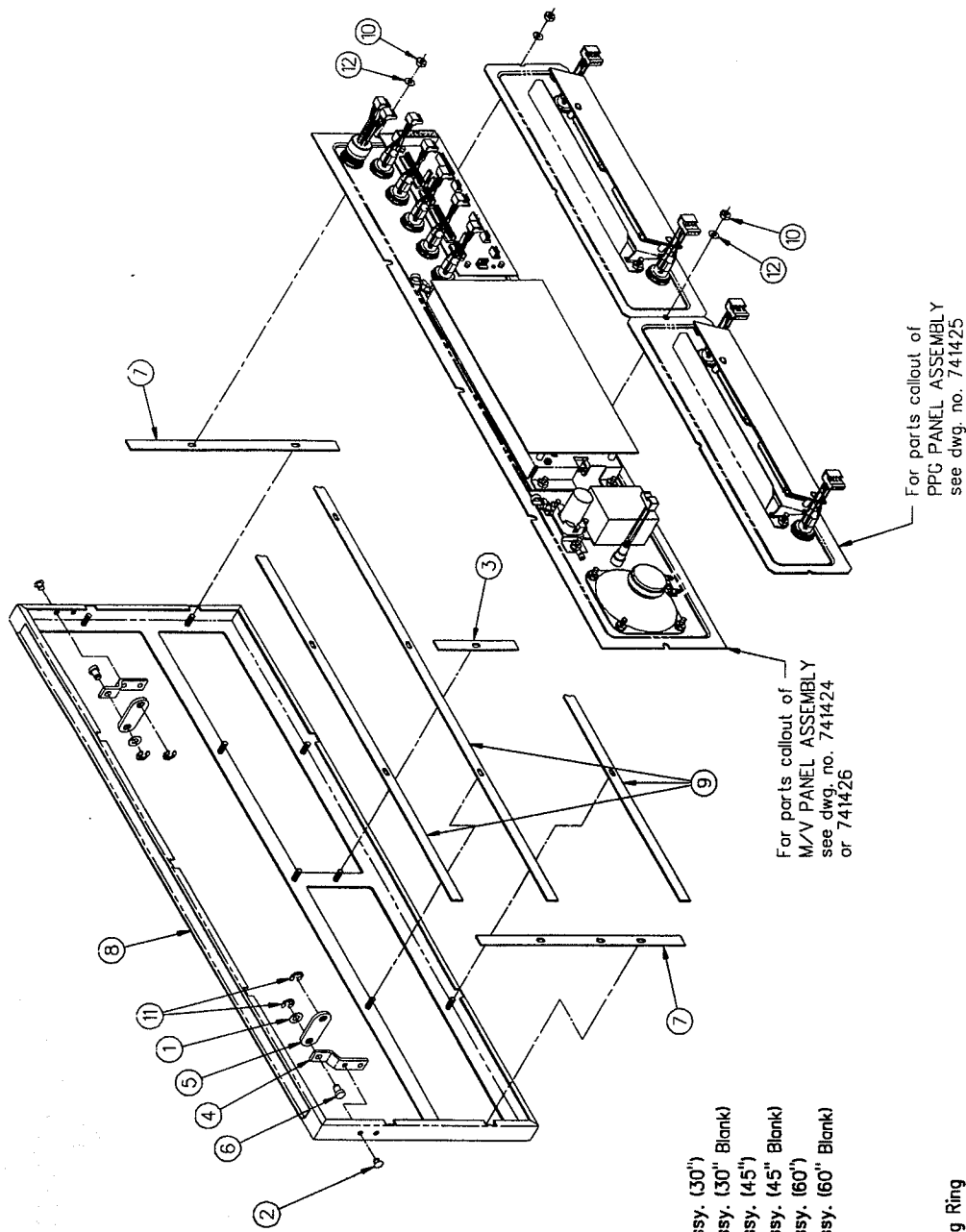
(FOR THREE PIECE DIAL MOUNTED TO STEEL ENCLOSURE)



| Item No. | Part No. | Name Of Part                         |
|----------|----------|--------------------------------------|
| 1        | 1-132448 | #6-32 Rd. Hd. Thrd.<br>Cutting Screw |
| 2        | 1-229652 | Plastic Rivet                        |
| 3        | 1-230888 | Dial Adapter                         |

# FRONT LIT DIAL ASSEMBLY (THREE PIECE)

MODEL 300, 400 & 600 SERIES

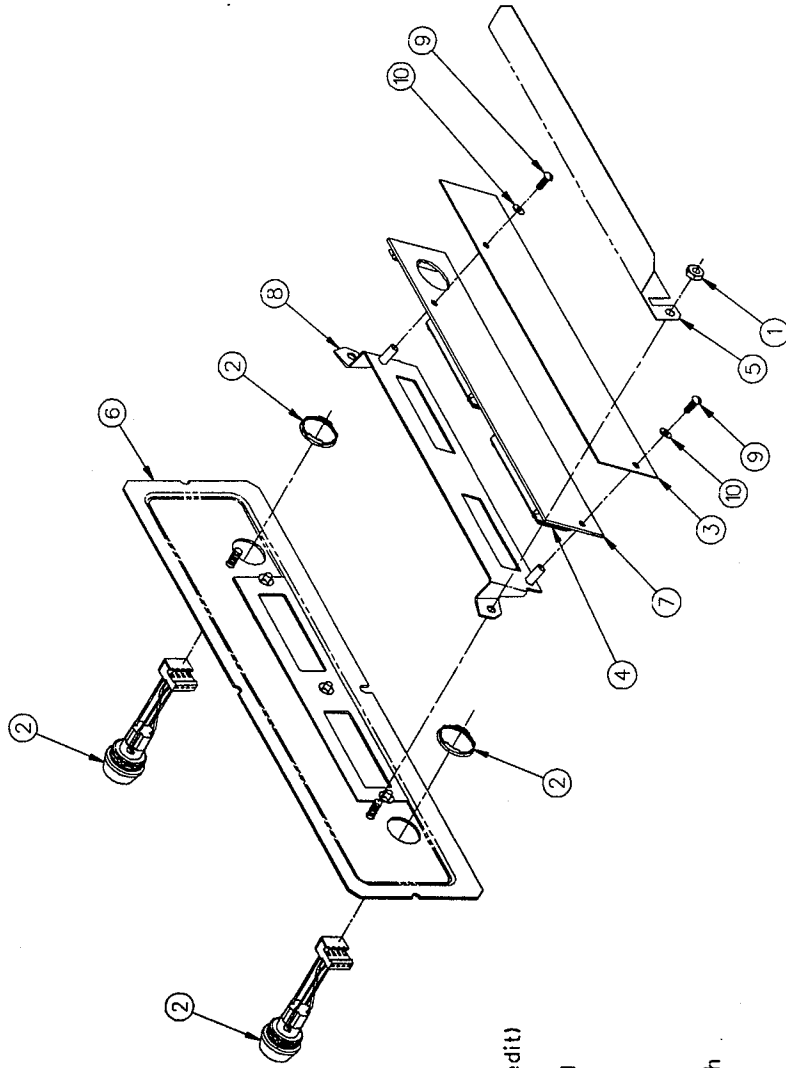


| Item No. | Part No. | Name Of Part                      |
|----------|----------|-----------------------------------|
| 1        | 1-126616 | Washer                            |
| 2        | 1-131006 | Pop Rivet                         |
| 3        | 1-131571 | Sealing Strip                     |
| 4        | 1-228640 | Bracket                           |
| 5        | 1-228641 | Link                              |
| 6        | 1-231143 | Pin                               |
| 7        | 1-228675 | Sealing Strip                     |
| 8        | 418130-1 | Dial Frame Weld Assy. (30" Blank) |
|          | 418130-2 | Dial Frame Weld Assy. (30" Blank) |
|          | 418132-1 | Dial Frame Weld Assy. (45" Blank) |
|          | 418132-2 | Dial Frame Weld Assy. (45" Blank) |
|          | 418134-1 | Dial Frame Weld Assy. (60" Blank) |
|          | 418134-2 | Dial Frame Weld Assy. (60" Blank) |
| 9        | 1-418535 | Sealing Strip (60")               |
|          | 1-418536 | Sealing Strip (45")               |
| 10       | 1-418537 | Sealing Strip (30")               |
| 11       | 05-50211 | #10-24 Hex Nut                    |
| 12       | 06-52482 | Truarc "E" Retaining Ring         |
|          | 05-50621 | #10 Plain Washer                  |

4-741284

PRICE PER GALLON PANEL ASSY. (FRONT LIT)

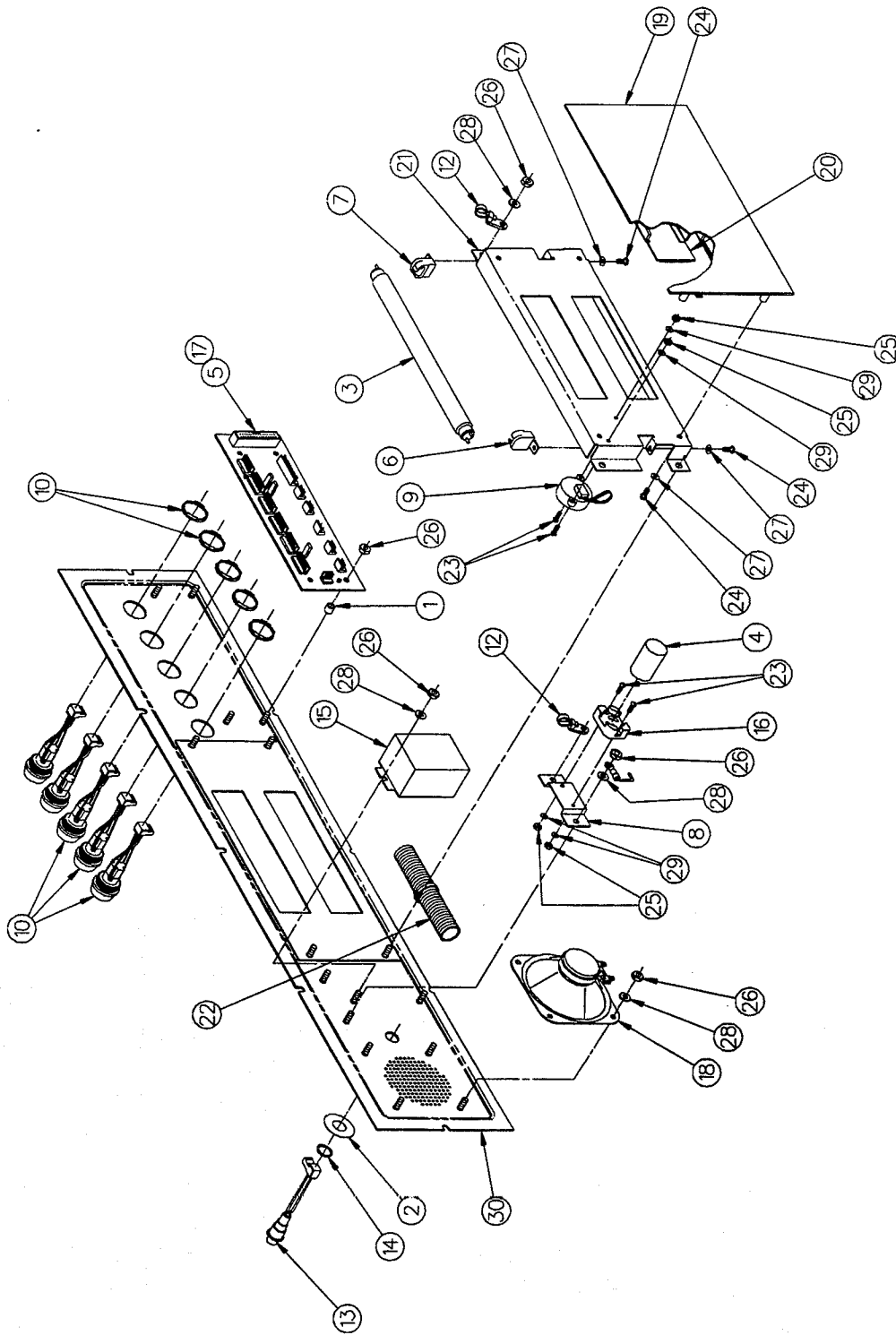
MODEL 300, 400 & 600 SERIES



| Item No. | Part No.                                     | Name Of Part  |
|----------|--|---|
| 1        | 2-228671                                     | #10-24 Capped Washer<br>Lock Nut  |
| 2        | 22867B-1<br>2-228667<br>4-228667<br>4-224893 | Push Button Switch Assy.<br>Red Lens (Only)<br>Bezel & Seal Assembly<br>Lamp (Only) |
| 3        | 230157-1                                     | Push Button Seal Kit  |
| 4        | 1-229240<br>4-315187                         | Insulator PPG Board<br>Liquid Crystal Display                                       |
| 5        | 1-317483                                     | Reflector   |
| 6        | 318203-1<br>318203-2                         | Dial & Window Assy. (Cash)<br>Dial & Window Assy. (Cash/Credit)                     |
| 7        | 3-418208<br>418193-1                         | Dial Blank<br>Cash/Credit PPG Display Board<br>Assy. (Includes Item # 4)            |
| 8        | 418500-1                                     | Cash PPG Display Board Assy.<br>(Includes Item # 4)                                 |
| 9        | 90-50201                                     | Mask Weld Assembly (PPG)<br>#6-32 X 5/16 Lg. Rd. Hd. Mach<br>Screw                  |
| 10       | 03-50761                                     | #6 Lockwasher   |

MONEY/VOLUME PANEL ASSY. (FRONT LIT)

(SERIAL NO. 108-15757 & BELOW)  
MODEL 300, 400 & 600 SERIES



1-741424

1-741424

1 of 1

**MONEY/VOLUME PANEL ASSEMBLY (Front Lit)**

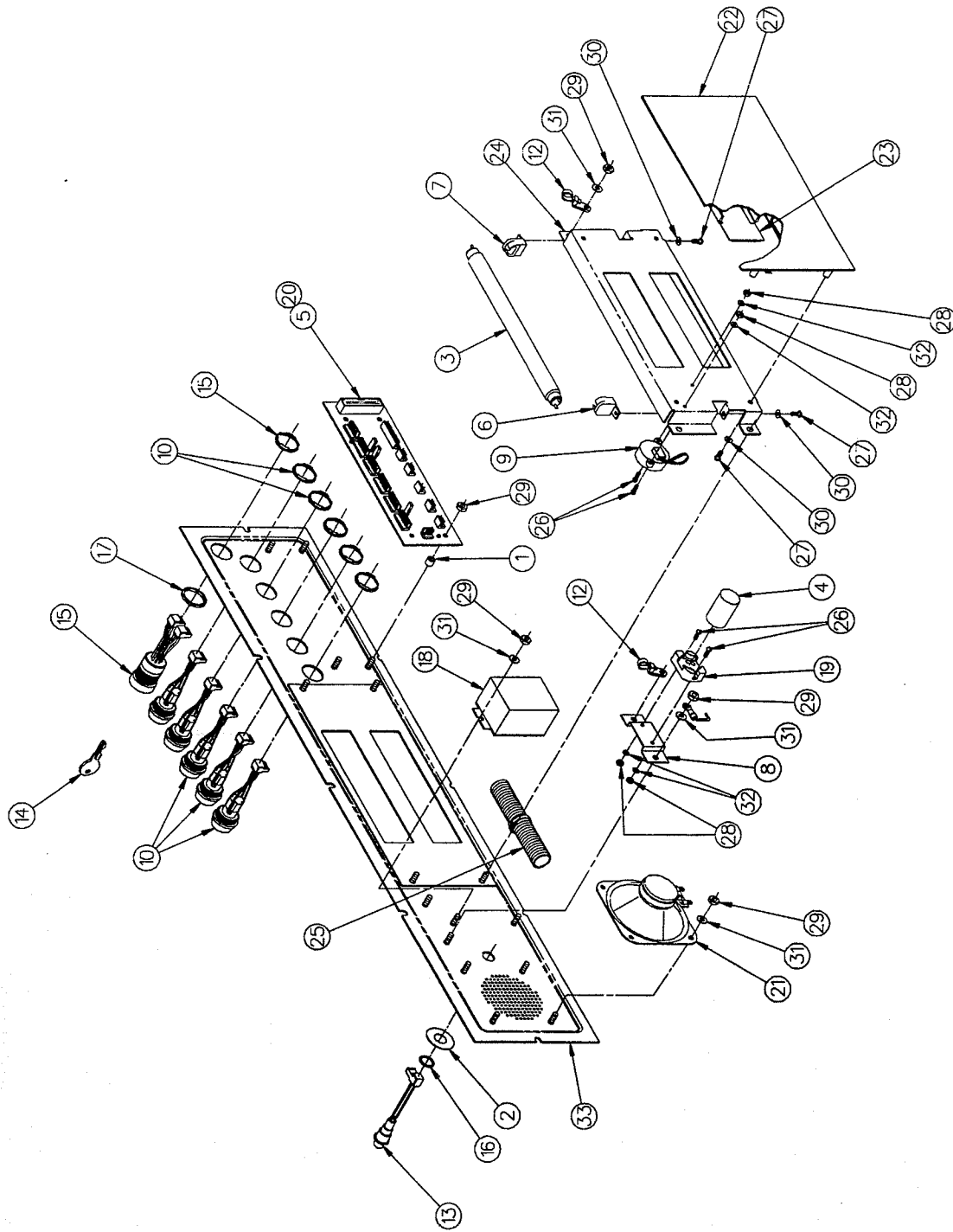
For Models 300, 400, &amp; 600 - Serial No. 108-15757 &amp; Below

| ITEM NO. | PART NO.  | DESCRIPTION                         | ITEM NO. | PART NO.   | DESCRIPTION                            | ITEM NO.  | PART NO.               | DESCRIPTION |
|----------|-----------|-------------------------------------|----------|--|--|-----------|------------------------|-------------|
| 1        | 3-131460  | Spacer                              | 18       | 1-318170   | Speaker                                | 30        | Dial & Window Assembly |             |
| 2        | 1-131941  | Assistance Plate                    | 19       | Money/Volume Board Assembly<br>(Includes Item #20) |  | 419154-1  | 30" Front              |             |
| 3        | 11-219435 | Fluorescent Lamp                    |          | 418047-1   | 110 Volt                               | 419154-2  | 30" Rear               |             |
| 4        | 1-226278  | Starter                             |          | 418047-2   | 220 Volt                               | 419154-3  | 45" Front              |             |
| 5        | 2-227359  | Connector (2 Pin)                   |          | Liquid Crystal Display                             |  | 419154-4  | 45" Rear               |             |
| 6        | 1-227766  | Lamp Holder                         | 20       | 1-418086   | 110 Volt                               | 419154-5  | 60" Front              |             |
| 7        | 3-227766  | Lamp Holder                         |          | 2-418086   | 220 Volt                               | 419154-6  | 60" Rear               |             |
| 8        | 1-228676  | Starter Socket                      |          | 1-418189   | Mask<br>(Money/Volume)                 | 419154-14 | 30"-P Rear             |             |
| 9        | 228677-1  | Mounting Bracket                    | 21       |  |  | 419154-18 | 45"-P Rear             |             |
|          |           | Buzzer Assembly<br>(Annunciator)    |          |  |  | 419154-19 | 45"-SP Front           |             |
| 10       | 228678-2  | Push Button Switch<br>Assy.(Preset) | 22       | Loom & Harness Assembly                            |  | 419154-20 | 45"-SP Rear            |             |
|          | 2-228667  | Red Lens Only                       |          | 418658-1   | 30" Front                              | 419154-22 | 60"-P Rear             |             |
|          | 4-228667  | Bezel & Seal<br>Assembly            |          | 418658-2   | 30" Rear                               | 419154-23 | 60"-SP Front           |             |
|          | 4-224893  | Lamp Only                           |          | 418658-3   | 45" Front                              | 419154-24 | 60"-SP Rear            |             |
|          | 230157-1  | Push Button Seal Kit                |          | 418658-4   | 45" Rear                               | 419154-25 | 30"-S Front            |             |
| 12       | 1-228918  | Cable Clamp                         |          | 418658-5   | 60" Front                              | 419154-26 | 30"-S Rear             |             |
| 13       | 229459-1  | Push Button Switch<br>Assembly      | 23       | 30-50001   | #4-40 x 3/8" Long<br>Rd Hd Mach Screw  | 419154-27 | 45"-S Front            |             |
| 14       | 6-38210   | "O" Ring                            | 24       | 90-50001   | #6-32 x 5/16" Long<br>Rd Hd Mach Screw | 419154-28 | 45"-S Rear             |             |
| 15       | Ballast   | 110 Volt                            | 25       | 02-50211   | #4-40 Hex Nut                          | 419154-29 | 60"-S Front            |             |
|          | 1-315556  | 240 Volt 50Hz                       | 26       | 05-50211   | #10-24 Hex Nut                         | 419154-30 | 60"-S Rear             |             |
|          | 3-315556  | 240 Volt 60Hz                       | 27       | 03-50761   | #6 Lockwasher                          | 419154-40 | 30"-P Front            |             |
|          | 4-315556  | 240 Volt 60Hz                       | 28       | 05-50761   | #10 Lockwasher                         | 419154-41 | 30"-SP Front           |             |
| 16       | 1-315557  | Starter Socket                      | 29       | 19-50761   | #4 Lockwasher                          | 419154-42 | 30"-SP Rear            |             |
| 17       | 317653-1  | Dial Interconnect<br>Board Assembly |          |  |  | 419154-45 | 45"-P Front            |             |
|          |           |                                     |          |  |  | 419154-50 | 60"-P Front            |             |

1-741424

MONEY/VOLUME PANEL ASSY. (FRONT LIT)

(SERIAL NO. 108-15758 & ABOVE)  
MODEL 300, 400 & 600 SERIES



1-741426

1-741426

1 of 2

**MONEY/VOLUME PANEL ASSEMBLY (Front Lit)****Model 300, 400, & 600 - Serial No. 108-15758 & Above**

| ITEM NO. | PART NO.  | DESCRIPTION  | ITEM NO.       | PART NO.  | DESCRIPTION | ITEM NO. | PART NO.                         | DESCRIPTION |
|----------|-----------|--|----------------|---|-------------|----------|----------------------------------|-------------|
| 1        | 3-131460  | Spacer   | 14             | <u>Key</u>  |             | 23       | <u>Liquid Crystal Display</u>    |             |
| 2        | 1-131941  | Assistance Plate                                   | 2-229680       | Attendants (372I)                                     |             | 1-418086 | 110 Volt                         |             |
| 3        | 11-219435 | Fluorescent Lamp                                   | 3-229680       | Managers (592T)                                       |             | 2-418086 | 220 Volt                         |             |
| 4        | 1-226278  | Starter  | 229681-1       | Keylock Switch & Harness Assy<br>(Includes Item # 14) |             | 1-418189 | Mask<br>(Money/Volume)           |             |
| 5        | 2-227359  | Connector (2 Pin)                                  | 6-38210        | "O" Ring  |             |          |                                  |             |
| 6        | 1-227766  | Lamp Holder  | 7-38210        | "O" Ring  |             |          |                                  |             |
| 7        | 3-227766  | Lamp Holder  | <u>Ballast</u> |   |             |          |                                  |             |
| 8        | 1-228676  | Starter Socket                                     | 1-315556       | 110 Volt  |             |          |                                  |             |
| 9        | 228677-1  | Mounting Brckt<br>Buzzer Assembly<br>(Annunciator) | 3-315556       | 240 Volt 50Hz   |             |          |                                  |             |
| 10       | 228678-2  | Push Button<br>Switch                              | 4-315556       | 240 Volt 60Hz   |             |          |                                  |             |
|          | 2-228667  | Assy.(Preset)                                      | 1-315557       | Starter Socket  |             | 30-50001 | #4-40 x 3/8"                     |             |
|          | 4-228667  | Red Lens Only                                      | 317653-1       | Dial Interconnect                                     |             | 90-50001 | Long Round Head<br>Machine Screw |             |
|          | 4-224893  | Bezel & Seal<br>Assembly                           | 1-318170       | Board Assembly<br>Speaker                             |             |          |                                  |             |
|          | 230157-1  | Lamp Only<br>Push Button                           |                |   |             |          |                                  |             |
| 12       | 1-228918  | Seal Kit   |                |   |             | 02-50211 | Long Round Head<br>Machine Screw |             |
| 13       | 229459-1  | Cable Clamp<br>Push Button<br>Switch Assy          |                |   |             | 05-50211 | #4-40 Hex Nut                    |             |
|          |           |  |                |   |             | 03-50761 | #10-24 Hex Nut                   |             |
|          |           |  |                |   |             | 05-50761 | #6 Lockwasher                    |             |
|          |           |  |                |   |             | 19-50761 | #10 Lockwasher                   |             |
|          |           |  |                |   |             | 19-50761 | #4 Lockwasher                    |             |

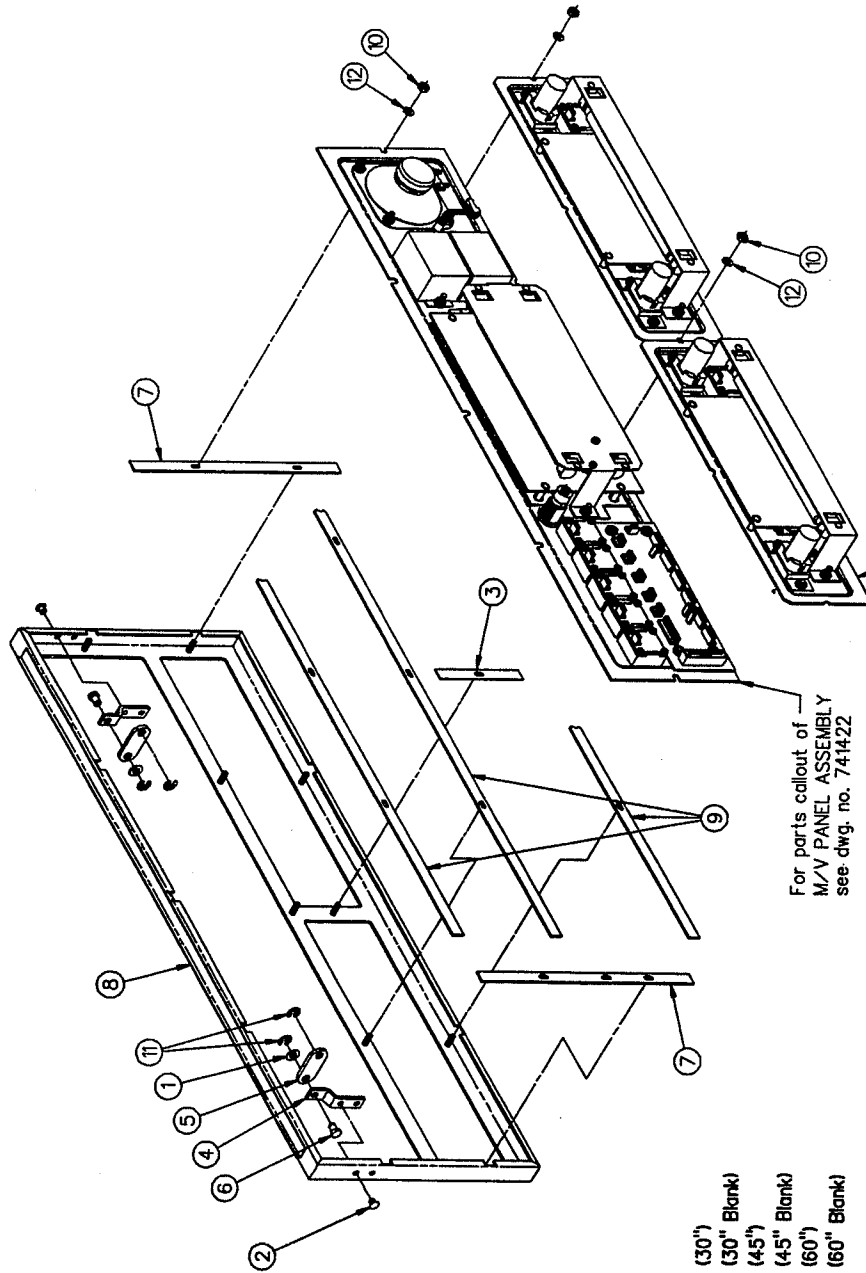
Continued on the next page.

# MONEY/VOLUME PANEL ASSEMBLY (Front Lit) - Continued

Model 300, 400, & 600 - Serial No. 108-15758 & Above

| ITEM NO. | PART NO.  | DESCRIPTION                       | ITEM NO.  | PART NO.               | DESCRIPTION            | ITEM NO.  | PART NO.               | DESCRIPTION            |
|----------|-----------|-----------------------------------|-----------|------------------------|------------------------|-----------|------------------------|------------------------|
| 33       |           | <u>Dial &amp; Window Assembly</u> |           |                        |                        |           |                        |                        |
|          | 419154-2  | 30" Rear                          | 419154-16 | 30"-SP Rear            | (No Assistance Button) | 419154-38 | 30"-S Front            | (No Assistance Button) |
|          | 419154-4  | 45" Rear                          | 419154-17 | 45"-P Front            |                        | 419154-39 | 30"-S Front            |                        |
|          | 419154-6  | 60" Rear                          | 419154-18 | 45"-P Rear             |                        | 419154-42 | 30"-SP Rear            |                        |
|          | 419154-7  | 30"-S Front                       | 419154-20 | 45"-SP Rear            |                        | 419154-43 | 30"-SP Front           |                        |
|          |           | (No Assistance Button)            | 419154-21 | 60"-P Front            |                        |           | (No Assistance Button) |                        |
|          | 419154-8  | 30"-S Rear                        | 419154-22 | 60"-P Rear             |                        | 419154-44 | 30"-SP Front           |                        |
|          |           | (No Assistance Button)            | 419154-24 | 60"-SP Rear            |                        | 419154-47 | 45"-SP Rear            |                        |
|          | 419154-9  | 45"-S Front                       |           | (No Assistance Button) |                        | 419154-48 | 45"-SP Front           |                        |
|          |           | (No Assistance Button)            | 419154-26 | 30"-S Rear             |                        |           | (No Assistance Button) |                        |
|          | 419154-10 | 45"-S Rear                        | 419154-28 | 45"-S Rear             |                        | 419154-49 | 45"-SP Front           |                        |
|          |           | (No Assistance Button)            | 419154-30 | 60"-S Rear             |                        | 419154-52 | 60"-SP Rear            |                        |
|          | 419154-11 | 60"-S Front                       | 419154-31 | 45" Front              |                        | 419154-53 | 60"-SP Front           |                        |
|          |           | (No Assistance Button)            | 419154-32 | 45"-S Front            |                        |           | (No Assistance Button) |                        |
|          | 419154-12 | 60"-S Rear                        |           | (No Assistance Button) |                        | 419154-54 | 60"-SP Front           |                        |
|          |           | (No Assistance Button)            | 419154-33 | 45"-S Front            |                        |           |                        |                        |
|          | 419154-13 | 30"-P Front                       | 419154-34 | 60" Front              |                        |           |                        |                        |
|          | 419154-14 | 30"-P Rear                        | 419154-35 | 60"-S Front            |                        |           |                        |                        |
|          | 419154-15 | 30"-SP Front                      |           | (No Assistance Button) |                        |           |                        |                        |
|          |           | (No Assistance Button)            | 419154-36 | 60"-S Front            |                        |           |                        |                        |
|          |           |                                   | 419154-37 | 30" Front              |                        |           |                        |                        |

**BACK LIT DIAL ASSEMBLY (THREE PIECE)**  
**MODEL 300A, 400A & 600A SERIES**



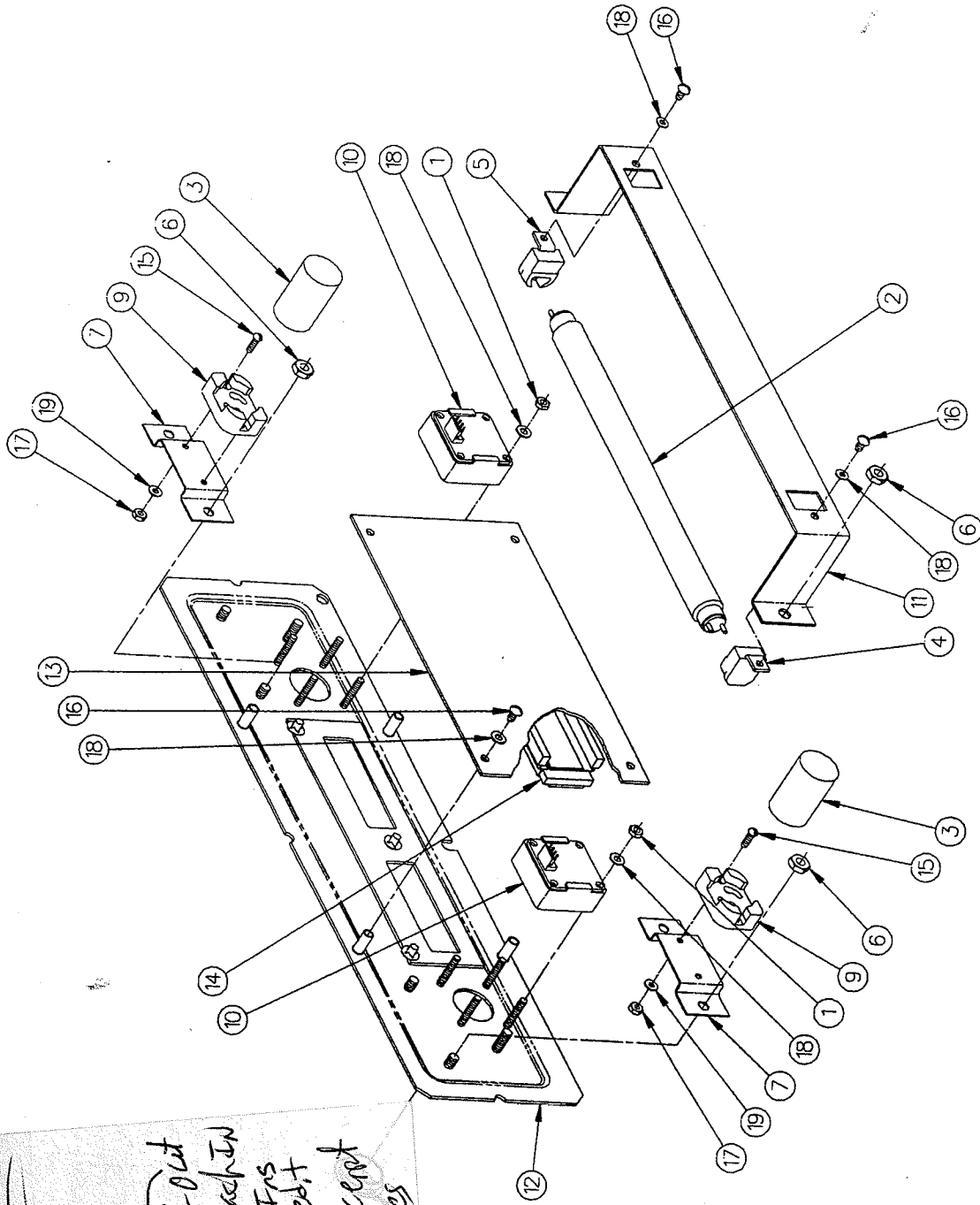
3-741313

For parts callout of  
 PPG PANEL ASSEMBLY  
 see dwg. no. 741423

For parts callout of  
 M/V PANEL ASSEMBLY  
 see dwg. no. 741422

| Item No. | Part No. | Name Of Part                      |
|----------|----------|-----------------------------------|
| 1        | 1-126616 | Washer                            |
| 2        | 1-131006 | Pop Rivet                         |
| 3        | 1-131571 | Sealing Strip                     |
| 4        | 1-228640 | Bracket                           |
| 5        | 1-228641 | Link                              |
| 6        | 1-231143 | Pin                               |
| 7        | 1-228675 | Sealing Strip                     |
| 8        | 418130-1 | Dial Frame Weld Assy. (30" Blank) |
|          | 418130-2 | Dial Frame Weld Assy. (30" Blank) |
|          | 418132-1 | Dial Frame Weld Assy. (45" Blank) |
|          | 418132-2 | Dial Frame Weld Assy. (45" Blank) |
|          | 418134-1 | Dial Frame Weld Assy. (60" Blank) |
|          | 418134-2 | Dial Frame Weld Assy. (60" Blank) |
| 9        | 1-418535 | Sealing Strip (60")               |
|          | 1-418536 | Sealing Strip (45")               |
|          | 1-418537 | Sealing Strip (30")               |
| 10       | 05-50211 | #10-24 Hex Nut                    |
| 11       | 06-52482 | Truarc "E" Retaining Ring         |
| 12       | 05-50621 | #10 Plain Washer                  |

PRICE PER GALLON PANEL ASSEMBLY (BACK LIT)  
 MODEL 300A, 400A & 600A SERIES



MGR Name: *DIS*  
 Password: *0080080*  
 1 2 3 — *POE out*  
 4 5 6 *pay cash in*  
 7 8 9 *pay ins*  
 10 11 12 *credit*  
 13 14 15 *receipt*  
 16 17 18 *Yes*  
 19 *No*

3-74 1423

**PRICE PER GALLON PANEL ASSEMBLY (BACK LIT)  
MODEL 300A, 400A & 600A SERIES**

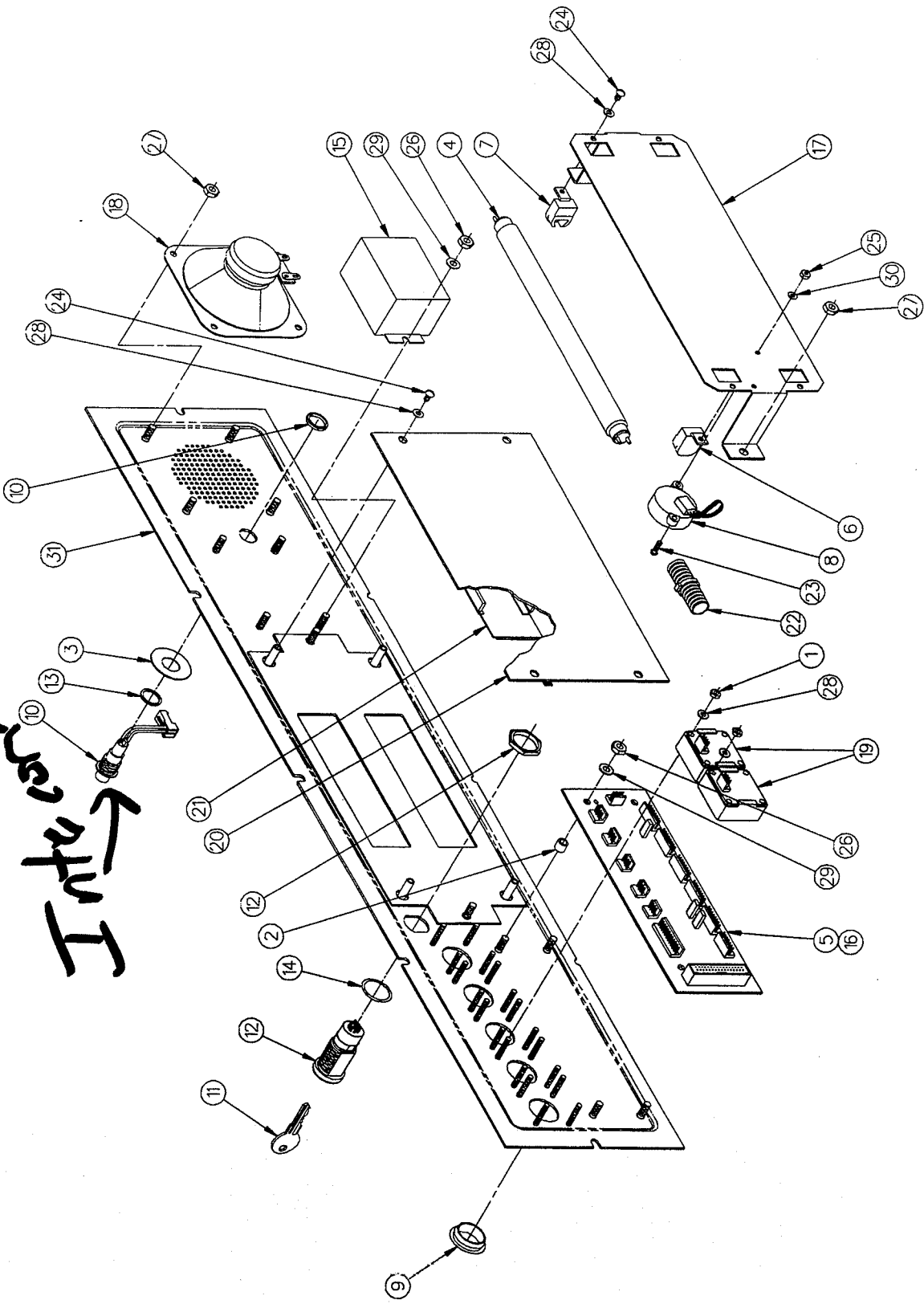
| ITEM NO. | PART NO.  | DESCRIPTION   | ITEM NO. | PART NO. | DESCRIPTION  |
|----------|-----------|---|----------|----------|--|
| 1        | 1-128791  | #6-32 Special Nut                                       | 13       |          | Price Per Gallon Display Board Assembly<br>(Includes Item #14) |
| 2        | 11-219435 | Fluorescent Lamp  | 14       | 2-419225 | Cash/Credit (Decimals)   |
| 3        | 1-226278  | Starter   | 15       | 30-50001 | Cash (Decimals)  |
| 4        | 1-227766  | Lamp Holder   | 16       | 90-50001 | Cash/Credit (Commas)   |
| 5        | 3-227766  | Lamp Holder   | 17       | 02-50211 | Cash (Commas)  |
| 6        | 2-228671  | #10-24 Capped Washer Locknut                            | 18       | 03-50761 | Liquid Crystal Display   |
| 7        | 1-228676  | Starter Socket Mounting Bracket                         | 19       | 19-50761 | #4-40 x 3/8" Long Round Head<br>Machine Screw                  |
| 8        | 1-229621  | Switch Grommet  |          |          | #6-32 x 5/16" Long Round Head<br>Machine Screw                 |
| 9        | 1-315557  | Starter Socket  |          |          | #4-40 Hex Nut  |
| 10       |           | <u>Push Button Switch Assembly</u> <i>Push to start</i> |          |          | #6 Lockwasher  |
|          | 1-319195  | Red Unlighted   |          |          |  |
|          | 2-319195  | Red Lighted   |          |          |  |
| 11       | 1-318319  | Price Per Gallon Light Bracket                          |          |          |  |
| 12       |           | <u>Dial &amp; Window Assembly</u>                       |          |          |  |
|          | 318203-3  | Cash  |          |          |  |
|          | 318203-4  | Cash/Credit   |          |          |  |
|          | 318203-5  | Dial Blank  |          |          |  |

*Life Savers*

**3-741423**

**MONEY/VOLUME PANEL ASSY. (BACK LIT)**  
**MODEL 300A, 400A & 600A SERIES**

*Intu car*



1-741422

**MONEY/VOLUME PANEL ASSY. (BACK LIT)**  
**MODELS 300A, 400A & 600A SERIES**

| ITEM NO. | PART NO.       | DESCRIPTION  | ITEM NO. | PART NO.                    | DESCRIPTION | ITEM NO.               | PART NO. | DESCRIPTION |
|----------|----------------|--|----------|-----------------------------|-------------|------------------------|----------|-------------|
| 1        | 1-128791       | #6-32 Special Nut                                      | 19       | Push Button Switch Assembly | 31          | Dial & Window Assembly |          |             |
| 2        | 3-131460       | Spacer   | 1-319195 | Red (Unlighted)             | 420248-1    | 30"A Front             |          |             |
| 3        | 1-131941       | Assistance Plate                                       | 2-319195 | Red (Lighted)               | 420248-2    | 30"A Rear              |          |             |
| 4        | 11-219435      | Fluorescent Lamp                                       |          |                             | 420248-3    | 45"A Front             |          |             |
| 5        | 2-227359       | Connector (2 Pin)                                      |          |                             | 420248-4    | 45"A Rear              |          |             |
| 6        | 1-227766       | Lamp Holder  |          |                             | 420248-5    | 60"A Front             |          |             |
| 7        | 3-227766       | Lamp Holder  |          |                             | 420248-6    | 60"A Rear              |          |             |
| 8        | 228677-1       | Buzzer Assembly (Annunciator)                          |          |                             | 420248-7    | 30"A-S Front           |          |             |
| 9        | 1-229621       | Switch Grommet   | 419091-1 | Decimals                    | 420248-8    | 30"A-S Rear            |          |             |
| 10       | 229459-1       | Push Button Switch Assembly                            | 419091-2 | Commas                      | 420248-9    | 45"A-S Front           |          |             |
| 11       | <b>Key</b>     |  | 3-419225 | Liquid Crystal Display      | 420248-10   | 45"A-S Rear            |          |             |
|          | 2-229680       | Attendants (372I)                                      |          |                             | 420248-11   | 60"A-S Front           |          |             |
|          | 3-229680       | Managers (592I)  |          |                             | 420248-12   | 60"A-S Rear            |          |             |
| 12       | 230187-1       | Keylock Switch & Harness Assembly (Includes Item # 11) |          |                             | 420248-13   | 30"A-P Front           |          |             |
| 13       | 6-38210        | "O" Ring   |          |                             | 420248-14   | 30"A-P Rear            |          |             |
| 14       | 7-38210        | "O" Ring   |          |                             | 420248-15   | 30"A-SP Front          |          |             |
| 15       | <b>Ballast</b> |  |          |                             | 420248-16   | 30"A-SP Rear           |          |             |
|          | 1-315556       | 110 Volt   |          |                             | 420248-17   | 45"A-P Front           |          |             |
|          | 3-315556       | 240 Volt 50Hz  |          |                             | 420248-18   | 45"A-P Rear            |          |             |
|          | 4-315556       | 240 Volt 60Hz  |          |                             | 420248-19   | 45"A-SP Front          |          |             |
| 16       | 317653-1       | Dial Interconnect Board Assembly                       |          |                             | 420248-20   | 45"A-SP Rear           |          |             |
| 17       | 1-318152       | Money/Volume Light Bracket                             |          |                             | 420248-21   | 60"A-P Front           |          |             |
| 18       | 1-318170       | Speaker  |          |                             | 420248-22   | 60"A-P Rear            |          |             |
|          |                |  |          |                             | 420248-23   | 60"A-SP Front          |          |             |
|          |                |  |          |                             | 420248-24   | 60"A-SP Rear           |          |             |
|          |                |  |          |                             | 420248-25   | 45"A-S Front           |          |             |
|          |                |  |          |                             |             | (No Assistance Button) |          |             |
|          |                |  |          |                             | 420248-26   | 45"A-S Rear            |          |             |
|          |                |  |          |                             |             | (No Assistance Button) |          |             |
|          |                |  |          |                             | 420248-27   | 45"A-SP Front          |          |             |
|          |                |  |          |                             |             | (No Assistance Button) |          |             |
|          |                |  |          |                             | 420248-28   | 45"A-SP Rear           |          |             |
|          |                |  |          |                             |             | (No Assistance Button) |          |             |

Continued on the next page.

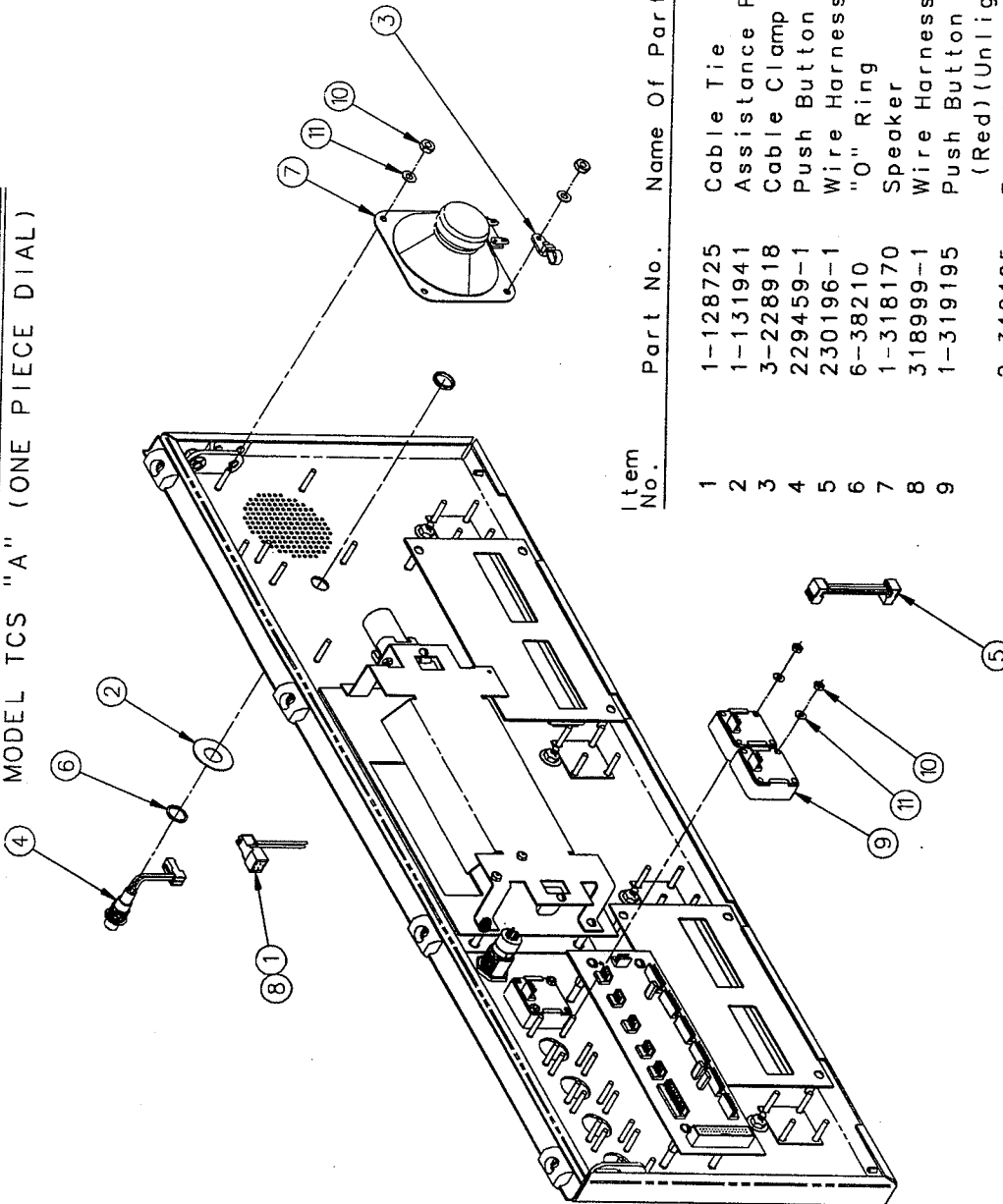
*Amoco Key harness kit 7-33618-1  
Amoco Corp in Chicago - Andy Zards*

**MONEY/VOLUME PANEL ASST. (BACK LIT) - Continued**  
**MODELS 300A, 400A & 600A SERIES**

| ITEM NO. | PART NO.  | DESCRIPTION                                   | ITEM NO. | PART NO.  | DESCRIPTION                                   |
|----------|-----------|---|----------|-----------|---|
| 31       |           | <u>Dial &amp; Window Assembly (continued)</u> | 31       |           | <u>Dial &amp; Window Assembly (continued)</u> |
|          | 420248-29 | 45"A Front<br>(No Stop Button)                |          | 420761-4  | 45"A-ST Front<br>(No Assistance Button)       |
|          | 420248-30 | 45"A Rear<br>(No Stop Button)                 |          | 420761-5  | 45"A-ST Rear<br>(No Assistance Button)        |
|          | 420248-31 | 60"A-S Front<br>(No Assistance Button)        |          | 420761-6  | 45"A-SPT Front<br>(No Assistance Button)      |
|          | 420248-32 | 60"A-S Rear<br>(No Assistance Button)         |          | 420761-7  | 45"A-SPT Rear<br>(No Assistance Button)       |
|          | 420248-33 | 60"A-SP Front<br>(No Assistance Button)       |          | 420761-8  | 60"A-T Front<br>(No Assistance Button)        |
|          | 420248-34 | 60"A-SP Rear<br>(No Assistance Button)        |          | 420761-9  | 60"A-T Rear<br>(No Assistance Button)         |
|          | 420248-35 | 30"A-S Front<br>(No Assistance Button)        |          | 420761-10 | 60"A-PT Front<br>(No Assistance Button)       |
|          | 420248-36 | 30"A-S Rear<br>(No Assistance Button)         |          | 420761-11 | 60"A-PT Rear<br>(No Assistance Button)        |
|          | 420248-37 | 30"A-SP Front<br>(No Assistance Button)       |          | 420761-12 | 60"A-ST Front<br>(No Assistance Button)       |
|          | 420248-38 | 30"A-SP Rear<br>(No Assistance Button)        |          | 420761-13 | 60"A-ST Rear<br>(No Assistance Button)        |
|          | 420248-39 | 30"A Front<br>(No Stop Button)                |          | 420761-14 | 60"A-SPT Front<br>(No Assistance Button)      |
|          | 420248-40 | 30"A Rear<br>(No Stop Button)                 |          | 420761-15 | 60"A-SPT Rear<br>(No Assistance Button)       |
|          | 420248-41 | 45"A-T Front<br>(No Assistance Button)        |          | 420761-16 | 60"A-ST Front<br>(No Assistance Button)       |
|          | 420248-42 | 45"A-T Rear<br>(No Assistance Button)         |          | 420761-17 | 60"A-ST Rear<br>(No Assistance Button)        |
|          | 420248-43 | 45"A-PT Front<br>(No Assistance Button)       |          | 420761-18 | 60"A-SPT Front<br>(No Assistance Button)      |
|          | 420248-44 | 45"A-PT Rear<br>(No Assistance Button)        |          | 420761-19 | 60"A-SPT Rear<br>(No Assistance Button)       |
|          | 420248-45 | 45"A-ST Front<br>(No Assistance Button)       |          |           |   |
|          | 420761-1  | 45"A-ST Rear<br>(No Assistance Button)        |          |           |   |
|          | 420761-2  | 45"A-SPT Front<br>(No Assistance Button)      |          |           |   |
|          | 420761-3  | 45"A-SPT Rear<br>(No Assistance Button)       |          |           |   |

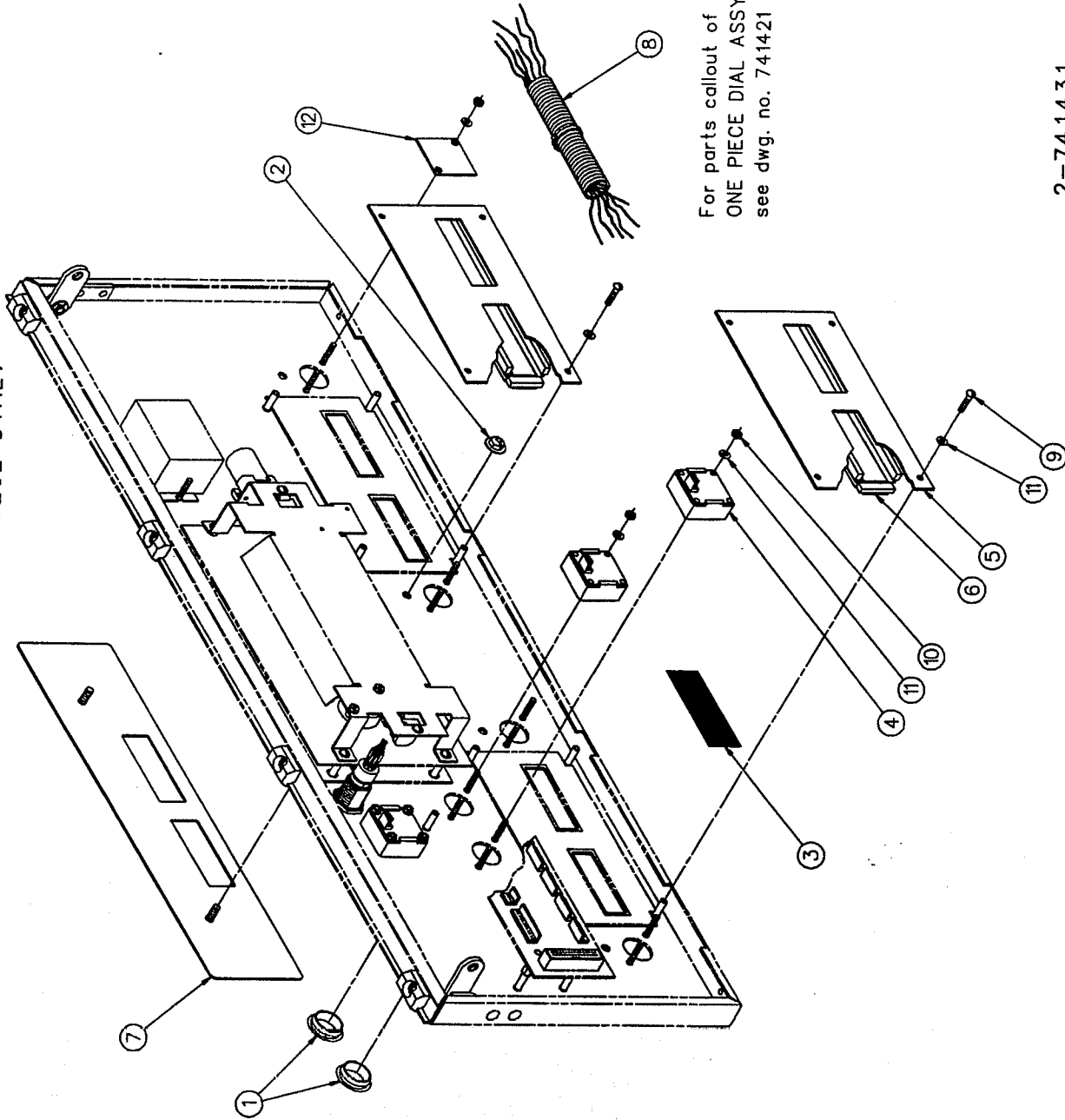
**2-741422**

**SPEAKER & PRESETS ASSEMBLY**  
**MODEL TCS "A" (ONE PIECE DIAL)**



| Item No. | Part No. | Name Of Part                               |
|----------|----------|--|
| 1        | 1-128725 | Cable Tie                                  |
| 2        | 1-131941 | Assistance Plate                           |
| 3        | 3-228918 | Cable Clamp                                |
| 4        | 229459-1 | Push Button Switch Assy.                   |
| 5        | 230196-1 | Wire Harness Assembly                      |
| 6        | 6-38210  | "O" Ring                                   |
| 7        | 1-318170 | Speaker                                    |
| 8        | 318999-1 | Wire Harness Assembly                      |
| 9        | 1-319195 | Push Button Switch Assy. (Red)(Unlighted)  |
|          | 2-319195 | Push Button Switch Assy. (Red)(Lighted)    |
|          | 3-319195 | Push Button Switch Assy. (Gray)(Unlighted) |
| 10       | 03-50211 | #6-32 Hex Nut                              |
| 11       | 03-50761 | #6 Shakeproof Lockwasher                   |

**HIGH CASH/CREDIT BUTTON ASSEMBLY**  
 (FOR TCS ONE PIECE DIAL)



For parts callout of  
 ONE PIECE DIAL ASSY.  
 see dwg. no. 741421

2-741431

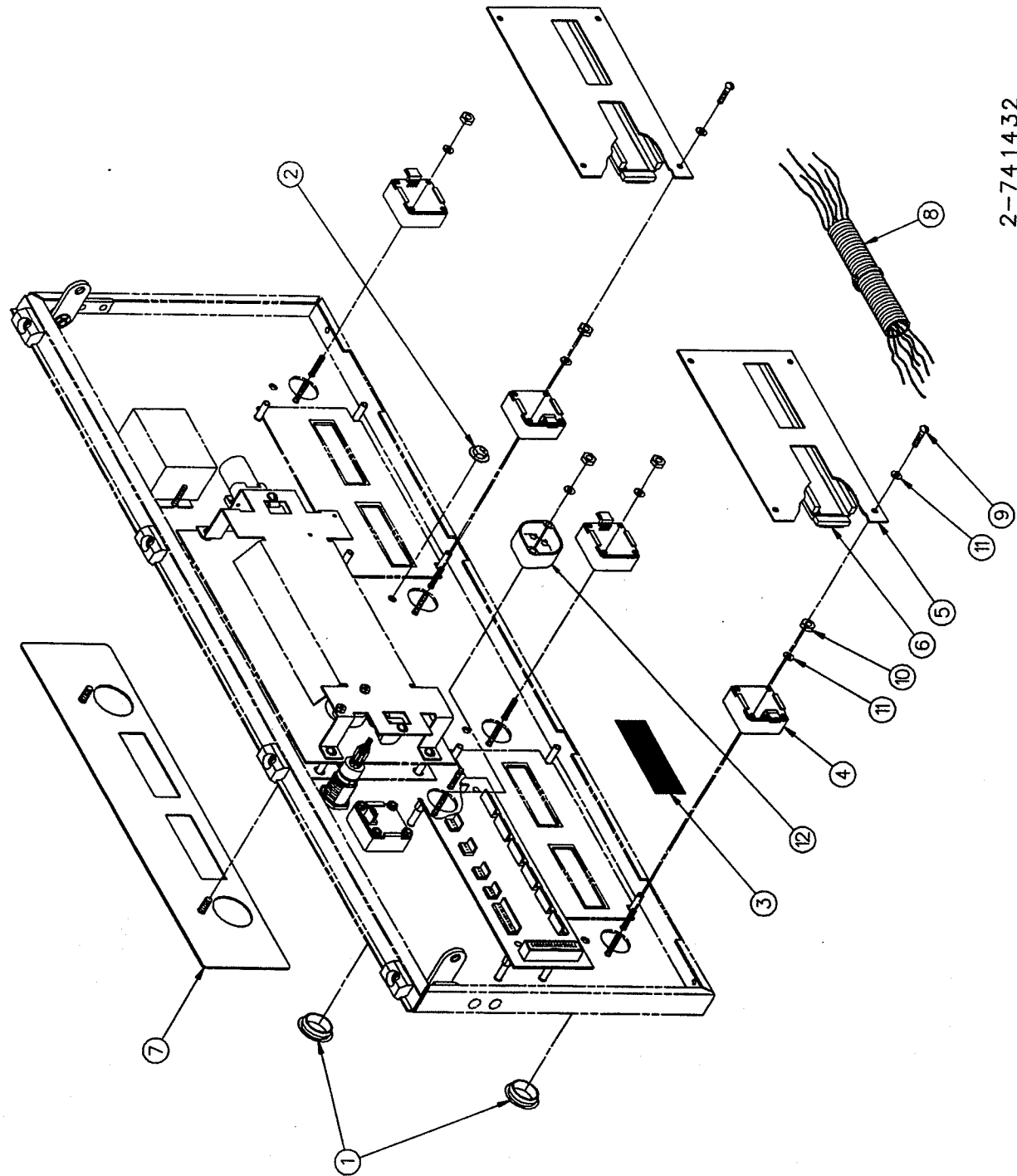
2-741431  
1 of 1

# HIGH CASH/CREDIT BUTTON ASSEMBLY (TCS ONE PIECE DIAL)

| ITEM NO. | PART NO.                                 | DESCRIPTION                                 |
|----------|--|---|
| 1        | 1-229621                                 | Switch Grommet                              |
| 2        | 1-230432                                 | #10-24 Capped Washer Locknut (With Seal)    |
| 3        | 1-230810                                 | Light Filter                                |
| 4        | <u>Push Button Switch Assembly</u>       |   |
|          | 1-319195                                 | Red (Unlighted)                             |
|          | 2-319195                                 | Red (Lighted)                               |
|          | 3-319195                                 | Gray (Unlighted)(Mobil)                     |
| 5        | <u>Board Assembly (Includes Item #6)</u> |   |
|          | 419202-5                                 | Cash/Credit (Decimals)                      |
|          | 419202-6                                 | Cash (Decimals)                             |
|          | 419202-7                                 | Cash/Credit (Commas)                        |
|          | 419202-8                                 | Cash (Commas)                               |
| 6        | 2-419225                                 | Liquid Crystal Display                      |
| 7        | <u>Panel Weld Assembly</u>               |   |
|          | 420436-3                                 | Cash/Credit                                 |
|          | 420436-4                                 | Cash  |
|          | 420436-5                                 | Blank                                       |
| 8        | <u>Wiring Harness Assembly</u>           |   |
|          | 420495-1                                 | 45"   |
|          | 420495-3                                 | 30"   |
|          | 420495-6                                 | 60"   |
| 9        | 90-50001                                 | #6-32 x 5/16" Long Round Head Machine Screw |
| 10       | 03-50211                                 | #6-32 Hex Mach Nut                          |
| 11       | 03-50761                                 | #6 Shakeproof Lockwasher                    |
| 12       | 1-230798                                 | Cash/Credit Plug                            |

2-741431

**LOW CASH/CREDIT BUTTON ASSEMBLY**  
(FOR TCS ONE PIECE DIAL)



2-741432

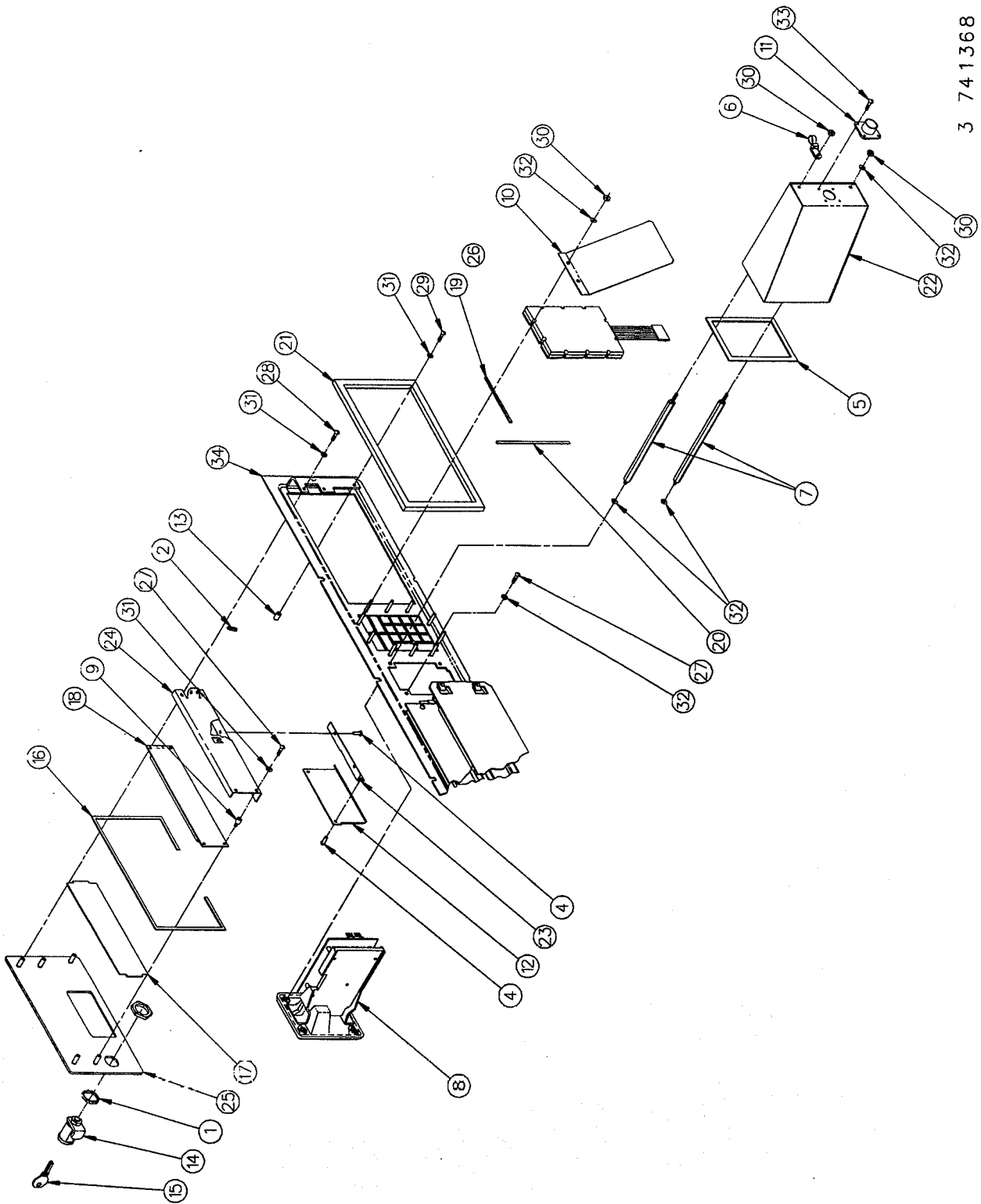
2-741421  
1 of 1

**ONE PIECE DIAL ASSEMBLY (BACK LIT)**  
**(MODEL: TCS 30"A, 45"A & 60"A)**

| ITEM NO. | PART NO.  | DESCRIPTION  | ITEM NO. | PART NO.  | DESCRIPTION                 | ITEM NO. | PART NO.  | DESCRIPTION              |
|----------|-----------|--|----------|---|-----------------------------|----------|-----------|--------------------------|
| 1        | 2-128725  | Cable Tie  | 24       | Ballast   |                             | 35       | 96-50001  | #6-32 x 1/2" Lg Rd Hd    |
| 2        | 1-128791  | #6-32 Special Nut                                      |          | 1-315556  | 110 Volt                    |          |           | Mach Screw               |
| 3        | 1-129223  | Wire Connector   |          | 3-315556  | 220 Volt 50Hz               | 36       | 256-50001 | #10-24 x 3/4" Lg Rd Hd   |
| 4        | 1-131006  | Pop Rivet  |          | 4-315556  | 220 Volt 60Hz               |          |           | Mach Screw               |
| 5        | 2-131473  | Socket   |          |   |                             | 37       | 03-50761  | #6 Shakeproof            |
| 6        | 11-219435 | Flourescent Lamp                                       | 25       | 1-315557  | Starter Socket              |          |           | Lockwasher               |
| 7        | 1-226278  | Starter  | 26       | 317653-1  | Dial Interconnect           | 38       | 06-52482  | Truarc Retaining Ring    |
| 8        | 2-227359  | Connector  |          |   | Board Assembly              | 39       | 30-50001  | #4 x 3/8" Lg Round Head  |
| 9        | 1-227766  | Lamp Holder  |          |   |                             | 40       | 02-50211  | Machine Screw            |
| 10       | 3-227766  | Lamp Holder  | 27       | Push Button Switch Assembly                     |                             | 41       | 01-50761  | #4-40 Hex Nut            |
| 11       | 1-228606  | Connector Housing                                      |          | 1-319195  | Red - Unlighted             |          |           | #4 Shakeproof Lockwasher |
| 12       | 1-228640  | Bracket  |          | 2-319195  | Red - Lighted               |          |           |                          |
| 13       | 1-228641  | Link   |          | 3-319195  | Gray - Unlighted            |          |           |                          |
| 14       | 1-231143  | Pin  |          |   |                             | 42       |           |                          |
| 15       | 228677-1  | Buzzer Assembly (Annunciator)                          | 28       | 318974-1  | Bracket & Standoff Assembly |          |           |                          |
| 16       | 1-229621  | Switch Grommet   | 29       | Dial Rail                                       |                             |          |           |                          |
| 17       | 1-229652  | Plastic Rivet  |          | 1-319013  | 60"                         |          |           |                          |
| 18       | Key       |  |          | 2-319013  | 45"                         |          |           |                          |
|          | 2-229680  | Attendants (372I)                                      |          | 3-319013  | 30"                         |          |           |                          |
|          | 3-229680  | Managers (592I)  | 30       | 1-319029  | Dial Guide                  |          |           |                          |
| 19       | 230187-1  | Keylock Switch & Harness Assembly (Includes Item # 18) | 31       | Money/Volume Board Assembly (Includes Item #32) |                             |          |           |                          |
| 20       | 230196-1  | Wire Harness Assembly                                  |          | 419091-3  | Decimals                    |          |           |                          |
| 21       | 1-230432  | #10-24 Capped Washer Locknut (With Seal)               |          | 419091-4  | Commas                      |          |           |                          |
| 22       | 7-229606  | Spacer   | 32       | 2-419225  | Liquid Crystal Display      |          |           |                          |
| 23       | 7-38210   | "O" Ring   | 33       | 420165-21                                       | Lead Assembly               |          |           |                          |
|          |           |  | 34       | 90-50001  | #6-32 x 5/16" Lg Rd Hd      |          |           |                          |
|          |           |  | Hd       |   | Mach Screw                  |          |           |                          |

2-741421

DIAL ASSEMBLY FOR 45" & 60" DPT



3 741368

2-741432

1 of 1

# LOW CASH/CREDIT BUTTON ASSEMBLY (TCS ONE PIECE DIAL)

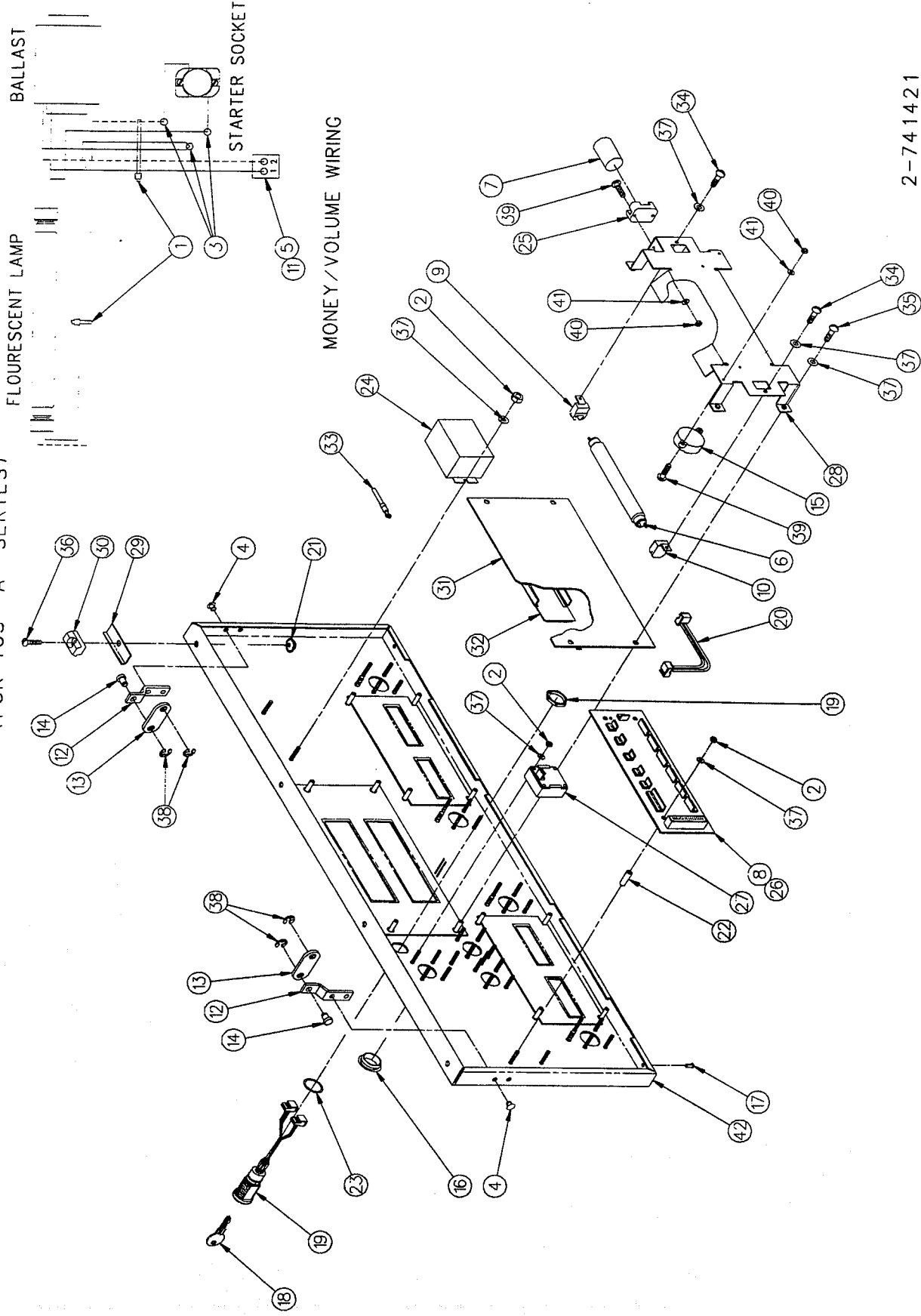
| ITEM<br>NO. | PART<br>NO.                       | DESCRIPTION                                 |
|-------------|-----------------------------------|---|
| 1           | 1-229621                          | Switch Grommet                              |
| 2           | 1-230432                          | #10-24 Capped Washer Locknut (With Seal)    |
| 3           | 1-230810                          | Light Filter                                |
| 4           | Push Button Switch Assembly       |   |
|             | 2-319195                          | 45" (Red)(Lighted)                          |
|             | 4-319195                          | 30" & 60" (Red)(Lighted)                    |
| 5           | Board Assembly (Includes Item #6) |   |
|             | 419202-5                          | Cash/Credit (Decimals)                      |
|             | 419202-6                          | Cash (Decimals)                             |
|             | 419202-7                          | Cash/Credit (Commas)                        |
|             | 419202-8                          | Cash (Commas)                               |
| 6           | 2-419225                          | Liquid Crystal Display                      |
| 7           | Panel Weld Assembly               |   |
|             | 420436-1                          | Cash/Credit                                 |
|             | 420436-2                          | Cash  |
|             | 420436-5                          | Blank                                       |
| 8           | Wiring Harness Assembly           |   |
|             | 420495-2                          | 45"   |
|             | 420495-4                          | 30"   |
|             | 420495-7                          | 60"   |
| 9           | 90-50001                          | #6-32 x 5/16" Long Round Head Machine Screw |
| 10          | 03-50211                          | #6-32 Hex Mach Nut                          |
| 11          | 03-50761                          | #6 Shakeproof Lockwasher                    |
| 12          | 1-318975                          | Cash/Credit Plug                            |

---

 2-741432

# ONE PIECE DIAL ASSEMBLY (MONEY/VOLUME)

(FOR TCS "A" SERIES)

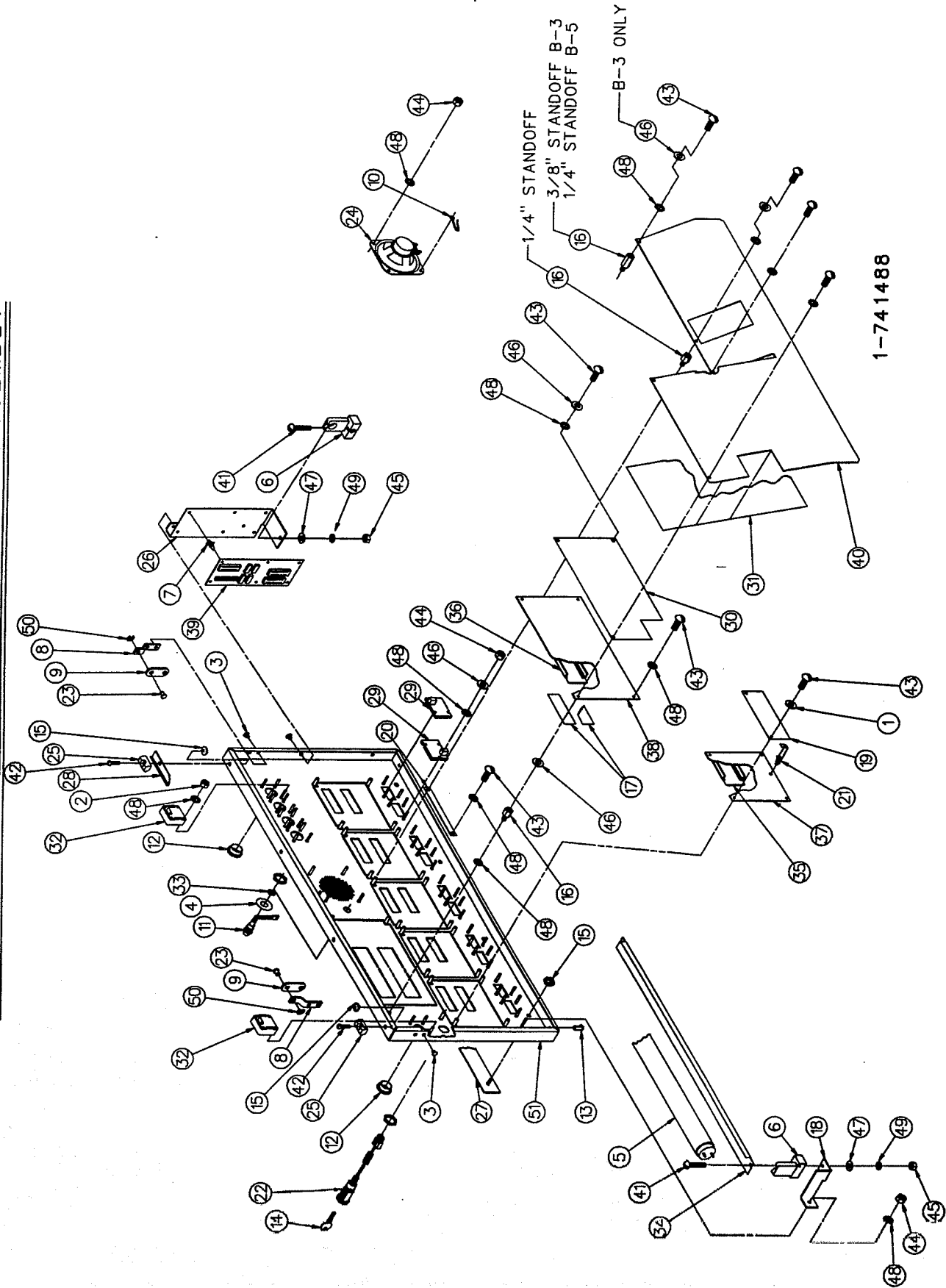


2-741421

# DIAL ASSEMBLY FOR DPT For Models 400A, & 600A

| ITEM NO. | PART NO.                                       | DESCRIPTION  |
|----------|--|--|
| 1        | 2-127656                                       | Lock Gasket  |
| 2        | 1-128725                                       | Cable Tie  |
| 3        | <u>Decalomania (Not Shown On Drawing)</u>      |  |
|          | 1-131573                                       | "HAND INSERTING CARD"  |
|          | 1-230813                                       | "THIS CARD READER ACCEPTS AND SELECTED ATM BANK DEBIT CARDS" |
|          | 2-231099                                       | "TEXACO"   |
|          | 1-318917                                       | "RECEIPT"  |
|          | 2-318917                                       | "TEXACO LOGO"  |
|          | 3-318917                                       | "TEXACO"   |
|          | 4-318917                                       | "THIS CARDREADER ACCEPTS"                                    |
|          | 5-318917                                       | "PUSH"   |
|          | 6-318917                                       | "CARDREADER INSTRUCTIONS"                                    |
|          | 7-318917                                       | "INSTRUCTIONS"   |
|          | 11-318917                                      | "PHILLIPS LOGO"  |
|          | 12-318917                                      | "INSERT CARD BELOW"  |
|          | 13-318917                                      | "INSERT CARD"  |
| 4        | 1-132428                                       | Pop Rivet  |
| 5        | 1-228470                                       | Card Reader Gasket   |
| 6        | 3-228918                                       | Cable Clamp  |
| 7        | 2-228997                                       | Rod  |
| 8        | <u>Card Reader</u>                             |  |
|          | 3-229424                                       | Mobil  |
|          | 4-229424                                       | All Except Mobil   |
| 9        | 7-229606                                       | Spacer   |
| 10       | 1-230461                                       | Keypad Reflector   |
| 11       | 230618-1                                       | Internal Card Reader Wire Harness Assembly                   |
| 12       | 1-230681                                       | Receipt Door   |
| 13       | 1-230684                                       | 1/4" Standoff (Male-Female)                                  |
| 14       | 1-230685                                       | Lock   |
| 15       | 2-230685                                       | Key (TPX 88)   |
| 16       | <u>Access Door Gasket</u>                      |  |
|          | 1-230686                                       | All Except Mobil   |
|          | 1-231037                                       | Mobil  |
| 17       | 1-230688                                       | LCD Window   |
| 18       | 231180-1                                       | DPT Display Replacement Kit                                  |
| 19       | 24-317638                                      | Cushion  |
| 20       | 25-317638                                      | Cushion  |
| 21       | 1-318927                                       | Printer Box Gasket   |
| 22       | 318838-1                                       | Box Assembly   |
| 23       | 2-318895                                       | Receipt Door Hinge   |
| 24       | 1-318898                                       | LCD Cover  |
| 25       | <u>Access Door Weld Assembly</u>               |  |
|          | 318901-2                                       | All Except Mobil   |
|          | 318901-4                                       | Mobil  |
| 26       | <u>Membrane Keypad</u>                         |  |
|          | 2-421173                                       | Texaco & Generic DPT   |
|          | 3-421173                                       | SuperAmerica   |
|          | 4-421173                                       | Phillips   |
|          | 5-421173                                       | Southland  |
|          | 6-421173                                       | Amoco  |
|          | 7-421173                                       | Amoco "Start"  |
|          | 8-421173                                       | Clark & Generic  |
|          | 10-421173                                      | Texaco Non Generic DPT                                       |
|          | 2-421176                                       | Mobil  |
|          | 3-421176                                       | Emro   |
| 27       | 88-50001                                       | #6-32 x 1/4" Long Round Head Machine Screw                   |
| 28       | 90-50001                                       | #6-32 x 5/16" Long Round Head Machine Screw                  |
| 29       | 98-50001                                       | #6-32 x 5/8" Long Round Head Machine Screw                   |
| 30       | 03-50211                                       | #6-32 Hex Nut  |
| 31       | 06-50641                                       | #6 Lockwasher  |
| 32       | 03-50761                                       | #6 Shakeproof Lockwasher                                     |
| 33       | 20-55392                                       | #4 x 3/8" Long Hex Washer Head Tapping Screw                 |
| 34       | <u>For parts callout of Dial Assembly see:</u> |  |
|          | 731007   | One Piece (Mobil)  |
|          | 741313   | Three Piece  |
|          | 741421   | One Piece  |

**MODEL 322A-B5/B3 ONE PIECE DIAL ASSEMBLY**



1-741488

1-741488  
1 of 2

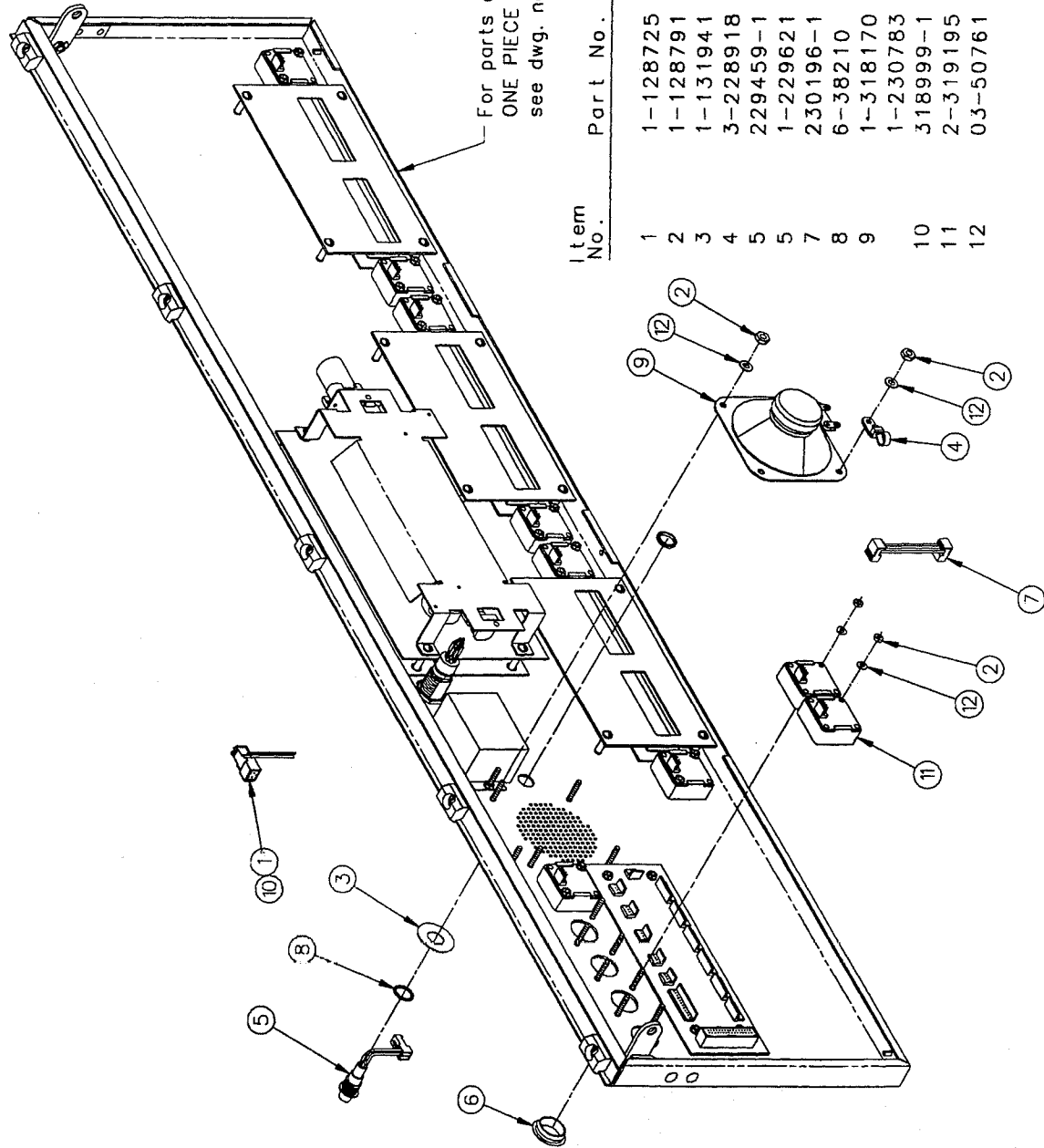
# 322A-B3/5 ONE PIECE DIAL ASSEMBLY

| ITEM NO. | PART NO.               | DESCRIPTION                       | ITEM NO. | PART NO. | DESCRIPTION  | ITEM NO. | PART NO.  | DESCRIPTION                                 |
|----------|------------------------|-----------------------------------|----------|----------|--|----------|-----------|---|
| 1        | 1-122705               | Washer (K)                        | 22       | 231011-1 | Keylock Switch Harness Assembly (Includes Items #14) | 37       |           | Volume                                      |
| 2        | 1-128791               | #6-32 Special Nut                 | 23       | 1-231143 | Pin  |          |           | (Includes Item #35)                         |
| 3        | 1-131006               | Pop Rivet                         | 24       | 1-318170 | Speaker (SP)   | 420507-1 |           | Cash/Credit                                 |
| 4        | 1-131941               | Assistance Plate                  | 25       | 1-319029 | Dial Guide   |          |           | (Decimals)                                  |
| 5        | 12-219435              | Fluorescent Lamp                  | 26       | 1-319101 | PC Board Bracket                                     | 420507-2 |           | Cash (Decimals)                             |
| (Case)   |                        |                                   | 27       |          | Product Panel Weld Assembly                          | 420507-3 |           | Cash/Credit (Commas)                        |
| 6        | 1-221379               | Lamp Holder                       | 319103-1 |          | 5 Product Blender                                    | 420507-4 |           | Cash (Commas)                               |
| 7        | 2-225470               | Standoff                          | 319103-2 |          | 3 Product Blender                                    |          |           |   |
| 8        | 1-228640               | Bracket                           | 3-319013 |          | Dial Rail  |          |           |   |
| 9        | 1-228641               | Link                              | 29       |          | Button   | 39       | 420566-1  | Switch Matrix Light                         |
| 10       | 3-228918               | Cable Clamp                       | 2-319120 |          | Credit   | 40       | 2-420673  | Control                                     |
| 11       | 229459-1               | Push Button Switch Assembly (SP)  | 3-319120 |          | Cash-No Printing (VH322A-R-B5-SP/                    | 41       | 182-50001 | Reflector                                   |
| 12       | 1-229621               | Switch Grommet                    | 4-319120 |          | Credit-No Printing (VH322A-R-B5-K-SP)                | 42       | 256-50001 | #8-32 x 1" Long Round Head Machine Screw    |
| 13       | 1-229652               | Plastic Rivet                     | 5-319120 |          | Push To Start  | 43       |           | #10-24 x 3/4" Long Round Head Machine Screw |
| 14       | Key                    |                                   | 30       | 1-319161 | Money/Volume Lens                                    | 44       |           |   |
|          | 2-229680               | Attendant's                       | 31       | 1-319171 | Reflector (Money/                                    | 45       | 03-50211  | Head Machine Screw                          |
|          | 3-229680               | Manager's                         | 32       | 2-319195 | Volume Lens)   | 46       | 04-50211  | #6-32 Hex Nut                               |
| 15       | 1-230432               | Capped Washer Locknut (With Seal) | 33       | 6-38210  | Push Button Switch                                   | 47       | 03-50621  | #8 Plain Washer                             |
|          |                        |                                   | 34       | 1-418298 | "O" Ring   | 48       | 04-50621  | #8 Plain Washer                             |
| 16       |                        |                                   | 35       | 2-419225 | Starter Strip  |          | 03-50761  | #6 Shake-Proof Lockwasher                   |
|          | Standoff (Male-Female) |                                   | 36       | 3-419225 | Liquid Crystal Display (Price/Unit)                  | 49       | 04-50761  | #8 Shake-Proof Lockwasher                   |
|          | 1-230684               | 1/4" Long (B-3 & B-5)             |          |          | Liquid Crystal Display (Money/                       | 50       | 06-52482  | Truarc Retaining Ring                       |
|          | 3-230684               | 3/8" Long (B-3)                   |          |          |  |          |           |   |
| 17       | 1-230810               | Light Filter                      |          |          |  |          |           |   |
| 18       | 1-230959               | Light Bracket                     |          |          |  |          |           |   |
| 19       | 1-230973               | Price Per Unit Lens               |          |          |  |          |           |   |
| 20       | 1-230999               | Insulator                         |          |          |  |          |           |   |
| 21       | 1-231007               | Cable Clamp                       |          |          |  |          |           |   |

# 322A-B3/5 ONE PIECE DIAL ASSEMBLY - Continued

| ITEM NO. | PART NO.  | DESCRIPTION   | ITEM NO. | PART NO. | DESCRIPTION | ITEM NO. | PART NO. | DESCRIPTION |
|----------|-----------|---|----------|----------|-------------|----------|----------|-------------|
| 51       |           | Dial & Window Assembly  |          |          |             |          |          |             |
|          | 420969-1  | 322A-B5   |          |          |             |          |          |             |
|          | 420969-2  | 322A-B5-K   |          |          |             |          |          |             |
|          | 420969-3  | 322A-B5-S   |          |          |             |          |          |             |
|          | 420969-4  | 322A-B5-KS  |          |          |             |          |          |             |
|          | 420969-5  | 322A-B5-P   |          |          |             |          |          |             |
|          | 420969-6  | 322A-B5-KP  |          |          |             |          |          |             |
|          | 420969-7  | 322A-B5-SP & VH322A-R-B5-SP                                     |          |          |             |          |          |             |
|          | 420969-8  | 322A-B5-KSP & VH322A-R-B5-KPS                                   |          |          |             |          |          |             |
|          | 420969-9  | 322A-B3   |          |          |             |          |          |             |
|          | 420969-10 | 322A-B3-K   |          |          |             |          |          |             |
|          | 420969-11 | 322A-B3-S   |          |          |             |          |          |             |
|          | 420969-12 | 322A-B3-KS  |          |          |             |          |          |             |
|          | 420969-13 | 322A-B3-P   |          |          |             |          |          |             |
|          | 420969-14 | 322A-B3-KP  |          |          |             |          |          |             |
|          | 420969-15 | 322A-B3-SP  |          |          |             |          |          |             |
|          | 420969-16 | 322A-B3-KSP   |          |          |             |          |          |             |
|          | 420969-17 | 322A-R-B3-T, H322A-R-B3-T                                       |          |          |             |          |          |             |
|          | 420969-18 | H322-R-B3-N-T, 322A-R-B3-K-T, H322A-R-B3-K-T                    |          |          |             |          |          |             |
|          | 420969-19 | H322A-R-B3-N-K-T, 322A-R-B5-T, H322A-R-B5-T                     |          |          |             |          |          |             |
|          | 420969-20 | H322A-R-B5-N-T, 322A-R-B5-K-T, H322A-R-B5-K-T, H322A-R-B5-N-K-T |          |          |             |          |          |             |
|          |           | <b>1-741488</b>   |          |          |             |          |          |             |

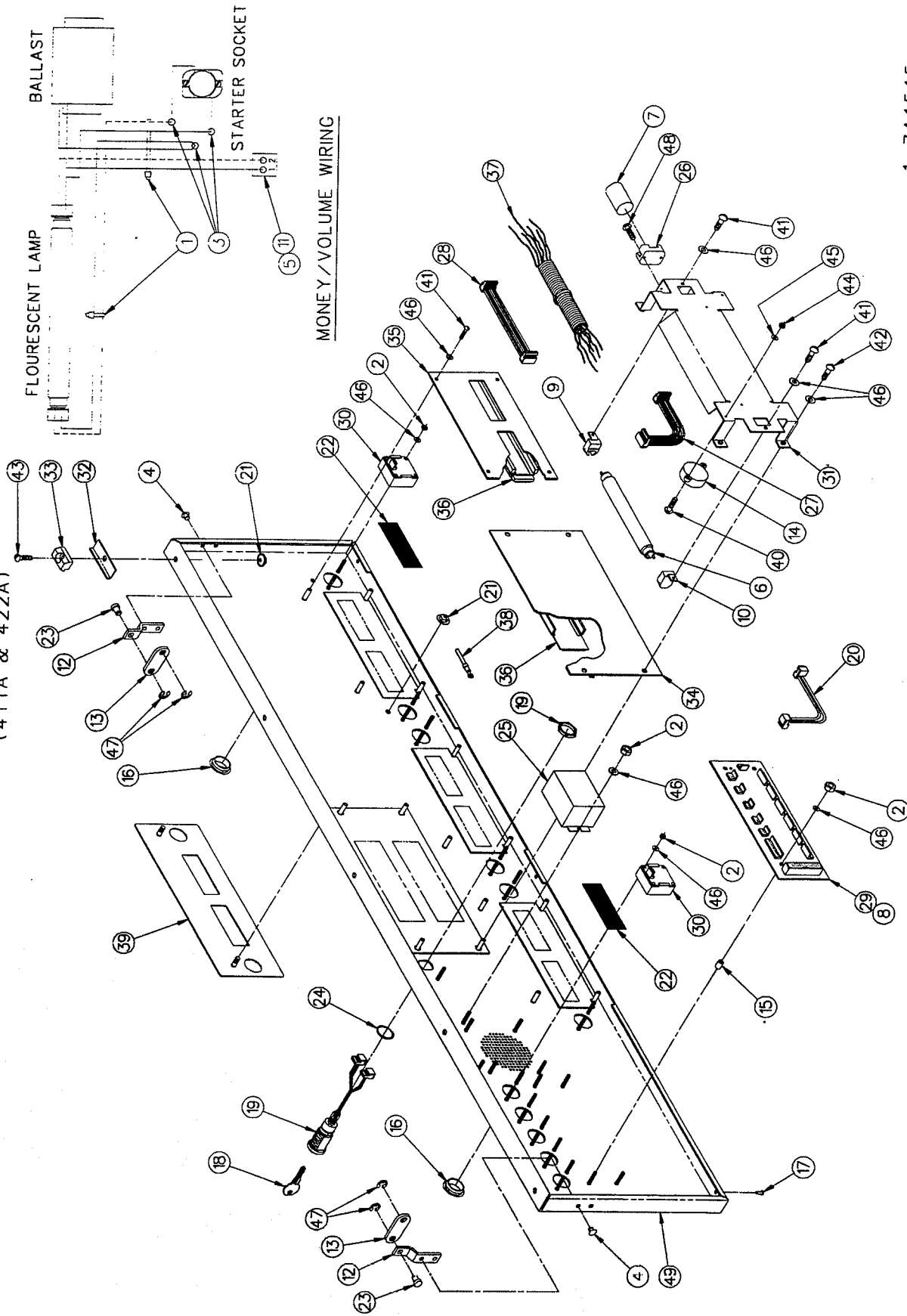
**SPEAKER & PRESETS ASSEMBLY**  
**MODEL 411A & 422A (ONE PIECE DIAL)**



| Item No. | Part No. | Name Of Part             |
|----------|----------|--------------------------|
| 1        | 1-128725 | Cable Tie                |
| 2        | 1-128791 | #6-32 Special Nut        |
| 3        | 1-131941 | Assistance Plate         |
| 4        | 3-228918 | Cable Clamp              |
| 5        | 229459-1 | Push Button Switch Assy. |
| 5        | 1-229621 | Switch Grommet           |
| 7        | 230196-1 | Wire Harness Assembly    |
| 8        | 6-38210  | "O" Ring                 |
| 9        | 1-318170 | Speaker                  |
|          | 1-230783 | Speaker Baffle           |
| 10       | 318999-1 | Wire Harness Assembly    |
| 11       | 2-319195 | Push Button Switch Assy. |
| 12       | 03-50761 | #6 Shakeproof Lockwasher |

# ONE PIECE DIAL ASSEMBLY (BACK LIT)

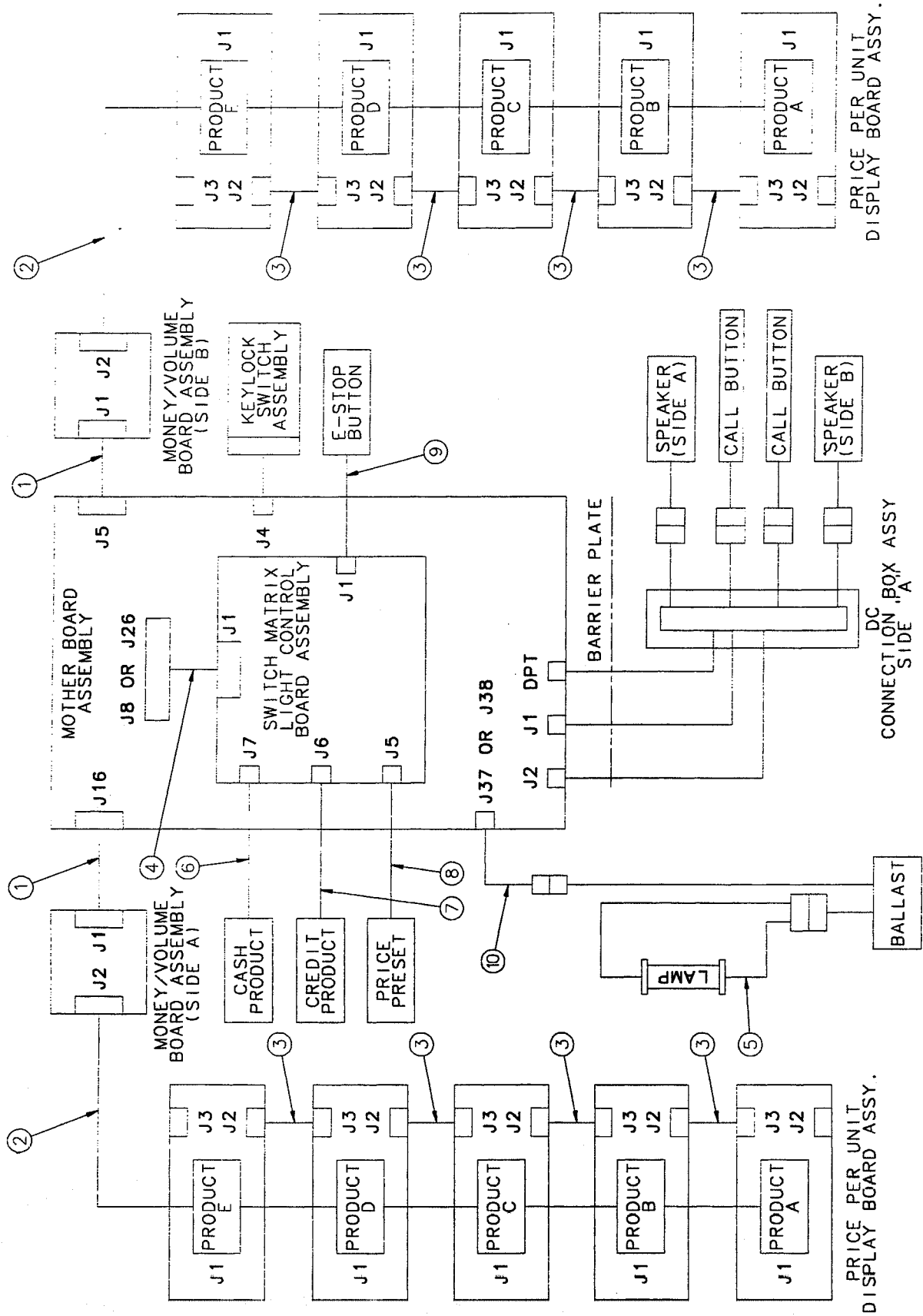
(411A & 422A)



1-741515



# WIRING SCHEMATIC FOR 30" 3 & 5 PRODUCT DIAL



1-741501

1-741501  
1 of 1

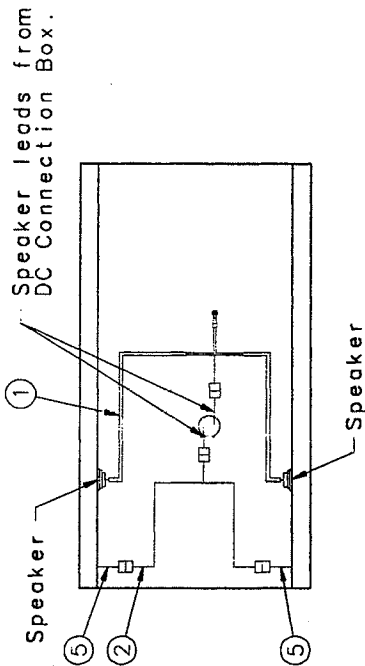
# WIRING SCHEMATIC FOR 30" 3 & 5 PRODUCT DIAL

| ITEM NO. | PART NO.  | DESCRIPTION   |
|----------|---|---|
| 1        | 2-229447  | Display Ribbon Cable                                    |
| 2        | <u>Ribbon Cable (Money/Volume J2 To Price Per Unit Display Unit J1)</u> |   |
|          | 1-230893  | 5 Product Blender                                       |
|          | 1-231139  | 3 Product Blender                                       |
| 3        | 230933-1  | Price Per Unit Harness Assy.                            |
| 4        | 1-230968  | Switch Matrix Light Control Ribbon Cable                |
| 5        | 231017-1  | Lamp Harness Assembly                                   |
| 6        | <u>Cash Product Harness Assembly</u>                                    |   |
|          | 319081-1  | 5 Product Blender                                       |
|          | 319081-3  | 3 Product Blender                                       |
| 7        | <u>Credit Product Harness Assembly</u>                                  |   |
|          | 319081-1  | 5 Product Blender                                       |
|          | 319081-3  | 3 Product Blender                                       |
| 8        | 319081-2  | Price Preset Harness Assembly                           |
| 9        | 319116-1  | E-Stop Harness Assembly                                 |
| 10       | 319194-3  | Wire Harness Assembly (Mother Board J37/J38 To Ballast) |

1-741501

**SPEAKER & CALL BUTTON WIRING FOR TCS**

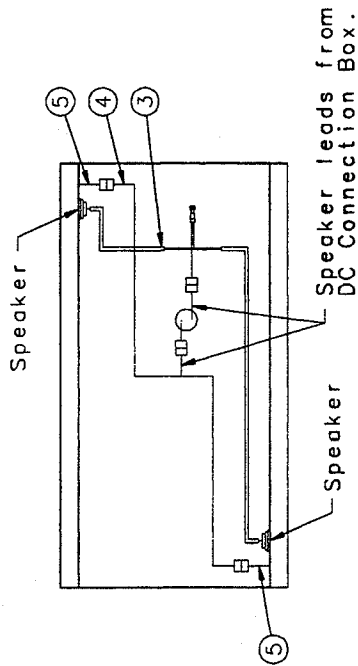
Dial Assembly, Side "B"



Dial Assembly, Side "A"

(MODEL TCS 30", 45" & 60")

Dial Assembly, Side "B"



Dial Assembly, Side "A"

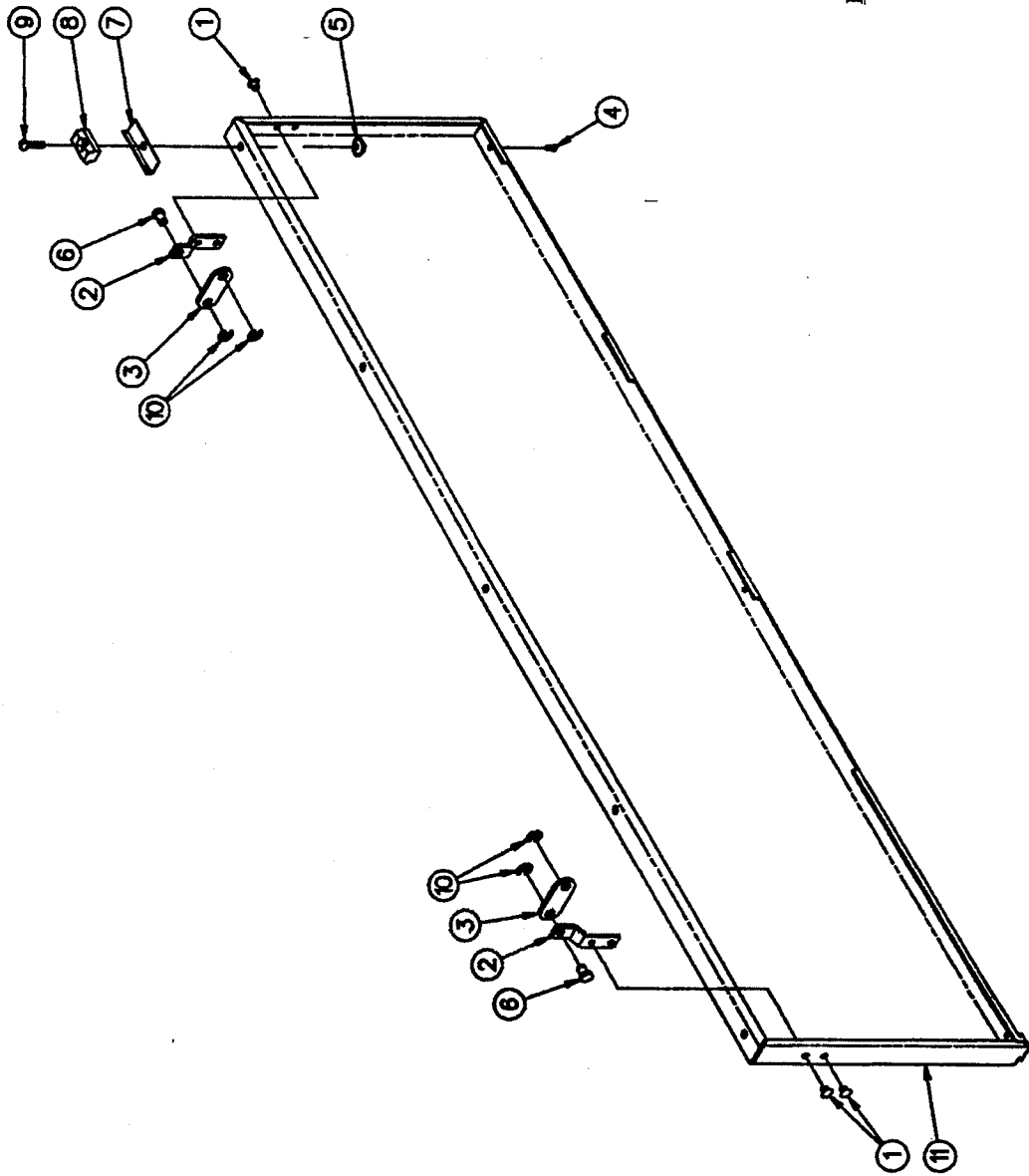
(MODEL TCS 30"A, 45"A & 60"A)

| Item No. | Part No. | Name Of Part   |
|----------|----------|--|
| 1        | 228996-1 | Speaker Wire Harness Assy. (30")                               |
|          | 228996-2 | Speaker Wire Harness Assy. (45")                               |
|          | 228996-3 | Speaker Wire Harness Assy. (60")                               |
|          | 229462-1 | Speaker With Call Button Wire Harness Assembly (30")           |
| 2        | 229462-2 | Speaker With Call Button Wire Harness Assembly (45")           |
|          | 229462-3 | Speaker With Call Button Wire Harness Assembly (60")           |
|          | 229460-1 | Call Button Wire Harness Assy. (311 & 312)                     |
|          | 229460-2 | Call Button Wire Harness Assy. (413)                           |
| 3        | 229460-3 | Call Button Wire Harness Assy. (614)                           |
|          | 229461-1 | Call Button Wire Harness Assy. (30")                           |
|          | 229461-2 | Call Button Wire Harness Assy. (45")                           |
|          | 229461-3 | Call Button Wire Harness Assy. (60")                           |
|          | 228996-4 | Speaker Wire Harness Assy. (30")                               |
|          | 228996-5 | Speaker Wire Harness Assy. (45"A)                              |
|          | 228996-6 | Speaker Wire Harness Assy. (60"A)                              |
|          | 229462-4 | Speaker With Call Button Wire Harness Assembly (30"A)          |
| 4        | 229462-5 | Speaker With Call Button Wire Harness Assembly (45"A)          |
|          | 229462-6 | Speaker With Call Button Wire Harness Assembly (60"A)          |
|          | 229460-5 | Call Button Wire Harness Assy. (311A & 312A)                   |
|          | 229460-6 | Call Button Wire Harness Assy. (614A & 628A)                   |
| 5        | 229461-4 | Call Button Wire Harness Assy. (30"A)                          |
|          | 229461-5 | Call Button Wire Harness Assy. (45"A)                          |
|          | 229461-6 | Call Button Wire Harness Assy. (60"A)                          |
|          | 229460-4 | Call Button Ext. Wire Harness Assembly (322, 324, 322A & 324A) |
|          | 229460-5 | Call Button Ext. Wire Harness Assy. (426 & 426A)               |
|          | 229460-6 | Call Button Ext. Wire Harness Assy. (628 & 628A)               |

# ONE PIECE DIAL BLANK ASSEMBLY

(MODEL TCS "A")

For Steel Enclosure



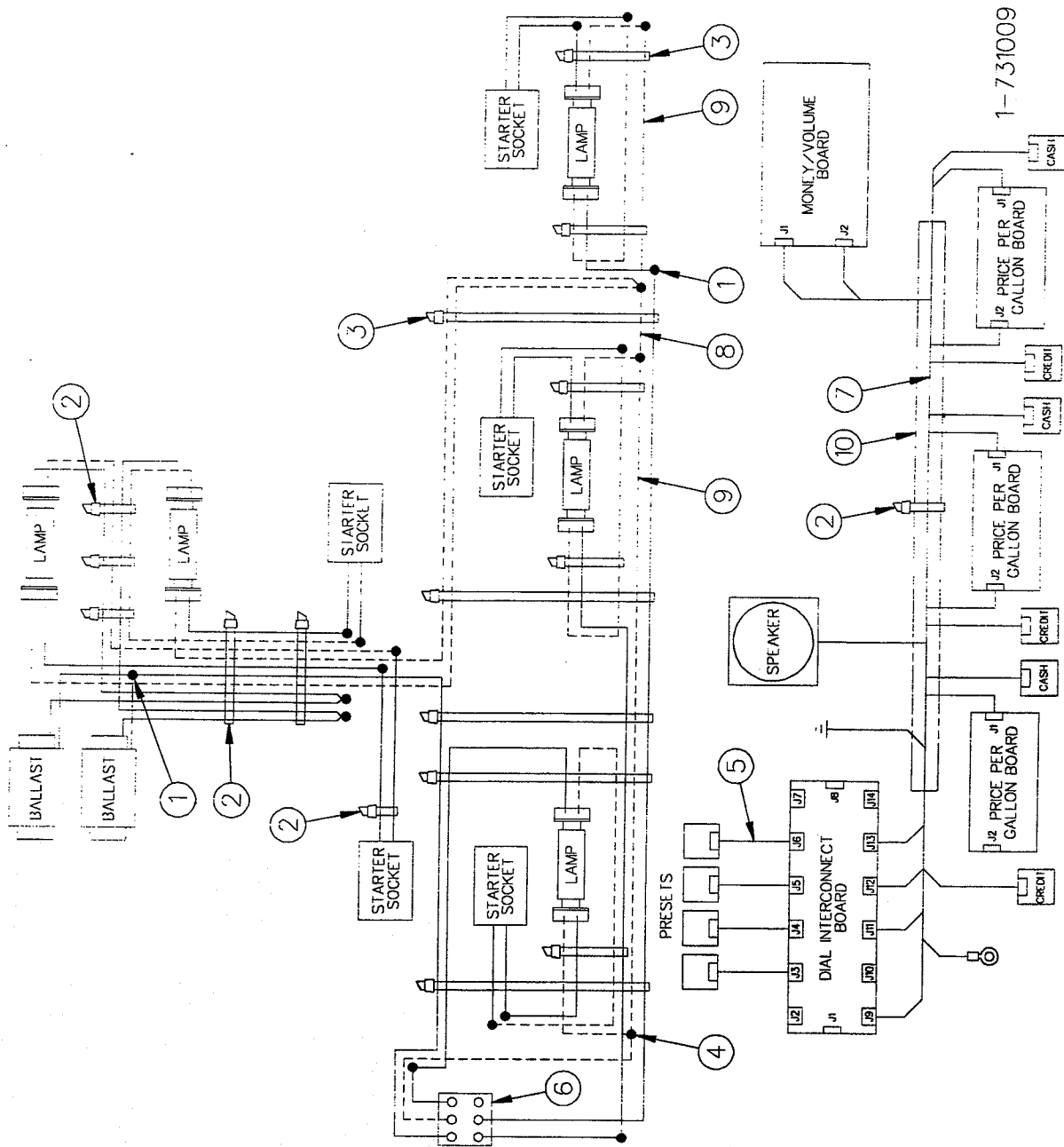
| Item No. | Part No.   | Name of Part                               |
|----------|------------|--|
| 1        | 1-131006   | Pop Rivet                                  |
| 2        | 1-228640   | Bracket                                    |
| 3        | 1-228641   | Link                                       |
| 4        | 1-229652   | Plastic Rivet                              |
| 5        | 1-230432   | #10-24 Capped Washer                       |
| 6        | 1-231143   | Locknut (With Seal) Pin                    |
| 7        | Dial Rail  |  |
|          | 1-319013   | 60"  |
|          | 2-319013   | 45"  |
|          | 3-319013   | 30"  |
| 8        | 1-319029   | Dial Guide                                 |
| 9        | 256-50001  | #10-24 X 3/4 Long Round Head Machine Screw |
| 10       | 06-52482   | Truarc Retaining Ring                      |
| 11       | Dial Blank |  |
|          | 3-418129   | 30"  |
|          | 7-420427   | 45"  |
|          | 7-420515   | 60"  |

For complete Dial Blank & Rail Assembly order:

|          |     |
|----------|-----|
| 420487-1 | 30" |
| 420535-1 | 60" |
| 420542-1 | 45" |

1-741518

# DIAL WIRING SCHEMATIC (TCS "A" MOBIL)



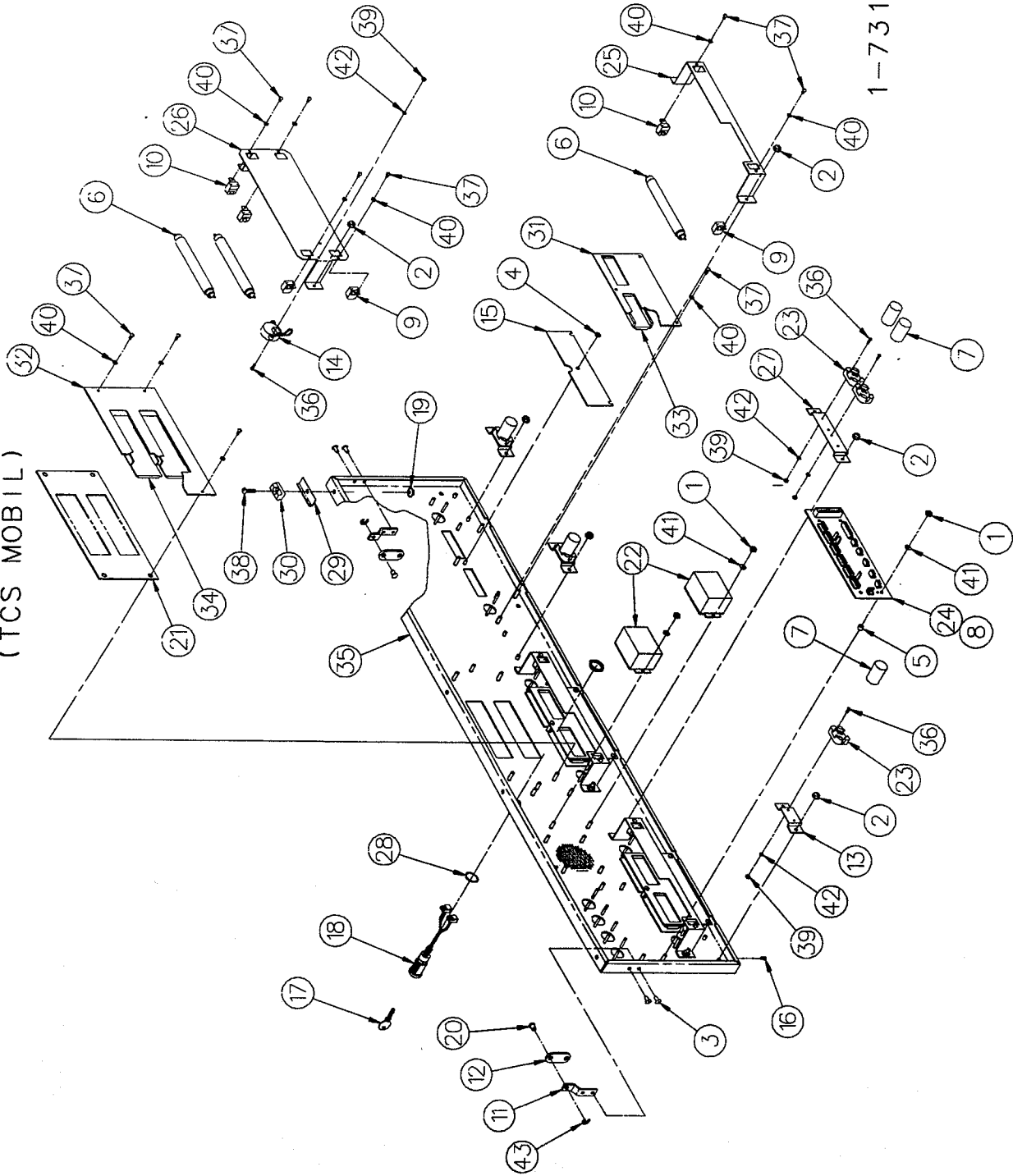
1-731009

## DIAL WIRING SCHEMATIC (TCS "A" MOBIL)

| ITEM NO. | PART NO.                                  | DESCRIPTION                      |
|----------|---|----------------------------------|
| 1        | 1-127473                                  | Wire Connector (#16 To #18 Wire) |
| 2        | 1-128725                                  | Cable Tie (3-7/8" to 4" Long)    |
| 3        | 2-128725                                  | Cable Tie (5-1/2" to 6" Long)    |
| 4        | 1-129223                                  | Wire Connector (#16 To #18 Wire) |
| 5        | 230196-1                                  | Presets Wiring Harness Assembly  |
| 6        | 318363-2                                  | Lights Wiring Harness Assembly   |
| 7        | <u>Signal Loom &amp; Harness Assembly</u> |                                  |
|          | 419763-3                                  | M/MH426AR-KS/KSP (Front)         |
|          | 419763-4                                  | M/MH426AR-KS/KSP (Rear)          |
|          | 419763-7                                  | MH426AR-ST (Front)               |
|          | 419763-8                                  | MH426AR-ST (Rear)                |
| 8        | 007-548904-20                             | Conductor (#18 White)            |
| 9        | 015-548904-20                             | Conductor (#18 White)            |
| 10       | 008-552604                                | Flexible Loom                    |

Reference: 419980 Dial Assembly

ONE PIECE DIAL ASSEMBLY ( MONEY / VOLUME )  
( TCS MOBIL )



1-731007

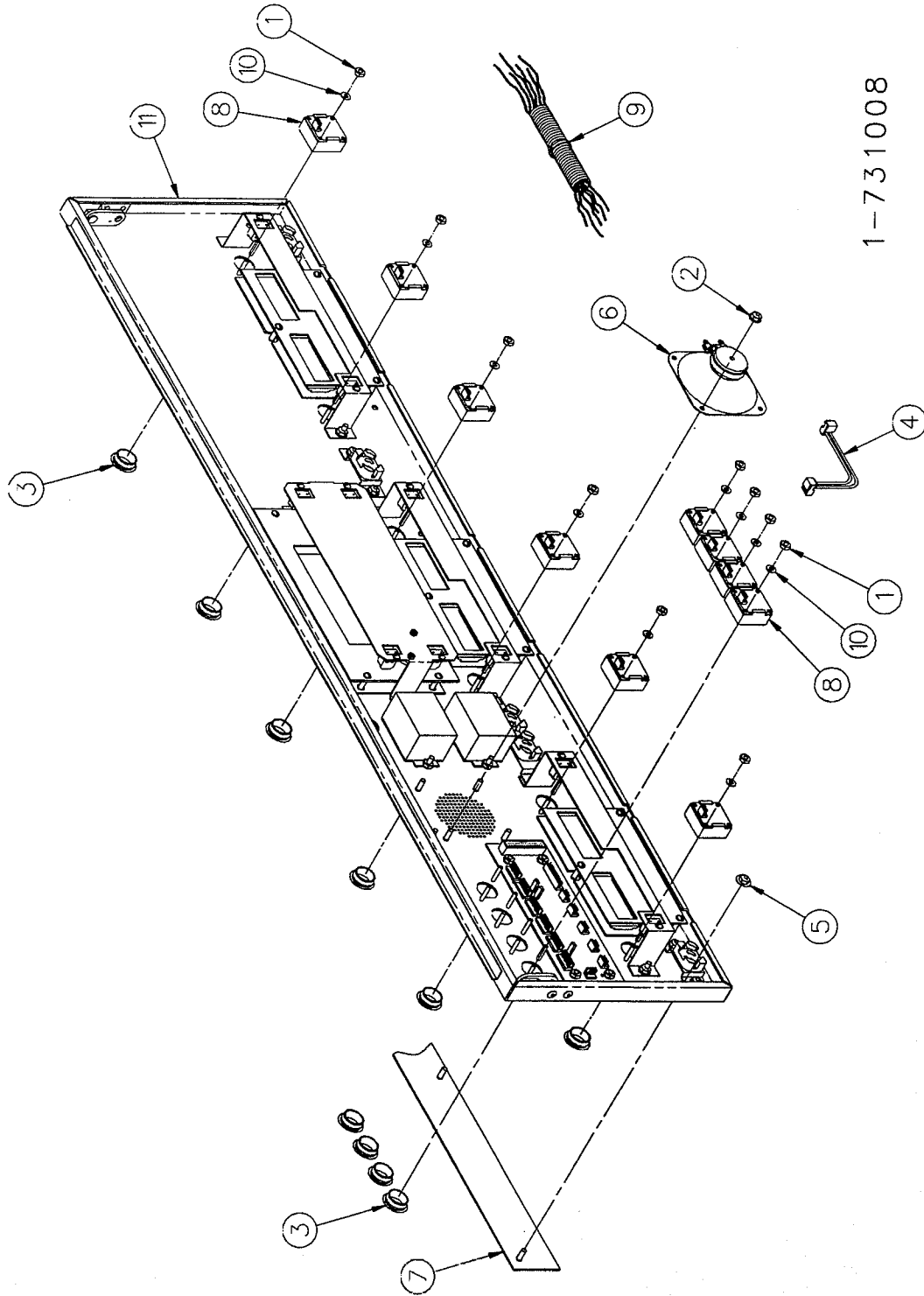
# ONE PIECE DIAL ASSEMBLY (MONEY/VOLUME)

(TCS MOBIL)

| ITEM PART NO. | DESCRIPTION  | ITEM PART NO. | DESCRIPTION   | ITEM PART NO. | DESCRIPTION   |
|---------------|--|---------------|---|---------------|---|
| 1             | Hex Nut<br>1-128791 #6-32 (High Hose)<br>05-50211 #10-24 (Low Hose)                        | 18            | 230187-1 Keylock Switch Harness Assembly (Includes Item #17)                            | 33            | 2-419225 Liquid Crystal Display   |
| 2             | 1-128791 #6-32 Special Nut (High Hose)<br>2-228671 #10-24 Capped Washer Locknut (Low Hose) | 19            | 1-230439 Capped Washer Locknut (With Seal)  | 34            | 3-419225 Liquid Crystal Display   |
| 3             | 1-131006 Pop Rivet   | 20            | 1-231143 Pin  | 35            | Screened Dial & Plug Assembly   |
| 4             | 1-131382 Pushnut Bolt Retainer (Low Hose Only)   | 21            | 1-231182 Money/Volume Window  |               | M426A-R-K-S (Front)   |
| 5             | Spacer<br>3-131460 High Hose<br>7-229606 Low Hose  | 22            | Ballast<br>1-315556 110 Volt<br>3-315556 220 Volt 50 Hz<br>4-315556 220 Volt 60 Hz      |               | M426A-R-K-S-P (Rear)  |
| 6             | 11-219435 Fluorescent Lamp   | 23            | 1-315557 Starter Socket   |               | M426A-R-K-S-P (Front)   |
| 7             | 1-226278 Starter   | 24            | 317653-1 Dial Interconnect Board Assembly   |               | M426A-R-K-S (Rear)  |
| 8             | 2-227359 Connector (2 Pin Jumper)  | 25            | Price Per Gallon Light Bracket<br>1-318151 Low Hose<br>2-318151 High Hose               |               | M426A-R-K-S-P (Front)   |
| 9             | 1-227766 Lamp Holder   | 26            | Money/Volume Bracket<br>1-318152 Low Hose<br>2-318152 High Hose                         |               | M426A-R-K-S-P (Rear)  |
| 10            | 3-227766 Lamp Holder   | 27            | Starter Socket Bracket<br>1-318153 Low Hose<br>2-318153 High Hose                       | 36            | 30-50001 #4-40 x 3/8" Long Round Head Machine Screw                         |
| 11            | 1-228540 Bracket   | 28            | 3-318940 "O" Ring   | 37            | 88-50001 #6-32 x 1/4" Long Round Head Machine Screw                         |
| 12            | 1-228541 Link  | 29            | 2-319013 Dial Rail  | 38            | 256-50001 #10-24 x 3/4" Long Round Head Machine Screw                       |
| 13            | Starter Socket Bracket<br>1-228576 Low Hose<br>2-228576 High Hose                          | 30            | 1-319029 Dial Guide   | 39            | 02-50211 #4-40 Hex Nut  |
| 14            | 228677-1 Buzzer Assembly (Annunciator)   | 31            | 418714-1 Price Per Gallon Board Assembly (Includes Item #33)                            | 40            | 03-50761 #6 Shakeproof Lockwasher   |
| 15            | Price Per Gallon Window<br>1-229515 Low Hose<br>1-231189 High Hose                         | 32            | Money/Volume Board Assembly (Includes Item #34)<br>419091-1 Commas<br>419091-4 Decimals | 41            | Shakeproof Lockwasher<br>03-50761 #6 (High Hose)<br>05-50761 #10 (Low Hose) |
| 16            | 1-229552 Plastic Rivet   |               |   | 42            | 19-50761 #4 Shakeproof Lockwasher   |
| 17            | Key<br>2-229680 Attendants (372I)<br>3-229680 Managers (592T)                              |               |   | 43            | 06-52482 Truarc Retaining Ring  |

Reference: 419980 Dial Assembly

CASH/CREDIT/PRESET & SPEAKER DIAL ASSEMBLY  
(TCS MOBIL)



1-731008

1-731008

1 of 1

**CASH/CREDIT/PRESET DIAL ASSEMBLY (TCS MOBIL)**

| ITEM NO. | PART NO. | DESCRIPTION |
|----------|----------|-------------|
|----------|----------|-------------|

|    |          |   |
|----|----------|---|
| 1  | 1-128791 | #6-32 Special Nut   |
| 2  | 2-228671 | #10-24 Capped Washer Lockwasher                                     |
| 3  | 1-229621 | Switch Grommet  |
| 4  | 230196-1 | Preset Harness Assembly   |
| 5  | 1-230432 | Capped Washer Lock Nut (With Seal)                                  |
| 6  | 1-318170 | Speaker   |
| 7  | 318787-1 | Product Panel Weld Assembly   |
| 8  | 3-319195 | Push Button Switch  |
| 9  |          | <u>Signal Loom &amp; Harness Assembly</u>                           |
|    | 419763-3 | M/MH426AR-KS/KSP (Front)  |
|    | 419763-4 | M/MH426AR-KS/KSP (Rear)   |
|    | 419763-7 | MH426AR-ST (Front)  |
|    | 419763-8 | MH426AR-ST (Rear)   |
| 10 | 03-50761 | #6 Shakeproof Lockwasher  |
| 11 | 731007   | <u>For parts callout of One Piece Dial Assembly see dwg. 731007</u> |

Reference: 419980 Dial Assembly

---

 1-731008

