

# SECTION

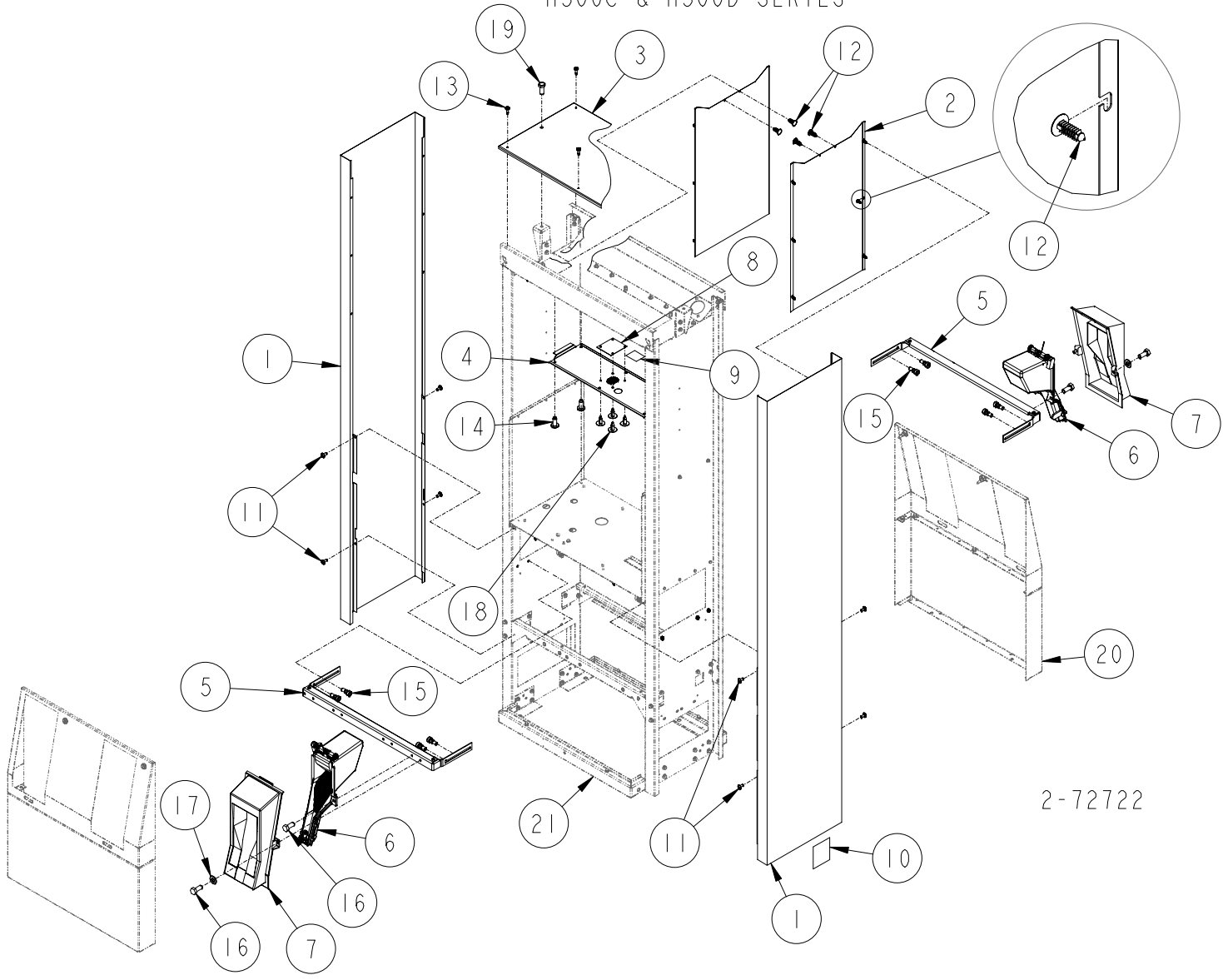
# 2

## Outer Shell

Page Number

<u>Trim Assembly</u>	
H300C & H300D Series .....	2-2, 2-3
H400C & H400D Series .....	2-4, 2-5
Lower Door Assembly .....	2-6, 2-7
<u>Nozzle Boot Assembly</u>	
Nozzle Boot Assembly .....	2-8, 2-9
Lift Lever Nozzle Boot Assembly .....	2-10, 2-11
<u>Chassis Assembly</u>	
H300C & H300D Series .....	2-12, 2-13
H400C & H400D Series .....	2-14, 2-15
<u>Head Assembly</u>	
H300C Series .....	2-16, 2-17
H300D Series .....	2-18, 2-19
H400C Series .....	2-20, 2-21
H400D Series .....	2-22, 2-23
<u>Product ID Panel Assembly</u>	
H300C & H300D Series .....	2-24, 2-25
H400C & H400D Series .....	2-26, 2-27
Valance Assembly .....	2-28, 2-29
Valance Assembly (Shell/Texaco) Used with SGI Canopy .....	2-30, 2-31
Advertising Mounting Assembly .....	2-32, 2-33

### TRIM ASSEMBLY H300C & H300D SERIES

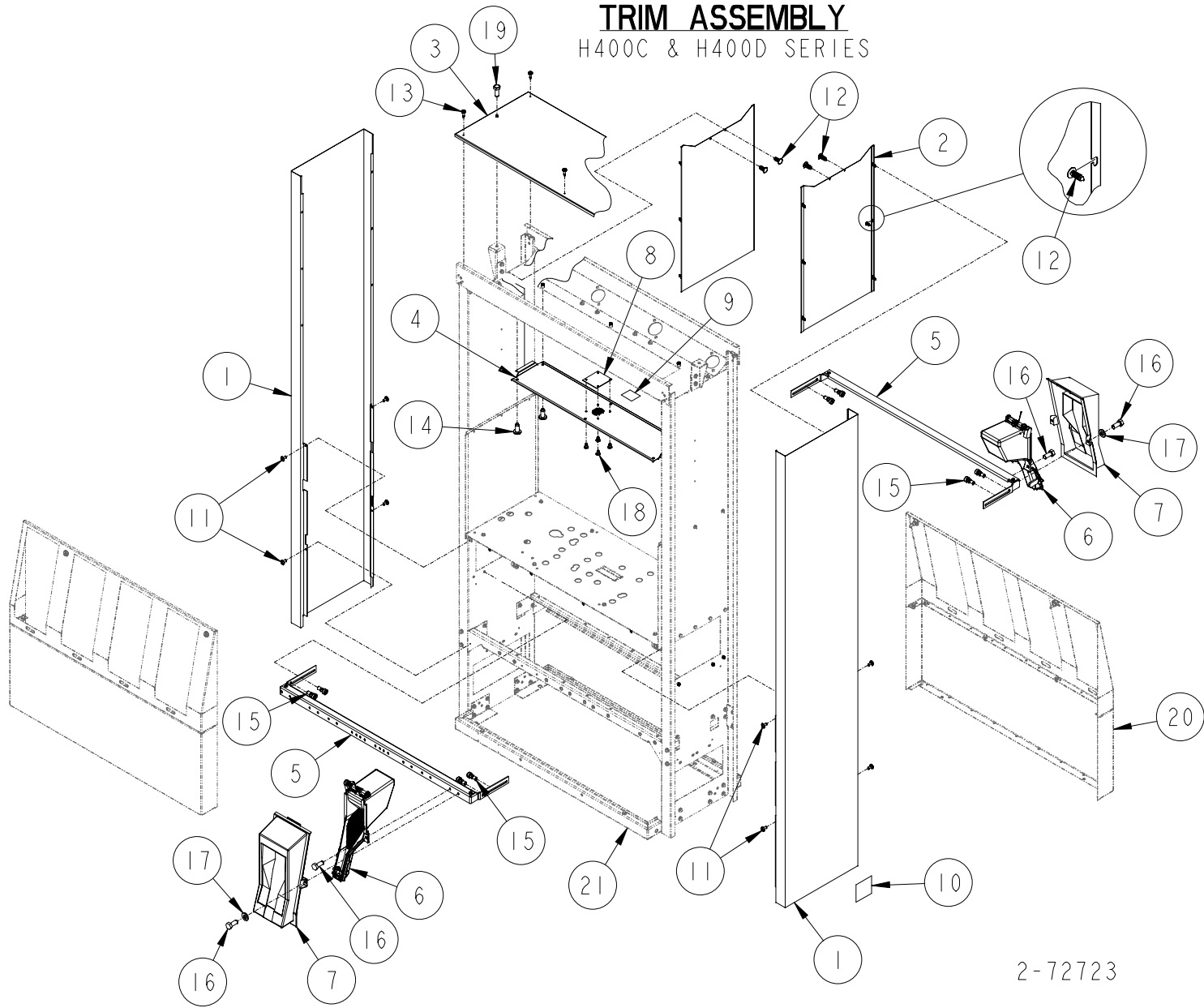


## TRIM ASSEMBLY H300C & H300D SERIES

ITEM NO.	PART NO.	DESCRIPTION	ITEM NO.	PART NO.	DESCRIPTION
1	<u>Outside Post Cover</u>		9	1-226268	Decalcomania
	1-422653	Stainless Steel	10	1-225094	Decal (Unleaded)
	3-422653	Painted	11	1-126964	#8-32 x 3/8" Long Truss Head Thread Cutting Screw
2	<u>Inside Post Cover</u>		12	1-233702	Christmas Tree Clip
	1-422654	Stainless Steel	13	1-131282	#8-32 x 1/2" Long Seal Screw
	3-422654	Painted	14	466-54928	5/16-18 x 3/4" Long Phillips Pan Head Machine Screw
	4-422654	Stainless Steel "Ad Sign"			
	1-422990	Stainless Steel (High Volume Satellite only)	15	1-232838	Shoulder Socket Screw
	3-422990	Painted (High Volume Satellite only)		37-50361	5/16-18 x 1-1/2" Long Hex Head Cap Screw
	4-422990	Stainless Steel "Ad Sign" (High Volume Satellite only)			
3	1-422691	Raceway Cover	16	20-51491	5/16 x 3/4" Long P-K Self Tapping Screw
4	2-422611	Bottom Access Door	17	08-50621	5/16" Plain Washer
5	321318-1	Boot Support Assembly	18	2-132721	Snap Rivet
6	<u>For parts call out of Boot Assembly see</u>		19	1-230958	5/16-18 x 3/4" Long Hex Head Cap Screw
	72366	Lift Lever	20		<u>For parts call out of Door Assembly see 72734.</u>
	72552	Standard	21		<u>For parts call out of Chassis Assembly see 72779.</u>
7	<u>Nozzle Boot Shroud</u>				<u>Reference for Tokheim internal use only:</u>
	1-421067	Black			321204 Chassis Assembly
	7-421067	Gray			321216 Trim Assembly
					321218 Final Assembly
					422740 Raceway Assembly
8	1-230783	Speaker Baffle			

# TRIM ASSEMBLY

H400C & H400D SERIES



2-72723

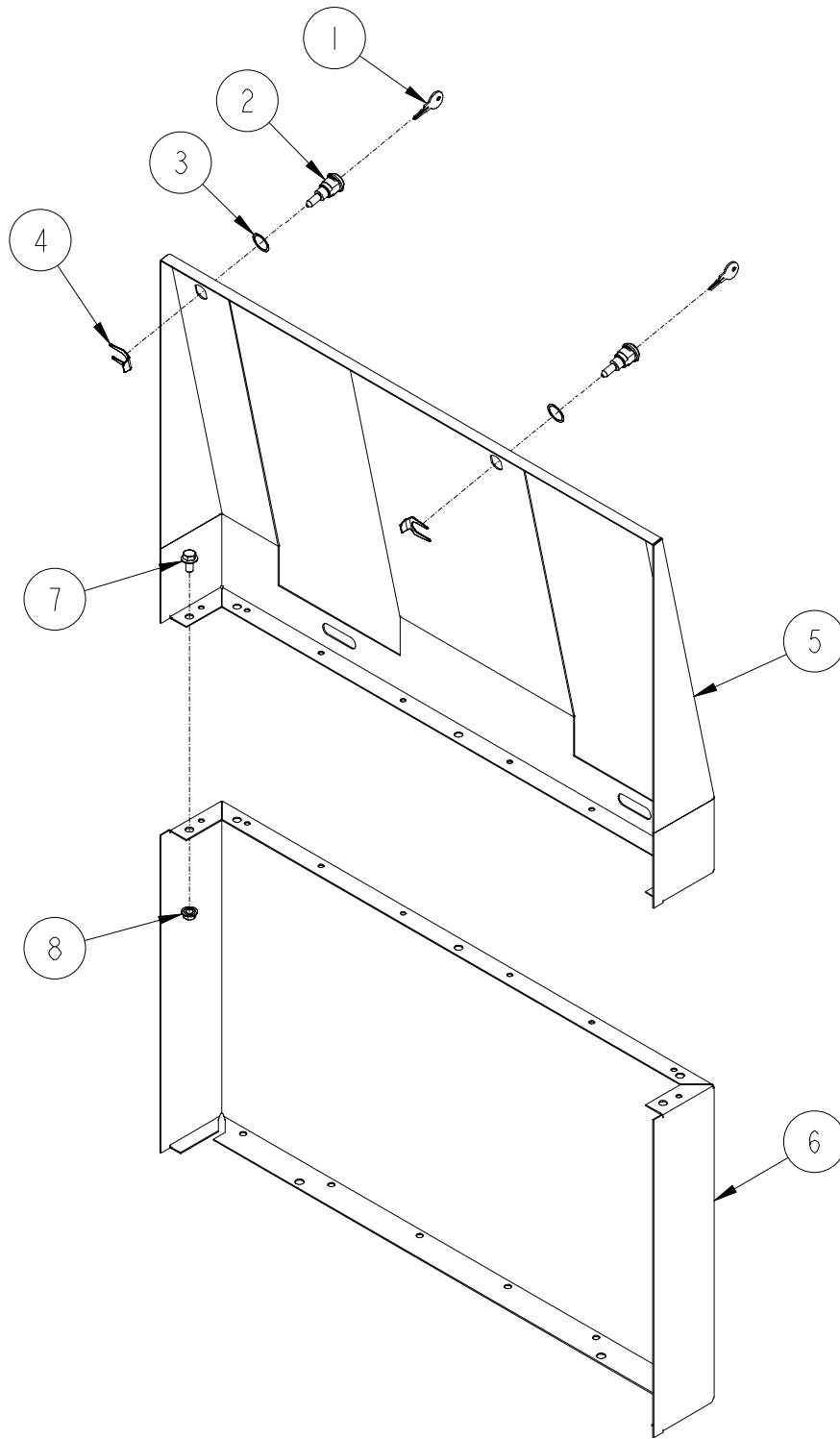
## TRIM ASSEMBLY H400C & H400D SERIES

ITEM NO.	PART NO.	DESCRIPTION	ITEM NO.	PART NO.	DESCRIPTION
1	<u>Outside Post Cover</u>		11	1-126964	#8-32 x 3/8" Long Truss Head Thread Cutting Screw
	1-422653	Stainless Steel	12	1-233702	Christmas Tree Clip
	3-422653	Painted	13	1-131282	#8-32 x 1/2" Long Seal Screw
2	<u>Inside Post Cover</u>		14	466-54928	5/16-18 x 3/4" Long Phillips Pan Head Machine Screw
	1-422654	Stainless Steel	15	1-232838	Shoulder Socket Screw
	3-422654	Painted		37-50361	5/16-18 x 1-1/2" Long Hex Head Cap Screw
	4-422654	Stainless Steel "Ad Sign"	16	20-51491	5/16 x 3/4" Long P-K Self Tapping Screw
3	1-422690	Raceway Cover	17	08-50621	5/16" Plain Washer
4	1-422611	Bottom Access Door	18	2-132721	Snap Rivet
5	321318-2	Boot Support Assembly	19	1-230958	5/16-18 x 3/4" Long Hex Head Cap Screw
6	<u>For parts call out of Boot Assembly see</u>		20	<u>For parts call out of Door Assembly see 72734.</u>	
	72366	Lift Lever	21	<u>For parts call out of Chassis Assembly see 72779.</u>	
	72552	Standard			
7	<u>Nozzle Boot Shroud</u>				<u>Reference for Tokheim internal use only:</u>
	1-421067	Black			321153 Chassis Assembly
	7-421067	Gray			321214 Trim Assembly
					321217 Final Assembly
					422624 Raceway Assembly
8	1-230783	Speaker Baffle			
9	1-226268	Decalomania			
10	1-225094	Decal (Unleaded)			

2-72723

Outer Shell

DOOR ASSEMBLY

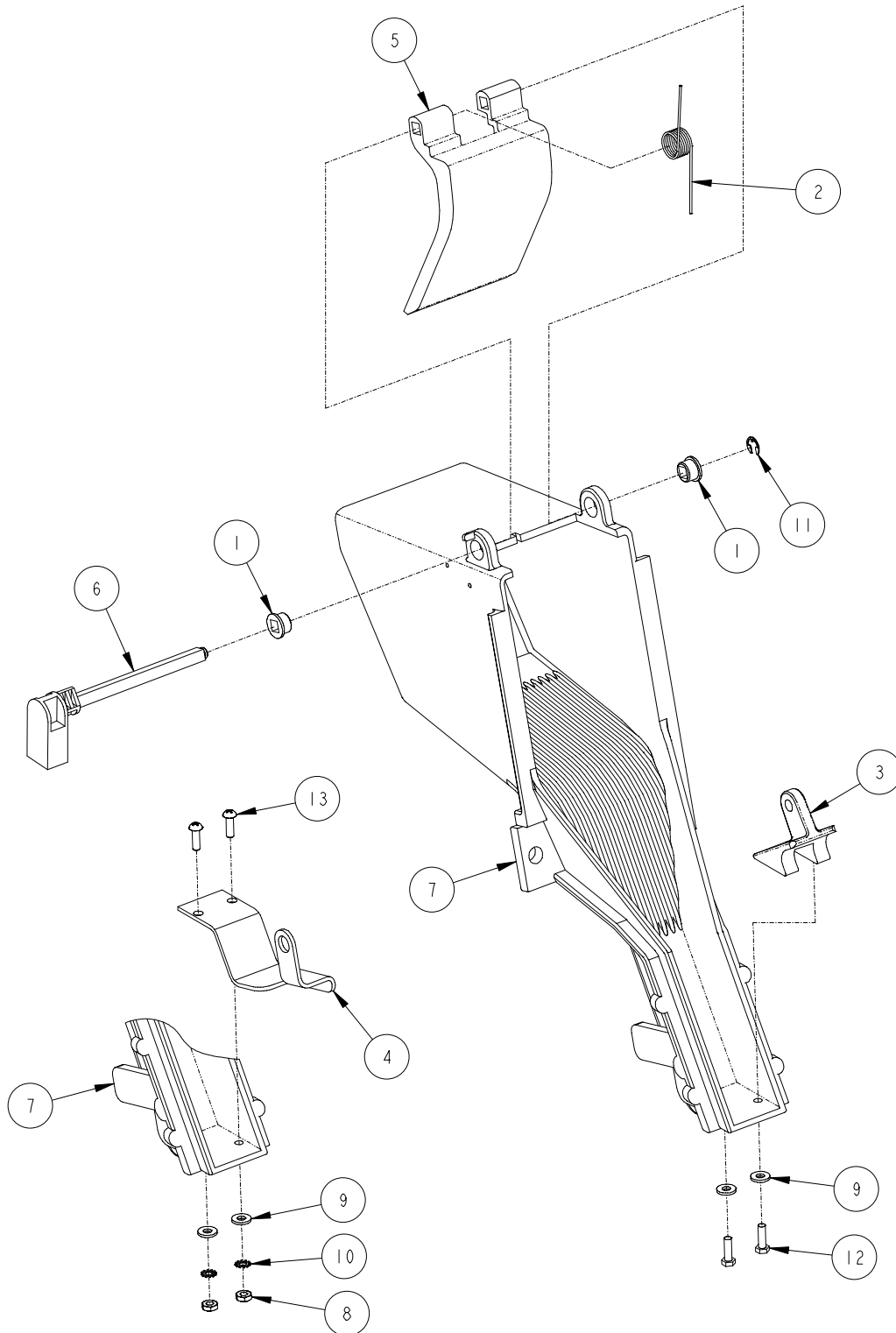


1-72734

## DOOR ASSEMBLY

ITEM NO.	PART NO.	DESCRIPTION	ITEM NO.	PART NO.	DESCRIPTION
1	1-131381	TPX 83 Key			
2	1-232841	Door Lock (Includes items 1 & 4)			
3	2-127656	Lock Gasket	6-422644		H411D Side "B", H412D Side "B", H413D Side "B", H414D Side "B"
4	3-217160	Spring Clip			
5	<u>Upper Access Door (Painted)</u>				
	1-422644	H413C Side "A", H426C H413D Side "A", H426D			
	3-422644	H411C Side "B", H412C Side "B", H413C Side "B", H414C Side "B", H411D Side "B", H412D Side "B", H413D Side "B", H414D Side "B"	8-422644		H414C Side "A", H428C Side "B", H414D Side "A", H428D Side "B"
	5-422644	H414C Side "A", H428C Side "B", H414D Side "A", H428D Side "B"	10-422644		H411C Side "A", H422C H411D Side "A", H422D
	7-422644	H411C Side "A", H422C H411D Side "A", H422D			
	9-422644	H412C Side "A", H412D Side "A", H412C-B3/5 Side "A", H424C, H424D, H424C-B3/5	14-422644		H412C Side "A", H412D Side "A", H412C-B3/5 Side "A", H424C, H424D, H424C-B3/5
	13-422644	H422C & H422D (Center Boot Cutout)			
	1-422657	H312C Side "A", H324C H312D Side "A", H324D	2-422657		H422C & H422D (Center Boot Cutout)
	3-422657	H311C Side "B", H311D Side "B", H311C-B3/5 Side "B", H312C Side "B", H312D Side "B"	4-422657		H312C Side "A", H324C, H312D Side "A", H324D
	5-422657	H322C-B3/5 Side "B"	6-422657		H311C Side "B", H312C Side "B", H311D Side "B", H312D Side "B"
	7-422657	H311C Side "A", H311D Side "A", H311C-B3/5 Side "A", H322C Side "A", H322D Side "A", H322C-B3/5 Side "A"	8-422657		H322C-RB3/5 Side "B"
	<u>Upper Access Door (Stainless Steel)</u>				
	2-422644	H413C Side "A", H426C, H413D Side "A", H426D			
	4-422644	H411C Side "B", H412C Side "B", H413C Side "B", H414C Side "B"			
			6	<u>Lower Access Door</u>	
				1-422659	30" Series (Painted)
				1-422632	45" Series (Painted)
				2-422632	45" Series (Stainless Steel)
			7	35-55132	5/16-18 x 5/8" Long M-F Flange Whiz Lock Screw
			8	02-54752	5/16-18 M-F Flange Whiz Lock Nut
				<u>For Tokheim internal use only:</u>	
				321217	H400C Final Assembly
				321218	H300C Final Assembly
				422645	Upper Door Assembly
					1-72734

NOZZLE BOOT ASSEMBLY



NOZZLE EXTENSION

2-72552

---

## NOZZLE BOOT ASSEMBLY

---

ITEM NO.	PART NO.	DESCRIPTION
1	1-231835	Nozzle Boot Bearing
2	1-232299	Torsion Spring
3	C-232836	Lock Plate
4	232729-3	Nozzle Boot Service Kit Assembly (Extension) (Includes items 8, 9, 10 & 13)
5	1-320160	Nozzle Boot Flap
6	1-320489	Nozzle Boot Mercury Switch
7	422202-1	Nozzle Boot Assembly
8	05-50211	#10-24 Hex Nut
9	05-50622	#10 Plain Washer
10	05-50761	#10 Shakeproof Lockwasher
11	12-52482	Truarc Retaining Ring
12	10-53532	#10-24 x 5/8" Long P-K Hex Head Self Tapping Screw
13	253-54911	#10-24 x 9/16" Long Pan Head Machine Screw

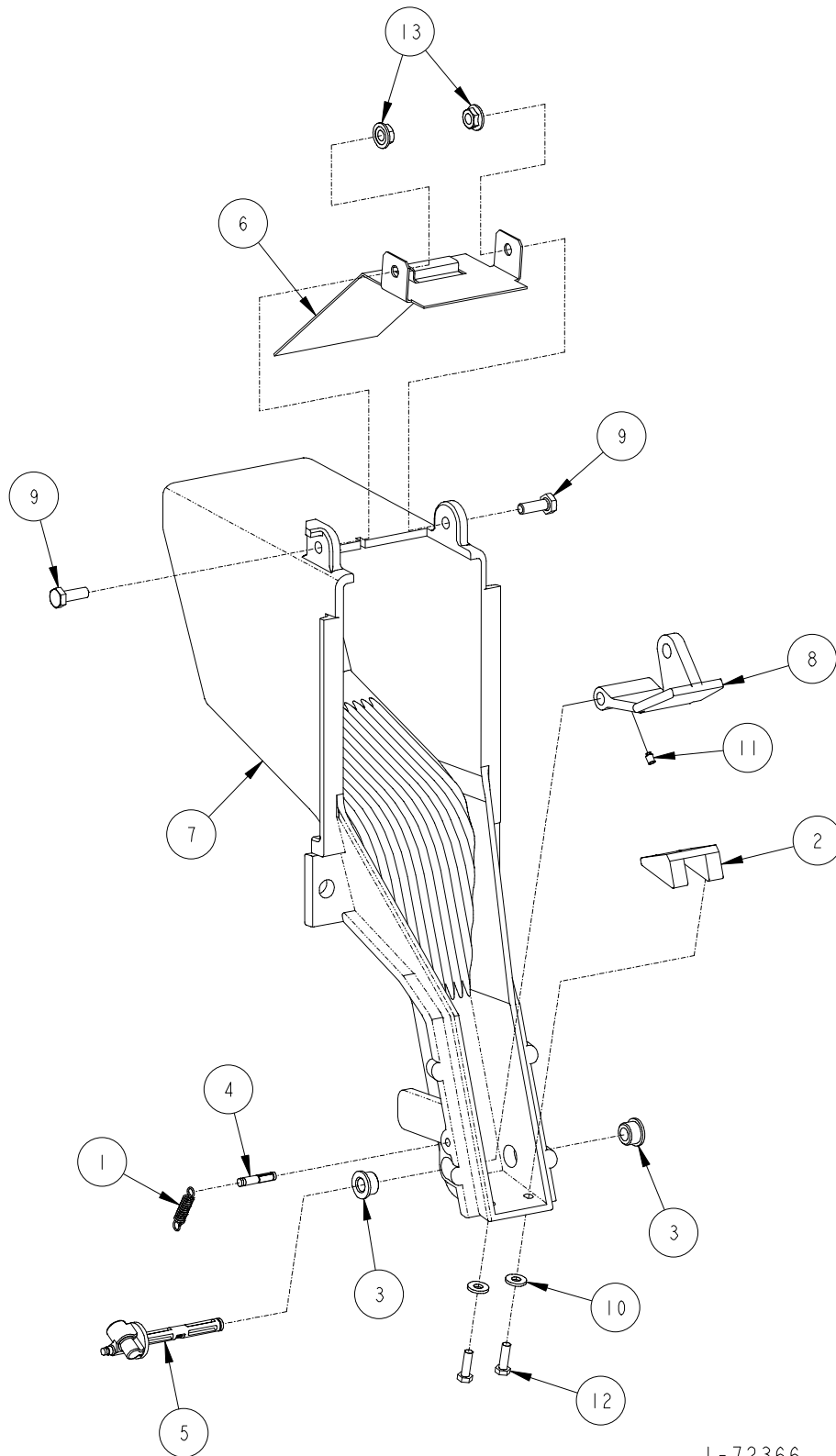
For complete Nozzle Boot Assembly order:

422202-1	Standard
422202-3	Extension

2-72552



LIFT LEVER NOZZLE BOOT ASSEMBLY



1-72366

---

## LIFT LEVER NOZZLE BOOT ASSEMBLY

---

ITEM NO.	PART NO.	DESCRIPTION
1	1-132827	Extension Spring
2	2-231868	Stop Plate
3	1-232773	Nozzle Boot Bearing
4	1-232897	Pin Grooved
5	1-320522	Mercury Switch
6	1-320633	Nozzle Restraint Bracket
7	422202-2	Nozzle Boot Assembly
8	1-422259	Lift Lever
9	03-50361	1/4-20 x 3/4" Long Hex Head Cap Screw
10	05-50622	#10 Plain Washer
11	303-50757	#8-32 x 1/4" Long Set Screw
12	10-53532	#10-24 x 5/8" Long P-K Hex Head Self Tapping Screw
13	01-54752	1/4-20 M-F Flange Whiz Lock Nut

For complete Nozzle Boot Assembly order: 422202-2

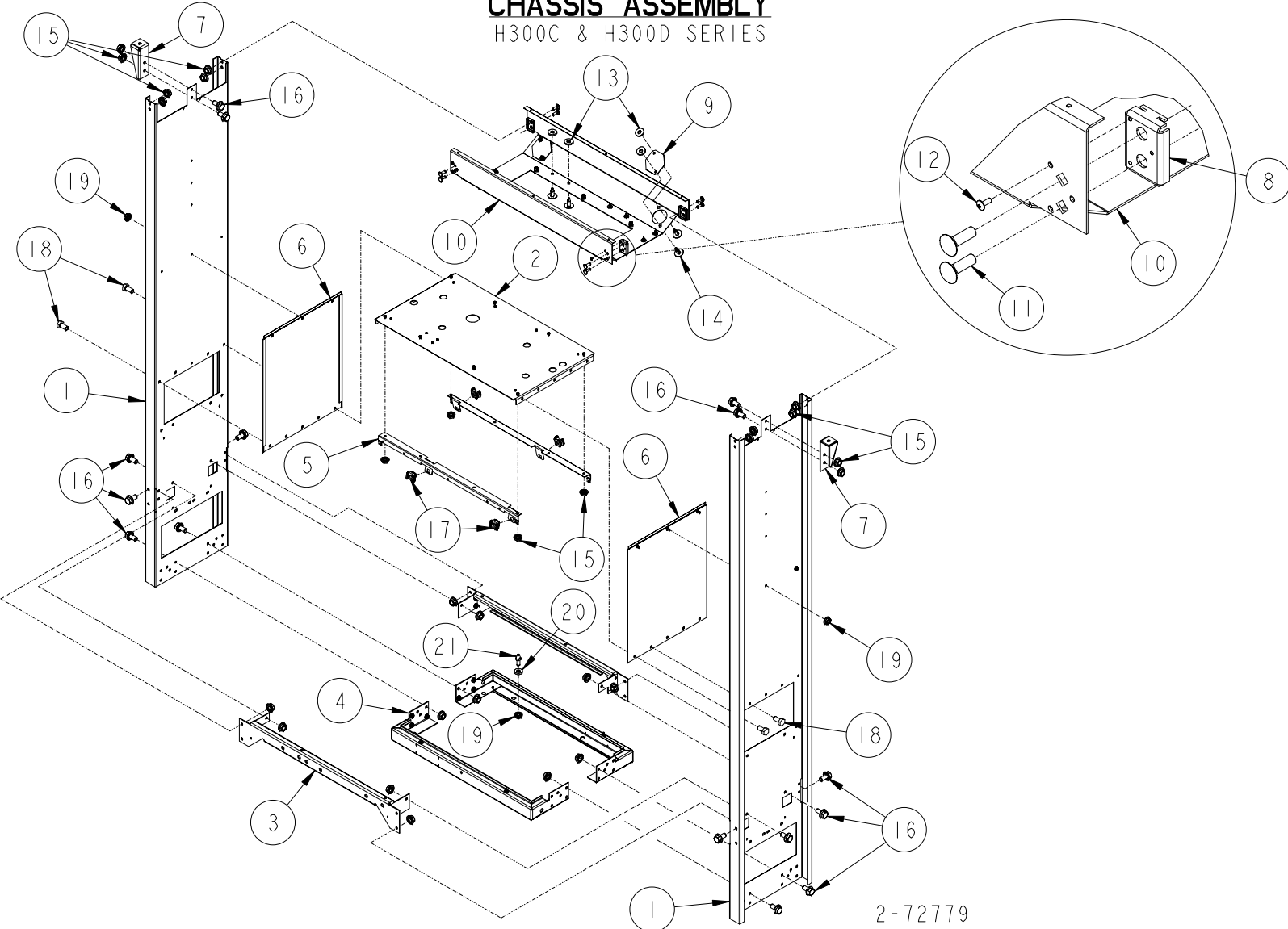
Lift to Start Kit order 233081-1

1-72366

2

# CHASSIS ASSEMBLY

H300C & H300D SERIES



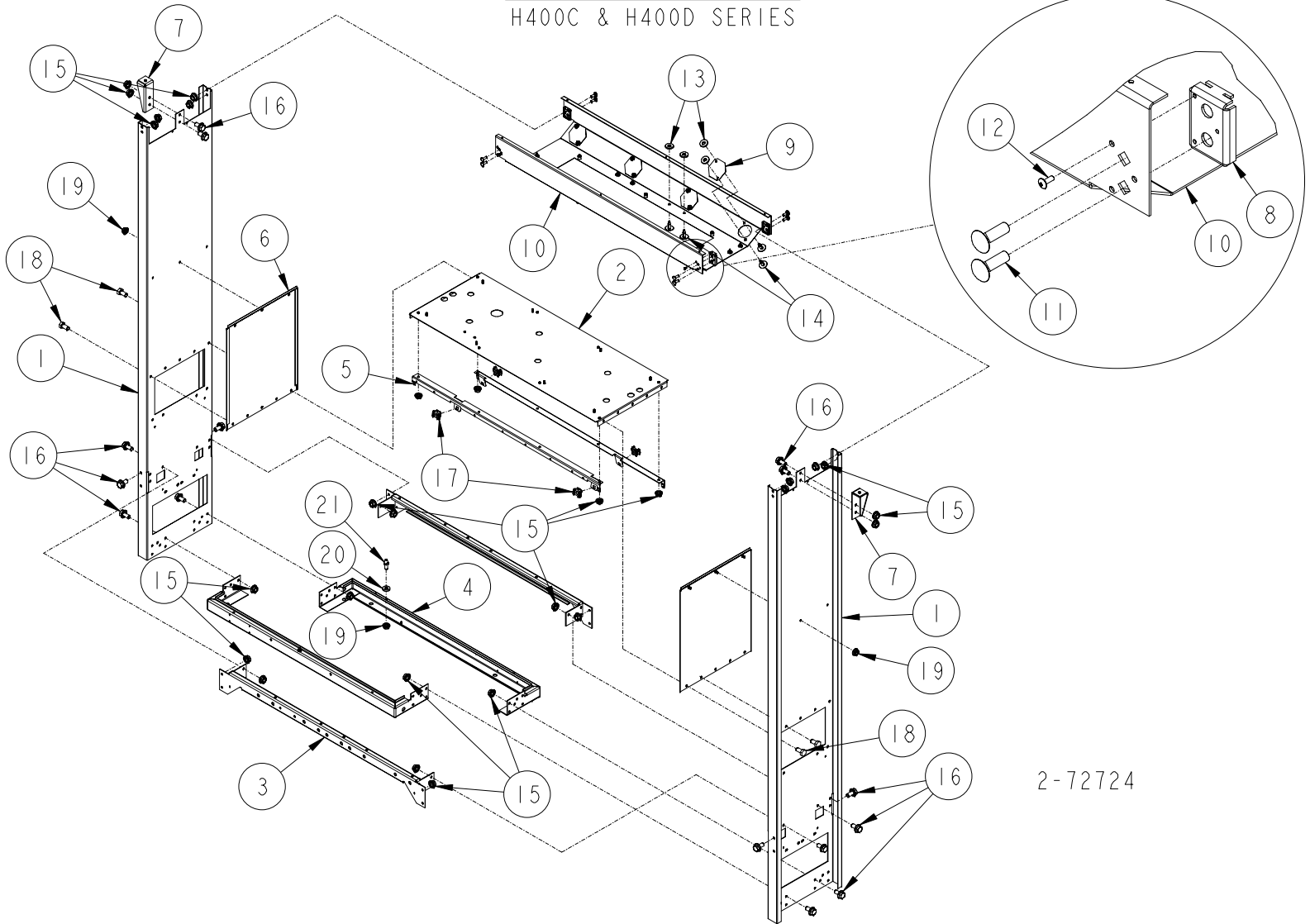
2-72779

## CHASSIS ASSEMBLY

### H300C & H300D SERIES

ITEM NO.	PART NO.	DESCRIPTION	ITEM NO.	PART NO.	DESCRIPTION
1	233726-1	Column Assembly	15	02-54752	5/16-18 x 5/8" Long M-F Flange Whiz Lock Screw
2	<u>Barrier Plate Assembly</u>		16	35-55132	5/16-18 x 5/8" Long M-F Flange Whiz Lock Washer Screw
	422684-1	H312C, H324C, H312D, H324D	17	1-232914	Nut Retainer
	422684-2	H311C, H322C, H311D, H322D	18	20-51491	5/16 x 3/4" Long Self Tapping Screw
	422684-3	H322C-B3/5	19	01-54752	1/4-20 M-F Flange Whiz Lock Nut
	422972-1	H311C-RHVM, H322C-RHVMS, H322C-RHVMM & H324C-RHVMS	20	1-132982	Door Washer
	423359-1	H311C-RHVS & H312C-RHVSS	21	1-132981	Door Pin
3	422606-3	Meter Mounting Rail Assembly	<u>Reference for Tokheim internal use only:</u>		
4	321239-2	Base Assembly	321097		Frame Assembly
5	1-422674	Door Lock Bracket	321204		Chassis Assembly
6	422753-1	Vapor Panel Assembly	422740		Raceway Assembly
7	321081-1	Lift Bracket Weld Assembly			2-72779
8	1-321101	Raceway Spacer			
9	1-232320	Cover Plate			
10	321240-2	Raceway Assembly			
11		Carriage Bolt			
12	2-230689	#6 x 3/8" Long Phillips Head Self Tapping Screw			
13	1-114438	Washer			
14	1-232311	Tuflok Screw			

### CHASSIS ASSEMBLY H400C & H400D SERIES



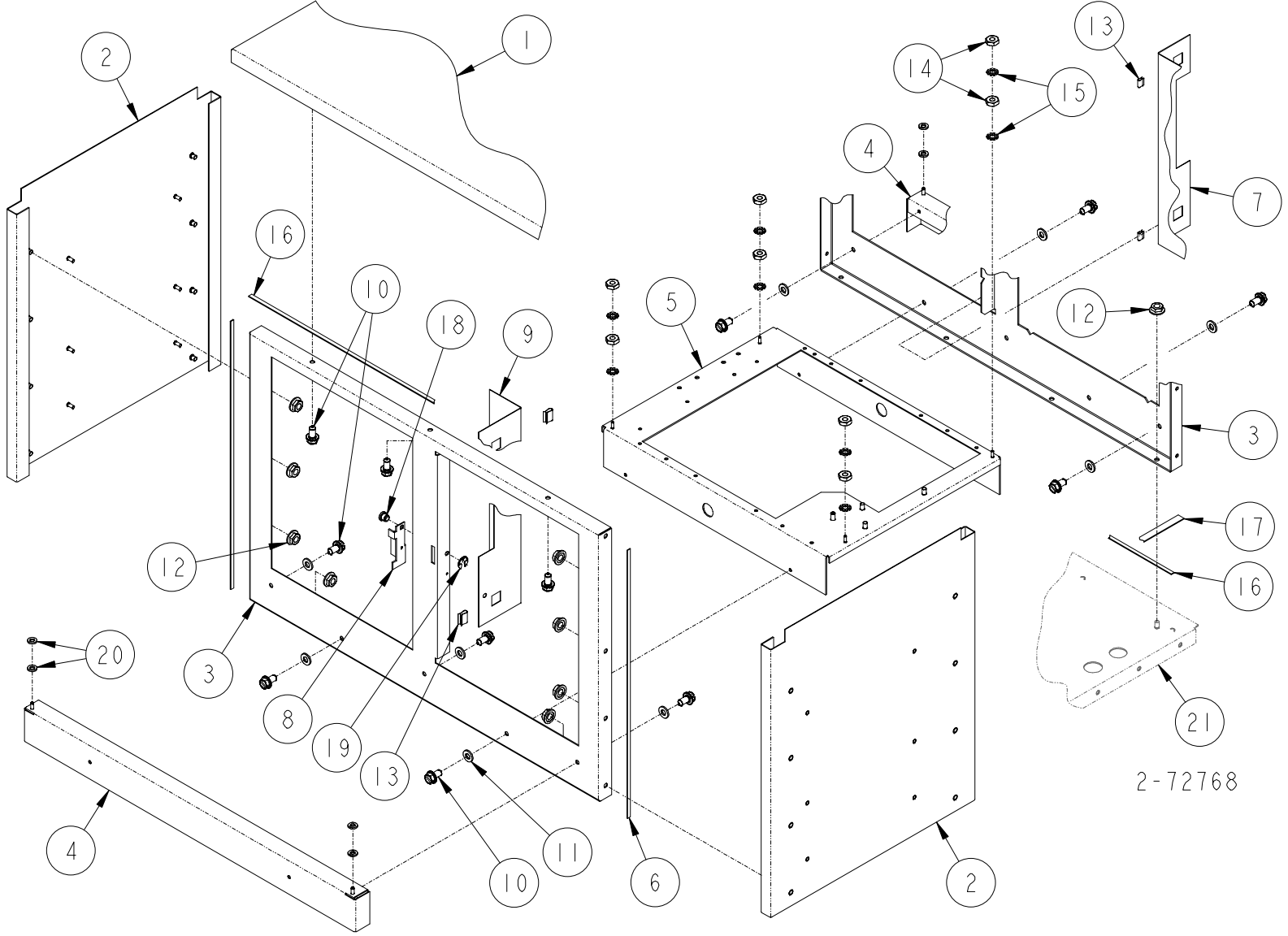
2-72724

## CHASSIS ASSEMBLY

### H400C & H400D SERIES

ITEM NO.	PART NO.	DESCRIPTION	ITEM NO.	PART NO.	DESCRIPTION
1	233726-1	Column Assembly	12	2-230689	#6 x 3/8" Long Phillips Head Self Tapping Screw
2	<u>Barrier Plate Assembly</u>		13	1-114438	Washer
	422647-1	H413C, H422C, H426C, H413D, H422D, H426D	14	1-232311	Tuflok Screw
	422647-2	H412C, H414C, H424C, H428C, H412D, H414D, H424D, H428D	15	02-54752	5/16-18 x 5/8" Long M-F Flange Whiz Lock Screw
	422647-3	H422C-B3/5	16	35-55132	5/16-18 x 5/8" Long M-F Flange Whiz Lock Washer Screw
	422647-4	H424C-B3/4	17	1-232914	Nut Retainer
	422647-5	H413C-EB & H426C-EB	18	20-51491	5/16 x 3/4" Long Self Tapping Screw
	422647-6	H428C-EB	19	01-54752	1/4-20 M-F Flange Whiz Lock Nut
3	<u>Meter Mounting Rail Assembly</u>		20	1-132982	Door Washer
	422606-1	All models except listed below	21	1-132981	Door Pin
	422606-2	H414C, H414D, H428C, H428D			<u>Reference for Tokheim internal use only:</u>
4	321239-1	Base Assembly		321093	Frame Assembly
5	1-422673	Door Lock Bracket		321153	Chassis Assembly
6	422753-1	Vapor Panel Assembly		422624	Raceway Assembly
7	321081-1	Lift Bracket Weld Assembly			2-72724
8	1-321101	Raceway Spacer			
9	1-232320	Cover Plate			
10	321240-1	Raceway Assembly			
11		Carriage Bolt			

# HEAD ASSEMBLY (H300C SERIES)

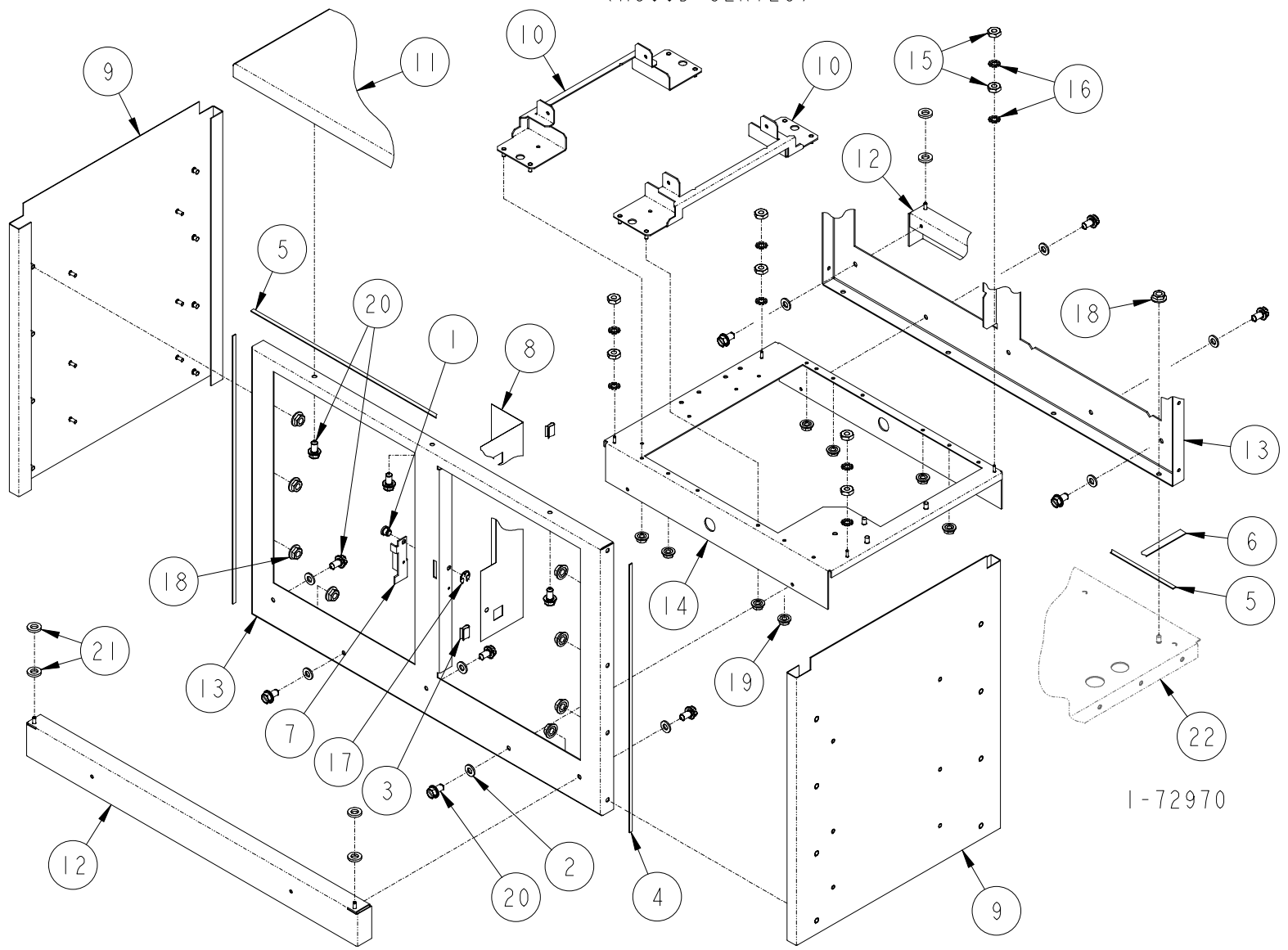


2-72768

## HEAD ASSEMBLY (H300C SERIES)

ITEM NO.	PART NO.	DESCRIPTION	ITEM NO.	PART NO.	DESCRIPTION
1	2-422629	Top Enclosure	12	<u>M-F Flange Whiz Lock Nut</u>	
2	<u>Enclosure Side Assembly</u>			01-54752	1/4-20 (Serial Number & Below)
	422626-2	Serial Number & Below		03-54752	#10-24 (Serial Number & Above)
	423032-2	Serial Number & Above	13	1-132845	"U" Clip
3	<u>Enclosure Dial Support</u>		14	03-50211	#6 Hex Machine Nut
	1-422638	Serial Number & Below	15	03-50762	#6 Shakeproof Lockwasher
	1-423033	Serial Number & Above	16	23-231860	Cushion (.25 x 29.8)
4	<u>Dial Hinge Supportl Assembly</u>		17	24-231860	Cushion (.5 x 15)
	422631-2	Serial Number & Below	18	2-130330	Pivot Pin
	423042-2	Serial Number & Above	19	06-52482	Truarc Retaining Ring
5	422640-1	UDC-DPT Support Assembly	20	2-131445	Nylon Washer
6	22-231860	Cushion	21	<u>For parts call out of Chassis Assembly see 72724.</u>	
7	1-422710	AC Power Shield		<u>Reference for Tokheim internal use only:</u>	
8	1-233665	Money/Volume Door Lock		321096	Head Assembly
9	1-321130	AC Power Shield		321204	Chassis Assembly
10	69-55392	1/4-20 x 1/2" Long Hex Washer Head Tapping Screw			2-72768
11	1-132708	Washer			

### HEAD ASSEMBLY (H300D SERIES)

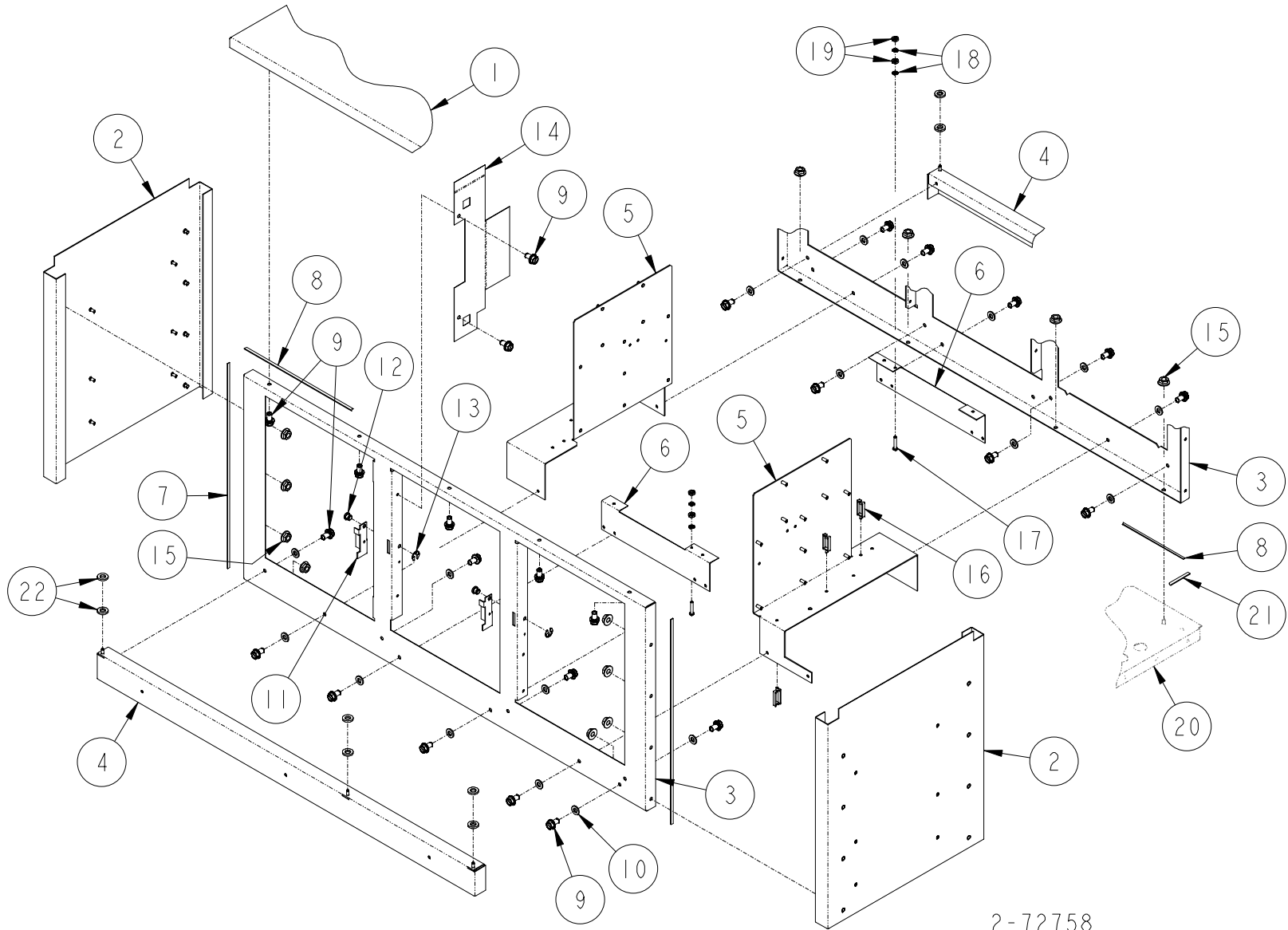


1-72970

## HEAD ASSEMBLY (H300D SERIES)

ITEM NO.	PART NO.	DESCRIPTION	ITEM NO.	PART NO.	DESCRIPTION
1	2-130330	Pivot Pin	22		<u>For parts call out of Chassis Assembly see 72724.</u>
2	1-132708	Washer			
3	1-132845	"U" Clip			
4	22-231860	Cushion			
5	23-231860	Cushion (.25 x 29.8)			
6	24-231860	Cushion (.5 x 15)			
7	1-233665	Money/Volume Door Lock			
8	1-321130	AC Power Shield			
9	423032-2	Enclosure Side Assembly			
10	321472-1	Mounting Bracket Assembly			
11	2-422629	Top Enclosure			
12	423042-2	Dial Hinge Supportl Assembly			
13	1-423033	Enclosure Dial Support			
14	422640-1	UDC-DPT Support Assembly			
15	03-50211	#6 Hex Machine Nut			
16	03-50762	#6 Shakeproof Lockwasher			
17	06-52482	Truarc Retaining Ring			
18	01-54752	1/4-20 M-F Flange Whiz Lock Nut			
19	03-54752	5/16-18 M-F Flange Whiz Lock Nut			
20	69-55392	1/4-20 x 1/2" Long Hex Washer Head Tapping Screw			
21	2-131445	Nylon Washer			
					<u>Reference for Tokheim internal use only:</u>
			321306		H300D Head Assembly
					<i>1-72970</i>

# HEAD ASSEMBLY (H400C SERIES)

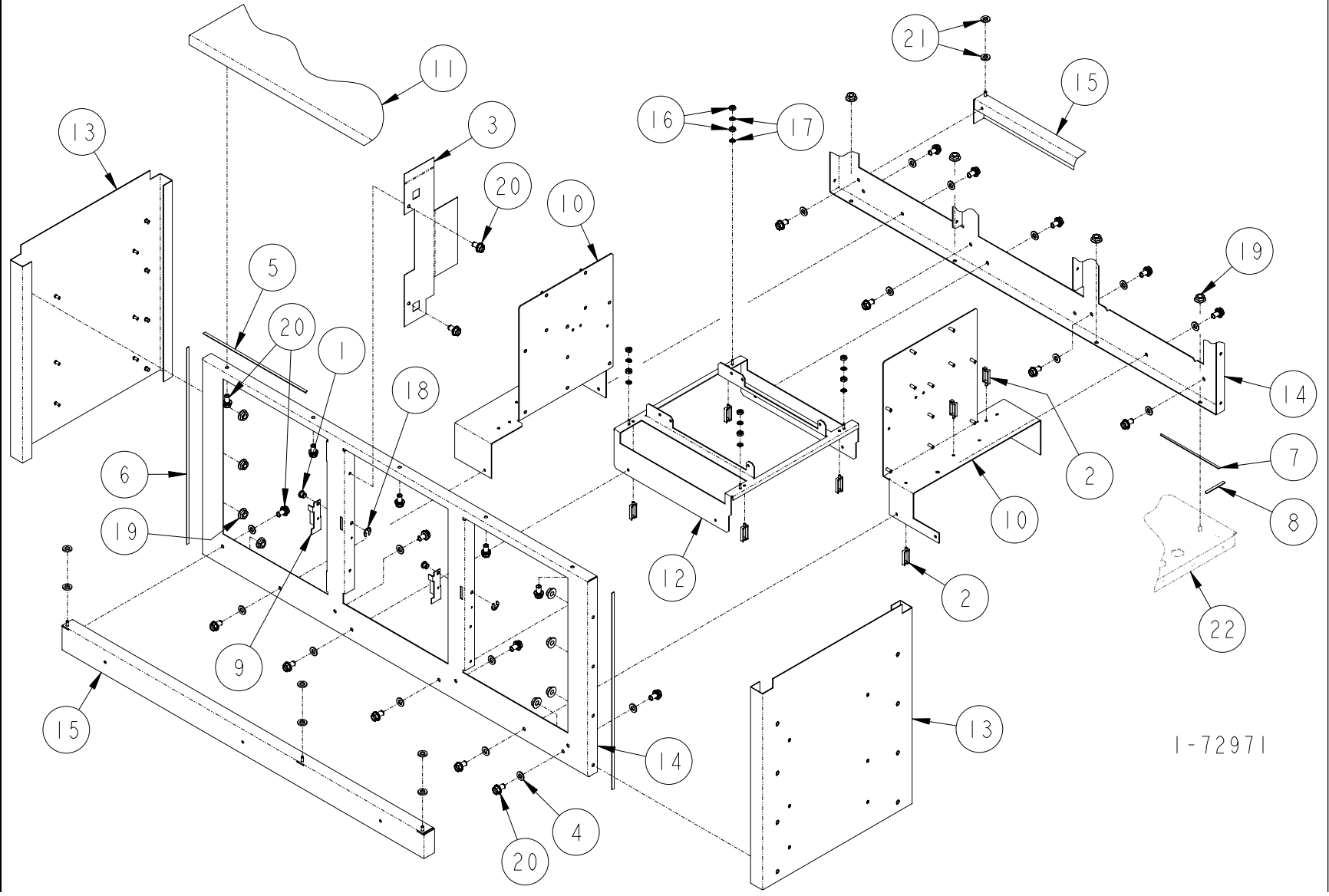


2-72758

## HEAD ASSEMBLY (H400C SERIES)

ITEM NO.	PART NO.	DESCRIPTION	ITEM NO.	PART NO.	DESCRIPTION
1	1-422629	Top Enclosure	14	1-321130	AC Power Shield
2	<u>Enclosure Side Assembly</u>		15	<u>M-F Flange Whiz Lock Nut</u>	
	422626-1	Serial Number & Below		01-54752	1/4-20 (Serial Number & Below)
	423032-1	Serial Number & Above		03-54752	#10-24 (Serial Number & Above)
3	<u>Enclosure Dial Support</u>		16	1-132718	Cable Retainer
	1-422669	Serial Number & Below	17	100-50021	#6-32 x 3/4" Long Phillips Round Head Machine Screw
	1-423034	Serial Number & Above	18	03-50762	#6 Shakeproof Lockwasher
4	<u>Dial Hinge Support Assembly</u>		19	03-50211	#6 Hex Machine Nut
	422631-1	Serial Number & Below	20	<u>For parts call out of Chassis Assembly see 72724.</u>	
	423042-1	Serial Number & Above	21	24-231860	Cushion (.5 x 15)
5	321078-1	DPT/Enclosure Support Assembly	22	2-131445	Nylon Washer
6	1-321116	UDC Support		<u>Reference for Tokheim internal use only:</u>	
7	22-231860	Cushion		321084	H400C Head Assembly
8	21-231860	Cushion			
9	69-55392	1/4-20 x 1/2" Long Hex Washer Head Tapping Screw			2-72758
10	1-132708	Washer			
11	1-233665	Money/Volume Door Lock			
12	2-130330	Pivot Pin			
13	06-52482	Truarc Retaining Ring			

# HEAD ASSEMBLY (H400D SERIES)

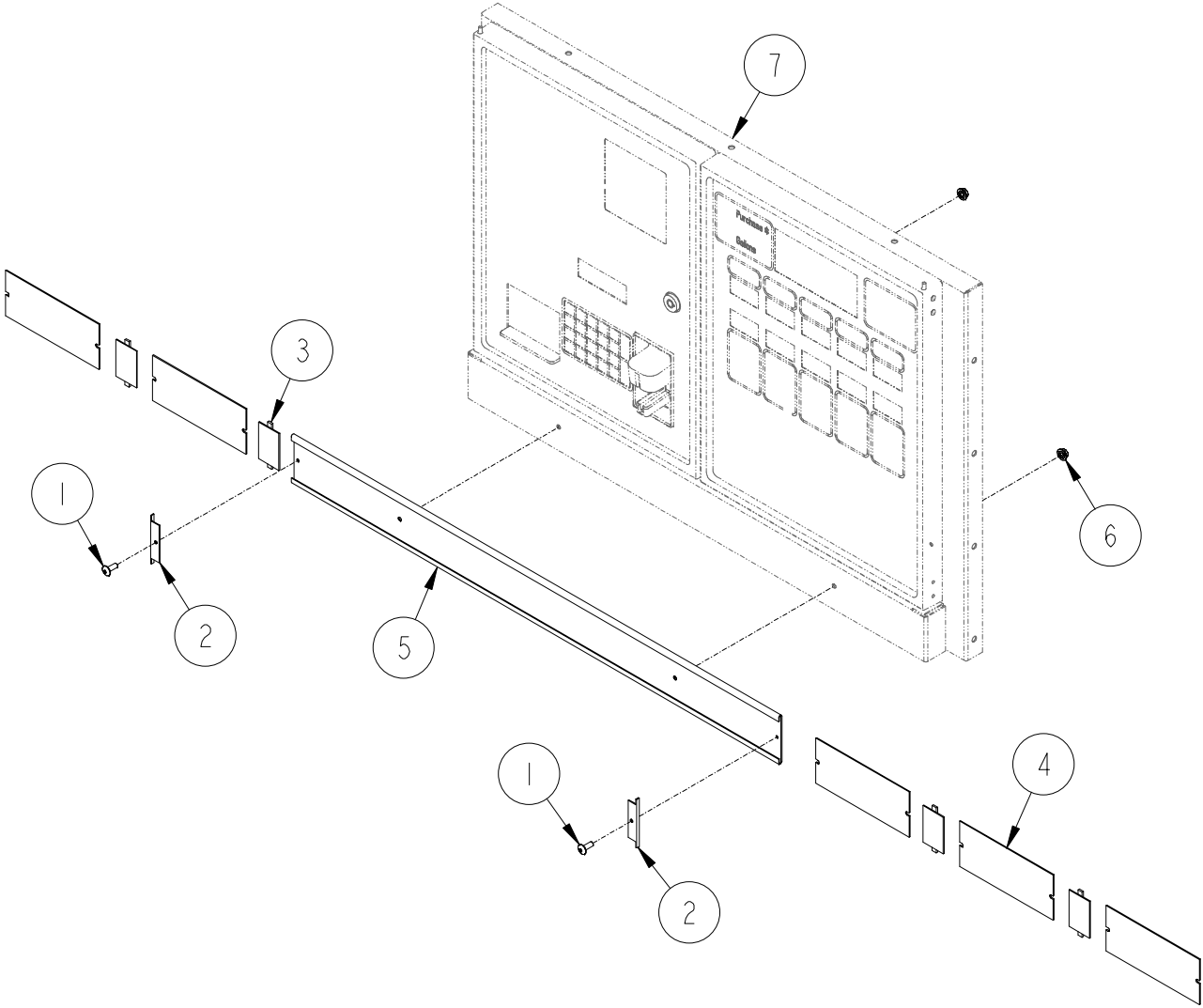


1-72971

## HEAD ASSEMBLY (H400D SERIES)

ITEM NO.	PART NO.	DESCRIPTION	ITEM NO.	PART NO.	DESCRIPTION
1	2-130330	Pivot Pin	22		<u>For parts call out of Chassis Assembly see 72724.</u>
2	1-132718	Cable Retainer			
3	1-321130	AC Power Shield			
4	1-132708	Washer			
5	21-231860	Cushion (.25 x 44.8)			
6	22-231860	Cushion			
7	23-231860	Cushion (.25 x 29.8)			
8	24-231860	Cushion (.5 x 15)			
9	1-233665	Money/Volume Door Lock			
10	321078-1	DPT/Enclosure Support Assembly			
11	1-422629	Top Enclosure			
12	422640-1	UDC-DPT Support Assembly			
13	423032-1	Enclosure Side Assembly			
14	1-423034	Enclosure Dial Support			
15	423042-1	Dial Hinge Support Assembly			
16	03-50211	#6 Hex Machine Nut			
17	03-50762	#6 Shakeproof Lockwasher			
18	06-52482	Truarc Retaining Ring			
19	01-54752	1/4-20 M-F Flange Whiz Lock Nut			
20	69-55392	1/4-20 x 1/2" Long Hex Washer Head Tapping Screw			
21	2-131445	Nylon Washer			
					<u>Reference for Tokheim internal use only:</u>
			321305		H400D Head Assembly
					<i>1-72971</i>

# H300C & H300D PRODUCT I.D. PANEL ASSEMBLY



2-72821

## H300C & H300D PRODUCT I.D. PANEL ASSEMBLY

ITEM NO.	PART NO.	DESCRIPTION
1	2-230689	#6 x 3/8" Long Phillips Head Self Tapping Screw
2	<u>End Cap</u>	
	1-233741	Black
	2-233741	Gray
3	1-233688	Product I.D. Spacer
4	<u>Product I.D. Panel</u>	
	2-422876	1 Piece
	3-422876	2 Product (Multi Piece)
	5-422876	3 Product (Multi Piece)
	6-422876	5 Product (Multi Piece)
5	422628-2	Product I.D. Channel Assembly
6	03-54752	#10-24 M-F Flange Whiz Lock Screw
7	<u>For parts call out of Head Assembly see 72768.</u>	

For Product I.D. End Cap Service Kit order: 233750-1

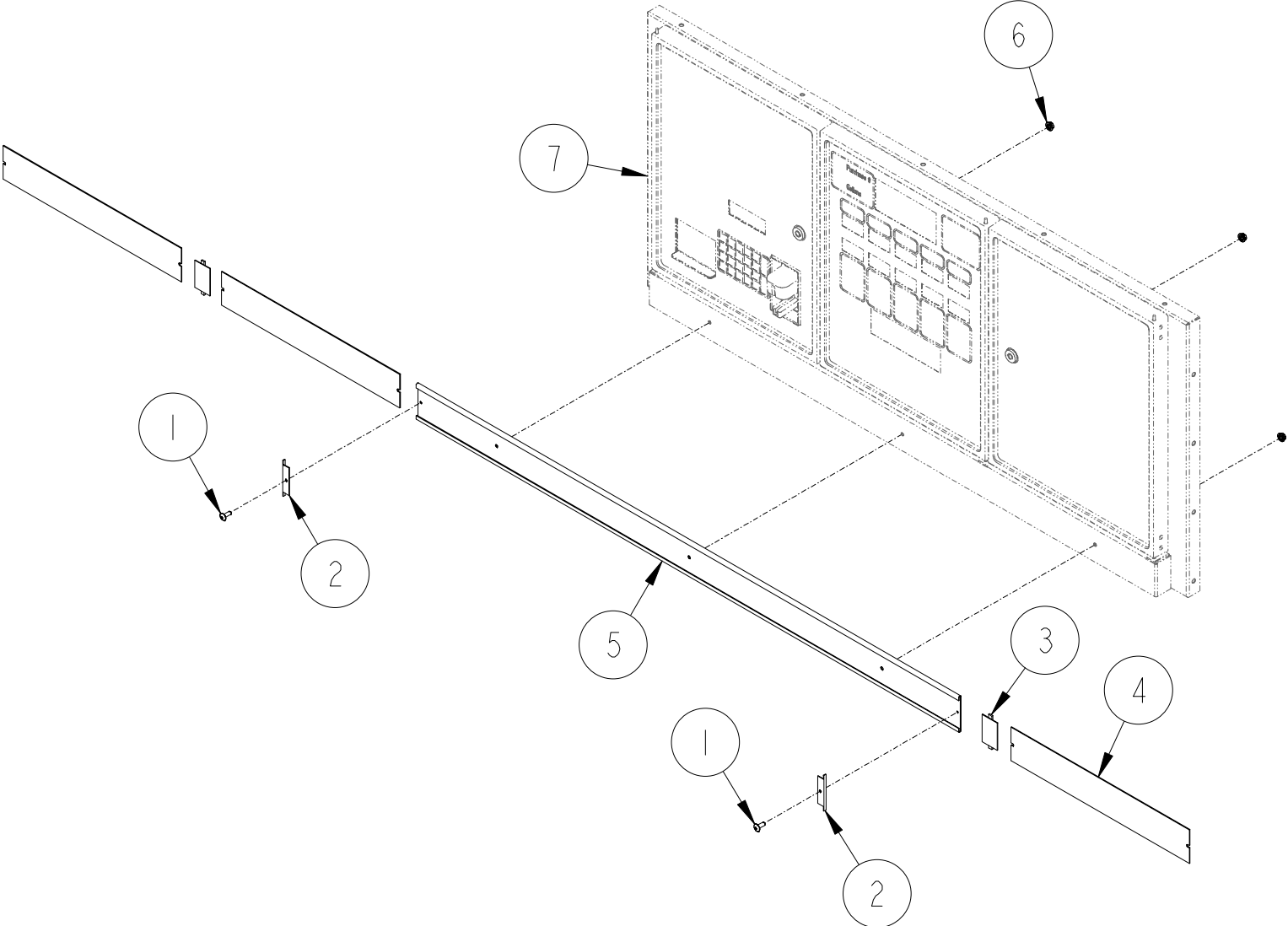
Reference for Tokheim internal use only:

321096	H300C Head Assembly
321306	H300D Head Assembly

2-72821

Outer Shell

# H400C & H400D PRODUCT I.D. PANEL ASSEMBLY



2-72822

## H400C & H400D PRODUCT I.D. PANEL ASSEMBLY

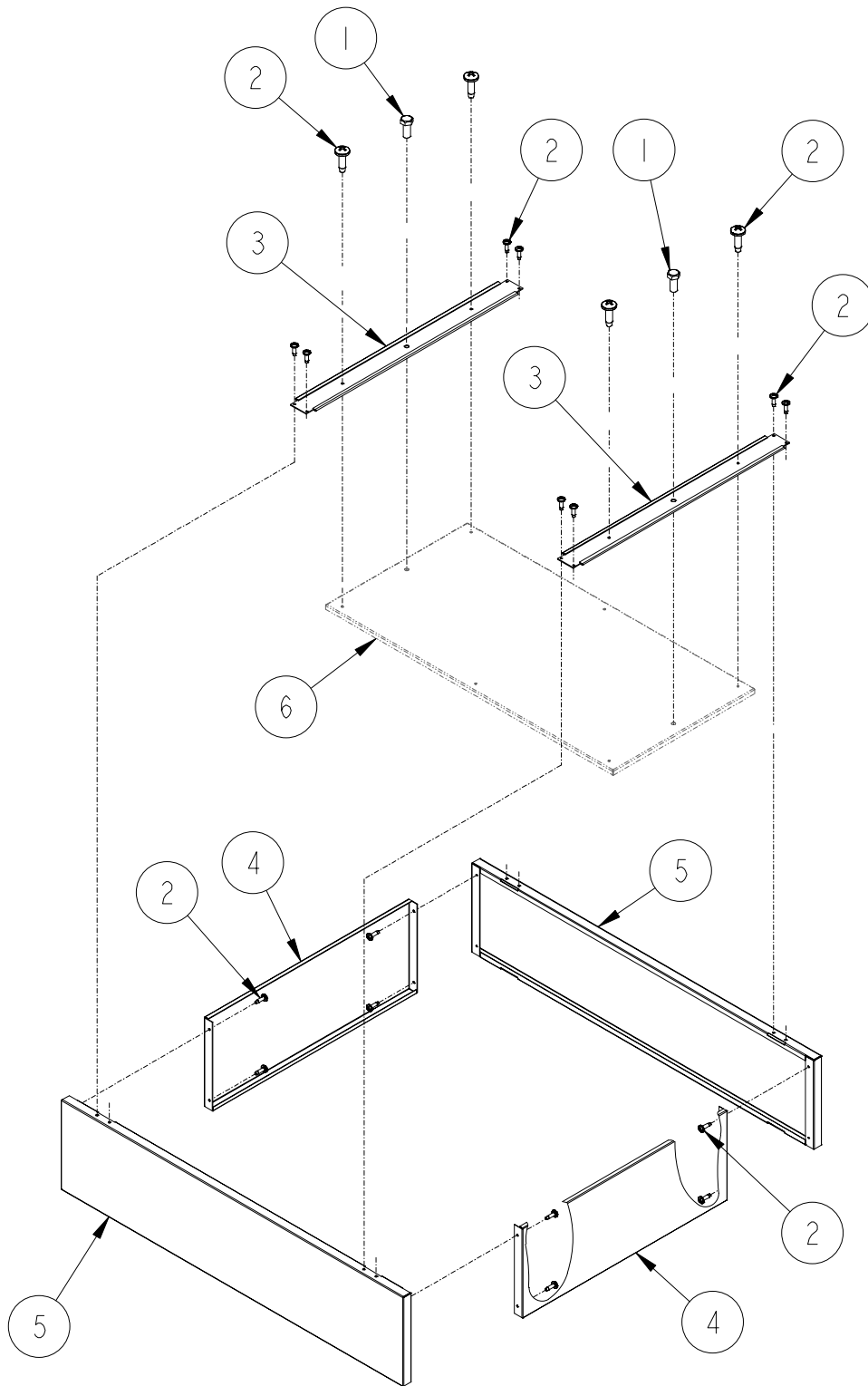
ITEM NO.	PART NO.	DESCRIPTION
1	2-230689	#6 x 3/8" Long Phillips Head Self Tapping Screw
2	<u>End Cap</u>	
	1-233741	Black
	2-233741	Gray
3	1-233688	Product I.D. Spacer
4	<u>Product I.D. Panel</u>	
	1-422876	1 Piece
	3-422876	3 Product 3 Hoses (Multi Piece)
	4-422876	4 Product (Multi Piece)
	5-422876	3 Product 1 Hose (Multi Piece) used with (1 each) 3-422876
	7-422876	5 Product (Multi Piece)
5	422628-1	Product I.D. Channel Assembly
6	03-54752	#10-24 M-F Flange Whiz Lock Screw
7	<u>For parts call out of Head Assembly see 72758.</u>	

For Product I.D. End Cap Service Kit order: 233750-1

Reference for Tokheim internal use only:

321084	H400C Head Assembly
321305	H400D Head Assembly

# VALANCE ASSEMBLY



1-72778

---

## VALANCE ASSEMBLY

---

ITEM NO.	PART NO.	DESCRIPTION
1	1-230958	#8-32 x 1/2" Long Seal Screw
2	1-131282	#8-32 x 1/2" Long Pan Head Threaded Cutting Screw
3	1-422728	Valance Mounting
4	<u>End Panel</u>	
	1-422725	Painted
	2-422725	Stainless Steel
5	<u>Side Panel</u>	
	1-422726	Painted (H400C & H400D Series)
	2-422726	Stainless Steel (H400C & H400D Series)
	1-422727	Painted (H300C & H300D Series)
	2-422727	Stainless Steel (H300C & H300D Series)
6	<u>For parts call out of Trim Assembly see:</u>	
	72722	H300C & H300D Series
	72723	H400C & H400D Series

For complete Valance Assembly order:

321131-1	Painted (H400C & H400D Series)
321131-2	Stainless Steel (H400C & H400D Series)
321131-3	Painted (H300C & H300D Series)
321131-4	Stainless Steel (H300C & H300D Series)

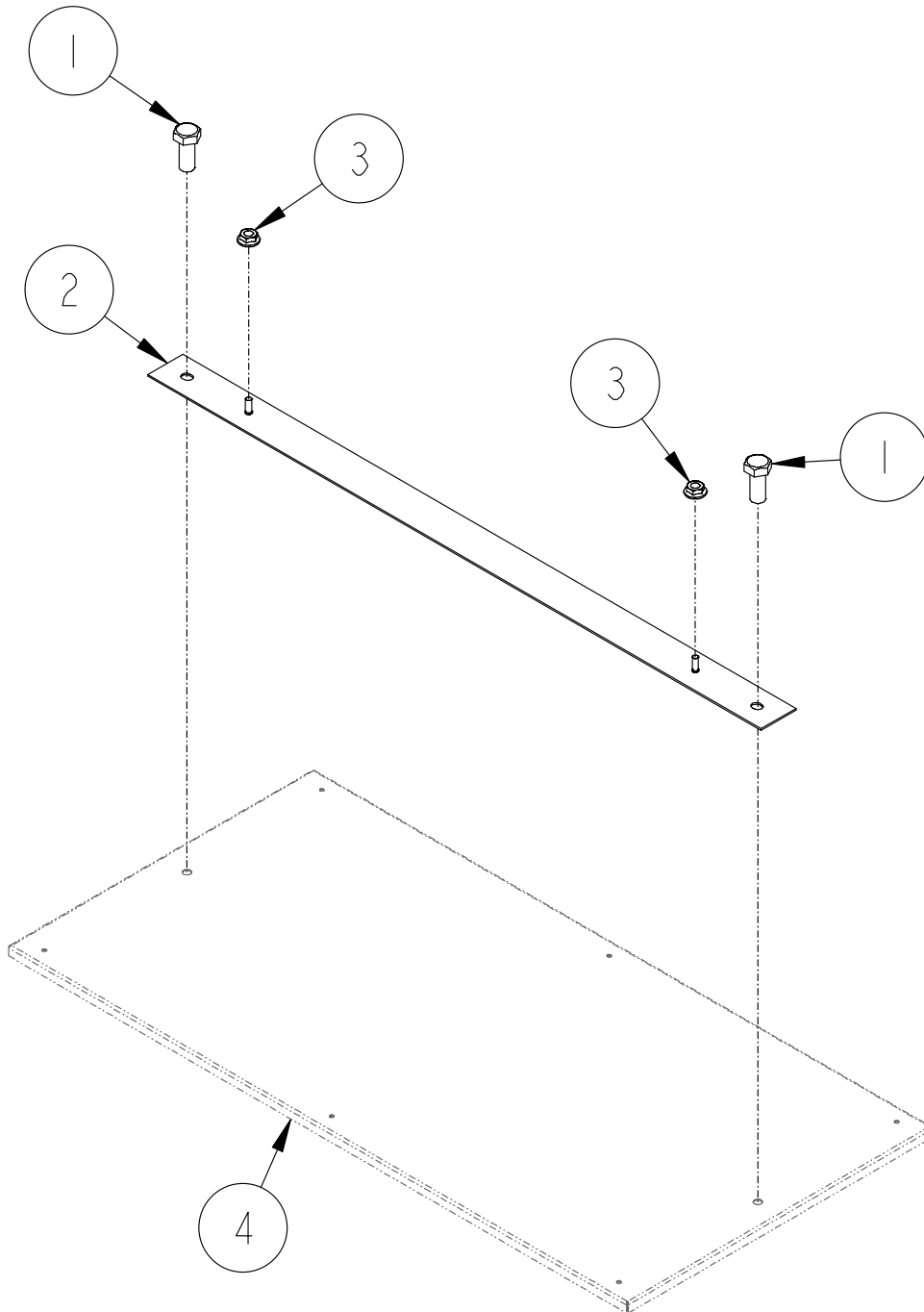
Reference for Tokheim internal use only:

321217	Final Assembly (H400C & H400D Series)
321218	Final Assembly (H300C & H300D Series)

1-72778

2

# VALANCE ASSEMBLY (SHELL/TEXACO) USED WITH SGI CANOPY



1-72952

---

**VALANCE ASSEMBLY**  
**(SHELL/TEXACO)**  
**USING SGI CANOPY**

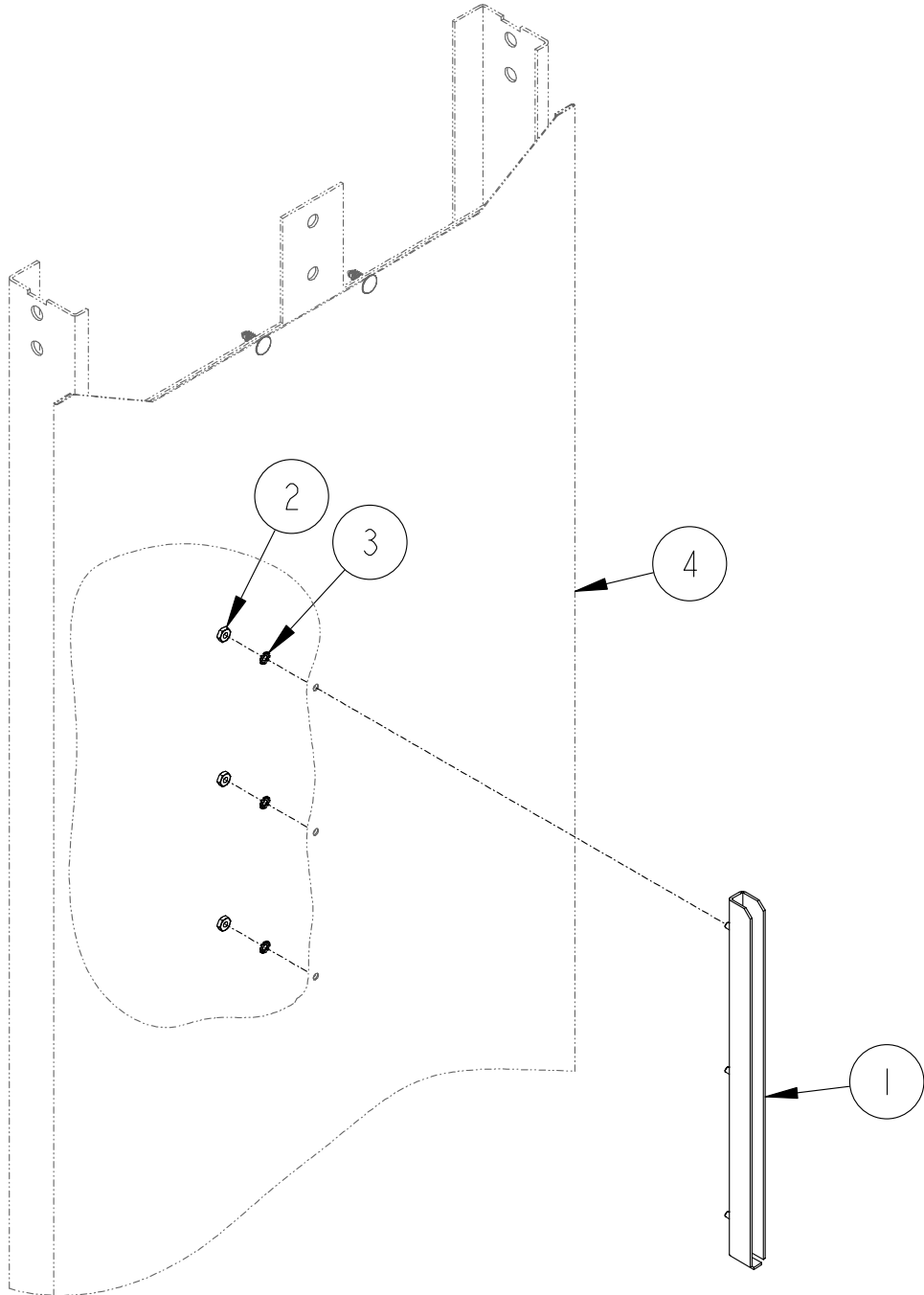
---

ITEM NO.	PART NO.	DESCRIPTION
1	1-131282	#8-32 x 1/2" Long Pan Head Threaded Cutting Screw
2	<u>Canopy Bracket Assembly</u>	
	321450-1	H400C Series & H400D Series
	321450-2	H300C Series & H300D Series
3	01-54752	1/4-20 M-F Flange Whiz Lock Nut
4	<u>For parts call out of Trim Assembly see:</u>	
	72722	H300C Series & H300D Series
	72723	H400C Series & H400D Series
	<u>For complete Valance Assembly order:</u>	
	321131-5	Painted (Shell/Texaco)
	321131-6	Painted (Shell/Texaco)

1-72952

2

# ADVERTISING MOUNTING ASSEMBLY



1-72919

---

**ADVERTISING MOUNTING ASSEMBLY**

---

ITEM NO.	PART NO.	DESCRIPTION
1	321029-1	Mounting Bracket Assembly
2	03-50211	#6-32 Hex Machine Nut
3		#6 Shakeproof Lockwasher
4		<u>For parts call out of Trim Assembly see:</u>
	72722	H300C & H300D Series
	72723	H400C & H400D Series

Reference for Tokheim internal use only:

321214	Trim Assembly (H400C & H400D Series)
321216	Trim Assembly (H300C & H400D Series)
321435	Chassis Assembly (H300C-RHV Series)

*1-72919***2**