

# SECTION

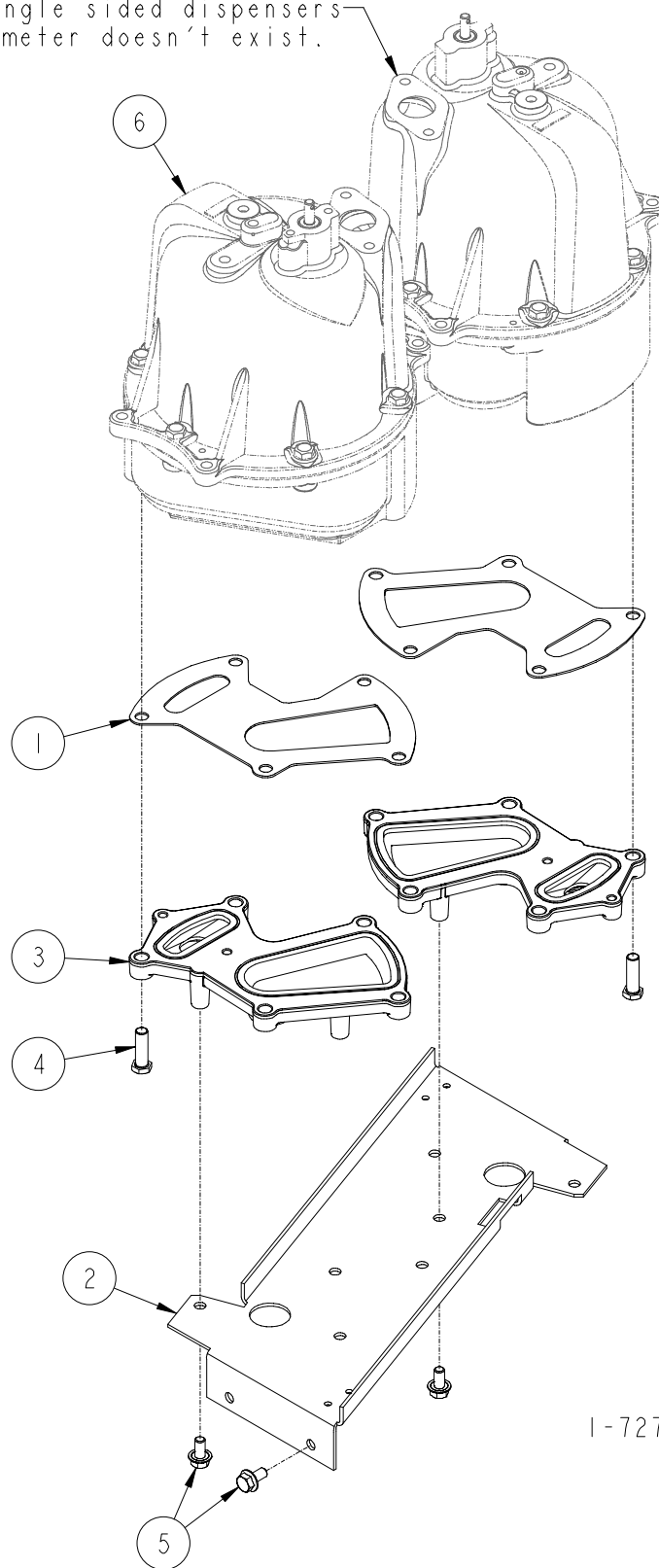
# 3A

## 898 Meter & Hydraulics

	Page Number
Meter & Transfer Body Assembly .....	3A-2, 3A-3
Gear Train & Totalizer Assembly .....	3A-4, 3A-5
<u>Meter &amp; Hydraulics Assembly</u>	
H311C, H312C, H322C, H324C, H411C, H412C, H413C, H414C, H422C, H424C, H426C, H428C H311D, H312D, H322D, H324D, H411D, H412D, H413D, H414D, H422D, H424D, H426D, H428D .....	3A-6, 3A-7
H311C-B3/5, H322C-B3/5, H411C-B3/4, H422C-B3/4, H424C-B3/4 .....	3A-8, 3A-9
H413C-EB, H426C-EB .....	3A-10, 3A-11
H414C-EB, H428C-EB .....	3A-12, 3A-13
898 Positive Displacement Type Meter .....	3A-14, 3A-15

## METER & TRANSFER BODY ASSEMBLY

On single sided dispensers  
this meter doesn't exist.



1-72727

---



---

## METER & TRANSFER BODY ASSEMBLY

---

ITEM NO.	PART NO.	DESCRIPTION
1	1-38082	Meter Transfer Body Gasket
2	<u>Meter Support</u>	
	1-422636	Totalizer Bracket bolts on (Old Design)
	1-423014	Totalizer Bracket part of meter support (New Design)
3	<u>Meter Transfer Body</u>	
	1-421978	All models except listed below
	2-421978	H413C-EB, H414C-EB, H426C-EB, H428C-EB
4	66-50361	3/8-16 x 1-1/4" Long Hex Head Cap Screw
5	35-55132	5/16-18 x 5/8" Long M-F Flange Whiz Lock Screw
6	<u>For parts call out of 898 Positive Displacement Type Meter see 74372.</u>	

Reference for Tokheim internal use only:

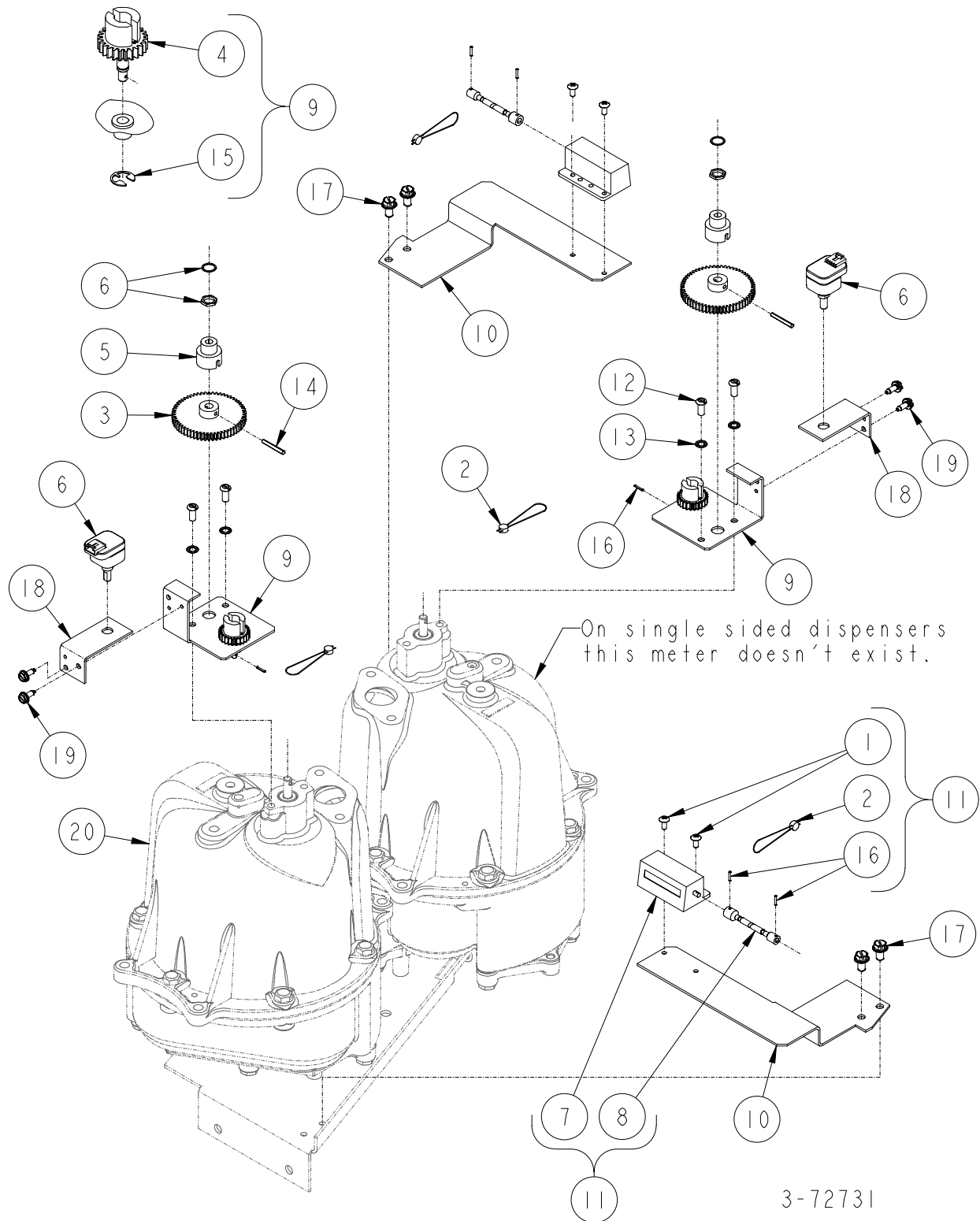
233711	Meter Module
320231	Meter Assembly

1-72727



3  
A

# GEAR TRAIN & TOTALIZER ASSEMBLY



---

## GEAR TRAIN & TOTALIZER ASSEMBLY

---

ITEM NO.	PART NO.	DESCRIPTION
1	09-55712	#8-32 x 3/8" Long Hex Washer Head Thread Cutting Screw
2	1-131438	Seal Wire & Seal
3	2-231801	60 Tooth Spur Gear
4	231823-2	Pulser Drive Assembly
5	1-233649	Pulser Coupling
6	2-233654	Optical Encoder (Pulser)
7	<u>Totalizer</u>	
	1-319419	Gallon
	2-319419	Liter
8	3-319468	Drive Cable
9	321090-1	Gear Train Assembly (Includes items 4 & 15)
10	1-321100	Totalizer Bracket
11	<u>Totalizer Assembly (Includes items 1, 2, 7, 8 &amp; 16)</u>	
	321128-1	Gallon
	321128-2	Liter
12	326-50001	#12-24 x 1/2" Long Round Head Machine Screw
13	24-50761	#12 Shakeproof Lockwasher
14	44-51221	Groov-Pin
15	06-52482	Truarc Retaining Ring
16	4-52901	Roll Pin
17	69-55392	1/4 x 1/2" long Hex Head Washer Head Tapping Screw
18	1-233734	Encoder Mounting Plate
19	21-55392	#6 x 3/8" Long Hex Washer Head Self Tapping Screw
20	<u>For parts call out of Meter &amp; Transfer Body Assembly see 72727.</u>	

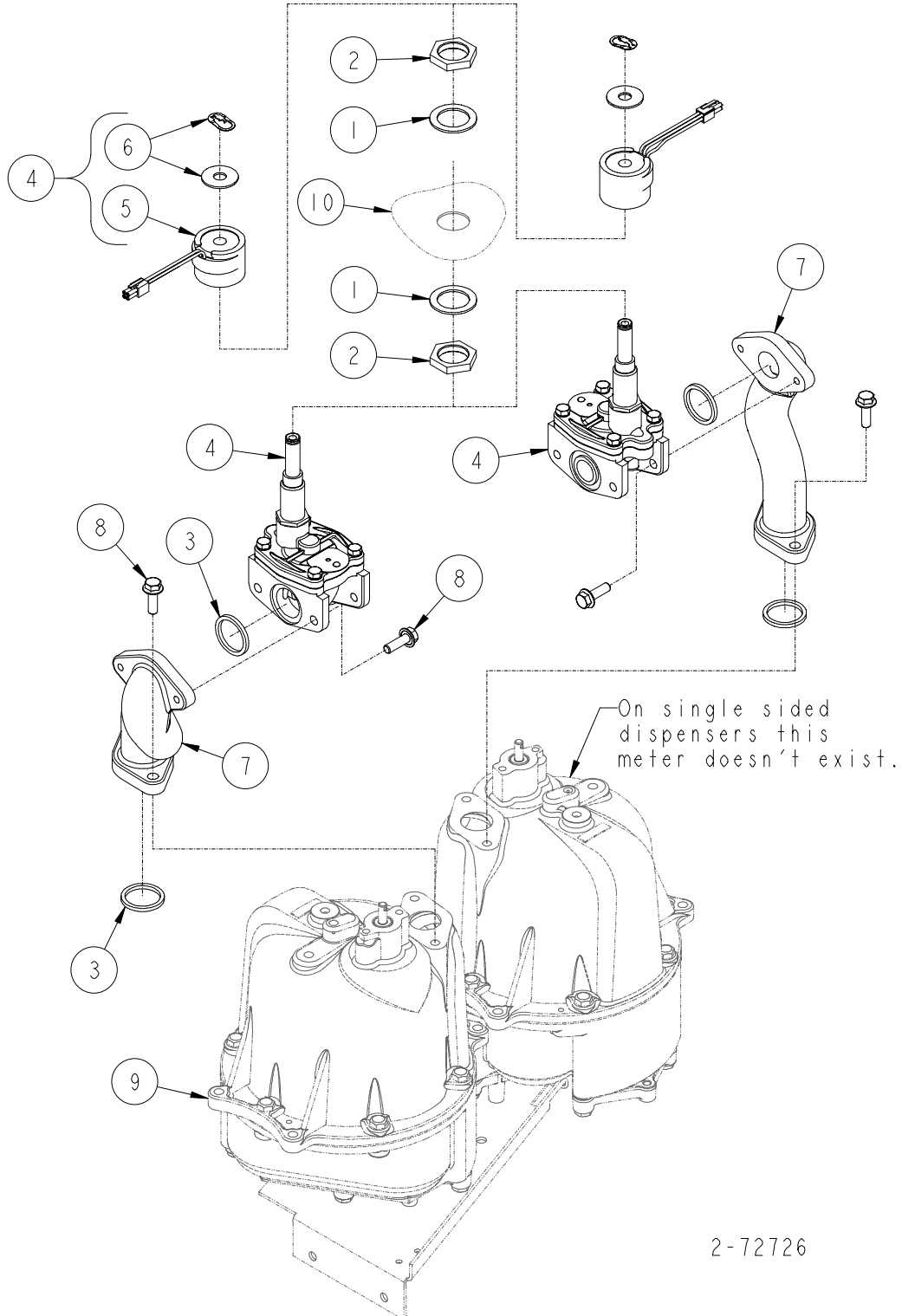
Reference for Tokheim internal use only:

233711	Measure Module
321089	Meter & Hydraulic Assembly

3-72731

## METER & HYDRAULICS ASSEMBLY

(H311C, H312C, H322C, H324C, H311D, H312D, H322D & H324D)  
(H411C, H412C, H413C, H422C, H424C, H426C, H428C)  
(H411D, H412D, H413D, H422D, H424D, H426D, H428D)



2-72726

**METER & HYDRAULICS ASSEMBLY**  
**(H311C, H312C, H322C, H324C)**  
**(H411C, H412C, H413C, H422C, H424C, H426C, H428C)**  
**(H311D, H312D, H322D, H324D)**  
**(H411D, H412D, H413D, H422D, H424D, H426D, H428D)**

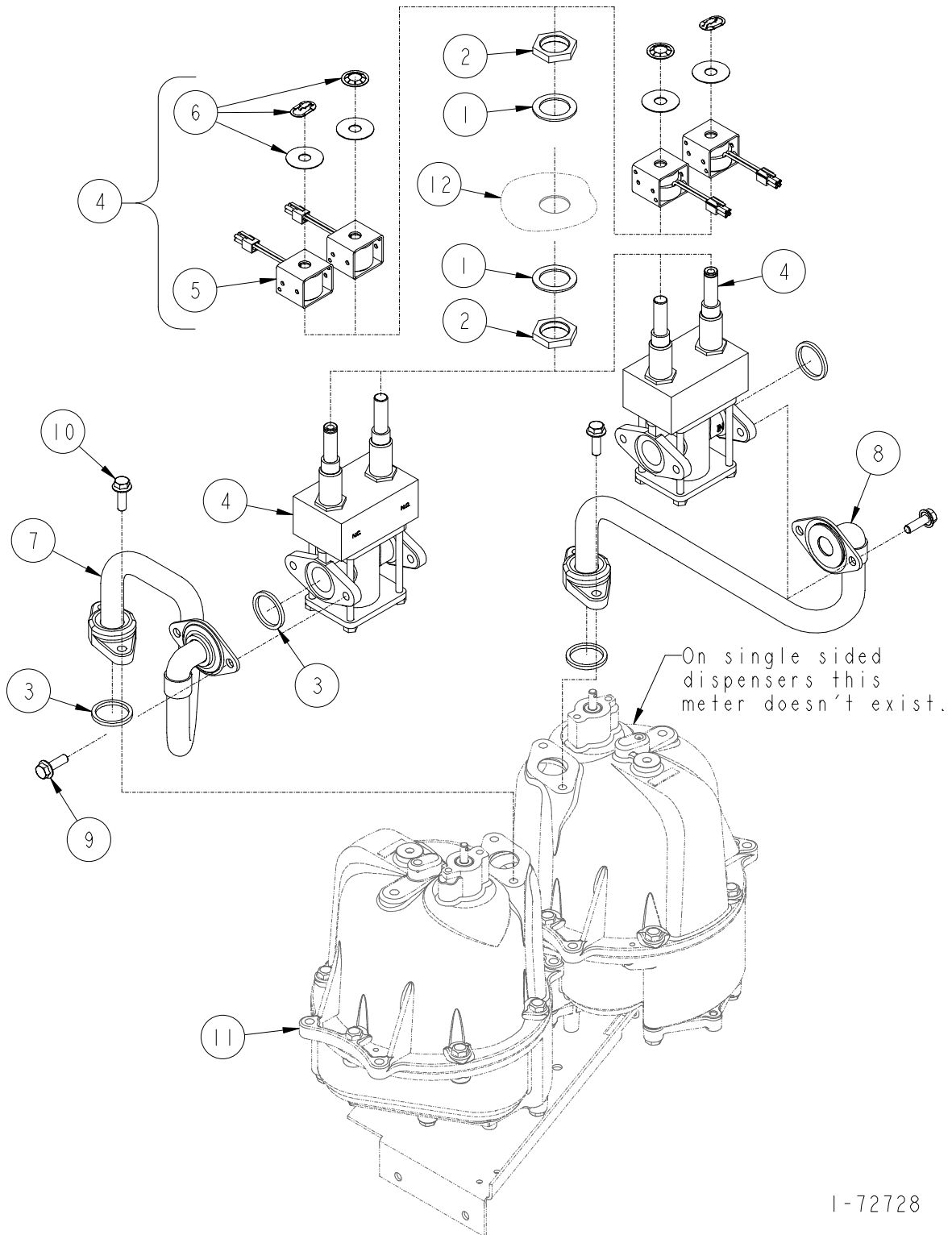
ITEM NO.	PART NO.	DESCRIPTION
1	1-132715	Conduit Washer
2	1-130590	1/2" Conduit Nut
3	13-313235	Gasket
4	<u>Control Valve (Solenoid)</u>	
	1-321094	120V (Tapped one flange side & thru on other side)
	2-321094	240V (Tapped one flange side & thru on other side)
	3-321094	240V (Brazil) (Tapped one flange side & thru on other side)
	9-321094	120V (Tapped on both flange sides)
	10-321094	240V (Tapped on both flange sides)
	11-321094	240V (Brazil) (Tapped on both flange sides)
5	<u>Control Valve Coil (Solenoid)</u>	
	6-321094	120V/60mhz
	7-321094	240V/60mhz
	14-321094	230V/50mhz
6	8-321094	Solenoid Assembly Hardware Kit
7	<u>Meter Outlet</u>	
	1-422604	Tapped both flange sides
	2-422604	Tapped one flange side & thru on the other flange
8	38-55132	5/16-18 x 1" Long M-F Flange Whiz Lock Screw
9	<u>For parts call out of Meter &amp; Transfer Body Assembly see 72727.</u>	
10	<u>For parts call out of Chassis Assembly see:</u>	
	72779	H300C & H300D Series
	72724	H400C & H400D Series
	<u>Reference for Tokheim internal use only:</u>	
	321089 Meter & Hydraulic Assembly	

3  
A

2-72726

METER & HYDRAULICS ASSEMBLY

(H311C-B3/5, H322C-B3/5, H411C-B3/4, H422C-B3/4, H424C-B3/4)



---

**METER & HYDRAULICS ASSEMBLY**  
**(H311C-B3/5, H322C-B3/5)**  
**(H411C-B3/4, H422C-B3/4, H424C-B3/4)**

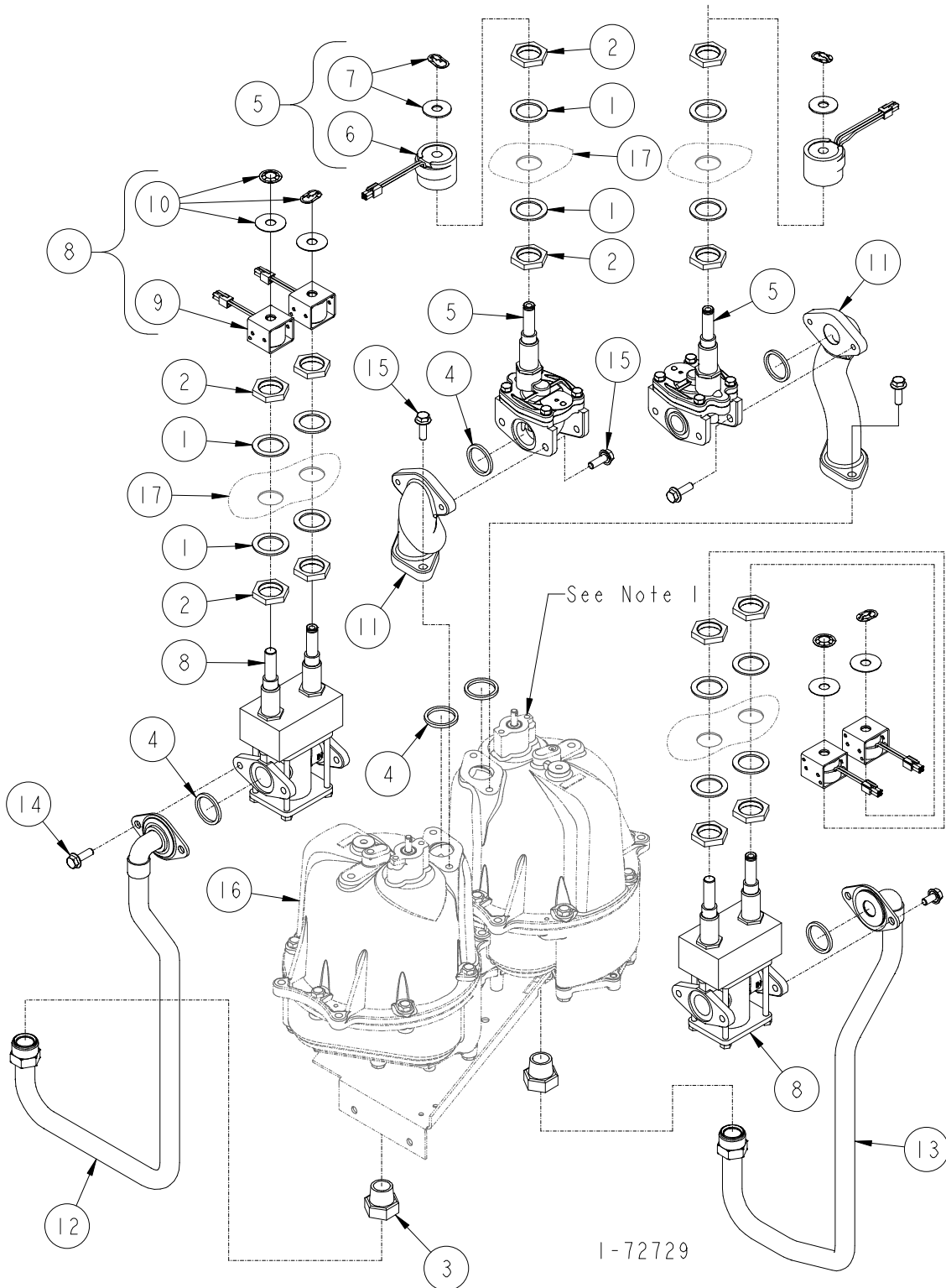
---

ITEM NO.	PART NO.	DESCRIPTION
1	1-132715	Conduit Washer
2	1-130590	1/2" Conduit Nut
3	13-313235	Gasket
4	1-321103	Blend Valve
5	3-321103	Blend Valve Coil
6	4-321103	Blend Valve Assembly Hardware Kit
7	<u>Fuel Discharge Tube</u>	
	1-321137	H411C-B3/4, H422C-B3/4, H424C-B3/4
	1-321151	H311C-B3/5 , H322C-B3/5
8	<u>Fuel Discharge Tube</u>	
	1-321138	H422C-B3/4, H424C-B3/4
	1-321152	H322C-B3/5
9	35-55132	5/16-18 x 5/8" Long M-F Flange Whiz Lock Screw
10	38-55132	5/16-18 x 1" Long M-F Flange Whiz Lock Screw
11	<u>For parts call out of Meter &amp; Transfer Body Assembly see 72727.</u>	
12	<u>For parts call out of Chassis Assembly see:</u>	
	72779	H300C Series
	72724	H400C Series
	<u>Reference for Tokheim internal use only:</u>	
	321089	Meter & Hydraulic Assembly

3  
A

1-72728

METER & HYDRAULICS ASSEMBLY  
(H413C-EB & H426C-EB)



1-72729

Note:

1. On single sided dispensers  
this meter doesn't exist.

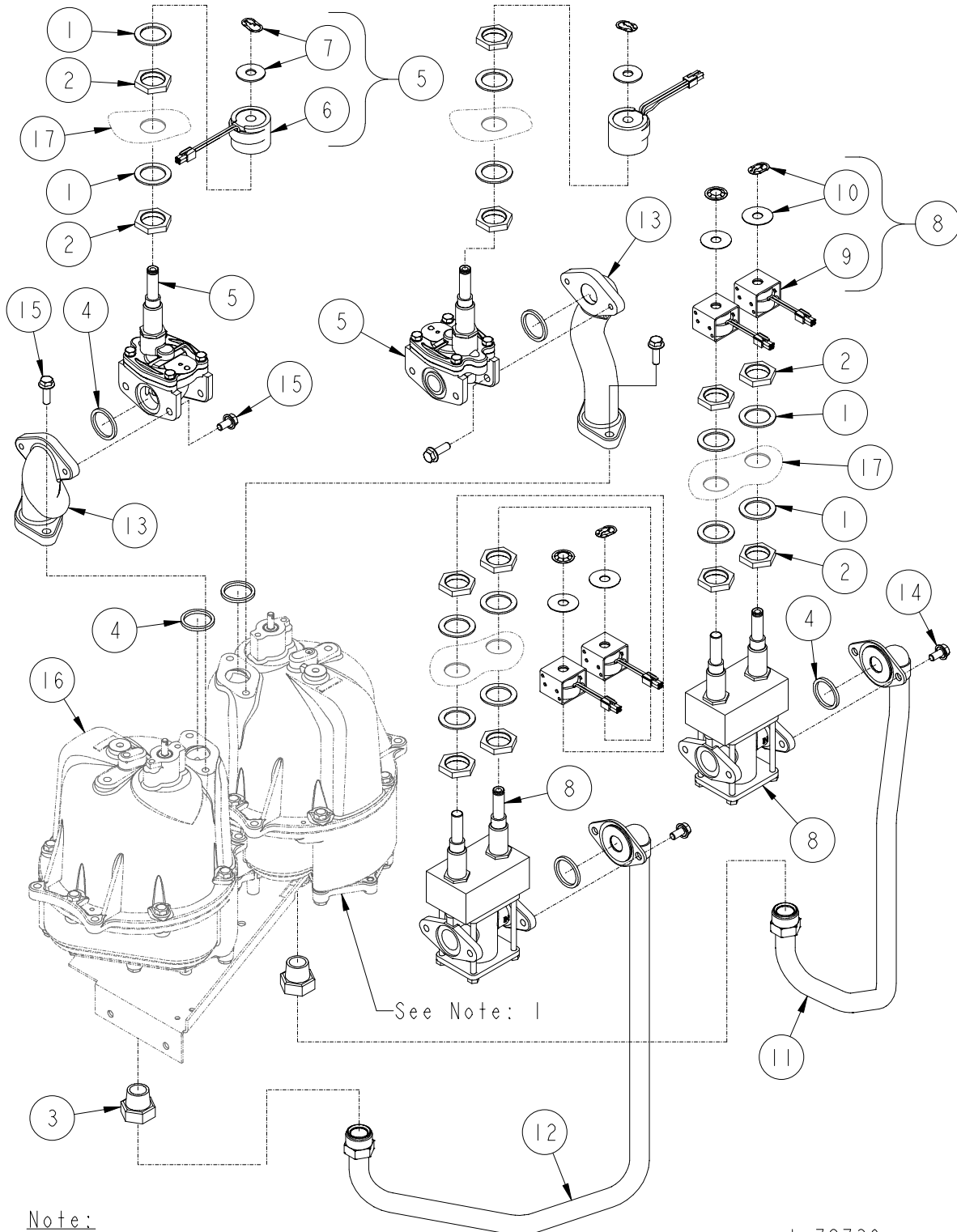
## METER & HYDRAULICS ASSEMBLY (H413C-EB & H426C-EB)

ITEM NO.	PART NO.	DESCRIPTION
1	1-132715	Conduit Washer
2	1-130590	1/2" Conduit Nut
3	1-230994	Connector - Inverted Flare
4	13-313235	Gasket
5	<u>Control Valve (Control)</u>	
	1-321094	120V (Tapped one flange side & thru on other side)
	2-321094	240V (Tapped one flange side & thru on other side)
	3-321094	240V (Brazil) (Tapped one flange side & thru on other side)
	9-321094	120V (Tapped on both flange sides)
	10-321094	240V (Tapped on both flange sides)
	11-321094	240V (Brazil) (Tapped on both flange sides)
6	<u>Control Valve Coil (Control)</u>	
	6-321094	120V/60mhz
	7-321094	240V/60mhz
	14-321094	230V/50mhz
7	8-321094	Solenoid Assembly Hardware Kit
8	1-321103	Blend Valve
9	3-321103	Blend Valve Coil
10	4-321103	Blend Valve Assembly Hardware Kit
11	<u>Meter Outlet</u>	
	1-422604	Tapped both flange sides
	2-422604	Tapped one flange side & thru on the other flange
12	1-422708	Fuel Discharge Tube
13	1-422709	Fuel Discharge Tube
14	35-55132	5/16-18 x 5/8" Long M-F Flange Whiz Lock Screw
15	38-55132	5/16-18 x 1" Long M-F Flange Whiz Lock Screw
16	<u>For parts call out of Meter &amp; Transfer Body Assembly see 72727.</u>	
17	<u>For parts call out of Chassis Assembly see 72724.</u>	

Reference for Tokheim internal use only:  
321089 Meter & Hydraulic Assembly

3  
A

METER & HYDRAULICS ASSEMBLY  
(H414C-EB & H428C-EB)



Note:  
1. On single sided dispensers  
this meter doesn't exist.

1-72730

## METER & HYDRAULICS ASSEMBLY

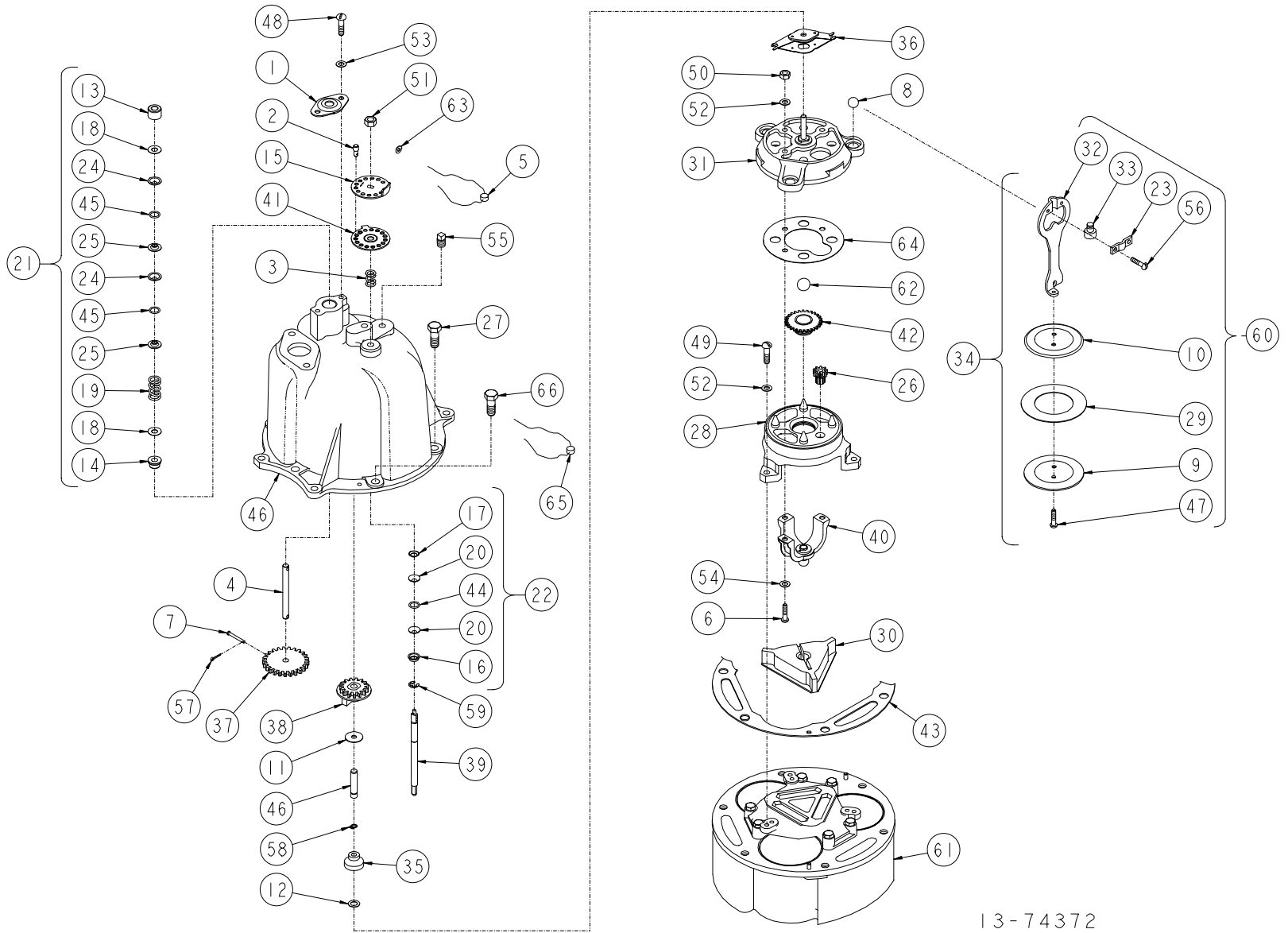
### (H414C-EB & H428C-EB)

ITEM NO.	PART NO.	DESCRIPTION
1	1-132715	Conduit Washer
2	1-130590	1/2" Conduit Nut
3	1-230994	Connector - Inverted Flare
4	13-313235	Gasket
5	<u>Control Valve (Solenoid)</u>	
	1-321094	120V (Tapped one flange side & thru on other side)
	2-321094	240V (Tapped one flange side & thru on other side)
	3-321094	240V (Brazil) (Tapped one flange side & thru on other side)
	9-321094	120V (Tapped on both flange sides)
	10-321094	240V (Tapped on both flange sides)
	11-321094	240V (Brazil) (Tapped on both flange sides)
6	<u>Control Valve Coil (Solenoid)</u>	
	6-321094	120V/60mhz
	7-321094	240V/60mhz
	14-321094	230V50mhz
7	8-321094	Solenoid Assembly Hardware Kit
8	1-321103	Blend Valve
9	3-321103	Blend Valve Coil
10	4-321103	Blend Valve Assembly Hardware Kit
11	1-321176	Fuel Discharge Tube
12	1-321177	Fuel Discharge Tube
13	<u>Meter Outlet</u>	
	1-422604	Tapped both flange sides
	2-422604	Tapped one flange side & thru on the other flange
14	35-55132	5/16-18 x 5/8" Long M-F Flange Whiz Lock Screw
15	38-55132	5/16-18 x 1" Long M-F Flange Whiz Lock Screw
16	<u>For parts call out of Meter &amp; Transfer Body Assembly see 72727.</u>	
17	<u>For parts call out of Chassis Assembly see 72724.</u>	

Reference for Tokheim internal use only:  
321089 Meter & Hydraulic Assembly

3  
A

# 898 POSITIVE DISPLACEMENT TYPE METER



13-74372

# 898 POSITIVE DISPLACEMENT TYPE METER

Form 5866A Version 1.0

3A-15

ITEM NO.	PART NO.	DESCRIPTION	ITEM NO.	PART NO.	DESCRIPTION	ITEM NO.	PART NO.	DESCRIPTION
1	1-19592	Packing Gland Plate	29	218769-1	Plunger Cup Kit (Set Of 3 Cups)	51	02-50301	5/16-18 Hex Nut
2	1-19602	Seal Pin				52	13-50641	1/4" Lockwasher
3	1-19743	Compensator Screw Spring	30	1-219330	Valve	53	24-50761	#12 Lockwasher
4	1-114815	Drive Shaft	31	219331-1	Wobble Plate With Slack Roller Post	54	42-50761	#14 Lockwasher
5	1-118849	Seal & Seal Wire (6" Long)	32	1-219377	Connector	55	01-51911	1/8" Square Head Pipe Plug
6	1-119064	Special Screw	33	1-219378	Bearing Seat	56	28-55431	#10-32 x 3/8" Long Phillips Pan Head Sems Fastener
7	1-124144	Drive Shaft Pin	34	219407-2	Plunger Assembly	57	13-52870	1/16" Dia x 1/4" Lg. Cotter Pin
8	1-124588	1/2" Ball	35	219800-1	Slack Roller Assembly	58	10-52922	Truarc Retaining Ring
9	1-125069	Plunger Cup Support	36	221403-1	Slack Spring Assembly	59	12-53420	Truarc "E" Retaining Ring
10	1-125071	Plunger Disc	37	<u>Drive Shaft Gear</u>		60	232332-1	Plunger Kit (Contains Plunger Assembly, Bearing Retainer, Bearing Seat & Sems Fastener)
11	1-125095	Washer		1-222081	Gallons & Liters			
12	1-125103	Washer		217195-2	Assembly (Imperial Gallons)			
13	125118-1	Upper Bearing Assembly	38	<u>Counter Drive Gear Complete</u>		61	407488-11	Body & Seat Assy. With Pins
14	125154-1	Bearing Assembly		218556-2	Imperial Gallons	62	1-131327	5/8" Carbon Ball
15	1-125243	Compensator Index Disc		1-232282	Gallons	63	04-50600	Washer
16	1-125308	Seal Half		1-232282	Liter	64	1-217934	Wobble Bearing Plate
17	1-125309	Seal Wedge	39	1-224081	Compensator Shaft	65	1-124799	Seal Wire & Seal (18" Lg) (Brazil)
18	1-125315	Washer	40	224709-5	Bracket & Pin Assembly	66	2-129513	3/8-16 x 1" Long Hex Head Seal Screw (Brazil)
19	1-125357	Packing Spring	41	1-226085	Index Plate			
20	1-125360	Seal	42	125079-1	Main Pivot Assembly			
21	125420-1	Meter Drive Shaft Packing Kit	43	1-38083	Meter Body Gasket			
22	125478-1	Compensator Shaft Seal Kit	44	5-318940	"O" Ring (.362 Dia.)			
23	1-125966	Bearing Retainer	45	6-318940	"O" Ring (.487 Dia.)			
24	1-126898	Seal (Black)	46	420557-1	Meter Cover And Gear Post Assembly			
25	1-126902	Seal Retaining Ring	47	287-50001	#10-32 x 3/8" Long Round Head Machine Screw			
26	1-129607	Compensator Pinion	48	326-50001	#12-24 x 1/2" Long Round Head Machine Screw			
27	<u>3/8-16 x 1" Long</u>		49	399-50001	1/4-20 x 3/4" Long Round Head Machine Screw			
	1-320407	Torx Drive Screw	50	01-50301	1/4-20 Hex Nut			
	2-320407	Torx Drive Screw (For Seal Wire)						
	65-50361	Hex Head Cap Screw						
28	218236-2	Main Pivot Bracket Assy. With Pins						

For complete Meter Maintenance & Repair Kit order 225184-1

For complete Meter Cover Assembly order: (Item no. 5 & 46 not included)

407494-1 Gallons  
407494-5 Imperial Gallons  
415282-30 Liters

For complete Final Assy (898-K Meter) order:

416873-25 Imperial Gallons  
416873-32 Liters  
416873-37 Gallons

898 Meter & Hydraulics

13-74372





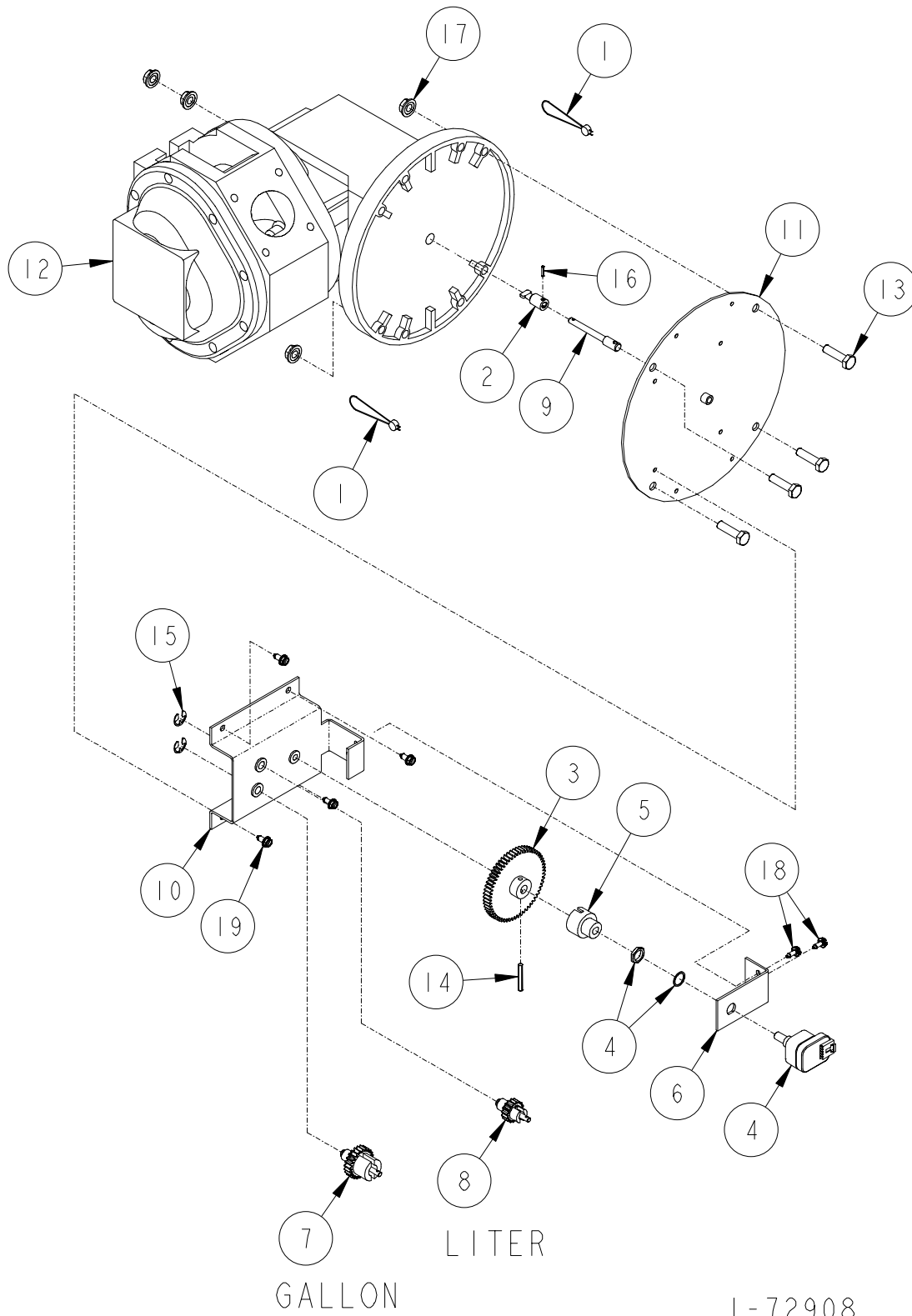
# SECTION

# 3B

## LC Meter & Hydraulics

	Page Number
LC Meter & Gear Train Assembly .....	3B-2, 3B-3
LC Meter Inlet Hydraulics .....	3B-4, 3B-5
LC Meter Outlet Hydraulics .....	3B-6, 3B-7
Master Systems .....	3B-8, 3B-9
Master/Satellite Systems .....	3B-10, 3B-11
Satellite Systems .....	3B-12, 3B-13
Satellite Hydraulics .....	3B-14, 3B-15
Totalizer Assembly .....	3B-16, 3B-17

# LC METER & GEAR TRAIN ASSEMBLY



---

## LC METER & GEAR TRAIN ASSEMBLY

---

ITEM NO.	PART NO.	DESCRIPTION
1	1-131438	Seal Wire & Seal
2	1-230309	Coupling
3	2-231801	60 Tooth Spur Gear
4	2-233654	Optical Encoder
5	1-233649	Pulser Coupling
6	1-233734	Encoder Mounting Plate
7	233790-1	Pulser Drive Assembly (Gallon)
8	233790-2	Pulser Drive Assembly (Liter)
9	1-233793	Drive Shaft
10	321423-3	Gear Train & Bushing Assembly
11	321427-1	Cover Plate Assembly
12	3-419902	LC Meter
13	05-50361	1/4-20 x 1" Long Hex Head Cap Screw
14	44-51221	Groov-Pin
15	06-52482	Truarc Retaining Ring
16	4-52901	Roll Pin
17	01-54752	1/4-20 M-F Flange Whiz Lock Nut
18	21-55392	#6 x 3/8" long Hex Head Washer Head Tapping Screw
19	23-55392	#8 x 3/8" long Hex Head Washer Head Tapping Screw

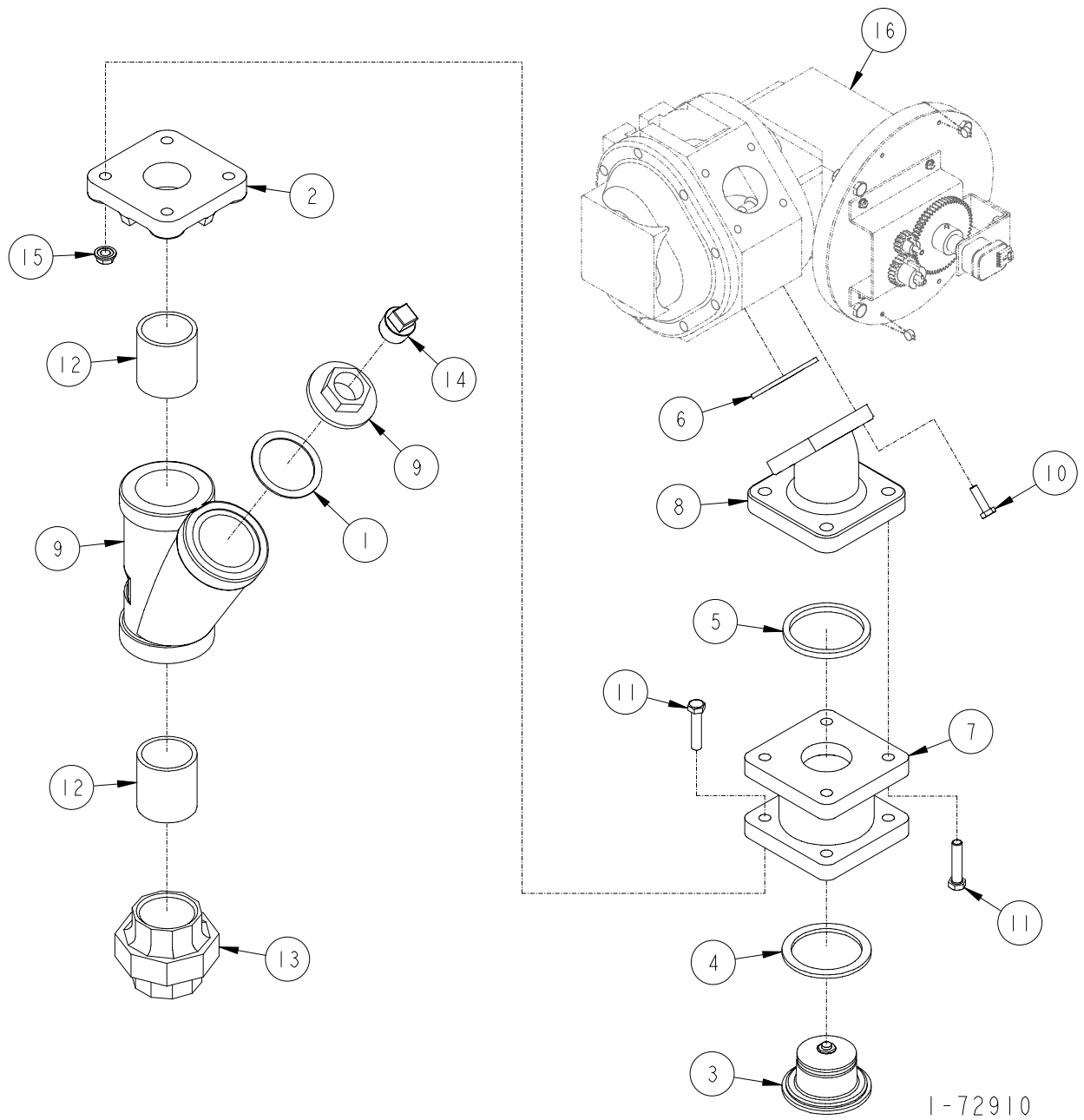
Reference for Tokheim internal use only:

321423	Gear Train Assembly
321425	Meter & Hydraulic Assembly

*1-72908*

3  
B

# LC METER INLET HYDRAULICS



1-72910

---

## LC METER INLET HYDRAULICS

---

ITEM NO.	PART NO.	DESCRIPTION
1	1-132471	"Y" Strainer Gasket
2	5-221447	Companion Flange
3	225981-1	Check Valve Assembly
4	15-313235	Gasket
5	18-313235	Gasket
6	19-313235	Gasket
7	1-319057	Check Valve Housing
8	2-420233	Meter Elbow
9	1-420697	"Y" Strainer (With 40 Mesh Stainless Steel Screen)
	2-420697	40 Mesh Stainless Steel Screen "Only"
10	04-50361	1/4-20 x 7/8" Long Hex Head Cap Screw
11	37-50361	5/16-18 x 1-1/2" Long Hex Head Cap Screw
12	118-50560	1-1/2" x 2" Long Pipe Nipple
13	07-51780	1-1/2" Union Female
14	05-51901	Pipe Plug
15	02-54752	5/16-18 M-F Flange Whiz Lock Nut
16	<u>For parts call out of Chassis Assembly see 72779.</u>	

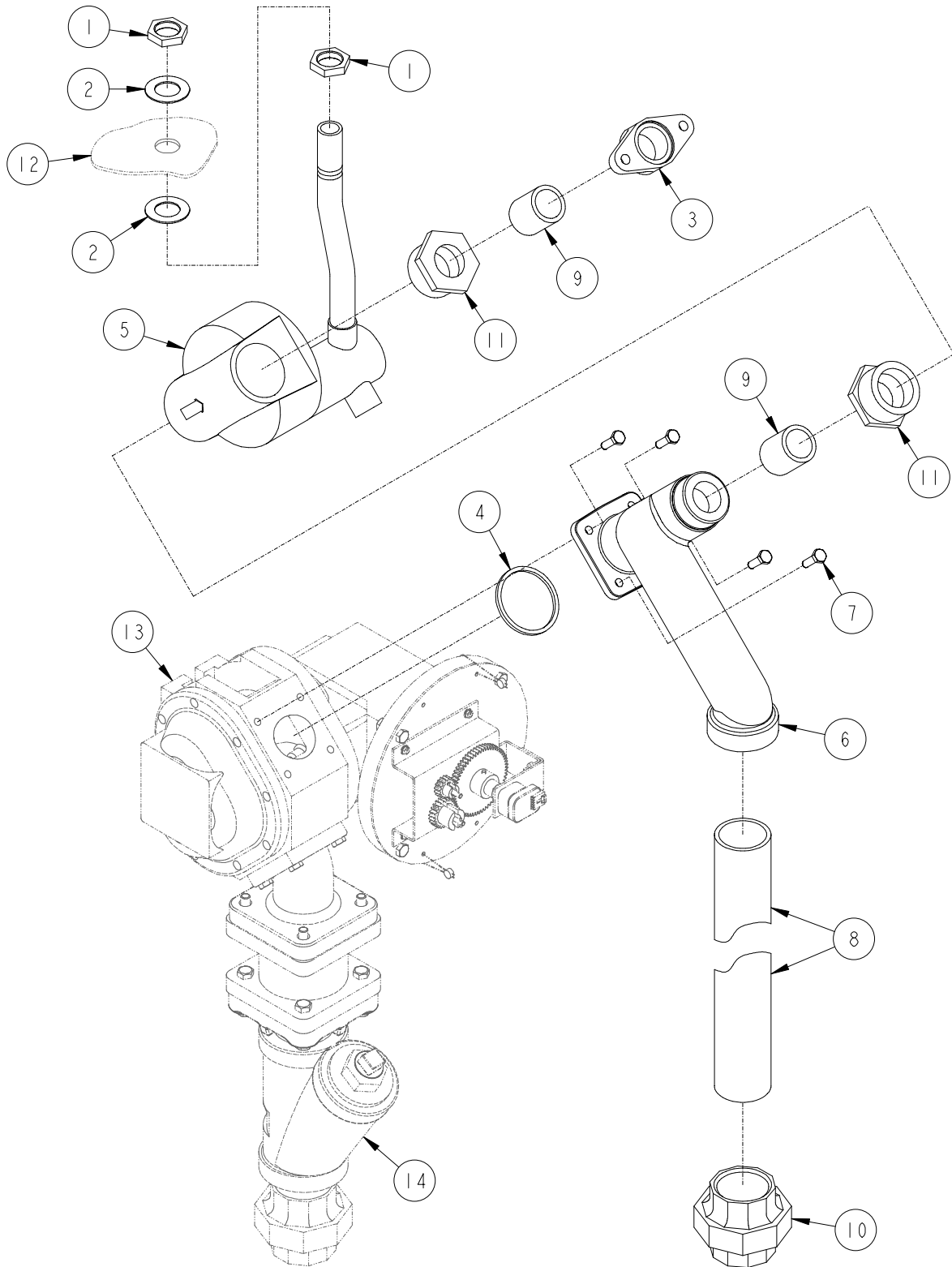
Reference for Tokheim internal use only:

321425	Meter & Hydraulic Assembly
321435	Chassis Assembly

1-72910

3  
B

LC METER OUTLET HYDRAULICS



1-72911

---

## LC METER OUTLET HYDRAULICS

---

ITEM NO.	PART NO.	DESCRIPTION
1	1-130590	Hex Lock Nut
2	1-132715	Conduit Washer
3	5-220923	Meter Flange
4	8100047	Gasket
5	<u>Control Valve Assembly (Includes Items 3, 9 &amp; 11)</u>	
	422989-1	220 Volt
	422989-2	120 Volt
6	8100322	Manifold LC Meter Outlet Side
7	04-50361	1/4-20 x 7/8" Long Hex Head Cap Screw
8	337-50510	1-1/2 x 15.781 Long Pipe
9	85-50660	1" x 1-1/2" Long Pipe Nipple
10	07-51780	1-1/2" Union Female
11	22-51850	1-1/2" x 1" Hex Bushing
12	<u>For parts call out of Chassis Assembly see 72779.</u>	
13	<u>For parts call out of LC Meter &amp; Gear Train Assembly see 72908.</u>	
14	<u>For parts call out of LC Meter Inlet Hydraulics see 72909.</u>	

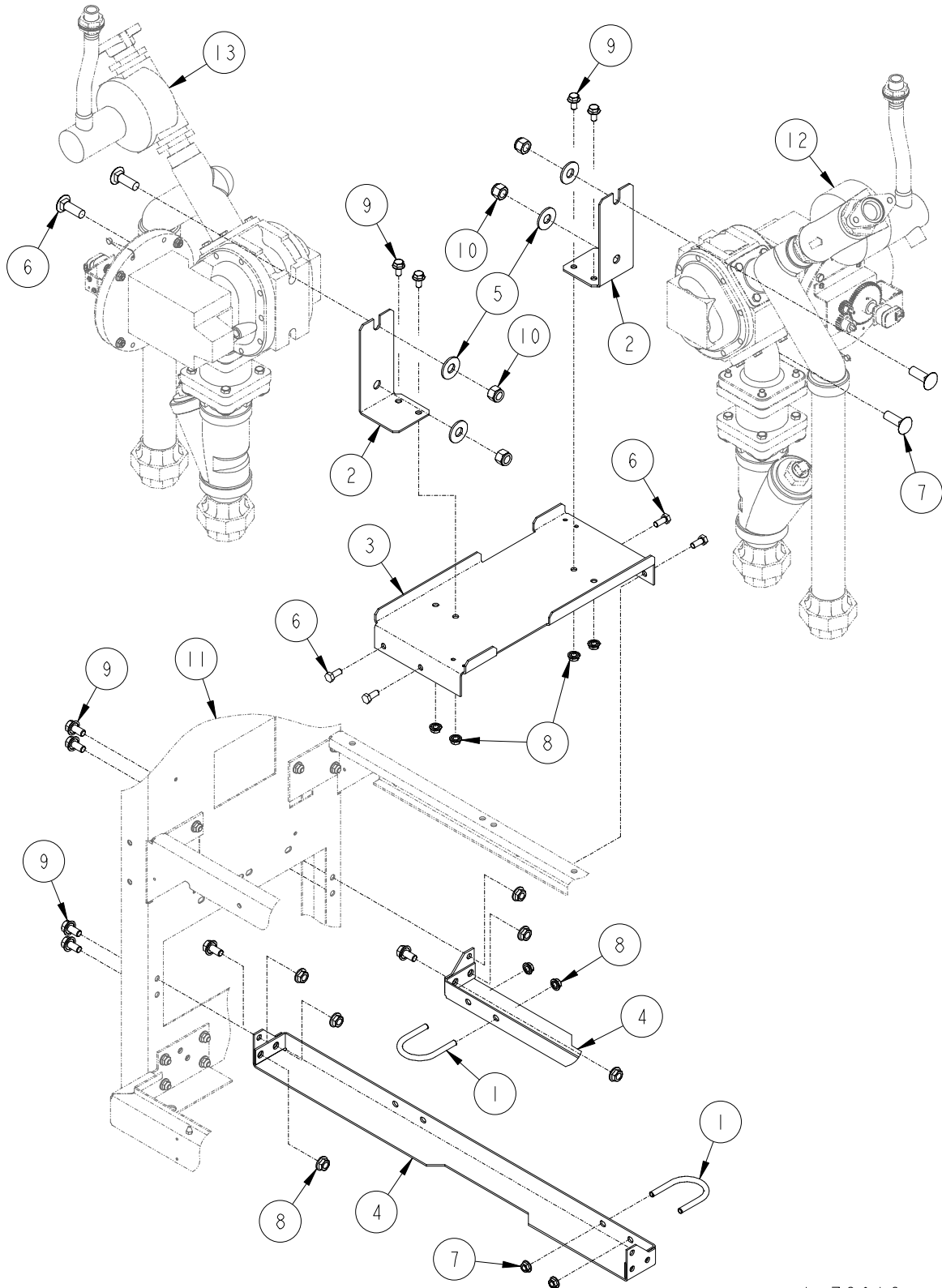
Reference for Tokheim internal use only:

321425	Meter & Hydraulic Assembly
321435	Chassis Assembly

*1-72911*

3  
B

MASTER/MASTER SYSTEM  
H311C-RHVM, H312C-RHVMM, H322C-RHVMM



1-72913

---

**MASTER/MASTER SYSTEM**  
**H311C-RHVM, H312C-RHVMM, H322C-RHVMM**

---

ITEM NO.	PART NO.	DESCRIPTION
1	1-131336	"U" Bolt
2	1-321401	Meter Support Bracket
3	1-422884	Meter Support Plate
4	1-422962	Inlet Support Bracket
5	06-50612	1" Plate Washer
6	20-51491	5/16 x 5/8" Long Self Tapping Screw
7	115-52192	1/2-13 x 1-1/2" Long Carriage Bolt
8	02-54752	5/16-18 M-F Flange Whiz Lock Nut
9	35-55132	5/16-18 x 5/8" Long M-F Flange Whiz Lock Screw
10	11-55531	1/2-13 Nylon Insert Lock Nut
11	<u>For parts call out of Chassis Assembly see 72779.</u>	
12	<u>For parts call out of LC Meter Outlet Hydraulics see 72911.</u> (H311C-RHVM side "A", H312C-RHVMM side "A", H322C-RHVMM)	
13	<u>For parts call out of LC Meter Outlet Hydraulics see 72911.</u> (H312C-RHVMM side "B", H322C-RHVMM side "B")	

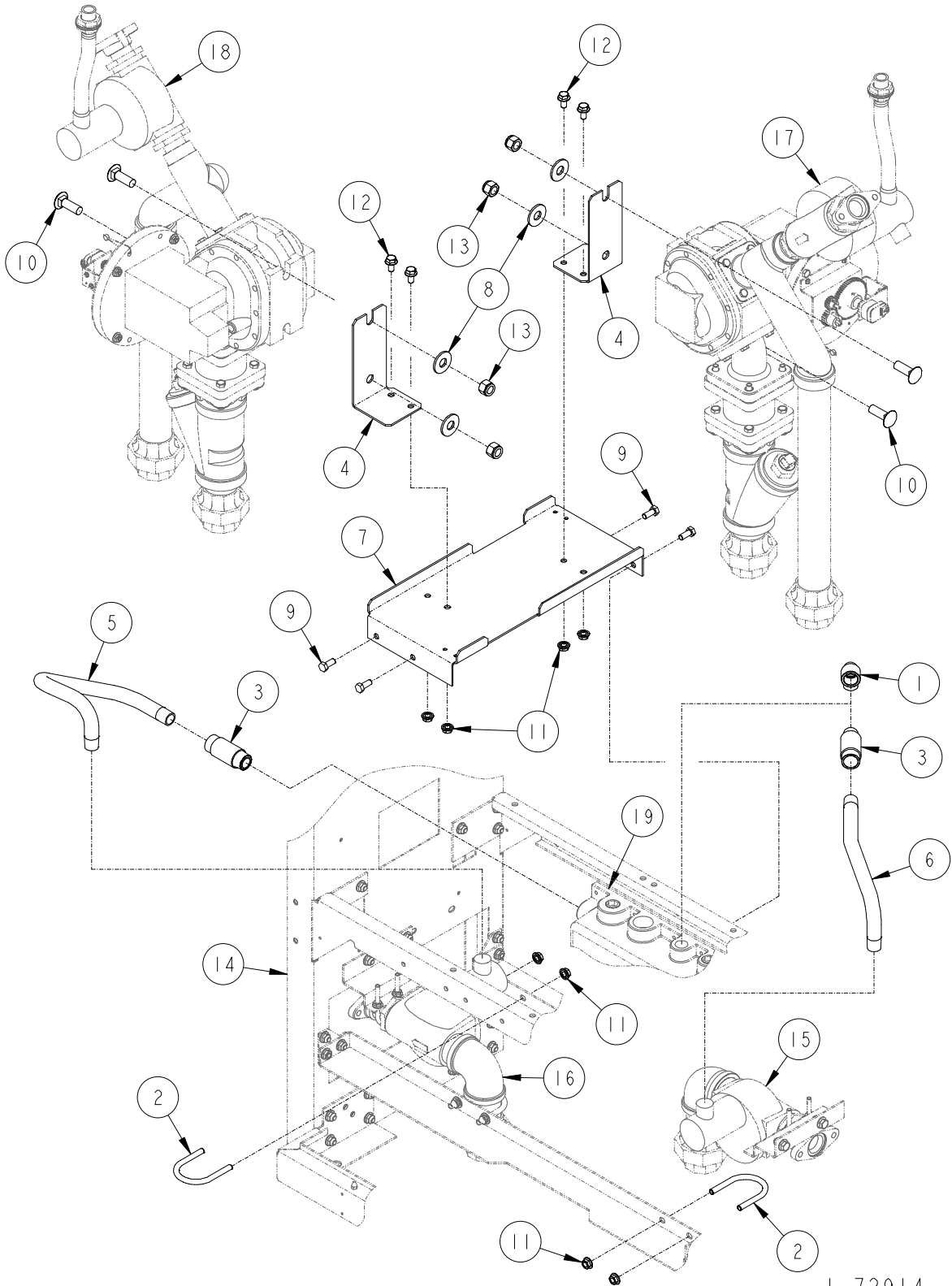
Reference for Tokheim internal use only:

321435      Chassis Assembly

1-72913

**3**  
**B**

MASTER/SATELLITE SYSTEM  
H322C-RHVMS, H324C-RHVMS



1-72914

## MASTER/SATELLITE SYSTEM

### H322C-RHVMS, H324C-RHVMS

ITEM NO.	PART NO.	DESCRIPTION
1	1-128035	1/2" x 90° Conduit Street Elbow
2	1-131336	"U" Bolt
3	1-218941	1/2" Expansion Union (Male/Female)
4	1-321401	Meter Support Bracket
5	1-321428	Conduit
6	1-321430	Conduit
7	1-422884	Meter Support Plate
8	06-50612	1" Plate Washer
9	20-51491	5/16 x 5/8" Long Self Tapping Screw
10	115-52192	1/2-13 x 1-1/2" Long Carriage Bolt
11	02-54752	5/16-18 M-F Flange Whiz Lock Nut
12	35-55132	5/16-18 x 5/8" Long M-F Flange Whiz Lock Screw
13	11-55531	1/2-13 Nylon Insert Lock Nut
14		<u>For parts call out of Chassis Assembly see 72779.</u>
15		<u>For parts call out of Satellite Hydraulics see 72909.</u> (H322C-RHVMS side "A", H324C-RHVMS side "A")
16		<u>For parts call out of Satellite Hydraulics see 72909.</u> (H324C-RHVMS side "B")
17		<u>For parts call out of LC Meter Outlet Hydraulics see 72911.</u> (H322C-RHVMS side "A", H324C-RHVMS side "A")
18		<u>For parts call out of LC Meter Outlet Hydraulics see 72911.</u> (H322C-RHVMS side "B", H324C-RHVMS side "B")
19		<u>For parts call out of Connection Box Assembly see 72917.</u>

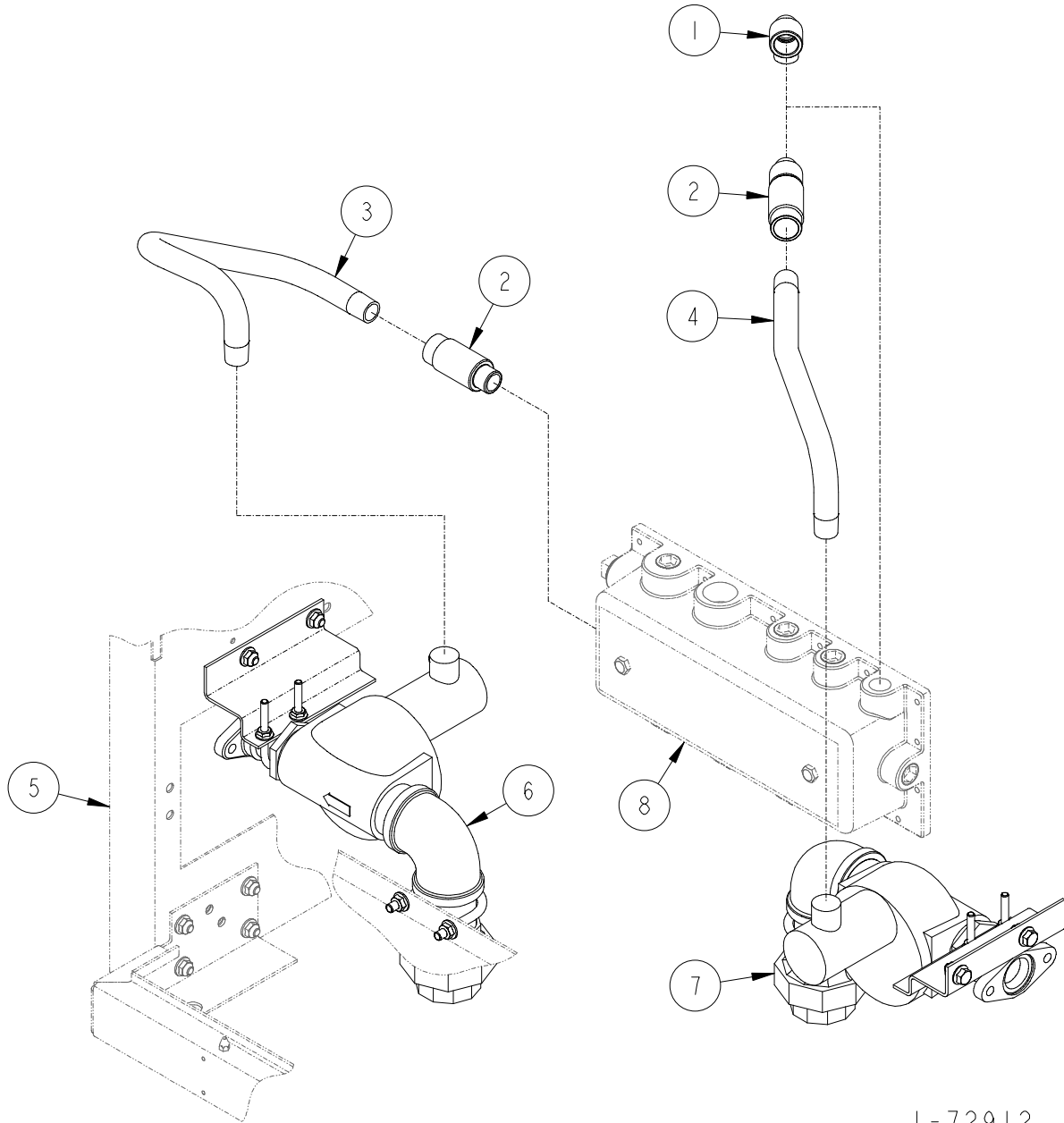
Reference for Tokheim internal use only:

321435      Chassis Assembly

1-72914

3  
B

SATELLITE SYSTEM  
H311C-RHVS, H312C-RHVSS



1-72912

---

## SATELLITE SYSTEM

### H311C-RHVS, H312C-RHVSS

---

ITEM NO.	PART NO.	DESCRIPTION
1	1-128035	1/2" x 90° Conduit Street Elbow
2	1-218941	1/2" Expansion Union (Male/Female)
3	1-321428	Conduit
4	1-321430	Conduit
5	<u>For parts call out of Chassis Assembly see 72779.</u>	
6	<u>For parts call out of Satellite Hydraulics see 72909.</u> (H311C-RHVS, H312C-RHVSS side "A", H324C-RHVMS side "A")	
7	<u>For parts call out of Satellite Hydraulics see 72909.</u> (H312C-RHVSS side "B", H322C-RHVMS side "B", H324C-RHVMS side "B")	
8	<u>For parts call out of Satellite Connection Box Assembly see 72918</u>	

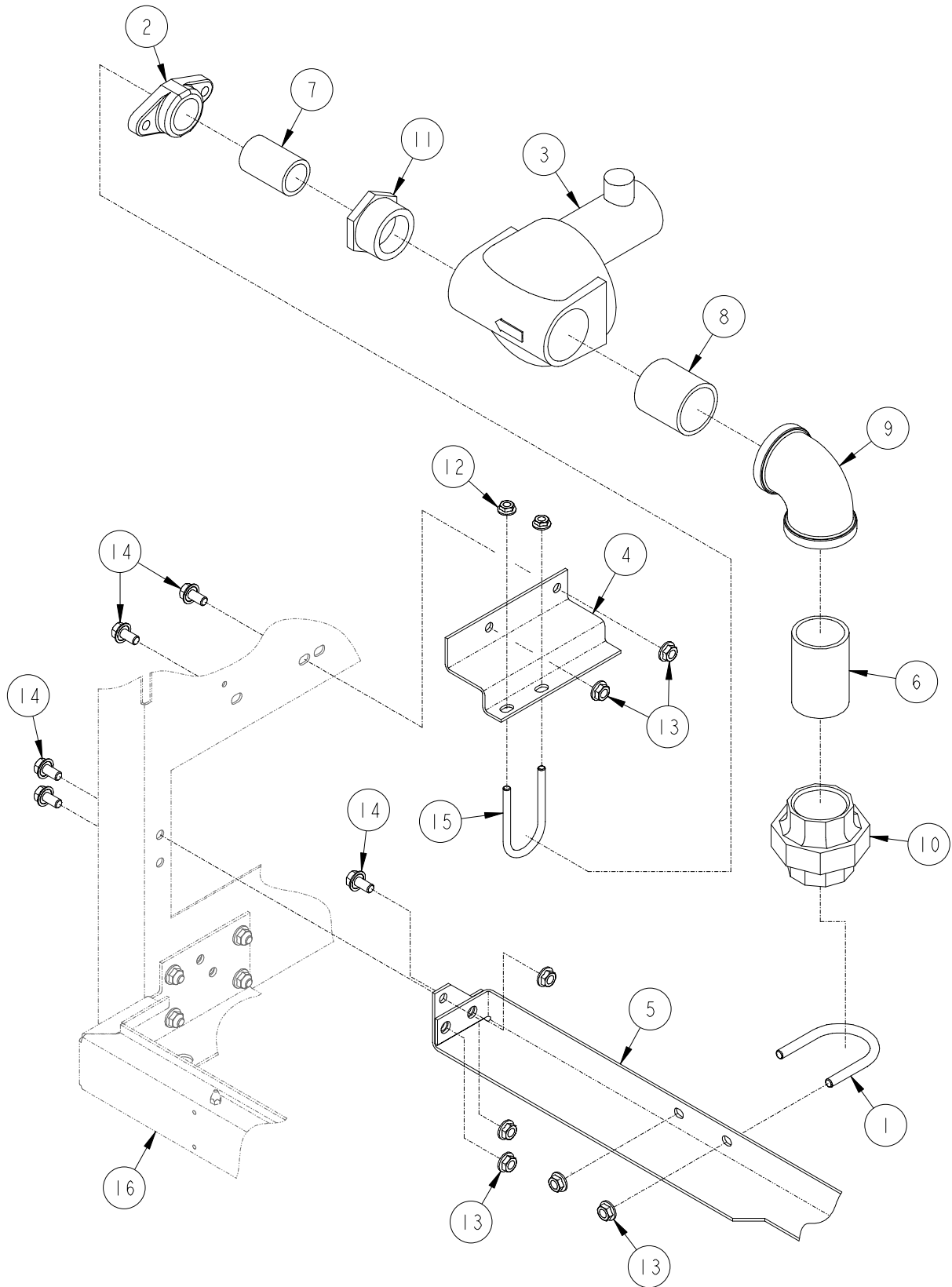
Reference for Tokheim internal use only:

321435      Chassis Assembly

1-72912

3  
B

# SATELLITE HYDRAULICS



1-72909

---

**SATELLITE HYDRAULICS**


---

ITEM NO.	PART NO.	DESCRIPTION
1	1-131336	5/16-18 "U" Bolt
2	5-220923	Meter Flange
3	<u>Control Valve</u>	
	1-319059	120 Volt
	2-319059	220 Volt
4	1-321403	Satellite Inlet Support Bracket
5	1-422962	Inlet Support Bracket
6	196-50510	1-1/2" x 2-13/16" Pipe
7	86-50560	1" x 2" Long Pipe Nipple
8	118-50560	1-1/2" x 2" Long Pipe Nipple
9	08-51700	1-1/2" 90° Elbow Banded
10	07-51780	1-1/2" Female Union
11	22-51850	Hexagon Bushing
12	01-54752	1/4-20 M-F Flange Whiz Lock Nut
13	02-54752	5/16-18 M-F Flange Whiz Lock Nut
14	35-55132	5/16-18 x 5/8" Long M-F Flange Whiz Lock Screw
15	03-55421	1/4-20 "U" Bolt
16	<u>For parts call out of Chassis Assembly see 72779.</u>	

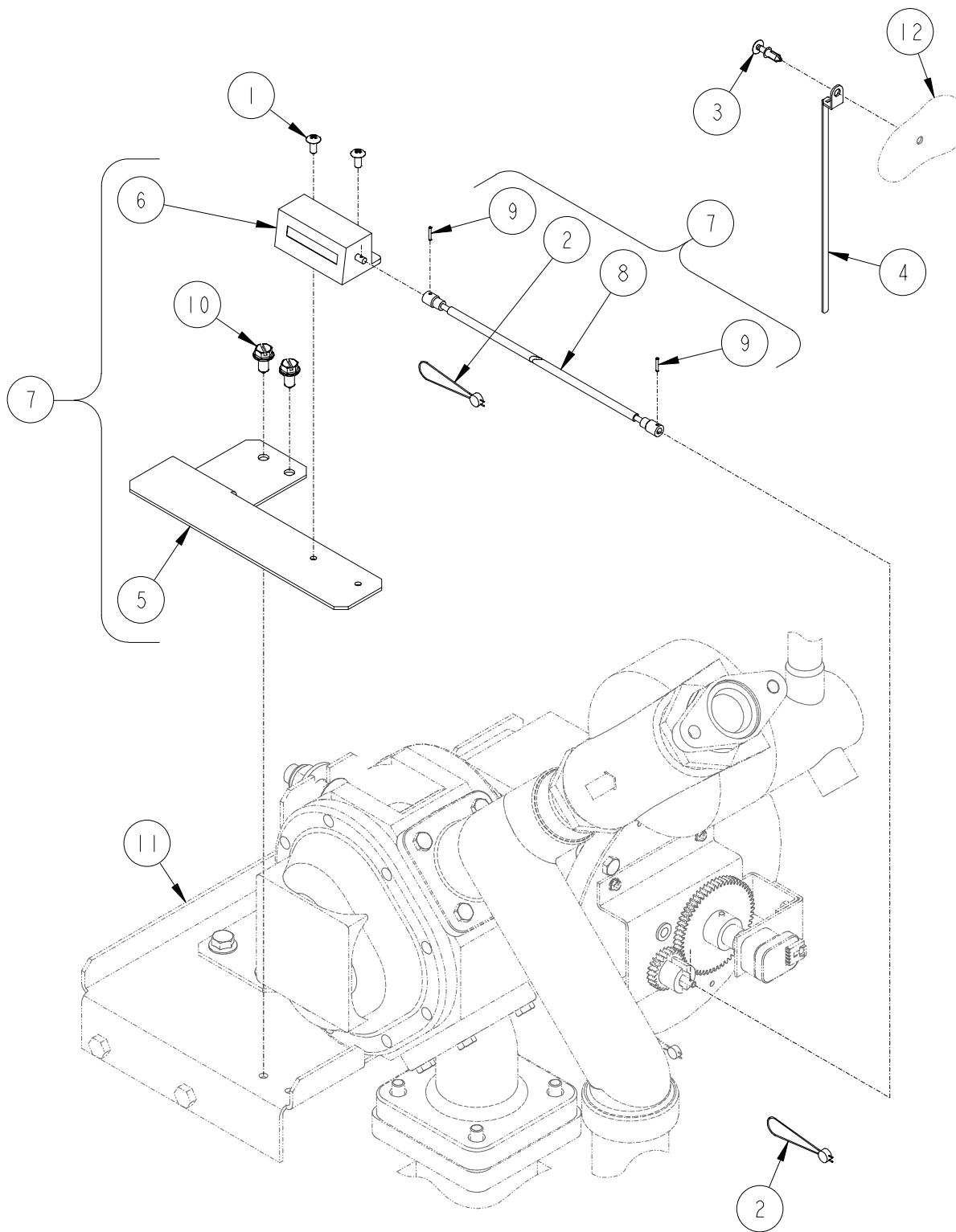
Reference for Tokheim internal use only:

321425	Meter & Hydraulic Assembly
321435	Chassis Assembly

1-72909


 3  
B

# TOTALIZER ASSEMBLY



1-72915

---

## TOTALIZER ASSEMBLY

---

ITEM NO.	PART NO.	DESCRIPTION
1	1-126964	#8-32 x 3/8" Long Truss Head Thread Cutting Screw
2	1-131438	Seal Wire & Seal
3	1-228380	Blind Rivet
4	4-228918	Cable Clamp
5	1-321411	Totalizer Bracket
6	<u>Totalizer</u>	
	1-321444	Gallon
	2-321444	Liter
7	<u>Totalizer Assembly (Includes items 1, 2, 5, 6, 8 &amp; 9)</u>	
	321439-1	Gallon
	321439-2	Liter
8	1-321459	Drive Cable
9	04-52901	Roll Pin
10	69-55392	1/4 x 1/2" Long Hex Washer Head Tapping Screw
11	<u>For parts call out of see:</u>	
	72913	Master/Master System
	72914	Master/Satellite System
12	<u>For parts call out of Chassis Assembly see 72779.</u>	

Reference for Tokheim internal use only:

321425	Meter & Hydraulic Assembly
321435	Chassis Assembly

1-72915





# SECTION

# 4A

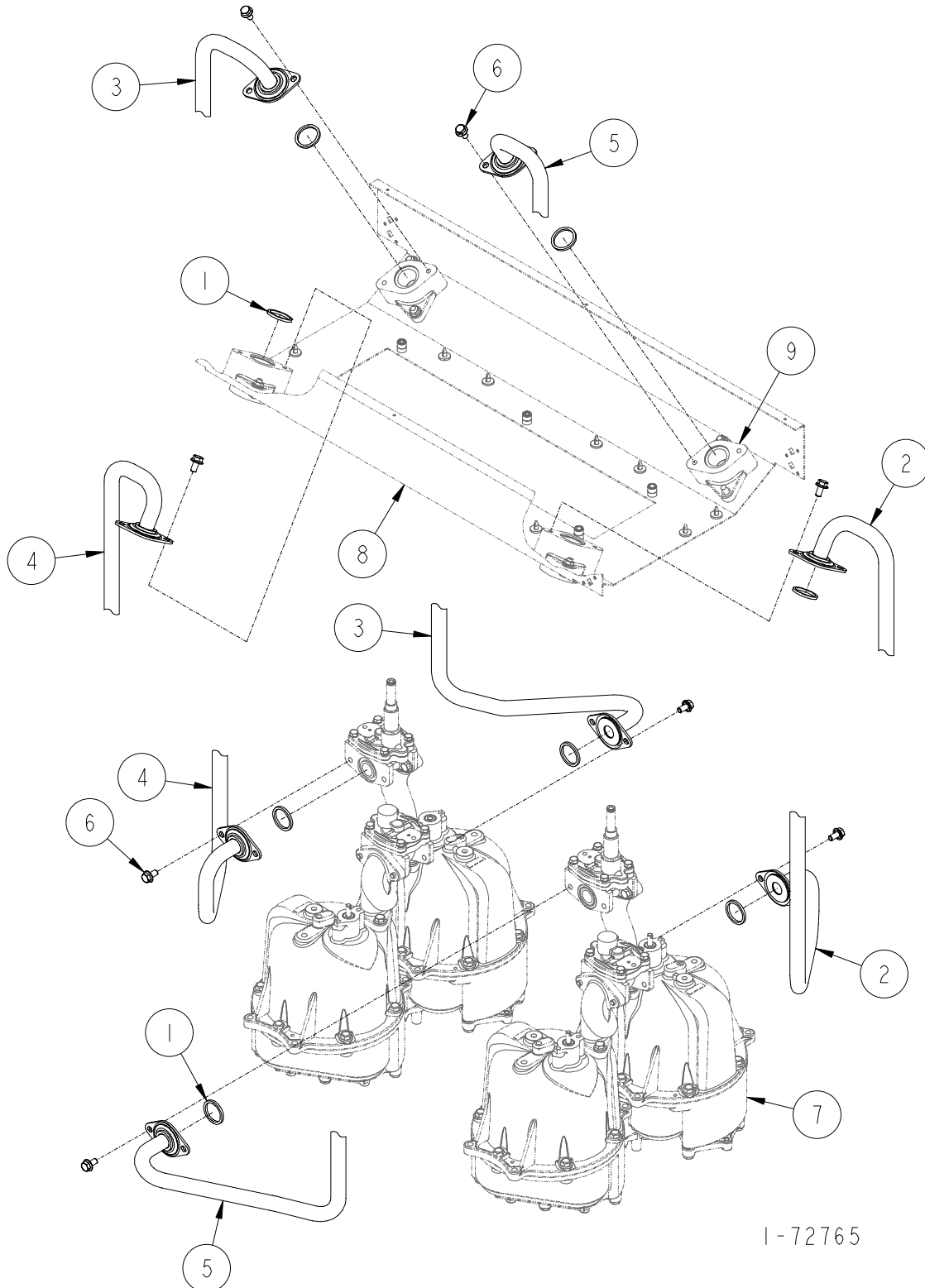
## 898 Discharge Hydraulics (Non Vapor)

	Page Number		Page Number
<u>Discharge Assembly</u>		<u>Discharge Assembly (Continued)</u>	
H311C, H312C, H322C, H324C, H311D, H312D, H322D & H324D .....	4A-2, 4A-3	H413C, H426C, H413D & H426D .....	4A-32, 4A-33
H311C-B3/5 & H322C-B3/5 .....	4A-4, 4A-5	H413C-TR, H413D-TR, H426C-TR & H426D-TR .....	4A-34, 4A-35
H311C-RHVM & H312C-RHVMM .....	4A-6, 4A-7	H413C-EB & H426C-EB .....	4A-36, 4A-37
H311C-RHVS & H312C-RHVSS .....	4A-8, 4A-9	H413C-EBTR & H426C-EBTR .....	4A-38, 4A-39
H322C-RHVSS .....	4A-10, 4A-11	H414C, H428C, H414D & H428D .....	4A-40, 4A-41
H322C-RHVMS & H324C-RHVMS .....	4A-12, 4A-13	H414C-EB & H428C-EB .....	4A-42, 4A-43
H411C, H422C, H411D & H422D .....	4A-14, 4A-15	H724C .....	4A-44, 4A-45
H411C-B3/5 & H422C-B3/5 .....	4A-16, 4A-17	<u>Outlet Adapter Assembly</u>	
H411C-B3/5-MR & H422C-B3/5-MR .....	4A-18, 4A-19	H311C, H312C, H322C, H324C, H413C, H414C, H424C, H424C-B3/4 .....	4A-46, 4A-47
H412C, H424C, H412D & H424D .....	4A-20, 4A-21	H426C, H426C-EB, H428C, H428C-EB, H311D, H312D, H322D, H324D, H413D, H414D, H424D, H426D & H428D .....	4A-48, 4A-49
H412C-TR, H412D-TR, H424C-TR & H424D-TR .....	4A-22, 4A-23	H311C-B3/5, H322C-B3/5, H411C, H422C, H422C-B3/5, H424C, H424C-B3/5, H426C-EB & H411D, H422D & H424D .....	4A-50, 4A-51
H412C-TL, H412D-TL, H424C-TL & H424D-TL .....	4A-24, 4A-25	H424C, H424C-B3/5 & H424D .....	4A-52, 4A-53
H412C-B3/4 & H424C-B3/4 .....	4A-26, 4A-27	Fuel Tube Clamp Assembly .....	4A-54, 4A-55
H412C-B3/4TL & H424C-B3/4TL .....	4A-28, 4A-29		
H412C-B3/4TR & H424C-B3/4TR .....	4A-30, 4A-31		

## **DISCHARGE ASSEMBLY**

H311C, H312C, H322C & H324C (NON VAPOR)

H311D, H312D, H322D & H324D (NON VAPOR)



---

**DISCHARGE ASSEMBLY**  
**H311C, H312C, H322C & H324C (NON VAPOR)**  
**H311D, H312D, H322D & H324D (NON VAPOR)**

---

ITEM NO.	PART NO.	DESCRIPTION
1	13-313235	Gasket
2	1-422641	Fuel Discharge Tube (H311C, H312C, H322C, H324C Side "A", H311D, H312D, H322D, H324D Side "A")
3	1-422641	Fuel Discharge Tube (H324C Side "B" & H324D Side "B")
4	1-422642	Fuel Discharge Tube (H311C, H312C, H322C, H324C Side "A", H311D, H312D, H322D, H324D Side "A")
5	1-422642	Fuel Discharge Tube (H324C Side "B" & H324D Side "B")
6	35-55132	5/16-18 x 5/8" Long M-F Flange Whiz Lock Screw
7		<u>For parts call out of Meter &amp; Hydraulics Assembly see 72726.</u>
8		<u>For parts call out of Chassis Assembly see 72779.</u>
9		<u>For parts call out of Outlet Adaptor Assembly see 72763.</u>

Reference for Tokheim internal use only:

321212	Fuel Tube Hydraulic Assembly
422740	Raceway Assembly

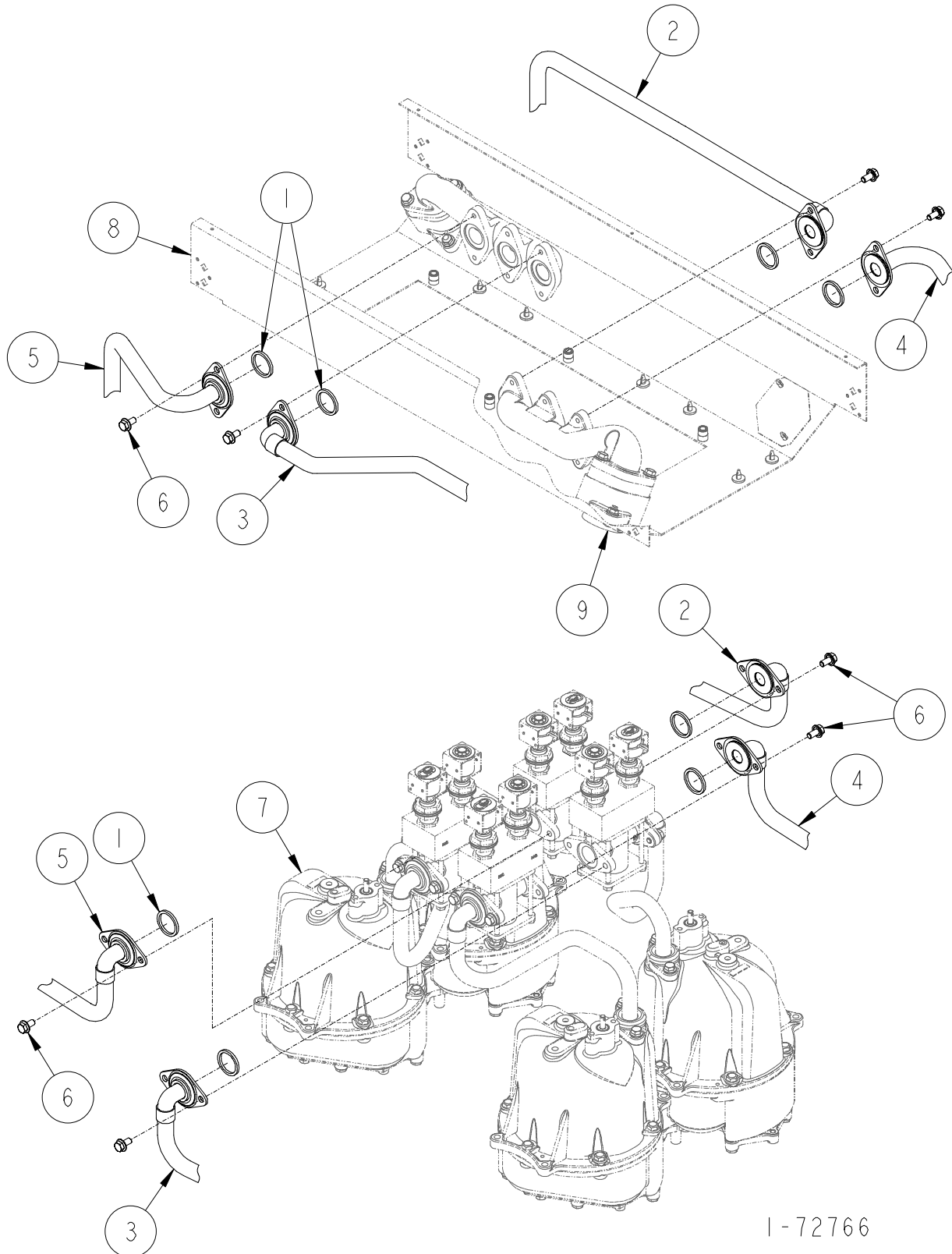
1-72765



4  
A

# **DISCHARGE ASSEMBLY**

H311C-B3/5 & H322C-B3/5 (NON VAPOR)



1-72766

---

## DISCHARGE ASSEMBLY

### H311C-B3/5, H322C-B3/5 (NON VAPOR)

---

ITEM NO.	PART NO.	DESCRIPTION
1	13-313235	Gasket
2	1-422696	Fuel Discharge Tube (H311C-B3/5 & H322C-B3/5 Side "A")
3	1-422696	Fuel Discharge Tube (H322C-B3/5 Side "B")
4	1-422711	Fuel Discharge Tube (H311C-B3/5 & H322C-B3/5 Side "A")
5	1-422711	Fuel Discharge Tube (H322C-B3/5 Side "B")
6	35-55132	5/16-18 x 5/8" Long M-F Flange Whiz Lock Screw
7		<u>For parts call out of Meter &amp; Hydraulics Assembly see 72726.</u>
8		<u>For parts call out of Chassis Assembly see 72779.</u>
9		<u>For parts call out of Outlet Adaptor Assembly see 72761.</u>

Reference for Tokheim internal use only:

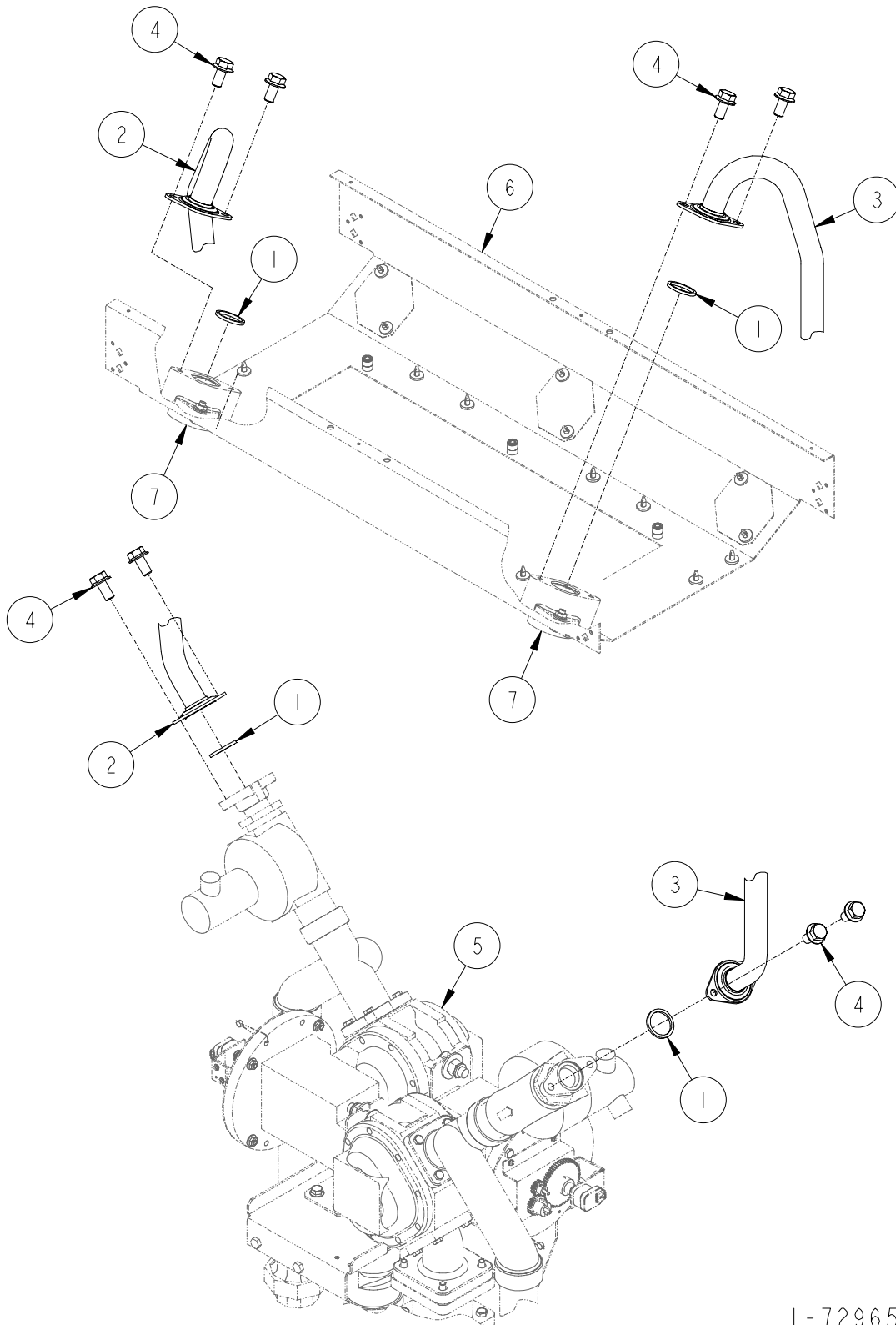
321212	Fuel Tube Hydraulic Assembly
422740	Raceway Assembly

1-72766



# DISCHARGE ASSEMBLY

## H311C-RHVM & H312C-RHVMM



1-72965

---

## DISCHARGE ASSEMBLY

### H311C-RHVM & H312C-RHVMM

---

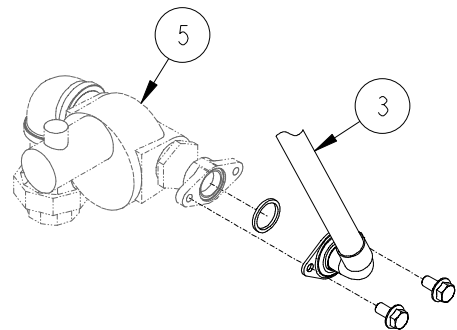
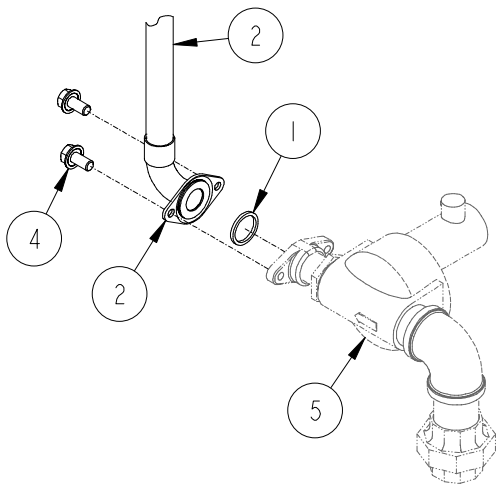
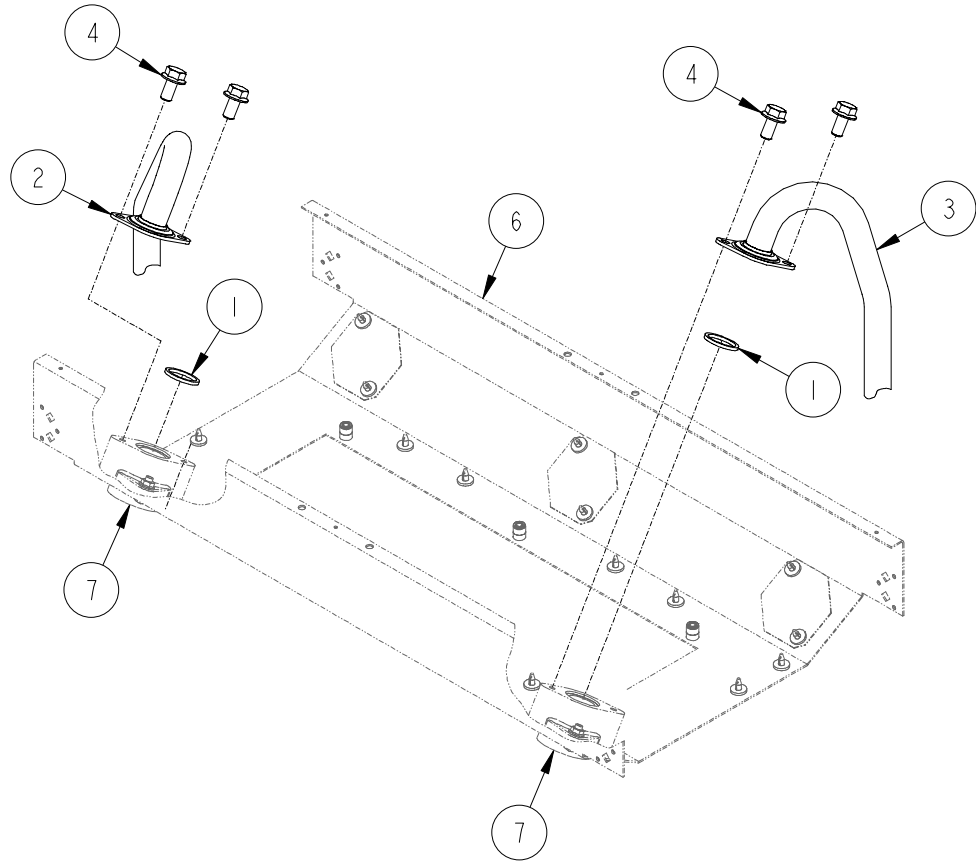
ITEM NO.	PART NO.	DESCRIPTION
1	13-313235	Gasket
2	1-422967	Fuel Discharge Tube (H311C-RHVM & H312C-RHVMM)
3	1-422968	Fuel Discharge Tube (H312C-RHVMM)
4	35-55132	5/16-18 x 5/8" Long M-F Flange Whiz Lock Screw
5	<u>For parts call out of Master/Master System see 72913.</u>	
6	<u>For parts call out of Chassis Assembly see 72779.</u>	
7	<u>For parts call out of Outlet Adaptor Assembly see 72763.</u>	
<u>Reference for Tokheim internal use only:</u>		
321436	Fuel Tube Hydraulic Assembly	
422740	Raceway Assembly	

1-72965



# **DISCHARGE ASSEMBLY**

H311C-RHVS & H312C-RHVSS



1-72966

---

## DISCHARGE ASSEMBLY

### H311C-RHVS & H312C-RHVSS

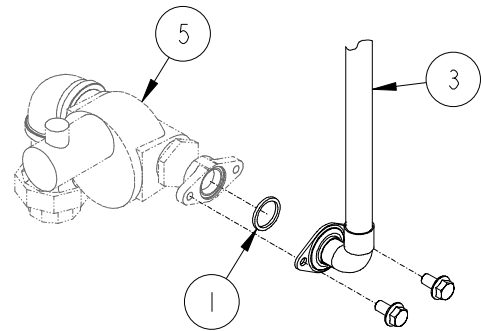
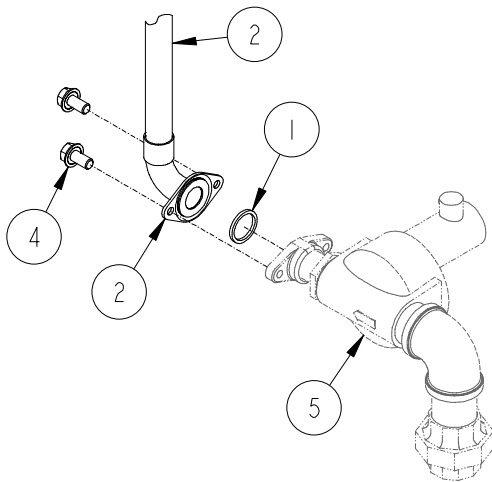
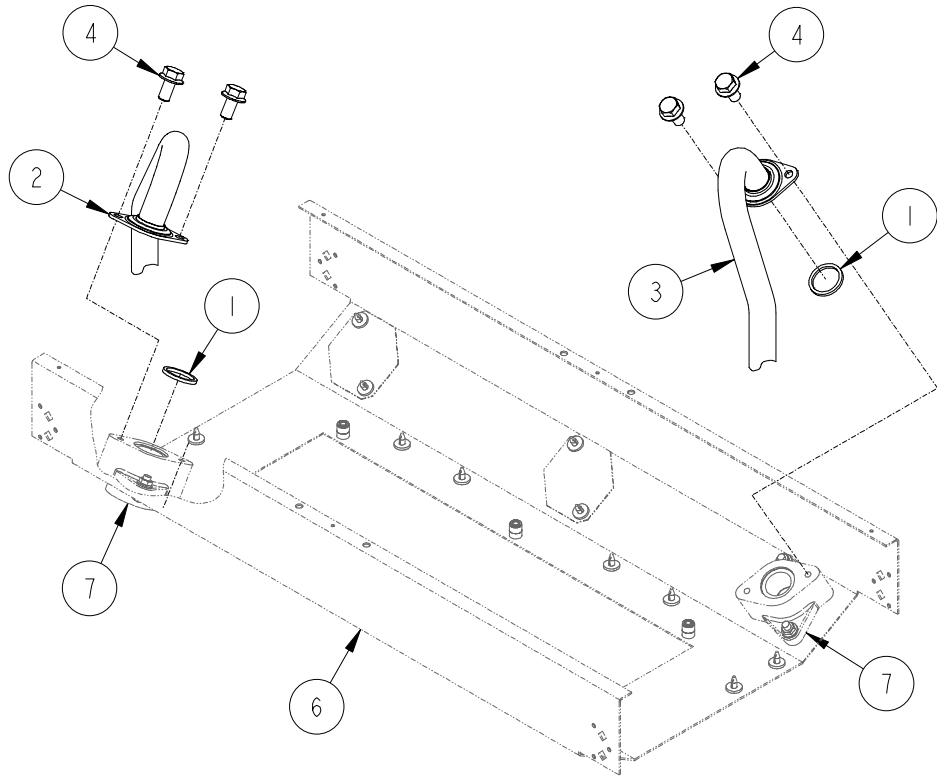
---

ITEM NO.	PART NO.	DESCRIPTION
1	13-313235	Gasket
2	1-422969	Fuel Discharge Tube (H311C-RHVS & H312C-RHVSS)
3	1-422970	Fuel Discharge Tube (H312C-RHVSS)
4	35-55132	5/16-18 x 5/8" Long M-F Flange Whiz Lock Screw
5		<u>For parts call out of Satellite System see 72912.</u>
6		<u>For parts call out of Chassis Assembly see 72779.</u>
7		<u>For parts call out of Outlet Adaptor Assembly see 72763.</u>
<u>Reference for Tokheim internal use only:</u>		
	321436	Fuel Tube Hydraulic Assembly
	422740	Raceway Assembly

1-72966

# **DISCHARGE ASSEMBLY**

H322C-RHVSS



1-72967

---

## DISCHARGE ASSEMBLY

### H322C-RHVSS

---

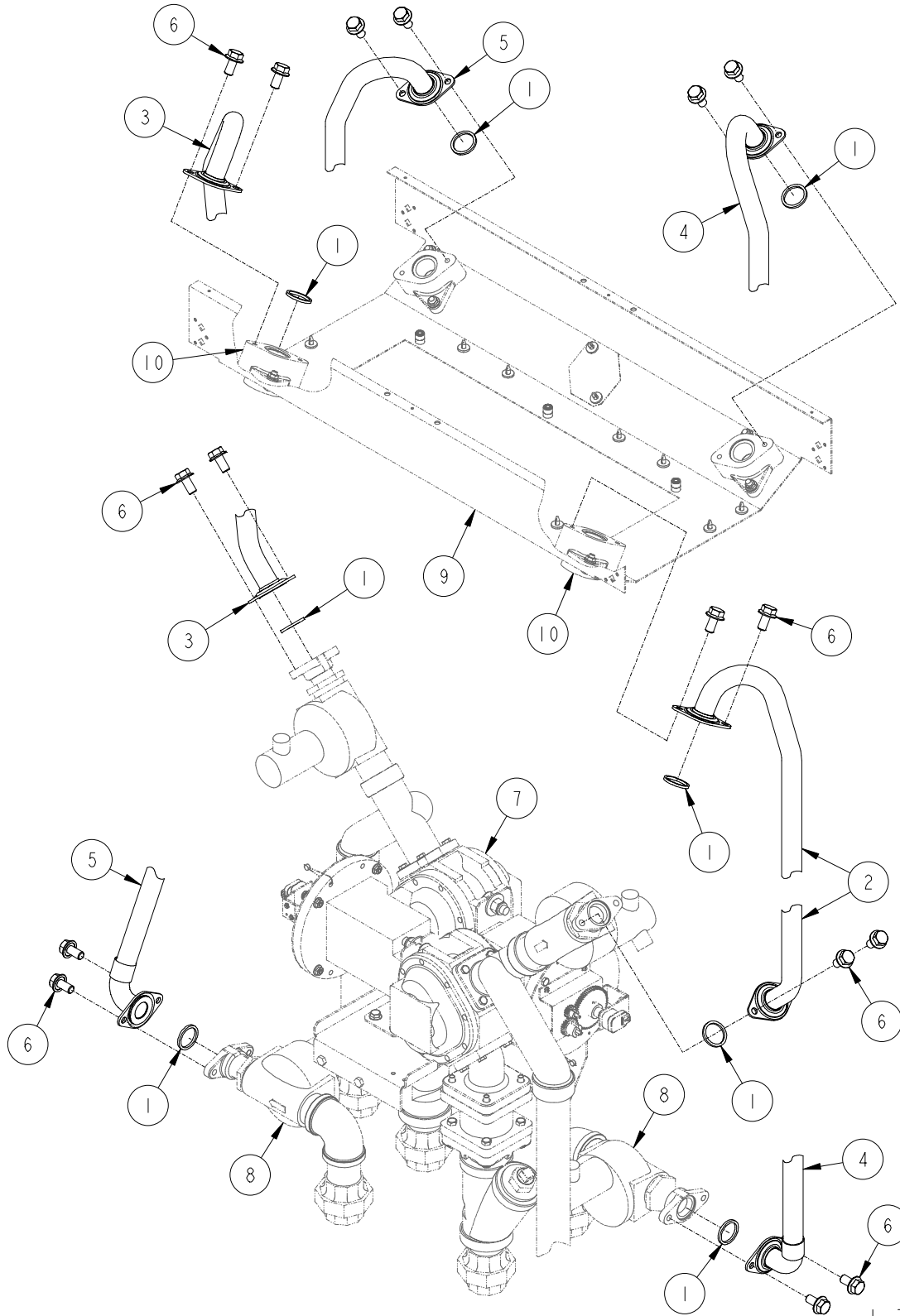
ITEM NO.	PART NO.	DESCRIPTION
1	13-313235	Gasket
2	1-422969	Fuel Discharge Tube
3	1-422969	Fuel Discharge Tube
4	35-55132	5/16-18 x 5/8" Long M-F Flange Whiz Lock Screw
5	<u>For parts call out of Satellite System see 72912.</u>	
6	<u>For parts call out of Chassis Assembly see 72779.</u>	
7	<u>For parts call out of Outlet Adaptor Assembly see 72763.</u>	
<u>Reference for Tokheim internal use only:</u>		
	321436	Fuel Tube Hydraulic Assembly
	422740	Raceway Assembly

1-72967


 4  
A

# **DISCHARGE ASSEMBLY**

## H322C-RHMS & H324C-RHVMS



1-72968

---

## DISCHARGE ASSEMBLY

### H322C-RHVMS & H324C-RHVMS

---

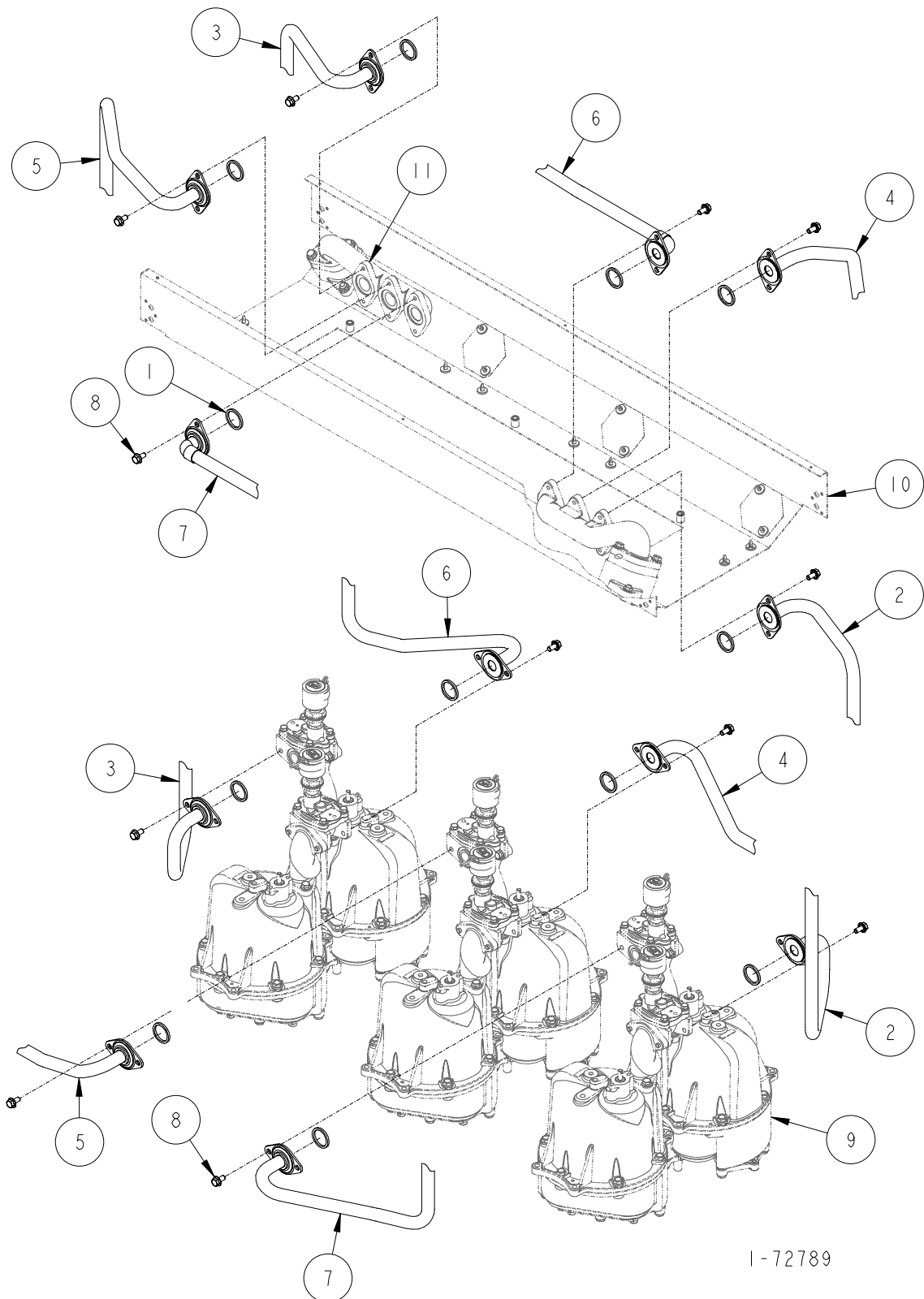
ITEM NO.	PART NO.	DESCRIPTION
1	13-313235	Gasket
2	1-422967	Fuel Discharge Tube
3	1-422968	Fuel Discharge Tube
4	1-422969	Fuel Discharge Tube
5	1-422970	Fuel Discharge Tube
6	35-55132	5/16-18 x 5/8" Long M-F Flange Whiz Lock Screw
7		<u>For parts call out of Master/Master System see 72912.</u>
8		<u>For parts call out of Satellite System see 72913.</u>
9		<u>For parts call out of Chassis Assembly see 72779.</u>
10		<u>For parts call out of Outlet Adaptor Assembly see 72763.</u>
<u>Reference for Tokheim internal use only:</u>		
	321436	Fuel Tube Hydraulic Assembly
	422740	Raceway Assembly

1-72968


 4  
A

# **DISCHARGE ASSEMBLY**

H411C, H422C, H411D & H422D (NON VAPOR)



1-72789

---

**DISCHARGE ASSEMBLY**  
**H411C, H422C, H411D & H422D (NON VAPOR)**

---

ITEM NO.	PART NO.	DESCRIPTION
1	13-313235	Gasket
2	1-422729	Fuel Discharge Tube (H411C, H422C Side "A", H411D, H422D Side "A")
3	1-422729	Fuel Discharge Tube (H422C Side "B" & H422D Side "B")
4	1-422730	Fuel Discharge Tube (H411C, H422C Side "A", H411D, H422D Side "A")
5	1-422730	Fuel Discharge Tube (H422C Side B & H422D Side "B")
6	1-422731	Fuel Discharge Tube (H411C, H422C Side "A", H411D, H422D Side "A")
7	1-422731	Fuel Discharge Tube (H422C Side "B" & H422D Side "B")
8	35-55132	5/16-18 x 5/8" Long M-F Flange Whiz Lock Screw
9	<u>For parts call out of Meter &amp; Hydraulics Assembly see 72726.</u>	
10	<u>For parts call out of Chassis Assembly see 72724.</u>	
11	<u>For parts call out of Outlet Adapter Assembly see 72761.</u>	

Reference for Tokheim internal use only:

321170	Fuel Tube Hydraulic Assembly
422624	Raceway Assembly

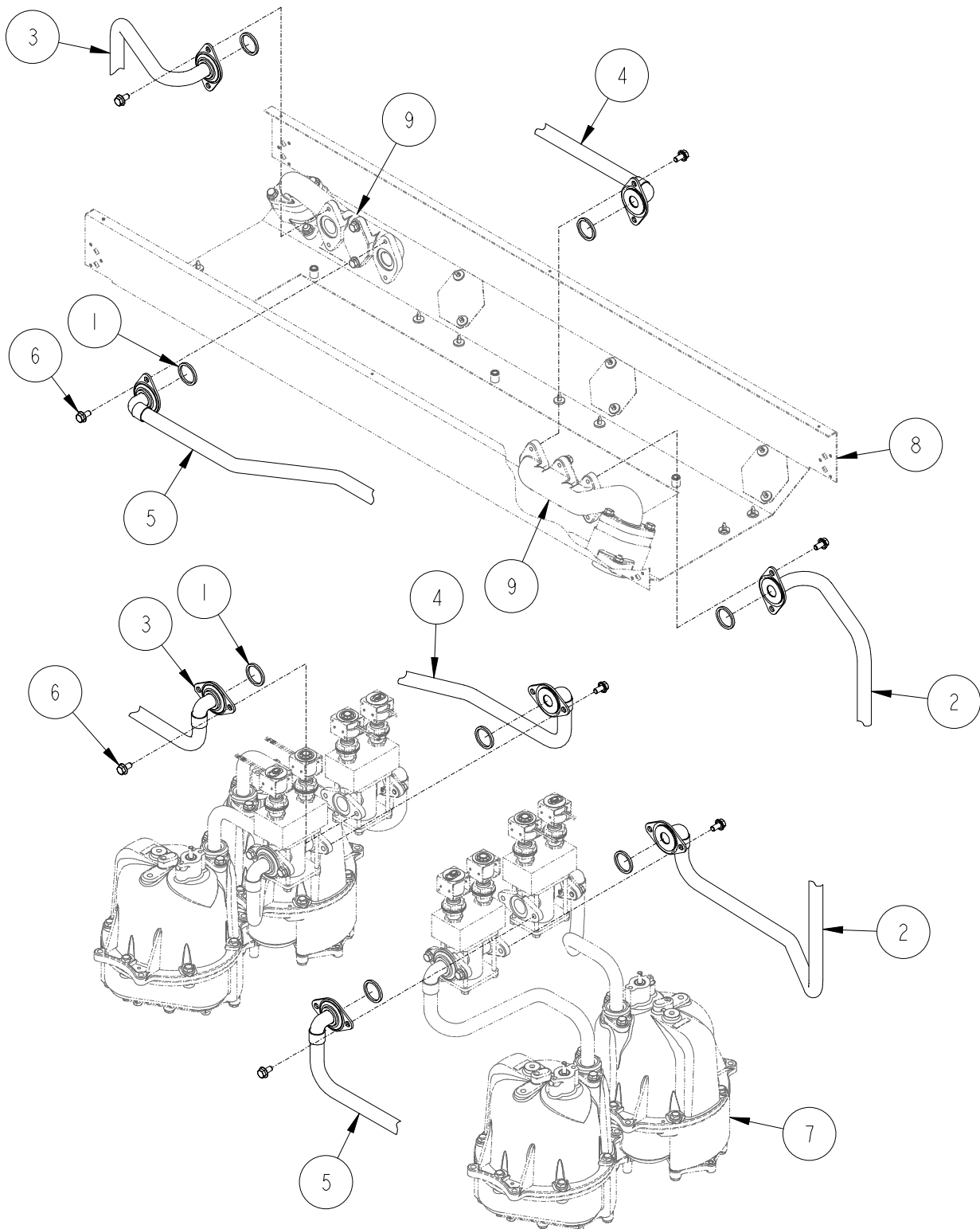
1-72789



4  
A

# **DISCHARGE ASSEMBLY**

H411C-B3/5 & H422C-B3/5 (NON VAPOR)



2-72790

---

**DISCHARGE ASSEMBLY**  
**H411C-B3/5 & H422C-B3/5 (NON VAPOR)**

---

ITEM NO.	PART NO.	DESCRIPTION
1	13-313235	Gasket
2	1-422732	Fuel Discharge Tube (H411C-B3/5 & H422C-B3/5 Side A)
3	1-422732	Fuel Discharge Tube (H422C-B3/5 Side B)
4	1-422733	Fuel Discharge Tube (H411C-B3/5 & H422C-B3/5 Side A)
5	1-422733	Fuel Discharge Tube (H422C-B3/5 Side B)
6	35-55132	5/16-18 x 5/8" Long M-F Flange Whiz Lock Screw
7		<u>For parts call out of Meter &amp; Hydraulics Assembly see 72728.</u>
8		<u>For parts call out of Chassis Assembly see 72724.</u>
9		<u>For parts call out of Outlet Adapter Assembly see 72761.</u>

Reference for Tokheim internal use only:

321170	Fuel Tube Hydraulic Assembly
422624	Raceway Assembly

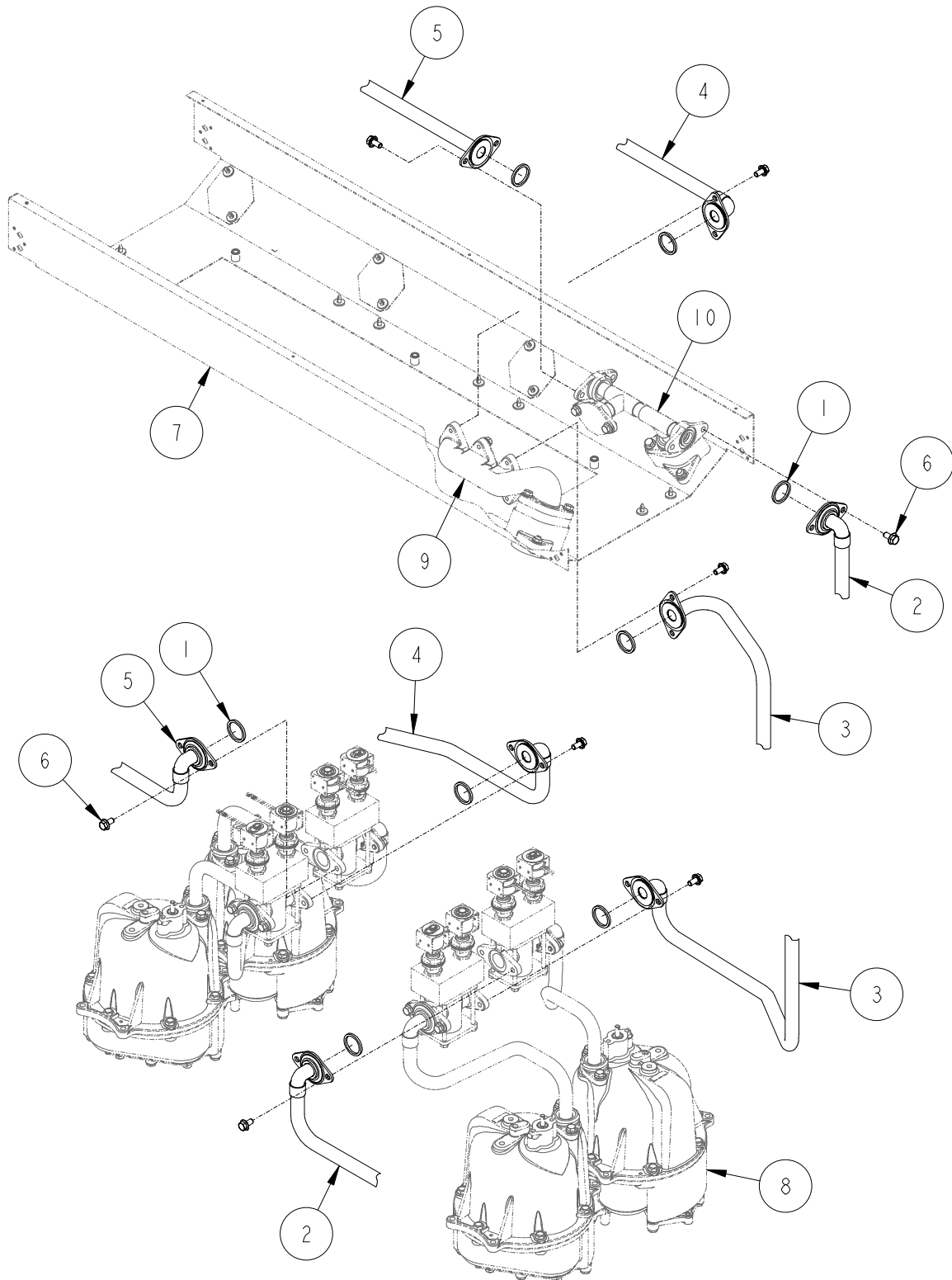
2-72790



4  
A

# **DISCHARGE ASSEMBLY**

H411C-B3/5MR & H422C-B3/5MR (NON VAPOR)



1-72931

---

## DISCHARGE ASSEMBLY

### H411C-B3/5MR & H422C-B3/5MR (NON VAPOR)

---

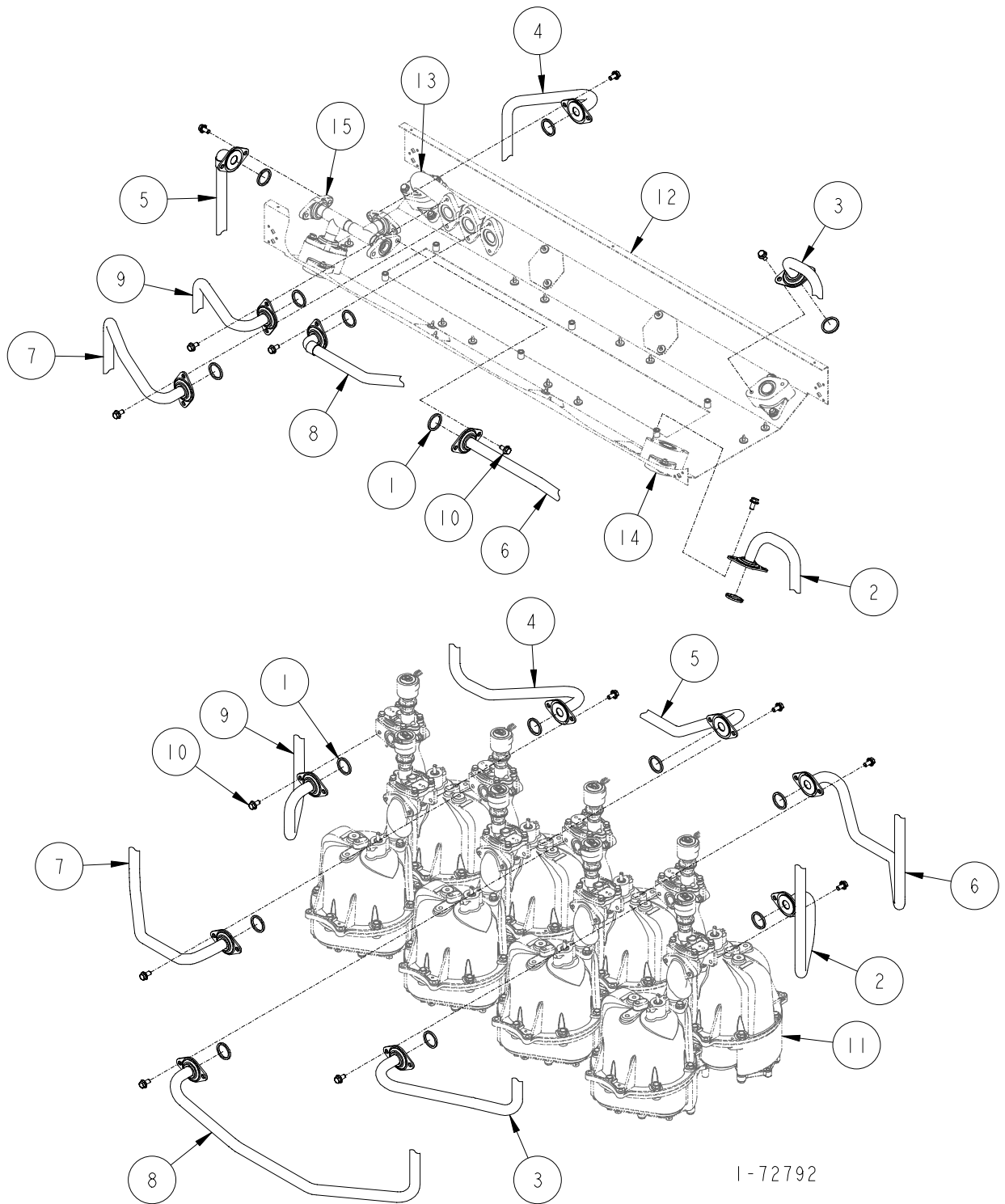
ITEM NO.	PART NO.	DESCRIPTION
1	13-313235	Gasket
2	1-422732	Fuel Discharge Tube
3	1-422732	Fuel Discharge Tube
4	1-422733	Fuel Discharge Tube
5	1-422732	Fuel Discharge Tube
6	35-55132	5/16-18 x 5/8" Long M-F Flange Whiz Lock Screw
7		<u>For parts call out of Chassis Assembly see 72724.</u>
8		<u>For parts call out of Meter &amp; Hydraulics Assembly see 72728.</u>
9		<u>For parts call out of Outlet Adapter Assembly see 72761.</u>
10		<u>For parts call out of Outlet Adapter Assembly see 72818.</u>
<u>Reference for Tokheim internal use only:</u>		
	321170	Fuel Tube Hydraulic Assembly
	422624	Raceway Assembly



1-72931

# **DISCHARGE ASSEMBLY**

H412C, H424C, H412D & H424D (NON VAPOR)



1-72792

---

**DISCHARGE ASSEMBLY**  
**H412C, H424C, H412D & H424D (NON VAPOR)**

---

ITEM NO.	PART NO.	DESCRIPTION
1	13-313235	Gasket
2	1-422641	Fuel Discharge Tube (H412C, H424C Side "A", H412D, H424D Side "A")
3	1-422642	Fuel Discharge Tube (H424C Side "B" & H424D Side "B")
4	1-422697	Fuel Discharge Tube (H412C, H424C Side "A", H412D, H424D Side "A")
5	1-422698	Fuel Discharge Tube (H424C Side "B" & H424D Side "B")
6	1-422699	Fuel Discharge Tube (H412C, H424C Side "A", H412D, H424D Side "A")
7	1-422700	Fuel Discharge Tube (H424C Side "B" & H424D Side "B")
8	1-422701	Fuel Discharge Tube (H412C, H424C Side "A", H412D, H424D Side "A")
9	1-422729	Fuel Discharge Tube (H424C Side "B" & H424D Side "B")
10	35-55132	5/16-18 x 5/8" Long M-F Flange Whiz Lock Screw
11	<u>For parts call out of Meter &amp; Hydraulics Assembly see 72726.</u>	
12	<u>For parts call out of Chassis Assembly see 72724.</u>	
13	<u>For parts call out of Outlet Adapter Assembly see 72761.</u>	
14	<u>For parts call out of Outlet Adapter Assembly see 72763.</u>	
15	<u>For parts call out of Outlet Adapter Assembly see 72818.</u>	

Reference for Tokheim internal use only:

321170	Fuel Tube Hydraulic Assembly
422624	Raceway Assembly

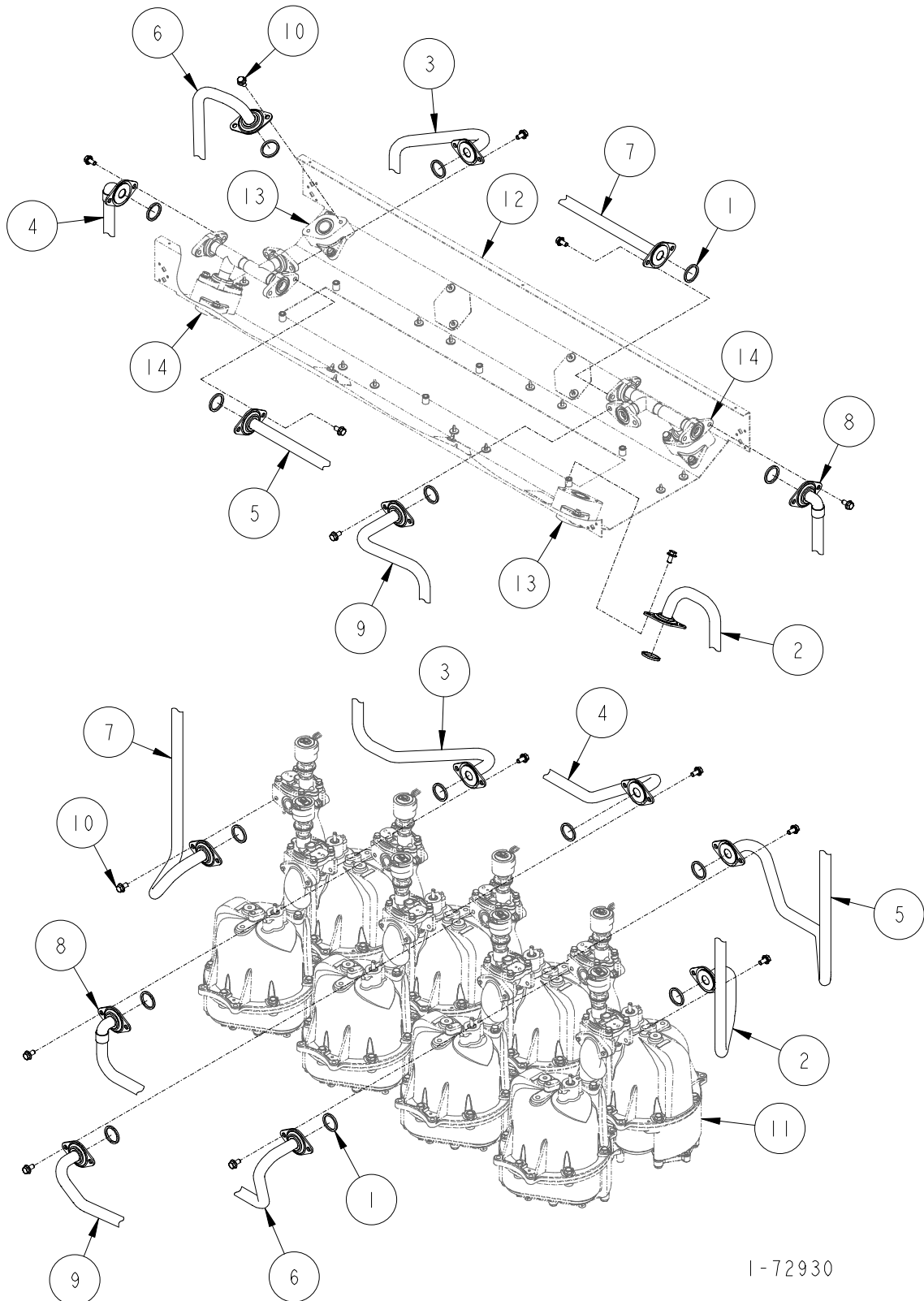
1-72792



4  
A

# **DISCHARGE ASSEMBLY**

H412C-TR, H412D-TR, H424C-TR & H424D-TR (NON VAPOR)



1-72930

**DISCHARGE ASSEMBLY****H412C-TR, H412D-TR, H424C-TR & H424D-TR (NON VAPOR)**

ITEM NO.	PART NO.	DESCRIPTION
1	13-313235	Gasket
2	1-422641	Fuel Discharge Tube (H412C-TR, H424C-TR Side "A", H412D-TR, H424D-TR Side "A")
3	1-422697	Fuel Discharge Tube (H412C-TR, H424C-TR Side "A", H412D-TR, H424D-TR Side "A")
4	1-422698	Fuel Discharge Tube (H412C-TR, H424C-TR Side "A", H412D-TR, H424D-TR Side "A")
5	1-422699	Fuel Discharge Tube (H412C-TR, H424C-TR Side "A", H412D-TR, H424D-TR Side "A")
6	1-422975	Fuel Discharge Tube (H424C-TR Side "B" & H424D-TR Side "B")
7	1-422976	Fuel Discharge Tube (H424C-TR Side "B" & H424D-TR Side "B")
8	1-422977	Fuel Discharge Tube (H424C-TR Side "B" & H424D-TR Side "B")
9	1-422978	Fuel Discharge Tube (H424C-TR Side "B" & H424D-TR Side "B")
10	35-55132	5/16-18 x 5/8" Long M-F Flange Whiz Lock Screw
11		<u>For parts call out of Meter &amp; Hydraulics Assembly see 72726.</u>
12		<u>For parts call out of Chassis Assembly see 72724.</u>
13		<u>For parts call out of Outlet Adapter Assembly see 72763.</u>
14		<u>For parts call out of Outlet Adapter Assembly see 72818.</u>

Reference for Tokheim internal use only:

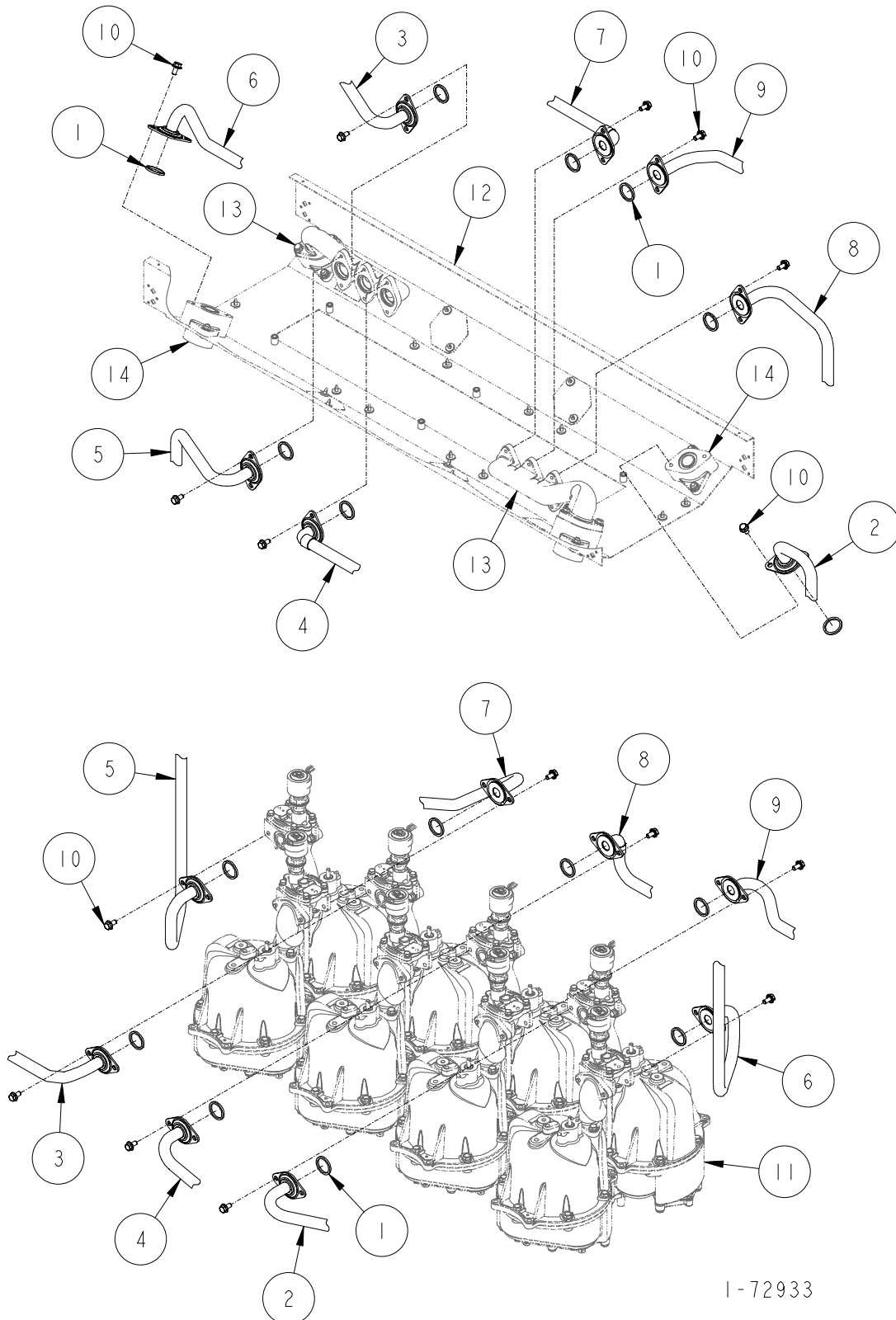
321170	Fuel Tube Hydraulic Assembly
422624	Raceway Assembly

1-72930

4  
A

# **DISCHARGE ASSEMBLY**

H412C-TL, H412D-TL, H424C-TL & H424D-TL (NON VAPOR)



I-72933

**DISCHARGE ASSEMBLY****H412C-TL, H412D-TL, H424C-TL & H424D-TL (NON VAPOR)**

ITEM NO.	PART NO.	DESCRIPTION
1	13-313235	Gasket
2	1-422642	Fuel Discharge Tube (H424C-TR Side "B" & H424D-TR Side "B")
3	1-422700	Fuel Discharge Tube (H424C-TR Side "B" & H424D-TR Side "B")
4	1-422701	Fuel Discharge Tube (H424C-TR Side "B" & H424D-TR Side "B")
5	1-422729	Fuel Discharge Tube (H424C-TR Side "B" & H424D-TR Side "B")
6	1-422832	Fuel Discharge Tube (H412C-TR, H424C-TR Side "A", H412D-TR, H424D-TR Side "A")
7	1-422854	Fuel Discharge Tube (H412C-TR, H424C-TR Side "A", H412D-TR, H424D-TR Side "A")
8	1-422855	Fuel Discharge Tube (H412C-TR, H424C-TR Side "A", H412D-TR, H424D-TR Side "A")
9	1-422856	Fuel Discharge Tube (H412C-TR, H424C-TR Side "A", H412D-TR, H424D-TR Side "A")
10	35-55132	5/16-18 x 5/8" Long M-F Flange Whiz Lock Screw
11		<u>For parts call out of Meter &amp; Hydraulics Assembly see 72726.</u>
12		<u>For parts call out of Chassis Assembly see 72724.</u>
13		<u>For parts call out of Outlet Adapter Assembly see 72761.</u>
14		<u>For parts call out of Outlet Adapter Assembly see 72763.</u>

Reference for Tokheim internal use only:

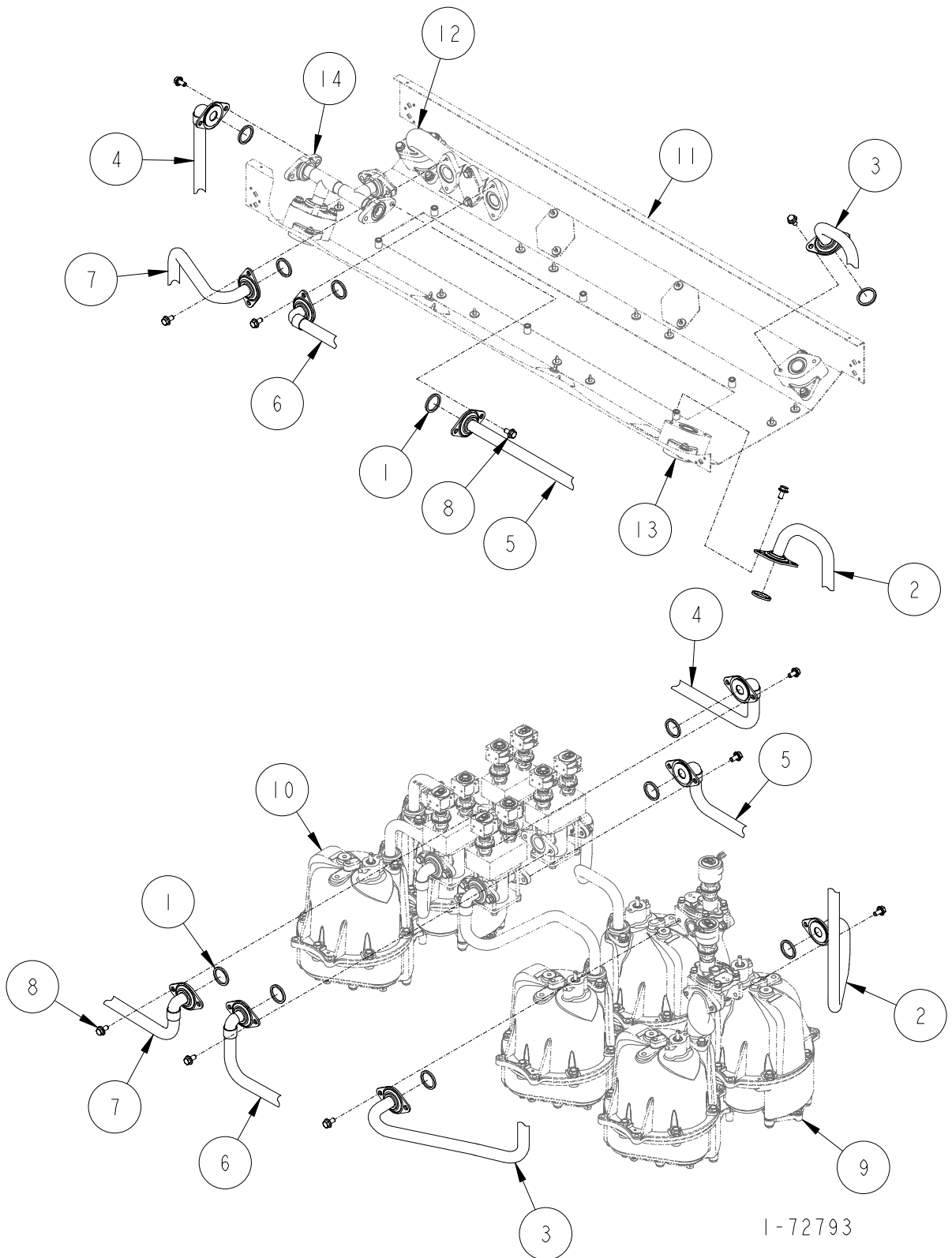
321170	Fuel Tube Hydraulic Assembly
422624	Raceway Assembly

1-72933

4  
A

# **DISCHARGE ASSEMBLY**

H412C-B3/4 & H424C-B3/4 (NON VAPOR)



1-72793

---

## DISCHARGE ASSEMBLY

### H412C-B3/4 & H424C-B3/4 (NON VAPOR)

---

ITEM NO.	PART NO.	DESCRIPTION
1	13-313235	Gasket
2	1-422641	Fuel Discharge Tube (H412C-B3/4 Side "A", H424C-B3/4 Side "A")
3	1-422642	Fuel Discharge Tube (H424C-B3/4 Side "B")
4	1-422702	Fuel Discharge Tube (H412C-B3/4 Side "A", H424C-B3/4 Side "A")
5	1-422703	Fuel Discharge Tube (H412C-B3/4 Side "A", H424C-B3/4 Side "A")
6	1-422704	Fuel Discharge Tube (H424C-B3/4 Side "B")
7	1-422732	Fuel Discharge Tube (H424C-B3/4 Side "B")
8	35-55132	5/16-18 x 5/8" Long M-F Flange Whiz Lock Screw
9	<u>For parts call out of Meter &amp; Hydraulics Assembly see 72726.</u>	
10	<u>For parts call out of Meter &amp; Hydraulics Assembly see 72728.</u>	
11	<u>For parts call out of Chassis Assembly see 72724.</u>	
12	<u>For parts call out of Outlet Adapter Assembly see 72761.</u>	
13	<u>For parts call out of Outlet Adapter Assembly see 72763.</u>	
14	<u>For parts call out of Outlet Adapter Assembly see 72818.</u>	

Reference for Tokheim internal use only:

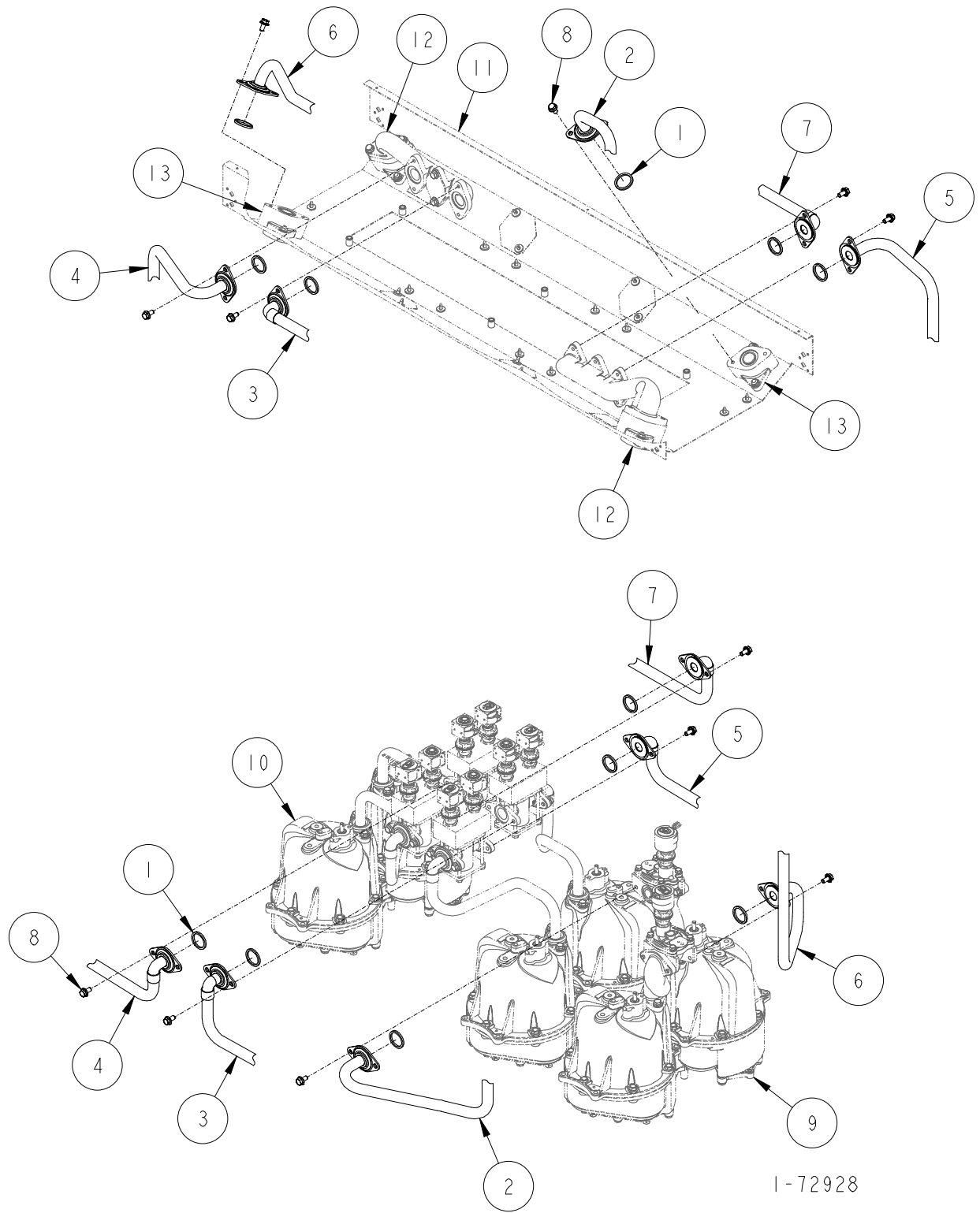
321170	Fuel Tube Hydraulic Assembly
422624	Raceway Assembly

1-72793


 4  
A

# **DISCHARGE ASSEMBLY**

H412C-B3/4TL & H424C-B3/4TL (NON VAPOR)



1-72928

---

**DISCHARGE ASSEMBLY**  
**H412C-B3/4TL & H424C-B3/4TL (NON VAPOR)**

---

ITEM NO.	PART NO.	DESCRIPTION
1	13-313235	Gasket
2	1-422642	Fuel Discharge Tube (H424C-B3/4TL Side "B")
3	1-422704	Fuel Discharge Tube (H424C-B3/4TL Side "B")
4	1-422732	Fuel Discharge Tube (H424C-B3/4TL Side "B")
5	1-422831	Fuel Discharge Tube (H412C-B3/4TL & H424C-B3/4TL Side "A")
6	1-422832	Fuel Discharge Tube (H412C-B3/4TL & H424C-B3/4TL Side "A")
7	1-422833	Fuel Discharge Tube (H412C-B3/4TL & H424C-B3/4TL Side "A")
8	35-55132	5/16-18 x 5/8" Long M-F Flange Whiz Lock Screw
9		<u>For parts call out of Meter &amp; Hydraulics Assembly see 72726.</u>
10		<u>For parts call out of Meter &amp; Hydraulics Assembly see 72728.</u>
11		<u>For parts call out of Chassis Assembly see 72724.</u>
12		<u>For parts call out of Outlet Adapter Assembly see 72761.</u>
13		<u>For parts call out of Outlet Adapter Assembly see 72763.</u>

Reference for Tokheim internal use only:

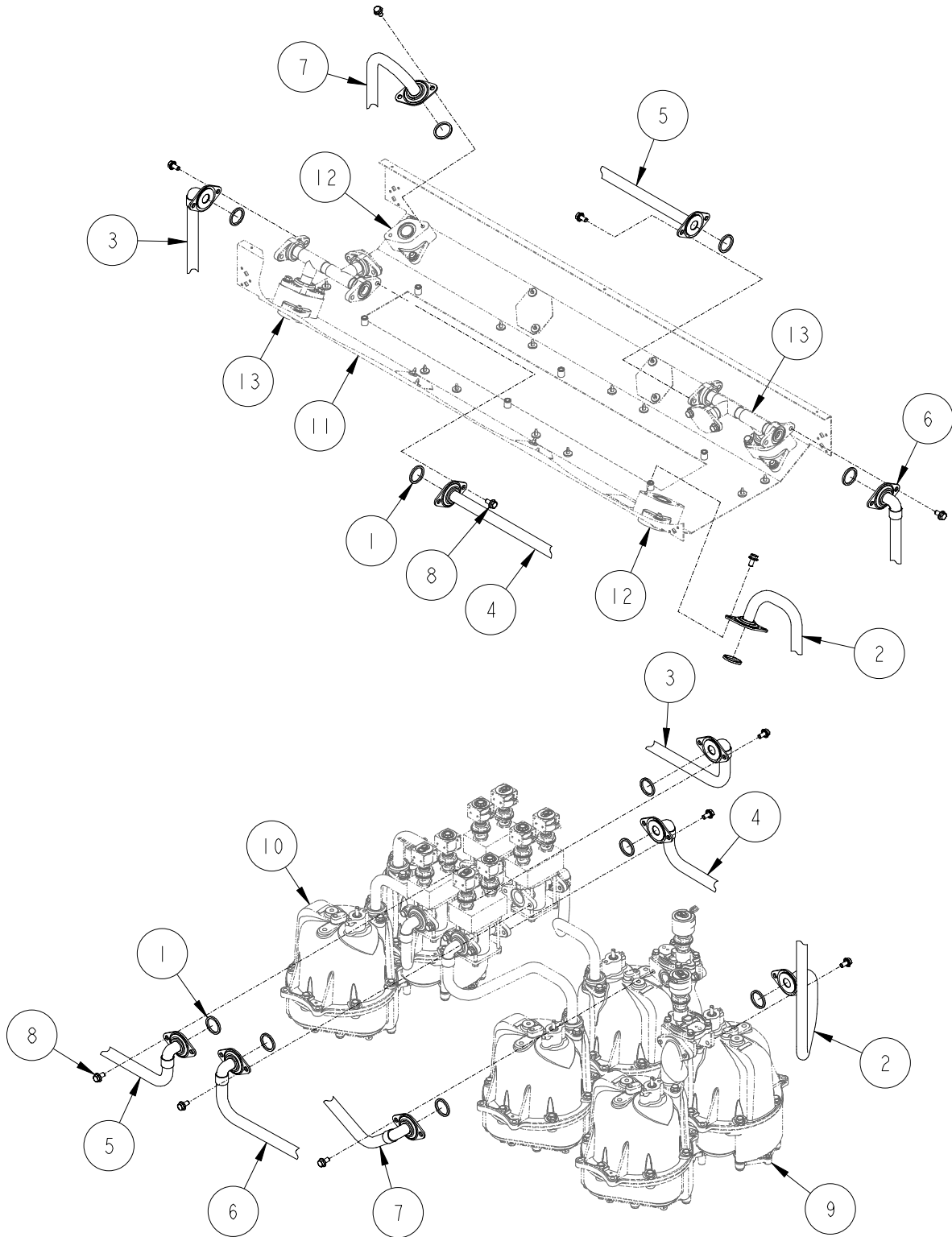
321170	Fuel Tube Hydraulic Assembly
422624	Raceway Assembly

1-72928



4  
A

**DISCHARGE ASSEMBLY**  
H412C-B3/4TR & H424C-B3/4TR (NON VAPOR)



1-72929

---

## DISCHARGE ASSEMBLY

### H412C-B3/4TR & H424C-B3/4TR (NON VAPOR)

---

ITEM NO.	PART NO.	DESCRIPTION
1	13-313235	Gasket
2	1-422641	Fuel Discharge Tube (H412C-B3/4TR & H424C-B3/4TR Side "A")
3	1-422702	Fuel Discharge Tube (H412C-B3/4TR & H424C-B3/4TR Side "A")
4	1-422703	Fuel Discharge Tube (H412C-B3/4TR & H424C-B3/4TR Side "A")
5	1-422844	Fuel Discharge Tube (H424C-B3/4TR Side "B")
6	1-422845	Fuel Discharge Tube (H424C-B3/4TR Side "B")
7	1-422881	Fuel Discharge Tube (H424C-B3/4TR Side "B")
8	35-55132	5/16-18 x 5/8" Long M-F Flange Whiz Lock Screw
9	<u>For parts call out of Meter &amp; Hydraulics Assembly see 72726.</u>	
10	<u>For parts call out of Meter &amp; Hydraulics Assembly see 72728.</u>	
11	<u>For parts call out of Chassis Assembly see 72724.</u>	
12	<u>For parts call out of Outlet Adapter Assembly see 72763.</u>	
13	<u>For parts call out of Outlet Adapter Assembly see 72818.</u>	

Reference for Tokheim internal use only:

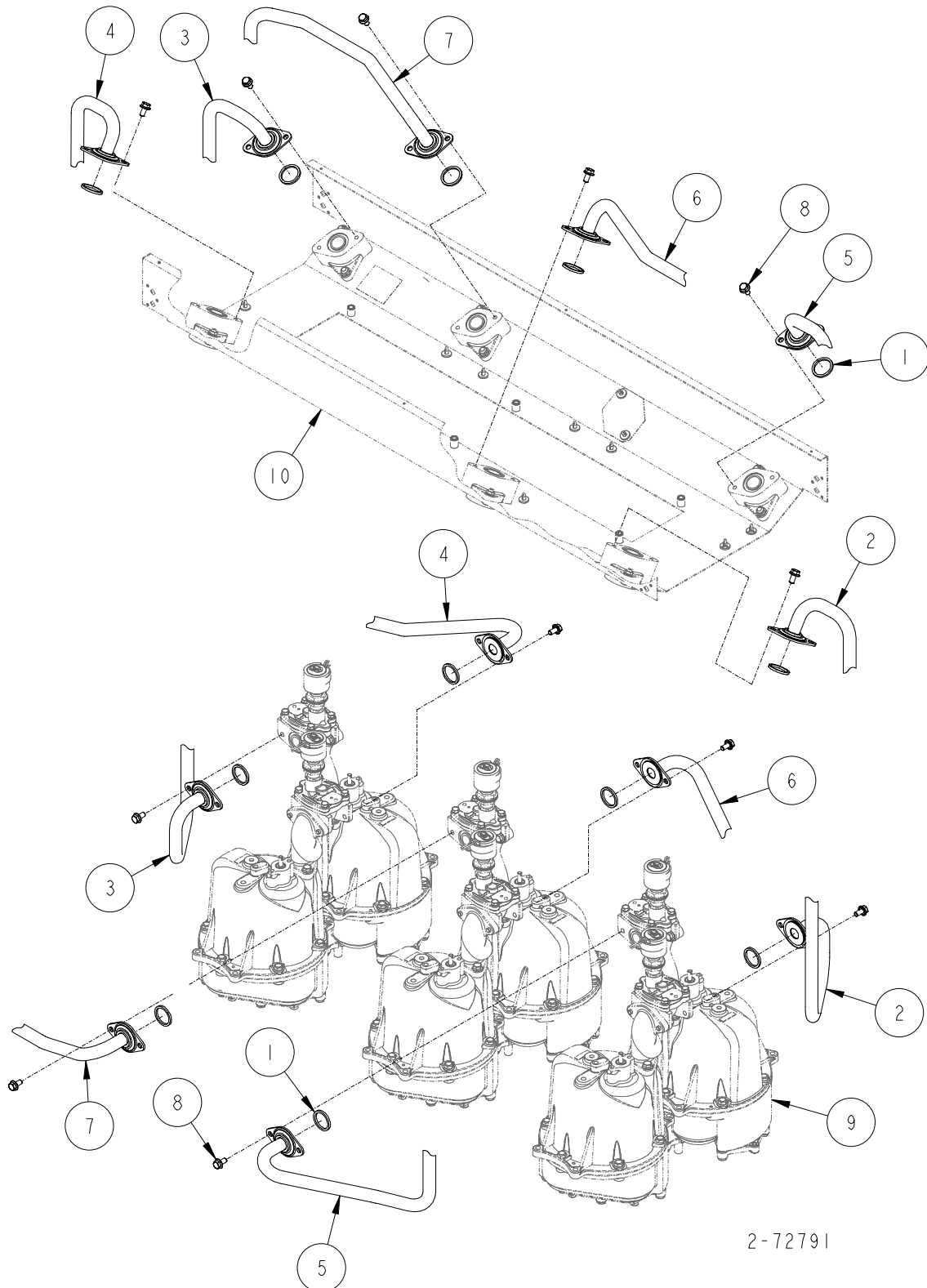
321170	Fuel Tube Hydraulic Assembly
422624	Raceway Assembly

1-72929



# **DISCHARGE ASSEMBLY**

H413C, H426C, H413D & H426D (NON VAPOR)



2-72791

---

**DISCHARGE ASSEMBLY**  
**H413C, H426C, H413D & H426D (NON VAPOR)**

---

ITEM NO.	PART NO.	DESCRIPTION
1	13-313235	Gasket
2	1-422641	Fuel Discharge Tube (H413C, H426C Side "A", H413D, H426D Side "A")
3	1-422641	Fuel Discharge Tube (H426C Side "B" & H426D Side "B")
4	1-422642	Fuel Discharge Tube (H413C, H426C Side "A", H413D, H426D Side "A")
5	1-422642	Fuel Discharge Tube (H426C Side "B" & H426D Side "B")
6	1-422643	Fuel Discharge Tube (H413C, H426C Side "A", H413D, H426D Side "A")
7	1-422643	Fuel Discharge Tube (H426C Side "B" & H426D Side "B")
8	35-55132	5/16-18 x 5/8" Long M-F Flange Whiz Lock Screw
9	<u>For parts call out of Meter &amp; Hydraulics Assembly see 72726.</u>	
10	<u>For parts call out of Chassis Assembly see 72724.</u>	
11	<u>For parts call out of Outlet Adapter Assembly see 72763.</u>	

Reference for Tokheim internal use only:

321170	Fuel Tube Hydraulic Assembly
422624	Raceway Assembly

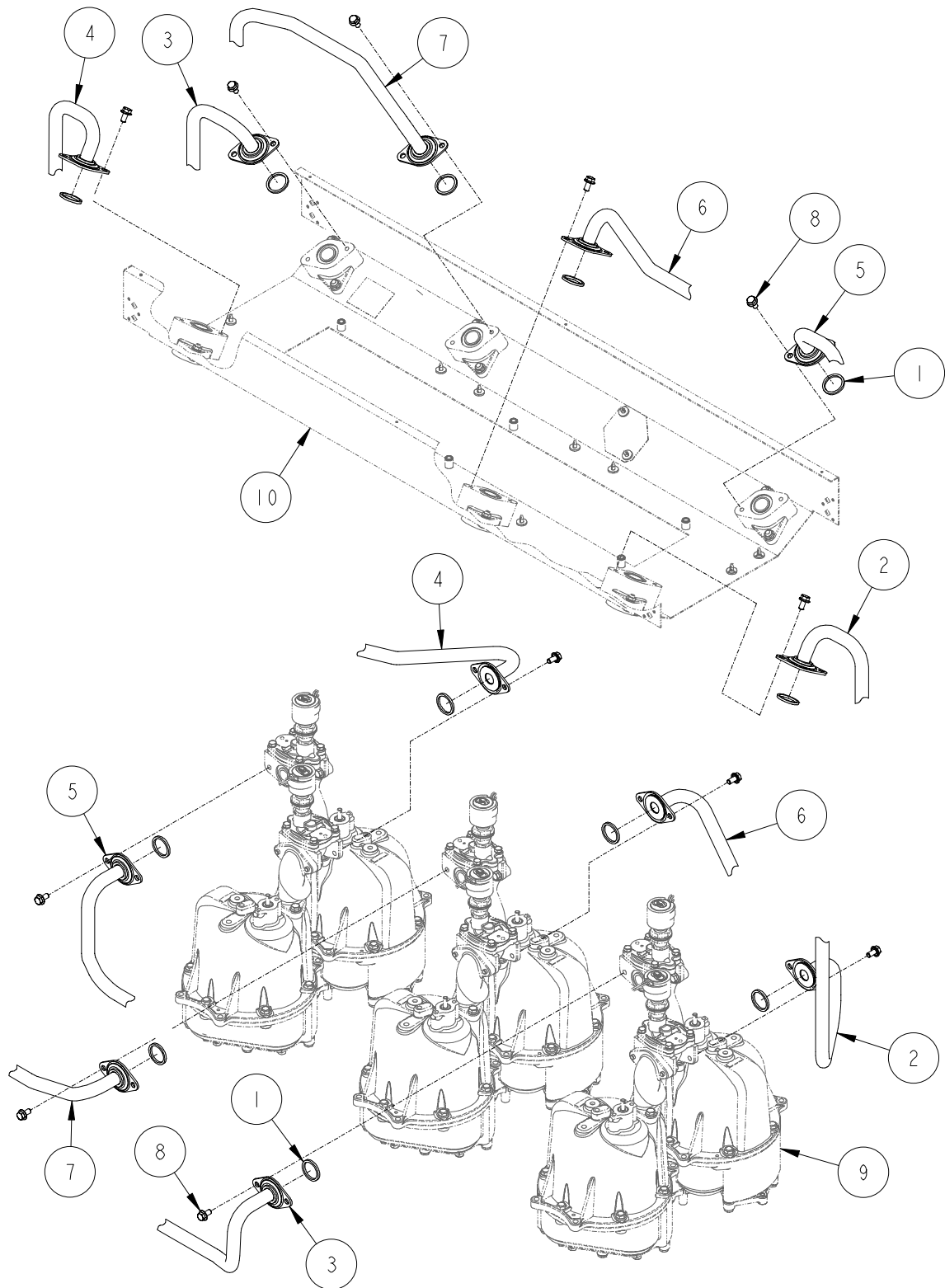
2-72791



4  
A

# **DISCHARGE ASSEMBLY**

H413C-TR, H426C-TR, H413D-TR & H426D-TR (NON VAPOR)



1-72934

**DISCHARGE ASSEMBLY****H413C-TR, H426C-TR, H413D-TR & H426D-TR (NON VAPOR)**

ITEM NO.	PART NO.	DESCRIPTION
1	13-313235	Gasket
2	1-422641	Fuel Discharge Tube (H413C, H426C Side "A", H413D, H426D Side "A")
3	1-422883	Fuel Discharge Tube (H426C Side "B" & H426D Side "B")
4	1-422642	Fuel Discharge Tube (H413C, H426C Side "A", H413D, H426D Side "A")
5	1-422883	Fuel Discharge Tube (H426C Side "B" & H426D Side "B")
6	1-422643	Fuel Discharge Tube (H413C, H426C Side "A", H413D, H426D Side "A")
7	1-422643	Fuel Discharge Tube (H426C Side "B" & H426D Side "B")
8	35-55132	5/16-18 x 5/8" Long M-F Flange Whiz Lock Screw
9		<u>For parts call out of Meter &amp; Hydraulics Assembly see 72726.</u>
10		<u>For parts call out of Chassis Assembly see 72724.</u>
11		<u>For parts call out of Outlet Adapter Assembly see 72763.</u>

Reference for Tokheim internal use only:

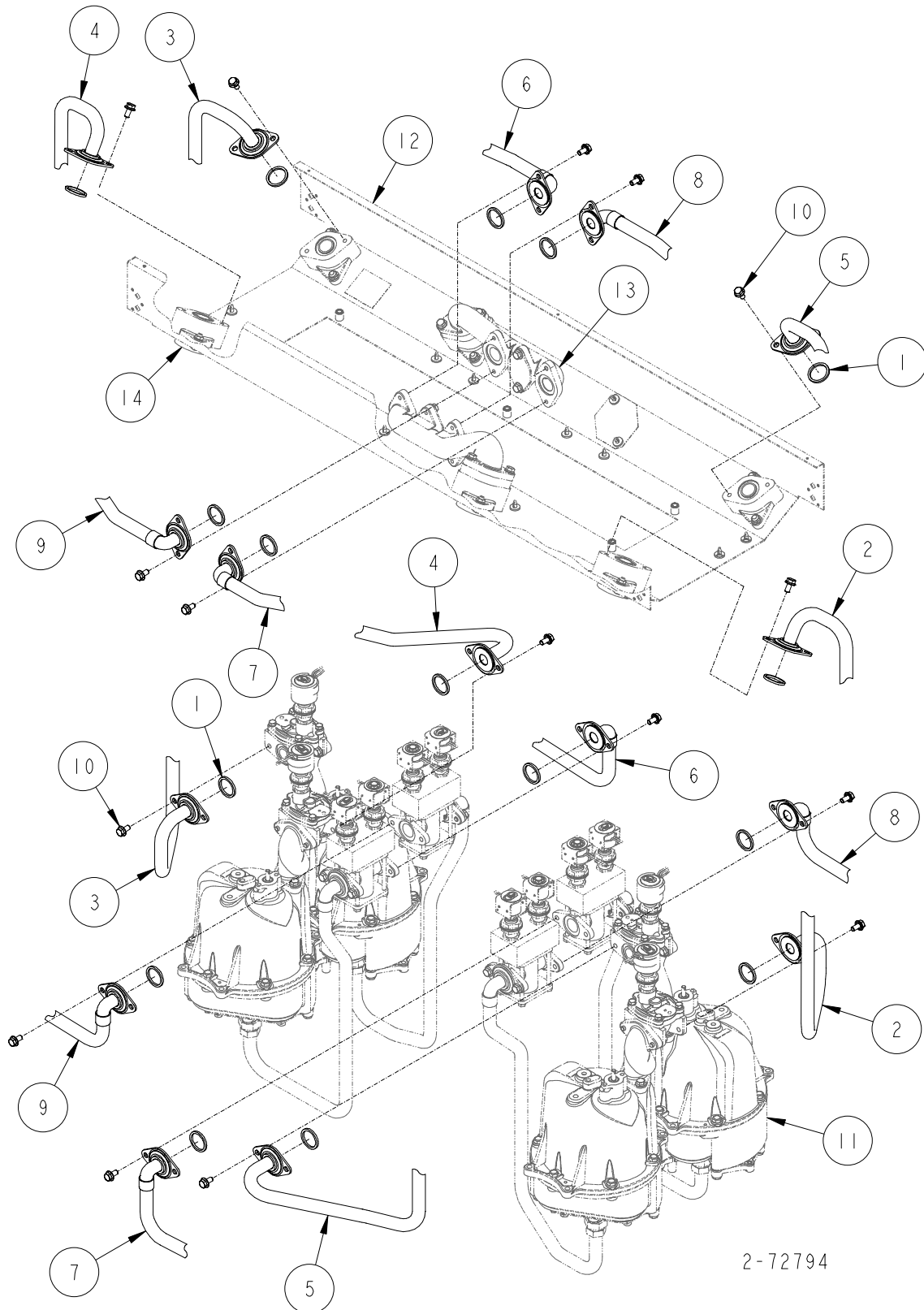
321170	Fuel Tube Hydraulic Assembly
422624	Raceway Assembly

1-72934

4  
A

# **DISCHARGE ASSEMBLY**

H413C-EB & H426C-EB (NON VAPOR)



2-72794

---

## DISCHARGE ASSEMBLY

### H413C-EB & H426C-EB (NON VAPOR)

---

ITEM NO.	PART NO.	DESCRIPTION
1	13-313235	Gasket
2	1-422641	Fuel Discharge Tube (H413C-EB & H426C-EB Side "A")
3	1-422641	Fuel Discharge Tube (H426C-EB Side "B")
4	1-422642	Fuel Discharge Tube (H413C-EB & H426C-EB Side "A")
5	1-422642	Fuel Discharge Tube (H426C-EB Side "B")
6	1-422706	Fuel Discharge Tube (H413C-EB & H426C-EB Side "A")
7	1-422706	Fuel Discharge Tube (H426C-EB Side "B")
8	1-422707	Fuel Discharge Tube (H413C-EB & H426C-EB Side "A")
9	1-422707	Fuel Discharge Tube (H426C-EB Side "B")
10	35-55132	5/16-18 x 5/8" Long M-F Flange Whiz Lock Screw
11	<u>For parts call out of Meter &amp; Hydraulics Assembly see 72726.</u>	
12	<u>For parts call out of Chassis Assembly see 72724.</u>	
13	<u>For parts call out of Outlet Adapter Assembly see 72761.</u>	
14	<u>For parts call out of Outlet Adapter Assembly see 72763.</u>	

Reference for Tokheim internal use only:

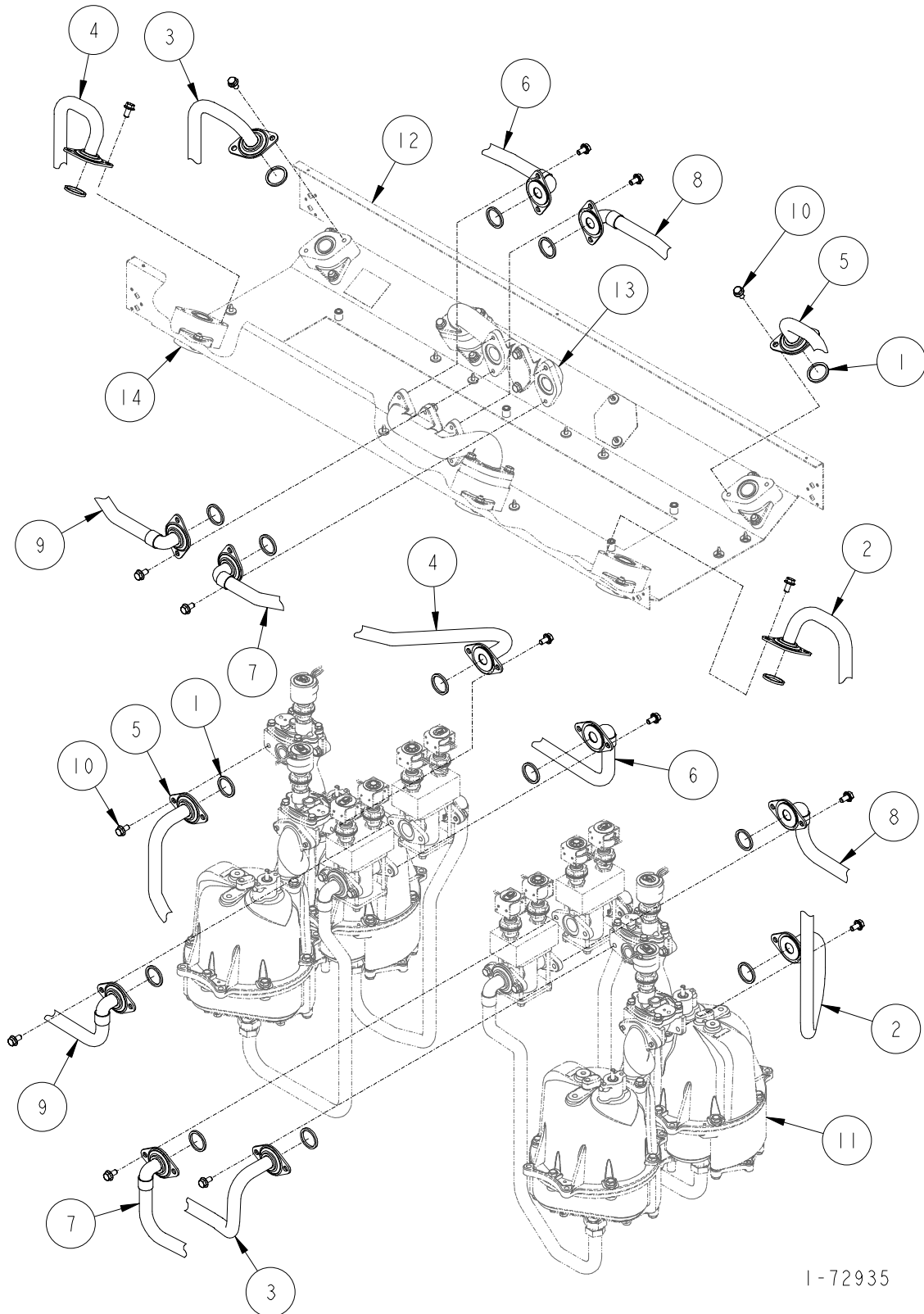
321170	Fuel Tube Hydraulic Assembly
422624	Raceway Assembly

2-72794



# **DISCHARGE ASSEMBLY**

H413C-EBTR & H426C-EBTR (NON VAPOR)



1-72935

---

**DISCHARGE ASSEMBLY**  
**H413C-EBTR & H426C-EBTR (NON VAPOR)**

---

ITEM NO.	PART NO.	DESCRIPTION
1	13-313235	Gasket
2	1-422641	Fuel Discharge Tube (H413C-EB & H426C-EB Side "A")
3	1-422883	Fuel Discharge Tube (H426C-EB Side "B")
4	1-422642	Fuel Discharge Tube (H413C-EB & H426C-EB Side "A")
5	1-422882	Fuel Discharge Tube (H426C-EB Side "B")
6	1-422706	Fuel Discharge Tube (H413C-EB & H426C-EB Side "A")
7	1-422706	Fuel Discharge Tube (H426C-EB Side "B")
8	1-422707	Fuel Discharge Tube (H413C-EB & H426C-EB Side "A")
9	1-422707	Fuel Discharge Tube (H426C-EB Side "B")
10	35-55132	5/16-18 x 5/8" Long M-F Flange Whiz Lock Screw
11	<u>For parts call out of Meter &amp; Hydraulics Assembly see 72726.</u>	
12	<u>For parts call out of Chassis Assembly see 72724.</u>	
13	<u>For parts call out of Outlet Adapter Assembly see 72761.</u>	
14	<u>For parts call out of Outlet Adapter Assembly see 72763.</u>	

Reference for Tokheim internal use only:

321170	Fuel Tube Hydraulic Assembly
422624	Raceway Assembly

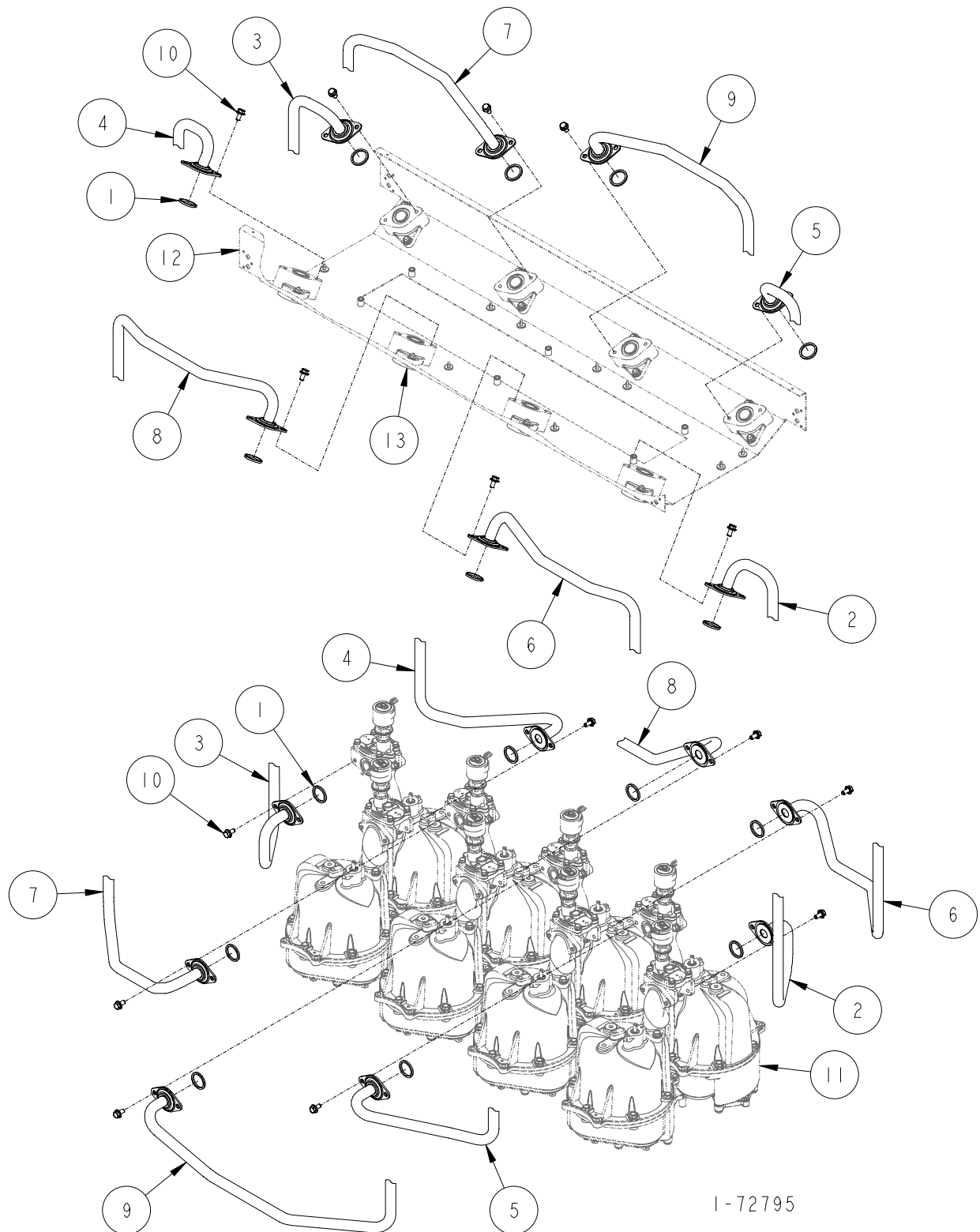
1-72935



4  
A

# **DISCHARGE ASSEMBLY**

H414C, H428C, H414D & H428D (NON VAPOR)



---

## DISCHARGE ASSEMBLY

### H414C, H428C, H414D & H428D (NON VAPOR)

---

ITEM NO.	PART NO.	DESCRIPTION
1	13-313235	Gasket
2	1-422641	Fuel Discharge Tube (H414C, H428C Side "A", H414D, H428D Side "A")
3	1-422641	Fuel Discharge Tube (H428C Side "B" & H428D Side "B")
4	1-422642	Fuel Discharge Tube (H414C, H428C Side "A", H414D, H428D Side "A")
5	1-422642	Fuel Discharge Tube (H428C Side "B" & H428D Side "B")
6	1-422694	Fuel Discharge Tube (H414C, H428C Side "A", H414D, H428D Side "A")
7	1-422694	Fuel Discharge Tube (H428C Side "B" & H428D Side "B")
8	1-422695	Fuel Discharge Tube (H414C, H428C Side "A", H414D, H428D Side "A")
9	1-422695	Fuel Discharge Tube (H428C Side "B" & H428D Side "B")
10	35-55132	5/16-18 x 5/8" Long M-F Flange Whiz Lock Screw
11	<u>For parts call out of Meter &amp; Hydraulics Assembly see 72726.</u>	
12	<u>For parts call out of Chassis Assembly see 72724.</u>	
13	<u>For parts call out of Outlet Adapter Assembly see 72763.</u>	

Reference for Tokheim internal use only:

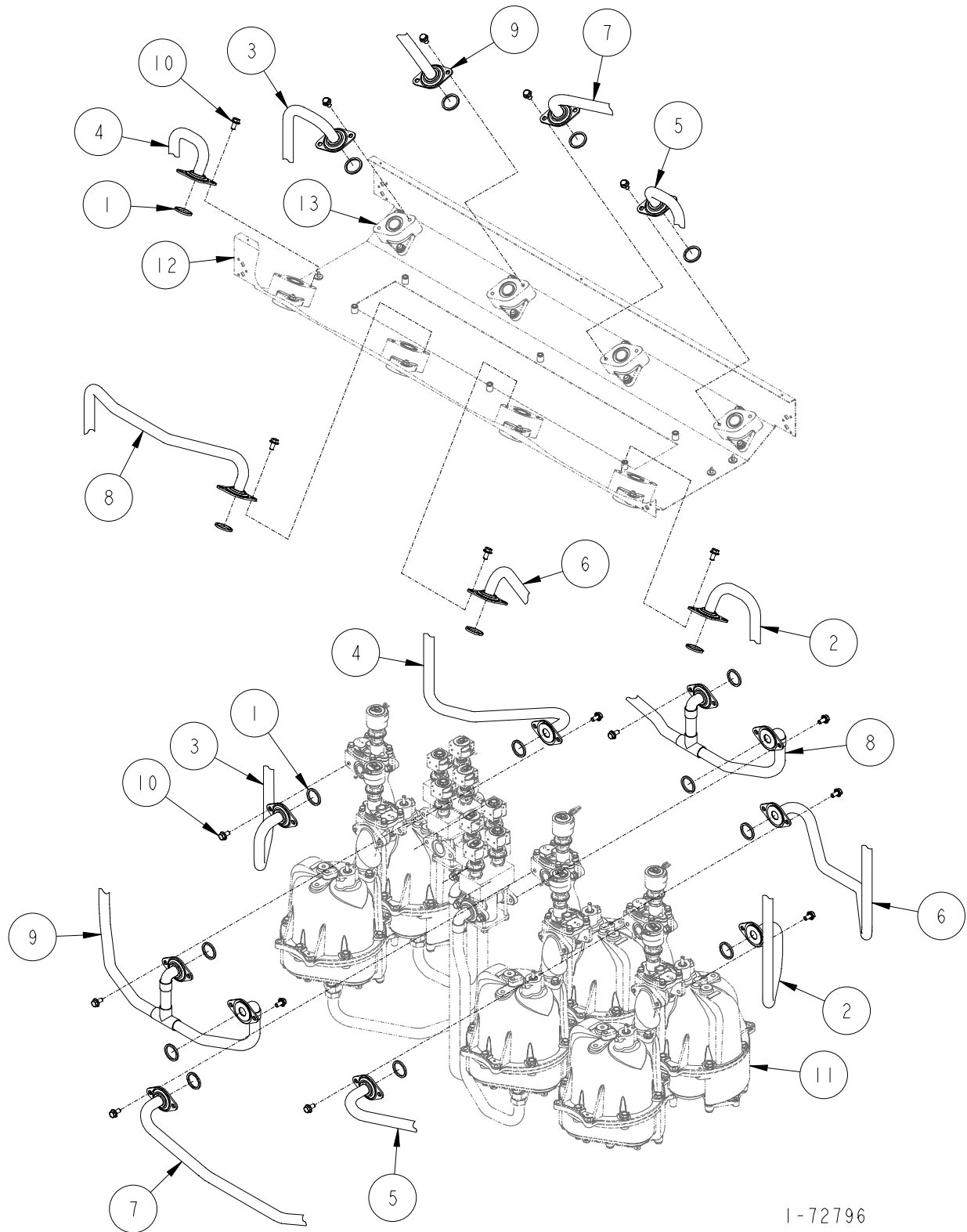
321170	Fuel Tube Hydraulic Assembly
422624	Raceway Assembly

1-72795



# **DISCHARGE ASSEMBLY**

H414C-EB & H428C-EB (NON VAPOR)



I-72796

---

## DISCHARGE ASSEMBLY

### H414C-EB & H428C-EB (NON VAPOR)

---

ITEM NO.	PART NO.	DESCRIPTION
1	13-313235	Gasket
2	1-422641	Fuel Discharge Tube (H428C-EB Side "A")
3	1-422641	Fuel Discharge Tube (H428C-EB Side "B")
4	1-422642	Fuel Discharge Tube (H428C-EB Side "A")
5	1-422642	Fuel Discharge Tube (H428C-EB Side "B")
6	1-422694	Fuel Discharge Tube (H428C-EB Side "A")
7	1-422720	Fuel Discharge Tube (H428C-EB Side "B")
8	1-422721	Fuel Discharge Tube (H428C-EB Side "A")
9	1-422722	Fuel Discharge Tube
10	35-55132	5/16-18 x 5/8" Long M-F Flange Whiz Lock Screw
11	<u>For parts call out of Meter &amp; Hydraulics Assembly see 72730.</u>	
12	<u>For parts call out of Chassis Assembly see 72724.</u>	
13	<u>For parts call out of Outlet Adapter Assembly see 72763.</u>	

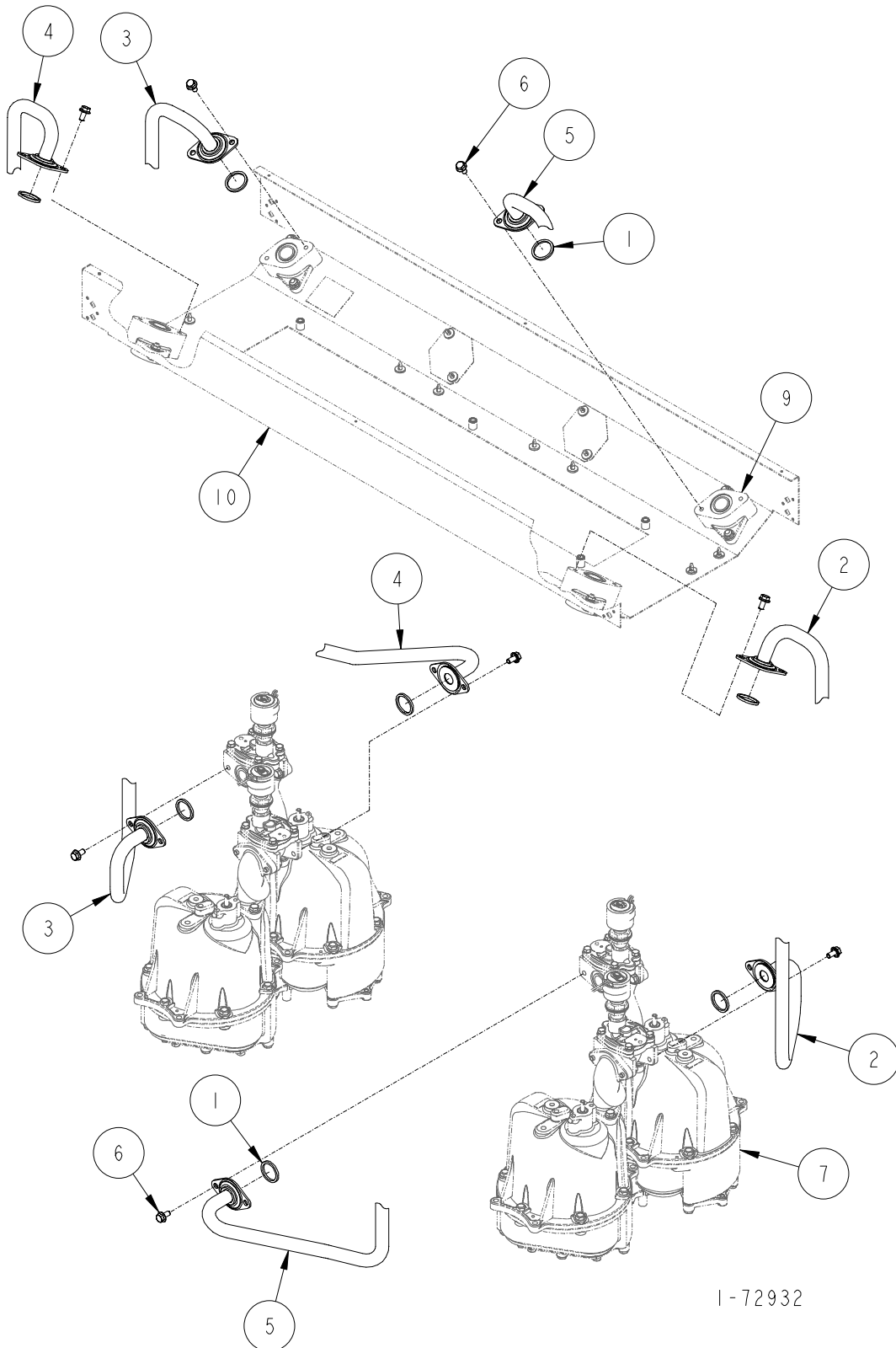
Reference for Tokheim internal use only:

321170	Fuel Tube Hydraulic Assembly
422624	Raceway Assembly

1-72796

# **DISCHARGE ASSEMBLY**

H724C (NON VAPOR)



1-72932

---

## DISCHARGE ASSEMBLY

### H724C (NON VAPOR)

---

ITEM NO.	PART NO.	DESCRIPTION
1	13-313235	Gasket
2	1-422641	Fuel Discharge Tube (H724C Side "A")
3	1-422641	Fuel Discharge Tube (H724C Side "B")
4	1-422642	Fuel Discharge Tube (H724C Side "A")
5	1-422642	Fuel Discharge Tube (H724C Side "B")
6	35-55132	5/16-18 x 5/8" Long M-F Flange Whiz Lock Screw
7	<u>For parts call out of Meter &amp; Hydraulics Assembly see 72726.</u>	
8	<u>For parts call out of Chassis Assembly see 72724.</u>	
9	<u>For parts call out of Outlet Adapter Assembly see 72763.</u>	
 <u>Reference for Tokheim internal use only:</u>		
	321170	Fuel Tube Hydraulic Assembly
	422624	Raceway Assembly

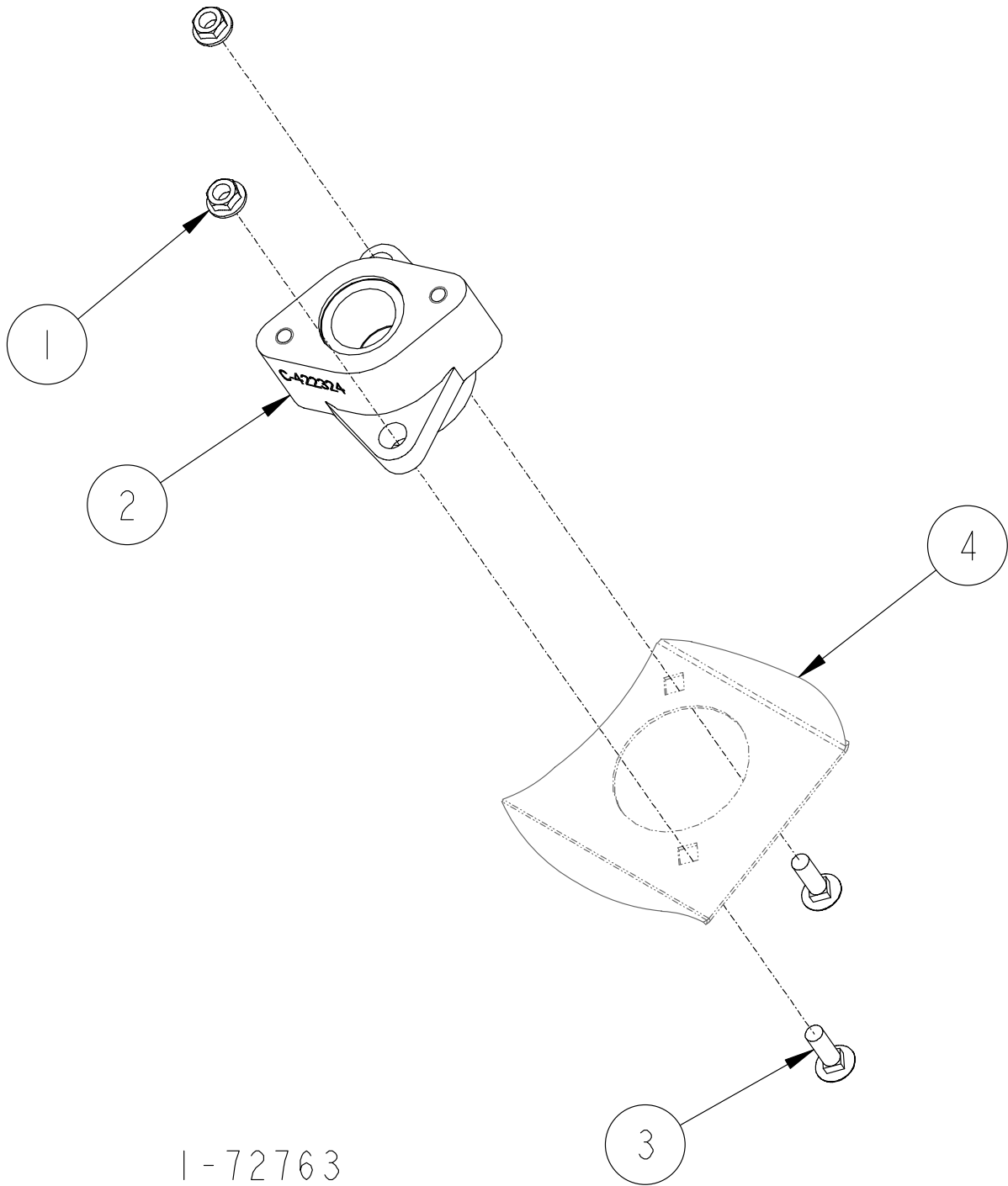


1-72932

---

# **OUTLET ADAPTER ASSEMBLY**

NON VAPOR



1-72763

---

## OUTLET ADAPTER ASSEMBLY (NON VAPOR)

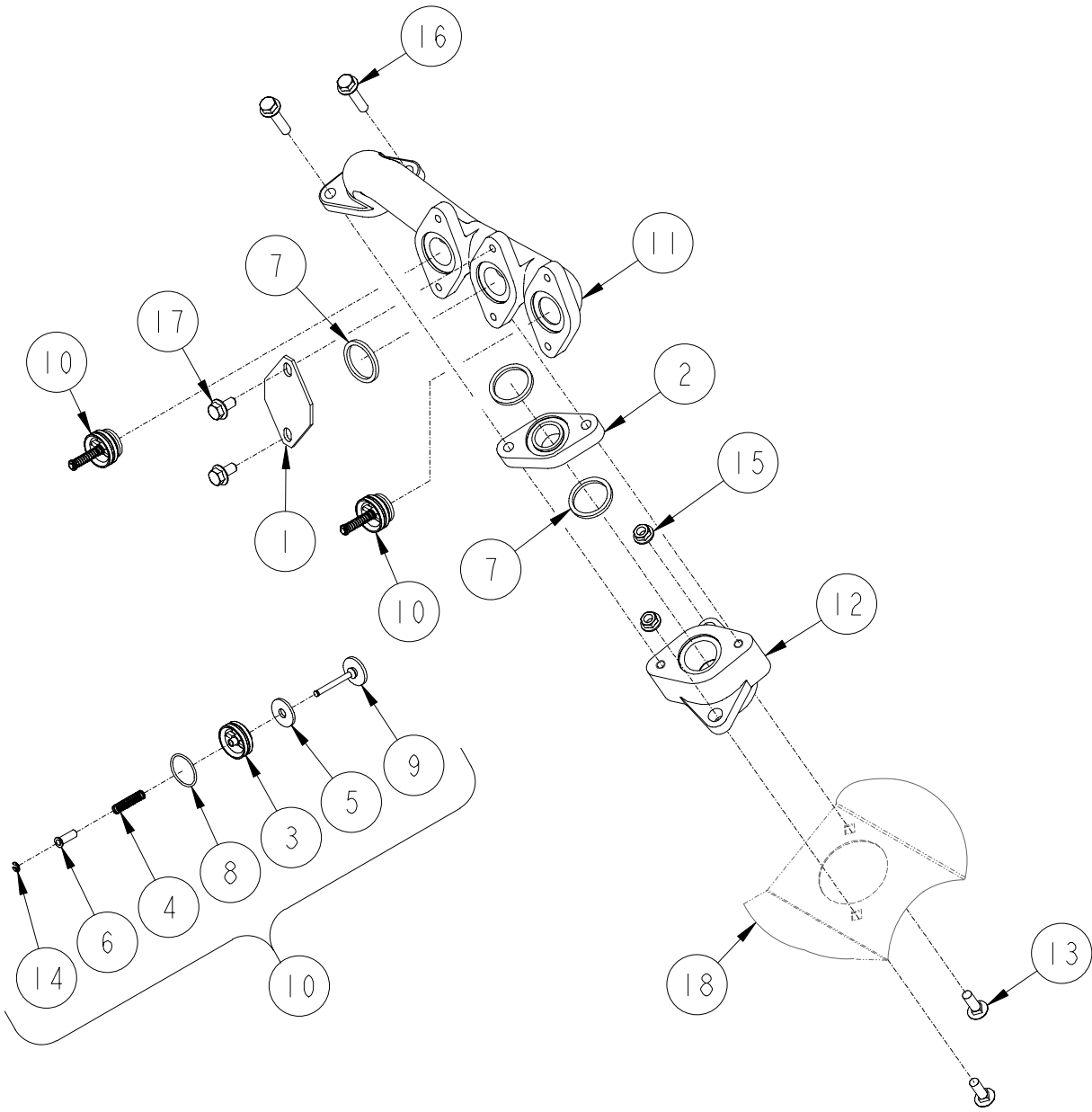
---

ITEM NO.	PART NO.	DESCRIPTION
1	02-54752	5/16-18 M-F Flange Whiz Lock Nut
2	<u>Outlet Adapter</u>	
	1-422324	3/4"
	2-422324	1" (High Volume only)
3	39-52198	5/16-18 x 1" Long Carriage Bolt
4	<u>For parts call out of Chassis Assembly see:</u>	
	72779	H300C & H300D Series
	72724	H400C & H400D Series
	<u>Reference for Tokheim internal use only:</u>	
	422624	Raceway Assembly (H400C & H400D Series)
	422740	Raceway Assembly (H300C & H300D Series)



1-72763

# OUTLET ADAPTER ASSEMBLY (NON-VAPOR)



2-72761

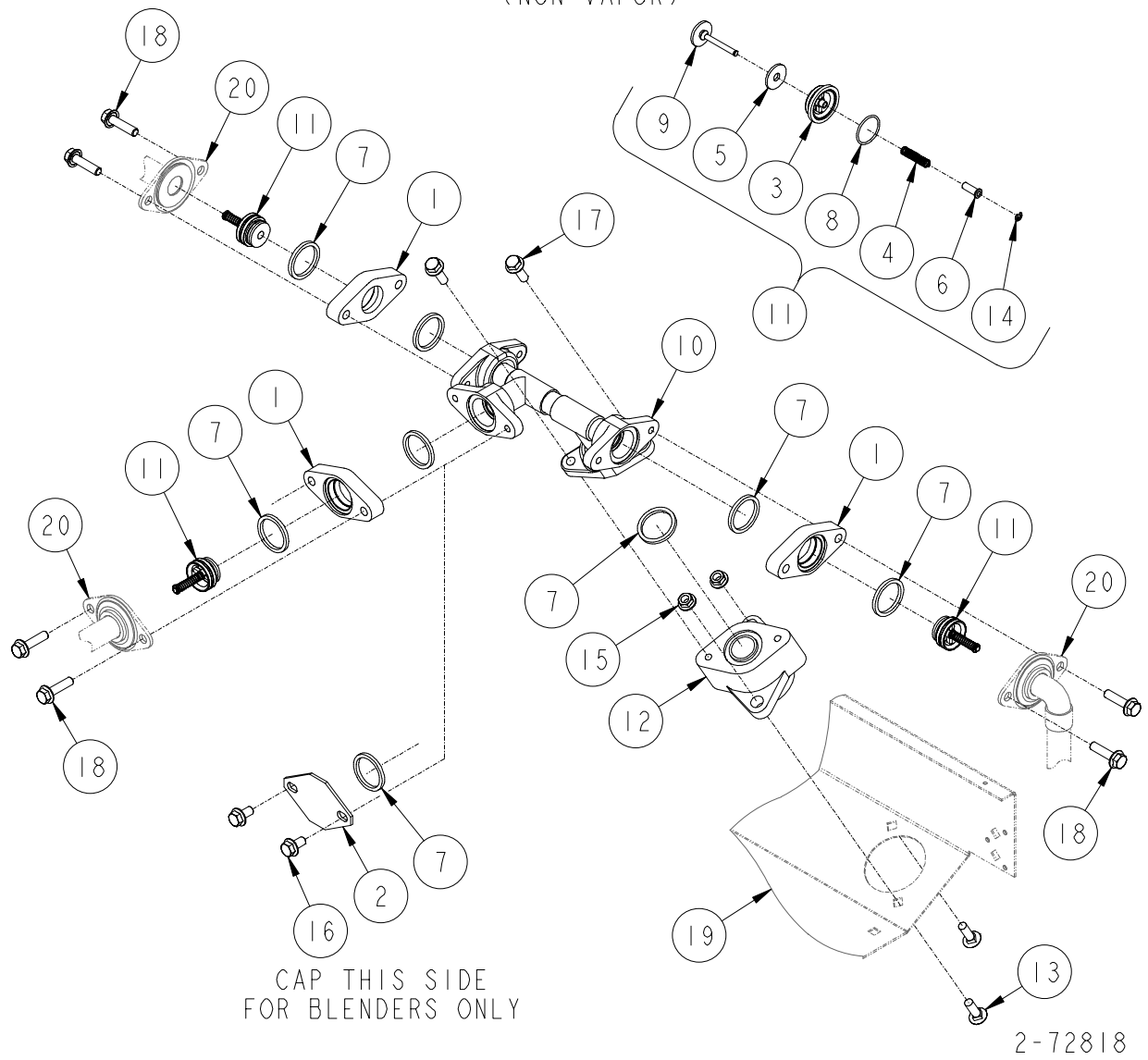
## OUTLET ADAPTER ASSEMBLY

### (Non-Vapor)

ITEM NO.	PART NO.	DESCRIPTION	ITEM NO.	PART NO.	DESCRIPTION
1	<u>Vapor</u> 1-132494	Flange	13	39-52198	5/16-18 x 1" Long Carriage Bolt
	1-228345	Cap	14	05-52482	Truarc Retaining Ring
2	4-227299	Flange (Used with old Outlet Manifold 1-421962 only)	15	02-54752	5/16-18 M-F Flange Whiz Lock Nut
3	<u>Check Valve Seat</u> 1-233801	All models except Canada	16	35-55132	5/16-18 x 5/8" Long M-F Flange Whiz Lock Screw
	2-233801	Canada	17	41-55132	M-F Flange Whiz Lock Screw
4	1-233802	Spring	18	<u>For parts call out of Chassis Assembly see:</u>	
5	1-233805	Poppet Seal	72779	H300C Series	
6	1-233807	Stem Sleeve	72724	H400C Series	
7	13-313235	Gasket	<u>Reference for Tokheim internal use only:</u>		
8	18-318940	O Ring	422624	Raceway Assembly (H400C & H400D Series)	
9	<u>Poppet Assembly</u> 1-321451	All models except Canada	422740	Raceway Assembly (H300C & H300D Series)	
	2-321451	Canada			
10	<u>Check Valve Assembly</u> 321452-1	All models except Canada			2-72761
	321452-2	Canada			
11	<u>Outlet Manifold</u> 1-421962	Old Design (No longer used)			
	1-423000	New Design			
12	1-422324	Outlet Adapter			

4  
A

### OUTLET ADAPTER ASSEMBLY (NON-VAPOR)



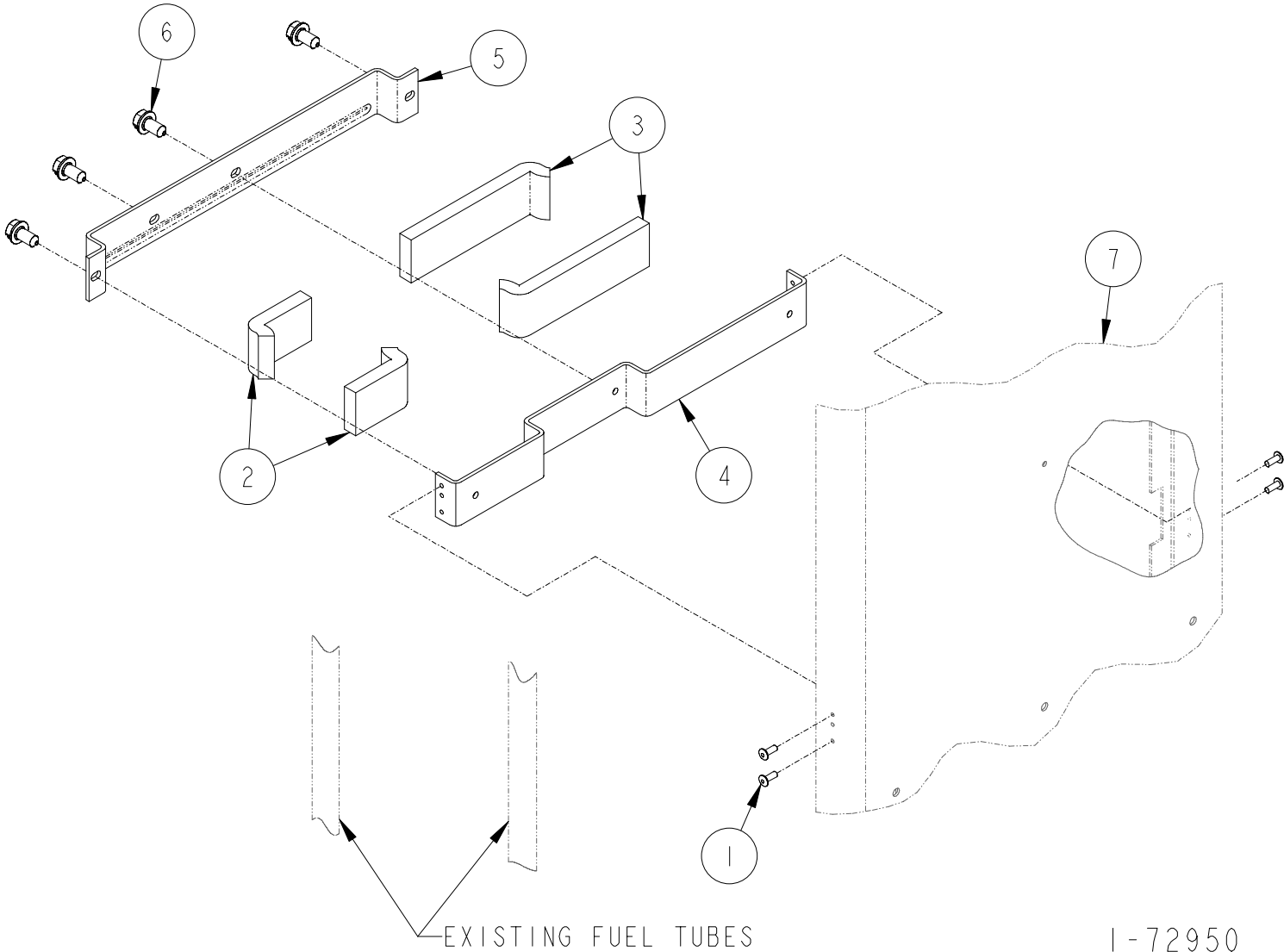
## OUTLET ADAPTER ASSEMBLY

### (Non-Vapor)

ITEM NO.	PART NO.	DESCRIPTION	ITEM NO.	PART NO.	DESCRIPTION
1	5-227299	Flange	17	38-55132	5/16-18 x 1" Long M-F Flange Whiz Lock Screw
2	1-228345	Manifold Cap	18	40-55132	5/16-18 x 1-1/4" Long M-F Flange Whiz Lock Screw
3	<u>Check Valve Seat</u>		19	<u>For parts call out of Chassis Assembly see:</u>	
	1-233801	All models except Canada		72779	H300C & H300D Series
	2-233801	Canada		72724	H400C & H400D Series
4	1-233802	Spring	20	<u>For parts call out of Discharge Assembly see:</u>	
5	1-233805	Poppet Seal		72792	H412C/D & H422C/D
6	1-233807	Stem Sleeve		72793	H412C-B3/4 & H424C-B3/4
7	13-313235	Gasket		72929	H412C-B3/4TR & H424C-B3/4TR
8	18-318940	O Ring		72930	H412C/D-TR & H424C/D-TR
9	<u>Poppet Assembly</u>			72931	H411C-B3/5MR & H422C-B3/5MR
	1-321451	All models except Canada		<u>Reference for Tokheim internal use only:</u>	
	2-321451	Canada		422624	Raceway Assembly (H400C & H400D Series)
10	1-321491	Manifold Assembly		422740	Raceway Assembly (H300C & H300D Series)
11	<u>Check Valve Assembly</u>				
	321452-1	All models except Canada			
	321452-2	Canada			
12	1-422324	Outlet Adapter			
13	39-52198	5/16-18 x 1" Long Carriage Bolt			
14	05-52482	Truarc Retaining Ring			
15	02-54752	5/16-18 M-F Flange Whiz Lock Nut			
16	35-55132	5/16-18 x 5/8" Long M-F Flange Whiz Lock Screw			2-72818

4  
A

# FUEL TUBE CLAMP ASSEMBLY



## FUEL TUBE CLAMP ASSEMBLY

ITEM NO.	PART NO.	DESCRIPTION
1	2-128281	Rivet
2	15-317638	Cushion
3	49-317638	Cushion
4	1-321415	Tube Bracket
5	1-321416	Tube Holder
6	69-55392	1/4 x 1/2" Long Hex Washer Head Tapping Screw

7 For parts call out of Chassis Assembly see:

72779          45"

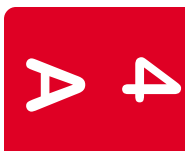
72724          30"

Reference for Tokheim internal use only:

321170          45"

321212          30"

1-72950





# SECTION

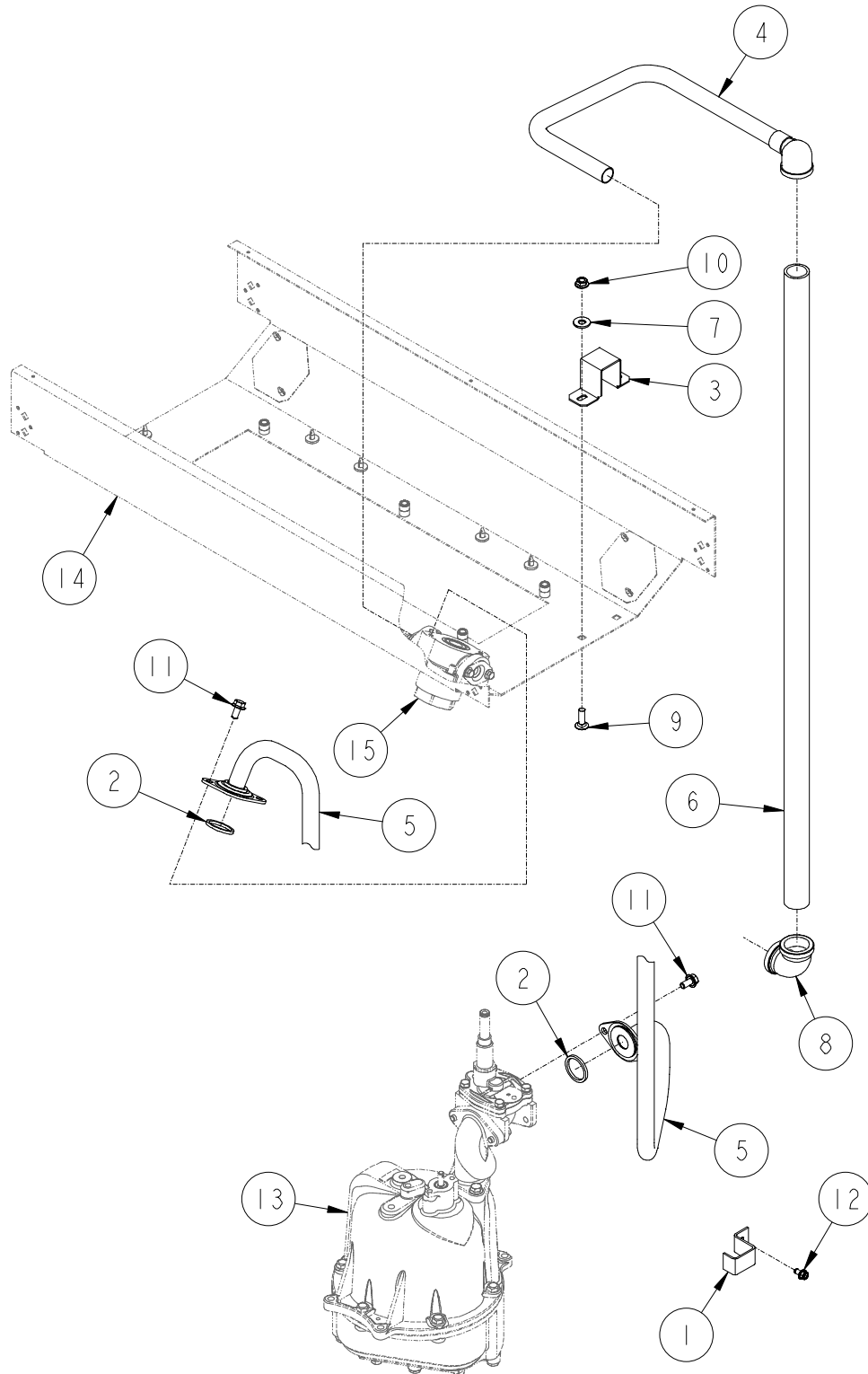
# 4B

## 898 Discharge Hydraulics IV & Full Vapor (Balance)

	Page Number		Page Number
<u>Discharge Assembly</u>		<u>Discharge Assembly (Continued)</u>	
H311C, H311D .....	4B-2, 4B-3	H426C, H426D .....	4B-56, 4B-57
This page reserved for future use .....	4B-4, 4B-5	H426C-EB .....	4B-58, 4B-59
H312C, H312D .....	4B-6, 4B-7	H428C, H428D .....	4B-60, 4B-61
H322C, H322D .....	4B-8, 4B-9	H428C-EB .....	4B-62, 4B-63
H322C-B3/5 .....	4B-10, 4B-11	Suction Vapor Assembly .....	4B-64, 4B-65
H324C, H324D .....	4B-12, 4B-13	<u>Outlet Adapter Assembly</u>	
These pages reserved for future use .....	4B-14—4B-25	H311C, H312C, H322C, H324C, H413C, H424C, H424C-B3/4, H424C-B3/4+DIESEL, H426C, H426C-EB, H428C, H428C-EB, H311D, H312D, H322D, H324D, H413D, H424D, H426D, H428D .....	4B-66, 4B-67
H413C, H413D .....	4B-26, 4B-27	H322C-B3/5, H422C, H422C-B3/5, H424C, H424C-B3/4, H424C-B3/4+DIESEL, H426C-EB .....	4B-68, 4B-69
H413C-EB .....	4B-28, 4B-29	H424C-IV, H424C-B3/4-IV, H424C-B3/4-TLIN/FN, H424C-B3/4-TRIN/FN H424D-IV .....	4B-70, 4B-71
H414C, H414D .....	4B-30, 4B-31	Non Vapor .....	4B-72, 4B-73
This page reserved for future use .....	4B-32, 4B-33	Fuel Tube Clamp Assembly .....	4B-74, 4B-75
H422C, H422D .....	4B-34, 4B-35		
H422C-B3/5 .....	4B-36, 4B-37		
H422C-B3/5MR .....	4B-38, 4B-39		
H424C, H424D .....	4B-40, 4B-41		
H424C-IN/FN & H424D-IN/FN .....	4B-42, 4B-43		
H424C-TLIN/FN & H424D-TLIN/FN .....	4B-44, 4B-45		
H424C-TRIN/FN & H424D-TRIN/FN .....	4B-46, 4B-47		
H424C-B3/4-IN/FN .....	4B-48, 4B-49		
H424C-B3/4TL-IN/FN .....	4B-50, 4B-51		
H424C-B3/4TR-IN/FN .....	4B-52, 4B-53		
H424C-B3/4+ Diesel .....	4B-54, 4B-55		

# **DISCHARGE ASSEMBLY**

H311C-IV & Full (Balance) & H311D-IV & Full (Balance)



1-72739

---

**DISCHARGE ASSEMBLY**  
**H311C-IV & Full (Balance) & H311D-IV & Full (Balance)**

---

ITEM NO.	PART NO.	DESCRIPTION
1	1-231856	Discharge Tube Bracket
2	13-313235	Gasket
3	1-321154	Down Pipe Bracket
4	5-422734	Vapor Outlet Tube
5	1-422641	Fuel Discharge Tube
6	335-50510	1-1/2" x 81-1/2" Long Pipe
7	03-50611	5/16 Plate Washer
8	06-51700	1" x 90° Elbow - Banded
9	39-52198	5/16-18 x 1" Long Carriage Bolt
10	02-54752	5/16-18 M-F Flange Whiz Lock Nut
11	35-55132	5/16-18 x 5/8" Long M-F Flange Whiz Lock Screw
12	69-55392	1/4 x 1/2" Long Hex Washer Head Tapping Screw
13		<u>For parts call out of Meter &amp; Hydraulics Assembly see 72726.</u>
14		<u>For parts call out of Chassis Assembly see 72779.</u>
15		<u>For parts call out of Outlet Adapter Assembly see 72752.</u>

Reference for Tokheim internal use only:

321212	Fuel Tube Hydraulic Assembly
422740	Raceway Assembly

1-72739



4  
B

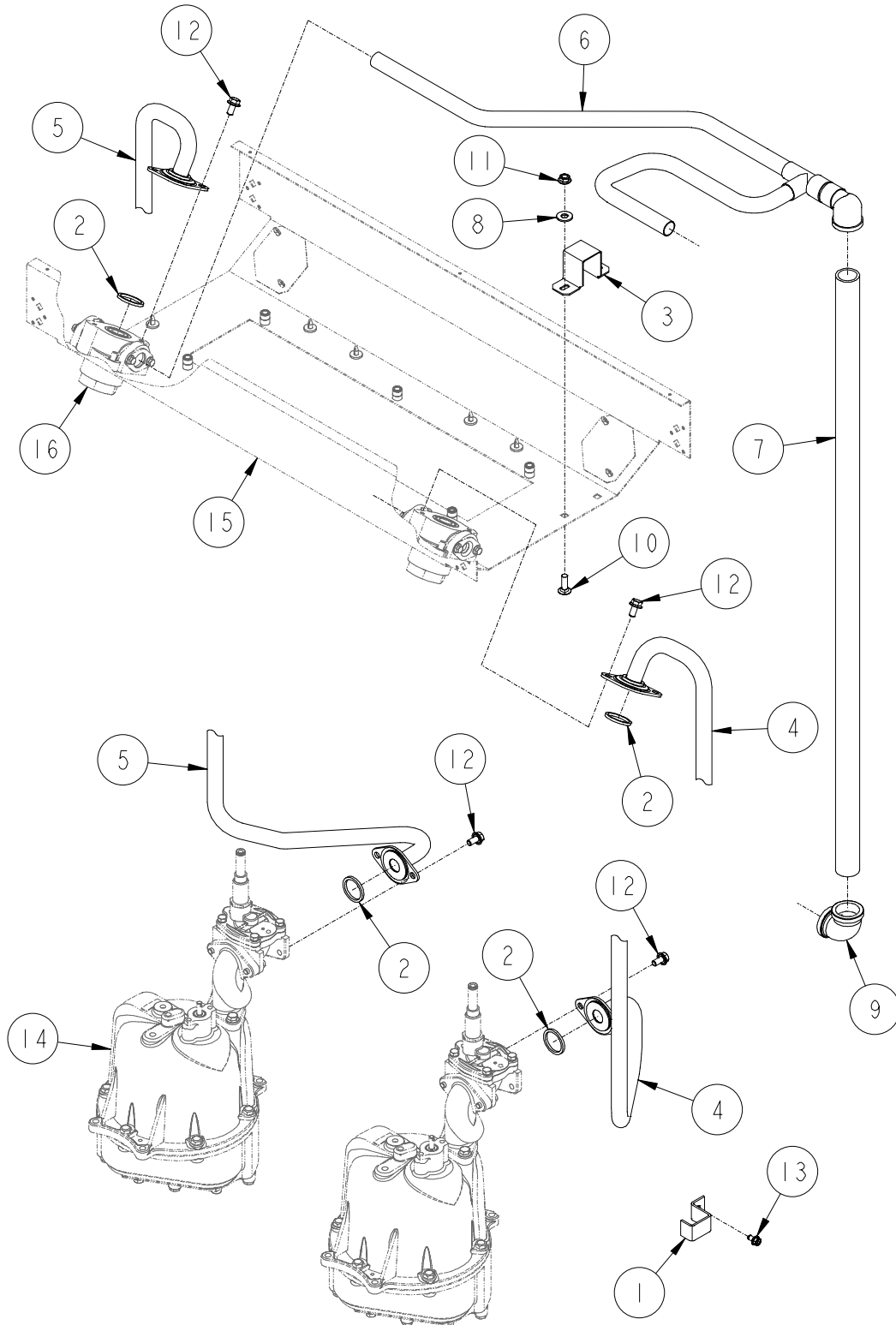
This page reserved for future use.

This page reserved for future use.

4  
B

# DISCHARGE ASSEMBLY

H312C-IV & Full (Balance) & H312D-IV & Full (Balance)



1-72741

---

**DISCHARGE ASSEMBLY**  
**H312C-IV & Full (Balance) & H312D-IV & Full (Balance)**

---

ITEM NO.	PART NO.	DESCRIPTION
1	1-231856	Discharge Tube Bracket
2	13-313235	Gasket
3	1-321154	Down Pipe Bracket
4	1-422641	Fuel Discharge Tube
5	1-422642	Fuel Discharge Tube
6	4-422734	Vapor Outlet Tube
7	335-50510	1-1/2" x 81-1/2" Long Pipe
8	03-50611	5/16 Plate Washer
9	06-51700	1" x 90° Elbow - Banded
10	39-52198	5/16-18 x 1" Long Carriage Bolt
11	02-54752	5/16-18 M-F Flange Whiz Lock Nut
12	35-55132	5/16-18 x 5/8" Long M-F Flange Whiz Lock Screw
13	69-55392	1/4 x 1/2" Long Hex Washer Head Tapping Screw
14	<u>For parts call out of Meter &amp; Hydraulics Assembly see 72726.</u>	
15	<u>For parts call out of Chassis Assembly see 72779.</u>	
16	<u>For parts call out of Outlet Adapter Assembly see 72752.</u>	

Reference for Tokheim internal use only:

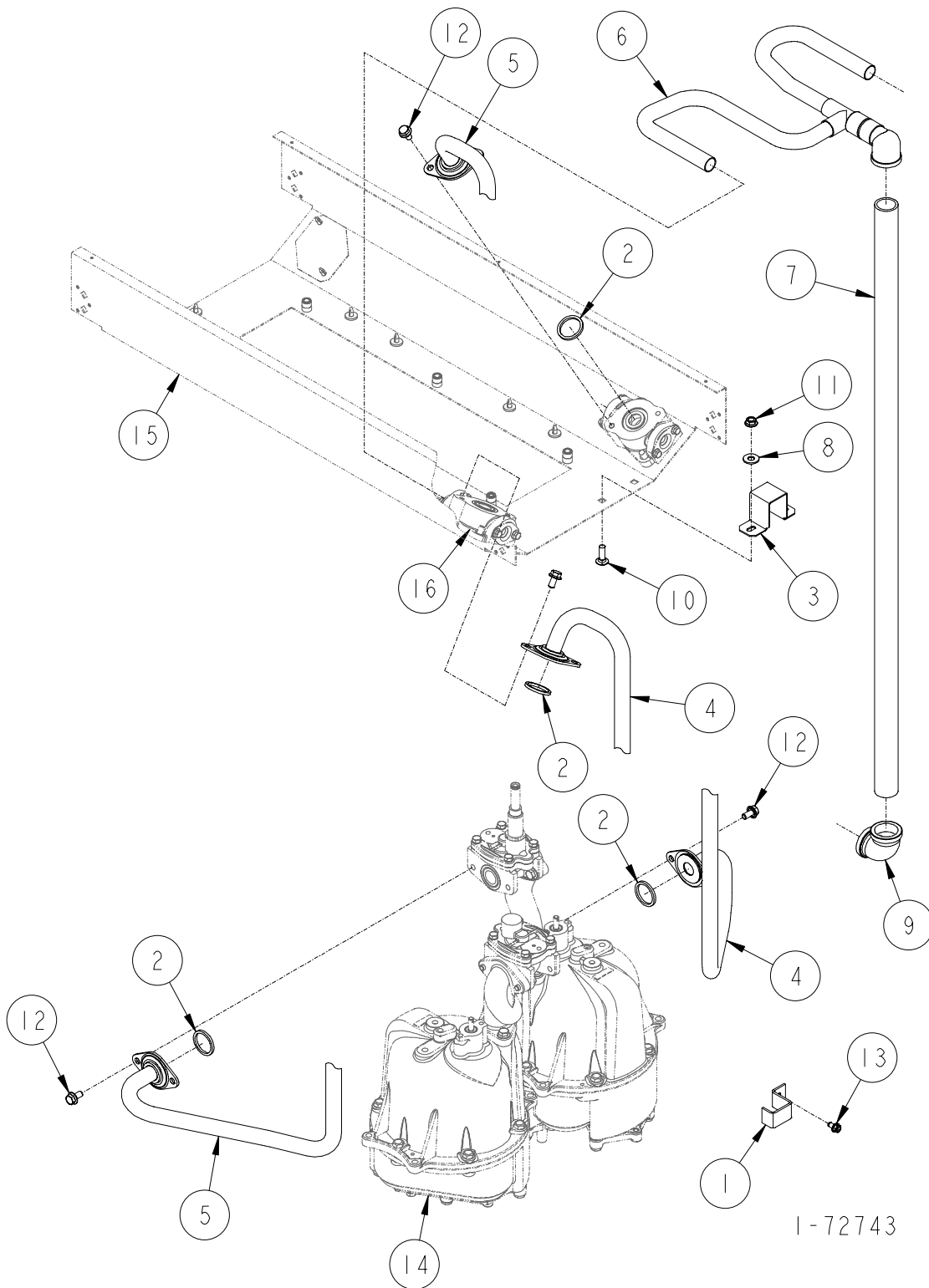
321212 Fuel Tube Hydraulic Assembly  
422740 Raceway Assembly

1-72741

4  
B

# **DISCHARGE ASSEMBLY**

H322C-IV & Full (Balance) & H322D-IV & Full (Balance)



**DISCHARGE ASSEMBLY****H322C-IV & Full (Balance) & H322D-IV & Full (Balance)**

ITEM NO.	PART NO.	DESCRIPTION
1	1-231856	Discharge Tube Bracket
2	13-313235	Gasket
3	1-321154	Down Pipe Bracket
4	1-422641	Fuel Discharge Tube
5	1-422642	Fuel Discharge Tube
6	4-422734	Vapor Outlet Tube
7	335-50510	1-1/2" x 81-1/2" Long Pipe
8	03-50611	5/16 Plate Washer
9	06-51700	1" x 90° Elbow - Banded
10	39-52198	5/16-18 x 1" Long Carriage Bolt
11	02-54752	5/16-18 M-F Flange Whiz Lock Nut
12	35-55132	5/16-18 x 5/8" Long M-F Flange Whiz Lock Screw
13	69-55392	1/4 x 1/2" Long Hex Washer Head Tapping Screw
14	<u>For parts call out of Meter &amp; Hydraulics Assembly see 72726.</u>	
15	<u>For parts call out of Chassis Assembly see 72779.</u>	
16	<u>For parts call out of Outlet Adapter Assembly see 72752.</u>	

Reference for Tokheim internal use only:

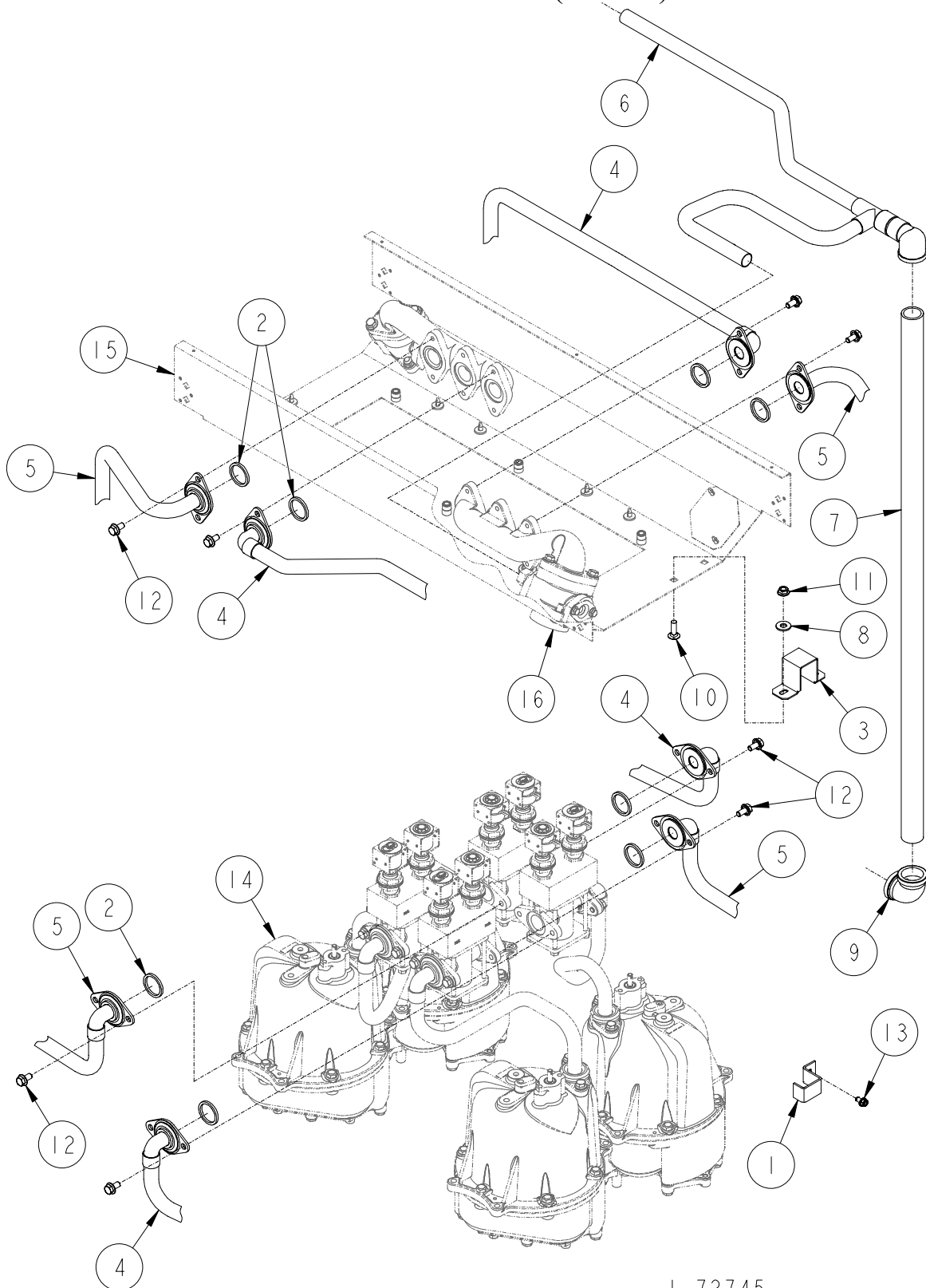
321212	Fuel Tube Hydraulic Assembly
422740	Raceway Assembly

1-72743

4  
B

# **DISCHARGE ASSEMBLY**

H322C-B3/5-IV & Full (Balance)



1-72745

## DISCHARGE ASSEMBLY

### H322C-B3/5-IV & Full (Balance)

ITEM NO.	PART NO.	DESCRIPTION
1	1-231856	Discharge Tube Bracket
2	13-313235	Gasket
3	1-321154	Down Pipe Bracket
4	1-422696	Fuel Discharge Tube
5	1-422711	Fuel Discharge Tube
6	4-422734	Vapor Outlet Tube
7	335-50510	1-1/2" x 81-1/2" Long Pipe
8	03-50611	5/16" Plate Washer
9	06-51700	1" x 90° Elbow - Banded
10	39-52198	5/16-18 x 1" Long Carriage Bolt
11	02-54752	5/16-18 M-F Flange Whiz Lock Nut
12	35-55132	5/16-18 x 5/8" Long M-F Flange Whiz Lock Screw
13	69-55392	1/4 x 1/2" Long Hex Washer Head Tapping Screw
14	<u>For parts call out of Meter &amp; Hydraulics Assembly see 72726.</u>	
15	<u>For parts call out of Chassis Assembly see 72779.</u>	
16	<u>For parts call out of Outlet Adapter Assembly see 72752.</u>	

Reference for Tokheim internal use only:

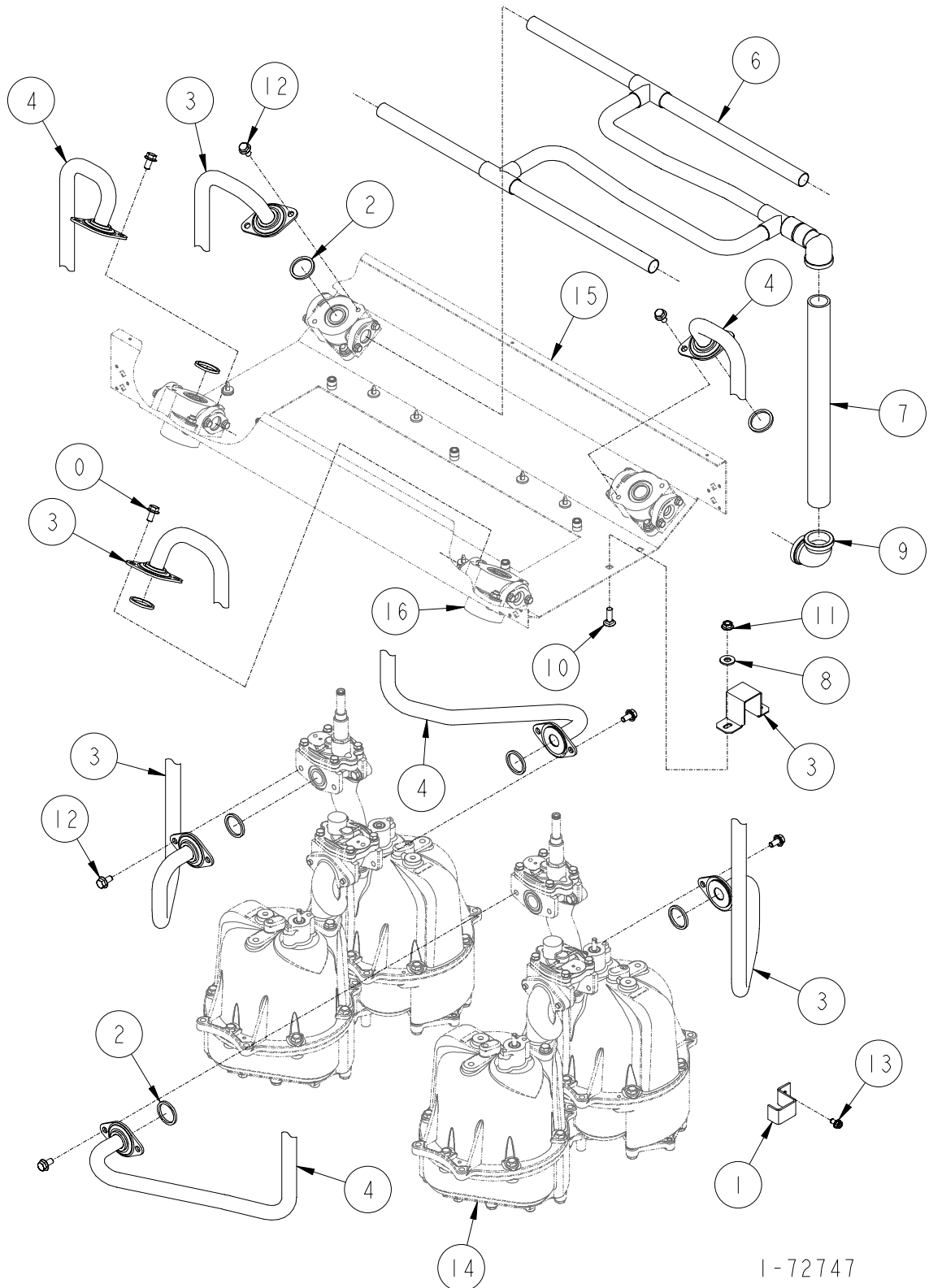
321212	Fuel Tube Hydraulic Assembly
422740	Raceway Assembly

1-72745



# **DISCHARGE ASSEMBLY**

H324C-IV & Full (Balance) & H324D-IV & Full (Balance)



1-72747

## DISCHARGE ASSEMBLY

### H324C-IV & Full (Balance) & H324D-IV & Full (Balance)

ITEM NO.	PART NO.	DESCRIPTION
1	1-231856	Discharge Tube Bracket
2	13-313235	Gasket
3	1-321154	Down Pipe Bracket
4	1-422641	Fuel Discharge Tube
5	1-422642	Fuel Discharge Tube
6	4-422734	Vapor Outlet Tube
7	335-50510	1-1/2" x 81-1/2" Long Pipe
8	03-50611	5/16 Plate Washer
9	06-51700	1" x 90° Elbow - Banded
10	39-52198	5/16-18 x 1" Long Carriage Bolt
11	02-54752	5/16-18 M-F Flange Whiz Lock Nut
12	35-55132	5/16-18 x 5/8" Long M-F Flange Whiz Lock Screw
13	69-55392	1/4 x 1/2" Long Hex Washer Head Tapping Screw
14	<u>For parts call out of Meter &amp; Hydraulics Assembly see 72726.</u>	
15	<u>For parts call out of Chassis Assembly see 72779.</u>	
16	<u>For parts call out of Outlet Adapter Assembly see 72752.</u>	

Reference for Tokheim internal use only:

321212	Fuel Tube Hydraulic Assembly
422740	Raceway Assembly

1-72747



This page reserved for future use.

This page reserved for future use.

4  
B

This page reserved for future use.

This page reserved for future use.

4  
B

This page reserved for future use.

This page reserved for future use.

4  
B

This page reserved for future use.

This page reserved for future use.

4  
B

This page reserved for future use.

This page reserved for future use.

4  
B

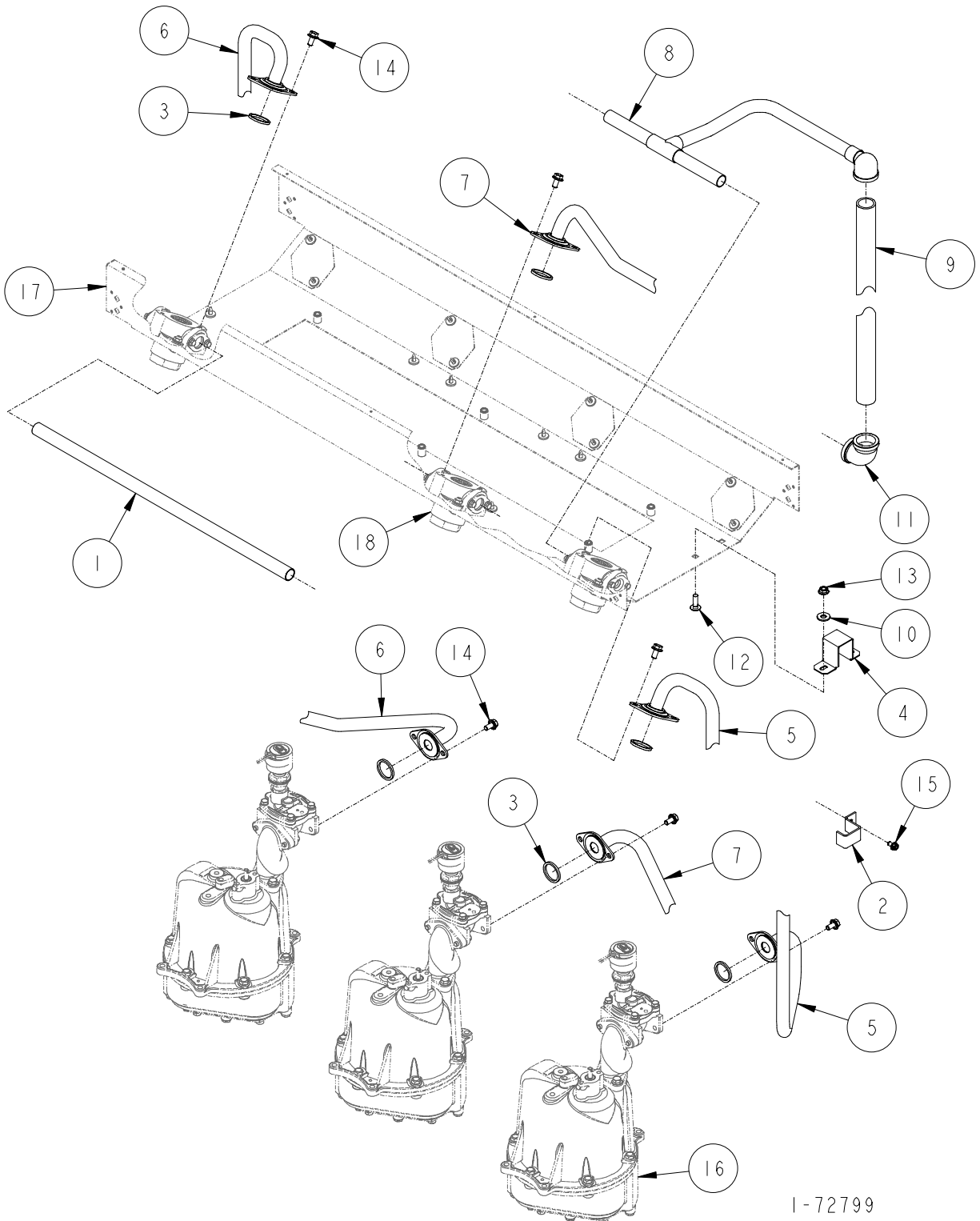
This page reserved for future use.

This page reserved for future use.

4  
B

# **DISCHARGE ASSEMBLY**

H413C-IV & Full (Balance) & H413D-IV & Full (Balance)



1-72799

---

**DISCHARGE ASSEMBLY**  
**H413C-IV & Full (Balance) & H413D-IV & Full (Balance)**

---

ITEM NO.	PART NO.	DESCRIPTION
1	94-230486	Copper Tube Nipple
2	1-231856	Discharge Tube Bracket
3	13-313235	Gasket
4	1-321154	Down Pipe Bracket
5	1-422641	Fuel Discharge Tube
6	1-422642	Fuel Discharge Tube
7	1-422643	Fuel Discharge Tube
8	5-422689	Vapor Outlet Tube
9	335-50510	1-1/2" x 81-1/2" Long Pipe
10	03-50611	5/16 Plate Washer
11	06-51700	1" x 90° Elbow - Banded
12	39-52198	5/16-18 x 1" Long Carriage Bolt
13	02-54752	5/16-18 M-F Flange Whiz Lock Nut
14	35-55132	5/16-18 x 5/8" Long M-F Flange Whiz Lock Screw
15	69-55392	1/4 x 1/2" Long Hex Washer Head Tapping Screw
16	<u>For parts call out of Meter &amp; Hydraulics Assembly see 72726.</u>	
17	<u>For parts call out of Chassis Assembly see 72724.</u>	
18	<u>For parts call out of Outlet Adapter Assembly see 72752.</u>	

Reference for Tokheim internal use only:

321170	Fuel Tube Hydraulic Assembly
422624	Raceway Assembly

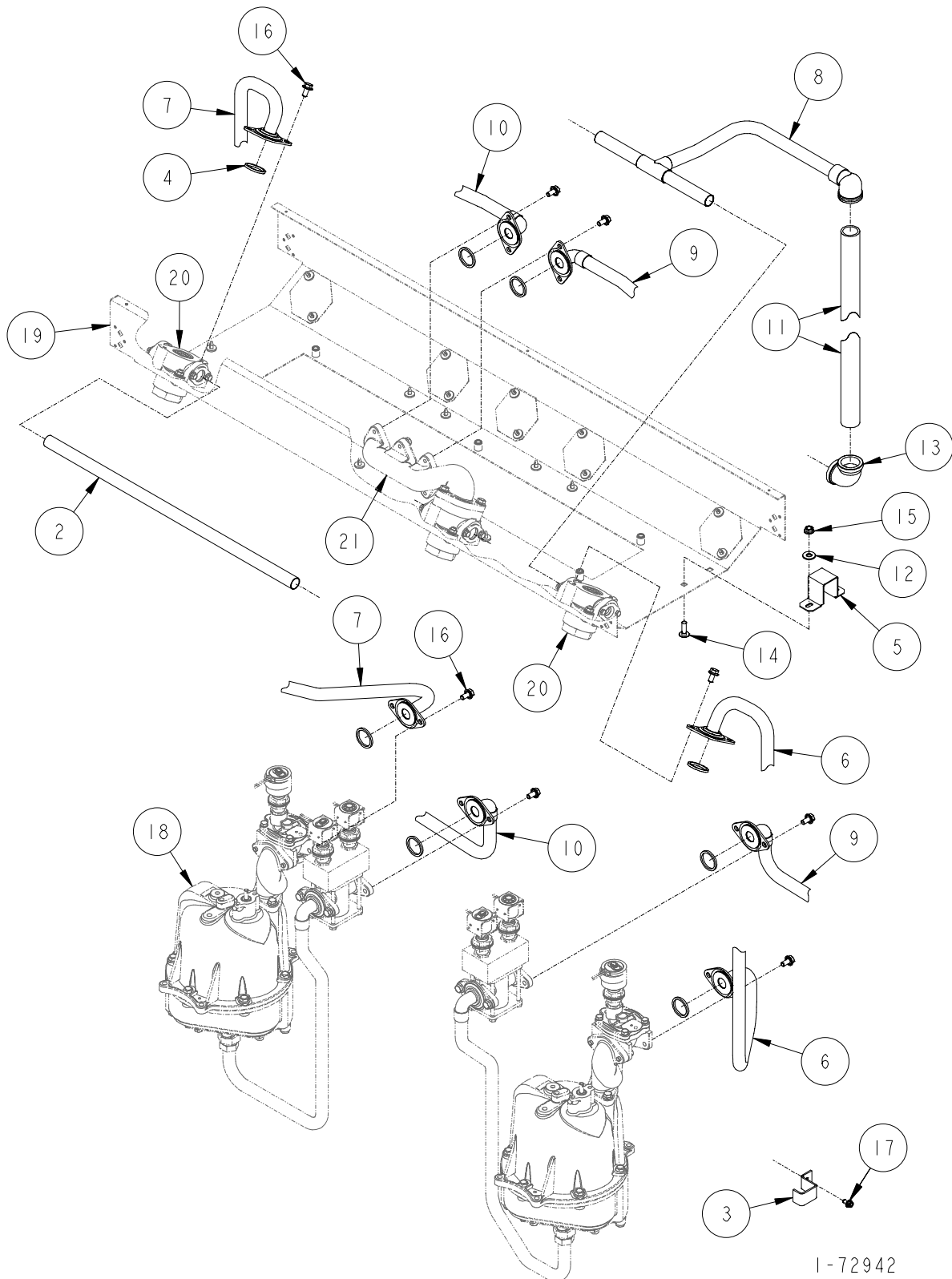
1-72799



4  
B

# **DISCHARGE ASSEMBLY**

## **H413C-EB-IV & FULL (BALANCE)**



1-72942

---

**DISCHARGE ASSEMBLY**  
**H413C-EB-IV & FULL (BALANCE)**

---

ITEM NO.	PART NO.	DESCRIPTION
1	7-230486	Copper Tube Nipple
2	94-230486	Copper Tube Nipple
3	1-231856	Discharge Tube Bracket
4	13-313235	Gasket
5	1-321154	Down Pipe Bracket
6	1-422641	Fuel Discharge Tube
7	1-422642	Fuel Discharge Tube
8	5-422689	Vapor Outlet Tube
9	1-422707	Fuel Discharge Tube
10	1-422706	Fuel Discharge Tube
11	335-50510	1-1/2" x 81-1/2" Long Pipe
12	03-50611	5/16 Plate Washer
13	06-51700	1" x 90° Elbow - Banded
14	39-52198	5/16-18 x 1" Long Carriage Bolt
15	02-54752	5/16-18 M-F Flange Whiz Lock Nut
16	35-55132	5/16-18 x 5/8" Long M-F Flange Whiz Lock Screw
17	69-55392	1/4 x 1/2" Long Hex Washer Head Tapping Screw
18		<u>For parts call out of Meter &amp; Hydraulics Assembly see 72729.</u>
19		<u>For parts call out of Chassis Assembly see 72724.</u>
20		<u>For parts call out of Outlet Adapter Assembly see 72752.</u>
21		<u>For parts call out of Outlet Adapter Assembly see 72760.</u>

Reference for Tokheim internal use only:

321170	Fuel Tube Hydraulic Assembly
422624	Raceway Assembly

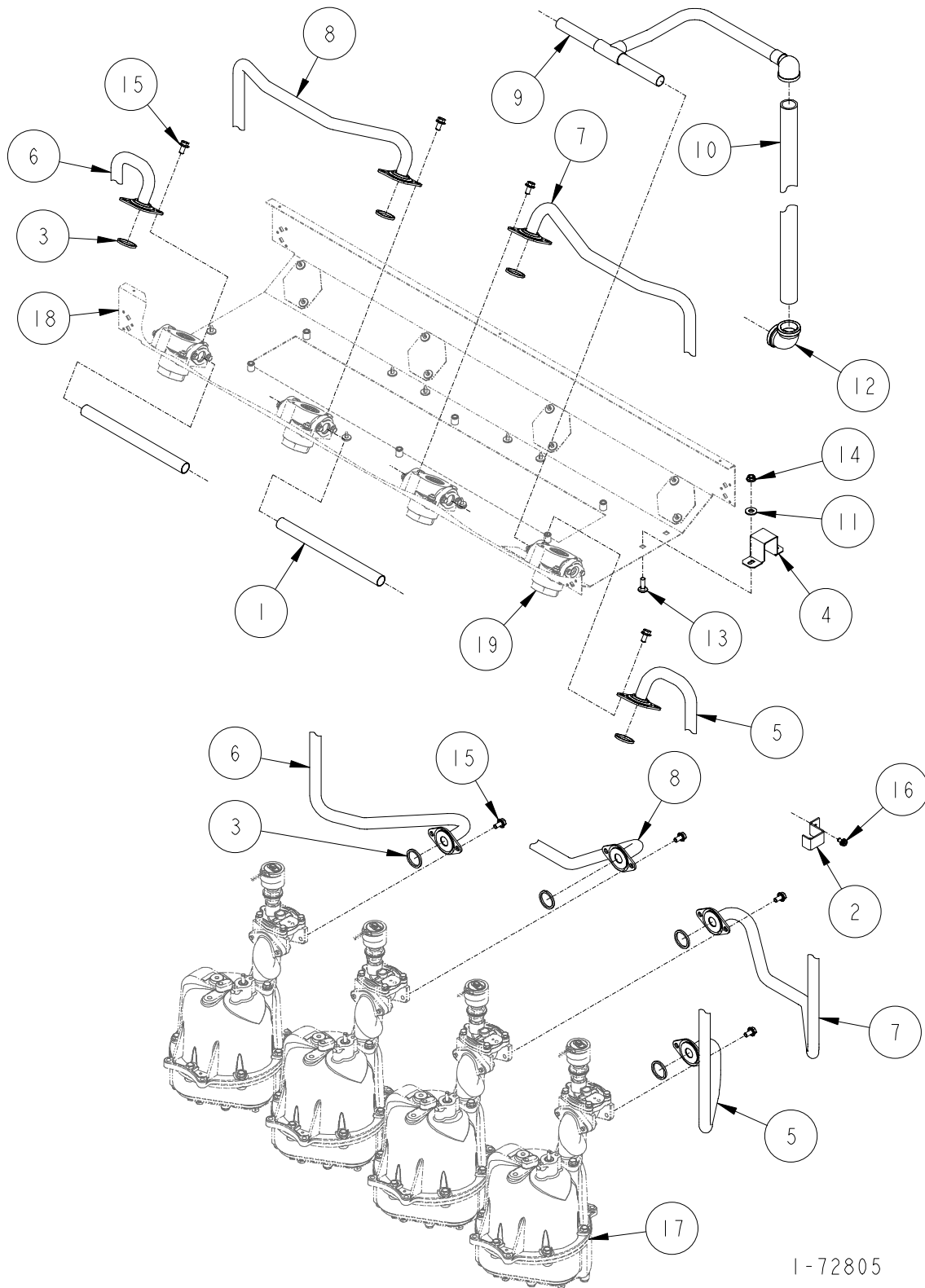
1-72942



4  
B

# **DISCHARGE ASSEMBLY**

H414C-IV & Full (Balance) & H414D-IV & Full (Balance)



I-72805

---

**DISCHARGE ASSEMBLY**  
**H414C-IV & Full (Balance) & H414D-IV & Full (Balance)**

---

ITEM NO.	PART NO.	DESCRIPTION
1	7-230486	Copper Tube Nipple
2	1-231856	Discharge Tube Bracket
3	13-313235	Gasket
4	1-321154	Down Pipe Bracket
5	1-422641	Fuel Discharge Tube
6	1-422642	Fuel Discharge Tube
7	1-422694	Fuel Discharge Tube
8	1-422695	Fuel Discharge Tube
9	5-422689	Vapor Outlet Tube
10	335-50510	1-1/2" x 81-1/2" Long Pipe
11	03-50611	5/16 Plate Washer
12	06-51700	1" x 90° Elbow - Banded
13	39-52198	5/16-18 x 1" Long Carriage Bolt
14	02-54752	5/16-18 M-F Flange Whiz Lock Nut
15	35-55132	5/16-18 x 5/8" Long M-F Flange Whiz Lock Screw
16	69-55392	1/4 x 1/2" Long Hex Washer Head Tapping Screw
17	<u>For parts call out of Meter &amp; Hydraulics Assembly see 72726.</u>	
18	<u>For parts call out of Chassis Assembly see 72724.</u>	
19	<u>For parts call out of Outlet Adapter Assembly see 72752.</u>	

Reference for Tokheim internal use only:

321170	Fuel Tube Hydraulic Assembly
422624	Raceway Assembly

1-72805



4  
B

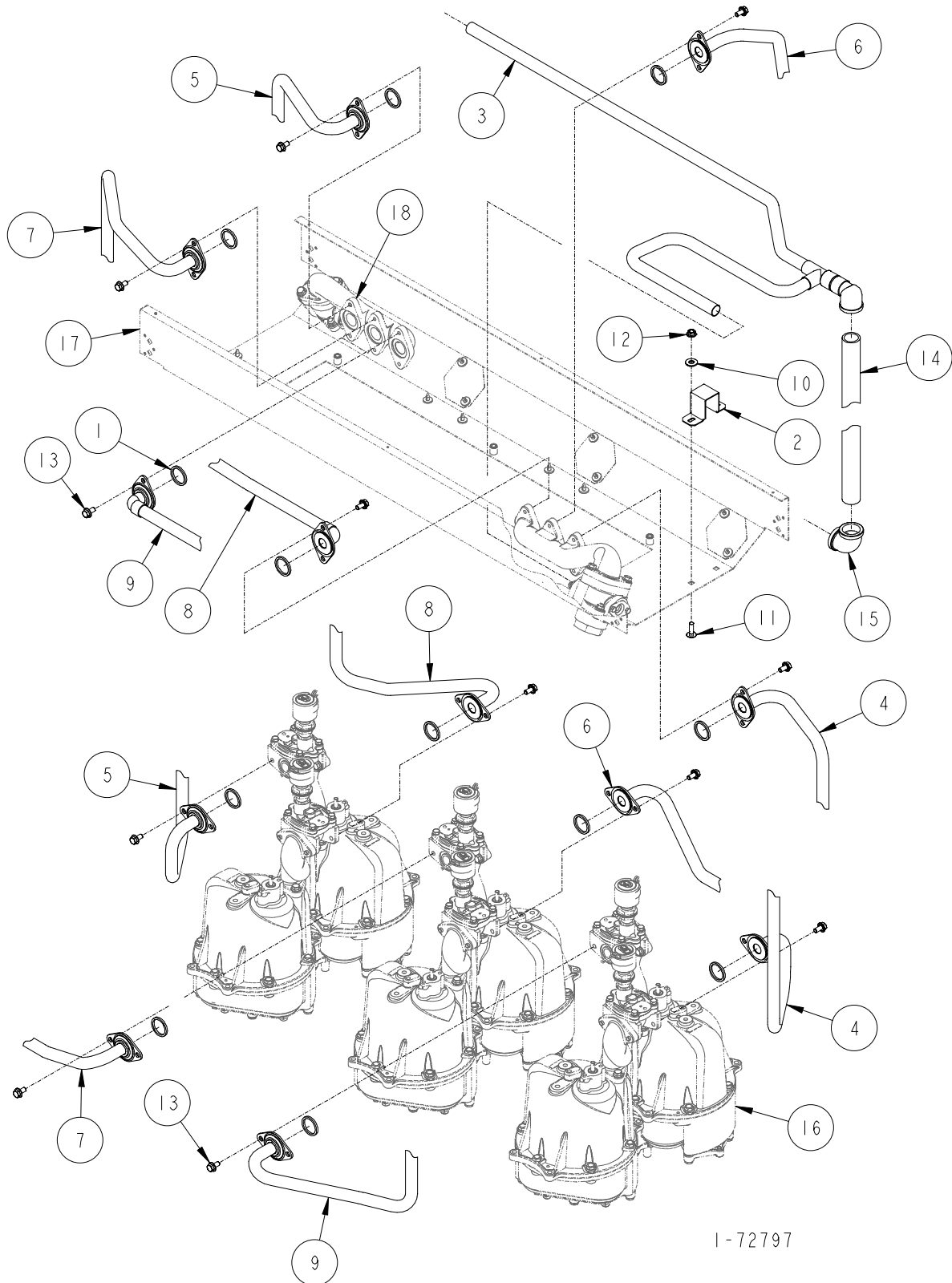
This page reserved for future use.

This page reserved for future use.

4  
B

# **DISCHARGE ASSEMBLY**

H422C-IV & Full (Balance) & H422D-IV & Full (Balance)



1-72797

**DISCHARGE ASSEMBLY****H422C-IV & Full (Balance) & H422D-IV & Full (Balance)**

ITEM NO.	PART NO.	DESCRIPTION
1	13-313235	Gasket
2	1-321154	Down Pipe Bracket
3	4-422689	Vapor Outlet Tube
4	1-422729	Fuel Discharge Tube (H422C Side A)
5	1-422729	Fuel Discharge Tube (H422C Side B)
6	1-422730	Fuel Discharge Tube (H422C Side A)
7	1-422730	Fuel Discharge Tube (H422C Side B)
8	1-422731	Fuel Discharge Tube (H422C Side A)
9	1-422731	Fuel Discharge Tube (H422C Side B)
10	03-50611	5/16 Plate Washer
11	39-52198	5/16-18 x 1" Long Carriage Bolt
12	02-54752	5/16-18 M-F Flange Whiz Lock Nut
13	35-55132	5/16-18 x 5/8" Long M-F Flange Whiz Lock Screw
14	335-50510	1-1/2" x 81-1/2" Long Pipe
15	06-51700	1" x 90° Elbow - Banded
16	<u>For parts call out of Meter &amp; Hydraulics Assembly see 72726.</u>	
17	<u>For parts call out of Chassis Assembly see 72724.</u>	
18	<u>For parts call out of Outlet Adapter Assembly see 72760.</u>	

Reference for Tokheim internal use only:

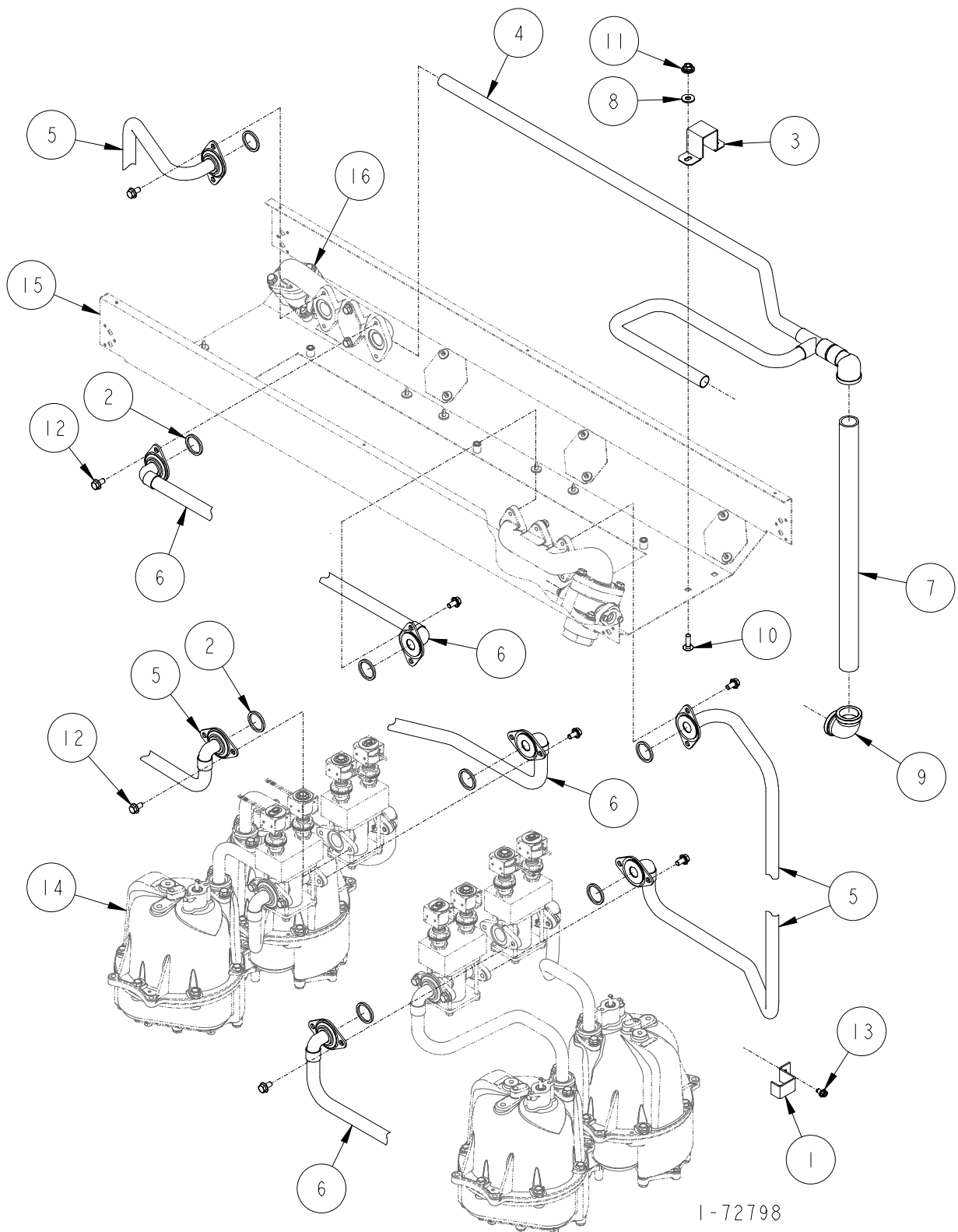
321170	Fuel Tube Hydraulic Assembly
422624	Raceway Assembly

1-72797

4  
B

# DISCHARGE ASSEMBLY

H422C-B3/5-IV & Full (Balance)



1-72798

## DISCHARGE ASSEMBLY

### H422C-B3/5-IV & FULL (BALANCE)

ITEM NO.	PART NO.	DESCRIPTION
1	1-231856	Discharge Tube Bracket
2	13-313235	Gasket
3	1-321154	Down Pipe Bracket
4	1-422689	Vapor Outlet Tube
5	1-422732	Fuel Discharge Tube
6	1-422733	Fuel Discharge Tube
7	335-50510	1-1/2" x 81-1/2" Long Pipe
8	03-50611	5/16 Plate Washer
9	06-51700	1" x 90° Elbow - Banded
10	39-52198	5/16-18 x 1" Long Carriage Bolt
11	02-54752	5/16-18 M-F Flange Whiz Lock Nut
12	35-55132	5/16-18 x 5/8" Long M-F Flange Whiz Lock Screw
13	69-55392	1/4 x 1/2" Long Hex Washer Head Tapping Screw
14	<u>For parts call out of Meter &amp; Hydraulics Assembly see 72728.</u>	
15	<u>For parts call out of Chassis Assembly see 72724.</u>	
16	<u>For parts call out of Outlet Adapter Assembly see 72760.</u>	

Reference for Tokheim internal use only:

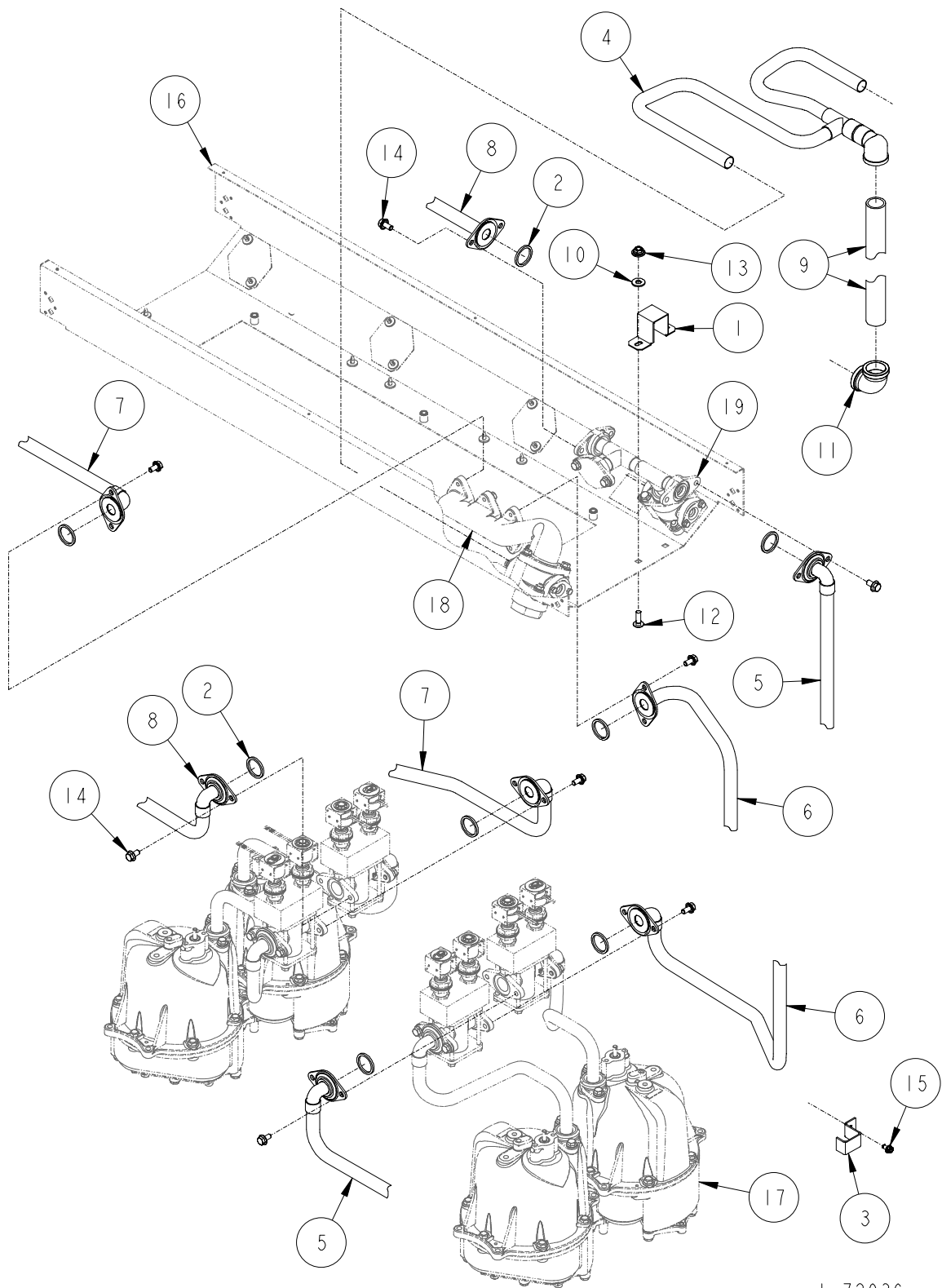
321170	Fuel Tube Hydraulic Assembly
422624	Raceway Assembly

1-72798



# **DISCHARGE ASSEMBLY**

H422C-B3/5MR-IV & Full (Balance)



1-72936

---

**DISCHARGE ASSEMBLY**  
**H422C-B3/5MR-IV & FULL (BALANCE)**

---

ITEM NO.	PART NO.	DESCRIPTION
1	1-231856	Discharge Tube Bracket
2	13-313235	Gasket
3	1-321154	Down Pipe Bracket
4	8-422689	Vapor Outlet Tube
5	1-422732	Fuel Discharge Tube
6	1-422732	Fuel Discharge Tube
7	1-422733	Fuel Discharge Tube
8	1-422732	Fuel Discharge Tube
9	335-50510	1-1/2" x 81-1/2" Long Pipe
10	03-50611	5/16 Plate Washer
11	06-51700	1" x 90° Elbow - Banded
12	39-52198	5/16-18 x 1" Long Carriage Bolt
13	02-54752	5/16-18 M-F Flange Whiz Lock Nut
14	35-55132	5/16-18 x 5/8" Long M-F Flange Whiz Lock Screw
15	69-55392	1/4 x 1/2" Long Hex Washer Head Tapping Screw
16	<u>For parts call out of Chassis Assembly see 72724.</u>	
17	<u>For parts call out of Meter &amp; Hydraulics Assembly see 72728.</u>	
18	<u>For parts call out of Outlet Adapter Assembly see 72760.</u>	
19	<u>For parts call out of Outlet Adapter Assembly see 72819.</u>	

Reference for Tokheim internal use only:

321170	Fuel Tube Hydraulic Assembly
422624	Raceway Assembly

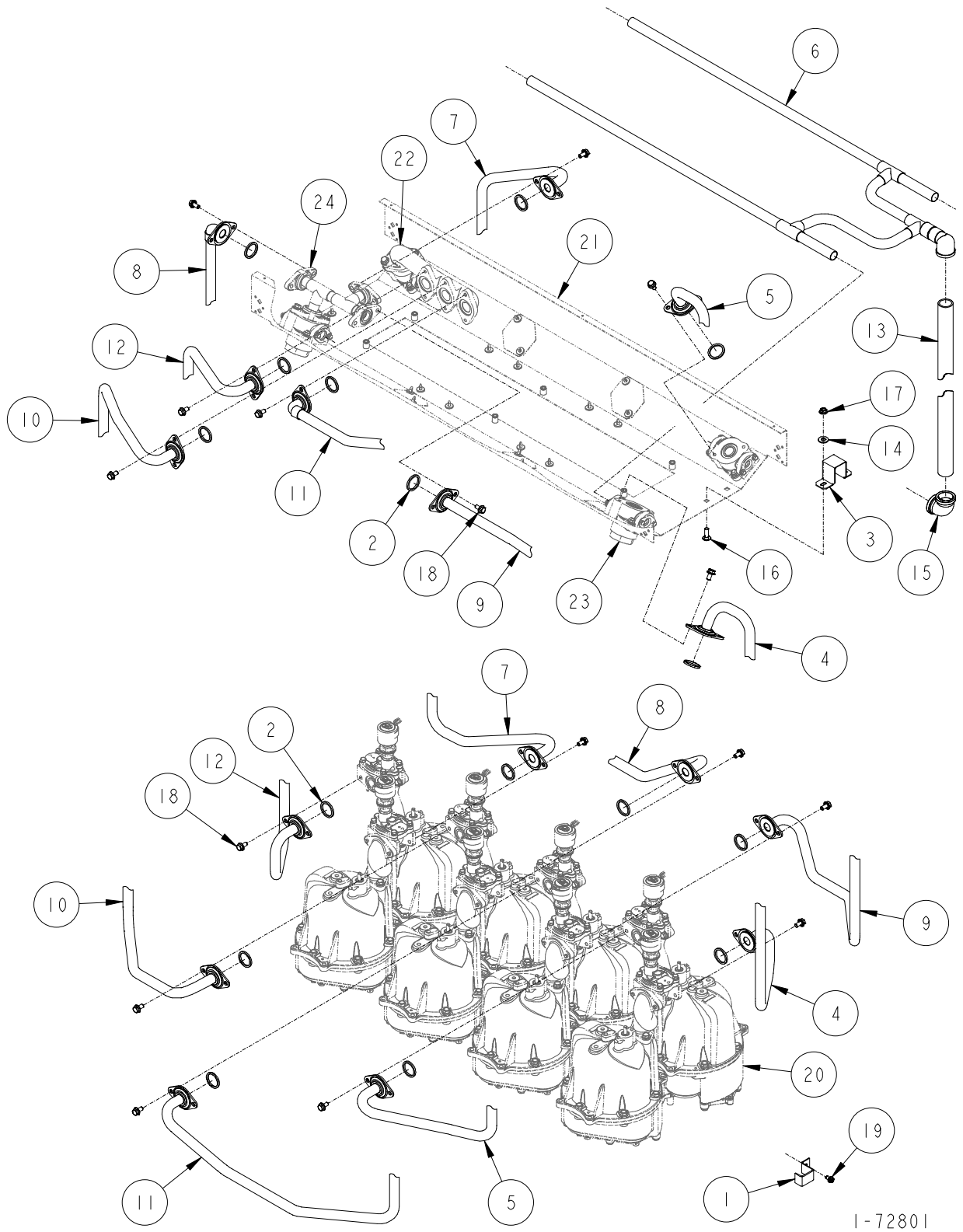
1-72936



4  
B

# **DISCHARGE ASSEMBLY**

H424C-IV & Full (Balance) & H424D-IV & Full (Balance)



I-72801

## DISCHARGE ASSEMBLY

### H424C-IV & Full (Balance) & H424D-IV & Full (Balance)

ITEM NO.	PART NO.	DESCRIPTION
1	1-231856	Discharge Tube Bracket
2	13-313235	Gasket
3	1-321154	Down Pipe Bracket
4	1-422641	Fuel Discharge Tube
5	1-422642	Fuel Discharge Tube
6	3-422689	Vapor Outlet Tube
7	1-422697	Fuel Discharge Tube
8	1-422698	Fuel Discharge Tube
9	1-422699	Fuel Discharge Tube
10	1-422700	Fuel Discharge Tube
11	1-422701	Fuel Discharge Tube
12	1-422729	Fuel Discharge Tube
13	335-50510	1-1/2" x 81-1/2" Long Pipe
14	03-50611	5/16 Plate Washer
15	06-51700	1" x 90° Elbow - Banded
16	39-52198	5/16-18 x 1" Long Carriage Bolt
17	02-54752	5/16-18 M-F Flange Whiz Lock Nut
18	35-55132	5/16-18 x 5/8" Long M-F Flange Whiz Lock Screw
19	69-55392	1/4 x 1/2" Long Hex Washer Head Tapping Screw
20	<u>For parts call out of Meter &amp; Hydraulics Assembly see 72726.</u>	
21	<u>For parts call out of Chassis Assembly see 72724.</u>	
22	<u>For parts call out of Outlet Adapter Assembly see 72760.</u>	
23	<u>For parts call out of Outlet Adapter Assembly see 72752.</u>	
24	<u>For parts call out of Outlet Adapter Assembly see 72819.</u>	

Reference for Tokheim internal use only:

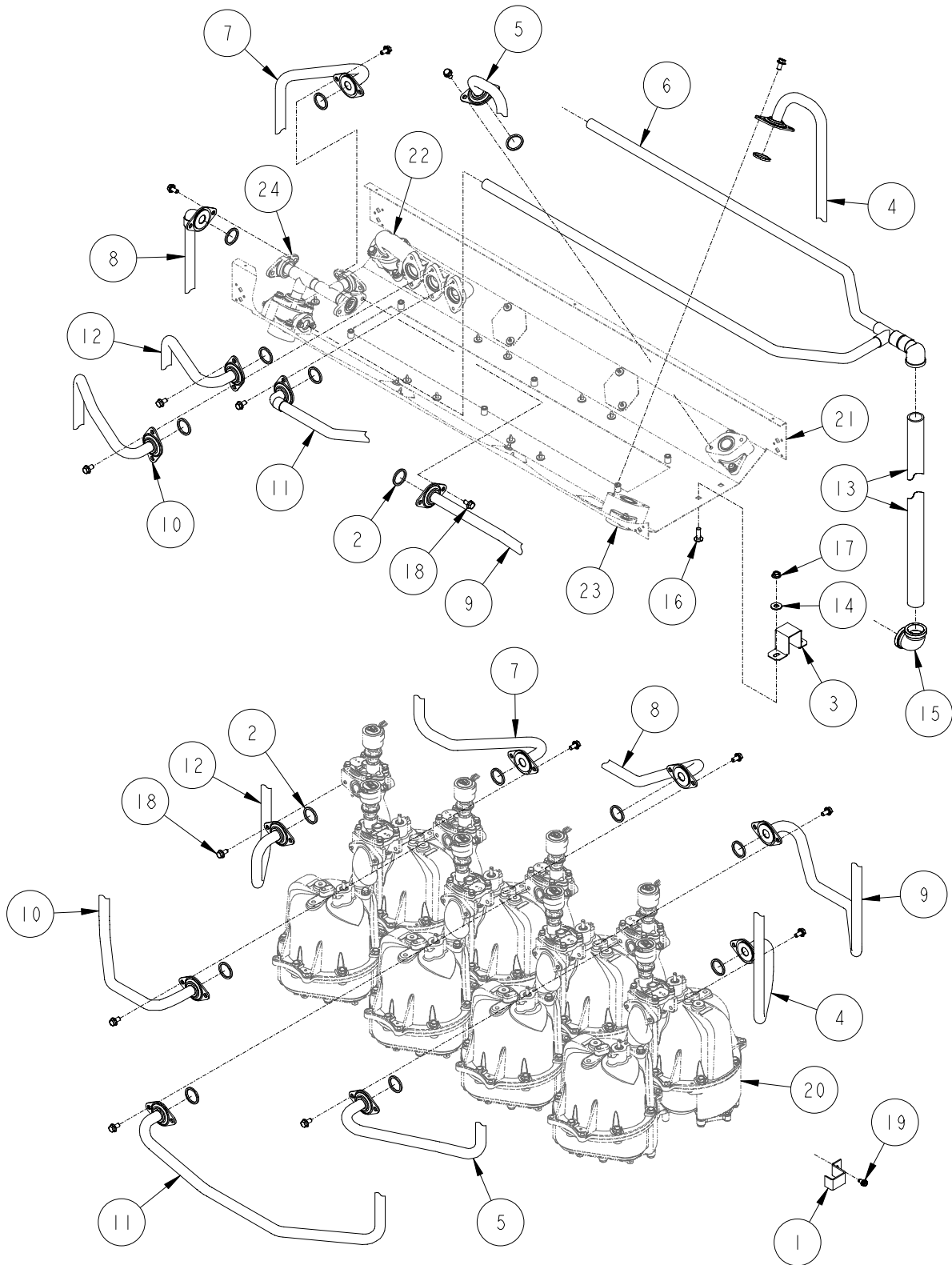
321170	Fuel Tube Hydraulic Assembly
422624	Raceway Assembly

1-72801



# DISCHARGE ASSEMBLY

H424C-IN/FN & H424D-IN/FN



1-72937

## DISCHARGE ASSEMBLY

### H424C-IN/FN & H424D-IN/FN

ITEM NO.	PART NO.	DESCRIPTION
1	1-231856	Discharge Tube Bracket
2	13-313235	Gasket
3	1-321154	Down Pipe Bracket
4	1-422641	Fuel Discharge Tube
5	1-422642	Fuel Discharge Tube
6	6-422689	Vapor Outlet Tube
7	1-422697	Fuel Discharge Tube
8	1-422698	Fuel Discharge Tube
9	1-422699	Fuel Discharge Tube
10	1-422700	Fuel Discharge Tube
11	1-422701	Fuel Discharge Tube
12	1-422729	Fuel Discharge Tube
13	335-50510	1-1/2" x 81-1/2" Long Pipe
14	03-50611	5/16 Plate Washer
15	06-51700	1" x 90° Elbow - Banded
16	39-52198	5/16-18 x 1" Long Carriage Bolt
17	02-54752	5/16-18 M-F Flange Whiz Lock Nut
18	35-55132	5/16-18 x 5/8" Long M-F Flange Whiz Lock Screw
19	69-55392	1/4 x 1/2" Long Hex Washer Head Tapping Screw
20	<u>For parts call out of Meter &amp; Hydraulics Assembly see 72726.</u>	
21	<u>For parts call out of Chassis Assembly see 72724.</u>	
22	<u>For parts call out of Outlet Adapter Assembly see 72760.</u>	
23	<u>For parts call out of Outlet Adapter Assembly see 72763.</u>	
24	<u>For parts call out of Outlet Adapter Assembly see 72819.</u>	

Reference for Tokheim internal use only:

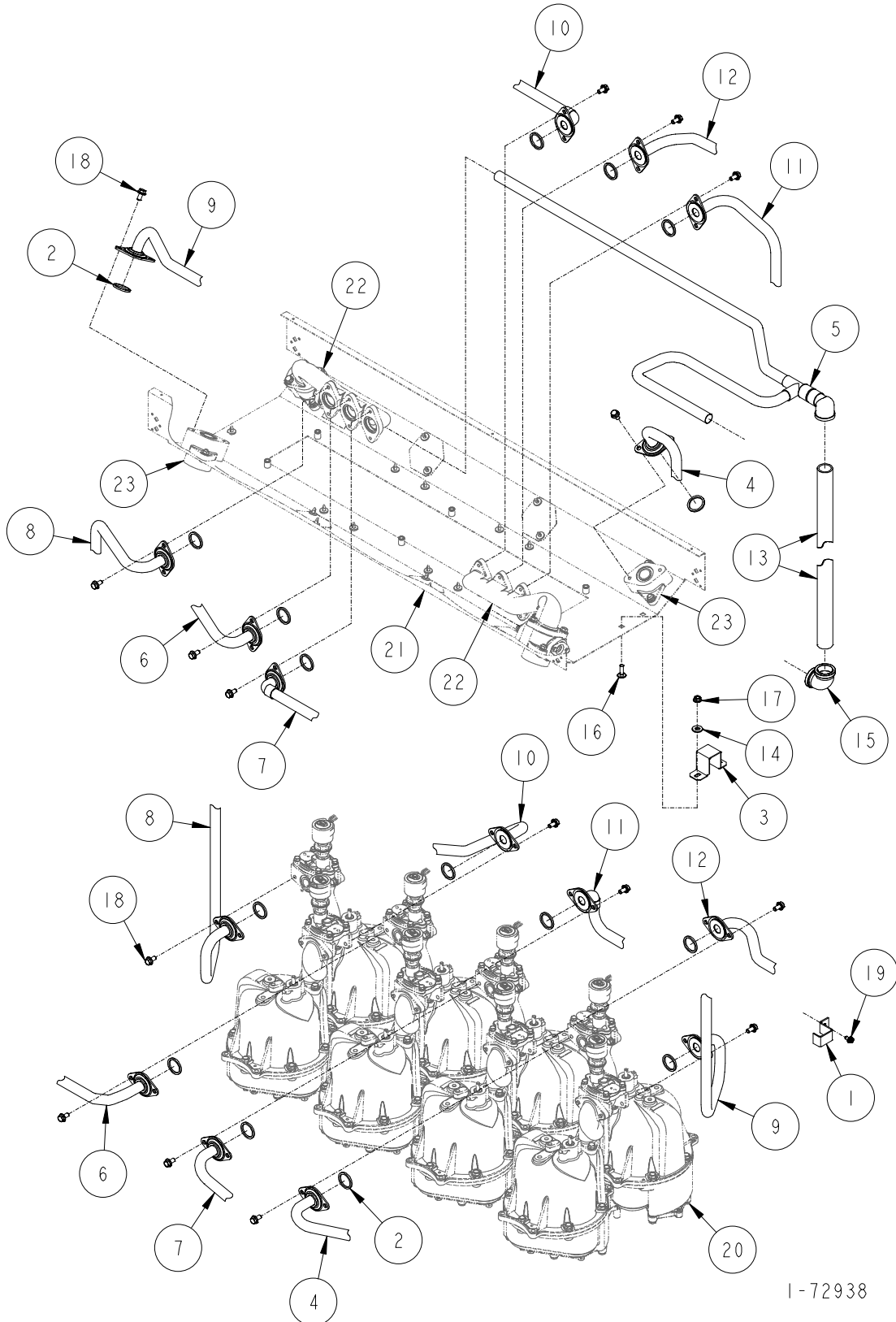
321170	Fuel Tube Hydraulic Assembly
422624	Raceway Assembly

1-72937



# DISCHARGE ASSEMBLY

## H424C-TLIN/FN & H424D-TLIN/FN



1-72938

## DISCHARGE ASSEMBLY

### H424C-TLIN/FN & H424D-TLIN/FN

ITEM NO.	PART NO.	DESCRIPTION
1	1-231856	Discharge Tube Bracket
2	13-313235	Gasket
3	1-321154	Down Pipe Bracket
4	1-422642	Fuel Discharge Tube
5	4-422689	Vapor Outlet Tube
6	1-422700	Fuel Discharge Tube
7	1-422701	Fuel Discharge Tube
8	1-422729	Fuel Discharge Tube
9	1-422832	Fuel Discharge Tube
10	1-422854	Fuel Discharge Tube
11	1-422855	Fuel Discharge Tube
12	1-422856	Fuel Discharge Tube
13	335-50510	1-1/2" x 81-1/2" Long Pipe
14	03-50611	5/16 Plate Washer
15	06-51700	1" x 90° Elbow - Banded
16	39-52198	5/16-18 x 1" Long Carriage Bolt
17	02-54752	5/16-18 M-F Flange Whiz Lock Nut
18	35-55132	5/16-18 x 5/8" Long M-F Flange Whiz Lock Screw
19	69-55392	1/4 x 1/2" Long Hex Washer Head Tapping Screw
20	<u>For parts call out of Meter &amp; Hydraulics Assembly see 72726.</u>	
21	<u>For parts call out of Chassis Assembly see 72724.</u>	
22	<u>For parts call out of Outlet Adapter Assembly see 72760.</u>	
23	<u>For parts call out of Outlet Adapter Assembly see 72763.</u>	

Reference for Tokheim internal use only:

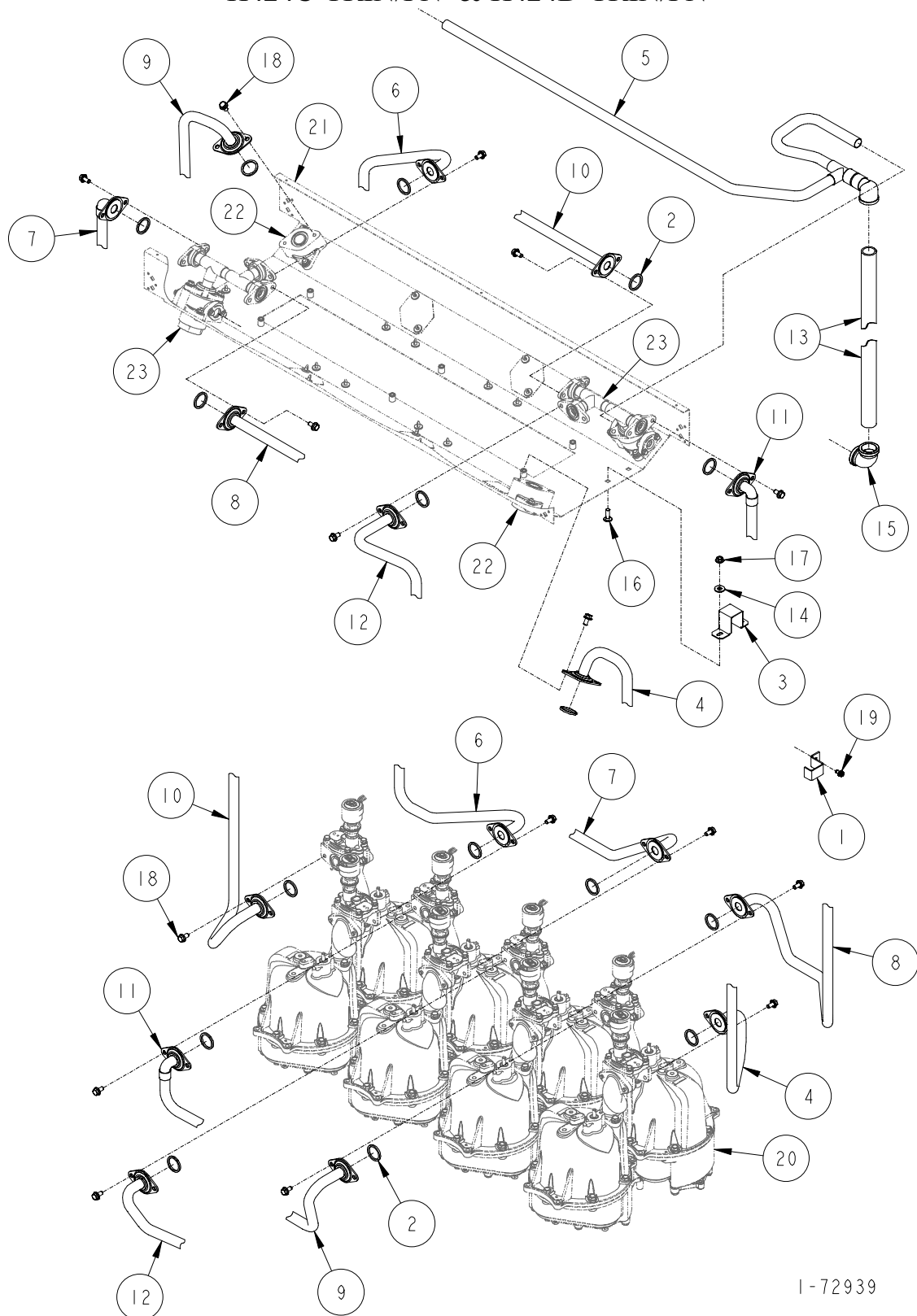
321170	Fuel Tube Hydraulic Assembly
422624	Raceway Assembly

1-72938



# DISCHARGE ASSEMBLY

## H424C-TRIN/FN & H424D-TRIN/FN



1-72939

## DISCHARGE ASSEMBLY

### H424C-TRIN/FN & H424D-TRIN/FN

ITEM NO.	PART NO.	DESCRIPTION
1	1-231856	Discharge Tube Bracket
2	13-313235	Gasket
3	1-321154	Down Pipe Bracket
4	1-422641	Fuel Discharge Tube
5	7-422689	Vapor Outlet Tube
6	1-422697	Fuel Discharge Tube
7	1-422698	Fuel Discharge Tube
8	1-422699	Fuel Discharge Tube
9	1-422975	Fuel Discharge Tube
10	1-422976	Fuel Discharge Tube
11	1-422977	Fuel Discharge Tube
12	1-422978	Fuel Discharge Tube
13	335-50510	1-1/2" x 81-1/2" Long Pipe
14	03-50611	5/16 Plate Washer
15	06-51700	1" x 90° Elbow - Banded
16	39-52198	5/16-18 x 1" Long Carriage Bolt
17	02-54752	5/16-18 M-F Flange Whiz Lock Nut
18	35-55132	5/16-18 x 5/8" Long M-F Flange Whiz Lock Screw
19	69-55392	1/4 x 1/2" Long Hex Washer Head Tapping Screw
20	<u>For parts call out of Meter &amp; Hydraulics Assembly see 72726.</u>	
21	<u>For parts call out of Chassis Assembly see 72724.</u>	
22	<u>For parts call out of Outlet Adapter Assembly see 72763.</u>	
23	<u>For parts call out of Outlet Adapter Assembly see 72819.</u>	

Reference for Tokheim internal use only:

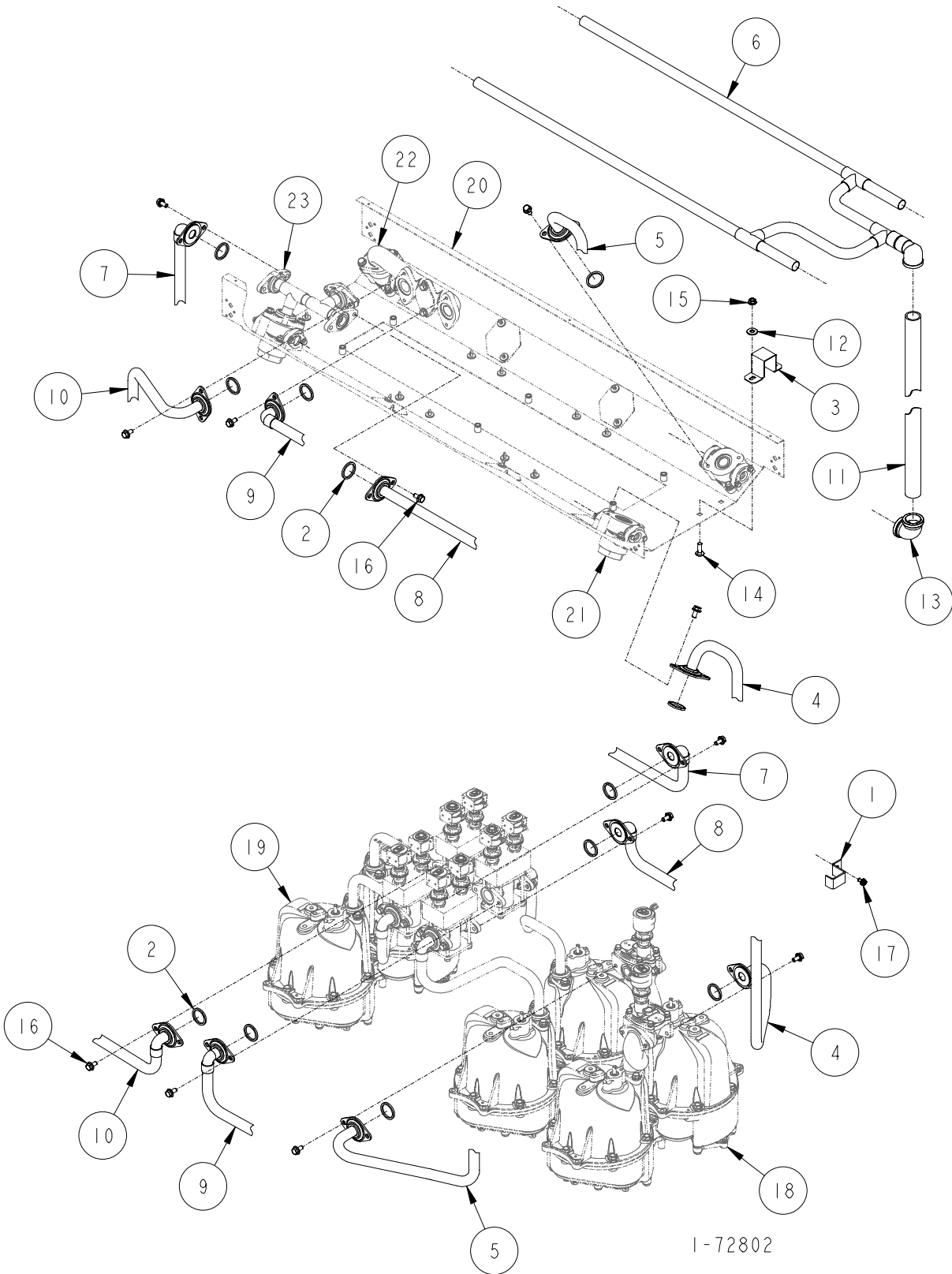
321170	Fuel Tube Hydraulic Assembly
422624	Raceway Assembly

1-72939



# **DISCHARGE ASSEMBLY**

H424C-B3/4-IN/FN



1-72802

## DISCHARGE ASSEMBLY

### H424C-B3/4-IN/FN

ITEM NO.	PART NO.	DESCRIPTION
1	1-231856	Discharge Tube Bracket
2	13-313235	Gasket
3	1-321154	Down Pipe Bracket
4	1-422641	Fuel Discharge Tube
5	1-422642	Fuel Discharge Tube
6	3-422689	Vapor Outlet Tube
7	1-422702	Fuel Discharge Tube
8	1-422703	Fuel Discharge Tube
9	1-422704	Fuel Discharge Tube
10	1-422732	Fuel Discharge Tube
11	335-50510	1-1/2" x 81-1/2" Long Pipe
12	03-50611	5/16" Plate Washer
13	06-51700	1" x 90° Elbow - Banded
14	39-52198	5/16-18 x 1" Long Carriage Bolt
15	02-54752	5/16-18 M-F Flange Whiz Lock Nut
16	35-55132	5/16-18 x 5/8" Long M-F Flange Whiz Lock Screw
17	69-55392	1/4 x 1/2" Long Hex Washer Head Tapping Screw
18		<u>For parts call out of Meter &amp; Hydraulics Assembly see 72726.</u>
19		<u>For parts call out of Meter &amp; Hydraulics Assembly see 72728.</u>
20		<u>For parts call out of Chassis Assembly see 72724.</u>
21		<u>For parts call out of Outlet Adapter Assembly see 72752.</u>
22		<u>For parts call out of Outlet Adapter Assembly see 72760.</u>
23		<u>For parts call out of Outlet Adapter Assembly see 72819.</u>

Reference for Tokheim internal use only:

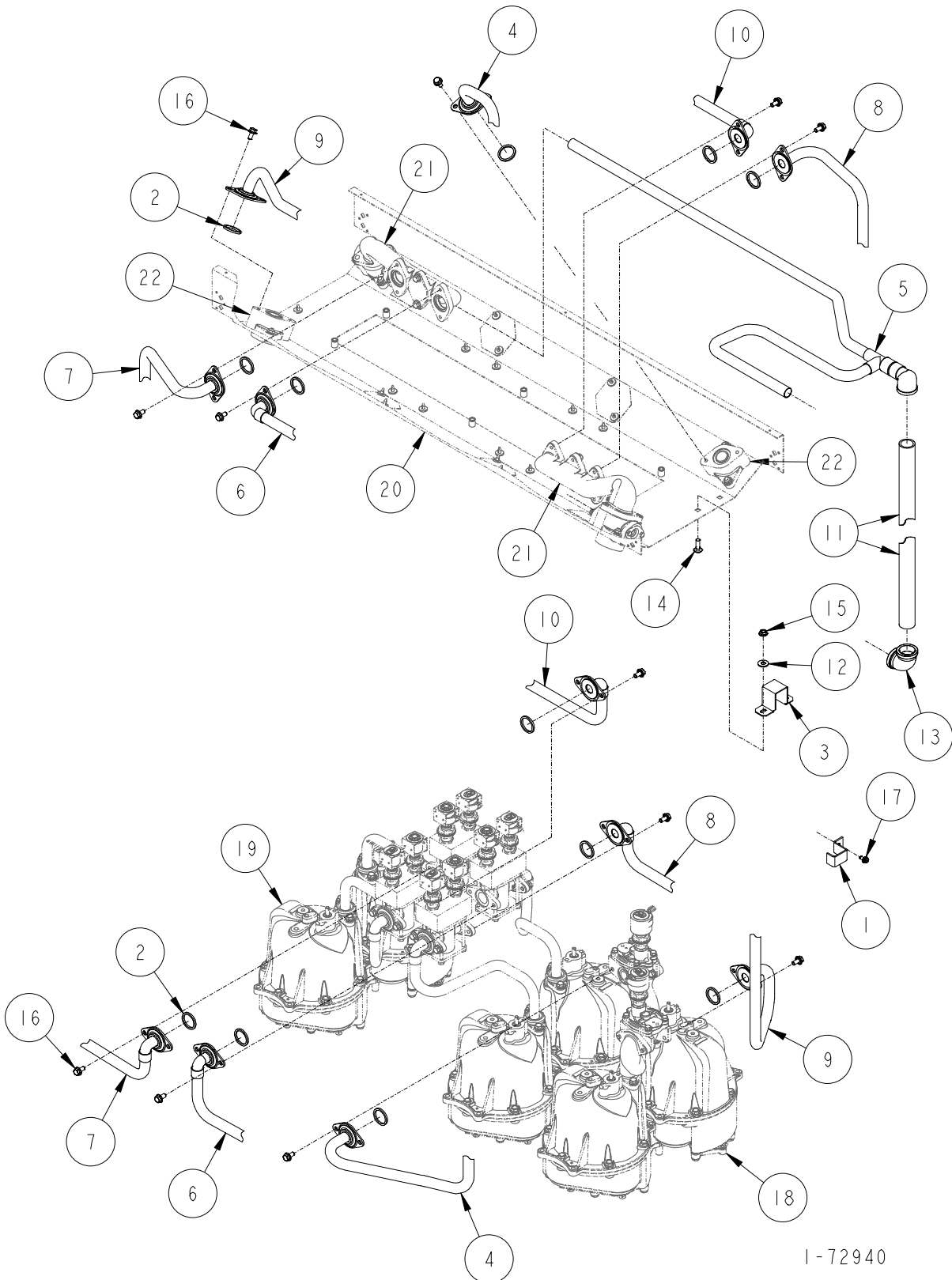
321170	Fuel Tube Hydraulic Assembly
422624	Raceway Assembly

1-72802

4  
B

# **DISCHARGE ASSEMBLY**

H424C-B3/4TL-IN/FN



1-72940

## DISCHARGE ASSEMBLY

### H424C-B3/4TL-IN/FN

ITEM NO.	PART NO.	DESCRIPTION
1	1-231856	Discharge Tube Bracket
2	13-313235	Gasket
3	1-321154	Down Pipe Bracket
4	1-422642	Fuel Discharge Tube
5	4-422689	Vapor Outlet Tube
6	1-422704	Fuel Discharge Tube
7	1-422732	Fuel Discharge Tube
8	1-422831	Fuel Discharge Tube
9	1-422832	Fuel Discharge Tube
10	1-422833	Fuel Discharge Tube
11	335-50510	1-1/2" x 81-1/2" Long Pipe
12	03-50611	5/16" Plate Washer
13	06-51700	1" x 90° Elbow - Banded
14	39-52198	5/16-18 x 1" Long Carriage Bolt
15	02-54752	5/16-18 M-F Flange Whiz Lock Nut
16	35-55132	5/16-18 x 5/8" Long M-F Flange Whiz Lock Screw
17	69-55392	1/4 x 1/2" Long Hex Washer Head Tapping Screw
18		<u>For parts call out of Meter &amp; Hydraulics Assembly see 72726.</u>
19		<u>For parts call out of Meter &amp; Hydraulics Assembly see 72728.</u>
20		<u>For parts call out of Chassis Assembly see 72724.</u>
21		<u>For parts call out of Outlet Adapter Assembly see 72760.</u>
22		<u>For parts call out of Outlet Adapter Assembly see 72763.</u>

Reference for Tokheim internal use only:

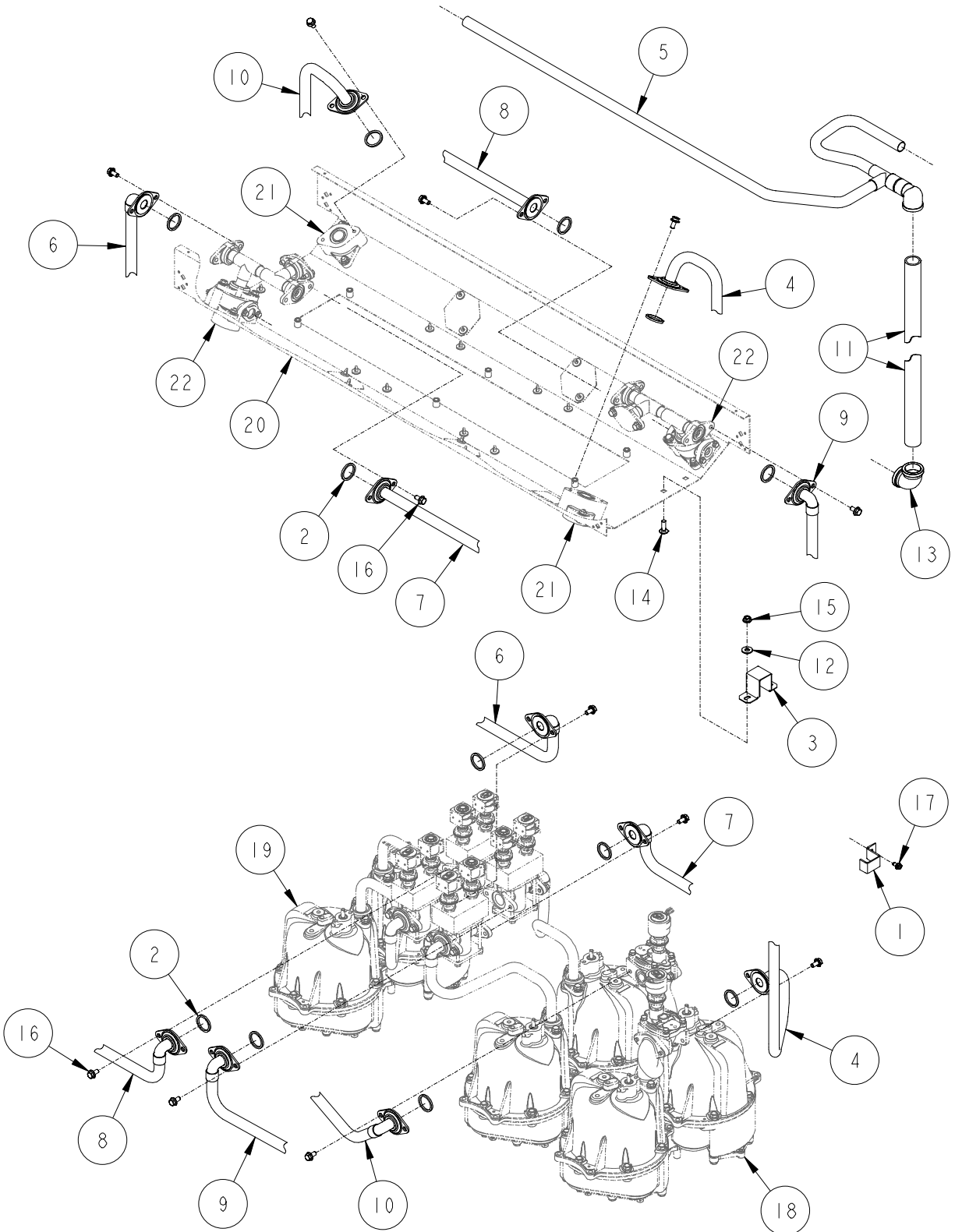
321170	Fuel Tube Hydraulic Assembly
422624	Raceway Assembly

1-72940



# **DISCHARGE ASSEMBLY**

H424C-B3/4TR-IN/FN



1-72941

## DISCHARGE ASSEMBLY

### H424C-B3/4TR-IN/FN

ITEM NO.	PART NO.	DESCRIPTION
1	1-231856	Discharge Tube Bracket
2	13-313235	Gasket
3	1-321154	Down Pipe Bracket
4	1-422641	Fuel Discharge Tube
5	7-422689	Vapor Outlet Tube
6	1-422702	Fuel Discharge Tube
7	1-422703	Fuel Discharge Tube
8	1-422844	Fuel Discharge Tube
9	1-422845	Fuel Discharge Tube
10	1-422881	Fuel Discharge Tube
11	335-50510	1-1/2" x 81-1/2" Long Pipe
12	03-50611	5/16" Plate Washer
13	06-51700	1" x 90° Elbow - Banded
14	39-52198	5/16-18 x 1" Long Carriage Bolt
15	02-54752	5/16-18 M-F Flange Whiz Lock Nut
16	35-55132	5/16-18 x 5/8" Long M-F Flange Whiz Lock Screw
17	69-55392	1/4 x 1/2" Long Hex Washer Head Tapping Screw
18		<u>For parts call out of Meter &amp; Hydraulics Assembly see 72726.</u>
19		<u>For parts call out of Meter &amp; Hydraulics Assembly see 72728.</u>
20		<u>For parts call out of Chassis Assembly see 72724.</u>
21		<u>For parts call out of Outlet Adapter Assembly see 72763.</u>
22		<u>For parts call out of Outlet Adapter Assembly see 72819.</u>

Reference for Tokheim internal use only:

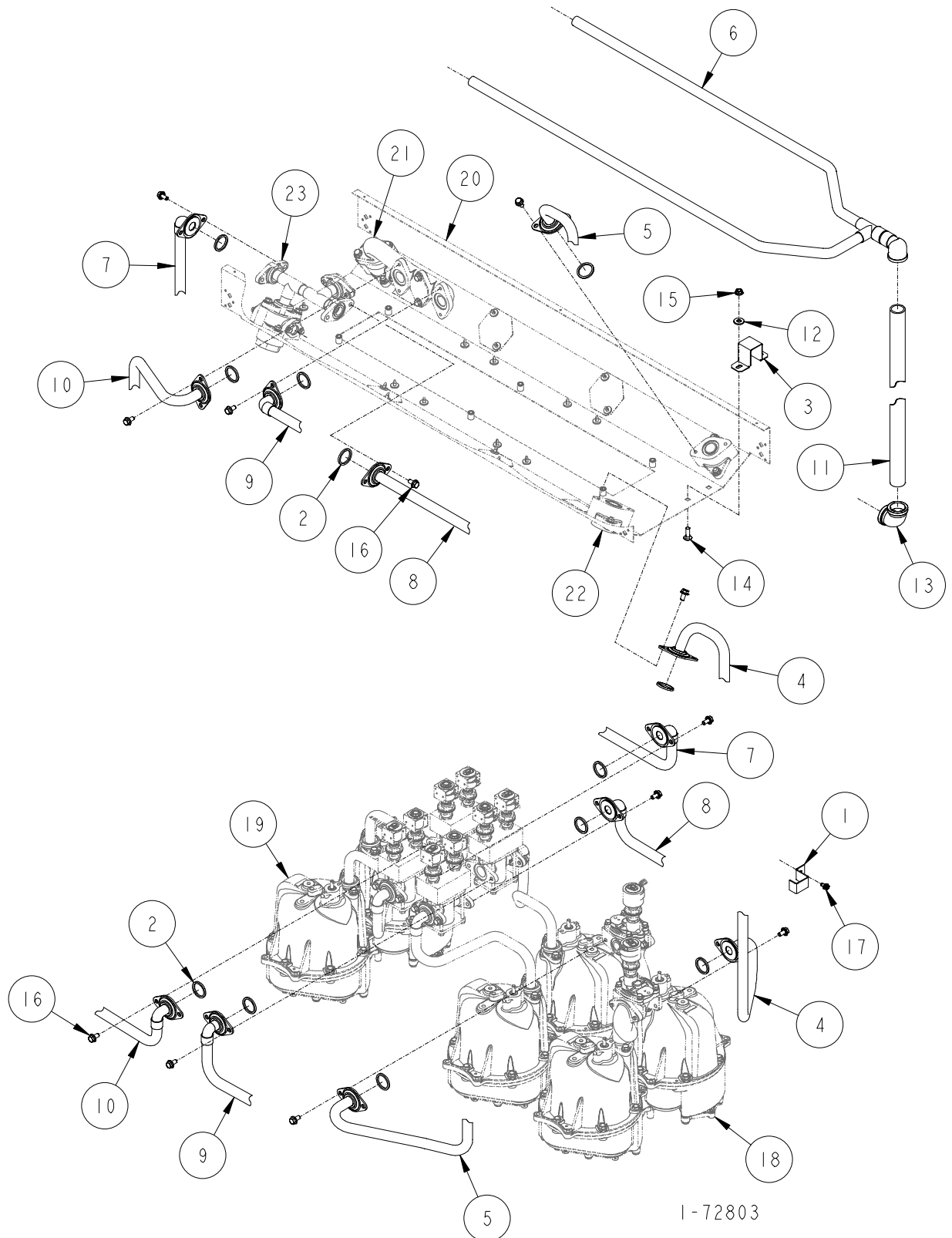
321170	Fuel Tube Hydraulic Assembly
422624	Raceway Assembly

1-72941



# **DISCHARGE ASSEMBLY**

H424C-B3/4+DEISEL-IV & Full (Balance)



1-72803

## DISCHARGE ASSEMBLY

### H424C-B3/4+DEISEL-IV & FULL (BALANCE)

ITEM NO.	PART NO.	DESCRIPTION
1	1-231856	Discharge Tube Bracket
2	13-313235	Gasket
3	1-321154	Down Pipe Bracket
4	1-422641	Fuel Discharge Tube
5	1-422642	Fuel Discharge Tube
6	6-422689	Vapor Outlet Tube
7	1-422702	Fuel Discharge Tube
8	1-422703	Fuel Discharge Tube
9	1-422704	Fuel Discharge Tube
10	1-422732	Fuel Discharge Tube
11	335-50510	1-1/2" x 81-1/2" Long Pipe
12	03-50611	5/16" Plate Washer
13	06-51700	1" x 90° Elbow - Banded
14	39-52198	5/16-18 x 1" Long Carriage Bolt
15	02-54752	5/16-18 M-F Flange Whiz Lock Nut
16	35-55132	5/16-18 x 5/8" Long M-F Flange Whiz Lock Screw
17	69-55392	1/4 x 1/2" Long Hex Washer Head Tapping Screw
18		<u>For parts call out of Meter &amp; Hydraulics Assembly see 72726.</u>
19		<u>For parts call out of Meter &amp; Hydraulics Assembly see 72728.</u>
20		<u>For parts call out of Chassis Assembly see 72724.</u>
21		<u>For parts call out of Outlet Adapter Assembly see 72760.</u>
22		<u>For parts call out of Outlet Adapter Assembly see 72763.</u>
23		<u>For parts call out of Outlet Adapter Assembly see 72819.</u>

Reference for Tokheim internal use only:

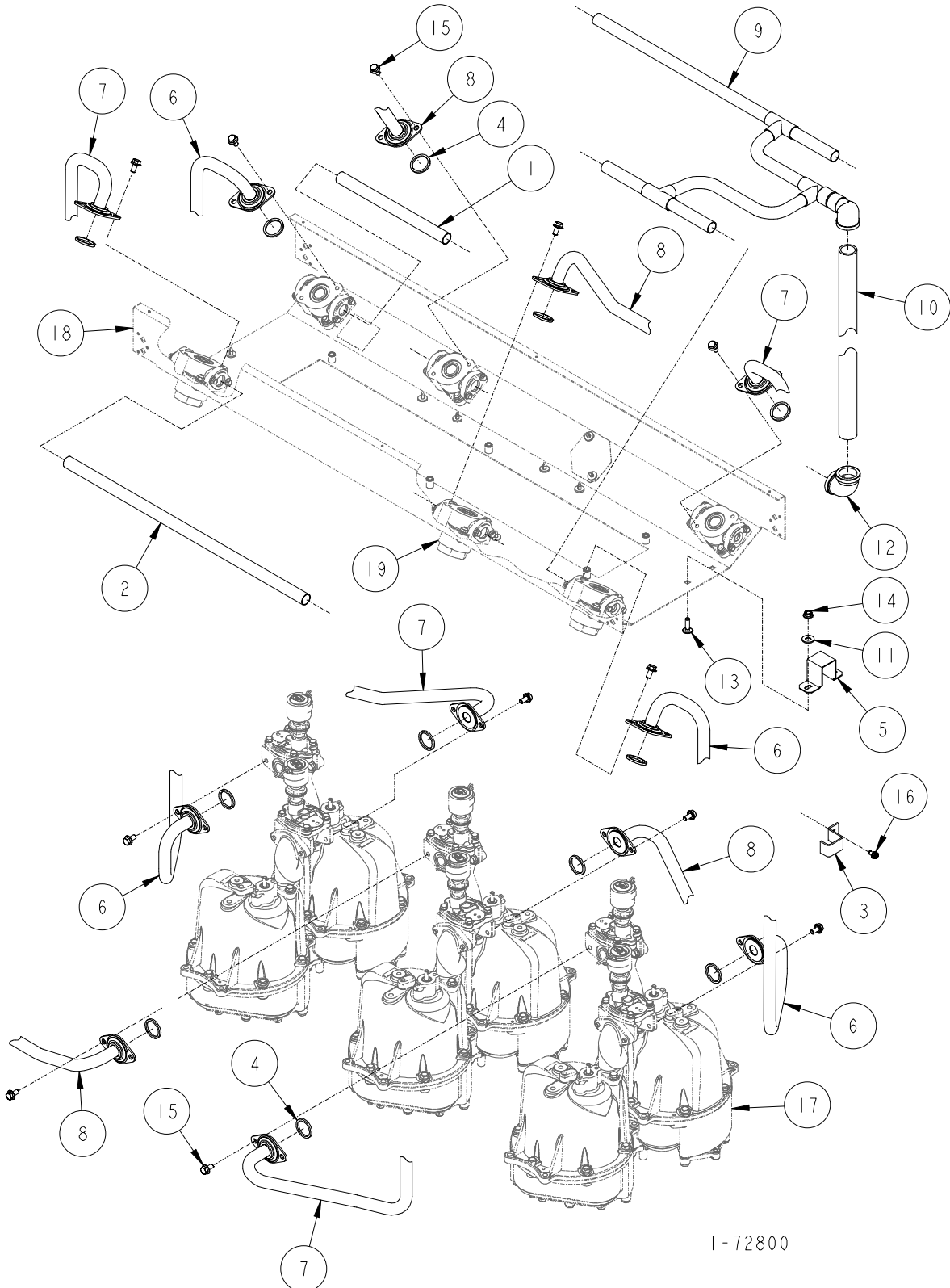
321170	Fuel Tube Hydraulic Assembly
422624	Raceway Assembly

1-72803

4  
B

# **DISCHARGE ASSEMBLY**

H426C-IV & Full (Balance) & H426D-IV & Full (Balance)



1-72800

**DISCHARGE ASSEMBLY****H426C-IV & Full (Balance) & H426D-IV & Full (Balance)**

ITEM NO.	PART NO.	DESCRIPTION
1	7-230486	Copper Tube Nipple
2	94-230486	Copper Tube Nipple
3	1-231856	Discharge Tube Bracket
4	13-313235	Gasket
5	1-321154	Down Pipe Bracket
6	1-422641	Fuel Discharge Tube
7	1-422642	Fuel Discharge Tube
8	1-422643	Fuel Discharge Tube
9	2-422689	Vapor Outlet Tube
10	335-50510	1-1/2" x 81-1/2" Long Pipe
11	03-50611	5/16 Plate Washer
12	06-51700	1" x 90° Elbow - Banded
13	39-52198	5/16-18 x 1" Long Carriage Bolt
14	02-54752	5/16-18 M-F Flange Whiz Lock Nut
15	35-55132	5/16-18 x 5/8" Long M-F Flange Whiz Lock Screw
16	69-55392	1/4 x 1/2" Long Hex Washer Head Tapping Screw
17	<u>For parts call out of Meter &amp; Hydraulics Assembly see 72726.</u>	
18	<u>For parts call out of Chassis Assembly see 72724.</u>	
19	<u>For parts call out of Outlet Adapter Assembly see 72752.</u>	

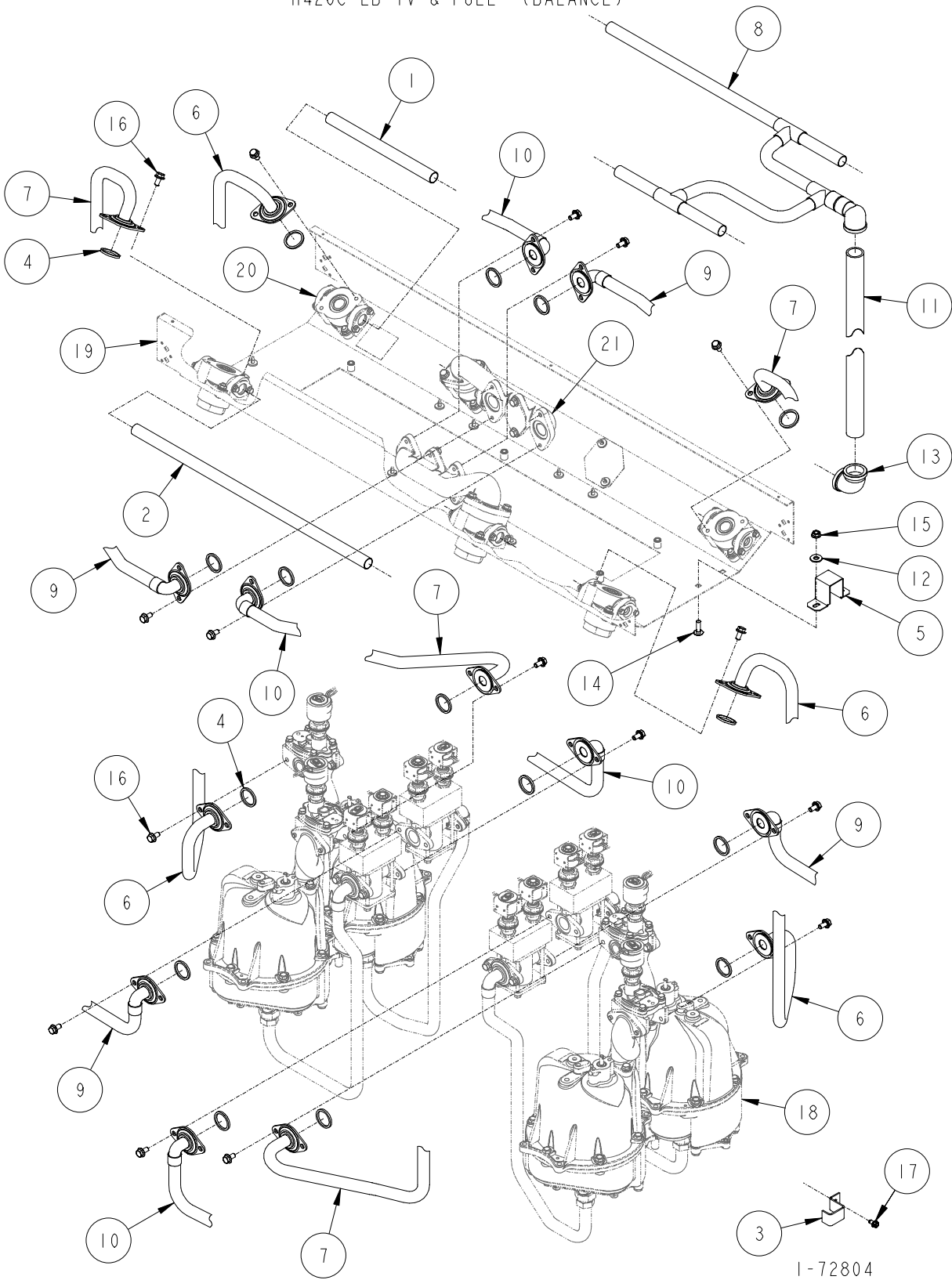
Reference for Tokheim internal use only:

321170	Fuel Tube Hydraulic Assembly
422624	Raceway Assembly

1-72800

4  
B

DISCHARGE ASSEMBLY  
H426C-EB-IV & FULL (BALANCE)



## DISCHARGE ASSEMBLY

### H426C-EB-IV & FULL (BALANCE)

ITEM NO.	PART NO.	DESCRIPTION
1	7-230486	Copper Tube Nipple
2	94-230486	Copper Tube Nipple
3	1-231856	Discharge Tube Bracket
4	13-313235	Gasket
5	1-321154	Down Pipe Bracket
6	1-422641	Fuel Discharge Tube
7	1-422642	Fuel Discharge Tube
8	2-422689	Vapor Outlet Tube
9	1-422707	Fuel Discharge Tube
10	1-422706	Fuel Discharge Tube
11	335-50510	1-1/2" x 81-1/2" Long Pipe
12	03-50611	5/16 Plate Washer
13	06-51700	1" x 90° Elbow - Banded
14	39-52198	5/16-18 x 1" Long Carriage Bolt
15	02-54752	5/16-18 M-F Flange Whiz Lock Nut
16	35-55132	5/16-18 x 5/8" Long M-F Flange Whiz Lock Screw
17	69-55392	1/4 x 1/2" Long Hex Washer Head Tapping Screw
18		<u>For parts call out of Meter &amp; Hydraulics Assembly see 72729.</u>
19		<u>For parts call out of Chassis Assembly see 72724.</u>
20		<u>For parts call out of Outlet Adapter Assembly see 72752.</u>
21		<u>For parts call out of Outlet Adapter Assembly see 72760.</u>

Reference for Tokheim internal use only:

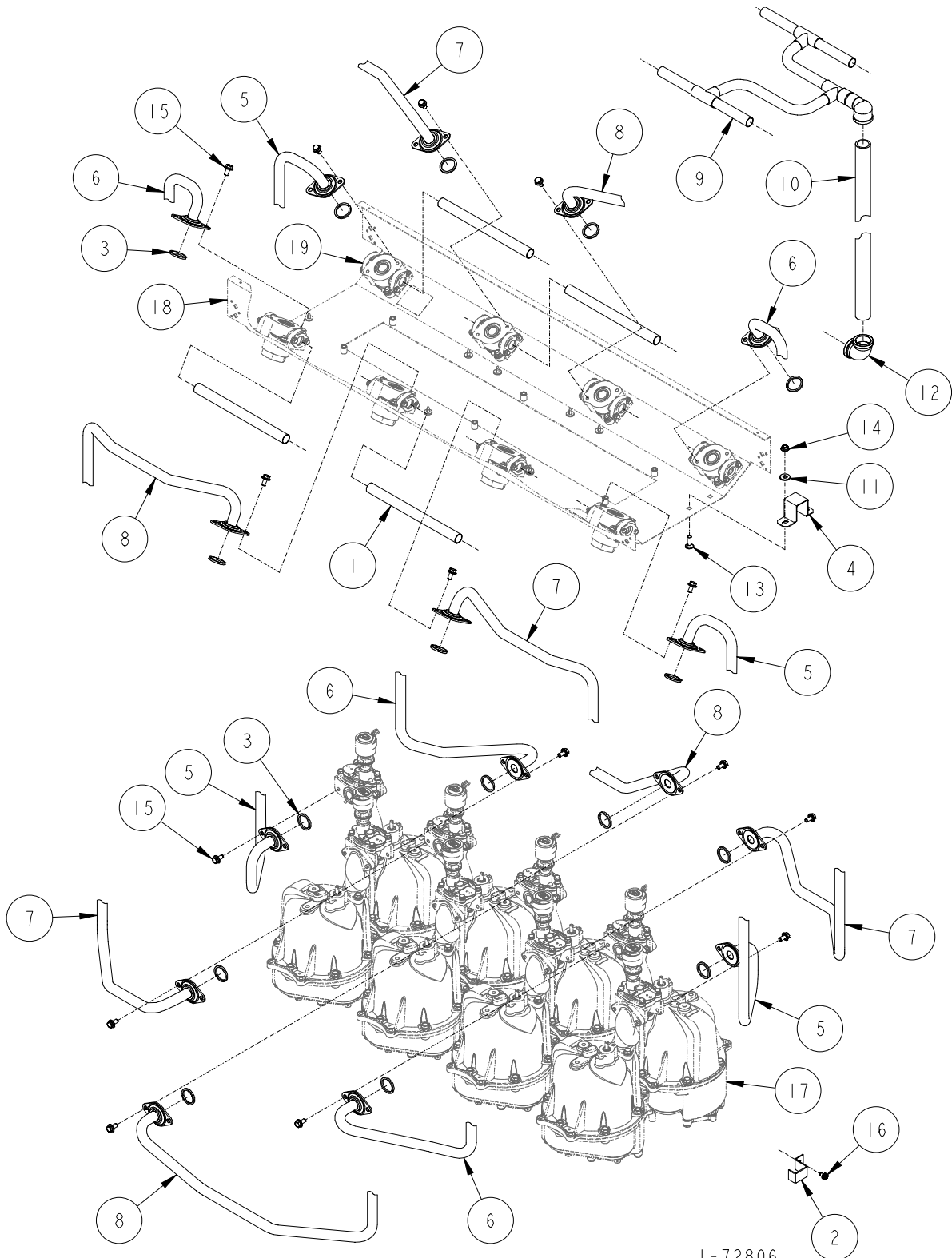
321170	Fuel Tube Hydraulic Assembly
422624	Raceway Assembly

1-72804



# **DISCHARGE ASSEMBLY**

H428C-IV & Full (Balance) & H428D-IV & Full (Balance)



1-72806

**DISCHARGE ASSEMBLY****H428C-IV & Full (Balance) & H428D-IV & Full (Balance)**

ITEM NO.	PART NO.	DESCRIPTION
1	7-230486	Copper Tube Nipple
2	1-231856	Discharge Tube Bracket
3	13-313235	Gasket
4	1-321154	Down Pipe Bracket
5	1-422641	Fuel Discharge Tube
6	1-422642	Fuel Discharge Tube
7	1-422694	Fuel Discharge Tube
8	1-422695	Fuel Discharge Tube
9	1-422689	Vapor Outlet Tube
10	335-50510	1-1/2" x 81-1/2" Long Pipe
11	03-50611	5/16 Plate Washer
12	06-51700	1" x 90° Elbow - Banded
13	39-52198	5/16-18 x 1" Long Carriage Bolt
14	02-54752	5/16-18 M-F Flange Whiz Lock Nut
15	35-55132	5/16-18 x 5/8" Long M-F Flange Whiz Lock Screw
16	69-55392	1/4 x 1/2" Long Hex Washer Head Tapping Screw
17	<u>For parts call out of Meter &amp; Hydraulics Assembly see 72726.</u>	
18	<u>For parts call out of Chassis Assembly see 72724.</u>	
19	<u>For parts call out of Outlet Adapter Assembly see 72752.</u>	

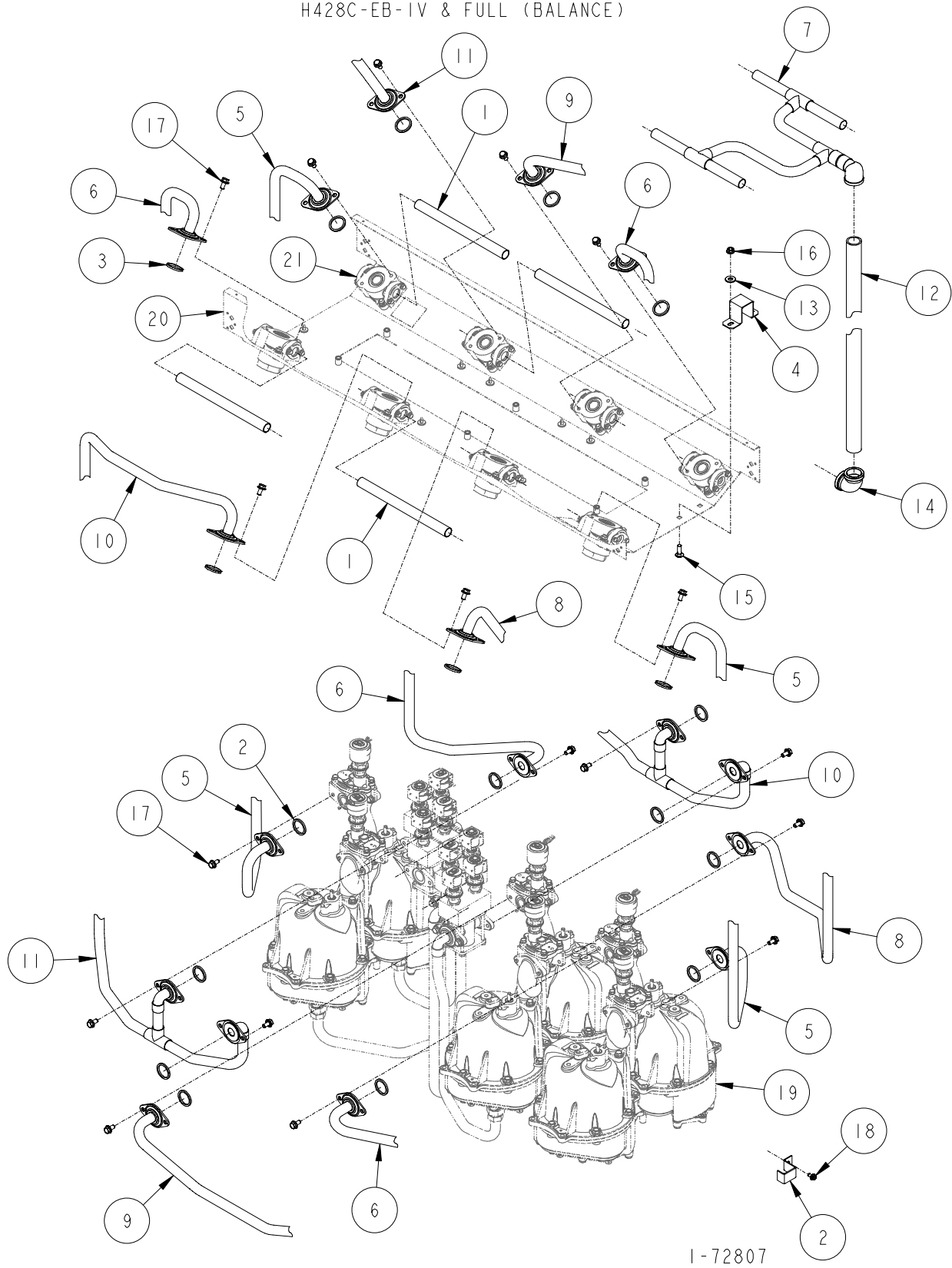
Reference for Tokheim internal use only:

321170	Fuel Tube Hydraulic Assembly
422624	Raceway Assembly

1-72806

4  
B

DISCHARGE ASSEMBLY  
H428C-EB-IV & FULL (BALANCE)



1-72807

---

**DISCHARGE ASSEMBLY**  
**H428C-EB-IV & FULL (BALANCE)**

---

ITEM NO.	PART NO.	DESCRIPTION
1	7-230486	Copper Tube Nipple
2	1-231856	Discharge Tube Bracket
3	13-313235	Gasket
4	1-321154	Down Pipe Bracket
5	1-422641	Fuel Discharge Tube
6	1-422642	Fuel Discharge Tube
7	1-422689	Vapor Outlet Tube
8	1-422694	Fuel Discharge Tube
9	1-422720	Fuel Discharge Tube
10	1-422721	Fuel Discharge Tube
11	1-422722	Fuel Discharge Tube
12	335-50510	1-1/2" x 81-1/2" Long Pipe
13	03-50611	5/16 Plate Washer
14	06-51700	1" x 90° Elbow - Banded
15	39-52198	5/16-18 x 1" Long Carriage Bolt
16	02-54752	5/16-18 M-F Flange Whiz Lock Nut
17	35-55132	5/16-18 x 5/8" Long M-F Flange Whiz Lock Screw
18	69-55392	1/4 x 1/2" Long Hex Washer Head Tapping Screw
19	<u>For parts call out of Meter &amp; Hydraulics Assembly see 72726.</u>	
20	<u>For parts call out of Chassis Assembly see 72724.</u>	
21	<u>For parts call out of Outlet Adapter Assembly see 72752.</u>	

Reference for Tokheim internal use only:

321170	Fuel Tube Hydraulic Assembly
422624	Raceway Assembly

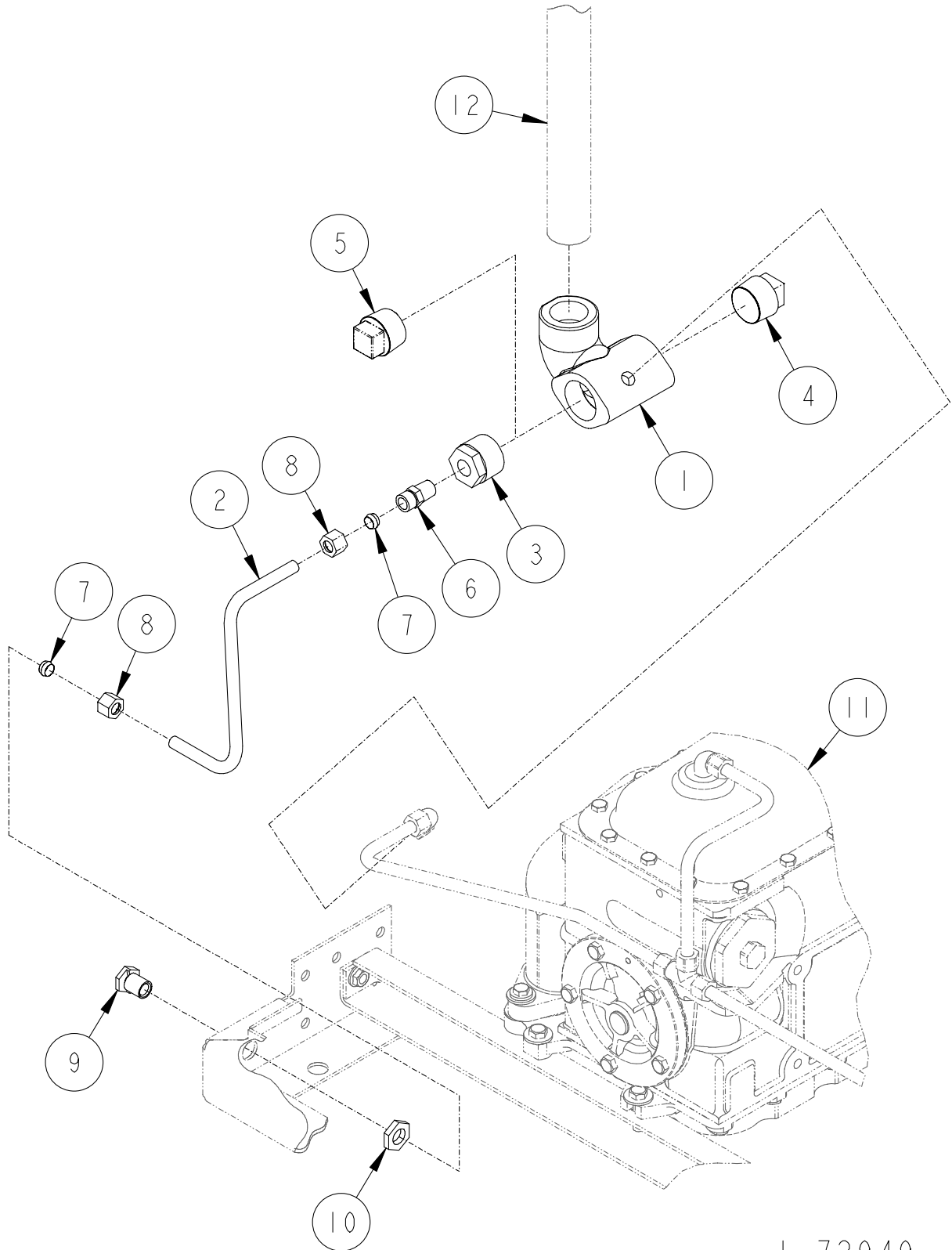
1-72807



4  
B

# **SUCTION VAPOR ASSEMBLY**

INTERIM & FULL (BALANCE)



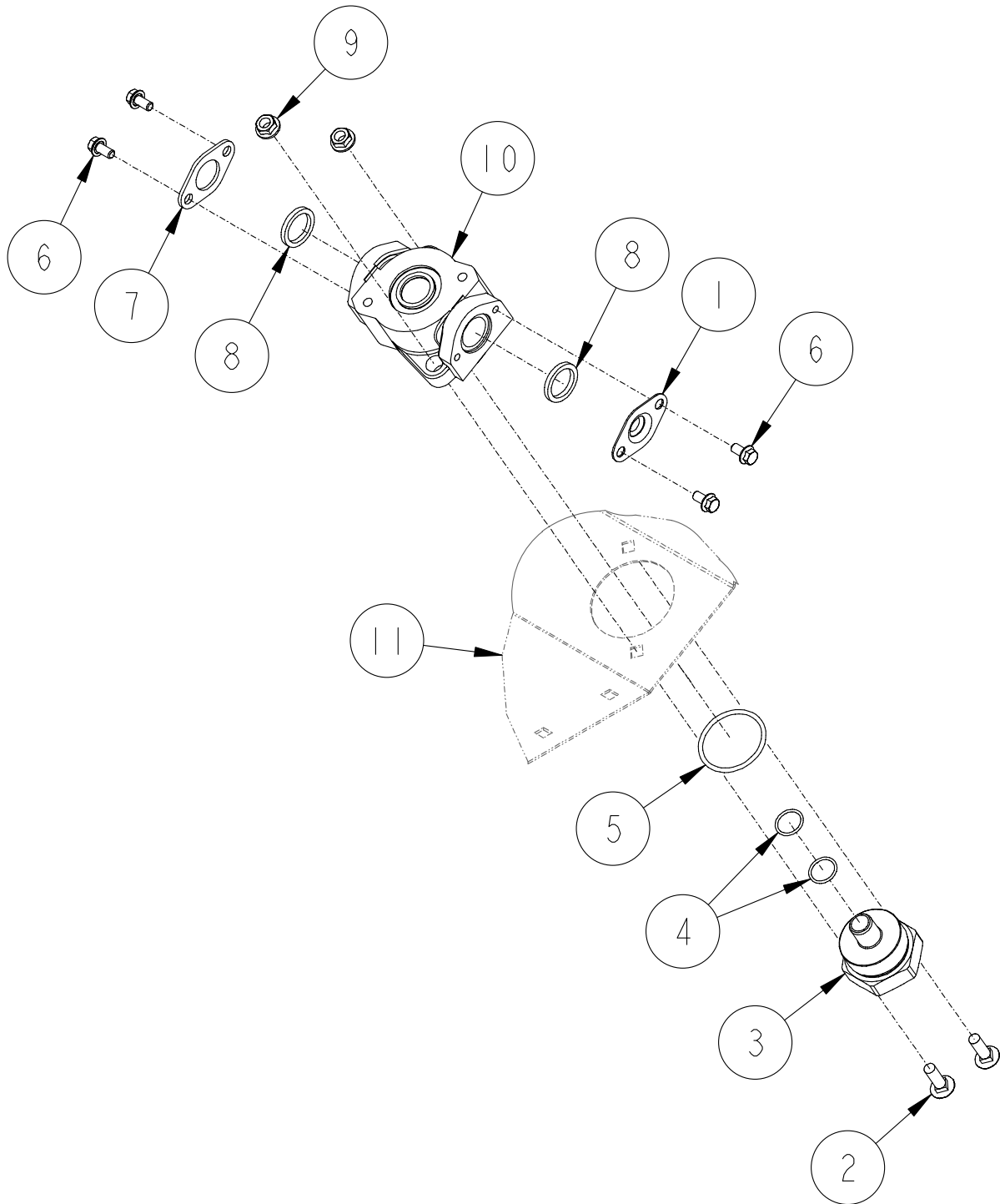
## SUCTION VAPOR ASSEMBLY INTERIM & FULL (BALANCE)

ITEM NO.	PART NO.	DESCRIPTION	ITEM NO.	PART NO.	DESCRIPTION
1	2-319405	Offset Tee	12	<u>For parts call out of Discharge Assembly see:</u>	
2	<u>Vapor Vent Tube</u>		72739	H311C, H311D	
	1-233739	30"	72741	H312C, H312D	
	1-321347	45"	72743	H322C, H322D	
3	14-51852	1" x 1/4" Hex Bushing	72745	H322C-B3/5	
4	06-51900	1" Pipe Plug	72747	H324C, H324D	
5	06-51900	1" Pipe Plug	72797	H422C, H422D	
6	05-52010	Compression Connector	72798	H422C-B3/5	
7	05-52040	Compression Sleeve	72799	H413C, H413D	
8	14-52040	Compression Nut	72800	H426C, H426D	
9	8300073	Air Separator Vent	72802	H424C-B3/4-IN/FN	
10	8300074	Air Separator Vent Nut	72803	H424C-B3/4+ Diesel	
11	<u>For parts call out of Suction System see:</u>		72804	H426C-EB	
	72897	H311C, H311D & H311C-SB3/5	72805	H414C, H414D	
	72898	H322C, H322D & H322C-SB3/5	72807	H428C-EB	
	72899	H312C & H312D	72936	H422C-B3/5MR	
	72900	H324C & H324D	72940	H424C-B3/4TL-IN/FN	
	72901	H413C & H413D	72941	H424C-B3/4TR-IN/FN	
	72902	H426C & H426D	72942	H413C-EB	
	72903	H424C-SB3/4	<u>Reference for Tokheim internal use only:</u>		
	72904	H428C-SEB	321170	Fuel Tube Hydraulic Assembly (45")	
			321212	Fuel Tube Hydraulic Assembly (30")	

1-72949



# OUTLET ADAPTER ASSEMBLY INTERIM/FULL VAPOR (BALANCE)



2-72752

---

## OUTLET ADAPTER ASSEMBLY

### Interim/Full Vapor (Balance)

---

## ITEM PART

NO.	NO.	DESCRIPTION
-----	-----	-------------

---

- |    |  |   |
|----|--|---|
| 1  | 1-231836   | Vapor Cap                                     |
| 2  | 39-52198   | 5/16-18 x 1" Long Carriage Bolt               |
| 3  | <u>Outlet Adapter</u>                              |   |
|    | 1-227838   | 3/4" Non-Swivel (Interim Vapor only)          |
|    | 1-232274   | Flow Inverted (MaxVac only)                   |
| 4  | 11-318940  | "O" Ring (MaxVac only)                        |
| 5  | 27-318940  | "O" Ring (Interim Vapor & MaxVac only)        |
| 6  | 05-55132   | 1/4-20 x 1/2" Long M-F Flange Whiz Lock Screw |
| 7  | 1-132494   | Vapor Flange                                  |
| 8  | 13-313235  | Gasket  |
| 9  | 02-54752   | 5/16-18 M-F Flange Whiz Lock Nut              |
| 10 | 1-422007   | Outlet Adapter                                |
| 11 | <u>For parts call out of Chassis Assembly see:</u> |   |
|    | 72779  | H300C & H300D Series                          |
|    | 72724  | H400C & H400D Series                          |

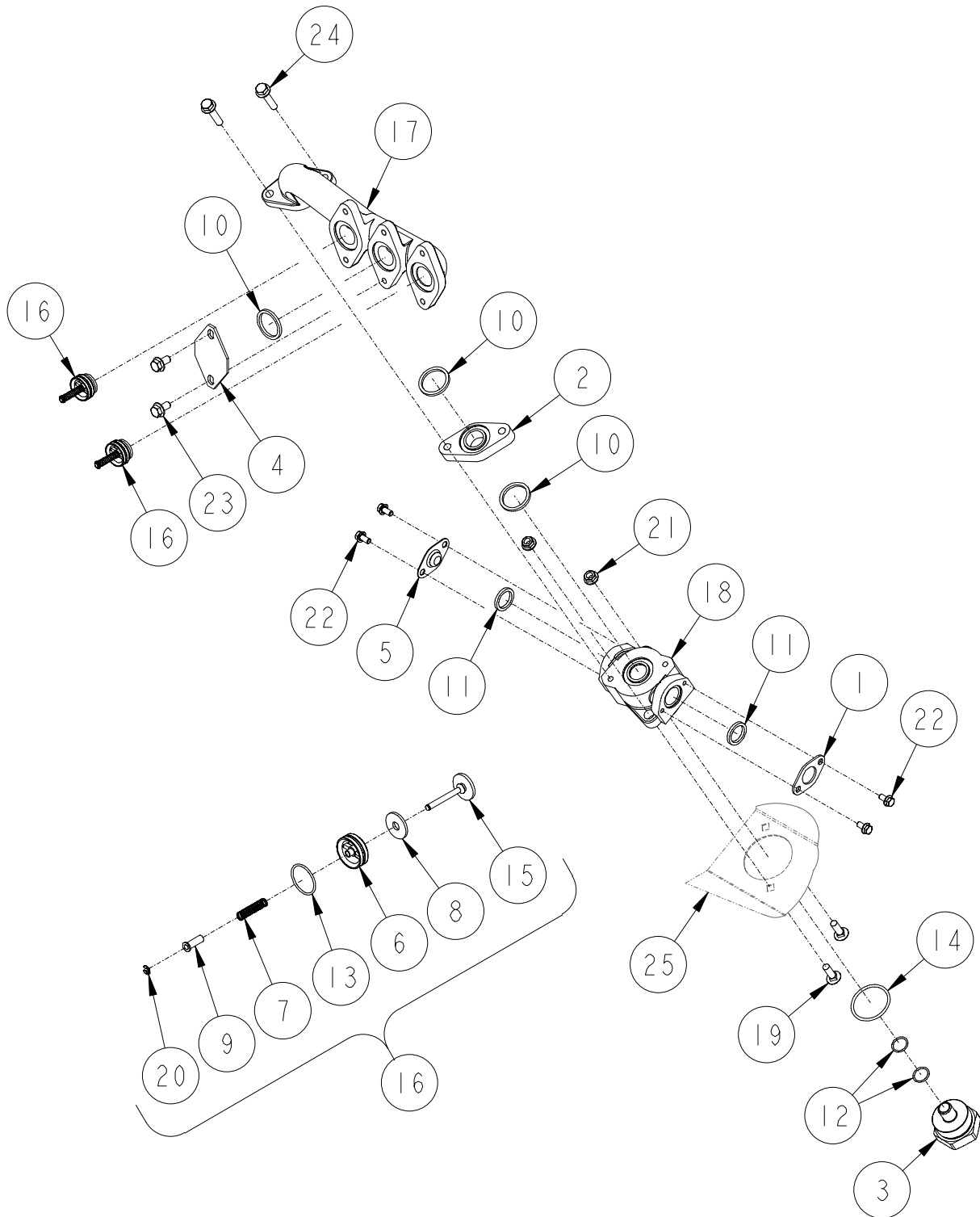
Reference for Tokheim internal use only:

- |        |   |
|--------|---|
| 422624 | Raceway Assembly (H400C & H400D Series) |
| 422740 | Raceway Assembly (H300C & H300D Series) |

2-72752



# OUTLET ADAPTER ASSEMBLY INTERIM/FULL VAPOR (BALANCE)



3-72760

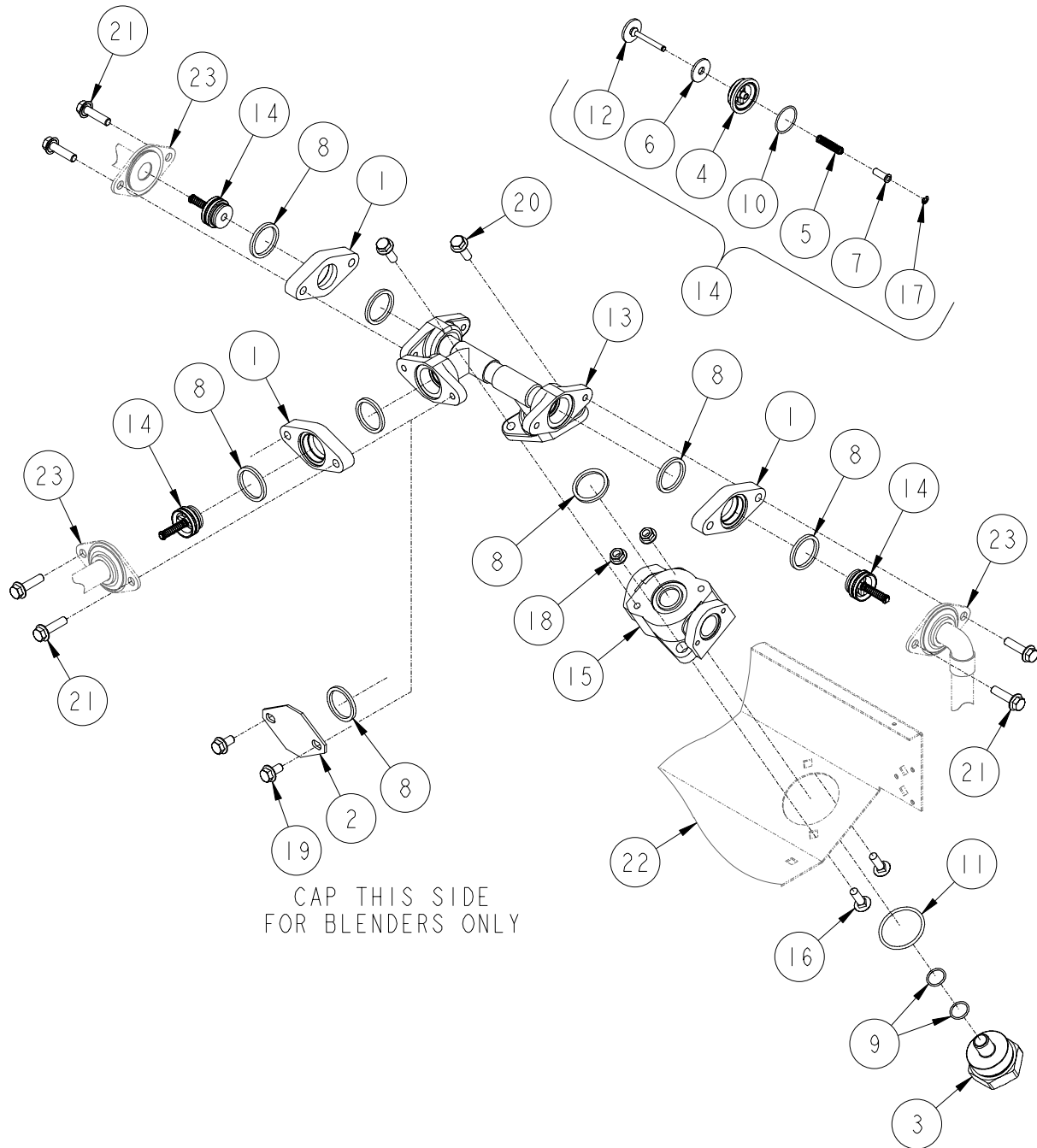
## OUTLET ADAPTER ASSEMBLY INTERIM/FULL VAPOR (BALANCE)

ITEM NO.	PART NO.	DESCRIPTION	ITEM NO.	PART NO.	DESCRIPTION
1	1-132494	Vapor Flange	17	<u>Outlet Manifold</u>	
2	4-227299	Flange (Used with old Outlet Manifold 1-421962 only)		1-421962	Old Design (No longer used)
				1-423000	New Design
3	<u>Outlet Adapter</u>		18	1-422007	Outlet Adapter
	1-227838	3/4" Non-Swivel	19	39-52198	5/16-18 x 1" Long Carriage Bolt
	1-232274	Flow Inverted (MaxVac Only)	20	05-52482	Truarc Retaining Ring
4	1-228345	Manifold Cap	21	02-54752	5/16-18 M-F Flange Whiz Lock Nut
5	1-231836	Vapor Cap	22	05-55132	1/4-20 x 1/2" Long M-F Flange Whiz Lock Screw
6	<u>Check Valve Seat</u>		23	35-55132	5/16-18 x 5/8" Long M-F Flange Whiz Lock Screw
	1-233801	All models except Canada	24	41-55132	M-F Flange Whiz Lock Screw
	2-233801	Canada			
7	1-233802	Spring	25	<u>For parts call out of Chassis Assembly see:</u>	
8	1-233805	Poppet Seal		72779	H300C Series
9	1-233807	Stem Sleeve		72724	H400C Series
10	13-313235	Gasket			
11	20-313235	Gasket			
12	11-318940	"O" Ring (MaxVac only)			
13	18-318940	"O" Ring			
14	27-318940	"O" Ring			
15	<u>Poppet Assembly</u>				
	1-321451	All models except Canada		422740	Raceway Assembly (H300C & H300D Series)
	2-321451	Canada			
16	<u>Check Valve Assembly</u>				
	321452-1	All models except Canada			
	321452-2	Canada			

4  
B

3-72760

OUTLET ADAPTER ASSEMBLY  
(INTERIM / FULL BALANCE VAPOR)



2-72819

## OUTLET ADAPTER ASSEMBLY

### INTERIM / FULL (BALANCE)

ITEM NO.	PART NO.	DESCRIPTION	ITEM NO.	PART NO.	DESCRIPTION
1	5-227299	Flange	17	05-52482	Truarc Retaining Ring
2	1-228345	Manifold Cap	18	02-54752	5/16-18 M-F Flange Whiz Lock Nut
3	<u>Outlet Adapter</u>		19	35-55132	5/16-18 x 5/8" Long M-F Flange Whiz Lock Screw
	1-227838	3/4" Non-Swivel	20	38-55132	5/16-18 x 1" Long M-F Flange Whiz Lock Screw
	1-232274	Flow Inverted (MaxVac only)	21	40-55132	5/16-18 x 1-1/4" Long M-F Flange Whiz Lock Screw
4	<u>Check Valve Seat</u>		22	<u>For parts call out of Chassis Assembly see 72724</u>	
	1-233801	All models except Canada	23	<u>For parts call out of Discharge Assembly see:</u>	
	2-233801	Canada		72801	H424C-IV
5	1-233802	Spring		72802	H424C-B3/4-IN/FN
6	1-233805	Poppet Seal		72803	H424C-B3/4+DEISEL-IV
7	1-233807	Stem Sleeve		72936	H422C-B3/5MR
8	13-313235	Gasket		72937	H424C-IN/FN
9	11-318940	"O" Ring (MaxVac only)		72939	H424C/D-TRIN/FN
10	18-318940	"O" Ring		72941	H424C-B3/4TR-IN/FN
11	27-318940	"O" Ring		<u>Reference for Tokheim internal use only:</u>	
12	<u>Poppet Assembly</u>			422624	Raceway Assembly (H400C & H400D Series)
	1-321451	All models except Canada			
	2-321451	Canada			
13	1-321491	Manifold Assembly			
14	<u>Check Valve Assembly</u>				
	321452-1	All models except Canada			
	321452-2	Canada			
15	1-422007	Outlet Adapter			
16	39-52198	5/16-18 x 1" Long Carriage Bolt			

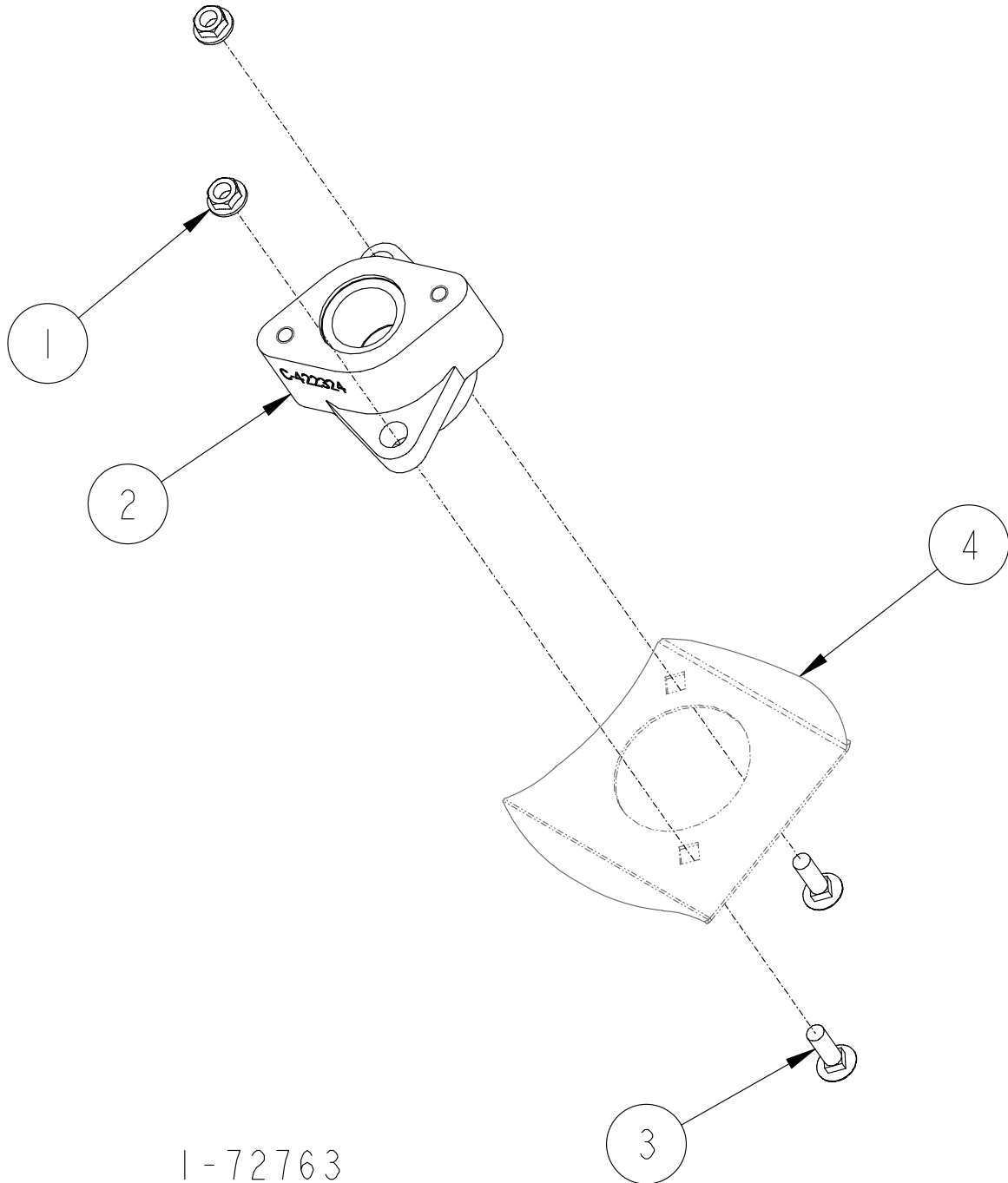
2-72819



---

# **OUTLET ADAPTER ASSEMBLY**

NON VAPOR



---

## OUTLET ADAPTER ASSEMBLY

### (NON VAPOR)

---

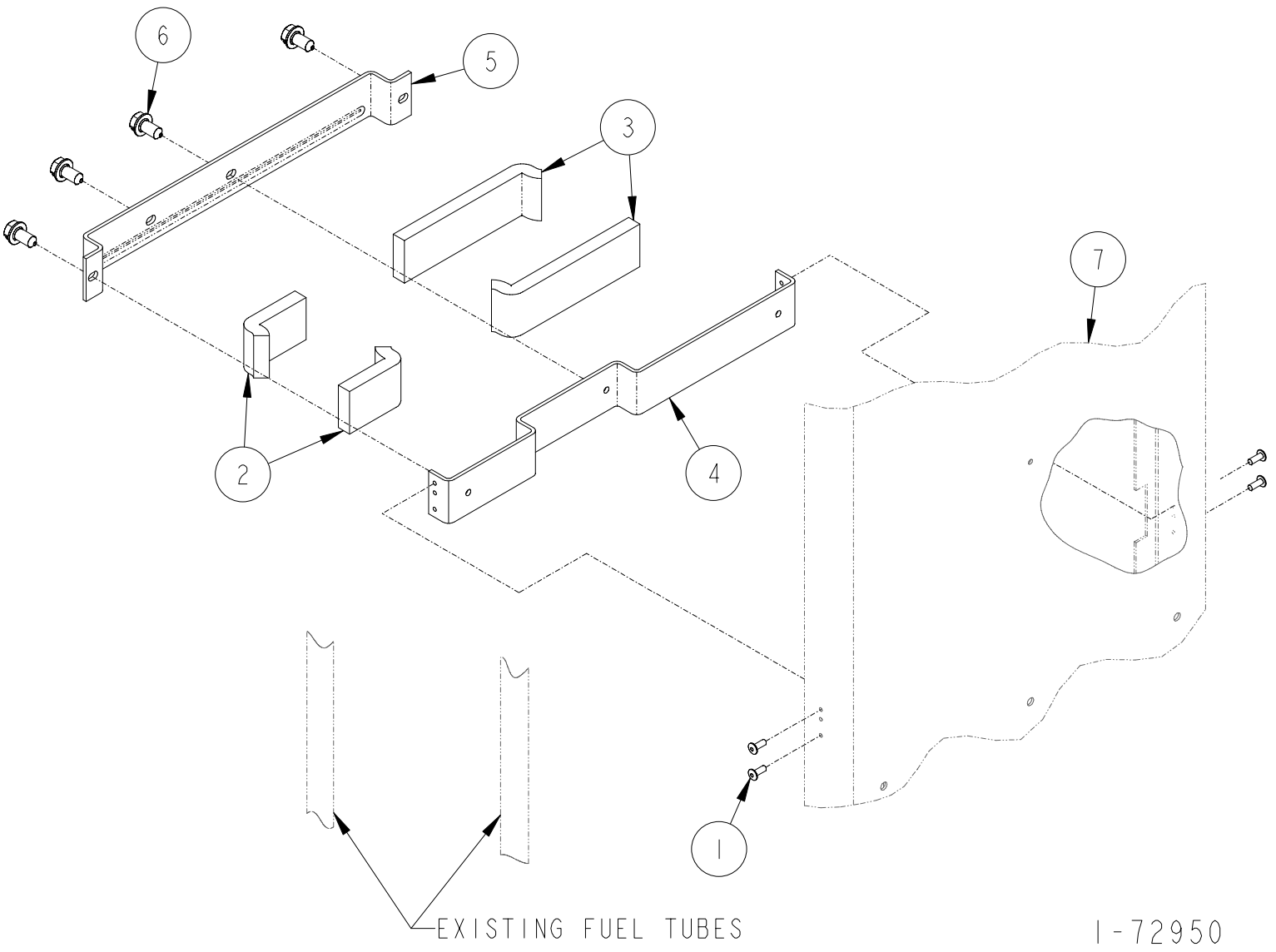
ITEM NO.	PART NO.	DESCRIPTION
1	02-54752	5/16-18 M-F Flange Whiz Lock Nut
2	<u>Outlet Adapter</u>	
	1-422324	3/4"
	2-422324	1"
3	39-52198	5/16-18 x 1" Long Carriage Bolt
4	<u>For parts call out of Chassis Assembly see:</u>	
	72779	H300C & H300D Series
	72724	H400C & H400D Series
	<u>Reference for Tokheim internal use only:</u>	
	422624	Raceway Assembly (H400C & H400D Series)
	422740	Raceway Assembly (H300C & H300D Series)



4  
B

1-72763

# FUEL TUBE CLAMP ASSEMBLY



## FUEL TUBE CLAMP ASSEMBLY

ITEM NO.	PART NO.	DESCRIPTION
1	2-128281	Rivet
2	15-317638	Cushion
3	49-317638	Cushion
4	1-321415	Tube Bracket
5	1-321416	Tube Holder
6	69-55392	1/4 x 1/2" Long Hex Washer Head Tapping Screw

7 For parts call out of Chassis Assembly see:

72779          45"

72724          30"

Reference for Tokheim internal use only:

321170          45"

321212          30"

1-72950



# SECTION

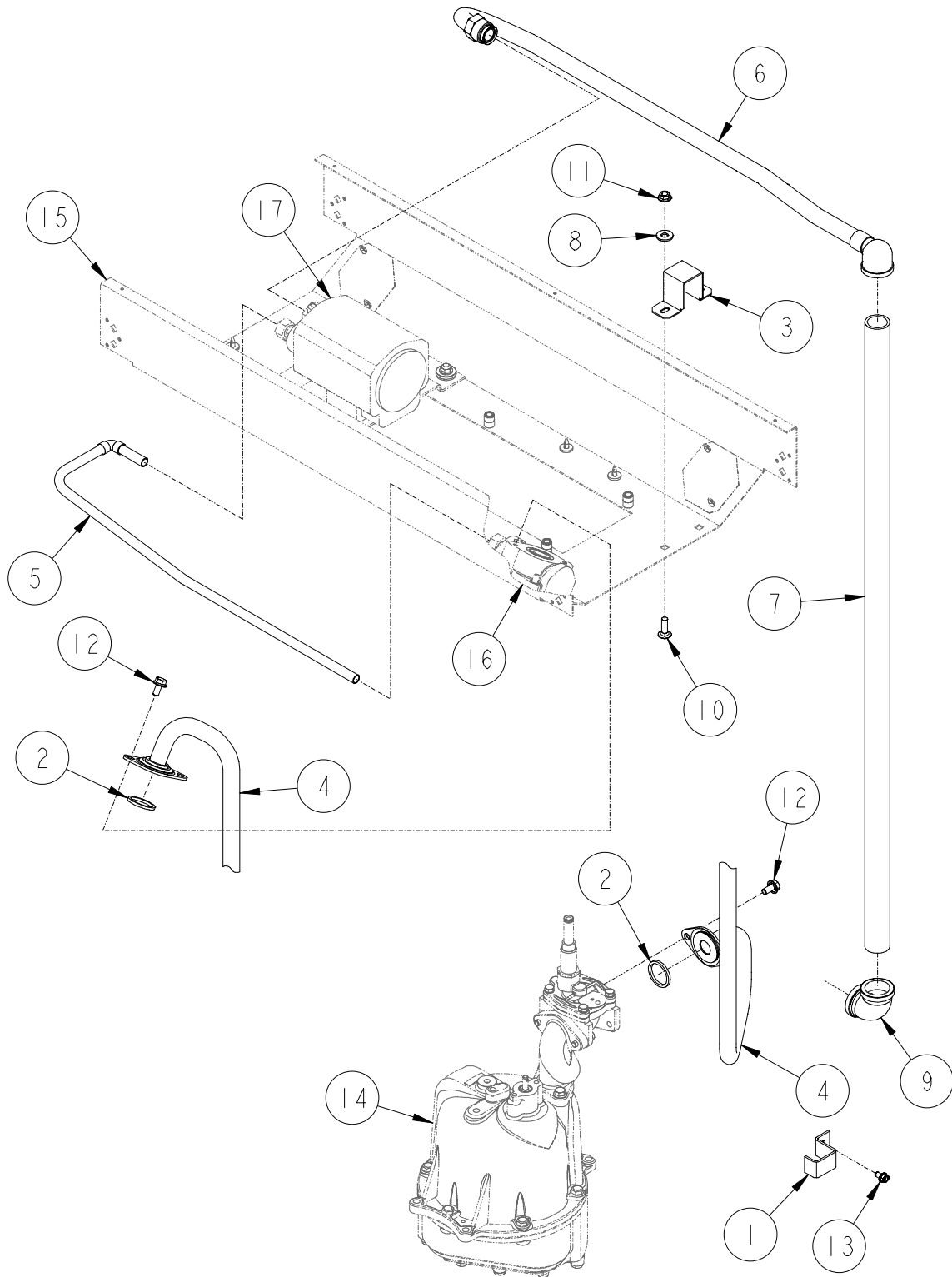
# 4C

## 898 Discharge Hydraulics (Max Vac)

	Page Number		Page Number
<u>Discharge Assembly</u>		<u>Discharge Assembly (Continued)</u>	
H311C & H311D .....	4C-2, 4C-3	H426C-EB .....	4C-54, 4C-55
These pages reserved for future use .....	4C-4, 4C-5	H428C & H428D .....	4C-56, 4C-57
H312C & H312D .....	4C-6, 4C-7	H428C-EB .....	4C-58, 4C-59
H322C & H322D .....	4C-8, 4C-9	<u>Outlet Adapter Assembly</u>	
H322C-B3/5 .....	4C-10, 4C-11	H311C, H312C, H322C, H324C, H413C, H424C, H424C-B3/4, H424C-B3/4+DIESEL, H426C, H426C-EB, H428C, H428C-EB, H311D, H312D, H322D, H324D, H413D, H424D, H426D, H428D .....	4C-60, 4C-61
H324C & H324D .....	4C-12, 4C-13	H322C-B3/5, H422C, H422C-B3/5, H424C, H424C-B3/4, H426C-EB, H422D, H424D .....	4C-62, 4C-63
These pages reserved for future use .....	4C-14, 4C-15	H424C-IV, H424C-B3/4-IV, H424C-B3/4-TLIN/FN, H424C-B3/4-TRIN/FN .....	4C-64, 4C-65
H411C-B3/5 .....	4C-16, 4C-17	Non Vapor .....	4C-66, 4C-67
These pages reserved for future use .....	4C-18—4C-25	MaxVac Assembly .....	4C-68, 4C-69
H413C & H413D .....	4C-26, 4C-27	Fuel Tube Clamp Assembly .....	4C-70, 4C-71
H413C-EB .....	4C-28—4C-29		
These pages reserved for future use .....	4C-30—4C-33		
H422C & H422D .....	4C-34, 4C-35		
H422C-B3/5 .....	4C-36, 4C-37		
H424C & H424D .....	4C-38, 4C-39		
H424C-TL & H424D-TL ...	4C-40, 4C-41		
H424C-TR & H424D-TR ...	4C-42, 4C-43		
H424C-B3/4 .....	4C-44, 4C-45		
H424C-B3/4-TL .....	4C-46, 4C-47		
H424C-B3/4-TR .....	4C-48, 4C-49		
H424C-B3/4-MN .....	4C-50, 4C-51		
H426C & H426D .....	4C-52, 4C-53		

# **DISCHARGE ASSEMBLY**

H311C-MV & H311D-MV



1-72740

## DISCHARGE ASSEMBLY

### H311C-MV & H311C-MV

ITEM NO.	PART NO.	DESCRIPTION
1	1-231856	Discharge Tube Bracket
2	13-313235	Gasket
3	1-321154	Down Pipe Bracket
4	1-422641	Fuel Discharge Tube
5	2-422735	Vapor Outlet Tube
6	2-422736	Vapor Outlet Tube
7	335-50510	1-1/2" x 81-1/2" Long Pipe
8	03-50611	5/16 Plate Washer
9	06-51700	1" x 90° Elbow - Banded (Remote Control)
	2-319405	Offset Tee (Suction System)
10	39-52198	5/16-18 x 1" Long Carriage Bolt
11	02-54752	5/16-18 M-F Flange Whiz Lock Nut
12	35-55132	5/16-18 x 5/8" Long M-F Flange Whiz Lock Screw
13	69-55392	1/4 x 1/2" Long Hex Washer Head Tapping Screw
14		<u>For parts call out of Meter &amp; Hydraulics Assembly see 72726.</u>
15		<u>For parts call out of Chassis Assembly see 72779.</u>
16		<u>For parts call out of Outlet Adaptor Assembly see 72753.</u>
17		<u>For parts call ot of MaxVac Pump Assembly see 72751.</u>

Reference for Tokheim internal use only:

321212	Fuel Tube Hydraulic Assembly
422740	Raceway Assembly

1-72740



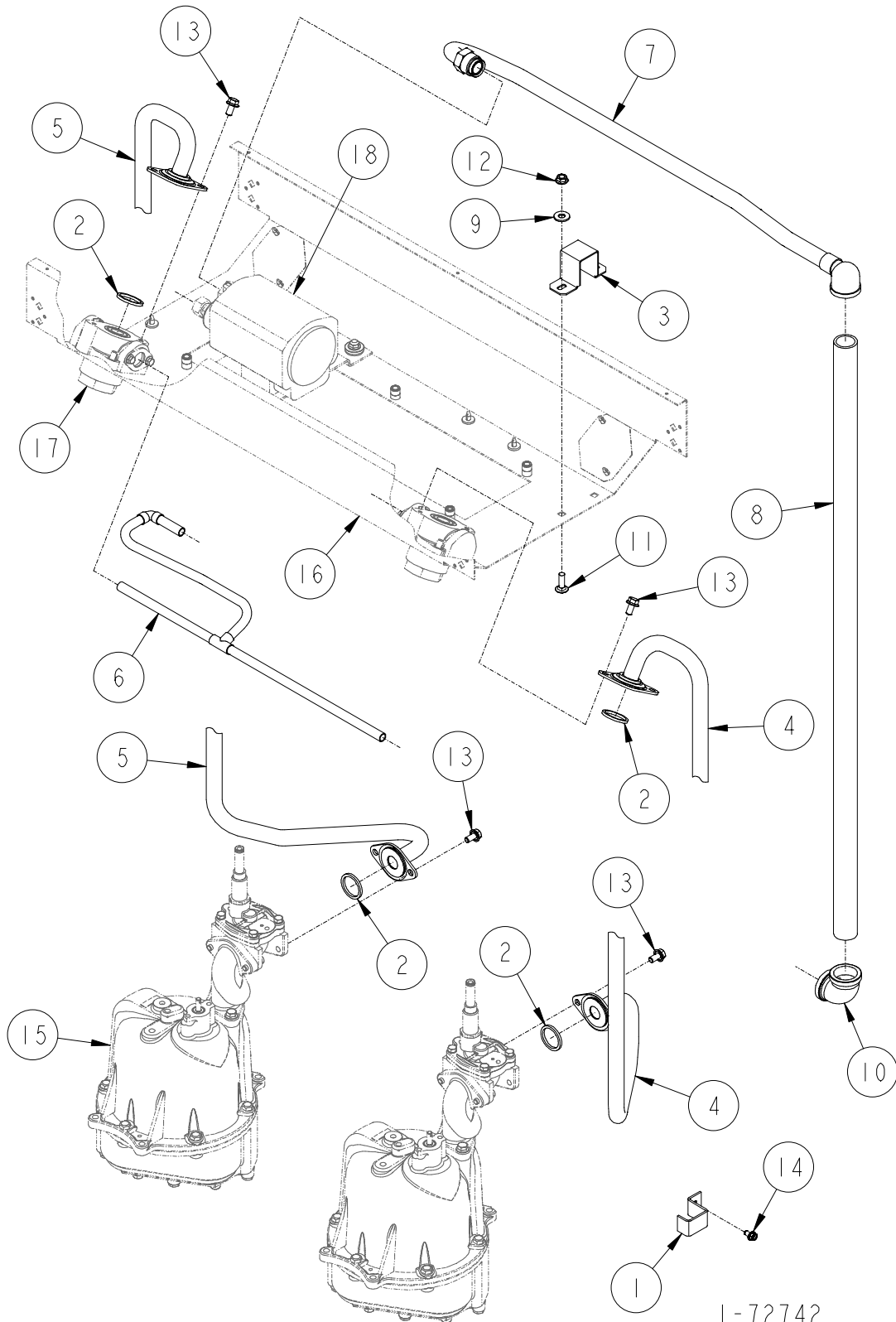
This page reserved for future use.

This page reserved for future use.



# **DISCHARGE ASSEMBLY**

H312C-MV & H312D-MV



1-72742

## DISCHARGE ASSEMBLY

### H312C-MV & H312D-MV

ITEM NO.	PART NO.	DESCRIPTION
1	1-231856	Discharge Tube Bracket
2	13-313235	Gasket
3	1-321154	Down Pipe Bracket
4	1-422641	Fuel Discharge Tube
5	1-422642	Fuel Discharge Tube
6	2-422735	Vapor Outlet Tube
7	2-422736	Vapor Outlet Tube
8	335-50510	1-1/2" x 81-1/2" Long Pipe
9	03-50611	5/16 Plate Washer
10	06-51700 2-319405	1" x 90° Elbow - Banded (Remote Control) Offset Tee (Suction System)
11	39-52198	5/16-18 x 1" Long Carriage Bolt
12	02-54752	5/16-18 M-F Flange Whiz Lock Nut
13	35-55132	5/16-18 x 5/8" Long M-F Flange Whiz Lock Screw
14	69-55392	1/4 x 1/2" Long Hex Washer Head Tapping Screw
15		<u>For parts call out of Meter &amp; Hydraulics Assembly see 72726.</u>
16		<u>For parts call out of Chassis Assembly see 72779.</u>
17		<u>For parts call out of Outlet Adaptor Assembly see 72753.</u>
18		<u>For parts call out of MaxVac Pump Assembly see 72751.</u>

Reference for Tokheim internal use only:

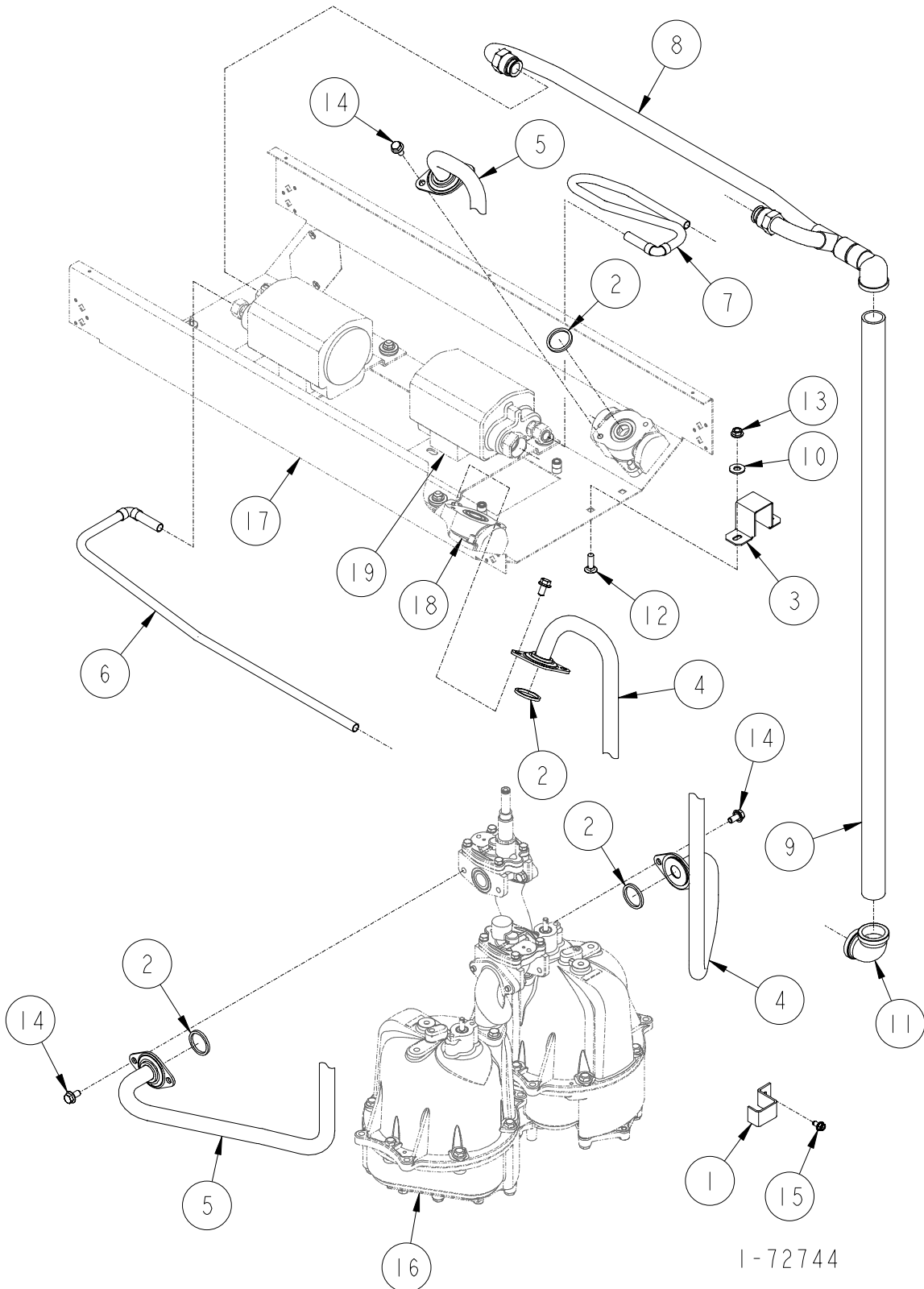
321212      Fuel Tube Hydraulic Assembly  
422740      Raceway Assembly

1-72742

4  
C

# **DISCHARGE ASSEMBLY**

H322C-MV & H322D-MV



## DISCHARGE ASSEMBLY

### H322C-MV & H322D-MV

ITEM NO.	PART NO.	DESCRIPTION
1	1-231856	Discharge Tube Bracket
2	13-313235	Gasket
3	1-321154	Down Pipe Bracket
4	1-422641	Fuel Discharge Tube
5	1-422642	Fuel Discharge Tube
6	2-422735	Vapor Outlet Tube
7	3-422735	Vapor Outlet Tube
8	1-422736	Vapor Outlet Tube
9	335-50510	1-1/2" x 81-1/2" Long Pipe
10	03-50611	5/16 Plate Washer
11	06-51700	1" x 90° Elbow - Banded (Remote Control)
	2-319405	Offset Tee (Suction System)
12	39-52198	5/16-18 x 1" Long Carriage Bolt
13	02-54752	5/16-18 M-F Flange Whiz Lock Nut
14	35-55132	5/16-18 x 5/8" Long M-F Flange Whiz Lock Screw
15	69-55392	1/4 x 1/2" Long Hex Washer Head Tapping Screw
16		<u>For parts call out of Meter &amp; Hydraulics Assembly see 72726.</u>
17		<u>For parts call out of Chassis Assembly see 72779.</u>
18		<u>For parts call out of Outlet Adaptor Assembly see 72753.</u>
19		<u>For parts call out of MaxVac Pump Assembly see 72751.</u>

Reference for Tokheim internal use only:

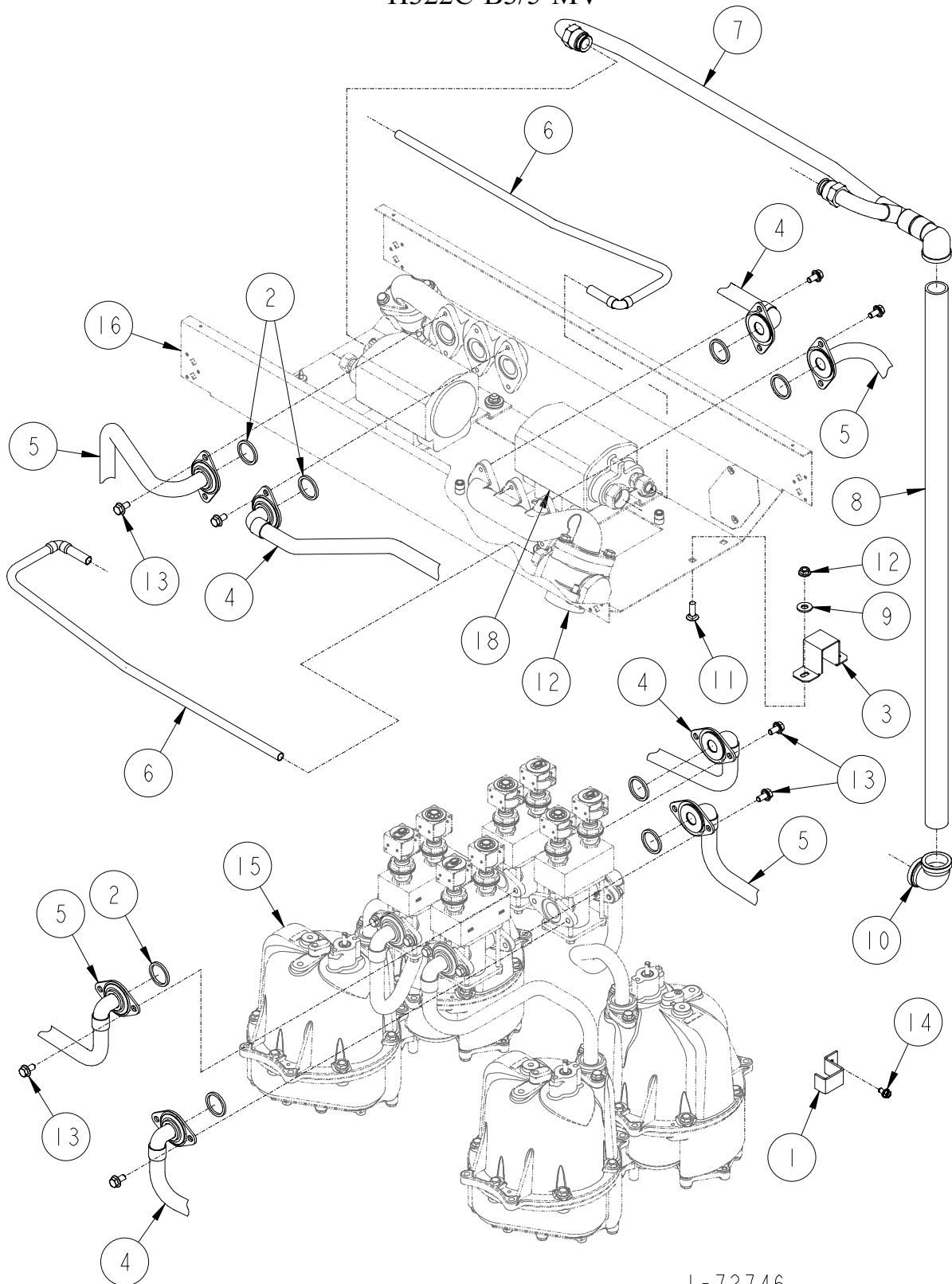
321212	Fuel Tube Hydraulic Assembly
422740	Raceway Assembly

1-72744



# DISCHARGE ASSEMBLY

H322C-B3/5-MV



1-72746

## DISCHARGE ASSEMBLY

### H322C-B3/5-MV

ITEM NO.	PART NO.	DESCRIPTION
1	1-231856	Discharge Tube Bracket
2	13-313235	Gasket
3	1-321154	Down Pipe Bracket
4	1-422696	Fuel Discharge Tube
5	1-422711	Fuel Discharge Tube
6	2-422735	Vapor Outlet Tube
7	1-422736	Vapor Outlet Tube
8	335-50510	1-1/2" x 81-1/2" Long Pipe
9	03-50611	5/16 Plate Washer
10	06-51700	1" x 90° Elbow - Banded (Remote Control)
	2-319405	Offset Tee (Suction System)
11	39-52198	5/16-18 x 1" Long Carriage Bolt
12	02-54752	5/16-18 M-F Flange Whiz Lock Nut
13	35-55132	5/16-18 x 5/8" Long M-F Flange Whiz Lock Screw
14	69-55392	1/4 x 1/2" Long Hex Washer Head Tapping Screw
15		<u>For parts call out of Meter &amp; Hydraulics Assembly see 72726.</u>
16		<u>For parts call out of Chassis Assembly see 72779.</u>
17		<u>For parts call out of Outlet Adaptor Assembly see 72762.</u>
18		<u>For parts call out of MaxVac Pump Assembly see 72751.</u>

Reference for Tokheim internal use only:

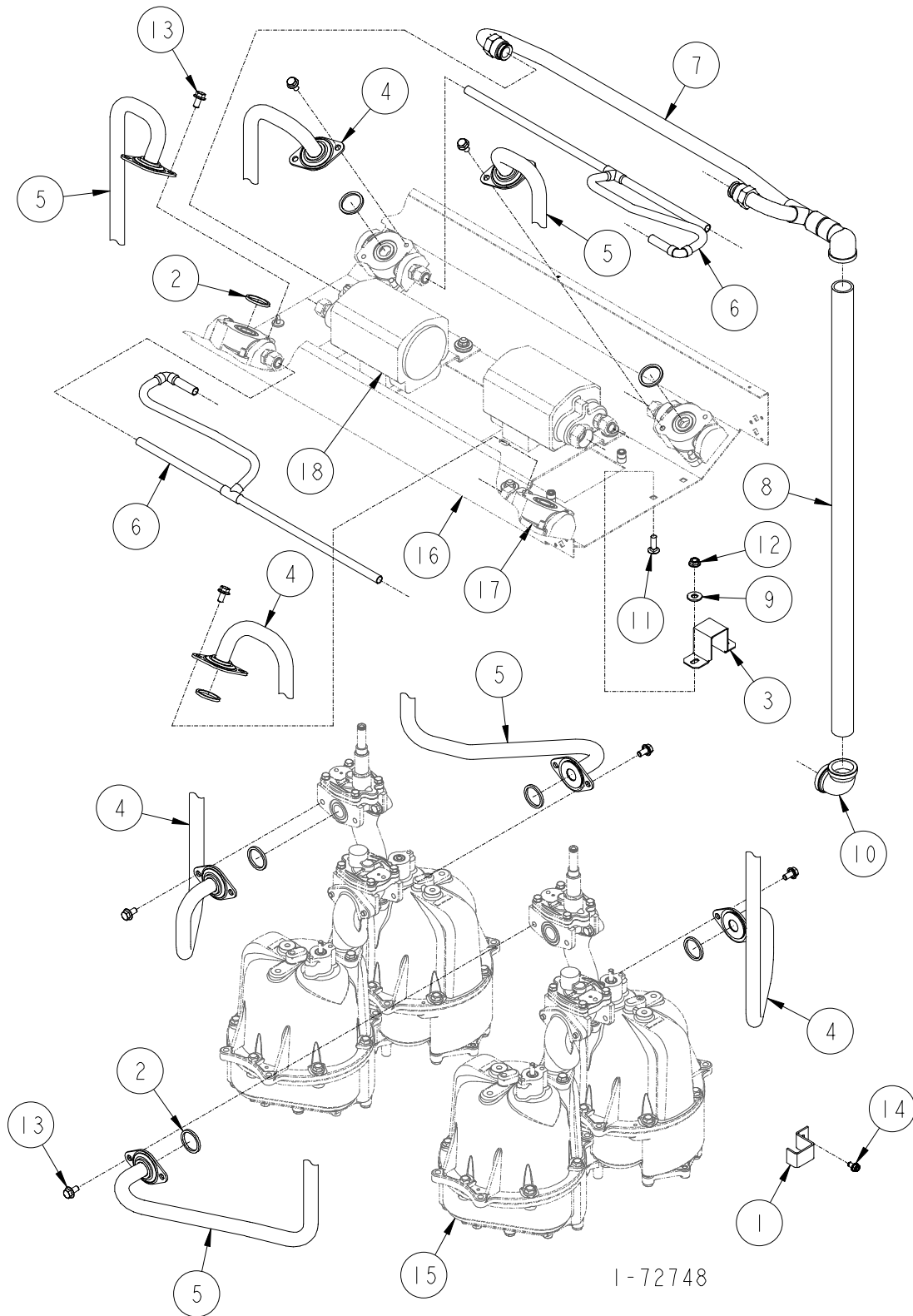
321212      Fuel Tube Hydraulic Assembly  
422740      Raceway Assembly

1-72746

4  
C

# **DISCHARGE ASSEMBLY**

H324C-MV & H324D-MV



1-72748

## DISCHARGE ASSEMBLY

### H324C-MV & H324D-MV

ITEM NO.	PART NO.	DESCRIPTION
1	1-231856	Discharge Tube Bracket
2	13-313235	Gasket
3	1-321154	Down Pipe Bracket
4	1-422641	Fuel Discharge Tube
5	1-422642	Fuel Discharge Tube
6	1-422735	Vapor Outlet Tube
7	1-422736	Vapor Outlet Tube
8	335-50510	1-1/2" x 81-1/2" Long Pipe
9	03-50611	5/16 Plate Washer
10	06-51700	1" x 90° Elbow - Banded (Remote Control)
	2-319405	Offset Tee (Suction System)
11	39-52198	5/16-18 x 1" Long Carriage Bolt
12	02-54752	5/16-18 M-F Flange Whiz Lock Nut
13	35-55132	5/16-18 x 5/8" Long M-F Flange Whiz Lock Screw
14	69-55392	1/4 x 1/2" Long Hex Washer Head Tapping Screw
15		<u>For parts call out of Meter &amp; Hydraulics Assembly see 72726.</u>
16		<u>For parts call out of Chassis Assembly see 72779.</u>
17		<u>For parts call out of Outlet Adaptor Assembly see 72753.</u>
18		<u>For parts call out of MaxVac Pump Assembly see 72751.</u>

Reference for Tokheim internal use only:

321212      Fuel Tube Hydraulic Assembly  
422740      Raceway Assembly

1-72748

4  
C

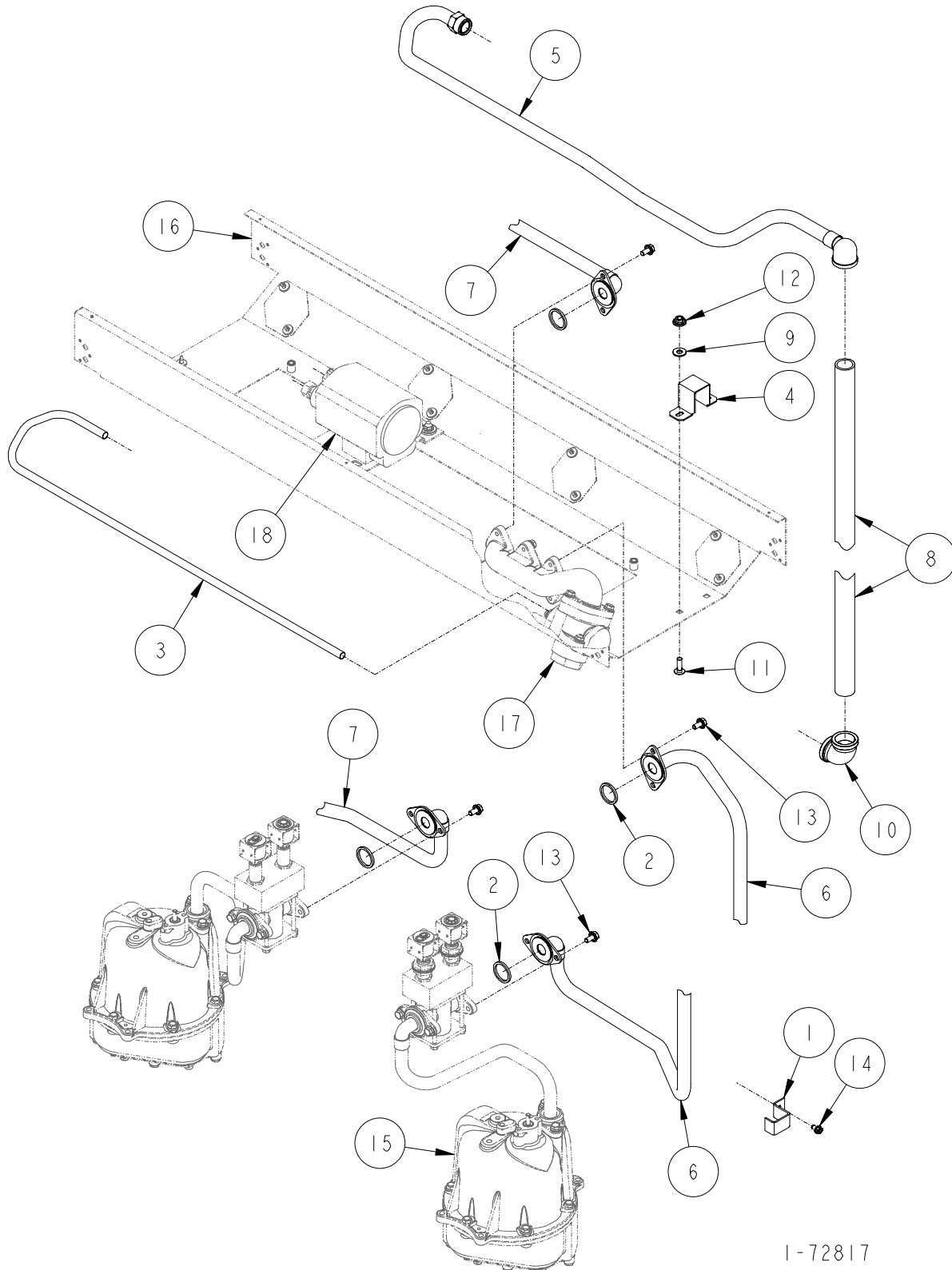
This page reserved for future use.

This page reserved for future use.



# **DISCHARGE ASSEMBLY**

H411C-B3/5-MV



1-72817

## DISCHARGE ASSEMBLY

### H411C-B3/5-MV

ITEM NO.	PART NO.	DESCRIPTION
1	1-231856	Discharge Tube Bracket
2	13-313235	Gasket
3	1-321135	Vapor Inlet Tube
4	1-321154	Down Pipe Bracket
5	2-422630	Vapor Outlet Tube
6	1-422732	Fuel Discharge Tube
7	1-422733	Fuel Discharge Tube
8	335-50510	1-1/2" x 81-1/2" Long Pipe
9	03-50611	5/16 Plate Washer
10	06-51700 2-319405	1" x 90° Elbow - Banded (Remote Control) Offset Tee (Suction System)
11	39-52198	5/16-18 x 1" Long Carriage Bolt
12	02-54752	5/16-18 M-F Flange Whiz Lock Nut
13	35-55132	5/16-18 x 5/8" Long M-F Flange Whiz Lock Screw
14	69-55392	1/4 x 1/2" Long Hex Washer Head Tapping Screw
15		<u>For parts call out of Meter &amp; Hydraulics Assembly see 72728.</u>
16		<u>For parts call out of Chassis Assembly see 72724.</u>
17		<u>For parts call out of Outlet Adapter Assembly see 72762.</u>
18		<u>For parts call out of MaxVac Assembly see 72751.</u>

Reference for Tokheim internal use only:

321170	Fuel Tube Hydraulic Assembly
422624	Raceway Assembly

1-72817



This page reserved for future use.

This page reserved for future use.



This page reserved for future use.

This page reserved for future use.



This page reserved for future use.

This page reserved for future use.



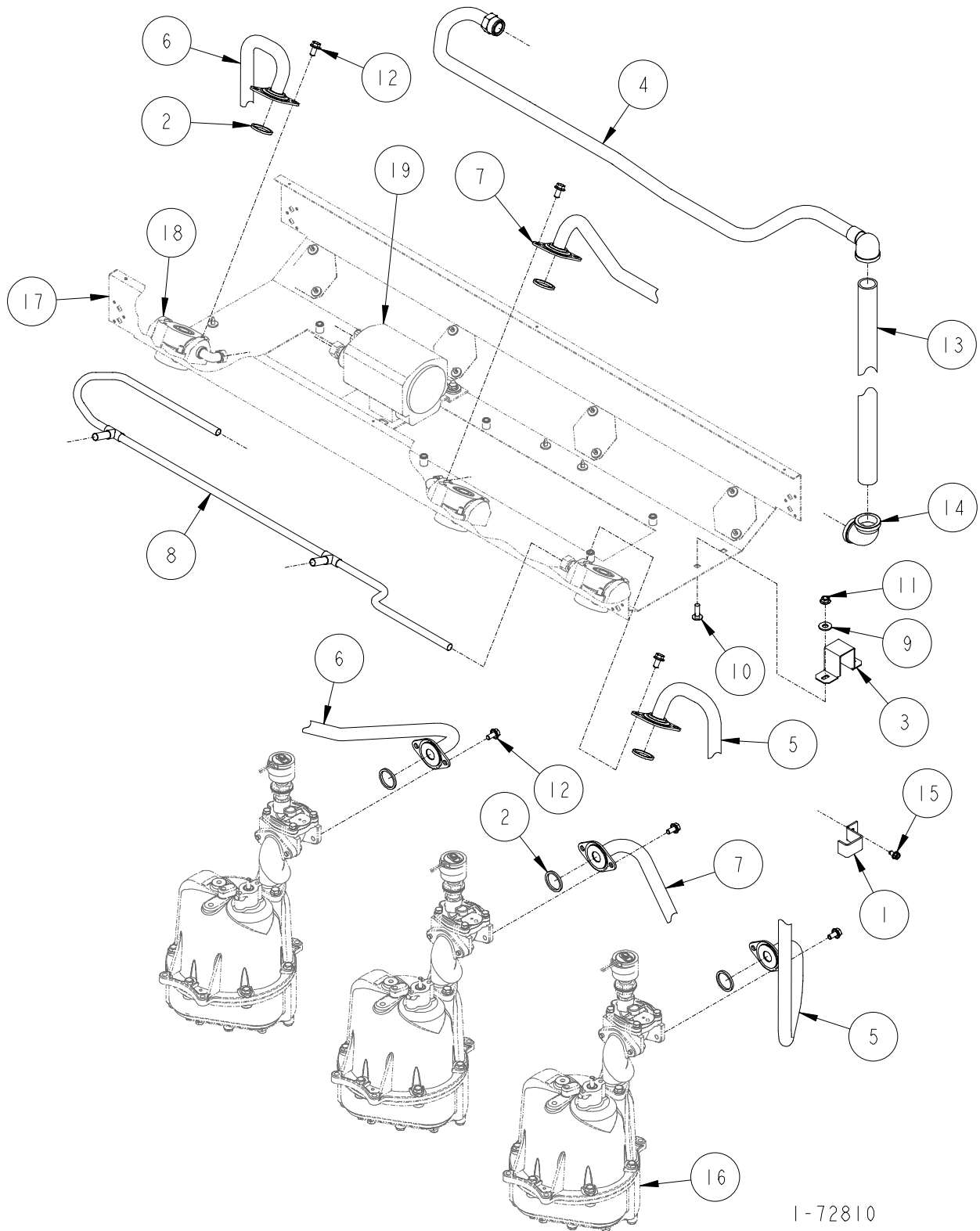
This page reserved for future use.

This page reserved for future use.



# **DISCHARGE ASSEMBLY**

H413C-MV & H413D-MV



I-72810

## DISCHARGE ASSEMBLY

### H413C-MV & H413D-MV

ITEM NO.	PART NO.	DESCRIPTION
1	1-231856	Discharge Tube Bracket
2	13-313235	Gasket
3	1-321154	Down Pipe Bracket
4	2-422630	Vapor Outlet Tube
5	1-422641	Fuel Discharge Tube
6	1-422642	Fuel Discharge Tube
7	1-422643	Fuel Discharge Tube
8	2-422683	Vapor Inlet Manifold
9	03-50611	5/16 Plate Washer
10	39-52198	5/16-18 x 1" Long Carriage Bolt
11	02-54752	5/16-18 M-F Flange Whiz Lock Nut
12	35-55132	5/16-18 x 5/8" Long M-F Flange Whiz Lock Screw
13	335-50510	1-1/2" x 81-1/2" Long Pipe
14	06-51700	1" x 90° Elbow - Banded (Remote Control)
	2-319405	Offset Tee (Suction System)
15	69-55392	1/4 x 1/2" Long Hex Washer Head Tapping Screw
16	<u>For parts call out of Meter &amp; Hydraulics Assembly see 72726.</u>	
17	<u>For parts call out of Chassis Assembly see 72724.</u>	
18	<u>For parts call out of Outlet Adapter Assembly see 72753.</u>	
19	<u>For parts call out of MaxVac Assembly see 72751.</u>	

Reference for Tokheim internal use only:

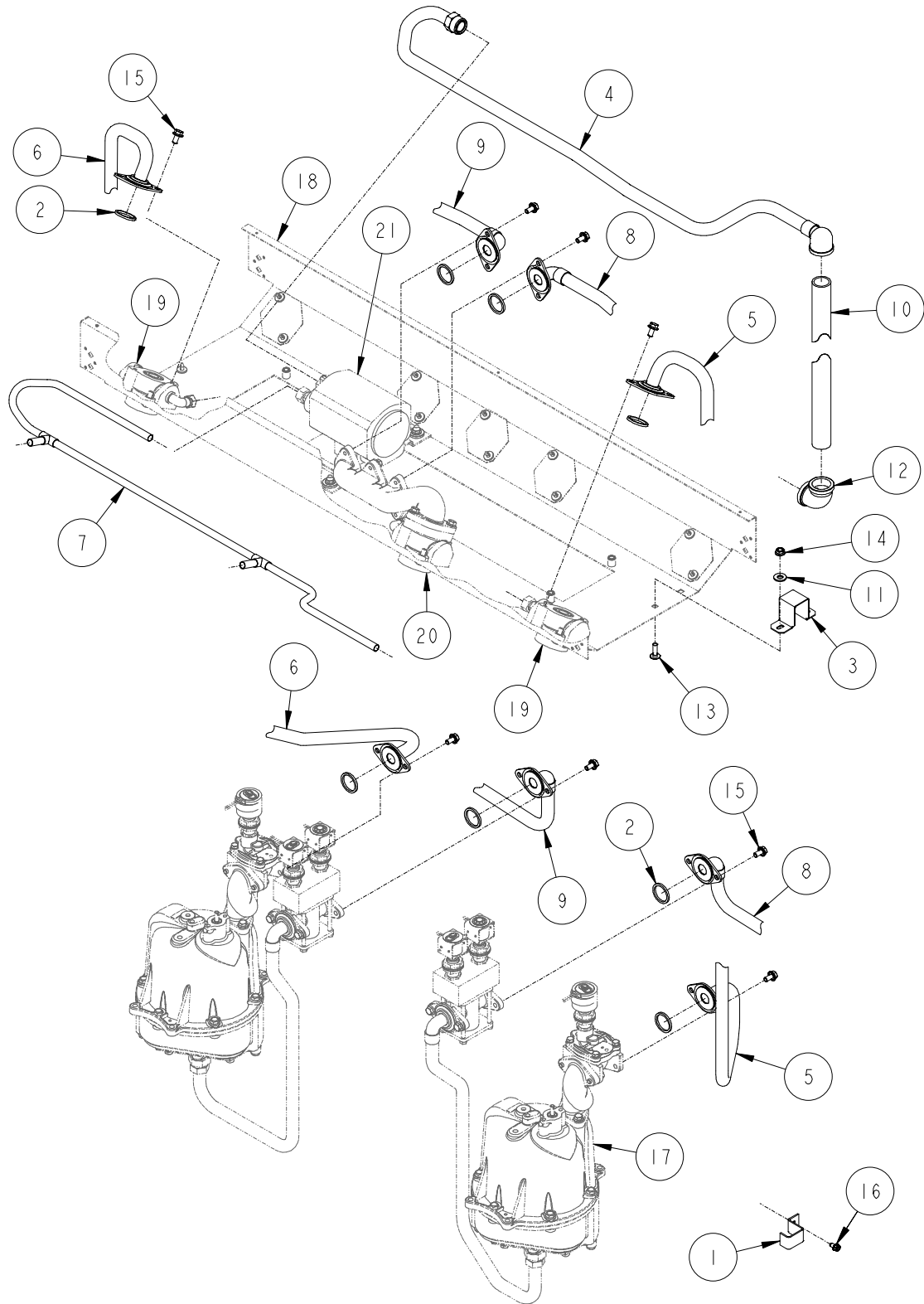
321170	Fuel Tube Hydraulic Assembly
422624	Raceway Assembly

1-72810



# **DISCHARGE ASSEMBLY**

H413C-EB-MV



1-72943

## DISCHARGE ASSEMBLY

### H413C-EB-MV

ITEM NO.	PART NO.	DESCRIPTION
1	1-231856	Discharge Tube Bracket
2	13-313235	Gasket
3	1-321154	Down Pipe Bracket
4	2-422630	Vapor Outlet Tube
5	1-422641	Fuel Discharge Tube
6	1-422642	Fuel Discharge Tube
7	2-422683	Vapor Inlet Manifold
8	1-422706	Fuel Discharge Tube
9	1-422707	Fuel Discharge Tube
10	335-50510	1-1/2" x 81-1/2" Long Pipe
11	03-50611	5/16 Plate Washer
12	06-51700	1" x 90° Elbow - Banded (Remote Control)
	2-319405	Offset Tee (Suction System)
13	39-52198	5/16-18 x 1" Long Carriage Bolt
14	02-54752	5/16-18 M-F Flange Whiz Lock Nut
15	35-55132	5/16-18 x 5/8" Long M-F Flange Whiz Lock Screw
16	69-55392	1/4 x 1/2" Long Hex Washer Head Tapping Screw
17		<u>For parts call out of Meter &amp; Hydraulics Assembly see 72729.</u>
18		<u>For parts call out of Chassis Assembly see 72724.</u>
19		<u>For parts call out of Outlet Adapter Assembly see 72753.</u>
20		<u>For parts call out of Outlet Adapter Assembly see 72762.</u>
21		<u>For parts call out of MaxVac Assembly see 72751.</u>

Reference for Tokheim internal use only:

321170	Fuel Tube Hydraulic Assembly
422624	Raceway Assembly

1-72943

This page reserved for future use.

This page reserved for future use.



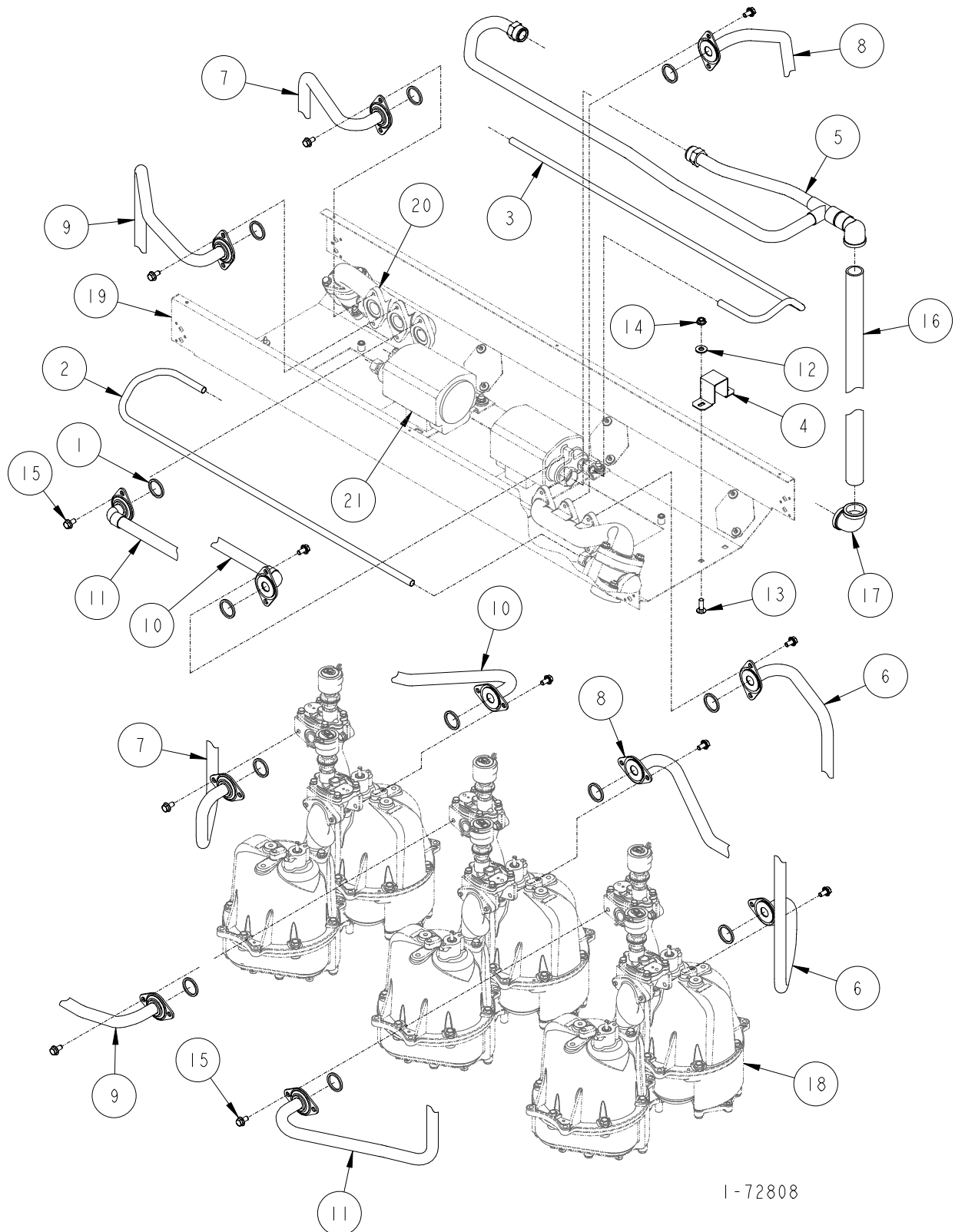
This page reserved for future use.

This page reserved for future use.



# DISCHARGE ASSEMBLY

H422C-MV & H422D-MV



1-72808

## DISCHARGE ASSEMBLY

### H422C-MV & H422D-MV

ITEM NO.	PART NO.	DESCRIPTION
1	13-313235	Gasket
2	1-321135	Vapor Inlet Tube (H422C Side A)
3	1-321135	Vapor Inlet Tube (H422C Side B)
4	1-321154	Down Pipe Bracket
5	1-422630	Vapor Outlet Tube
6	1-422729	Fuel Discharge Tube (H422C Side A)
7	1-422729	Fuel Discharge Tube (H422C Side B)
8	1-422730	Fuel Discharge Tube (H422C Side A)
9	1-422730	Fuel Discharge Tube (H422C Side B)
10	1-422731	Fuel Discharge Tube (H422C Side A)
11	1-422731	Fuel Discharge Tube (H422C Side B)
12	03-50611	5/16 Plate Washer
13	39-52198	5/16-18 x 1" Long Carriage Bolt
14	02-54752	5/16-18 M-F Flange Whiz Lock Nut
15	35-55132	5/16-18 x 5/8" Long M-F Flange Whiz Lock Screw
16	335-50510	1-1/2" x 81-1/2" Long Pipe
17	06-51700	1" x 90° Elbow - Banded (Remote Control)
	2-319405	Offset Tee (Suction System)
18	<u>For parts call out of Meter &amp; Hydraulics Assembly see 72726.</u>	
19	<u>For parts call out of Chassis Assembly see 72724.</u>	
20	<u>For parts call out of Outlet Adapter Assembly see 72762.</u>	
21	<u>For parts call out of MaxVac Assembly see 72751.</u>	

Reference for Tokheim internal use only:

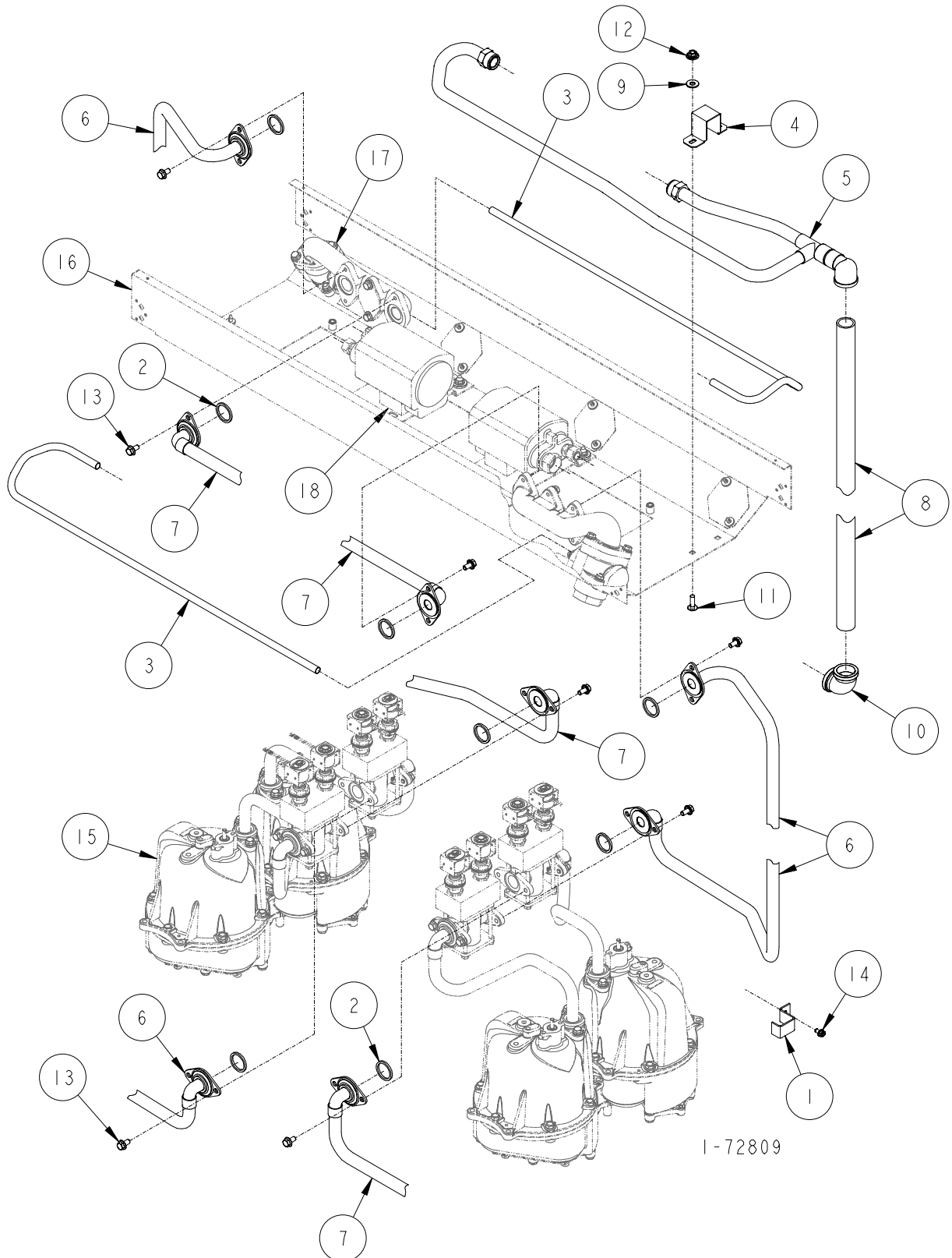
321170	Fuel Tube Hydraulic Assembly
422624	Raceway Assembly

1-72808



# **DISCHARGE ASSEMBLY**

H422C-B3/5-MV



I-72809

## DISCHARGE ASSEMBLY

### H422C-B3/5-MV

ITEM NO.	PART NO.	DESCRIPTION
1	1-231856	Discharge Tube Bracket
2	13-313235	Gasket
3	1-321135	Vapor Inlet Tube
4	1-321154	Down Pipe Bracket
5	1-422630	Vapor Outlet Tube
6	1-422732	Fuel Discharge Tube
7	1-422733	Fuel Discharge Tube
8	335-50510	1-1/2" x 81-1/2" Long Pipe
9	03-50611	5/16 Plate Washer
10	06-51700 2-319405	1" x 90° Elbow - Banded (Remote Control) Offset Tee (Suction System)
11	39-52198	5/16-18 x 1" Long Carriage Bolt
12	02-54752	5/16-18 M-F Flange Whiz Lock Nut
13	35-55132	5/16-18 x 5/8" Long M-F Flange Whiz Lock Screw
14	69-55392	1/4 x 1/2" Long Hex Washer Head Tapping Screw
15		<u>For parts call out of Meter &amp; Hydraulics Assembly see 72728.</u>
16		<u>For parts call out of Chassis Assembly see 72724.</u>
17		<u>For parts call out of Outlet Adapter Assembly see 72762.</u>
18		<u>For parts call out of MaxVac Assembly see 72751.</u>

Reference for Tokheim internal use only:

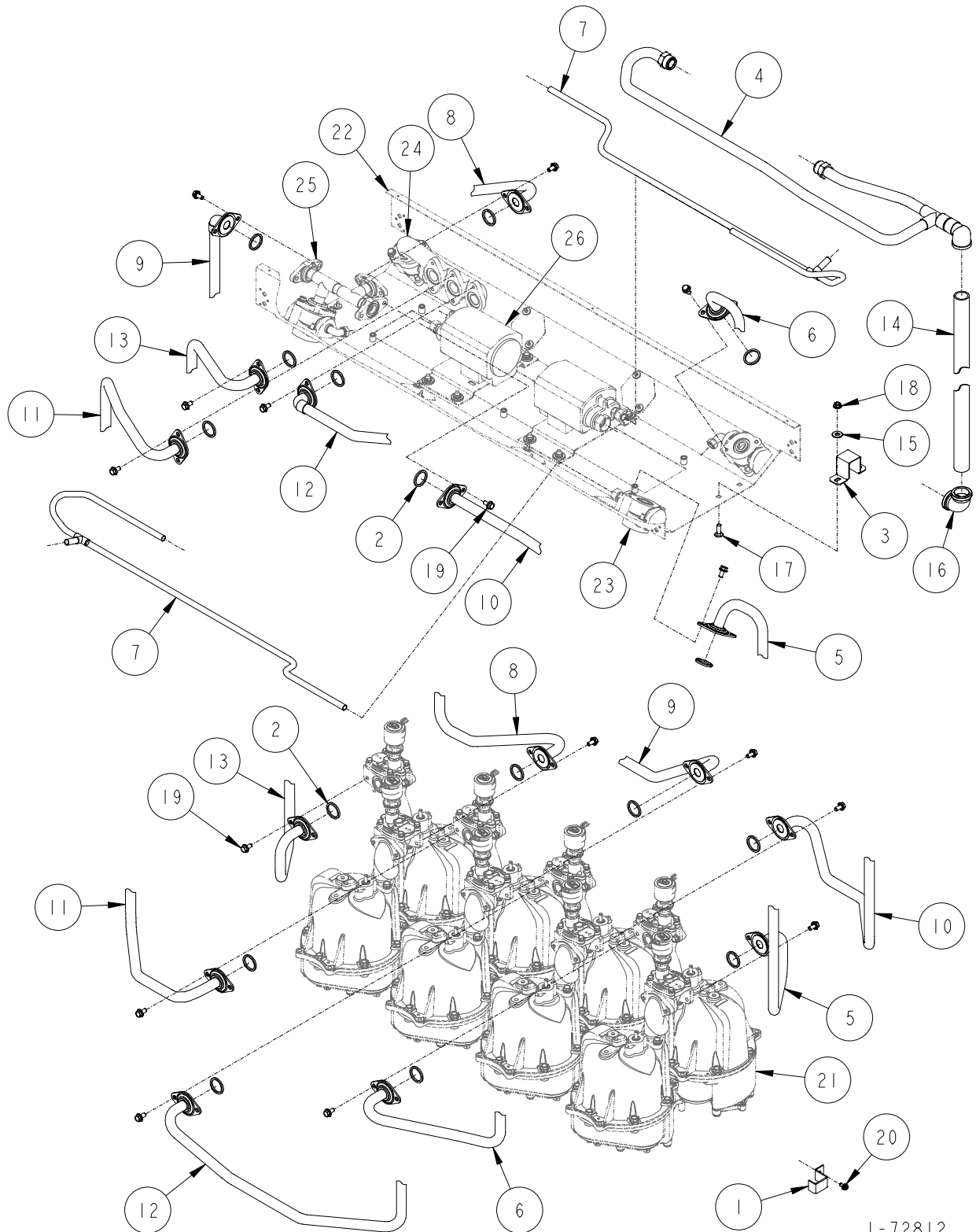
321170      Fuel Tube Hydraulic Assembly  
422624      Raceway Assembly

1-72809



# **DISCHARGE ASSEMBLY**

H424C-MV & H424D-MV



1-72812

## DISCHARGE ASSEMBLY

### H424C-MV & H424D-MV

ITEM NO.	PART NO.	DESCRIPTION
1	1-231856	Discharge Tube Bracket
2	13-313235	Gasket
3	1-321154	Down Pipe Bracket
4	1-422630	Vapor Outlet Tube
5	1-422641	Fuel Discharge Tube
6	1-422642	Fuel Discharge Tube
7	3-422683	Vapor Inlet Manifold
8	1-422697	Fuel Discharge Tube
9	1-422698	Fuel Discharge Tube
10	1-422699	Fuel Discharge Tube
11	1-422700	Fuel Discharge Tube
12	1-422701	Fuel Discharge Tube
13	1-422729	Fuel Discharge Tube
14	335-50510	1-1/2" x 81-1/2" Long Pipe
15	03-50611	5/16 Plate Washer
15	06-51700	1" x 90° Elbow - Banded
17	39-52198	5/16-18 x 1" Long Carriage Bolt
18	02-54752	5/16-18 M-F Flange Whiz Lock Nut
19	35-55132	5/16-18 x 5/8" Long M-F Flange Whiz Lock Screw
20	69-55392	1/4 x 1/2" Long Hex Washer Head Tapping Screw
21		<u>For parts call out of Meter &amp; Hydraulics Assembly see 72726.</u>
22		<u>For parts call out of Chassis Assembly see 72724.</u>
23		<u>For parts call out of Outlet Adapter Assembly see 72753.</u>
24		<u>For parts call out of Outlet Adapter Assembly see 72762.</u>
25		<u>For parts call out of Outlet Adapter Assembly see 72820.</u>
26		<u>For parts call out of MaxVac Assembly see 72751.</u>

Reference for Tokheim internal use only:

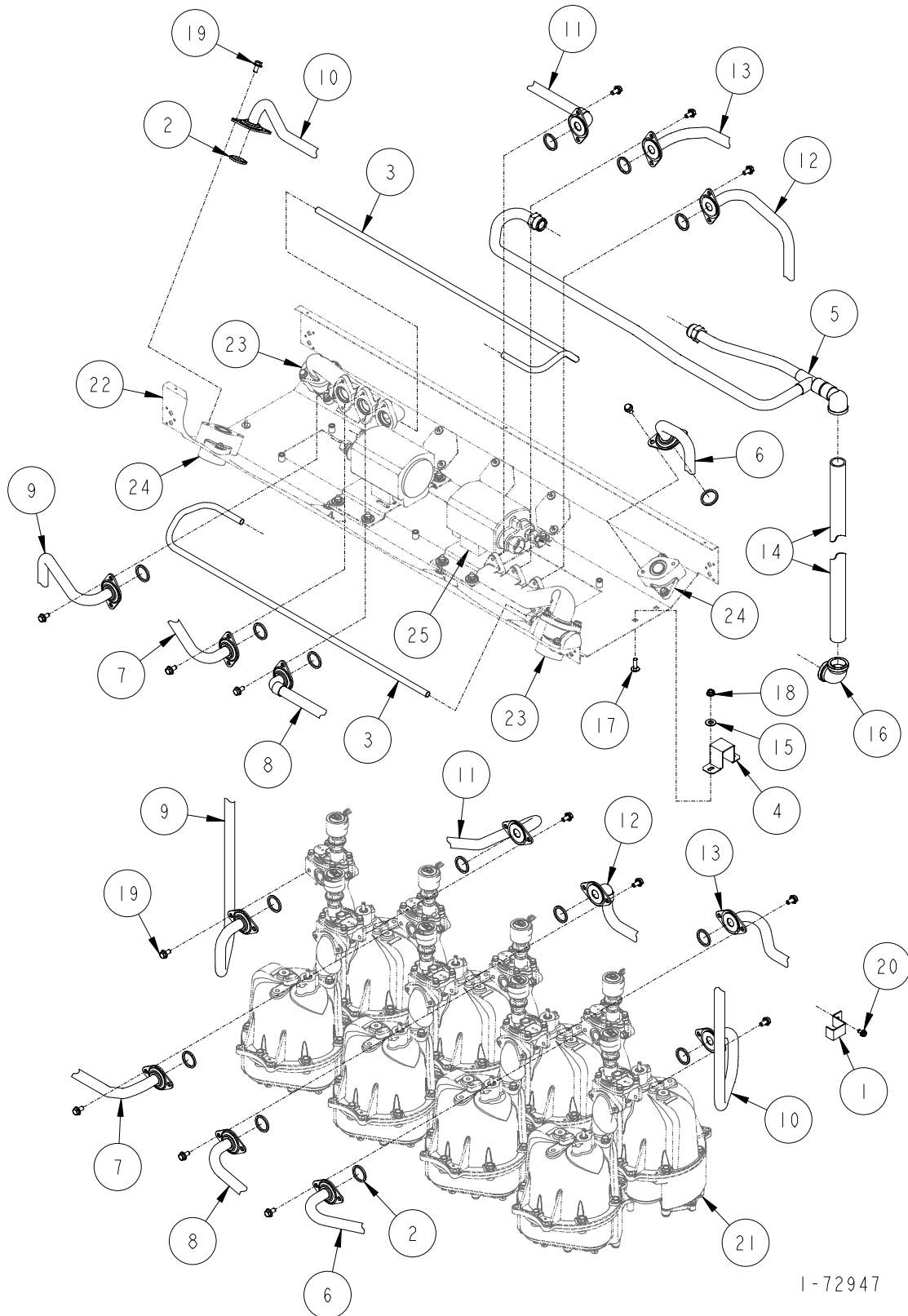
321170	Fuel Tube Hydraulic Assembly
422624	Raceway Assembly

1-72812



# DISCHARGE ASSEMBLY

H424C-TL & H424D-TL



1-72947

## DISCHARGE ASSEMBLY

### H424C-TL & H424D-TL

ITEM NO.	PART NO.	DESCRIPTION
1	1-231856	Discharge Tube Bracket
2	13-313235	Gasket
3	1-321135	Vapor Inlet Manifold
4	1-321154	Down Pipe Bracket
5	1-422630	Vapor Outlet Tube
6	1-422642	Fuel Discharge Tube
7	1-422700	Fuel Discharge Tube
8	1-422701	Fuel Discharge Tube
9	1-422729	Fuel Discharge Tube
10	1-422832	Fuel Discharge Tube
11	1-422854	Fuel Discharge Tube
12	1-422855	Fuel Discharge Tube
13	1-422856	Fuel Discharge Tube
14	335-50510	1-1/2" x 81-1/2" Long Pipe
15	03-50611	5/16 Plate Washer
16	06-51700	1" x 90° Elbow - Banded
17	39-52198	5/16-18 x 1" Long Carriage Bolt
18	02-54752	5/16-18 M-F Flange Whiz Lock Nut
19	35-55132	5/16-18 x 5/8" Long M-F Flange Whiz Lock Screw
20	69-55392	1/4 x 1/2" Long Hex Washer Head Tapping Screw
21	<u>For parts call out of Meter &amp; Hydraulics Assembly see 72726.</u>	
22	<u>For parts call out of Chassis Assembly see 72724.</u>	
23	<u>For parts call out of Outlet Adapter Assembly see 72762.</u>	
24	<u>For parts call out of Outlet Adapter Assembly see 72763.</u>	
25	<u>For parts call out of MaxVac Assembly see 72751.</u>	

Reference for Tokheim internal use only:

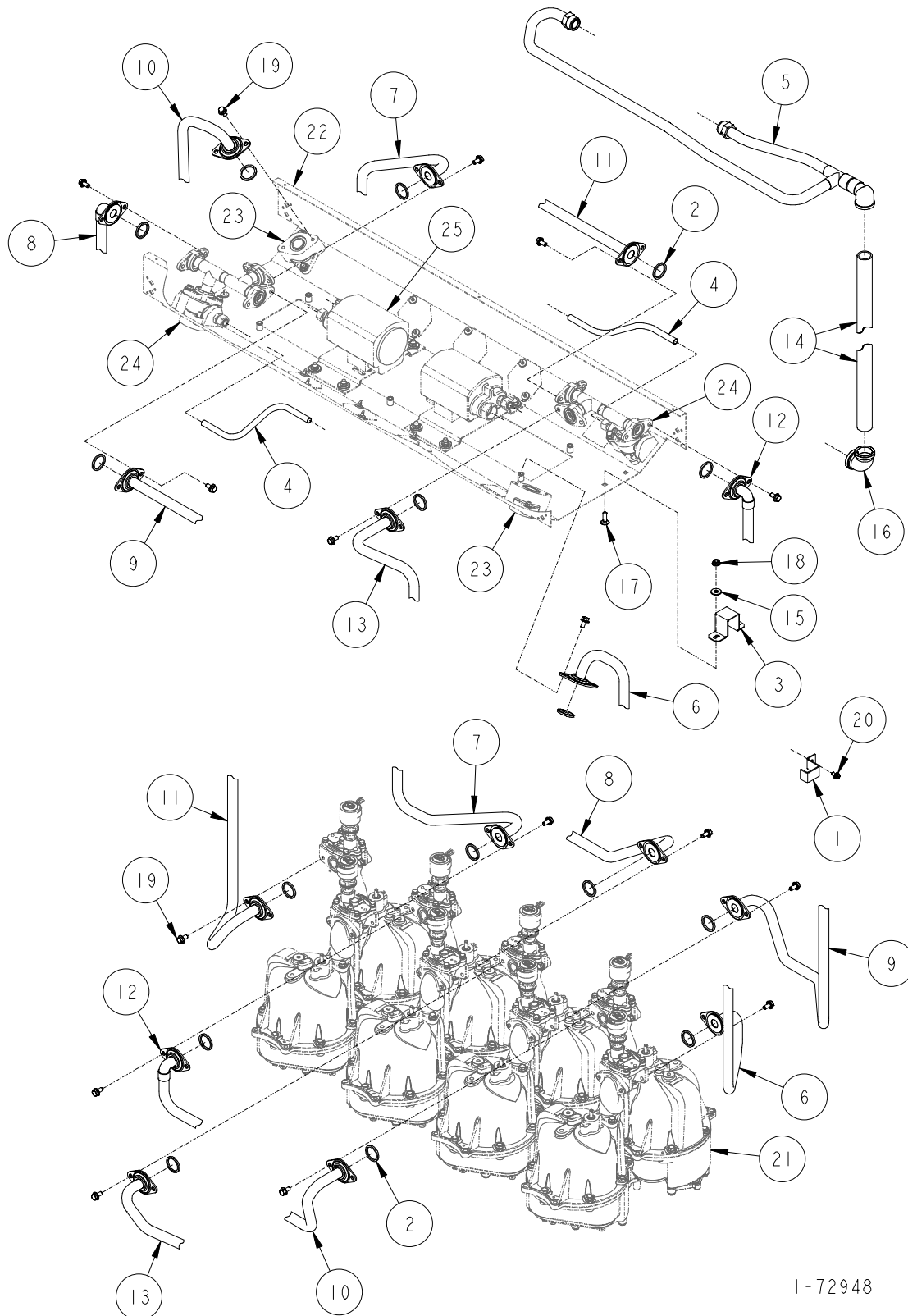
321170	Fuel Tube Hydraulic Assembly
422624	Raceway Assembly

1-72947



# **DISCHARGE ASSEMBLY**

H424C-TR & H424D-TR



1-72948

## DISCHARGE ASSEMBLY

### H424C-TR & H424D-TR

ITEM NO.	PART NO.	DESCRIPTION
1	1-231856	Discharge Tube Bracket
2	13-313235	Gasket
3	1-321154	Down Pipe Bracket
4	1-321281	Vapor Inlet Manifold
5	1-422630	Vapor Outlet Tube
6	1-422641	Fuel Discharge Tube
7	1-422697	Fuel Discharge Tube
8	1-422698	Fuel Discharge Tube
9	1-422699	Fuel Discharge Tube
10	1-422975	Fuel Discharge Tube
11	1-422976	Fuel Discharge Tube
12	1-422977	Fuel Discharge Tube
13	1-422978	Fuel Discharge Tube
14	335-50510	1-1/2" x 81-1/2" Long Pipe
15	03-50611	5/16 Plate Washer
16	06-51700	1" x 90° Elbow - Banded
17	39-52198	5/16-18 x 1" Long Carriage Bolt
18	02-54752	5/16-18 M-F Flange Whiz Lock Nut
19	35-55132	5/16-18 x 5/8" Long M-F Flange Whiz Lock Screw
20	69-55392	1/4 x 1/2" Long Hex Washer Head Tapping Screw
21		<u>For parts call out of Meter &amp; Hydraulics Assembly see 72726.</u>
22		<u>For parts call out of Chassis Assembly see 72724.</u>
23		<u>For parts call out of Outlet Adapter Assembly see 72763.</u>
24		<u>For parts call out of Outlet Adapter Assembly see 72820.</u>
25		<u>For parts call out of MaxVac Assembly see 72751.</u>

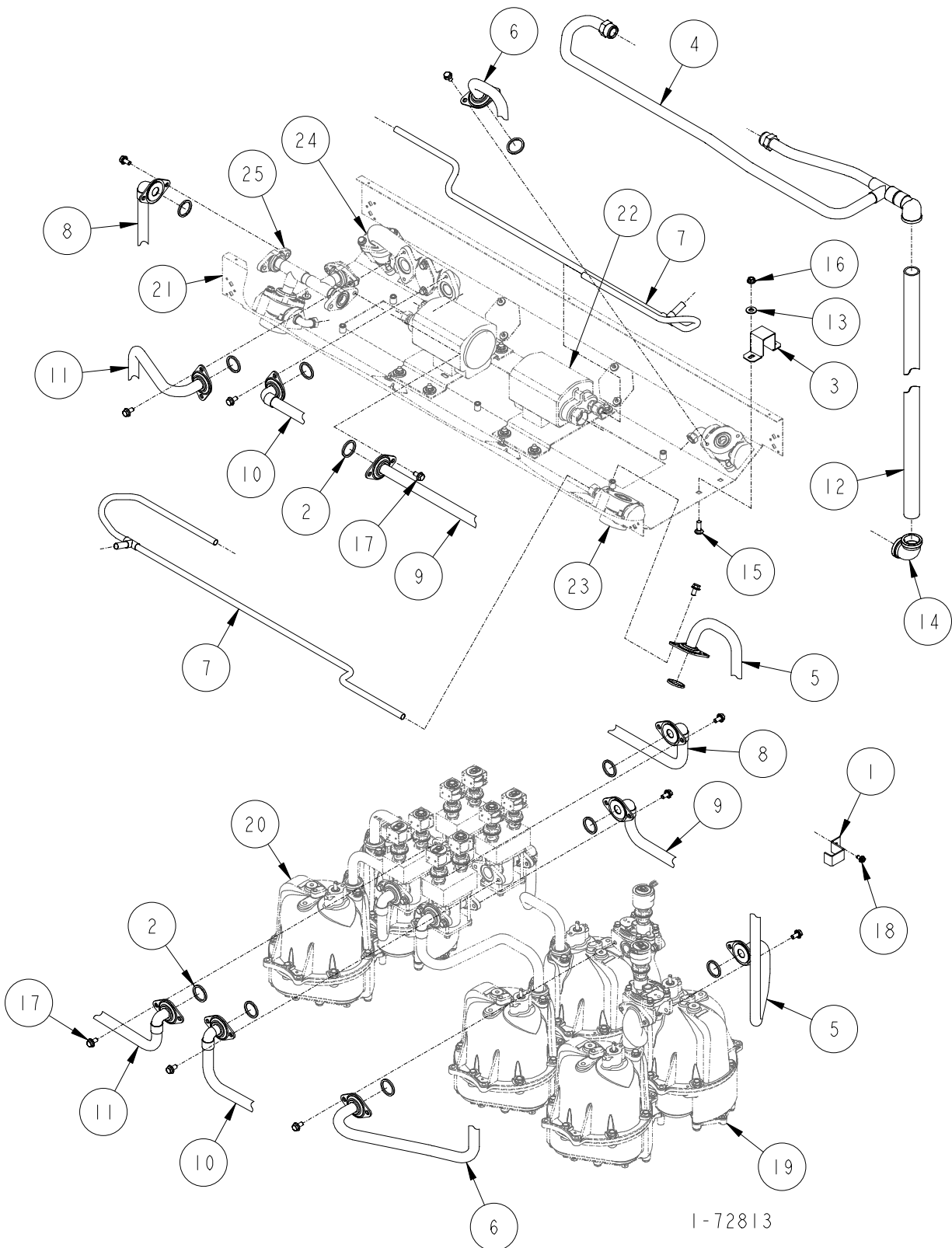
Reference for Tokheim internal use only:

321170	Fuel Tube Hydraulic Assembly
422624	Raceway Assembly

1-72948

# **DISCHARGE ASSEMBLY**

H424C-B3/4-MV



1-72813

## DISCHARGE ASSEMBLY

### H424C-B3/4-MV

ITEM NO.	PART NO.	DESCRIPTION
1	1-231856	Discharge Tube Bracket
2	13-313235	Gasket
3	1-321154	Down Pipe Bracket
4	1-422630	Vapor Outlet Tube
5	1-422641	Fuel Discharge Tube
6	1-422642	Fuel Discharge Tube
7	4-422683	Vapor Inlet Manifold
8	1-422702	Fuel Discharge Tube
9	1-422703	Fuel Discharge Tube
10	1-422704	Fuel Discharge Tube
11	1-422732	Fuel Discharge Tube
12	335-50510	1-1/2" x 81-1/2" Long Pipe
13	03-50611	5/16" Plate Washer
14	06-51700	1" x 90° Elbow - Banded (Remote Control)
	2-319405	Offset Tee (Suction System)
15	39-52198	5/16-18 x 1" Long Carriage Bolt
16	02-54752	5/16-18 M-F Flange Whiz Lock Nut
17	35-55132	5/16-18 x 5/8" Long M-F Flange Whiz Lock Screw
18	69-55392	1/4 x 1/2" Long Hex Washer Head Tapping Screw
19		<u>For parts call out of Meter &amp; Hydraulics Assembly see 72726.</u>
20		<u>For parts call out of Meter &amp; Hydraulics Assembly see 72728.</u>
21		<u>For parts call out of Chassis Assembly see 72724.</u>
22		<u>For parts call out of MaxVac Assembly see 72751.</u>
23		<u>For parts call out of Outlet Adapter Assembly see 72753.</u>
24		<u>For parts call out of Outlet Adapter Assembly see 72762.</u>
25		<u>For parts call out of Outlet Adapter Assembly see 72820.</u>

Reference for Tokheim internal use only:

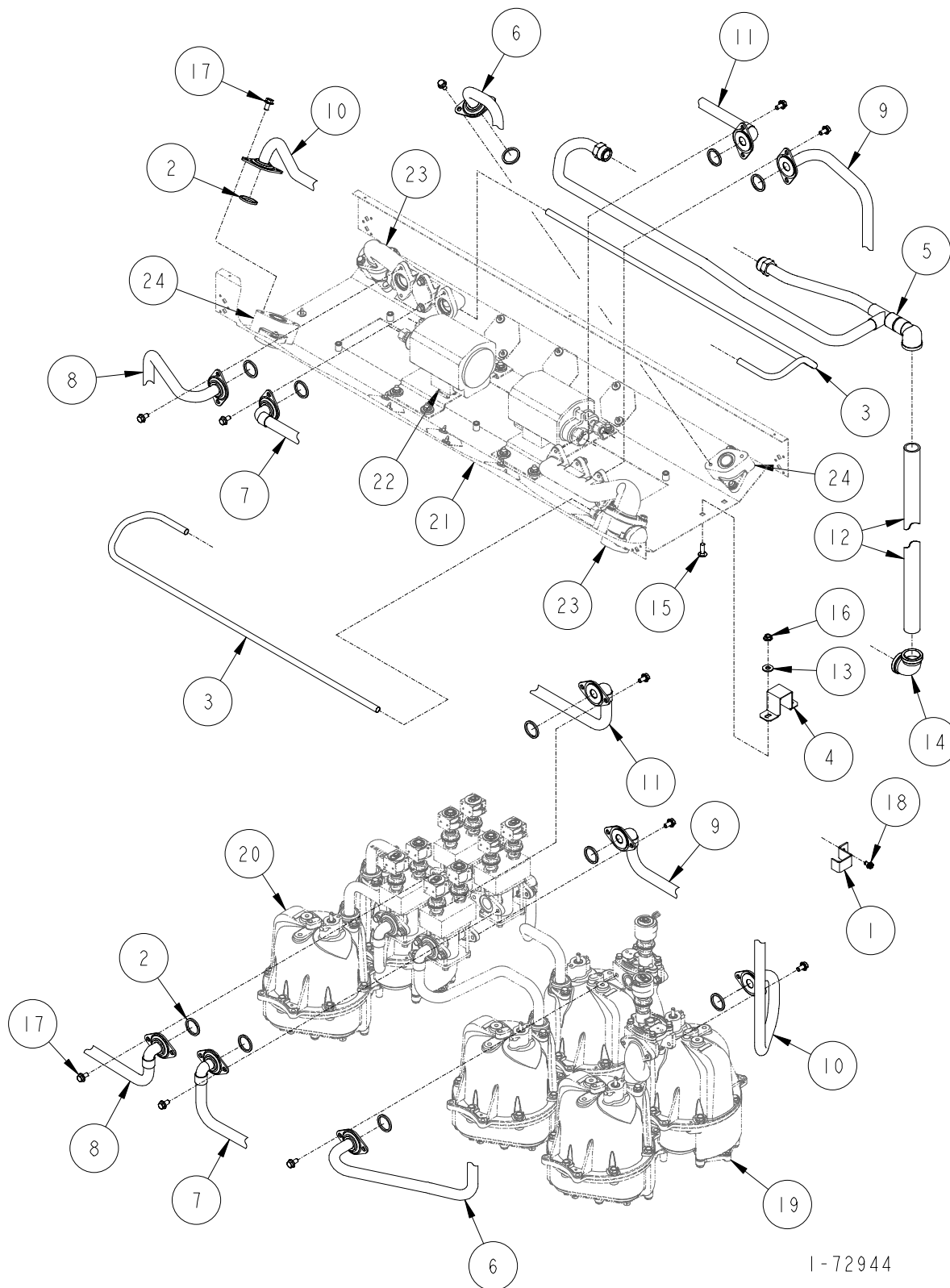
321170 Fuel Tube Hydraulic Assembly  
422624 Raceway Assembly



1-72813

# DISCHARGE ASSEMBLY

H424C-B3/4-TL



1-72944

## DISCHARGE ASSEMBLY

### H424C-B3/4-TL

ITEM NO.	PART NO.	DESCRIPTION
1	1-231856	Discharge Tube Bracket
2	13-313235	Gasket
3	1-321135	Vapor Inlet Manifold
4	1-321154	Down Pipe Bracket
5	1-422630	Vapor Outlet Tube
6	1-422642	Fuel Discharge Tube
7	1-422704	Fuel Discharge Tube
8	1-422732	Fuel Discharge Tube
9	1-422831	Fuel Discharge Tube
10	1-422832	Fuel Discharge Tube
11	1-422833	Fuel Discharge Tube
12	335-50510	1-1/2" x 81-1/2" Long Pipe
13	03-50611	5/16" Plate Washer
14	06-51700	1" x 90° Elbow - Banded (Remote Control)
	2-319405	Offset Tee (Suction System)
15	39-52198	5/16-18 x 1" Long Carriage Bolt
16	02-54752	5/16-18 M-F Flange Whiz Lock Nut
17	35-55132	5/16-18 x 5/8" Long M-F Flange Whiz Lock Screw
18	69-55392	1/4 x 1/2" Long Hex Washer Head Tapping Screw
19		<u>For parts call out of Meter &amp; Hydraulics Assembly see 72726.</u>
20		<u>For parts call out of Meter &amp; Hydraulics Assembly see 72728.</u>
21		<u>For parts call out of Chassis Assembly see 72724.</u>
22		<u>For parts call out of MaxVac Assembly see 72751.</u>
23		<u>For parts call out of Outlet Adapter Assembly see 72762.</u>
24		<u>For parts call out of Outlet Adapter Assembly see 72763.</u>

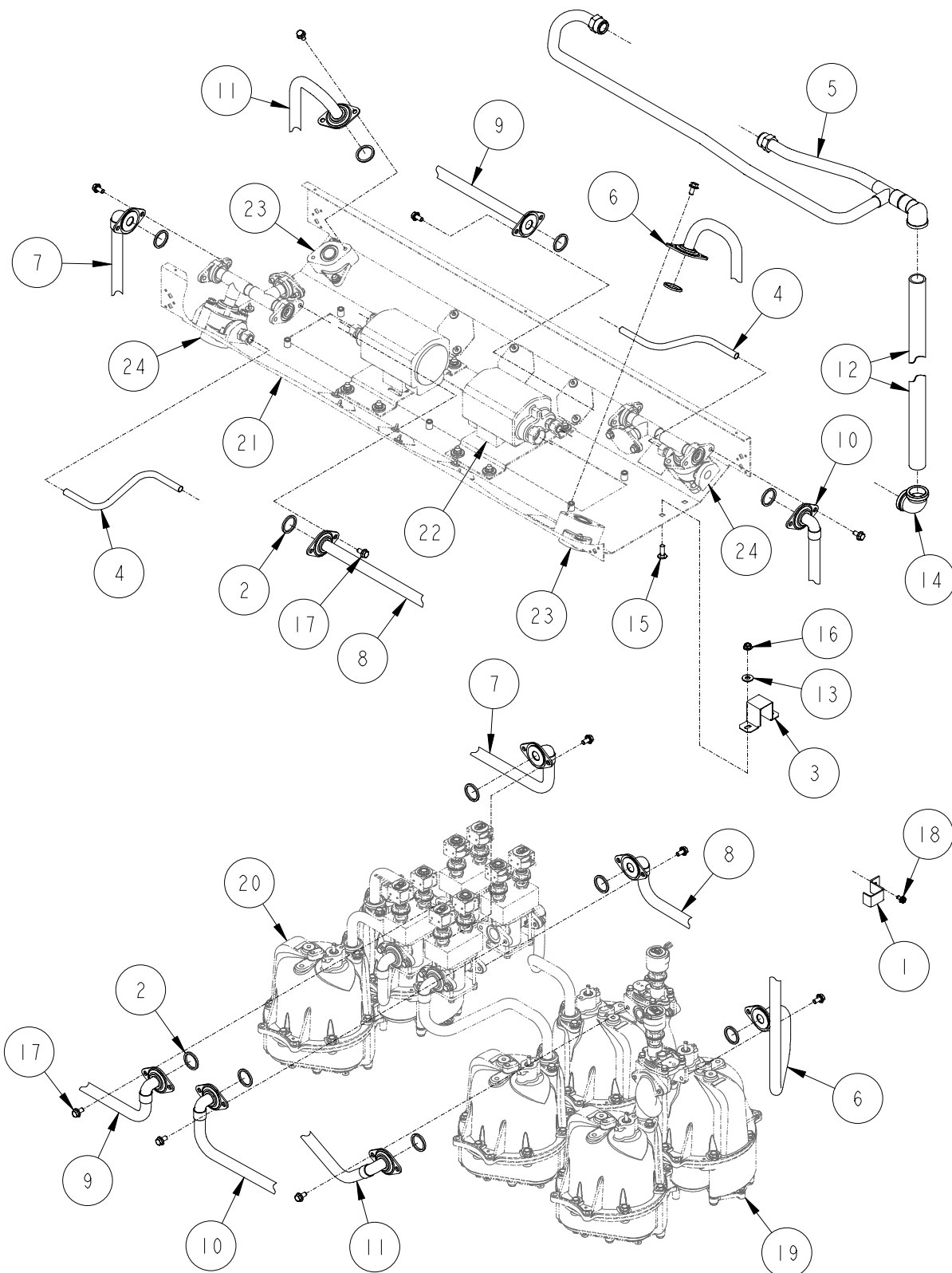
Reference for Tokheim internal use only:

321170	Fuel Tube Hydraulic Assembly
422624	Raceway Assembly

1-72944

# DISCHARGE ASSEMBLY

H424C-B3/4-TR



1-72945

## DISCHARGE ASSEMBLY

### H424C-B3/4-TR

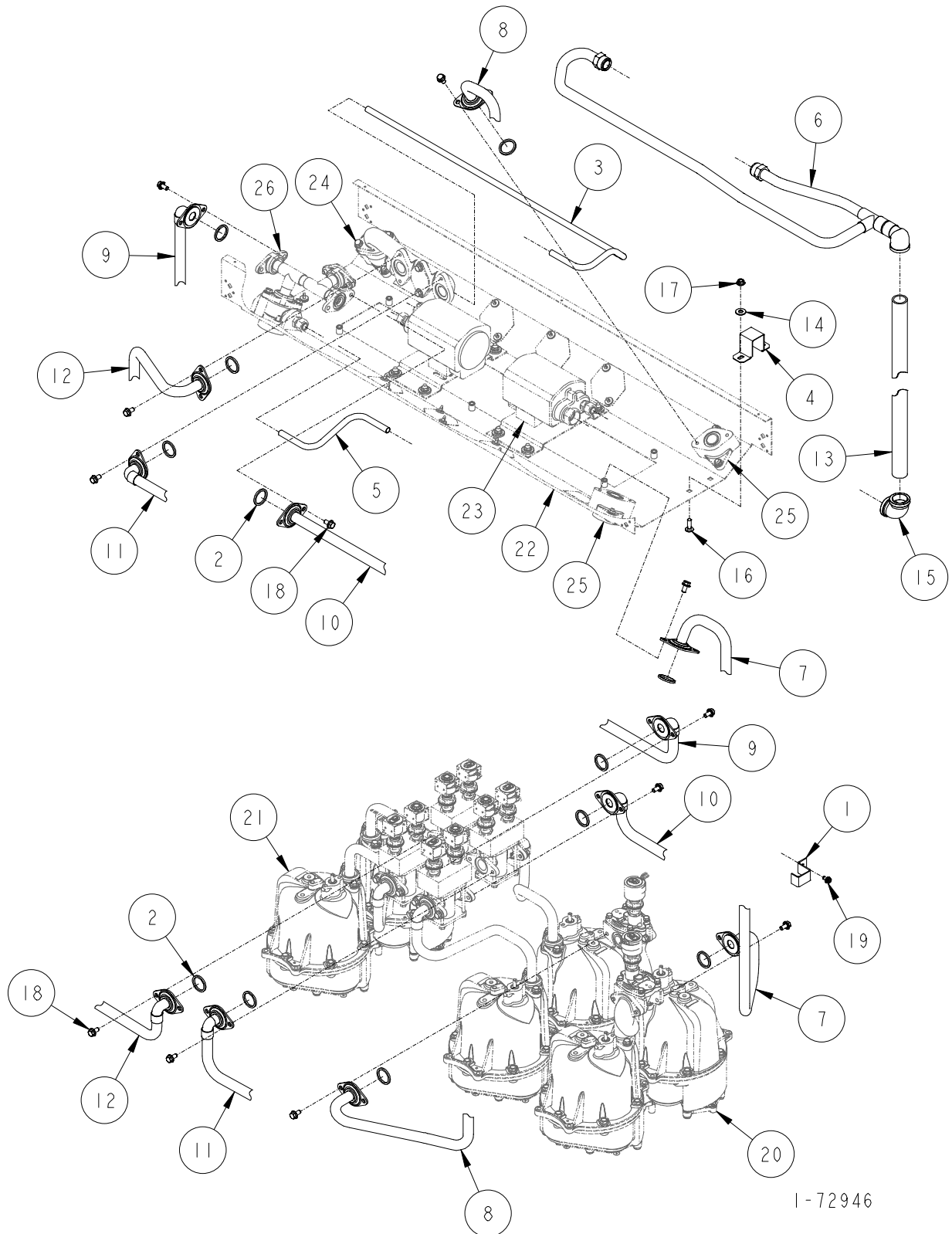
ITEM NO.	PART NO.	DESCRIPTION
1	1-231856	Discharge Tube Bracket
2	13-313235	Gasket
3	1-321154	Down Pipe Bracket
4	1-321281	Vapor Inlet Tube
5	1-422630	Vapor Outlet Tube
6	1-422641	Fuel Discharge Tube
7	1-422702	Fuel Discharge Tube
8	1-422703	Fuel Discharge Tube
9	1-422844	Fuel Discharge Tube
10	1-422845	Fuel Discharge Tube
11	1-422881	Fuel Discharge Tube
12	335-50510	1-1/2" x 81-1/2" Long Pipe
13	03-50611	5/16" Plate Washer
14	06-51700	1" x 90° Elbow - Banded (Remote Control)
	2-319405	Offset Tee (Suction System)
15	39-52198	5/16-18 x 1" Long Carriage Bolt
16	02-54752	5/16-18 M-F Flange Whiz Lock Nut
17	35-55132	5/16-18 x 5/8" Long M-F Flange Whiz Lock Screw
18	69-55392	1/4 x 1/2" Long Hex Washer Head Tapping Screw
19	<u>For parts call out of Meter &amp; Hydraulics Assembly see 72726.</u>	
20	<u>For parts call out of Meter &amp; Hydraulics Assembly see 72728.</u>	
21	<u>For parts call out of Chassis Assembly see 72724.</u>	
22	<u>For parts call out of MaxVac Assembly see 72751.</u>	
23	<u>For parts call out of Outlet Adapter Assembly see 72763.</u>	
24	<u>For parts call out of Outlet Adapter Assembly see 72820.</u>	
 <u>Reference for Tokheim internal use only:</u>		
	321170	Fuel Tube Hydraulic Assembly
	422624	Raceway Assembly



1-72945

# DISCHARGE ASSEMBLY

H424C-B3/4-MN



1-72946

## DISCHARGE ASSEMBLY

### H424C-B3/4-MN

ITEM NO.	PART NO.	DESCRIPTION
1	1-231856	Discharge Tube Bracket
2	13-313235	Gasket
3	1-321135	Vapor Inlet Tube
4	1-321154	Down Pipe Bracket
5	1-321281	Vapor Inlet Tube
6	1-422630	Vapor Outlet Tube
7	1-422641	Fuel Discharge Tube
8	1-422642	Fuel Discharge Tube
9	1-422702	Fuel Discharge Tube
10	1-422703	Fuel Discharge Tube
11	1-422704	Fuel Discharge Tube
12	1-422732	Fuel Discharge Tube
13	335-50510	1-1/2" x 81-1/2" Long Pipe
14	03-50611	5/16" Plate Washer
15	06-51700	1" x 90° Elbow - Banded (Remote Control)
	2-319405	Offset Tee (Suction System)
16	39-52198	5/16-18 x 1" Long Carriage Bolt
17	02-54752	5/16-18 M-F Flange Whiz Lock Nut
18	35-55132	5/16-18 x 5/8" Long M-F Flange Whiz Lock Screw
19	69-55392	1/4 x 1/2" Long Hex Washer Head Tapping Screw
20		<u>For parts call out of Meter &amp; Hydraulics Assembly see 72726.</u>
21		<u>For parts call out of Meter &amp; Hydraulics Assembly see 72728.</u>
22		<u>For parts call out of Chassis Assembly see 72724.</u>
23		<u>For parts call out of MaxVac Assembly see 72751.</u>
24		<u>For parts call out of Outlet Adapter Assembly see 72762.</u>
25		<u>For parts call out of Outlet Adapter Assembly see 72763.</u>
26		<u>For parts call out of Outlet Adapter Assembly see 72820.</u>

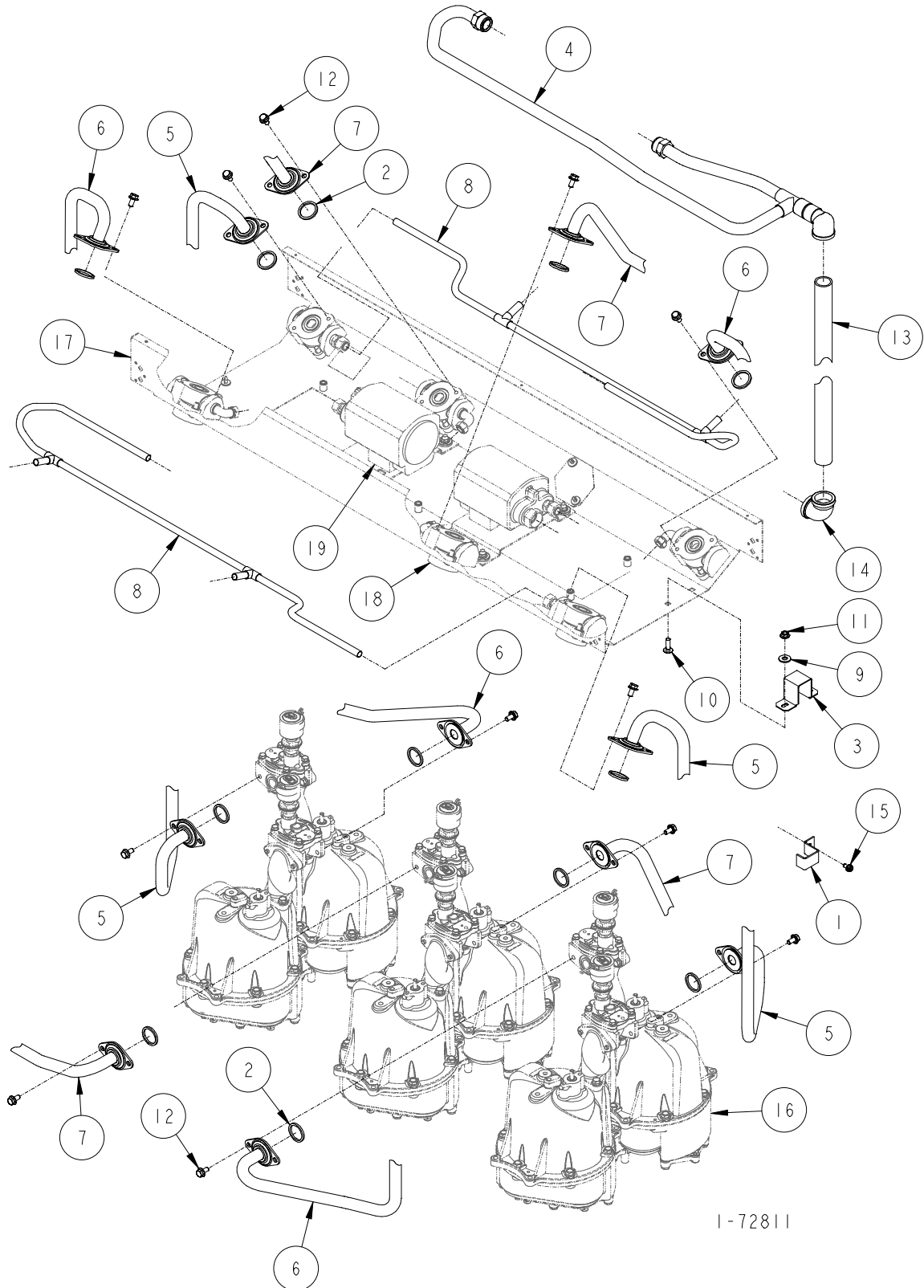
Reference for Tokheim internal use only:

321170	Fuel Tube Hydraulic Assembly
422624	Raceway Assembly



# **DISCHARGE ASSEMBLY**

H426C-MV & H426D-MV



1-72811

## DISCHARGE ASSEMBLY

### H426C-MV & H426D-MV

ITEM NO.	PART NO.	DESCRIPTION
1	1-231856	Discharge Tube Bracket
2	13-313235	Gasket
3	1-321154	Down Pipe Bracket
4	1-422630	Vapor Outlet Tube
5	1-422641	Fuel Discharge Tube
6	1-422642	Fuel Discharge Tube
7	1-422643	Fuel Discharge Tube
8	2-422683	Vapor Inlet Manifold
9	03-50611	5/16 Plate Washer
10	39-52198	5/16-18 x 1" Long Carriage Bolt
11	02-54752	5/16-18 M-F Flange Whiz Lock Nut
12	35-55132	5/16-18 x 5/8" Long M-F Flange Whiz Lock Screw
13	335-50510	1-1/2" x 81-1/2" Long Pipe
14	06-51700	1" x 90° Elbow - Banded (Remote Control)
	2-319405	Offset Tee (Suction System)
15	69-55392	1/4 x 1/2" Long Hex Washer Head Tapping Screw
16	<u>For parts call out of Meter &amp; Hydraulics Assembly see 72726.</u>	
17	<u>For parts call out of Chassis Assembly see 72724.</u>	
18	<u>For parts call out of Outlet Adapter Assembly see 72753.</u>	
19	<u>For parts call out of MaxVac Assembly see 72751.</u>	

Reference for Tokheim internal use only:

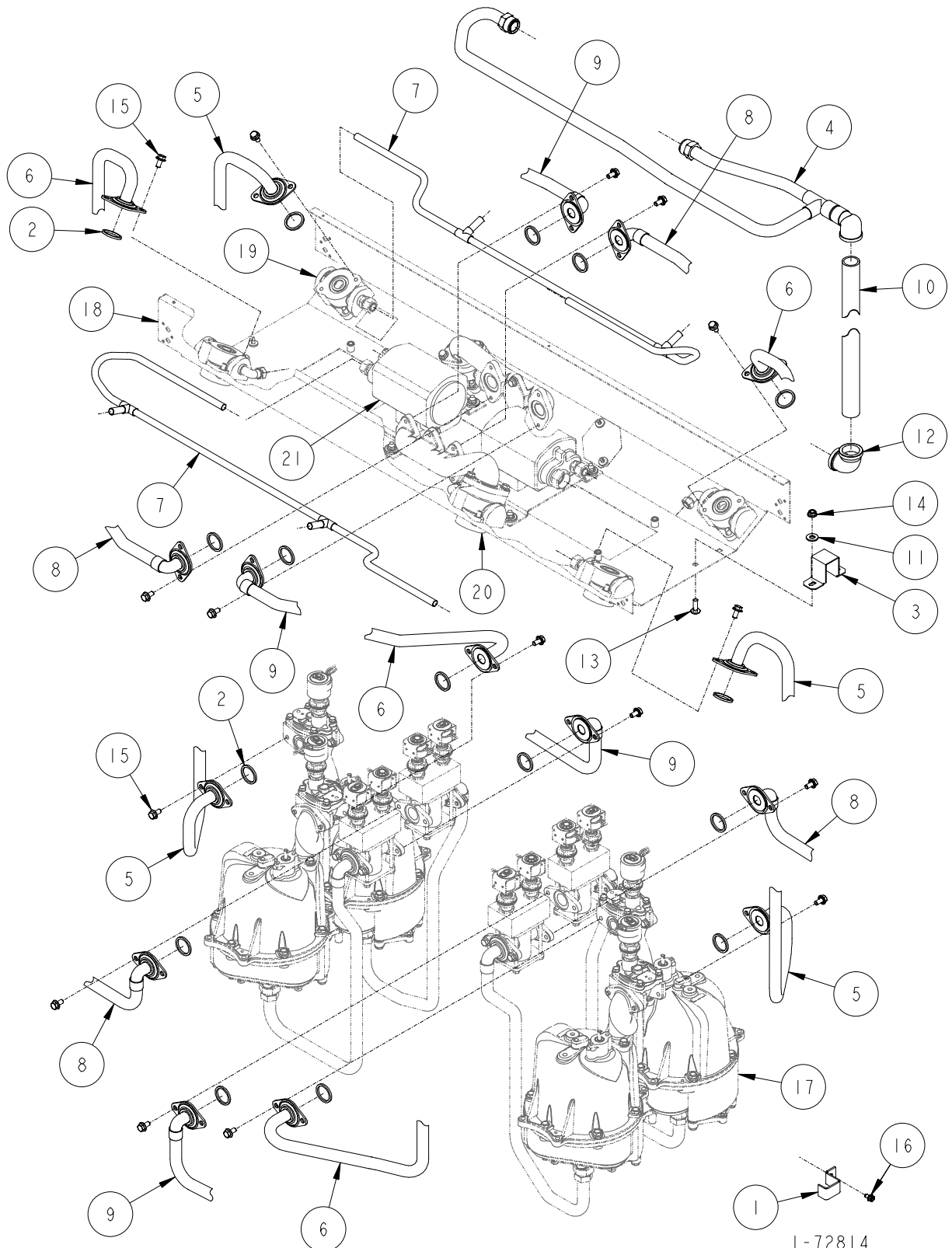
321170	Fuel Tube Hydraulic Assembly
422624	Raceway Assembly

1-72811



# **DISCHARGE ASSEMBLY**

H426C-EB-MV



1-72814

## DISCHARGE ASSEMBLY

### H426C-EB-MV

ITEM NO.	PART NO.	DESCRIPTION
1	1-231856	Discharge Tube Bracket
2	13-313235	Gasket
3	1-321154	Down Pipe Bracket
4	1-422630	Vapor Outlet Tube
5	1-422641	Fuel Discharge Tube
6	1-422642	Fuel Discharge Tube
7	2-422683	Vapor Inlet Manifold
8	1-422706	Fuel Discharge Tube
9	1-422707	Fuel Discharge Tube
10	335-50510	1-1/2" x 81-1/2" Long Pipe
11	03-50611	5/16 Plate Washer
12	06-51700	1" x 90° Elbow - Banded (Remote Control)
	2-319405	Offset Tee (Suction System)
13	39-52198	5/16-18 x 1" Long Carriage Bolt
14	02-54752	5/16-18 M-F Flange Whiz Lock Nut
15	35-55132	5/16-18 x 5/8" Long M-F Flange Whiz Lock Screw
16	69-55392	1/4 x 1/2" Long Hex Washer Head Tapping Screw
17		<u>For parts call out of Meter &amp; Hydraulics Assembly see 72729.</u>
18		<u>For parts call out of Chassis Assembly see 72724.</u>
19		<u>For parts call out of Outlet Adapter Assembly see 72753.</u>
20		<u>For parts call out of Outlet Adapter Assembly see 72762.</u>
21		<u>For parts call out of MaxVac Assembly see 72751.</u>

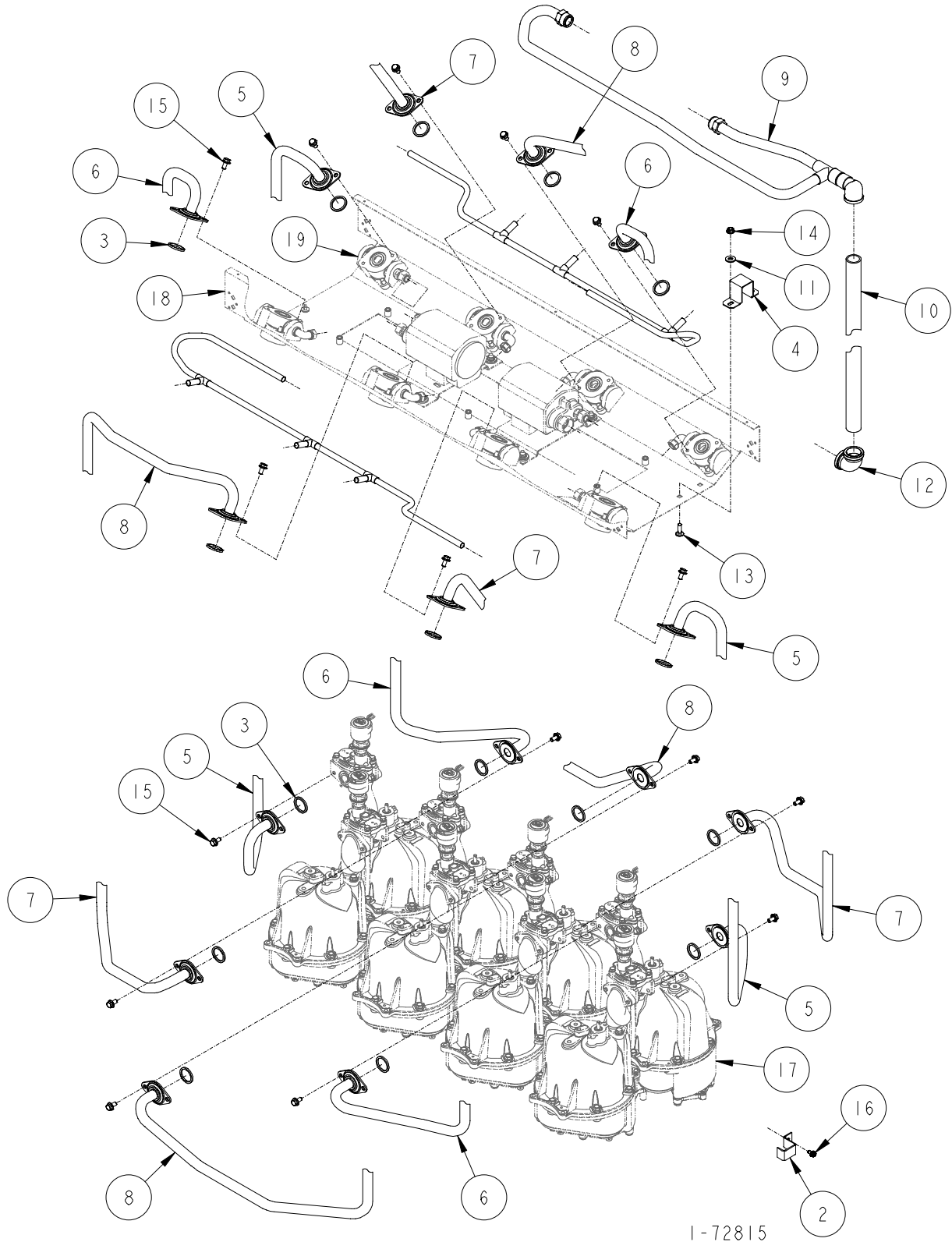
Reference for Tokheim internal use only:

321170	Fuel Tube Hydraulic Assembly
422624	Raceway Assembly

1-72814

# **DISCHARGE ASSEMBLY**

H428C-MV & H428D-MV



1-72815

## DISCHARGE ASSEMBLY

### H428C-MV & H428D-MV

ITEM NO.	PART NO.	DESCRIPTION
1	1-231856	Discharge Tube Bracket
2	13-313235	Gasket
3	1-321154	Down Pipe Bracket
4	1-422630	Vapor Inlet Tube
5	1-422641	Fuel Discharge Tube
6	1-422642	Fuel Discharge Tube
7	1-422683	Vapor Inlet Manifold
8	1-422694	Fuel Discharge Tube
9	1-422695	Fuel Discharge Tube
10	335-50510	1-1/2" x 81-1/2" Long Pipe
11	03-50611	5/16" Plate Washer
12	06-51700	1" x 90° Elbow - Banded
13	39-52198	5/16-18 x 1" Long Carriage Bolt
14	02-54752	5/16-18 M-F Flange Whiz Lock Nut
15	35-55132	5/16-18 x 5/8" Long M-F Flange Whiz Lock Screw
16	69-55392	1/4 x 1/2" Long Hex Washer Head Tapping Screw
17	<u>For parts call out of Meter &amp; Hydraulics Assembly see 72726.</u>	
18	<u>For parts call out of Chassis Assembly see 72724.</u>	
19	<u>For parts call out of Outlet Adapter Assembly see 72753.</u>	
20	<u>For parts call out of MaxVac Assembly see 72751.</u>	

Reference for Tokheim internal use only:

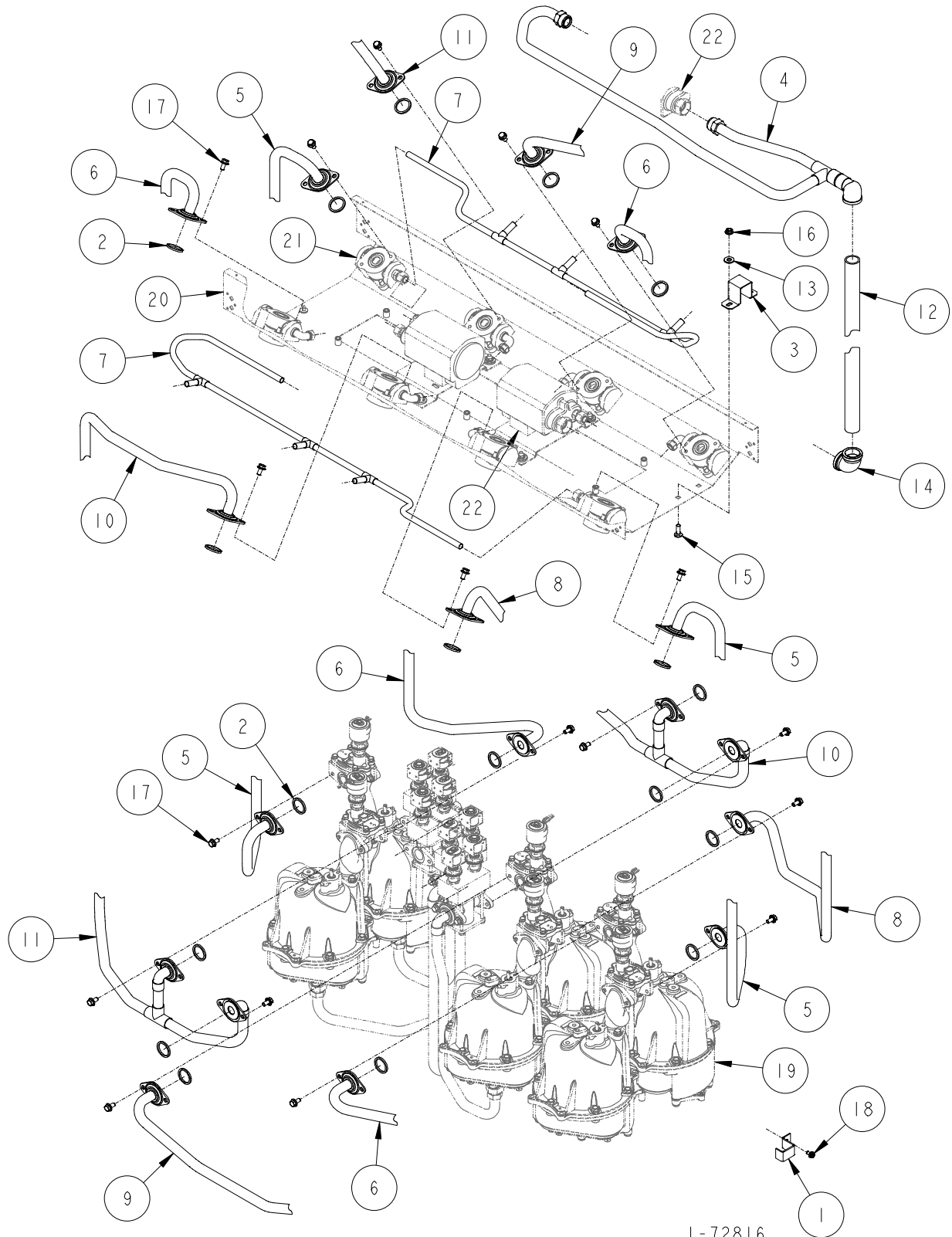
321170	Fuel Tube Hydraulic Assembly
422624	Raceway Assembly

1-72815



# DISCHARGE ASSEMBLY

H428C-EB-MV



1-72816

## DISCHARGE ASSEMBLY

### H428C-EB-MV

ITEM NO.	PART NO.	DESCRIPTION
1	1-231856	Discharge Tube Bracket
2	13-313235	Gasket
3	1-321154	Down Pipe Bracket
4	1-422630	Vapor Inlet Tube
5	1-422641	Fuel Discharge Tube
6	1-422642	Fuel Discharge Tube
7	1-422683	Vapor Inlet Manifold
8	1-422694	Fuel Discharge Tube
9	1-422720	Fuel Discharge Tube
10	1-422721	Fuel Discharge Tube
11	1-422722	Fuel Discharge Tube
12	335-50510	1-1/2" x 81-1/2" Long Pipe
13	03-50611	5/16" Plate Washer
14	06-51700 2-319405	1" x 90° Elbow - Banded (Remote Control) Offset Tee (Suction System)
15	39-52198	5/16-18 x 1" Long Carriage Bolt
16	02-54752	5/16-18 M-F Flange Whiz Lock Nut
17	35-55132	5/16-18 x 5/8" Long M-F Flange Whiz Lock Screw
18	69-55392	1/4 x 1/2" Long Hex Washer Head Tapping Screw
19		<u>For parts call out of Meter &amp; Hydraulics Assembly see 72726.</u>
20		<u>For parts call out of Chassis Assembly see 72724.</u>
21		<u>For parts call out of Outlet Adapter Assembly see 72753.</u>
22		<u>For parts call out of MaxVac Assembly see 72751.</u>

Reference for Tokheim internal use only:

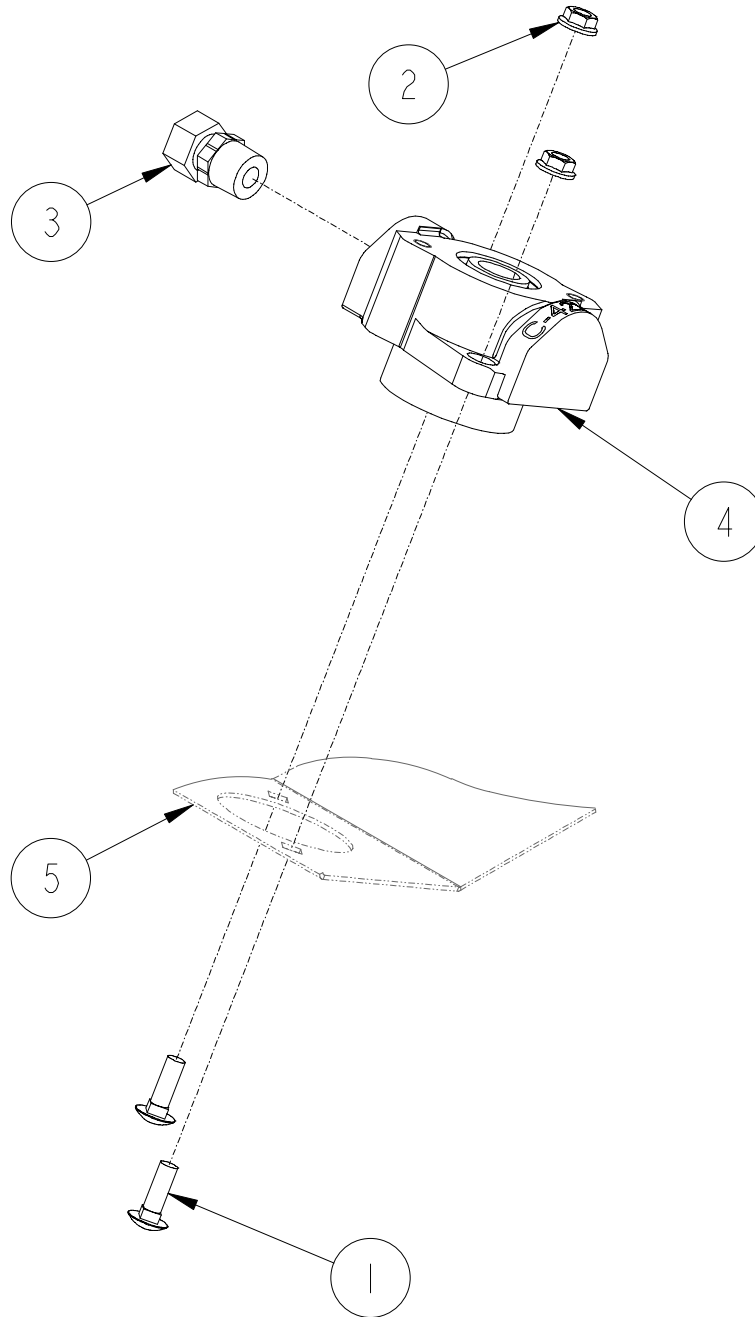
321170      Fuel Tube Hydraulic Assembly  
422624      Raceway Assembly

1-72816

---

# **OUTLET ADAPTER ASSEMBLY**

(MAXVAC)



1-72753

---

## OUTLET ADAPTER ASSEMBLY (MAXVAC)

---

ITEM NO.	PART NO.	DESCRIPTION
1	39-52198	5/16-18 x 1" Long Carriage Bolt
2	02-54752	5/16-18 M-F Flange Whiz Lock Nut
3	<u>Male</u>	
	1-232281	Elbow
	4-319636	Connector
4	1-422008	Outlet Adapter
5	<u>For parts call out of Chassis Assembly see:</u>	
	72779	H300C & H300D Series
	72724	H400C & H400D Series

Reference for Tokheim internal use only:

422624	Raceway Assembly (H400C & H400D Series)
422740	Raceway Assembly (H300C & H300D Series)

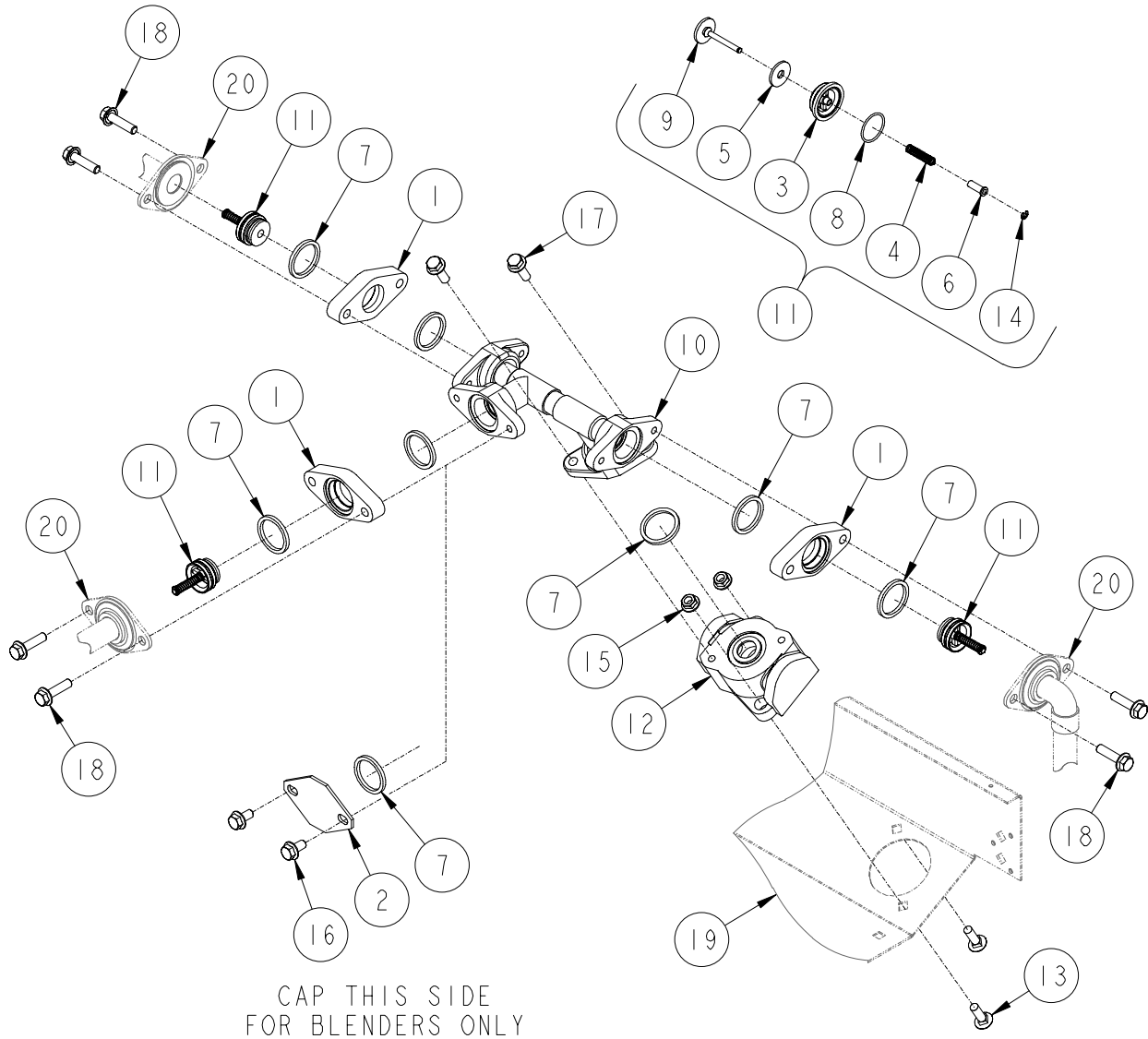
1-72753







OUTLET ADAPTER ASSEMBLY  
(MAXVAC)



2-72820

## OUTLET ADAPTER ASSEMBLY (MAXVAC)

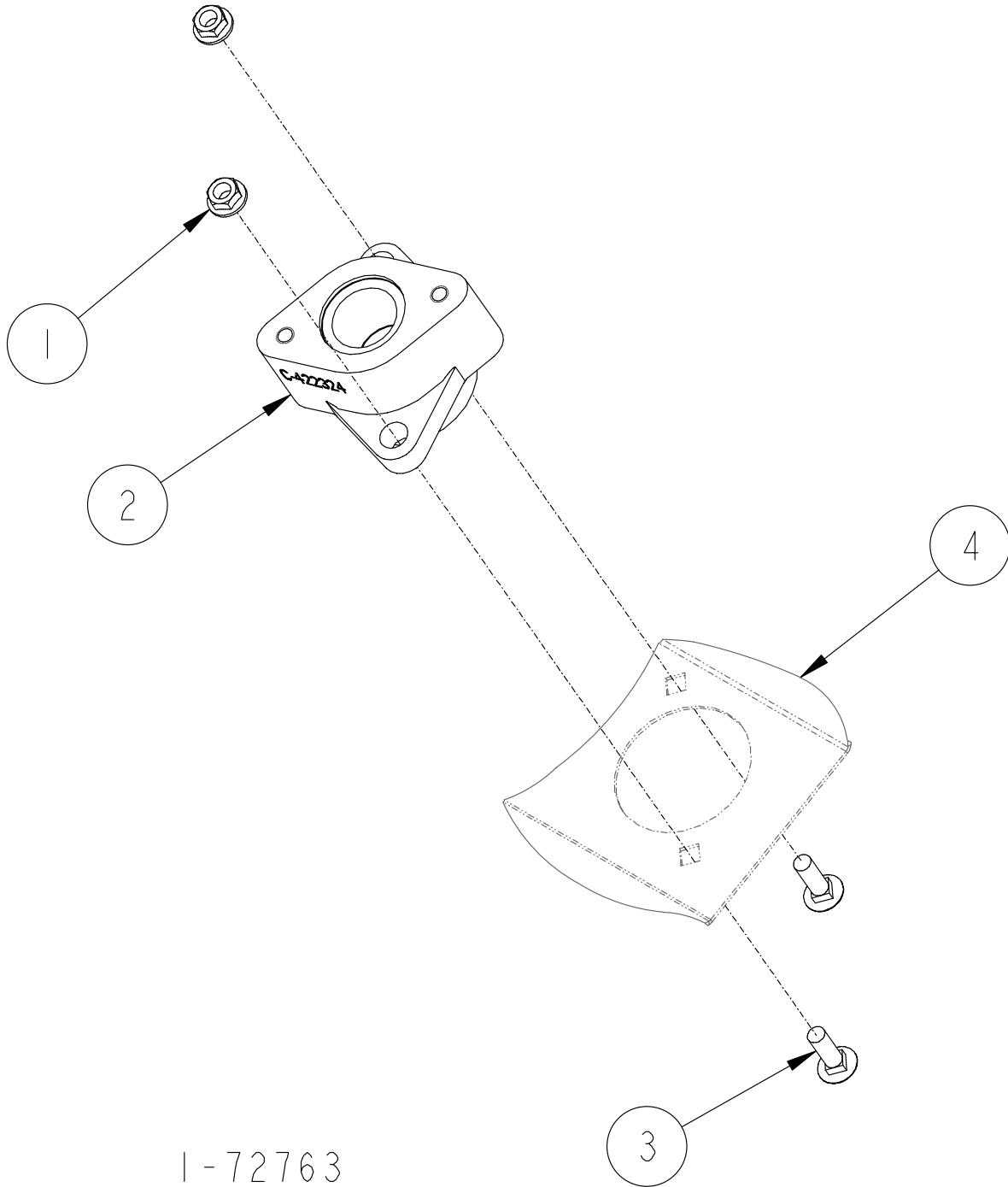
ITEM NO.	PART NO.	DESCRIPTION	ITEM NO.	PART NO.	DESCRIPTION
1	5-227299	Flange	17	38-55132	5/16-18 x 1" Long M-F Flange Whiz Lock Screw
2	1-228345	Manifold Cap	18	40-55132	5/16-18 x 1-1/4" Long M-F Flange Whiz Lock Screw
3	<u>Check Valve Seat</u>		19	<u>For parts call out of Chassis Assembly see 72724</u>	
	1-233801	All models except Canada	20	<u>For parts call out of Discharge Assembly see:</u>	
	2-233801	Canada		72801	H424C-IV
4	1-233802	Spring		72802	H424C-B3/4-IN/FN
5	1-233805	Poppet Seal		72803	H424C-B3/4+DEISEL-IV
6	1-233807	Stem Sleeve		72936	H422C-B3/5MR
7	13-313235	Gasket		72937	H424C-IN/FN
8	18-318940	O Ring		72939	H424C/D-TRIN/FN
9	<u>Poppet Assembly</u>			72941	H424C-B3/4TR-IN/FN
	1-321451	All models except Canada		<u>Reference for Tokheim internal use only:</u>	
	2-321451	Canada		422624	Raceway Assembly (H400C & H400D Series)
10	1-321491	Manifold Assembly			<i>2-72820</i>
11	<u>Check Valve Assembly</u>				
	321452-1	All models except Canada			
	321452-2	Canada			
12	1-422008	Outlet Adapter			
13	39-52198	5/16-18 x 1" Long Carriage Bolt			
14	05-52482	Truarc Retaining Ring			
15	02-54752	5/16-18 M-F Flange Whiz Lock Nut			
16	35-55132	5/16-18 x 5/8" Long M-F Flange Whiz Lock Screw			



---

# **OUTLET ADAPTER ASSEMBLY**

NON VAPOR



---

## OUTLET ADAPTER ASSEMBLY (NON VAPOR)

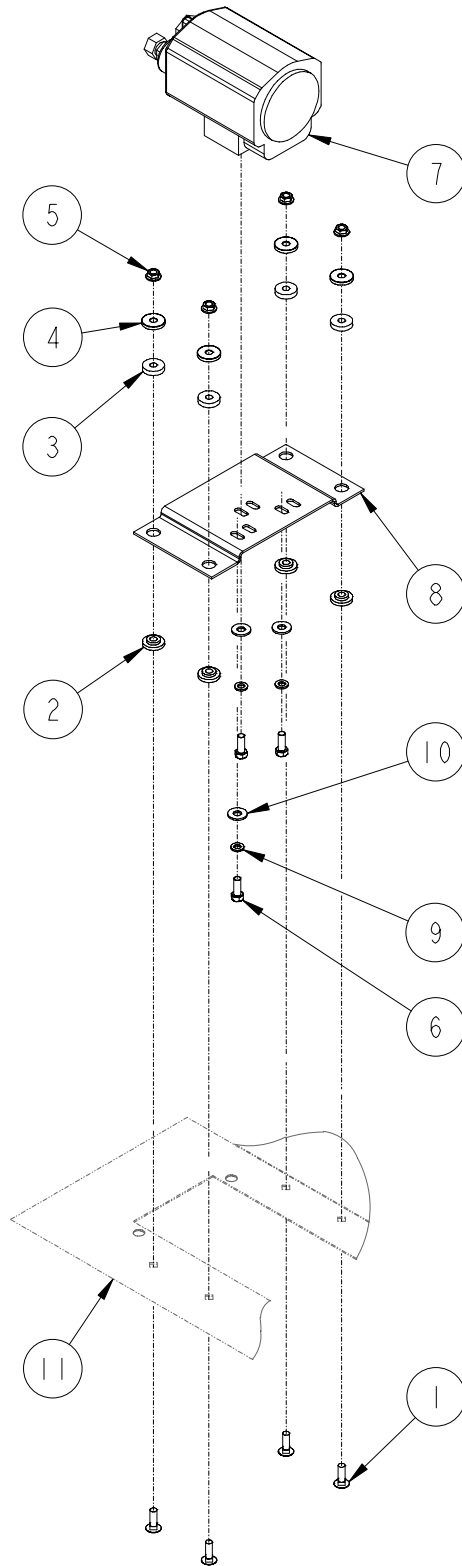
---

ITEM NO.	PART NO.	DESCRIPTION
1	02-54752	5/16-18 M-F Flange Whiz Lock Nut
2	1-422324	Outlet Adapter
3	39-52198	5/16-18 x 1" Long Carriage Bolt
4	<u>For parts call out of Chassis Assembly see:</u>	
	72779	H300C & H300D Series
	72724	H400C & H400D Series
	<u>Reference for Tokheim internal use only:</u>	
	422624	Raceway Assembly (H400C & H400D Series)
	422740	Raceway Assembly (H300C & H300D Series)

1-72763



MAX VAC ASSEMBLY



1-72751

---

**MaxVac ASSEMBLY**

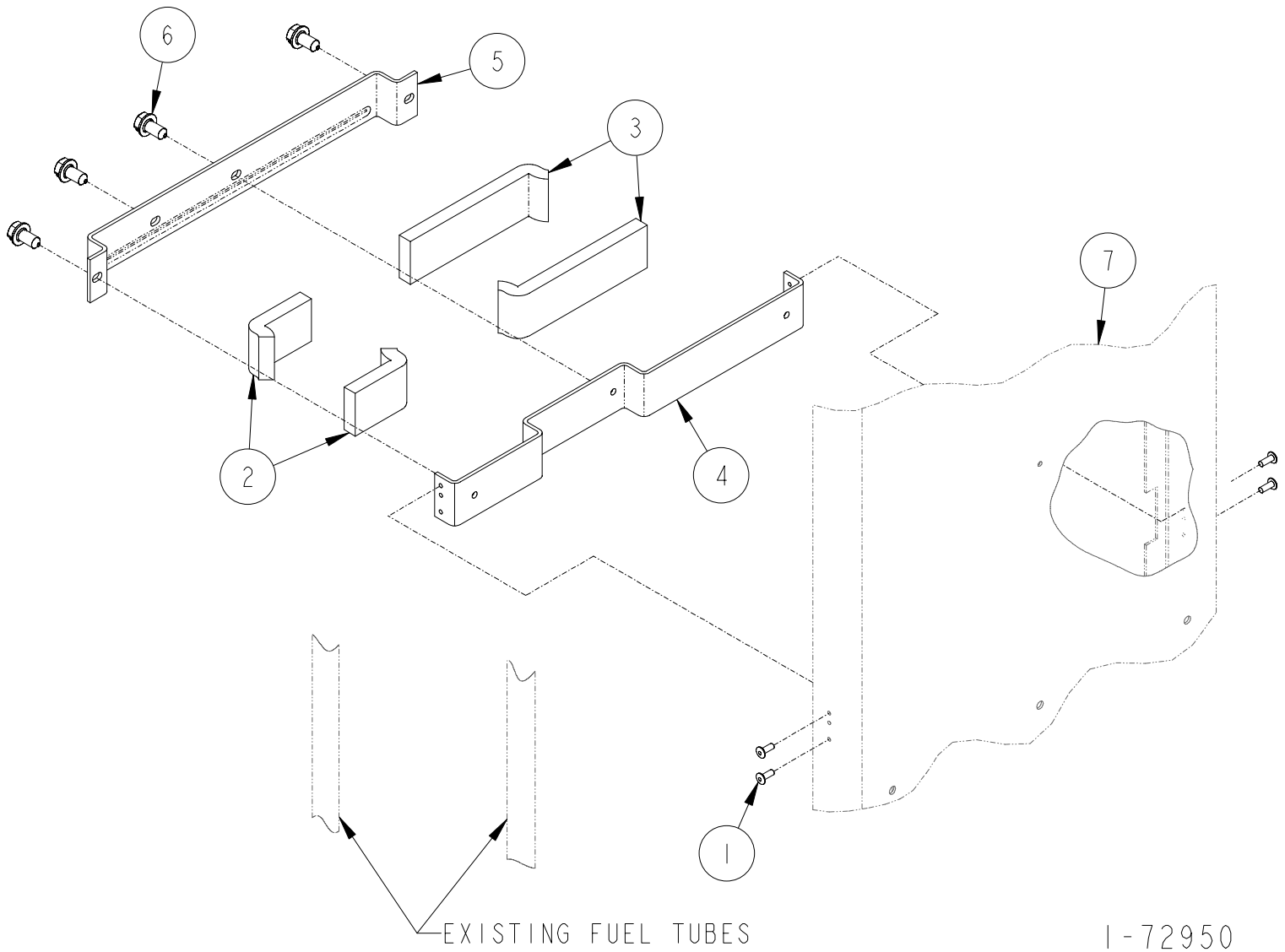

---

ITEM NO.	PART NO.	DESCRIPTION
1	39-52198	5/16-18 x 1" Long Carriage Bolt
2	1-114468	Cushion Grommet
3	1-114469	Cushion Washer
4	1-114470	Cushion Retainer
5	02-54752	5/16-18 M-F Flange Whiz Lock Nut
6	1-132767	M8 x 20mm Long Hex Head Machine Screw
7	3-421736	Vacuum Pump (Includes inlet filter)
	1-232793	Inlet Filter only
8	1-422671	MaxVac Pump Bracket
9	14-50641	5/16" Lockwasher
10	03-50611	5/16" Plate Washer
11	<u>For parts call out of Chassis Assembly see:</u>	
	72779	H300C & H300D Series
	72724	H400C & H400D Series
	<u>Reference for Tokheim internal use only:</u>	
	422740	Raceway Assembly

1-72751



# FUEL TUBE CLAMP ASSEMBLY



1-72950

## FUEL TUBE CLAMP ASSEMBLY

ITEM NO.	PART NO.	DESCRIPTION
1	2-128281	Rivet
2	15-317638	Cushion
3	49-317638	Cushion
4	1-321415	Tube Bracket
5	1-321416	Tube Holder
6	69-55392	1/4 x 1/2" Long Hex Washer Head Tapping Screw

7 For parts call out of Chassis Assembly see:

72779          45"

72724          30"

Reference for Tokheim internal use only:

321170          45"

321212          30"

1-72950

