

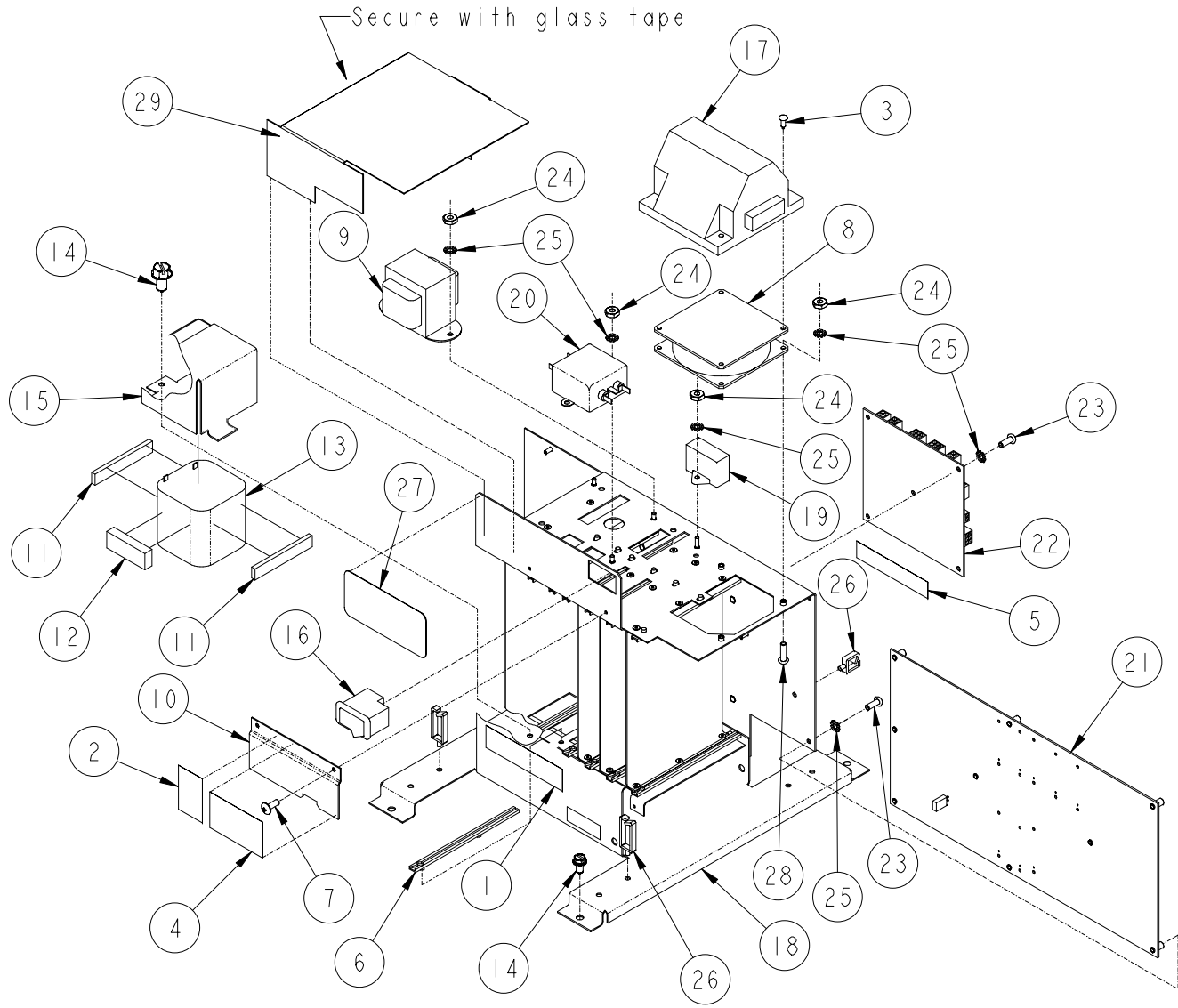
SECTION

5A

Premier “C” UDC Electronics

| | Page Number |
|--|--------------|
| Electrical Component & Power Supply Assembly | 5A-2, 5A-3 |
| Options Power Supply Assembly | 5A-4, 5A-5 |
| Wide Range Power Supply Assembly | 5A-6, 5A-7 |
| Card Cage Assembly | 5A-8 — 5A-11 |
| Handles/Pulser Barrier Assembly | 5A-12, 5A-13 |
| IS Barrier Assembly | 5A-14, 5A-15 |
| Motor Control & Power Supply Assembly | 5A-16, 5A-17 |
| <u>DPT Board Assembly</u> | |
| H300C Series | 5A-18, 5A-19 |
| H400C Series | 5A-20, 5A-21 |
| <u>Insight Board Assembly</u> | |
| H300C Series | 5A-22, 5A-23 |
| H400C Series | 5A-24, 5A-25 |
| <u>Router Board Assembly</u> | |
| H300C Series | 5A-26, 5A-27 |
| H400C Series | 5A-28, 5A-29 |
| Cash Acceptor Mounting Assembly | 5A-30, 5A-31 |

ELECTRICAL COMPONENT & POWER SUPPLY ASSEMBLY



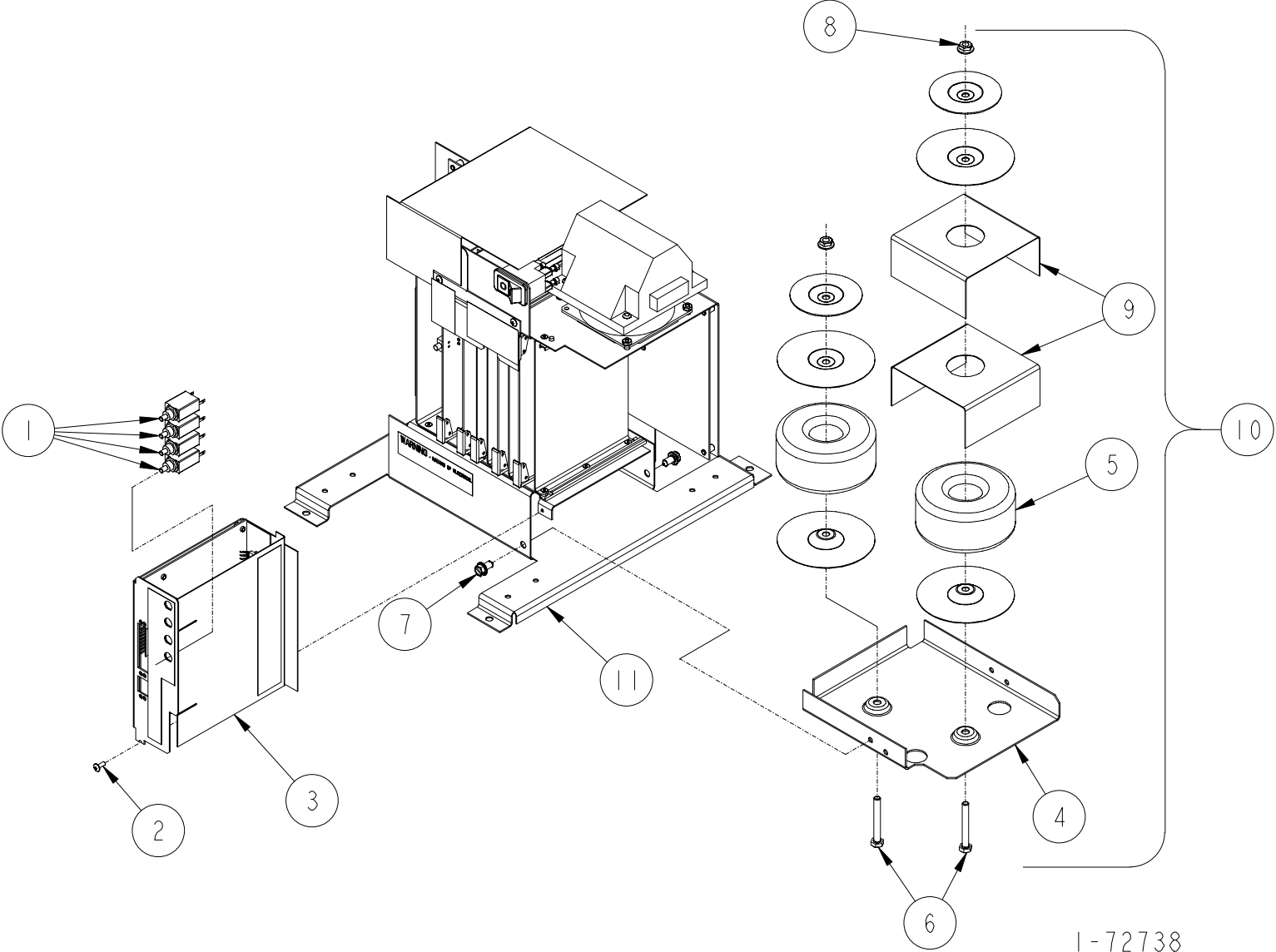
1-72732

ELECTRICAL COMPONENT & POWER SUPPLY ASSEMBLY

| ITEM NO. | PART NO. | DESCRIPTION | ITEM NO. | PART NO. | DESCRIPTION |
|----------|------------|---|----------|---|---|
| 1 | 1-130404 | Warning Label | 17 | <u>Heater</u> | |
| 2 | 1-132756 | Label (Test Interface Board) | | 1-232135 | 120 Volt |
| 3 | 1-132721 | Snap Rivet | | 3-232135 | 240 Volt |
| 4 | 1-226445 | Warning Label | 18 | <u>Card Cage & Support Assembly</u> | |
| 5 | 1-227816 | Label (Danger Hi Voltage) | | 422322-1 | Standard |
| 6 | 2-227818 | Card Guide | | 422322-2 | Wide Range Power Supply |
| 7 | 1-230689 | #6 x 3/8" Long Phillips Truss Head Self Tapping Screw | 19 | <u>Surge Protector</u> | |
| 8 | <u>Fan</u> | | | 319473-1 | 120 Volt |
| | 1-230737 | 120 Volt | | 319473-2 | 240 Volt |
| | 2-230737 | 240 Volt | 20 | 319481-1 | Filter Assembly |
| 9 | 231817-1 | Transformer Assembly | 21 | 420935-1 | Mother Board Assembly |
| 10 | 1-231849 | Circuit Board Retainer | 22 | 420955-1 | AC Distribution Board Assembly |
| 11 | 1-231891 | Cushion | 23 | 92-50021 | #6-32 x 3/8" Long Phillips Round Head Machine Screw |
| 12 | 5-227852 | Cushion | 24 | 03-50211 | #6-32 Hex Machine Nut |
| 13 | 12-315637 | Battery Pack | 25 | 03-50762 | #6 Shakeproof Lockwasher |
| 14 | 69-55392 | 1/4 x 1/2" Long Hex Washer Head Tapping Screw | 26 | 1-132718 | Cable Retainer |
| 15 | 1-321061 | Battery Holder | 27 | 1-225424 | Caution Label |
| 16 | 2-319178 | AC On/Off Switch | 28 | 96-50021 | #6-32 x 1/2" Long Round Head Machine Screw |



OPTIONS POWER SUPPLY ASSEMBLY



1-72738

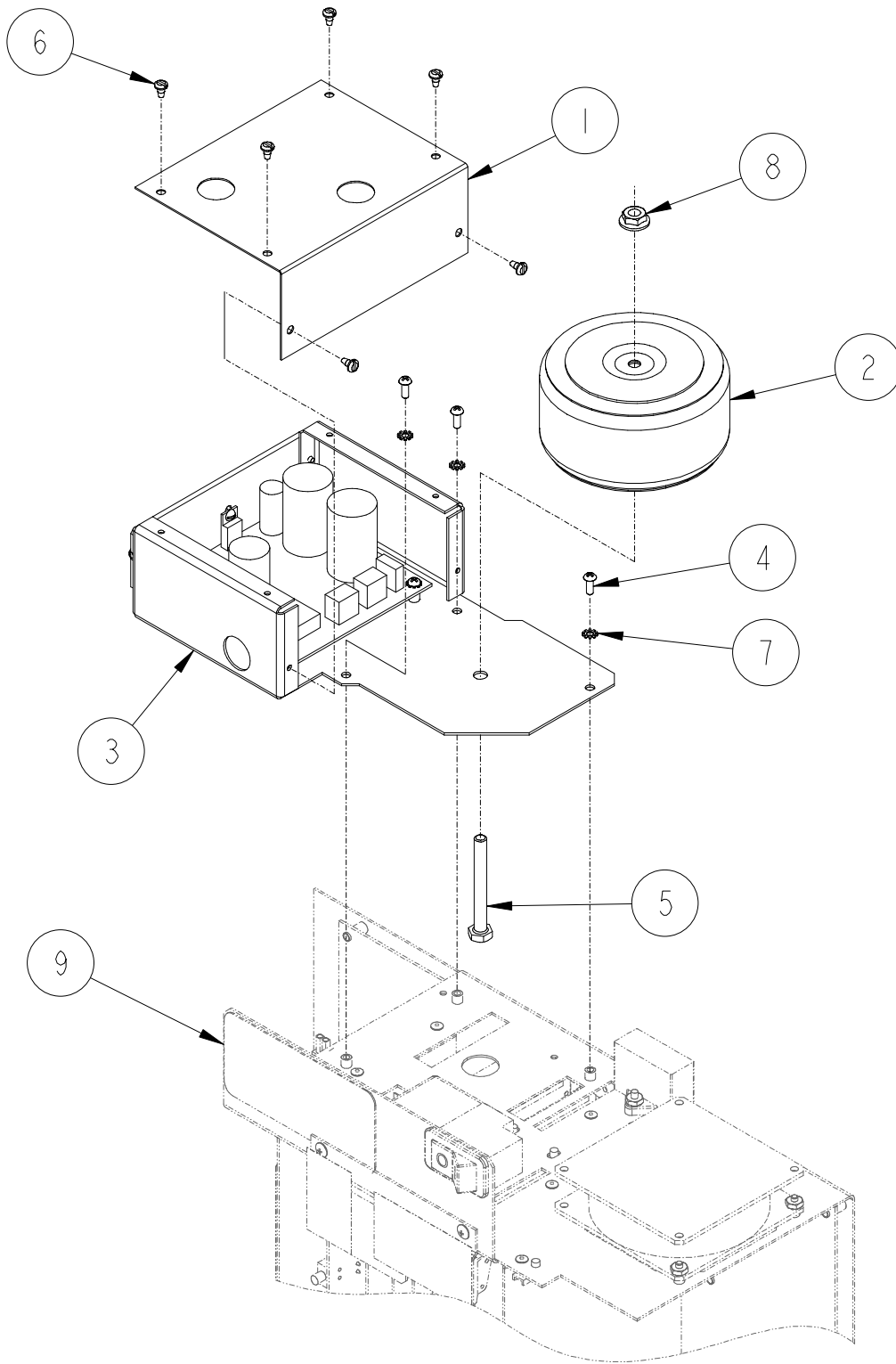
OPTIONS POWER SUPPLY ASSEMBLY

| ITEM NO. | PART NO. | DESCRIPTION |
|----------|-----------|---|
| 1 | | <u>Circuit Breaker (Dispenser Payment Terminal)</u> |
| | 6-228135 | 2 Amp |
| | 9-228135 | 3 Amp |
| 2 | 1-230689 | #6 x 3/8" Long Phillips Truss Head Self Tapping Screw |
| 3 | 319407-11 | Power Supply Board Assembly (Dispenser Pay Terminal) |
| 4 | 1-319422 | Transformer Bracket |
| 5 | 319582-1 | Transformer Assembly (DPT, Blender) |
| 6 | 09-50361 | 1/4-20 x 2" Long Hex Head Cap Screw |
| 7 | 10-51491 | #14 x 1/2" Long P-K Hex Head Self Tapping Screw |
| 8 | 01-54752 | 1/4-20 M-F Flange Whiz Lock Nut |
| 9 | 2-232278 | Transformer Shield |
| 10 | 319407-3 | Transformer Assembly (Includes item 3) |
| 11 | | <u>For parts call out of Electrical Component & Power & Power Supply Assembly see: 72732.</u> |

1-72738



WIDE RANGE POWER SUPPLY ASSEMBLY



1-72749

POWER SUPPLY ASSEMBLY (WIDE RANGE)

| ITEM NO. | PART NO. | DESCRIPTION |
|----------|--|---|
| 1 | 1-232747 | Insulator Cover |
| 2 | 319991-2 | Transformer Assembly |
| 3 | <u>Power Supply Board Assembly</u> | |
| | 421968-1 | 110 Volt |
| | 421968-4 | 220 Volt |
| 4 | 92-50021 | #6-32 x 3/8" Long Phillips Round Head Screw |
| 5 | 10-50361 | 1/4-20 x 2-1/4" Long Hex Head Cap Screw |
| 6 | 10-50481 | #6-32 x 1/4" Long Pan Head Thread Cutting Screw |
| 7 | 03-50762 | #6 Shakeproof Lockwasher |
| 8 | 01-54752 | 1/4-20 M-F Flange Whiz Lock Nut |
| 9 | <u>For parts call out of Electrical Component & Power Supply Assembly see 72732.</u> | |

For complete Wide Range Power Supply order:

| | |
|----------|----------|
| 232804-1 | 120 Volt |
| 232804-2 | 240 Volt |

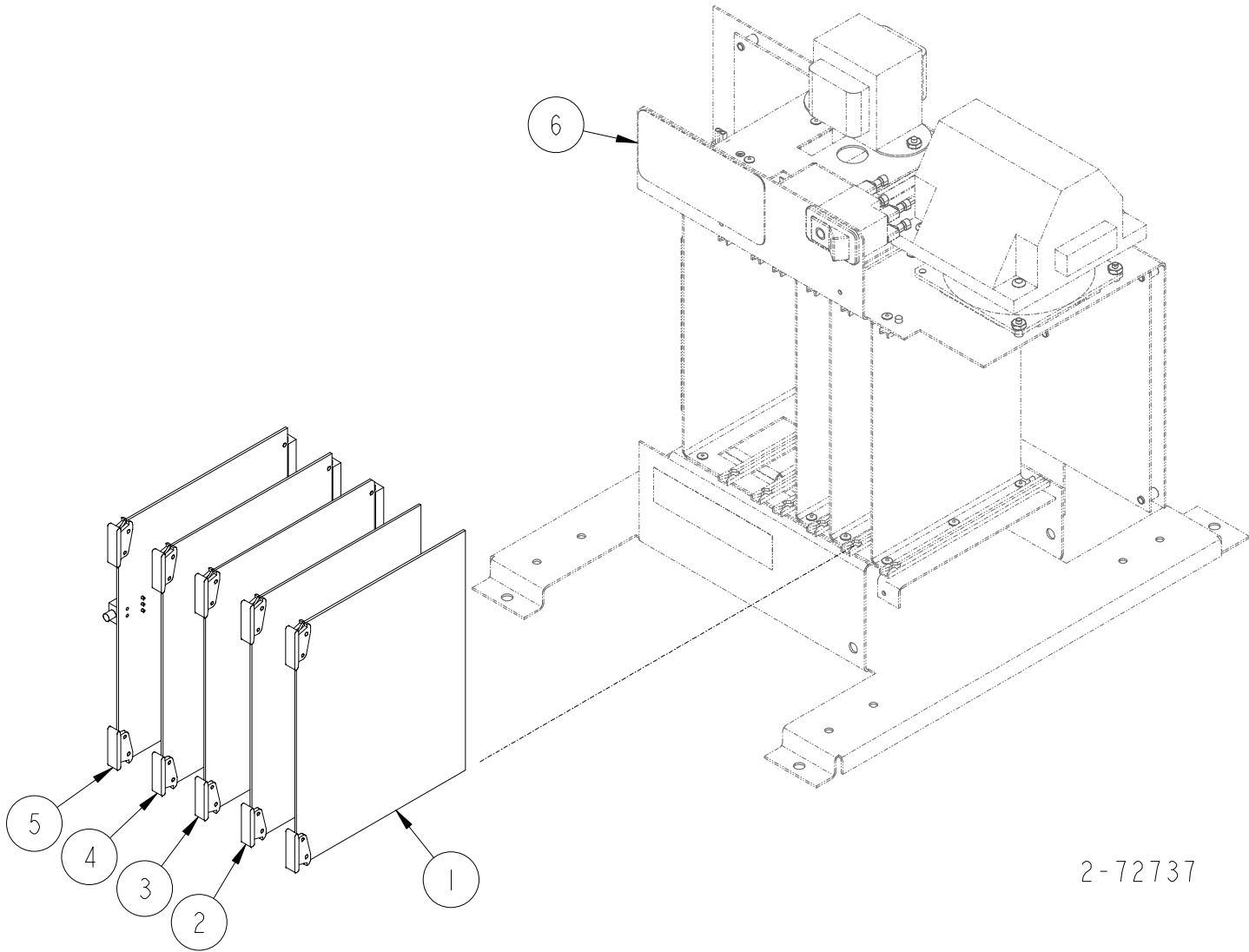
Reference for Tokheim internal use only:

| | |
|--------|--------------------|
| 422323 | Card Cage Assembly |
|--------|--------------------|

1-72749

5
A

CARD CAGE ASSEMBLY



2-72737

CARD CAGE ASSEMBLY

| ITEM NO. | PART NO. | DESCRIPTION | ITEM NO. | PART NO. | DESCRIPTION |
|---|------------|---|---|------------|---|
| Model: H311C, H312C, H322C & H324C | | | | | |
| 1 | 421084-1 | Relay Board Assembly | 6 | | <u>For parts call out of Electrical Component & Power Supply Assembly see 72732</u> |
| 3 | | <u>Multiplex Board Assembly</u> | Model: H322C-RHVMM | | |
| | 421420-1 | MaxVac | 1 | 421084-5 | Relay Board Assembly |
| | 421420-4 | Without MaxVac | 2 | 421084-1 | Relay Board Assembly |
| 4 | 421124-6 | Expanded Computer Board Assembly (Order EPROM Separately) | 3 | | <u>Multiplex Board Assembly</u> |
| | 742-314950 | EPROM (Domestic) | | 421420-1 | MaxVac |
| | 743-314950 | EPROM (International) | | 421420-4 | Without MaxVac |
| 5 | | <u>Interface Board Assembly</u> | 4 | 421124-6 | Expanded Computer Board Assembly (Order EPROM Separately) |
| | 421087-1 | 120 Volt | | 742-314950 | EPROM (Domestic) |
| | 421087-2 | 220 Volt | | 743-314950 | EPROM (International) |
| 6 | | <u>For parts call out of Electrical Component & Power Supply Assembly see 72732</u> | 5 | | <u>Interface Board Assembly</u> |
| Model: H311C-RHVM & H322C-RHVMS | | | | 421087-1 | 120 Volt |
| 1 | 421084-5 | Relay Board Assembly | | 421087-2 | 220 Volt |
| 3 | | <u>Multiplex Board Assembly</u> | 6 | | <u>For parts call out of Electrical Component & Power Supply Assembly see 72732</u> |
| | 421420-1 | MaxVac | Model: H312C-RHVMM & H324C-RHVMS | | |
| | 421420-4 | Without MaxVac | 1 | 421084-5 | Relay Board Assembly |
| 4 | 421124-6 | Expanded Computer Board Assembly (Order EPROM Separately) | 2 | 421084-5 | Relay Board Assembly |
| | 742-314950 | EPROM (Domestic) | 3 | | <u>Multiplex Board Assembly</u> |
| | 743-314950 | EPROM (International) | | 421420-1 | MaxVac |
| 5 | | <u>Interface Board Assembly</u> | | 421420-4 | Without MaxVac |
| | 421087-1 | 120 Volt | | | |
| | 421087-2 | 220 Volt | | | |



CARD CAGE ASSEMBLY CONTINUED

| ITEM NO. | PART NO. | DESCRIPTION | ITEM NO. | PART NO. | DESCRIPTION |
|---|------------|---|---|------------|---|
| Model: H312C-RHVMM & H324C-RHVMS (Continued) | | | Model: H311C-B3/5, H322C-B3/5, H411C-B3/5, H413C-EB, H422C-B3/5 & H426C-EB (Continued) | | |
| 4 | 421124-6 | Expanded Computer Board Assembly (Order EPROM Separately) | 6 | | For parts call out of Electrical Component & Power Supply Assembly see <u>72732</u> |
| | 742-314950 | EPROM (Domestic) | | | |
| | 743-314950 | EPROM (International) | | | |
| 5 | | <u>Interface Board Assembly</u> | Model: H411C, H413C, H422C & H426C | | |
| | 421087-1 | 120 Volt | 1 | 421084-1 | Relay Board Assembly |
| | 421087-2 | 220 Volt | 2 | 421084-3 | Relay Board Assembly |
| 6 | | For parts call out of Electrical Component & Power Supply Assembly see <u>72732</u> | 3 | | <u>Multiplex Board Assembly</u> |
| Model: H311C-B3/5, H322C-B3/5, H411C-B3/5, H413C-EB, H422C-B3/5 & H426C-EB | | | | 421420-1 | MaxVac |
| 1 | 421084-2 | Relay Board Assembly | | 421420-4 | Without MaxVac |
| 2 | 421284-1 | Valve Interface Board Assembly | 4 | 421124-6 | Expanded Computer Board Assembly (Order EPROM Separately) |
| 3 | | <u>Blender Control Board Assembly</u> | | 742-314950 | EPROM (Domestic) |
| | 421186-4 | Without MaxVac | | 743-314950 | EPROM (International) |
| | 421574-5 | MaxVac | 5 | | <u>Interface Board Assembly</u> |
| 4 | 421124-6 | Expanded Computer Board Assembly (Order EPROM Separately) | | 421087-1 | 120 Volt |
| | 742-314950 | EPROM (Domestic) | | 421087-2 | 240 Volt |
| | 743-314950 | EPROM (International) | 6 | | For parts call out of Electrical Component & Power Supply Assembly see <u>72732</u> |
| 5 | | <u>Interface Board Assembly</u> | | | |
| | 421087-1 | 120 Volt | | | |
| | 421087-2 | 240 Volt | | | |

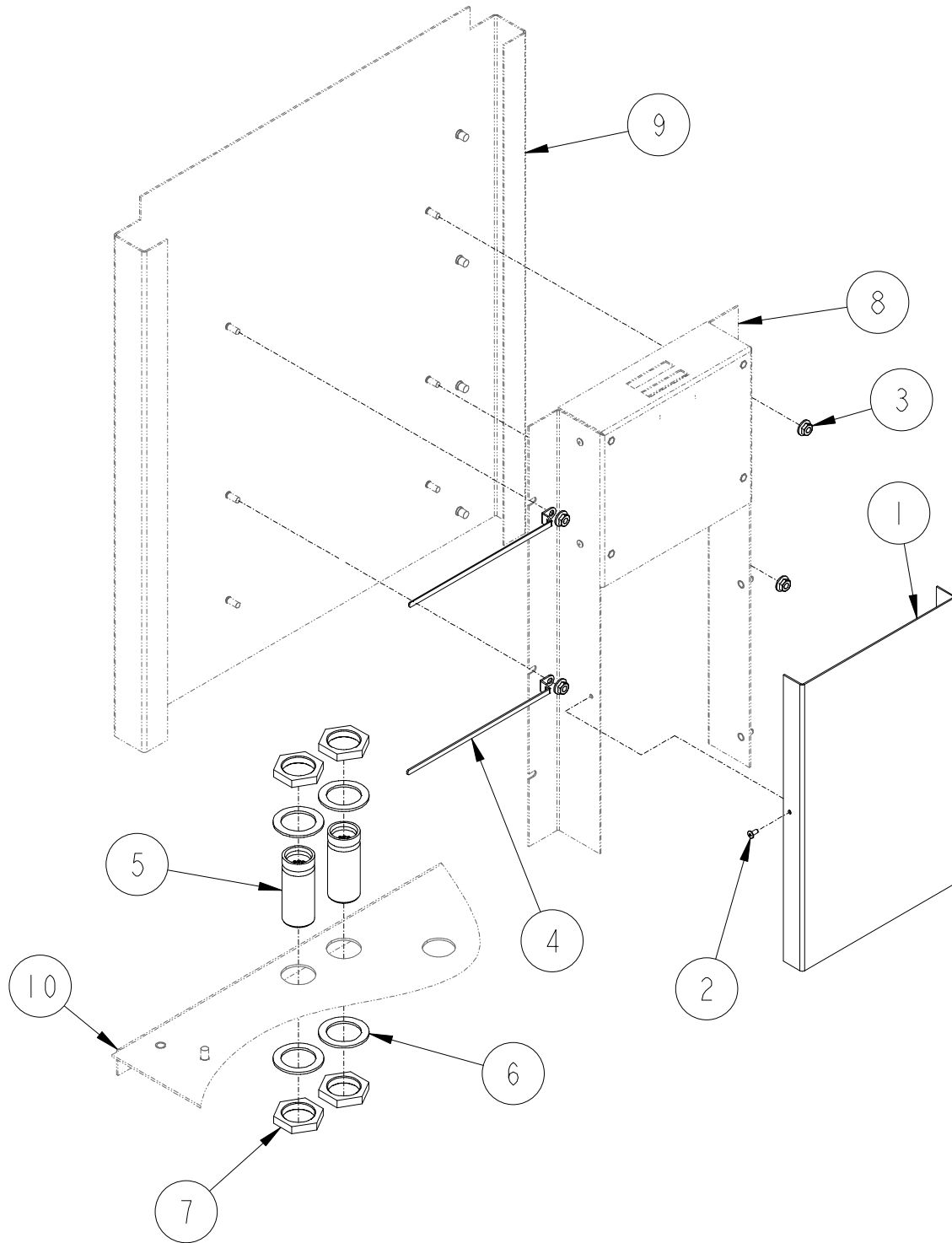
CARD CAGE ASSEMBLY CONTINUED

| ITEM NO. | PART NO. | DESCRIPTION | ITEM NO. | PART NO. | DESCRIPTION |
|---------------------------------|---|--|---|---|--|
| Model: H414C & H428C | | | Model: H412C-B3/4, H414C-EB, H424C-B3/4 & H428C-EB | | |
| 1 | 421084-1 | Relay Board Assembly | 1 | 421084-2 | Relay Board Assembly |
| 2 | 421084-1 | Relay Board Assembly | 2 | 421084-3 | Relay Board Assembly |
| 3 | <u>Multiplex Board Assembly</u> | | 3 | <u>Blender Control Board Assembly</u> | |
| | 421420-1 | MaxVac | | 421186-4 | Without MaxVac |
| | 421420-4 | Without MaxVac | | 421574-5 | MaxVac |
| 4 | 421124-6 | Expanded Computer Board Assembly (Order EPROM Separately) | 4 | 421124-6 | Expanded Computer Board Assembly (Order EPROM Separately) |
| | 742-314950 | EPROM (Domestic) | | 742-314950 | EPROM (Domestic) |
| | 743-314950 | EPROM (International) | | 743-314950 | EPROM (International) |
| 5 | <u>Interface Board Assembly</u> | | 5 | <u>Interface Board Assembly</u> | |
| | 421087-1 | 120 Volt | | 421087-1 | 120 Volt |
| | 421087-2 | 240 Volt | | 421087-2 | 240 Volt |
| 6 | <u>For parts call out of Electrical Component & Power Supply Assembly see 72732</u> | | 6 | <u>For parts call out of Electrical Component & Power Supply Assembly see 72732</u> | |

2-72737



HANDLES/PULSER BARRIER ASSEMBLY



1-72757

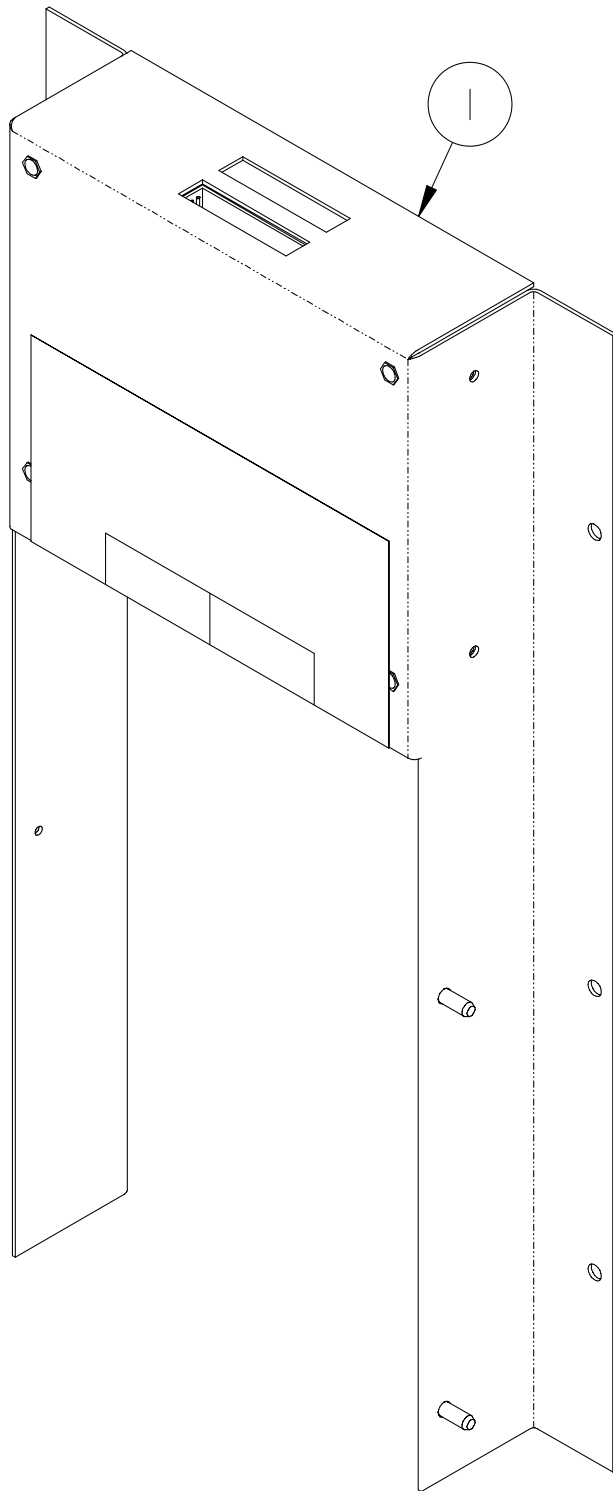
HANDLES/PULSER BARRIER ASSEMBLY

| ITEM NO. | PART NO. | DESCRIPTION |
|----------|---|---|
| 1 | 1-321156 | Installation Cover |
| 2 | 2-232748 | Pop Rivet |
| 3 | 03-54752 | #10-24 M-F Flange Whiz Lock Nut |
| 4 | 4-228918 | Cable Clamp |
| 5 | <u>Handles/Pulser Harness Assembly</u> | |
| | 422758-1 | H411C, H413C, H422C, H422C-B3/4, H424C-B3/4, H426C, H426C-EB (Side "A") |
| | 422758-2 | H422C, H422C-B3/4, H424C-B3/4, H426C, H426C-EB (Side "B") |
| | 422758-3 | H424C, H428C, H428C-EB (Product 1 & 2) |
| | 422758-4 | H424C, H428C, H428C-EB (Product 3 & 4) |
| | 422758-5 | H311C, H312C, H322C, H322C-B3/5, H324C |
| 6 | 1-132777 | Conduit Washer |
| 7 | 1-132791 | Hexagon Locknut |
| 8 | <u>For parts call out of IS Barrier Assembly see 72788.</u> | |
| 9 | <u>For parts call out of Chassis Assembly see:</u> | |
| | 72779 | H300C Series |
| | 72724 | H400C Series |
| 10 | <u>For parts call out of Head Assembly see:</u> | |
| | 72768 | H300C Series |
| | 72758 | H400C Series |
| | <u>Reference for Tokheim internal use only:</u> | |
| | 321096 | Head Assembly (H300C Series) |
| | 321084 | Head Assembly (H400C Series) |
| | 321204 | Chassis Assembly (H300C Series) |
| | 321153 | Chassis Assembly (H400C Series) |
| | 321217 | Final Assembly (H400C Series) |
| | 321218 | Final Assembly (H300C Series) |

5
A

1-72757

I.S. BARRIER ASSEMBLY



2-72788

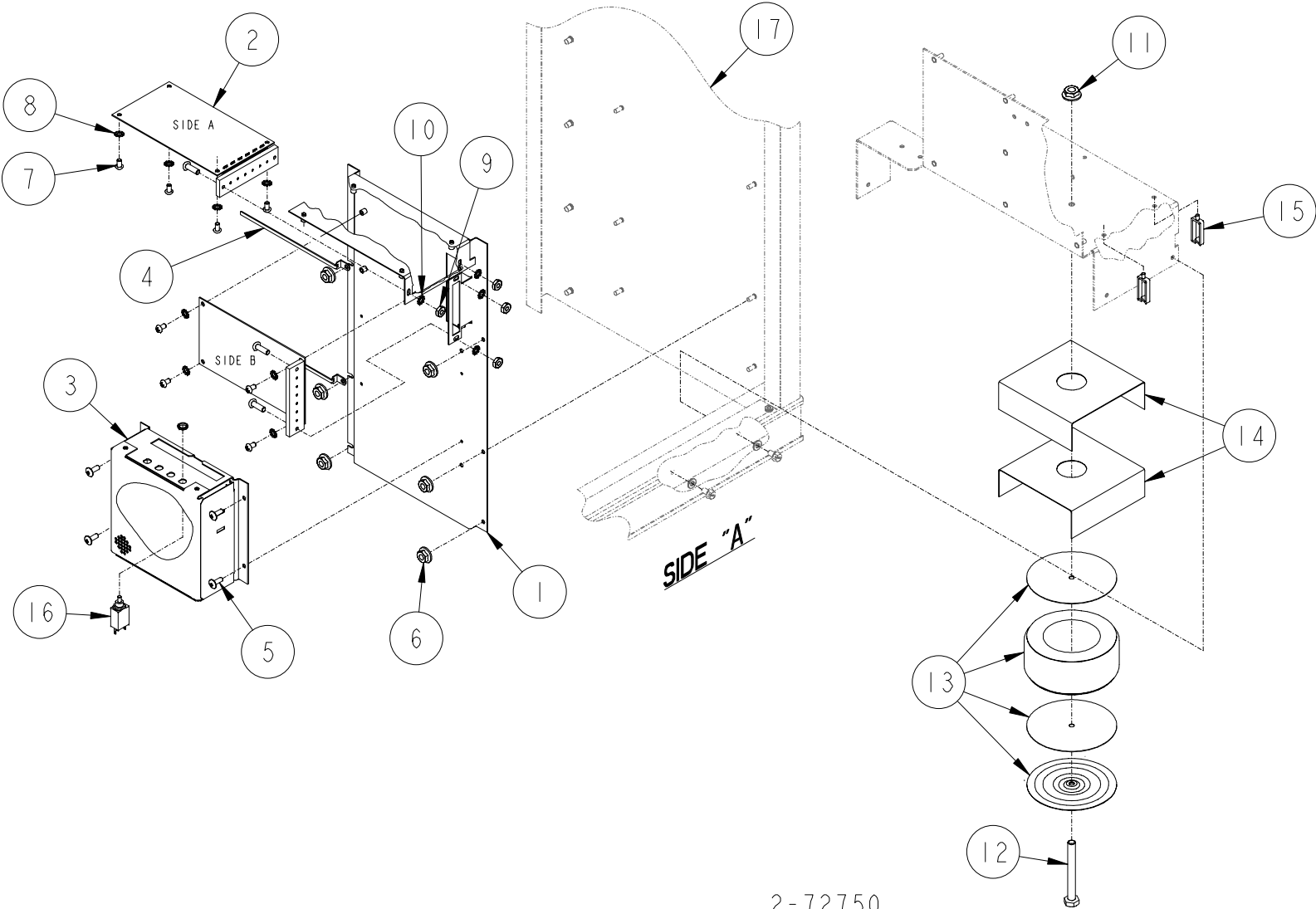
I.S. BARRIER ASSEMBLY

| ITEM NO. | PART NO. | DESCRIPTION |
|----------|-----------|--|
| 1 | | <u>Handle/Pulser Barrier Assembly</u> |
| | 321139-4 | 4 Nozzles (H322C, H322C-B3/5, H324C) |
| | 321139-5 | 6 Nozzles (H422C, H422C-B3/5, H424C-B3/4, H426C, H426C-EB) |
| | 321139-6 | 8 Nozzles (H424C, H428C, H428C) |
| | 321139-10 | 4 Nozzles (Canada)(H322C, H322C-B3/5, H324C) |
| | 321139-12 | 8 Nozzles (Canada)(H424C, H428C, H428C) |
| | 321139-14 | H300C-HV Series |
| | 321139-19 | H300C-HV Series (Canada) |

2-72788

**5
A**

MOTOR CONTROL & POWER SUPPLY ASSEMBLY



2-72750

MOTOR CONTROL & POWER SUPPLY ASSEMBLY

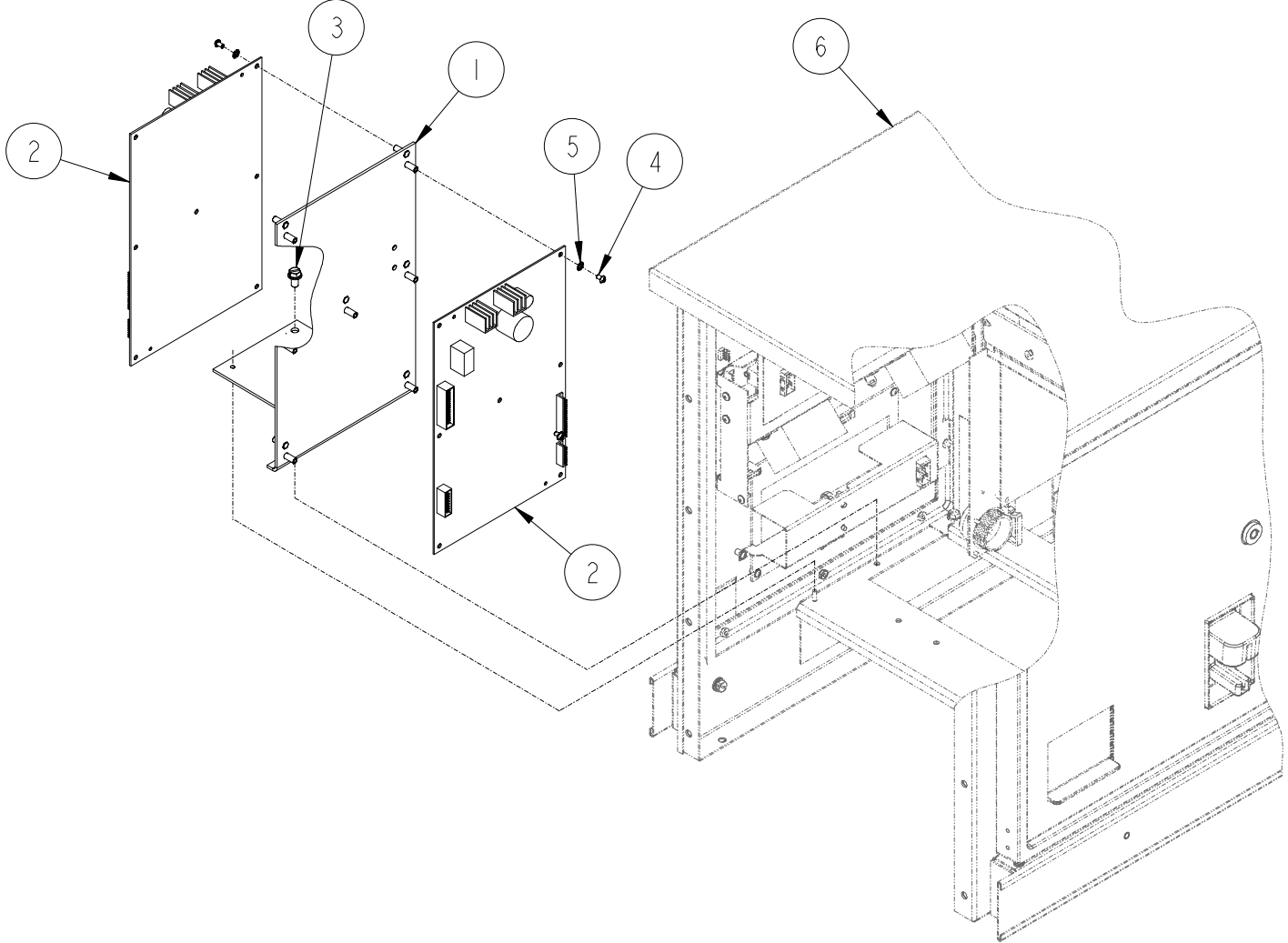
| ITEM NO. | PART NO. | DESCRIPTION |
|----------|------------------------------|---|
| 1 | 321069-1 | MaxVac Mounting Bracket Assembly |
| 2 | 421449-1 | Mini Motor Control Board Assembly |
| 3 | <u>Power Supply Assembly</u> | |
| | 319683-3 | 120 Volt |
| | 319683-4 | 240 Volt |
| 4 | 4-228918 | Cable Clamp |
| 5 | 2-230689 | #6 x 3/8" Long Phillips Head Self Tapping Screw |
| 6 | 03-54752 | #10-24 M-F Flange Whiz Lock Nut |
| 7 | 88-50021 | #6-32 x 1/4" Long Phillips Round Head Machine Screw |
| 8 | 03-50762 | #6 Shakeproof Lockwasher |
| 9 | 03-50211 | #6-32 Hex Machine Nut |
| 10 | 96-50021 | #6-32 x 1/2" Long Phillips Round Head Machine Screw |
| 11 | 01-54752 | 1/4-20 M-F Flange Whiz Lock Nut |
| 12 | 10-50361 | 1/4-20 x 2-1/4" Long Hex Head Cap Screw |
| 13 | 318942-2 | Transformer Assembly |
| 14 | 1-232278 | Transformer Shield |
| 15 | 1-132718 | Cable Retainer |

| ITEM NO. | PART NO. | DESCRIPTION |
|----------|---|----------------------------------|
| 16 | Circuit Breaker | |
| | 6-228135 | 2 Amp |
| | 9-228135 | 3 Amp |
| 17 | <u>For parts call out of Head Assembly see:</u> | |
| | 72768 | H300C Series |
| | 72758 | H400C Series |
| | <u>Reference for Tokheim internal use only:</u> | |
| | 319500 | Circuit Breaker Harness Assembly |
| | 321096 | H300C Series Head Assembly |
| | 321084 | H400C Series Head Assembly |

2-72750



H300C SERIES DPT BOARD ASSEMBLY



1-72764

H300C SERIES DPT BOARD ASSEMBLY

| ITEM NO. | PART NO. | DESCRIPTION |
|----------|---|---|
| 1 | 422766-1 | DPT Bracket Assembly |
| 2 | <u>Board Assembly</u> | |
| | 420929-11 | DPT (works with receipt cutters will cut paper) |
| | 420929-13 | TDS (will cut paper) |
| | 420929-14 | DPT (Hebrew) |
| | 421844-1 | Debit |
| 3 | 69-55392 | #14 x 1/2" Long Hex Washer Head Tapping Screw |
| 4 | 88-50021 | #6-32 x 1/4" Long Phillips Round Head Machine Screw |
| 5 | 03-50762 | #6 Shakeproof Lockwasher |
| 6 | <u>For parts call out of Head Assembly see: 72768</u> | |

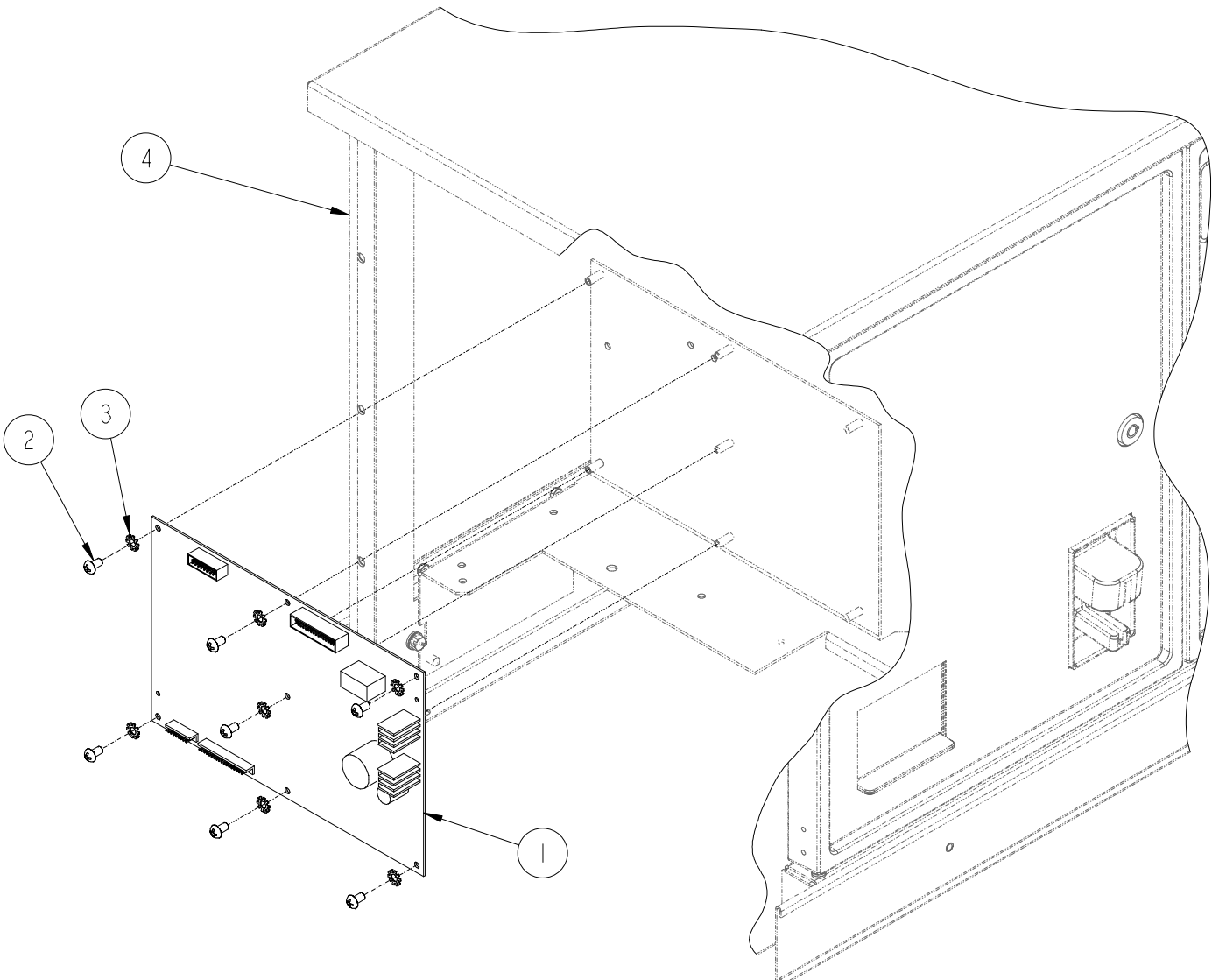
Reference for Tokheim internal use only:

321096 Head Assembly

1-72764



H400C SERIES DPT BOARD ASSEMBLY



1-72755

H400C SERIES DPT BOARD ASSEMBLY

| ITEM NO. | PART NO. | DESCRIPTION |
|----------|---|---|
| 1 | <u>Board Assembly</u> | |
| | 420929-11 | DPT (works with receipt cutters will cut paper) |
| | 420929-13 | TDS INSIGHT (will cut paper) |
| | 420929-14 | DPT (Hebrew) |
| | 421844-1 | Debit |
| 2 | 88-50021 | #6-32 x 1/4" Long Phillips Round Head Machine Screw |
| 3 | 03-50762 | #6 Shakeproof Lockwasher |
| 4 | <u>For parts call out of Head Assembly see: 72758</u> | |

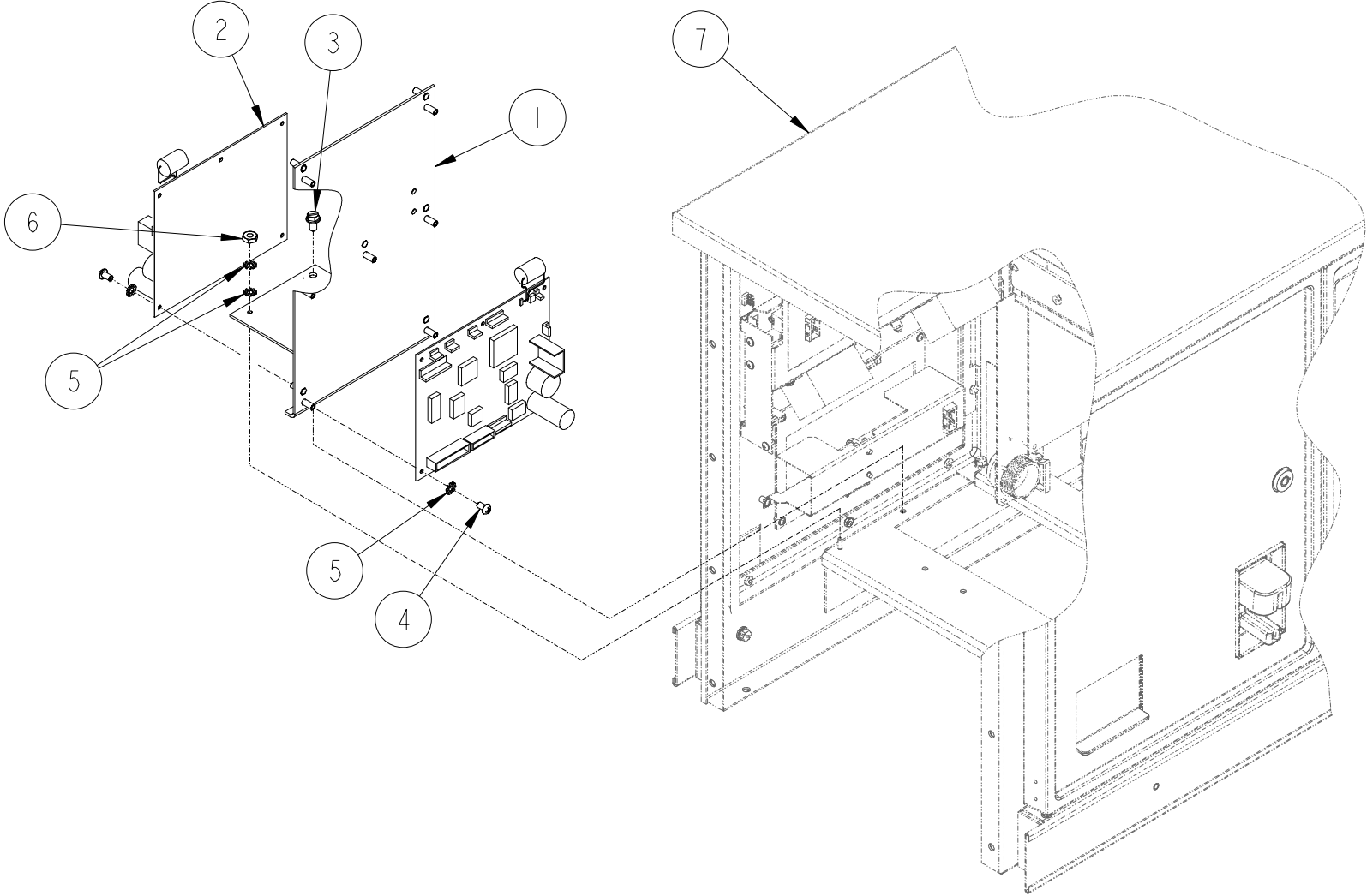
Reference for Tokheim internal use only:

321084 Head Assembly

1-72755



H300C SERIES INSIGHT BOARD ASSEMBLY



1-72767

H300C SERIES INSIGHT BOARD ASSEMBLY

| ITEM NO. | PART NO. | DESCRIPTION |
|----------|----------|-------------|
|----------|----------|-------------|

| | | |
|---|---|---|
| 1 | 422766-1 | DPT Bracket Assembly |
| 2 | <u>Board Assembly</u> | |
| | 1-422335 | Graphic DPT |
| | 2-422335 | InSight (Injected) |
| 3 | 69-55392 | #14 x 1/2" Long Hex Washer Head Tapping Screw |
| 4 | 88-50021 | #6-32 x 1/4" Long Phillips Round Head Machine Screw |
| 5 | 03-50762 | #6 Shakeproof Lockwasher |
| 6 | 03-50211 | #6-32 Hex Machine Nut |
| 5 | <u>For parts call out of Head Assembly see: 72768</u> | |

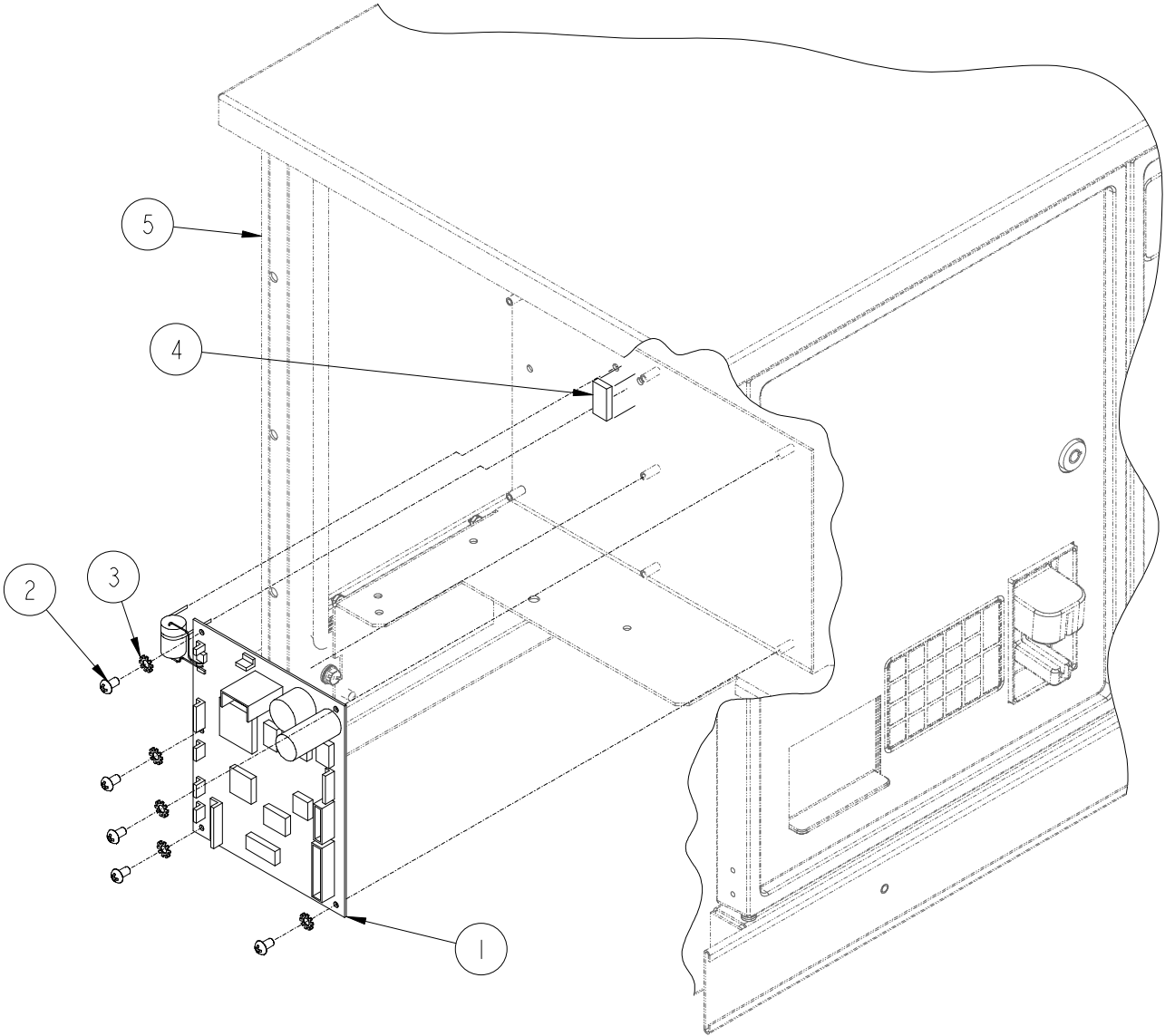
Reference for Tokheim internal use only:

321096 Head Assembly

1-72767



H400C SERIES INSIGHT BOARD ASSEMBLY



1-72756

H400C SERIES INSIGHT BOARD ASSEMBLY

| ITEM NO. | PART NO. | DESCRIPTION |
|----------|----------|-------------|
|----------|----------|-------------|

- | | | |
|---|---|---|
| 1 | <u>Board Assembly</u> | |
| | 1-422335 | Graphic DPT |
| | 2-422335 | InSight (Injected) |
| 2 | 88-50021 | #6-32 x 1/4" Long Phillips Round Head Machine Screw |
| 3 | 03-50762 | #6 Shakeproof Lockwasher |
| 4 | 31-232722 | Cushion |
| 5 | <u>For parts call out of Head Assembly see: 72758</u> | |

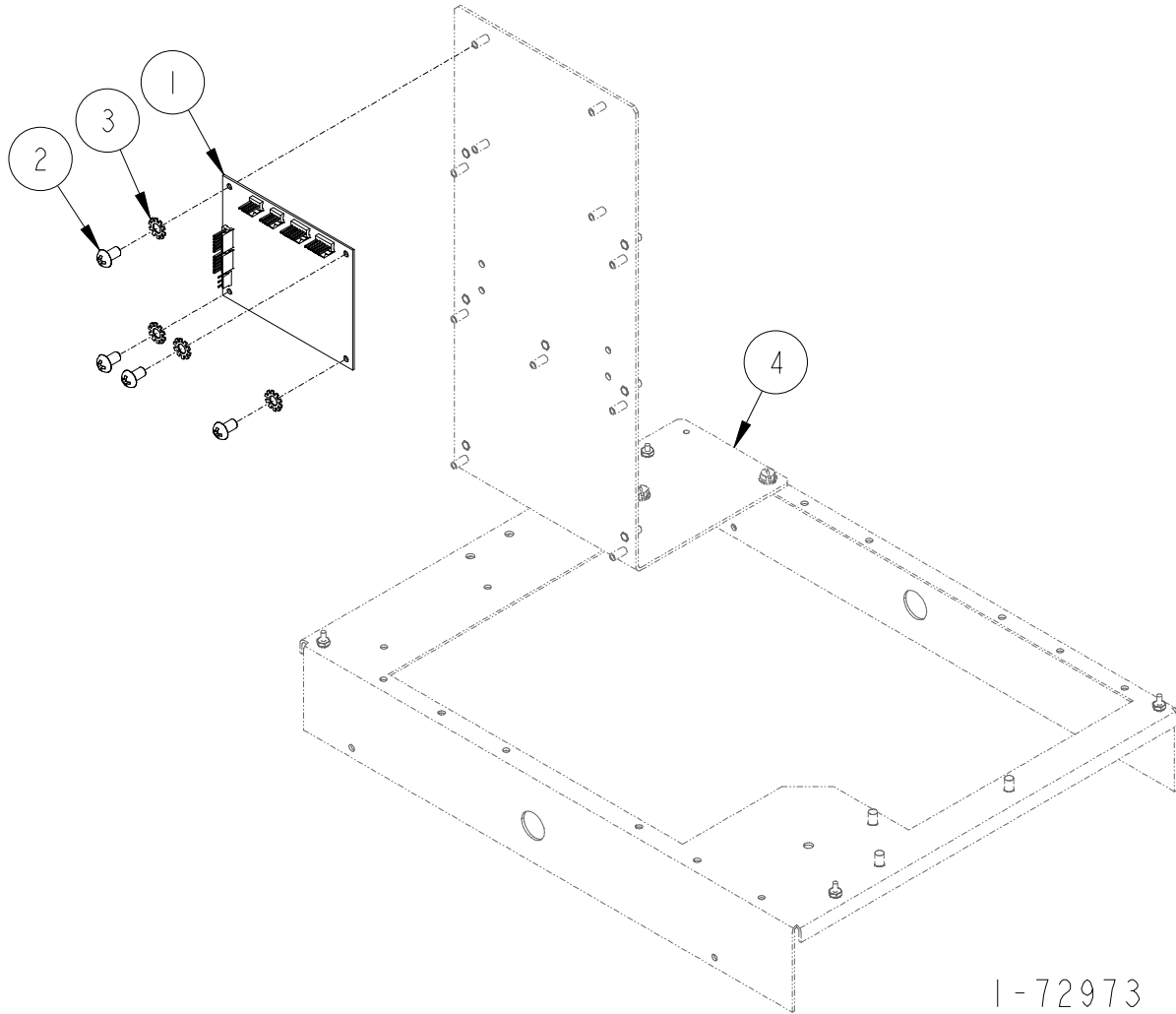
Reference for Tokheim internal use only:

321084 Head Assembly

1-72756



ROUTER BOARD ASSEMBLY
(FOR TI*RFID OR BAR CODE SCANNER)
H300C SERIES



1-72973

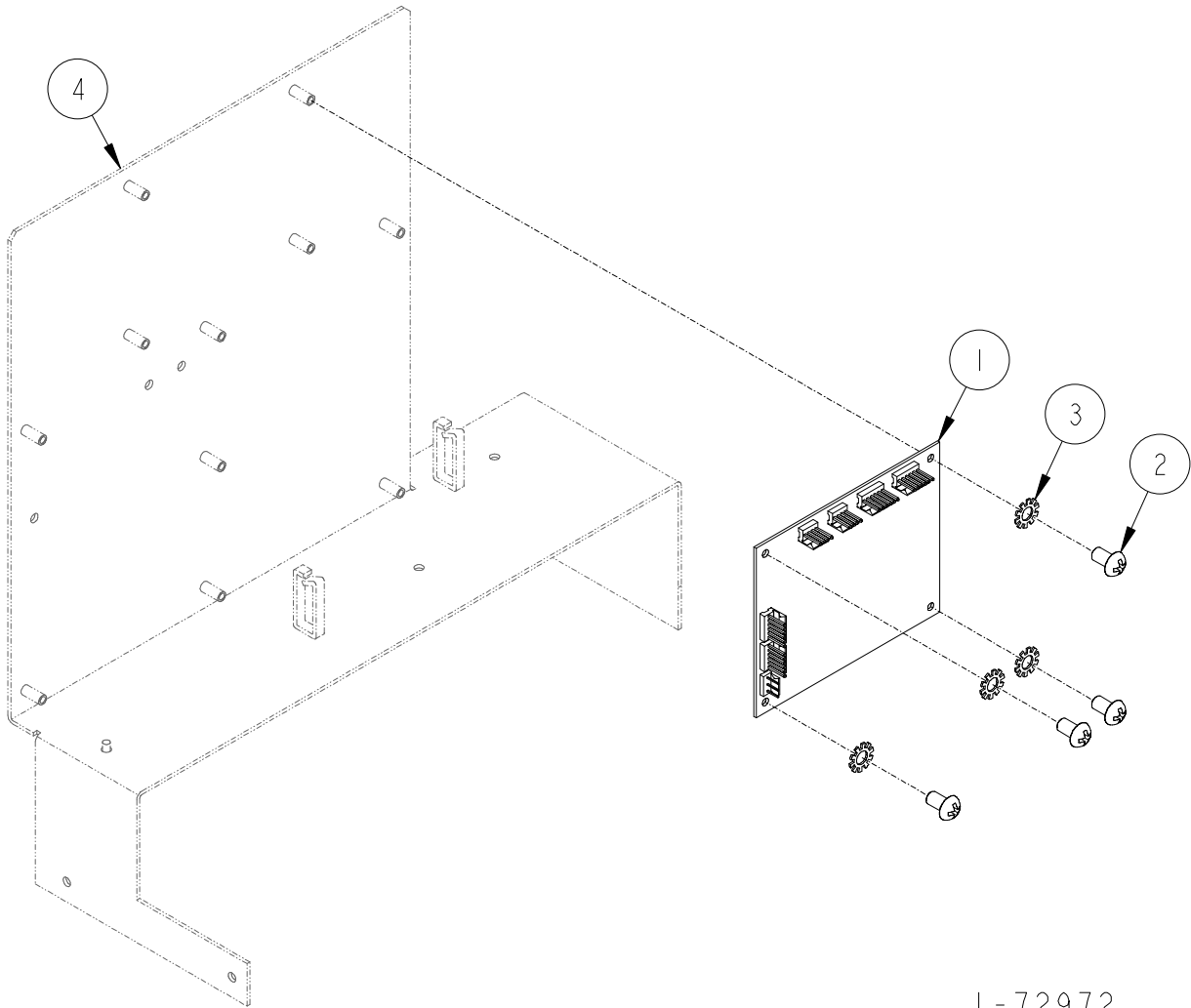
ROUTER BOARD ASSEMBLY
(FOR TI*RFID OR BAR CODE SCANNER)
H300C SERIES

| ITEM NO. | PART NO. | DESCRIPTION |
|----------|---|---|
| 1 | 1-422782 | Router Board Assembly |
| 2 | 88-50021 | #6-32 x 1/4" Long Phillips Round Head Screw |
| 3 | 03-50762 | #6 Shakeproof Lockwasher |
| 4 | <u>For parts call out of:</u> | |
| | 72764 | H400C Series DPT Board Assembly |
| | 72767 | H400C Series INSIGHT Board Assembly |
| | 72768 | H300C Series Head Assembly |
| | <u>Reference for Tokheim internal use only:</u> | |
| | 321096 | Head Assembly |

1-72973

5
A

ROUTER BOARD ASSEMBLY
(FOR TI*RFID OR BAR CODE SCANNER)
H400C SERIES



1-72972

ROUTER BOARD ASSEMBLY
(FOR TI*RFID OR BAR CODE SCANNER)
H400C SERIES

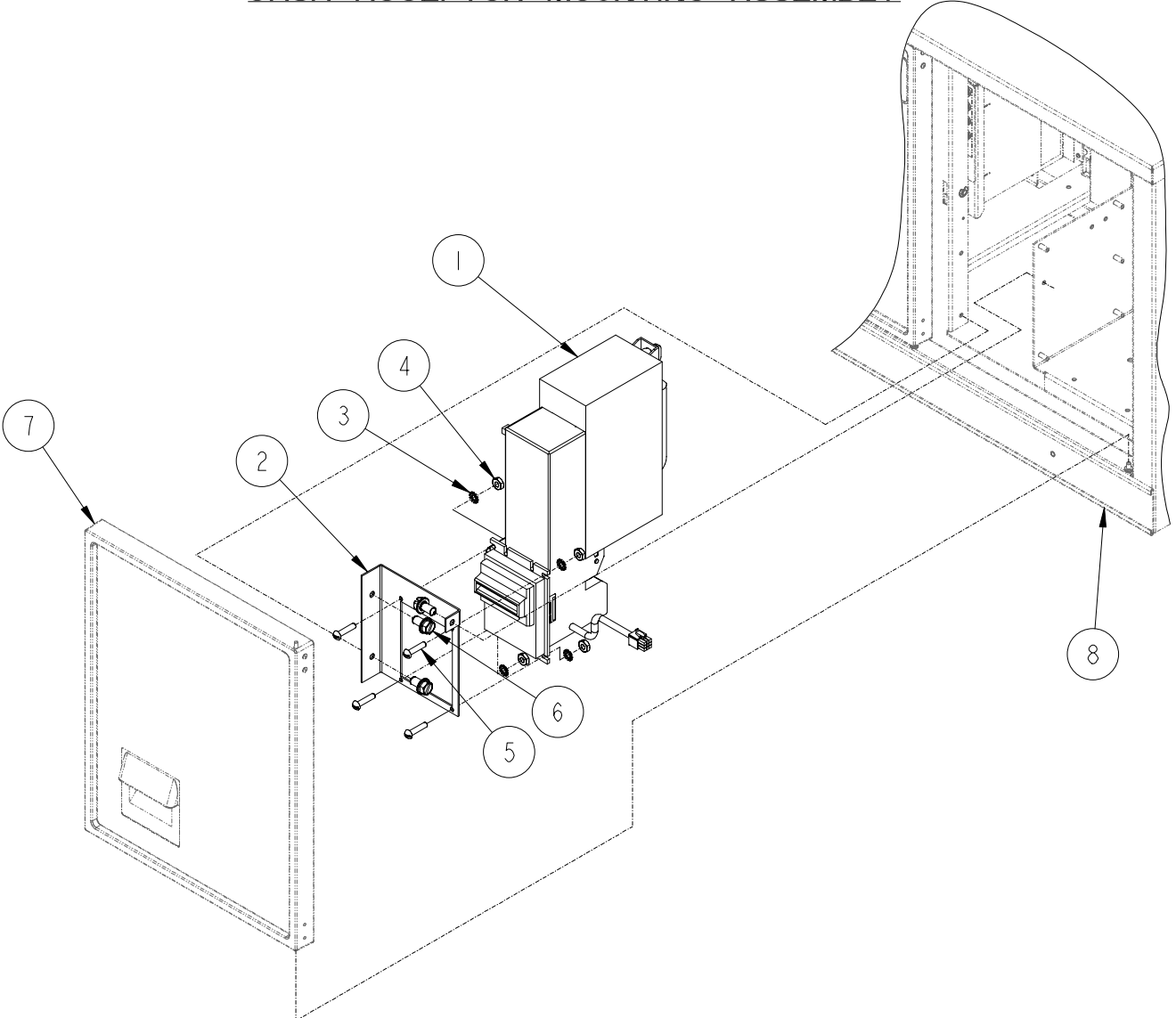
| ITEM NO. | PART NO. | DESCRIPTION |
|----------|---|---|
| 1 | 1-422782 | Router Board Assembly |
| 2 | 88-50021 | #6-32 x 1/4" Long Phillips Round Head Screw |
| 3 | 03-50762 | #6 Shakeproof Lockwasher |
| 4 | <u>For parts call out of:</u> | |
| | 72755 | H400C Series DPT Board Assembly |
| | 72756 | H400C Series INSIGHT Board Assembly |
| | 72758 | H400C Series Head Assembly |
| | <u>Reference for Tokheim internal use only:</u> | |
| | 321084 | Head Assembly |

1-72972



5
A

CASH ACCEPTOR MOUNTING ASSEMBLY



1-72754

CASH ACCEPTOR MOUNTING ASSEMBLY

| ITEM NO. | PART NO. | DESCRIPTION |
|----------|--|---|
| 1 | 2-321055 | Locking Cassette Only |
| | 3-321055 | Cash Acceptor with Locking Cassette |
| 2 | 1-321129 | Cash Acceptor Bracket |
| 3 | 04-50761 | #8 Shakeproof Lockwasher |
| 4 | 04-50211 | #8-32 Hex Machine Nut |
| 5 | 178-50001 | #8-32 x 3/4" Long Round Head Machine Screw |
| 6 | 69-55392 | 1/4 x 1/2" Long Hex Washer Head Tapping Screw |
| 7 | <u>For parts call out of Cash Acceptor Dial see 72776.</u> | |
| 8 | <u>For parts call out of Head Assembly see 72758.</u> | |

Reference for Tokheim internal use only:

321084 Head Assembly

1-72754

