

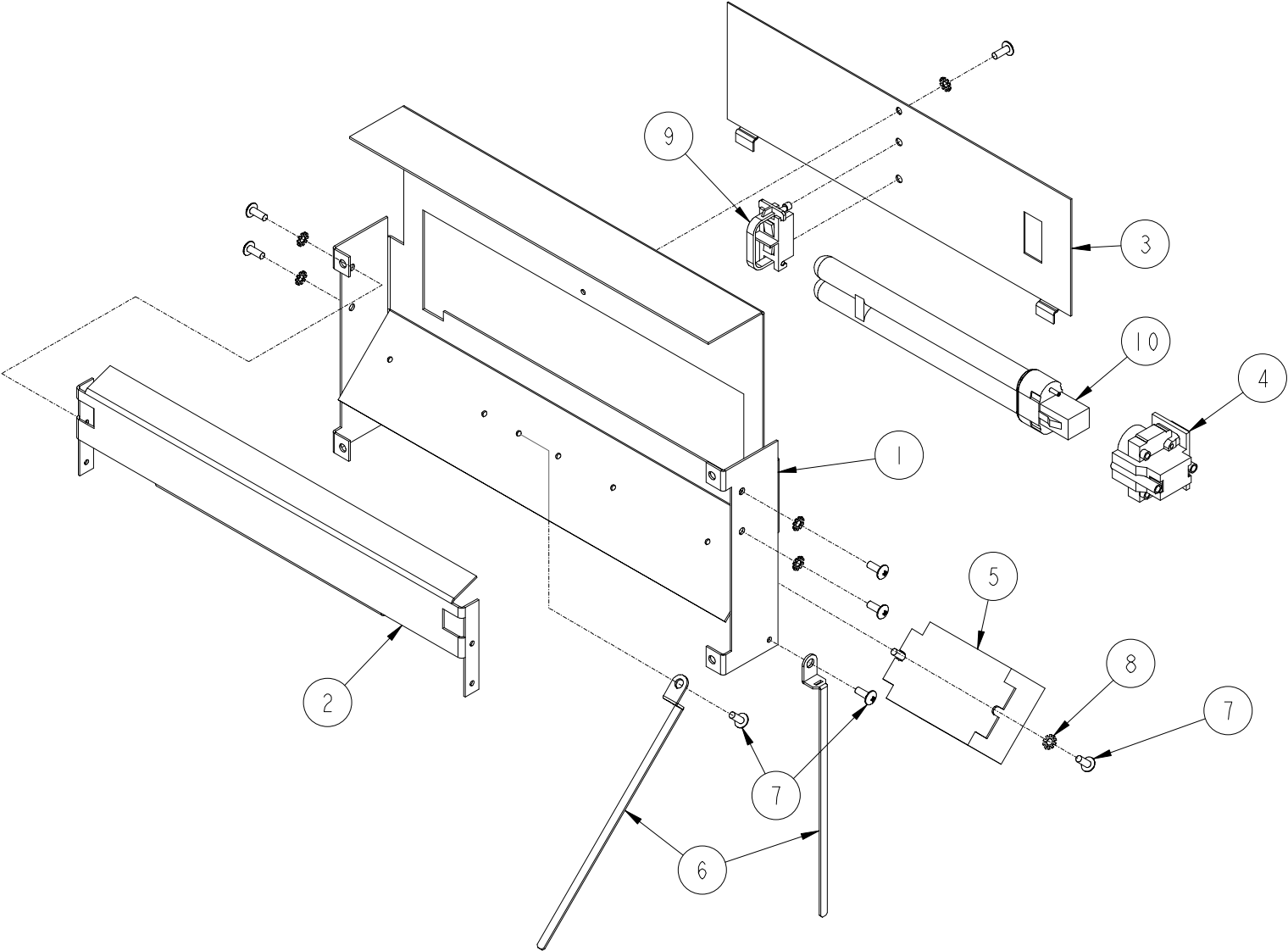
# SECTION

## Premier “C” Dials

# 6A

	Page Number
Money/Volume Backlight Display Assembly .....	6A-2, 6A-3
Money/Volume Dial Assembly .....	6A-4, 6A-5
<u>Money/Volume Panel Assembly</u>	
No DPT & DPT .....	6A-6, 6A-7
INSIGHT .....	6A-8
This page reserved for future use .....	6A-9
DPT Dial Assembly .....	6A-10, 6A-11
DPT TDS+ Dial Assembly .....	6A-12, 6A-13
Insight Dial Assembly .....	6A-14, 6A-15
Cash Acceptor Dial Assembly .....	6A-16, 6A-17
Printer & Card Reader Dial Assembly .....	6A-18, 6A-19
TDS & TDS Plus Insight Dial Assembly .....	6A-20, 6A-21
Printer Dial Assembly .....	6A-22, 6A-23
<u>Bar Code Scan</u>	
45" with or without Cash Acceptor .....	6A-24, 6A-25
30" with Card Reader & Printer .....	6A-26, 6A-27
TI-RFID Dial Assembly .....	6A-28, 6A-29
Access Dial Assembly (Left Side) With or Without Pump Stop .....	6A-30, 6A-31
Dial Blank Assembly (Center & Right Side) .....	6A-32, 6A-33
Money/Volume Panel Assembly Color Chart .....	6A-34

# MONEY/VOLUME BACKLIGHT DISPLAY ASSEMBLY



1-72769

## MONEY/VOLUME BACKLIGHT DISPLAY ASSEMBLY

ITEM NO.	PART NO.	DESCRIPTION
1	1-321117	Money/Volume Reflector
2	1-233667	Backlight Shield
3	1-233668	Lamp Bracket
4	2-232121	Lampholder
5	<u>Ballast &amp; Harness Assembly</u>	
	422778-1	120 Volt 60hz
	422778-2	240 Volt 50hz
	422778-3	240 Volt 60hz
6	3-228918	Cable Clamp
7	2-230689	#6 x 3/8" Long Phillips Truss Head Self Tapping Screw
8	03-50762	#6 Shakeproof Lockwasher
9	2-232121	Lampholder Support
10	4-232122	Light

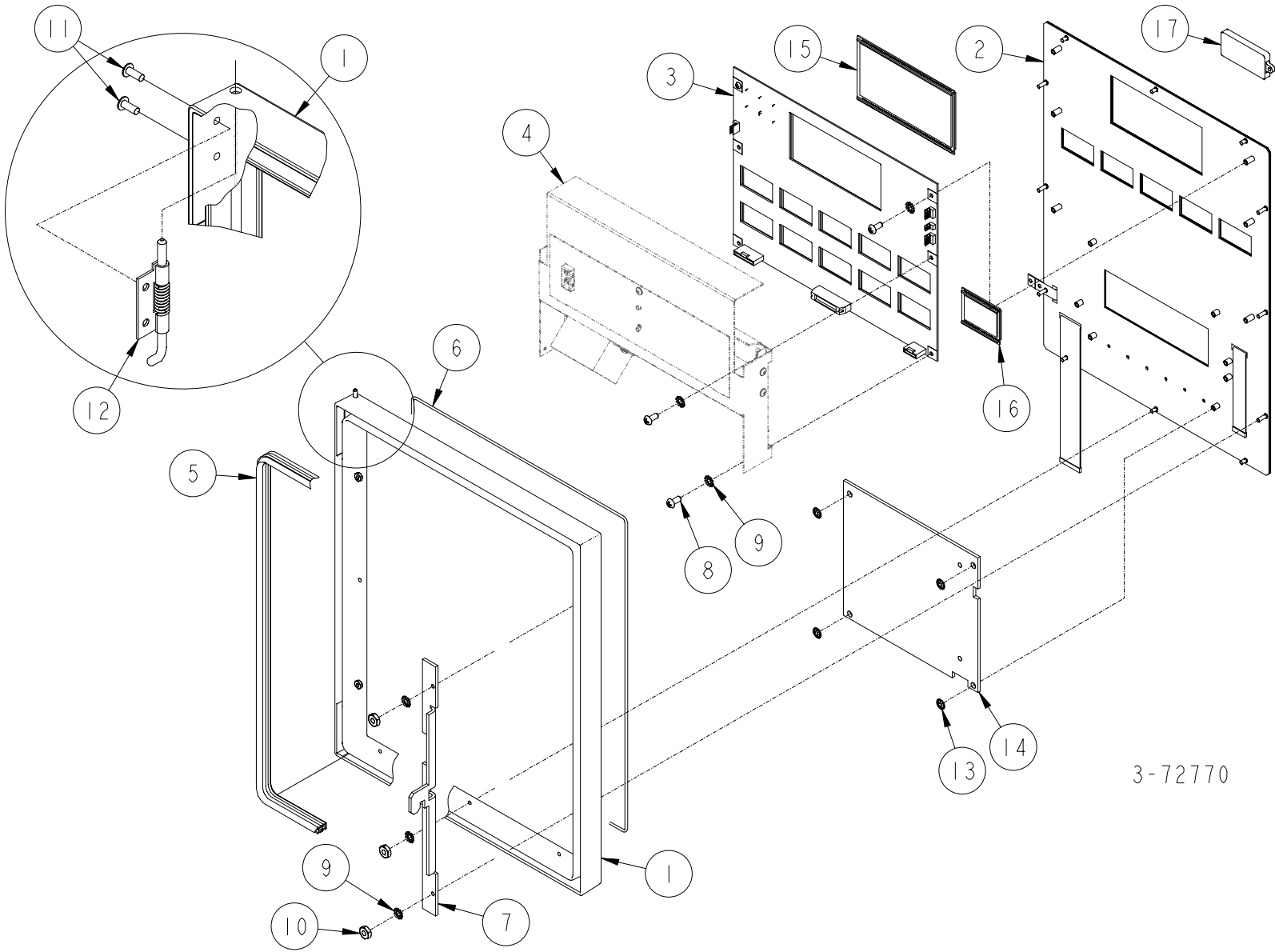
For complete Monry/Volume Backlight Assembly order:

422663-1	120 Volt 60hz
422663-2	240 Volt 50hz
422663-3	240 Volt 60hz

1-72769



MONEY/VOLUME DIAL ASSEMBLY

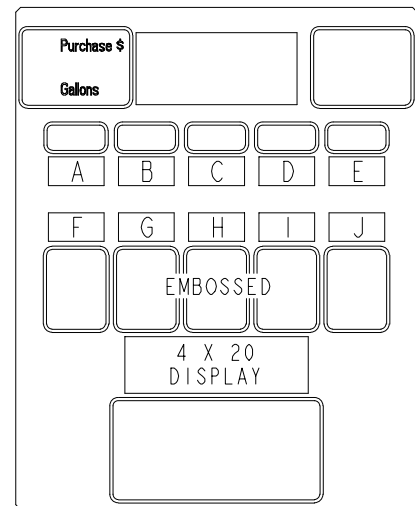


3-72770



MONEY/VOLUME PANEL ASSEMBLY  
(NO DPT & DPT)

PC. NO.	CUT-OUT LOCATION (X = CUT-OUT)										X = EMBOSED	4 X 20 DISPLAY
	A	B	C	D	E	F	G	H	I	J		
13-422723	X		X		X						X	X
14-422723	X		X		X	X		X		X	X	X
15-422723	X	X	X	X							X	X
16-422723	X	X	X	X		X	X	X	X		X	X
17-422723	X				X						X	X
18-422723	X				X	X				X	X	X
19-422723			X								X	X
20-422723			X					X			X	X
21-422723	X	X	X	X	X						X	X
22-422723	X	X	X	X	X	X	X	X	X	X	X	X
23-422723		X	X	X							X	X
24-422723		X	X	X			X	X	X		X	X
25-422723	X		X		X						X	
26-422723	X		X		X	X		X		X	X	
27-422723	X	X	X	X							X	
28-422723	X	X	X	X		X	X	X	X		X	
29-422723	X				X						X	
30-422723	X				X	X				X	X	
31-422723				X							X	
32-422723				X				X			X	
33-422723	X	X	X	X	X						X	
34-422723	X	X	X	X	X	X	X	X	X	X	X	
35-422723		X	X	X							X	
36-422723		X	X	X			X	X	X		X	
49-422723	X		X		X							X
50-422723	X		X		X	X		X		X		X
51-422723	X	X	X	X								X
52-422723	X	X	X	X		X	X	X	X			X
53-422723	X				X							X
54-422723	X				X	X				X		X

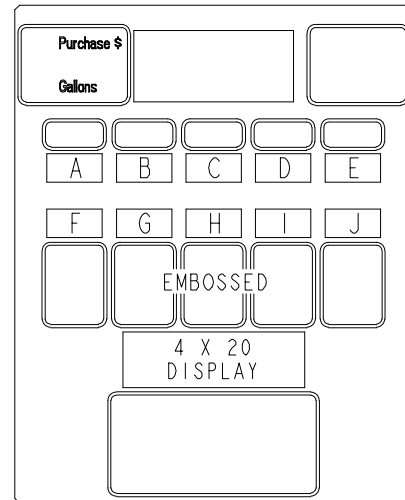


2-72782a

See Color Chart  
72823

MONEY/VOLUME PANEL ASSEMBLY  
(NO DPT & DPT)

PC. NO.	CUT-OUT LOCATION (X = CUT-OUT)										X = EMBOSSSED	4 X 20 DISPLAY	
	A	B	C	D	E	F	G	H	I	J			
55-422723			X										X
56-422723			X					X					X
57-422723	X	X	X	X	X								X
58-422723	X	X	X	X	X	X	X	X	X	X			X
59-422723		X	X	X									X
60-422723		X	X	X			X	X	X				X
61-422723	X		X		X								
62-422723	X		X		X	X		X		X			
63-422723	X	X	X	X									
64-422723	X	X	X	X		X	X	X	X				
65-422723	X				X								
66-422723	X				X	X				X			
67-422723				X									
68-422723				X				X					
69-422723	X	X	X	X	X								
70-422723	X	X	X	X	X	X	X	X	X	X			
71-422723		X	X	X									
72-422723		X	X	X			X	X	X				
73-422723	X		X		X							X	X
74-422723	X				X							X	X
75-422723			X									X	X
76-422723													



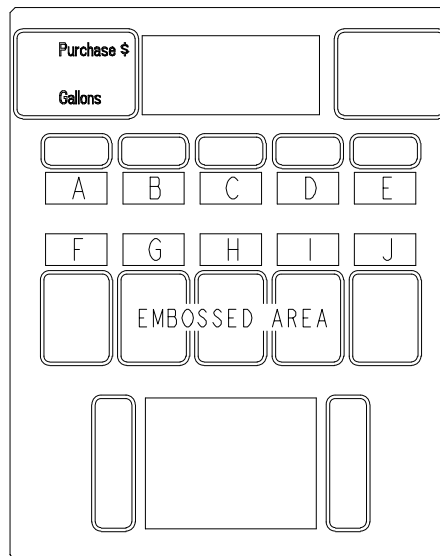
2-72782b

6  
A

See Color Chart  
72823

MONEY/VOLUME PANEL ASSEMBLY  
(INSIGHT)

PC. NO.	CUT-OUT LOCATION (X = CUT-OUT)										X = EMBOSSED	
	A	B	C	D	E	F	G	H	I	J		
1-422723	X		X		X							X
2-422723	X		X		X	X		X		X		X
3-422723	X	X	X	X								X
4-422723	X	X	X	X		X	X	X	X			X
5-422723	X				X							X
6-422723	X				X	X				X		X
7-422723			X									X
8-422723			X					X				X
9-422723	X	X	X	X	X							X
10-422723	X	X	X	X	X	X	X	X	X	X		X
11-422723		X	X	X								X
12-422723		X	X	X			X	X	X			X
37-422723	X		X		X							
38-422723	X		X		X	X		X		X		
39-422723	X	X	X	X								
40-422723	X	X	X	X		X	X	X	X			
41-422723	X				X							
42-422723	X				X	X				X		
43-422723				X								
44-422723				X				X				
45-422723	X	X	X	X	X							
46-422723	X	X	X	X	X	X	X	X	X	X		
47-422723		X	X	X								
48-422723		X	X	X			X	X	X			



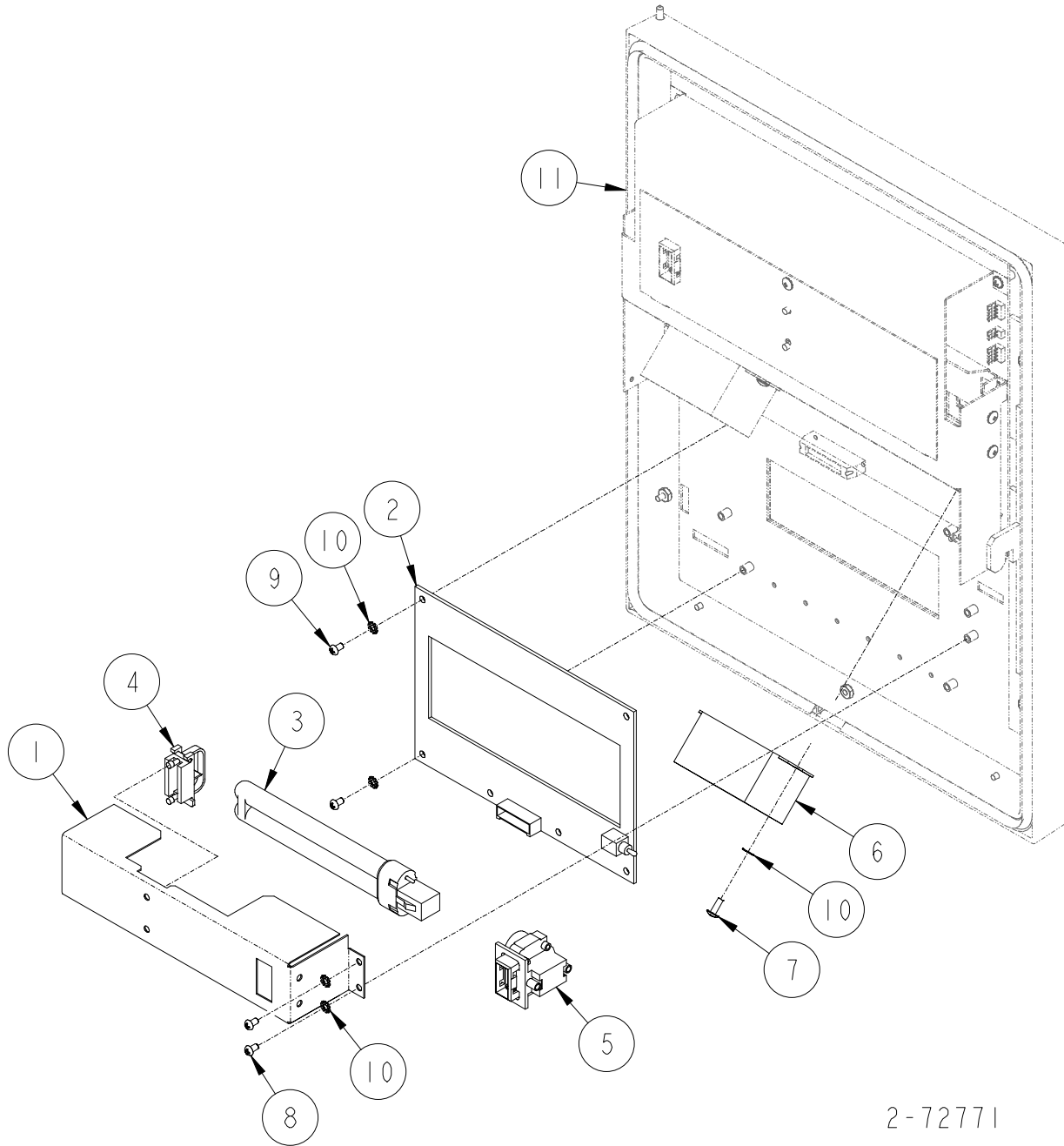
I - 72781

See Color Chart  
72823

This page reserved for future use.

6  
A

## DPT DIAL ASSEMBLY



2-72771

---

## DPT DIAL ASSEMBLY

---

ITEM NO.	PART NO.	DESCRIPTION
1	1-321178	Reflector
2	<u>DPT Display</u>	
	1-421076	Domestic without cable
	2-421076	Domestic with cable
	3-421076	Hebrew
3	2-232122	Light
4	1-232120	Lampholder Support
5	1-232121	Lampholder
6	<u>Ballast &amp; Harness Assembly</u>	
	422778-7	120 Volt 60hz
	422778-8	240 Volt 50hz
	422778-9	240 Volt 60hz
7	2-230689	#6 x 3/8" Long Phillips Truss Head Self Tapping Screw
8	88-50021	#6-32 x 1/4" Long Phillips Round Head Screw
9	90-50021	#6-32 x 5/16" Long Phillips Round Head Screw
10	03-50762	#6 Shakeproof Lockwasher
11	<u>For parts call out of Money/Volume Dial Assembly see 72770.</u>	

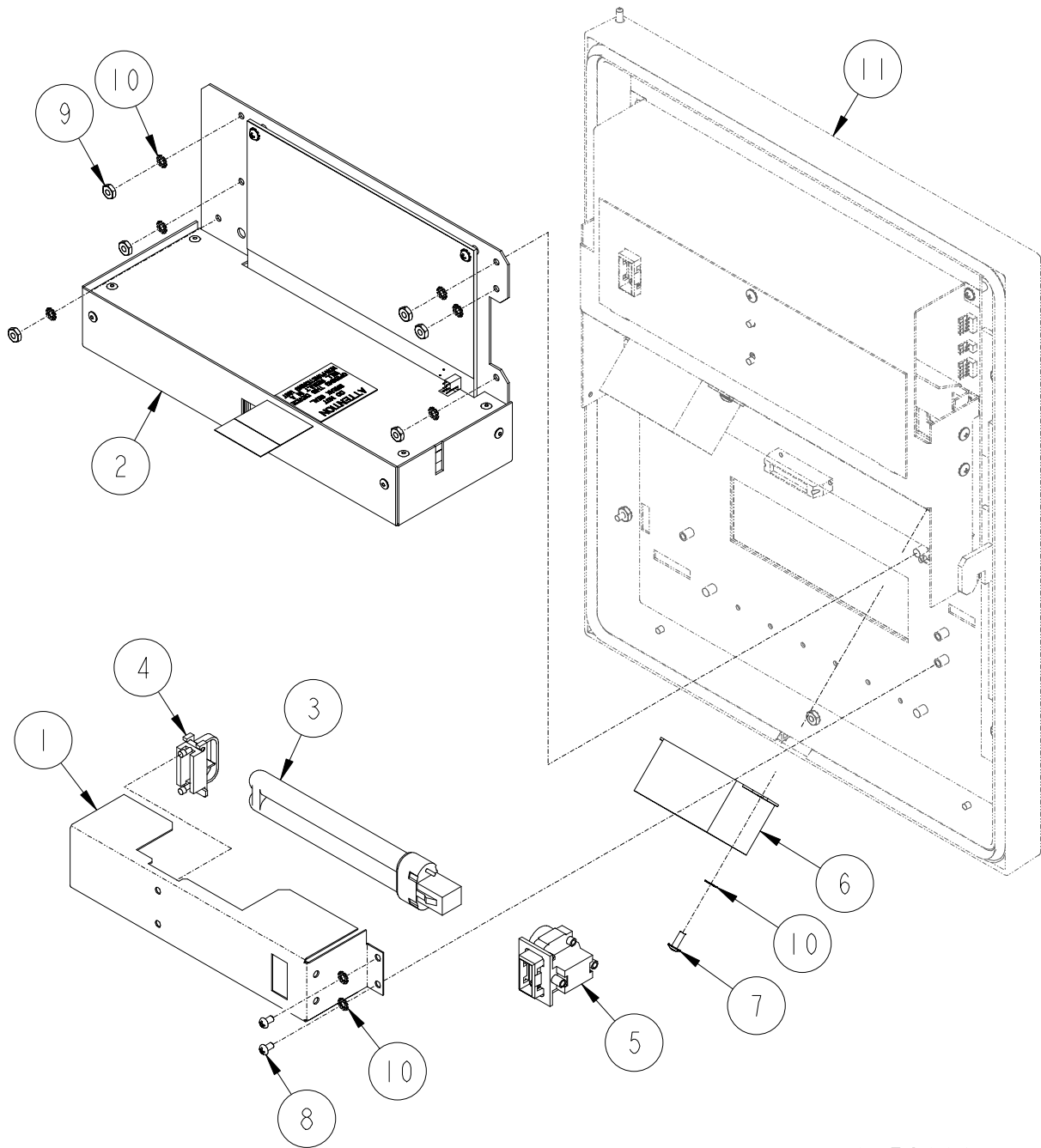
Reference for Tokheim internal use only

422668 Money/Volume Dial Assembly

2-72771

6  
A

## DPT TDS+ DIAL ASSEMBLY



1-72969

---

**DPT TDS+ DIAL ASSEMBLY**

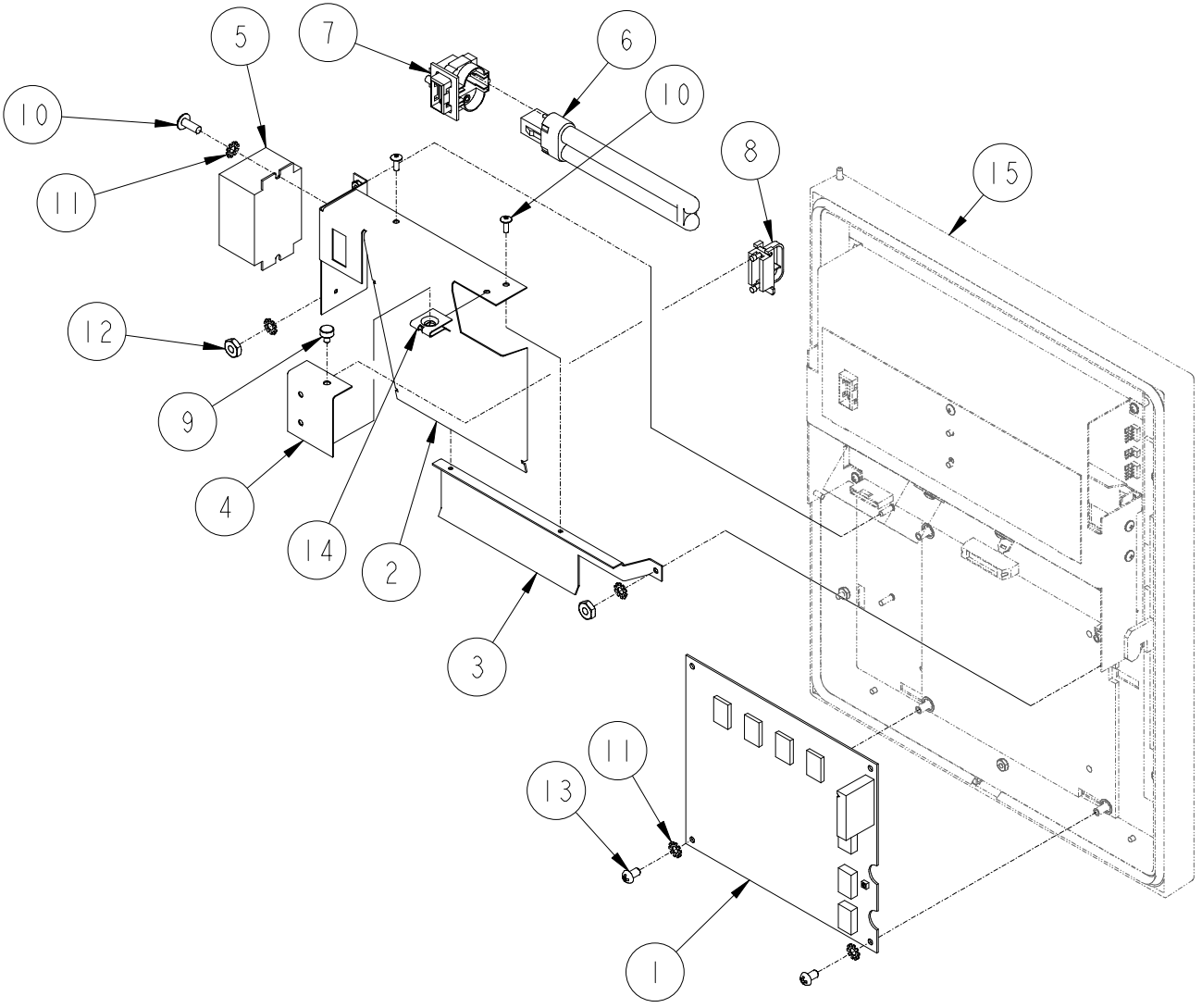

---

ITEM NO.	PART NO.	DESCRIPTION
1	1-321178	Reflector
2	423350-1	TDS+ Display Module
3	2-232122	Light
4	1-232120	Lampholder Support
5	1-232121	Lampholder
6	<u>Ballast &amp; Harness Assembly</u>	
	422778-7	120 Volt 60hz
	422778-8	240 Volt 50hz
	422778-9	240 Volt 60hz
7	2-230689	#6 x 3/8" Long Phillips Truss Head Self Tapping Screw
8	88-50021	#6-32 x 1/4" Long Phillips Round Head Screw
9	03-50212	#6-32 Hex Machine Nut
10	03-50762	#6 Shakeproof Lockwasher
11	<u>For parts call out of Money/Volume Dial Assembly see 72770.</u>	
<u>Reference for Tokheim internal use only</u>		
	422668	Money/Volume Dial Assembly

1-72969


 6  
A

# INSIGHT DIAL ASSEMBLY



1-72772

## INSIGHT DIAL ASSEMBLY

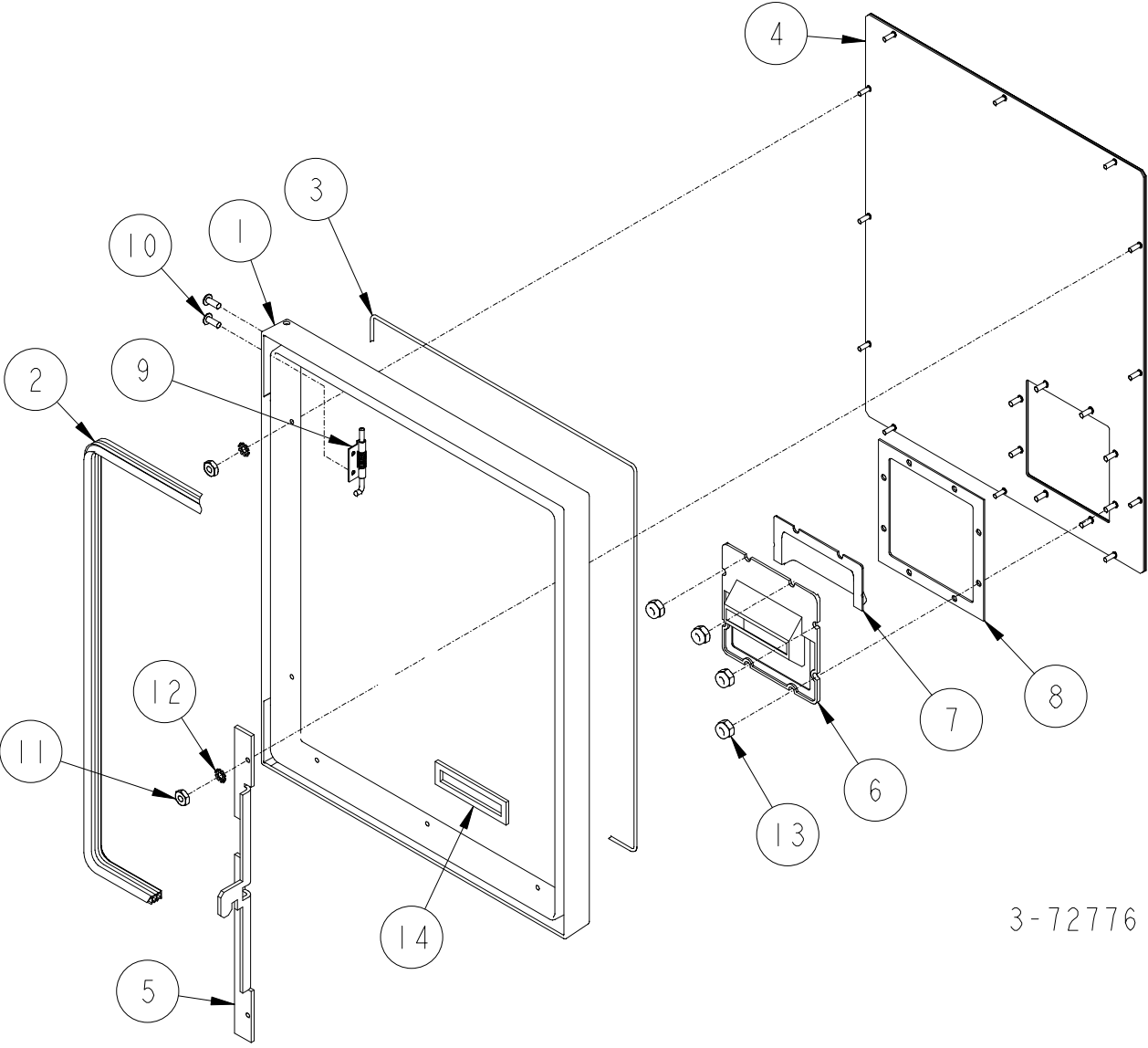
ITEM NO.	PART NO.	DESCRIPTION
1	1-422448	Graphic DPT Display
2	1-422661	Backlight Lampholder/Reflector
3	1-321107	Backlight Support Bracket
4	1-132849	Backlight Access Bracket
5	<u>Ballast &amp; Harness Assembly</u>	
	422778-7	120 Volt 60hz
	422778-8	240 Volt 50hz
	422778-9	240 Volt 60hz
6	2-232122	Light
7	1-232121	Lampholder
8	1-232120	Lampholder Support
9	1-131110	Thumb Screw
10	2-230689	#6 x 3/8" Long Phillips Truss Head Self Tapping Screw
11	03-50762	#6 Shakeproof Lockwasher
12	03-50212	#6-32 Hex Machine Nut
13	88-50021	#6-32 x 1/4" Long Phillips Round Head Screw
14	4-130449	U-Nut
15	<u>For parts call out of Money/Volume Dial Assembly see 72770.</u>	

Reference for Tokheim internal use only

422668 Monry/Volume Dial Assembly



# CASH ACCEPTOR DIAL ASSEMBLY



3-72776

**CASH ACCEPTOR DIAL ASSEMBLY**

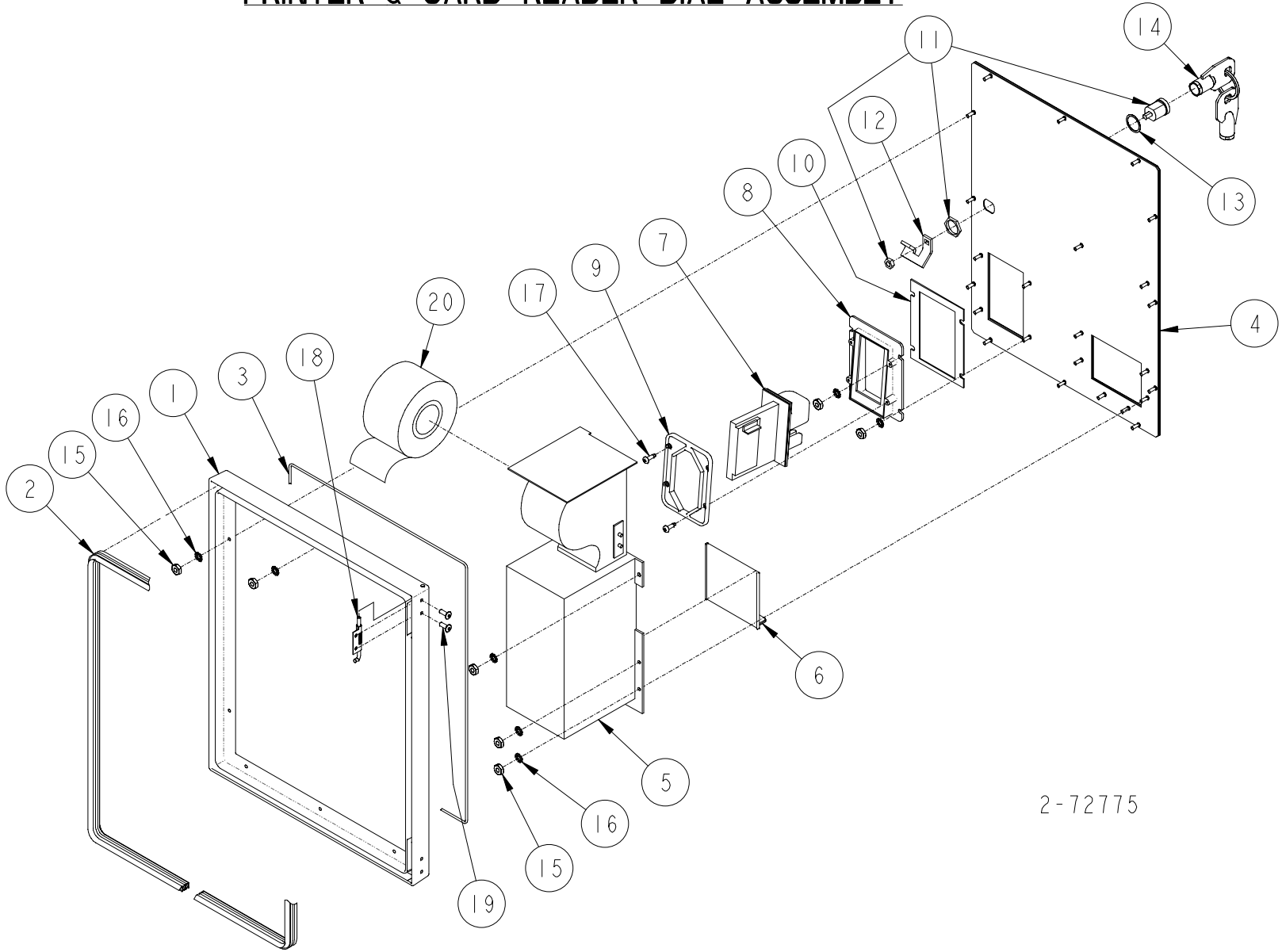
ITEM NO.	PART NO.	DESCRIPTION
1	1-233862	Door Frame
2	1-233681	Dial Seal
3	1-233680	Dial Plate Seal
4	3-422755	Door Panel
5	1-321099	Dial Latch
6	1-421110	Cash Acceptor Bezel
7	1-319449	Cash Acceptor Shield
8	1-233730	Cash Acceptor Cushion
9	4180002	Door Hinge Assembly
10	1-128281	Pop Rivet
11	03-50211	#6-32 Hex Machine Nut
12	03-50762	#6 Shakeproof Lockwasher
13	04-55531	#8-32 Nylon Insert Lock Nut
14	1-233573	Cash Acceptor Cushion

For complete Access Dial Assembly order: 321115-3

3-72776



# PRINTER & CARD READER DIAL ASSEMBLY



2-72775

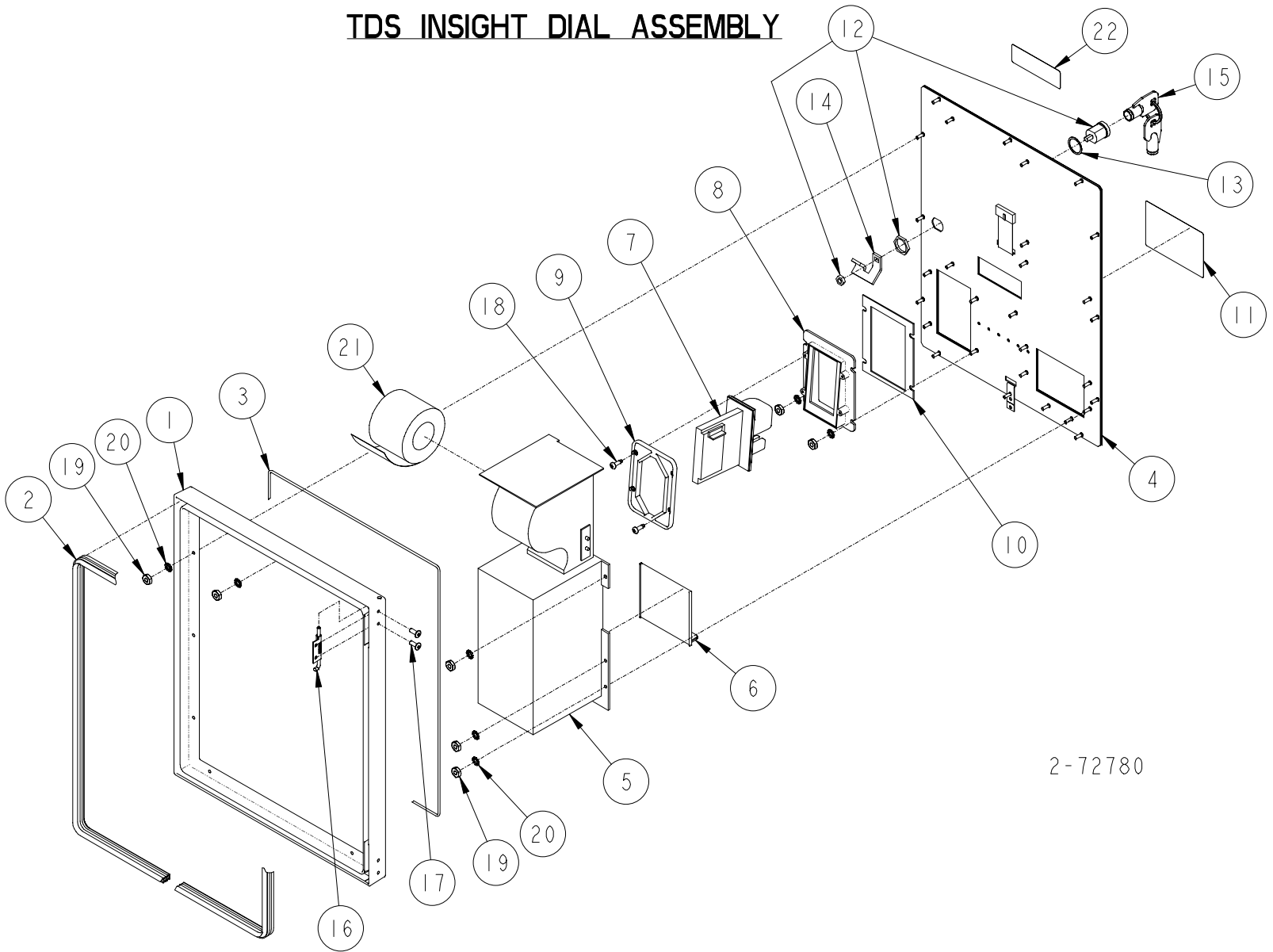
**PRINTER & CARD READER DIAL ASSEMBLY**

ITEM NO.	PART NO.	DESCRIPTION
1	1-233862	Door Frame
2	1-233681	Dial Seal
3	1-233680	Dial Plate Seal
4	2-422755	Door Panel
5	1-321147	Seiko Printer
6	51-01448-00	Receipt Door
7	1-321119	Cardreader
8	1-321150	Card Reader Bezel
9	1-233683	Card Reader Clamp
10	1-233687	Cushion
11	1-231841	Waterproof Lock
12	1-233673	Lock Cam
13	2-127656	Lock Gasket
14	2-231841	Tubular Key (TPX 88)
15	03-50211	#6-32 Hex Machine Nut
16	03-50762	#6 Shakeproof Lockwasher
17	1-232848	Phillips Pan Head Self Tapping Screw
18	4180003	Door Hinge Assembly
19	1-128281	Pop Rivet
20	1-233712	Paper Roll

For complete Access Dial Assembly order: 321115-2



### TDS INSIGHT DIAL ASSEMBLY



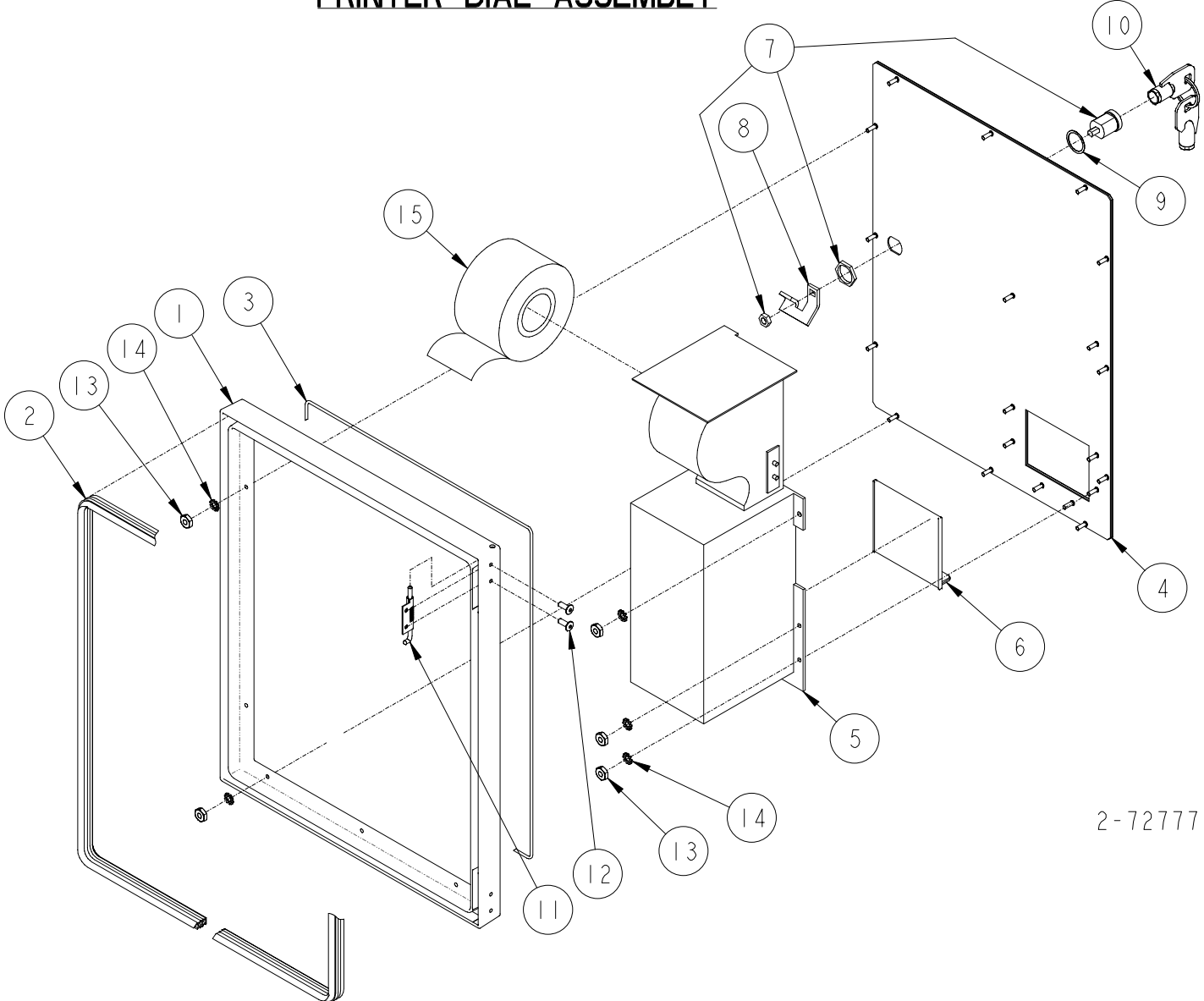
2-72780

## TDS INSIGHT DIAL ASSEMBLY

ITEM NO.	PART NO.	DESCRIPTION	ITEM NO.	PART NO.	DESCRIPTION
1	1-233862	Door Frame	13	2-127656	Lock Gasket
2	1-233681	Dial Seal	14	1-233673	Lock Cam
3	1-233680	Dial Plate Seal	15	2-231841	Tubular Key (TPX 88)
4	<u>Door Panel</u>		16	4180003	Door Hinge Assembly
	5-422755	TDS Insight	17	1-128281	Pop Rivet
	6-422755	Insight	18	1-232848	Phillips Pan Head Self Tapping Screw
	321224-2	Debit (Mobil)	19	03-50211	#6-32 Hex Machine Nut
5	<u>Seiko Printer</u>		20	03-50762	#6 Shakeproof Lockwasher
	3-321147	Hebrew	21	7-230492	Paper Roll
	5-321147	All models except Hebrew	22	2-232704	Decalcomania
6	51-01448-00	Receipt Door	<u>For complete Access Dial Assembly order:</u>		
7	1-321119	Cardreader	321115-5	TDS Plus Insight (Left Side)	
8	1-321150	Card Reader Bezel	321115-6	TDS Insight (Left Side)	
9	1-233683	Card Reader Clamp	321115-8	Card Reader/Printer Insight (Left Side)	
10	1-233687	Cushion	321115-11	Standard DPT With or Without TDS TDS Plus (Left Side)	
11	<u>Debit Keypad Overlay (Customer Specific)</u>		2-72780		
	1-233689	TDS Insight (Left Side)			
	1-233690	TDS Plus Insight (Left Side)			
12	1-231841	Waterproof Lock			



# PRINTER DIAL ASSEMBLY



2-72777

## PRINTER DIAL ASSEMBLY

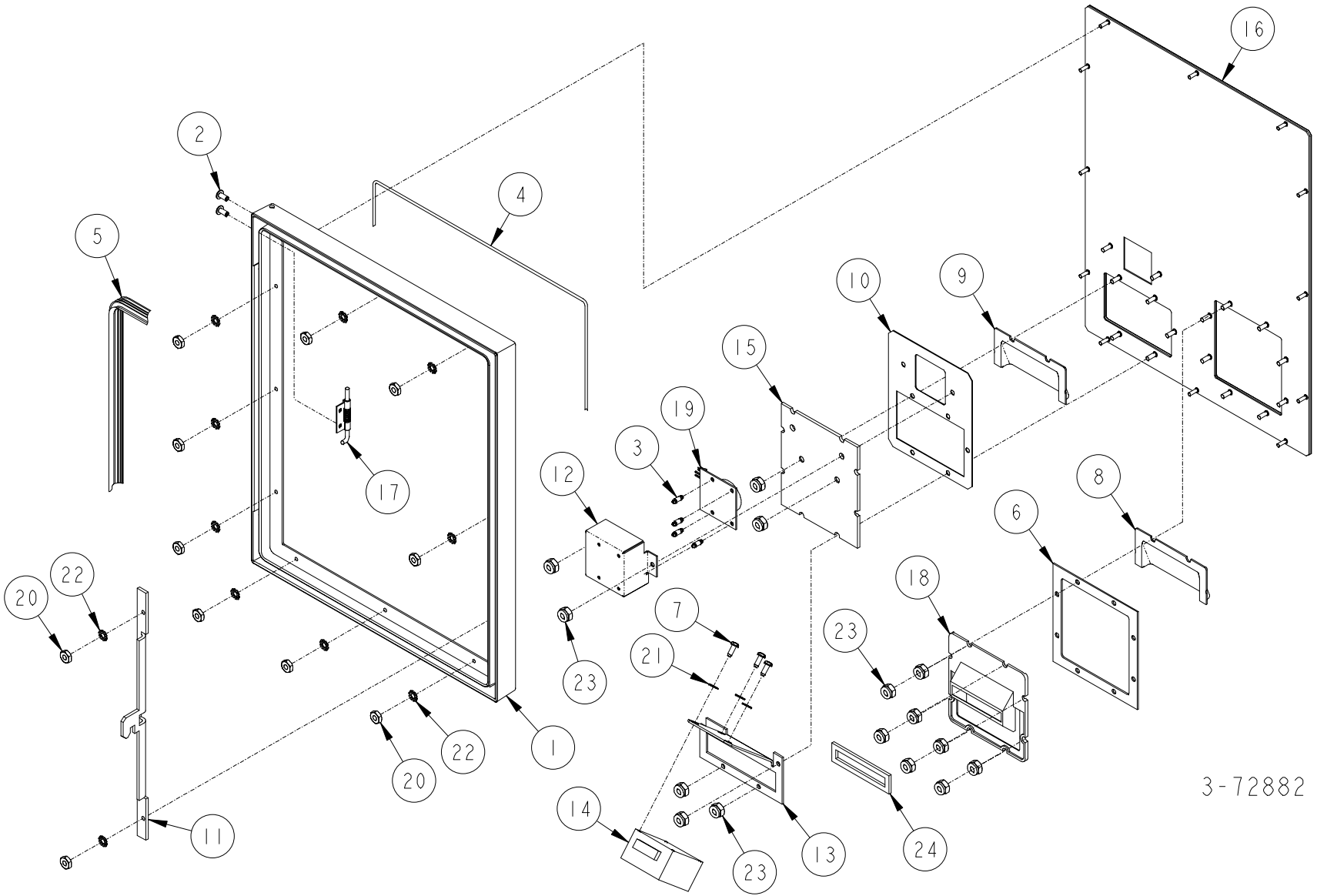
ITEM NO.	PART NO.	DESCRIPTION
1	1-233862	Door Frame
2	1-233681	Dial Seal
3	1-233680	Dial Plate Seal
4	7-422755	Door Panel
5	1-321147	Seiko Printer
6	51-01448-00	Receipt Door
7	1-231841	Waterproof Lock
8	1-233673	Lock Cam
9	2-127656	Lock Gasket
10	2-231841	Tubular Key (TPX 88)
11	4180003	Door Hinge Assembly
12	1-128281	Pop Rivet
13	03-50211	#6-32 Hex Machine Nut
14	03-50762	#6 Shakeproof Lockwasher
15	1-233712	Paper Roll

For complete Printer Dial Assembly order 321115-7

2-72777



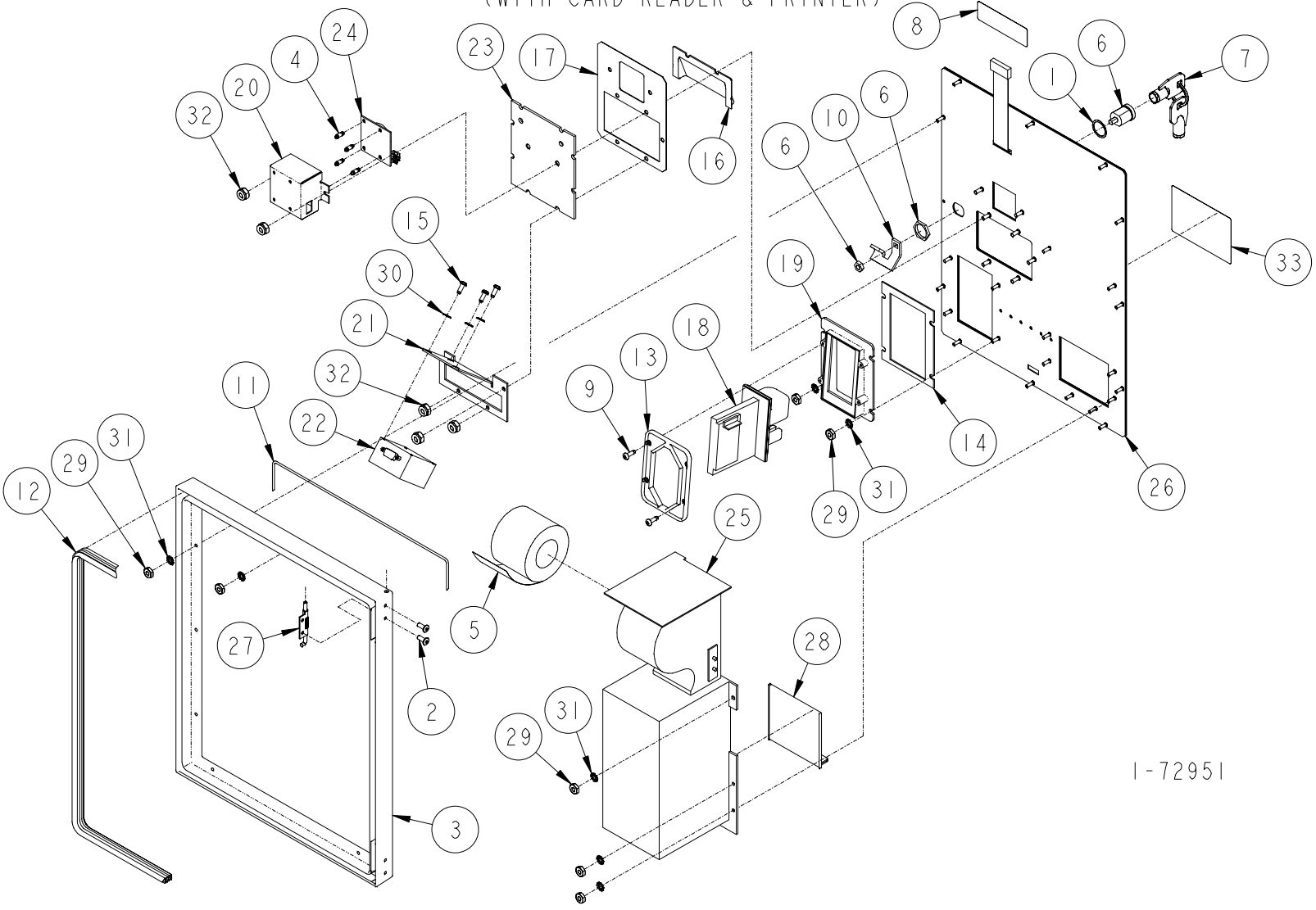
# 45" BAR CODE SCANNER DIAL ASSEMBLY



3-72882



### 30" BAR CODE SCANNER DIAL ASSEMBLY (WITH CARD READER & PRINTER)



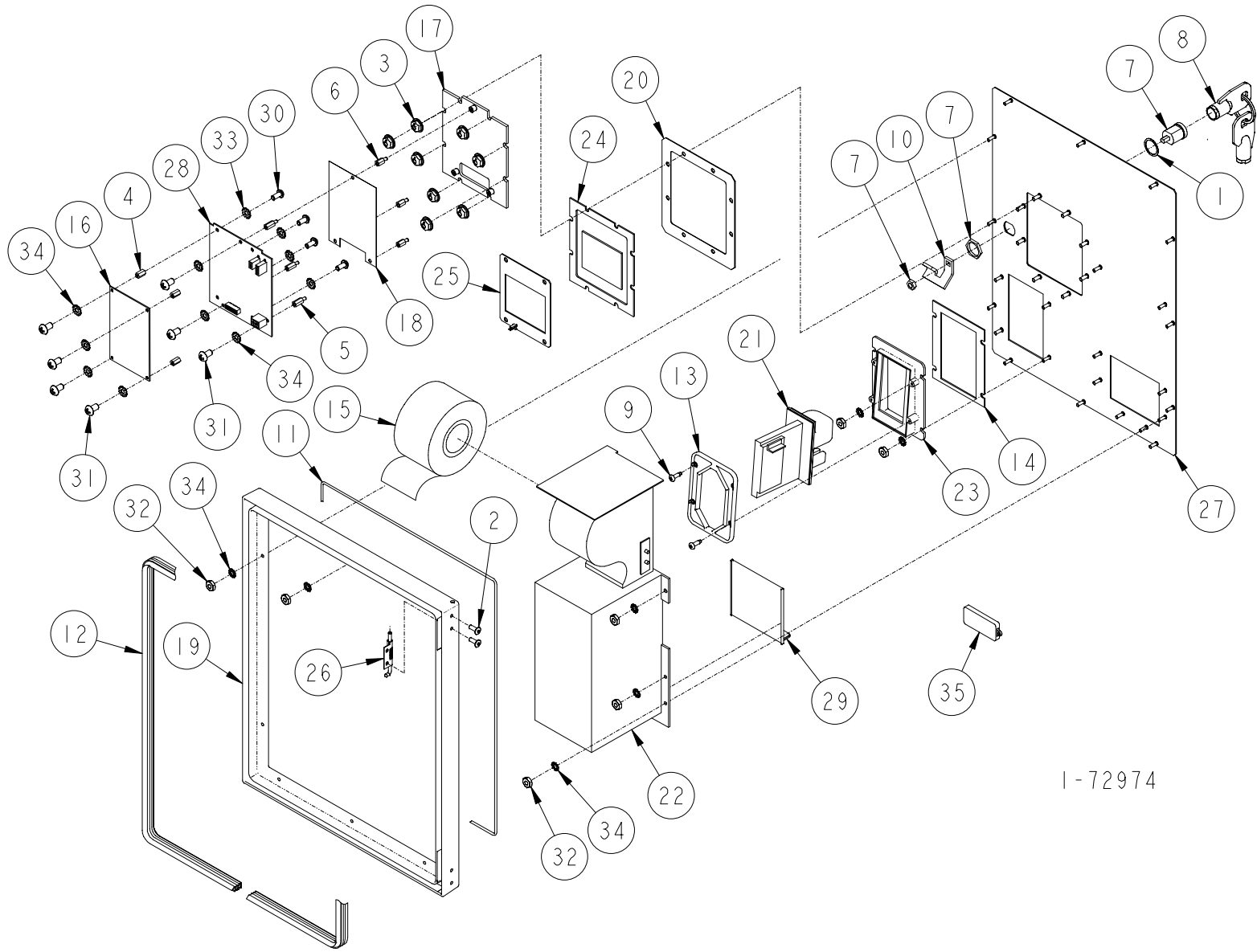
1-72951

## 30" BAR CODE SCANNER DIAL ASSEMBLY (WITH CARD READER & PRINTER)

ITEM NO.	PART NO.	DESCRIPTION	ITEM NO.	PART NO.	DESCRIPTION
1	2-127656	Lock Gasket	25	<u>Seiko Printer</u>	
2	1-128281	Pop Rivet		1-321147	Standard DPT
3	1-233862	Door Frame		5-321147	INSIGHT
4	6-225470	Standoff	26	<u>Door Panel</u>	
5	6-230492	Paper Roll		10-422755	Standard DPT
6	1-231841	Waterproof Lock		11-422755	INSIGHT
7	2-231841	Tubular Key (TPX 88)	27	4180003	Door Hinge Assembly
8	2-232704	Decalomania	28	51-01448-00	Receipt Door
9	1-232848	Phillips Pan Head Self Tapping Screw	29	03-50211	#6-32 Hex Machine Nut
10	1-233673	Lock Cam	30	01-50761	#4 Shakeproof Lockwasher
11	1-233680	Dial Plate Seal	31	03-50762	#6 Shakeproof Lockwasher
12	1-233681	Dial Seal	32	04-55531	#8-32 Nylon Insert Lock Nut
13	1-233683	Card Reader Clamp	33	<u>Debit Keypad Overlay (Customer Specific)</u>	
14	1-233687	Cushion		1-233689	TDS Insight (Left Side)
15	1-233760	Metric Screw		1-233690	TDS Plus Insight (Left Side)
16	2-319449	Cash Acceptor Shield "Black"		<u>For complete Access Dial Assembly order:</u>	
17	4-320484	Cushion		321115-12	Standard DPT with Card Reader & Printer
18	1-321119	Cardreader		321115-13	INSIGHT with Card Reader & Printer
19	1-321150	Card Reader Bezel			
20	1-321355	LED Box			
21	1-321357	Scanner Bracket			
22	1-321359	LS 1220 Scan Module			
23	1-321361	Display Window			
24	422911-1	LED Board Assembly			

1-72951

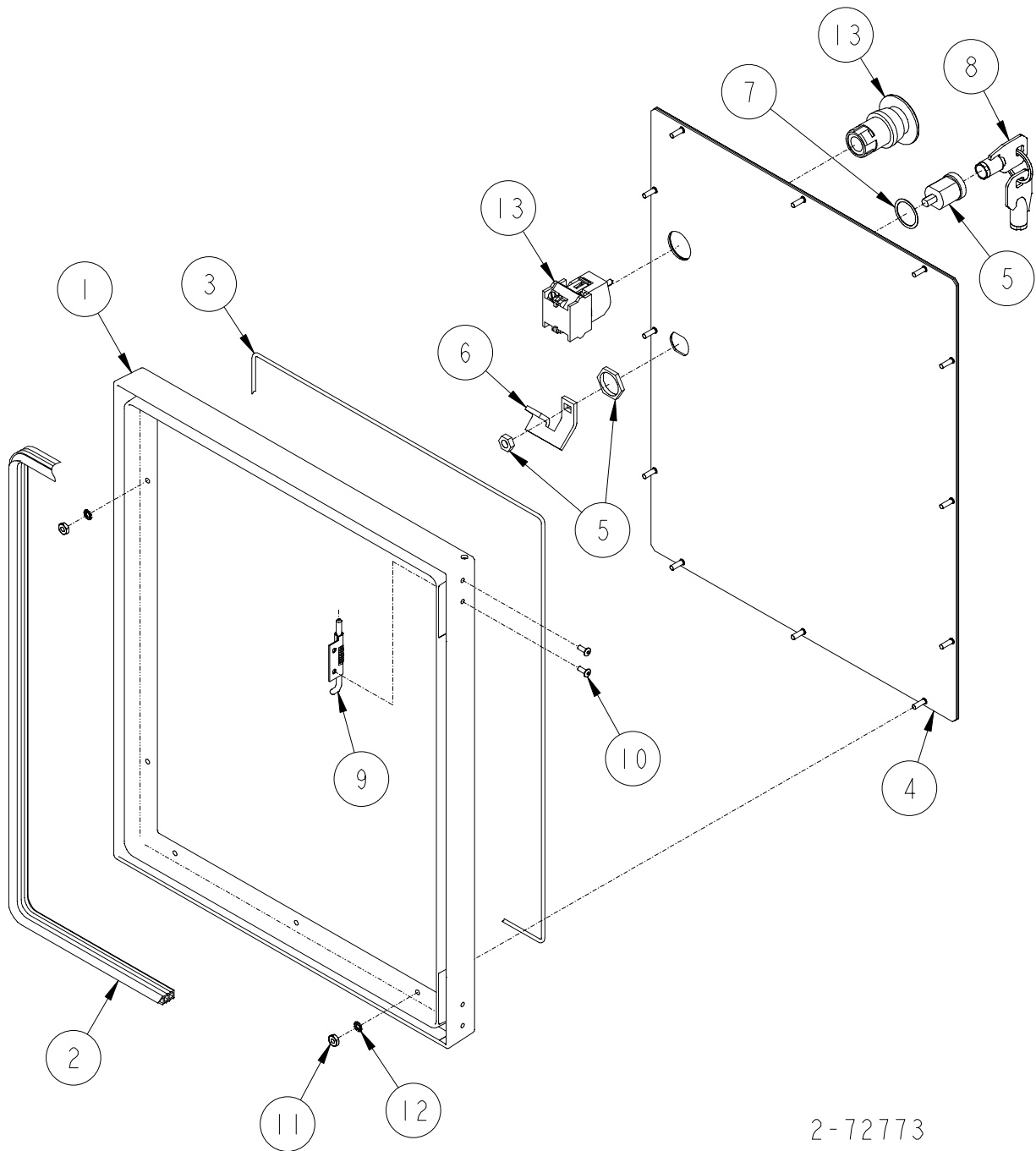
# TI-RFID DIAL ASSEMBLY



1-72974



ACCESS DIAL ASSEMBLY  
(LEFT SIDE)  
WITH OR WITHOUT PUMP STOP



2-72773

---

**ACCESS DIAL ASSEMBLY**  
**(Left Side)**  
**WITH OR WITHOUT PUMP STOP**

---

ITEM NO.	PART NO.	DESCRIPTION
1	1-233862	Door Frame
2	1-233681	Dial Seal
3	1-233680	Dial Plate Seal
4	<u>Door Panel</u>	
	1-422755	No Emergency Stop Switch Hole
	15-422755	With Emergency Stop Switch Hole
5	1-231841	Waterproof Lock
6	1-233673	Lock Cam
7	2-127656	Lock Gasket
8	2-231841	Tubular Key (TPX 88)
9	4180003	Door Hinge Assembly
10	1-128281	Pop Rivet
11	03-50211	#6-32 Hex Machine Nut
12	03-50762	#6 Shakeproof Lockwasher
13	3-229609	Emergency Stop Switch

For complete Access Door Assembly order:

321115-1 Without Pump Stop

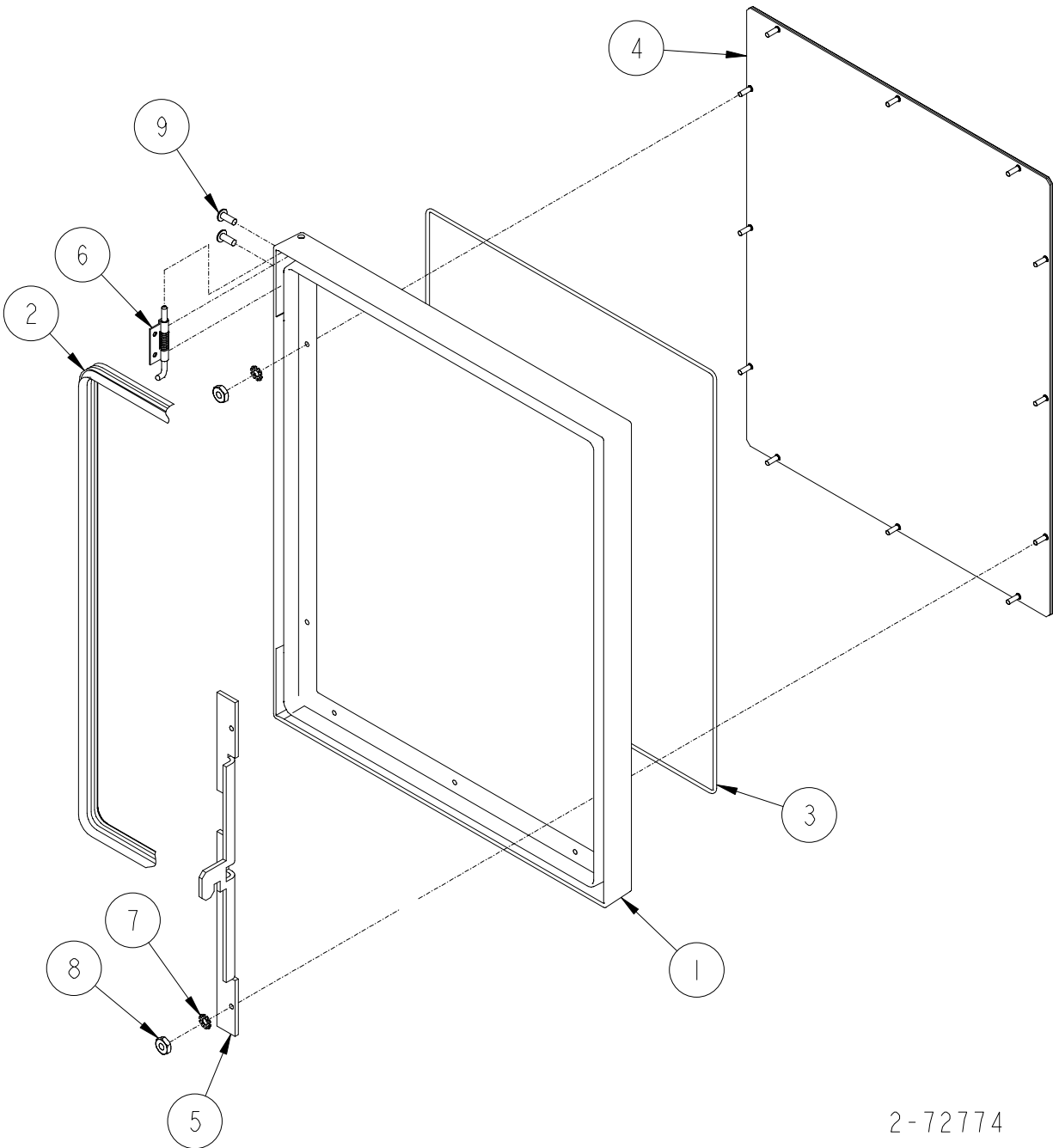
321115-23 With Pump Stop

2-72773

6  
A

# DIAL BLANK ASSEMBLY

(CENTER & RIGHT SIDE)



2-72774

---

**DIAL BLANK ASSEMBLY**  
**(Center & Right Side)**

---

ITEM NO.	PART NO.	DESCRIPTION
1	1-233862	Door Frame
2	1-233681	Dial Seal
3	1-233680	Dial Plate Seal
4	4-422755	Door Panel
5	1-321099	Dial Latch
6	4180002	Door Hinge Assembly
7	03-50762	#6 Shakeproof Lockwasher
8	03-50211	#6-32 Hex Machine Nut
9	1-128281	Pop Rivet

Reference for Tokheim internal use only:

321115-4      Access Door Assembly

1-72774

6  
A

---

---

## MONEY/VOLUME PANEL COLOR CHART

---

Color	p#	6th Digit Color Code	Customer
Black	P2133	0	
White	P2213	1	
Blue	P2312	2	Exxon
Silver	P2144	3	Amoco
BP Gray	P2086	4	BP
Red	P0603	5	Merit

Reference for Tokheim internal use only

422723      Monry/Volume Panel Assembly

1-72823