

Section Nine

Premier Parts Manual • H Models

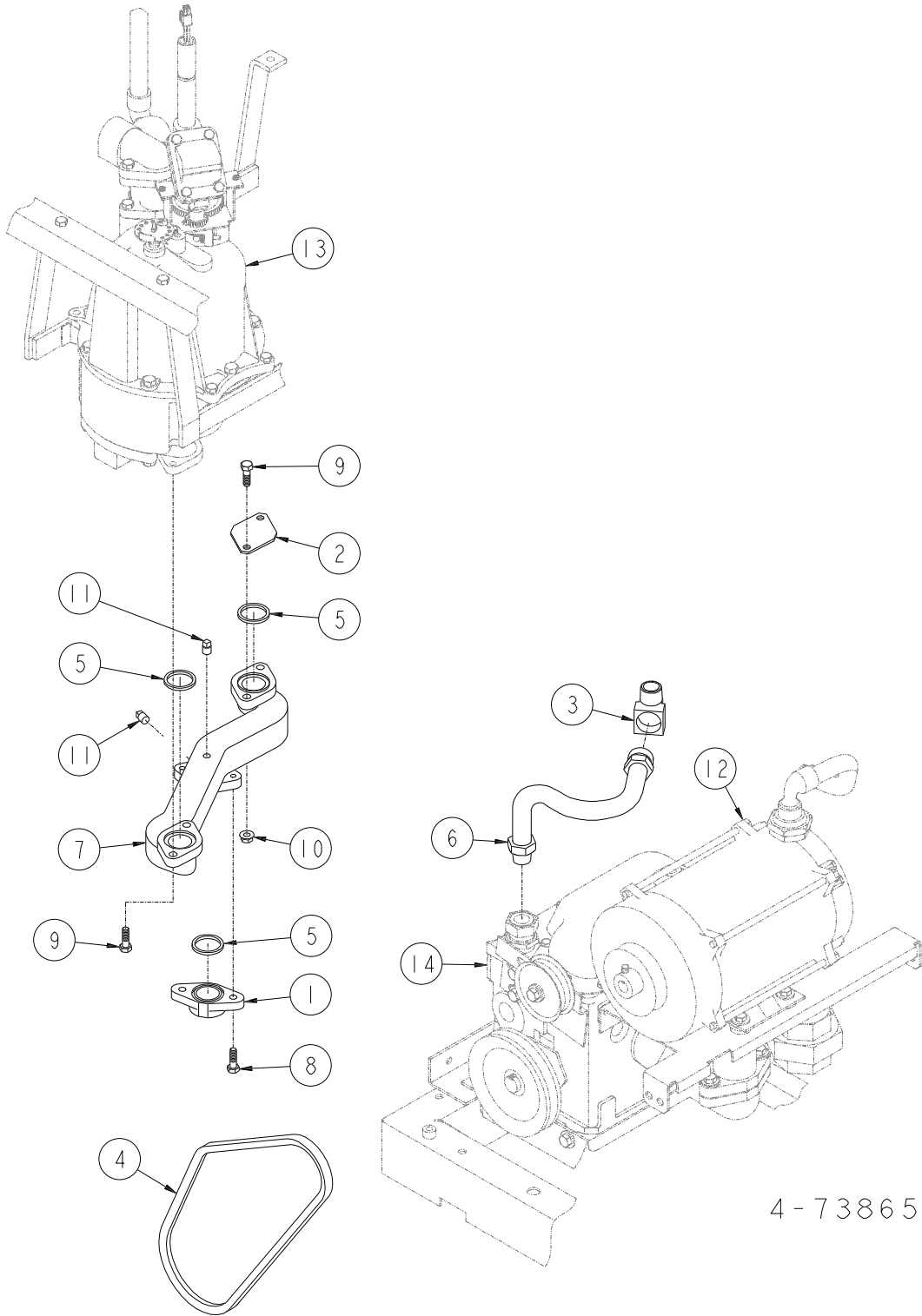
Suction System

Page Number

Suction System

H311B, H312B, H411B & H413B (1st Design)	9-2, 9-3
H311B, H312B, H411B & H413B (2nd Design)	9-4, 9-5
H322B, H324B, H422B & H426B (1st Design)	9-6, 9-7
H322B, H324B, H422B, H426B, H722B & H724B (2nd Design)	9-8, 9-9
H322B-RB3/RB5	9-10, 9-11
H311B-RB3/RB5	9-12, 9-13
H424B-RB3	9-14, 9-15
H724B-SB3+1	9-16, 9-17
Motor Assembly	9-18, 9-19
<u>Vent Tube Assembly</u>	
H311B, H312B, H322B, H324B, H722B & H724B	9-20, 9-21
H413B & H426B	9-22, 9-23
Rotary Pump Assembly	9-24, 9-25
Rotary Pump & Air Separator	9-26, 9-27
Rotary Pump Mounting Assembly	9-28, 9-29
Motor Assembly (Brazil)	9-30, 9-31

SUCTION SYSTEM
 (H311B, H312B, H411B & H413B)
 (1st Design See Serial Break List 71144)



4-73865

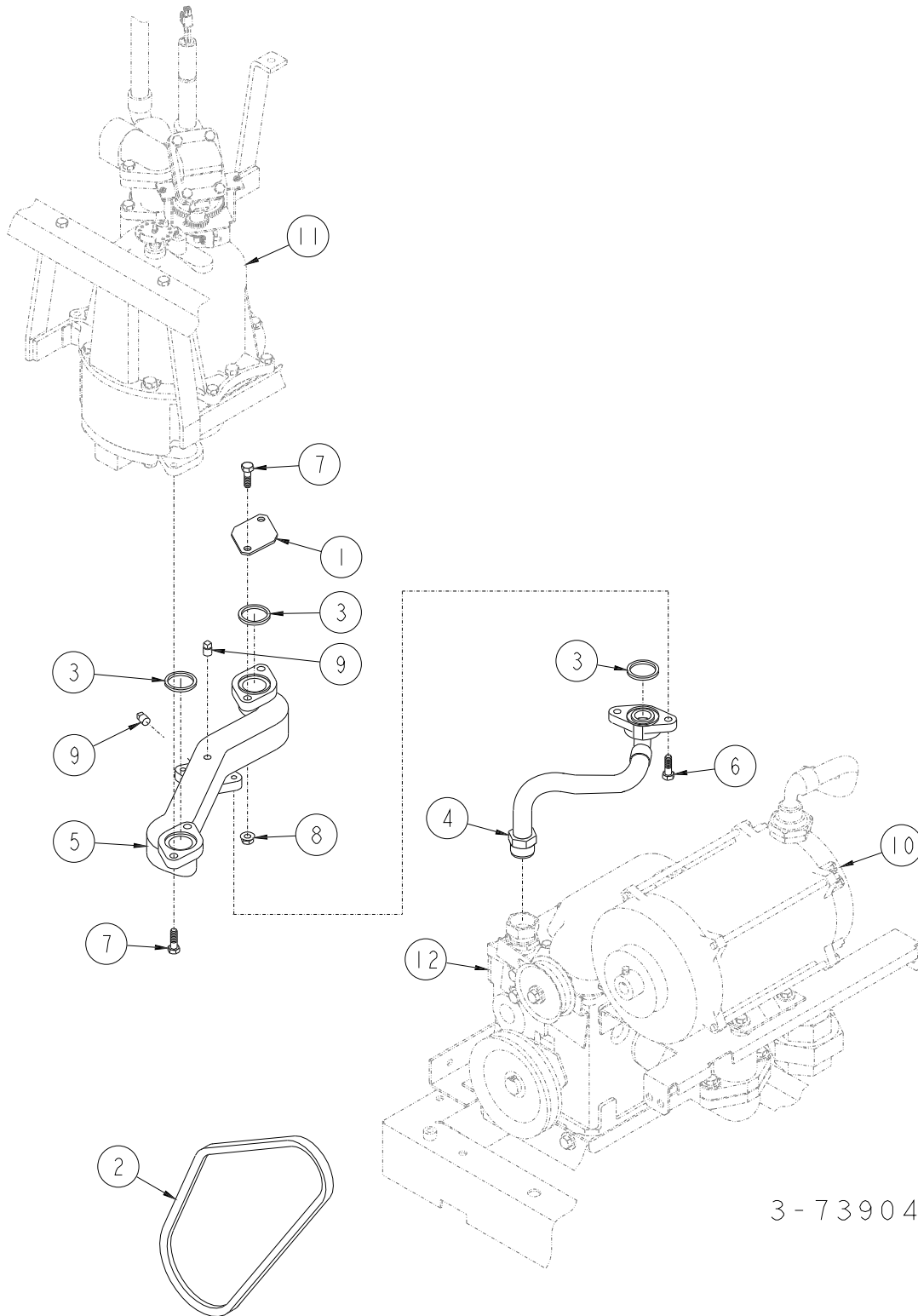
SUCTION SYSTEM
H311B, H312B, H411B & H413B
(1st Design - see Serial Break List 71144)

ITEM NO.	PART NO.	DESCRIPTION	ITEM NO.	PART NO.	DESCRIPTION
1	4-220923	Meter Flange	13		<u>For parts call out of Meter & Hydraulics Assembly see 73822.</u>
2	1-228345	Manifold Cap	14		<u>For parts call out of Rotary Pump Assembly see 72622.</u>
3	1-230993	90° Inverted Flare Elbow			
4	<u>"V" Belt</u>				<u>Reference for Tokheim internal use only:</u>
	3-37852	35" Long (120/240 Volt)	319392		Meter & Hydraulic Assembly
	36-37852	36" Long (380 Volt)	319394		45" Chassis Assembly
5	13-313235	Gasket	319619		30" Chassis Assembly
6	<u>Discharge Tube Assembly</u>		319397		45" Final Assembly
	319597-1	45" Right Side	319651		30" Final Assembly
	319598-1	30" Right Side & 45" Center			
	319600-1	30" Left Side & 45" Left Side			
7	<u>Manifold</u>				
	1-418051				
	6-418051	Automatic Temperature Control			
8	35-50361	5/16-18 x 1" Long Hex Head Cap Screw			
9	38-50361	5/16-18 x 1-3/4" Long Hex Head Cap Screw			
10	02-54752	5/16-18 M-F Flanged Whiz-Lock Nut			
11	01-51911	1/8-27 Pipe Plug (Automatic Temperature Control Only)			
12	<u>For parts call out of Motor Assembly see:</u>				
	72221	All except Brazil			
	72294	Brazil			

4-73865

SUCTION SYSTEM

(H311B, H312B, H411B & H413B)
 (2nd Design See Serial Break List 71144)



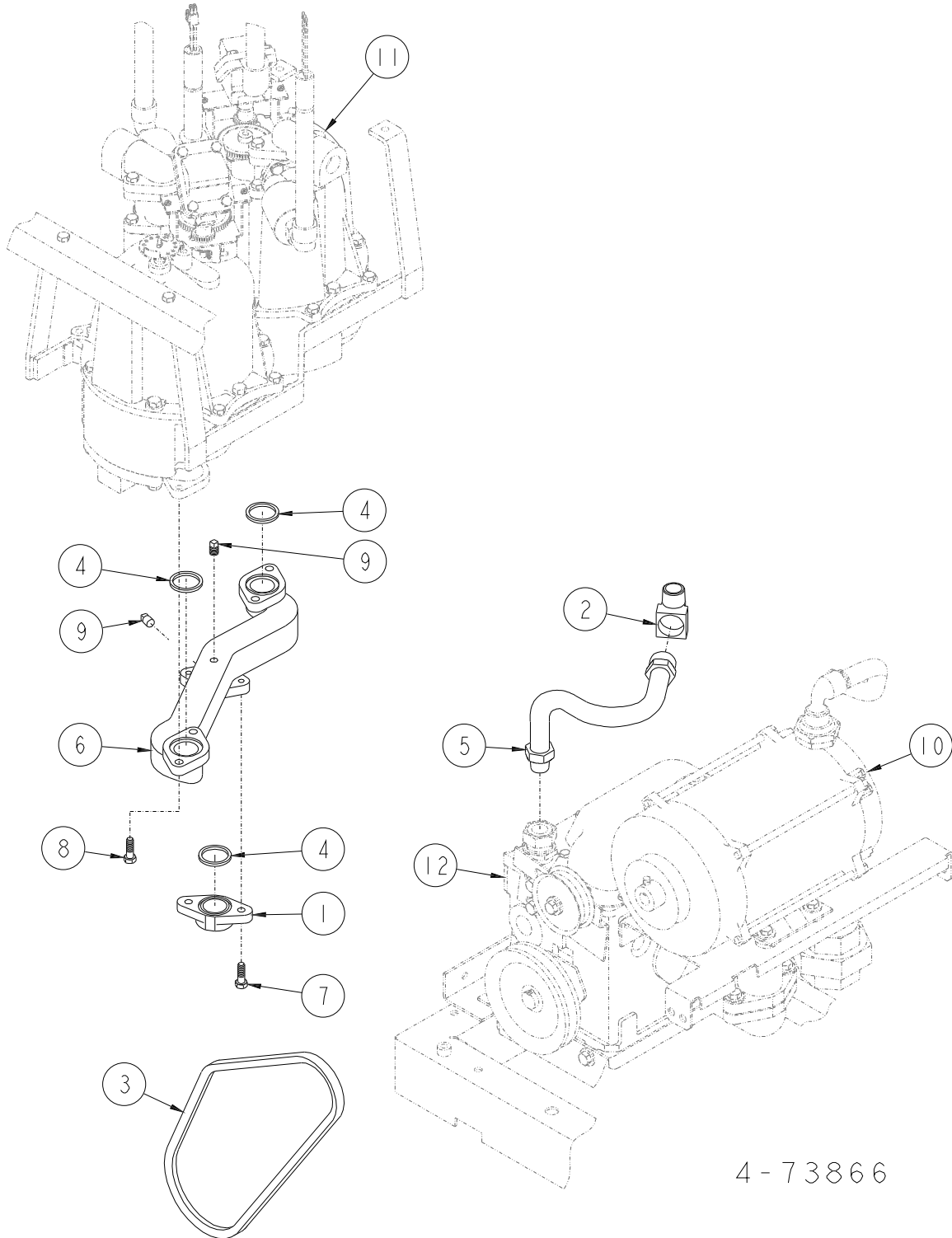
3-73904

SUCTION SYSTEM
H311B, H312B, H411B & H413B
(2nd Design - see Serial Break List 71144)

ITEM NO.	PART NO.	DESCRIPTION	ITEM NO.	PART NO.	DESCRIPTION
1	1-228345	Manifold Cap	11		<u>For parts call out of Meter & Hydraulics Assembly see 73822.</u>
2	"V" Belt		12		<u>For parts call out of Rotary Pump Assembly see 72622.</u>
	3-37852	35" Long (120/240 Volt)			
	36-37852	36" Long (380 Volt & Brazil)			
3	13-313235	Gasket			<u>Reference for Tokheim internal use only:</u>
4	<u>Discharge Tube Assembly</u>		319740		Meter & Hydraulic Assembly
	319666-1	30" Left Side & 45" Left Side	319741		45" Chassis Assembly
	319667-1	30" Right Side & 45" Center	319810		30" Chassis Assembly
	319668-1	45" Right Side	319744		45" Final Assembly
5	<u>Manifold</u>		319820		30" Final Assembly
	1-418051				
	6-418051	Automatic Temperature Control			
6	35-50361	5/16-18 x 1" Long Hex Head Cap Screw			
7	38-50361	5/16-18 x 1-3/4" Long Hex Head Cap Screw			
8	02-54752	5/16-18 M-F Flanged Whiz-Lock Nut			
9	01-51911	1/8-27 Pipe Plug (Automatic Temperature Control Only)			
10	<u>For parts call out of Motor Assembly see:</u>				
	72221	All except Brazil			
	72294	Brazil			

3-73904

SUCTION SYSTEM
 (H322B, H324B, H422B & H426B)
 (1st Design See Serial Break List 71144)



4-73866

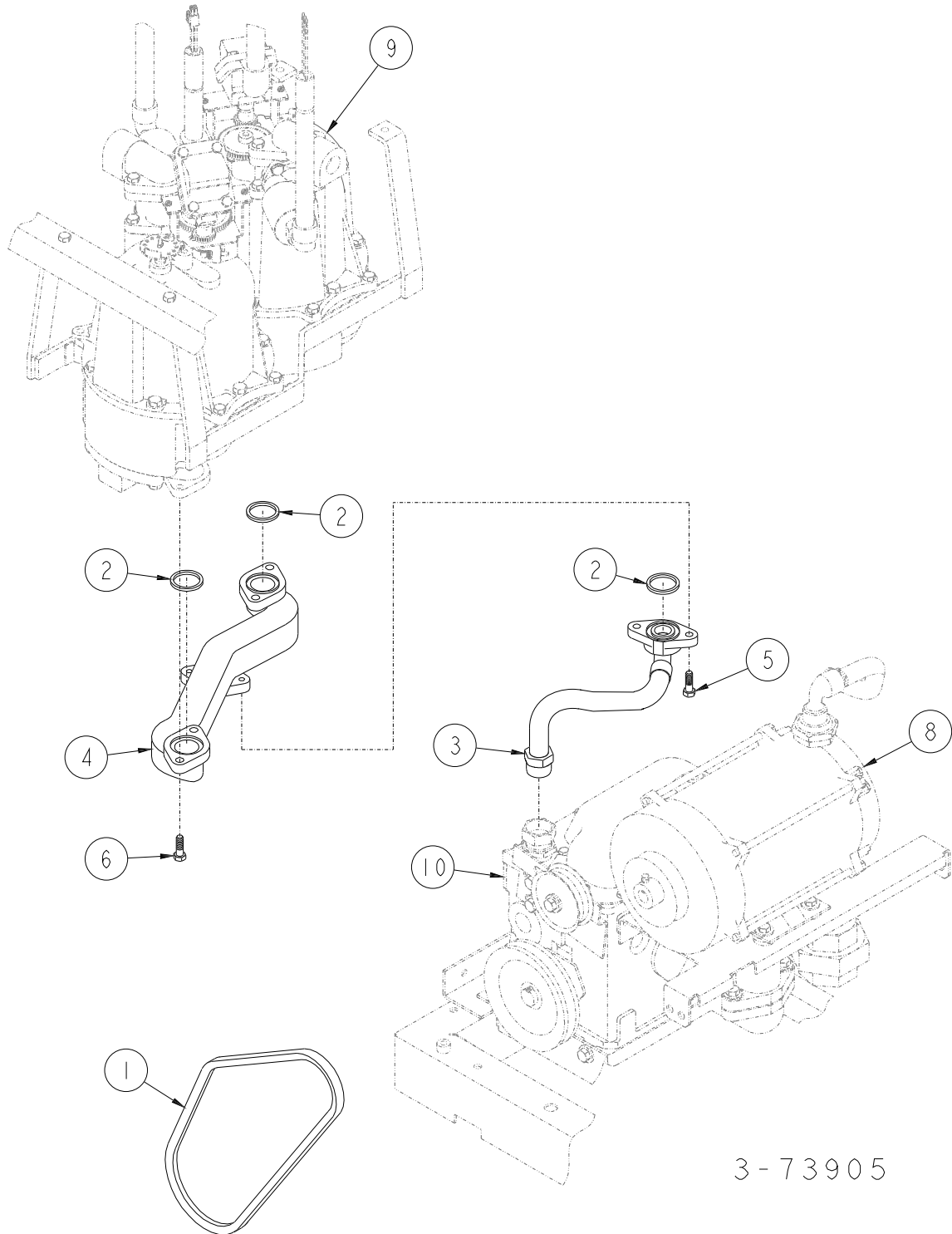
SUCTION SYSTEM
H322B, H324B, H422B & H426B
(1st Design - see Serial Break List 71144)

ITEM NO.	PART NO.	DESCRIPTION	ITEM NO.	PART NO.	DESCRIPTION
1	4-220923	Meter Flange	11	<u>For parts call out of Meter & Hydraulics Assembly see 73822.</u>	
2	1-230993	90° Inverted Flare Elbow	12	<u>For parts call out of Rotary Pump Assembly see 72622.</u>	
3	<u>"V" Belt</u>			<u>Reference for Tokheim internal use only:</u>	
	3-37852	35" Long (120/240 Volt)		319392	Meter & Hydraulic Assembly
	36-37852	36" Long (380 Volt)		319394	45" Chassis Assembly
4	13-313235	Gasket		319619	30" Chassis Assembly
5	<u>Discharge Tube Assembly</u>			319397	45" Final Assembly
	319597-1	45" Right Side		319651	30" Final Assembly
	319598-1	30" Right Side & 45" Center			
	319600-1	30" Left Side & 45" Left Side			
6	<u>Manifold</u>				
	1-418051				
	6-418051	Automatic Temperature Control			
7	35-50361	5/16-18 x 1" Long Hex Head Cap Screw			
8	38-50361	5/16-18 x 1-3/4" Long Hex Head Cap Screw			
9	01-51911	1/8-27 Pipe Plug (Automatic Temperature Control Only)			
10	<u>For parts call out of Motor Assembly see:</u>				
	72221	All except Brazil			
	72294	Brazil			

4-73866

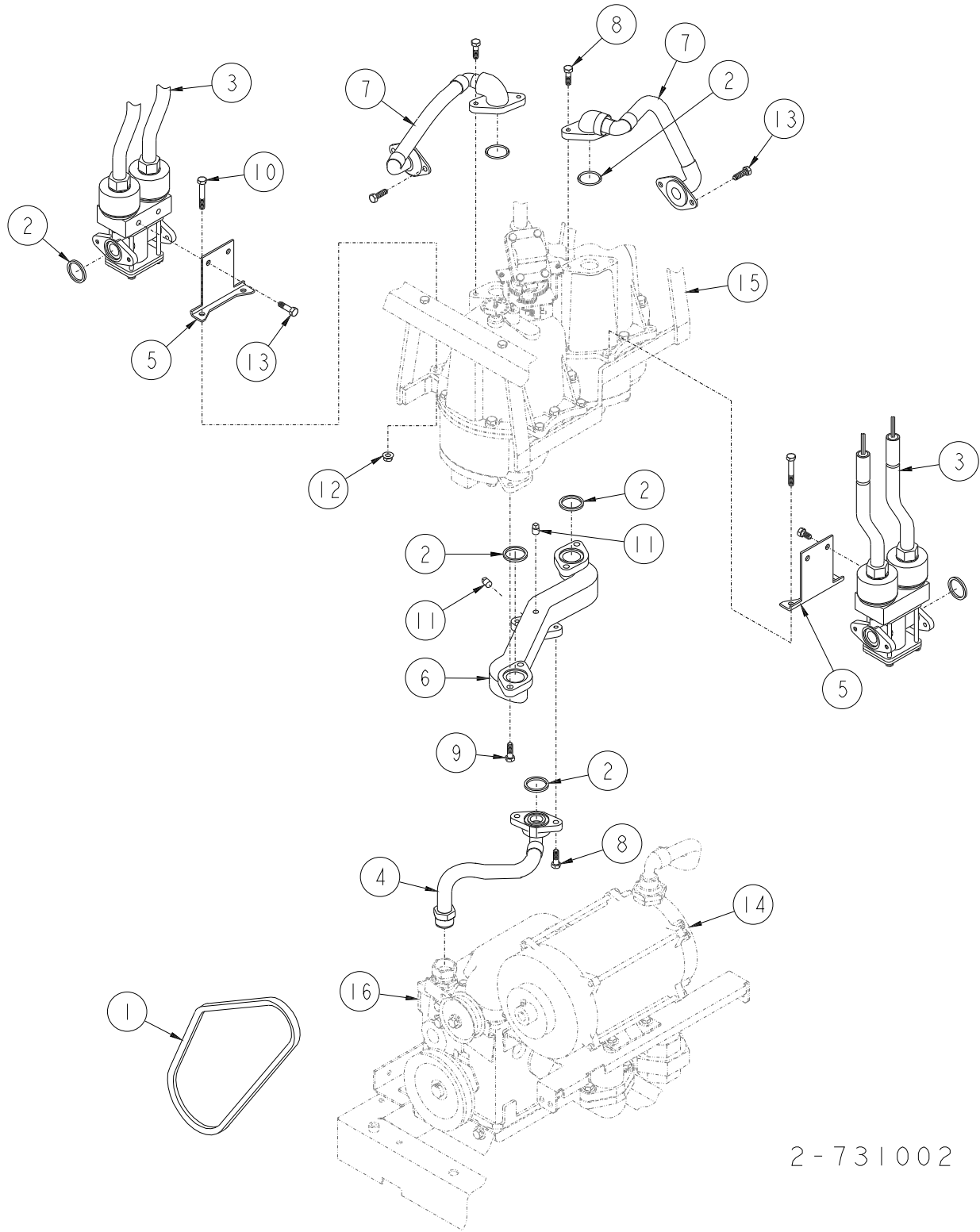
SUCTION SYSTEM

(H322B, H324B, H422B, H426B, H722B & H724B)
(2nd Design See Serial Break List 71144)



3-73905

SUCTION VARIABLE BLENDER SYSTEM (H322B-S-B3/B5)



2-731002

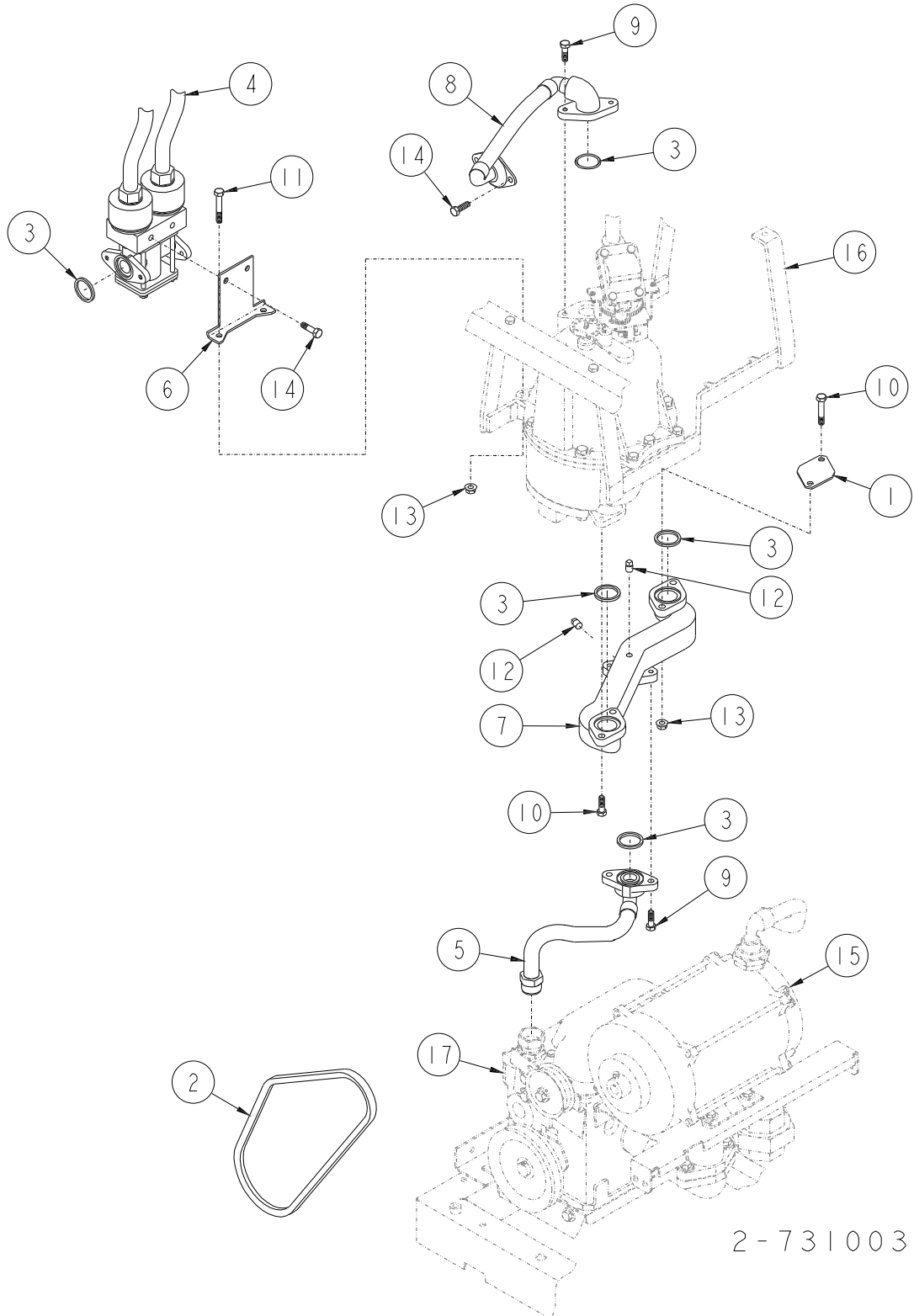
SUCTION VARIABLE BLENDER SYSTEM

(H322B-S-B3/B5)

ITEM NO.	PART NO.	DESCRIPTION	ITEM NO.	PART NO.	DESCRIPTION
1	<u>"V" Belt</u>		14	<u>For parts call out of Motor Assembly see:</u>	
	3-37852	35" Long (120/240 Volt)		72221	All except Brazil
	36-37852	36" Long (380 Volt & Brazil)		72294	Brazil
2	13-313235	Gasket	15	<u>For parts call out of Meter & Hydraulics Assembly see 73822.</u>	
3	319561-3	Modulating Valve Assembly	16	<u>For parts call out of Rotary Pump Assembly see 72622.</u>	
4	<u>Discharge Tube Assembly</u>			<u>Reference for Tokheim internal use only:</u>	
	319666-1	30" Left Side		319740	Meter & Hydraulic Assembly
	319667-1	30" Right Side		319810	Chassis Assembly
5	1-319796	Bracket		319820	Final Assembly
6	<u>Manifold</u>				
	1-418051				
	6-418051	Automatic Temperature Control			
7	422026-2	Fuel Tube Assembly			
8	35-50361	5/16-18 x 1" Long Hex Head Cap Screw			
9	38-50361	5/16-18 x 1-3/4" Long Hex Head Cap Screw			
10	40-50361	5/16-18 x 2-1/4" Long Hex Head Cap Screw			
11	01-51911	1/8-27 Pipe Plug (Automatic Temperature Control Only)			
12	02-54752	5/16-18 M-F Flange Whiz Lock Nut			
13	35-55132	5/16-18 x 5/8" Long M-F Flange Whiz Lock Screw			

2-731002

SUCTION VARIABLE BLENDER SYSTEM (H311B-S-B3/B5)



2-731003

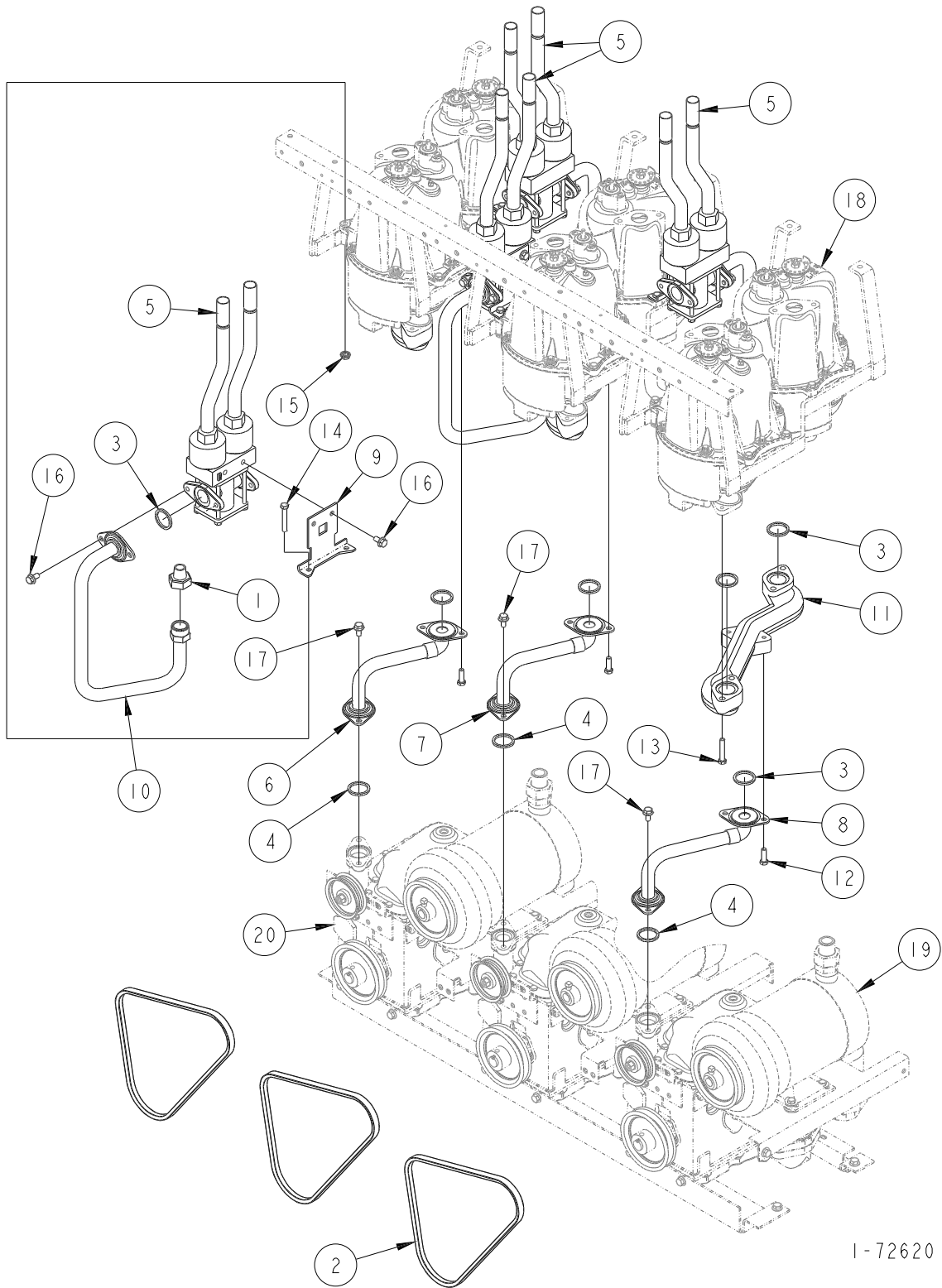
SUCTION VARIABLE BLENDER SYSTEM

(H311B-S-B3/B5)

ITEM NO.	PART NO.	DESCRIPTION	ITEM NO.	PART NO.	DESCRIPTION
1	1-228345	Manifold Cap	14	35-55132	5/16-18 x 5/8" Long M-F Flange Whiz Lock Screw
2	<u>"V" Belt</u>		15	<u>For parts call out of Motor Assembly see:</u>	
	3-37852	35" Long (120/240 Volt)		72221	All except Brazil
	36-37852	36" Long (380 Volt & Brazil)		72294	Brazil
3	13-313235	Gasket	16	<u>For parts call out of Meter & Hydraulics Assembly see 73822.</u>	
4	319561-3	Modulating Valve Assembly	17	<u>For parts call out of Rotary Pump Assembly see 72622.</u>	
5	<u>Discharge Tube Assembly</u>			<u>Reference for Tokheim internal use only:</u>	
	319666-1	30" Left Side		319740	Meter & Hydraulic Assembly
	319667-1	30" Right Side		319810	Chassis Assembly
6	1-319796	Bracket		319820	Final Assembly
7	<u>Manifold</u>				
	1-418051				
	6-418051	Automatic Temperature Control			
8	422026-2	Fuel Tube Assembly			
9	35-50361	5/16-18 x 1" Long Hex Head Cap Screw			
10	38-50361	5/16-18 x 1-3/4" Long Hex Head Cap Screw			
11	40-50361	5/16-18 x 2-1/4" Long Hex Head Cap Screw			
12	01-51911	1/8-27 Pipe Plug (Automatic Temperature Control Only)			
13	02-54752	5/16-18 M-F Flange Whiz Lock Nut			

2-731003

SUCTION SYSTEM
(H424B-SB3+1)



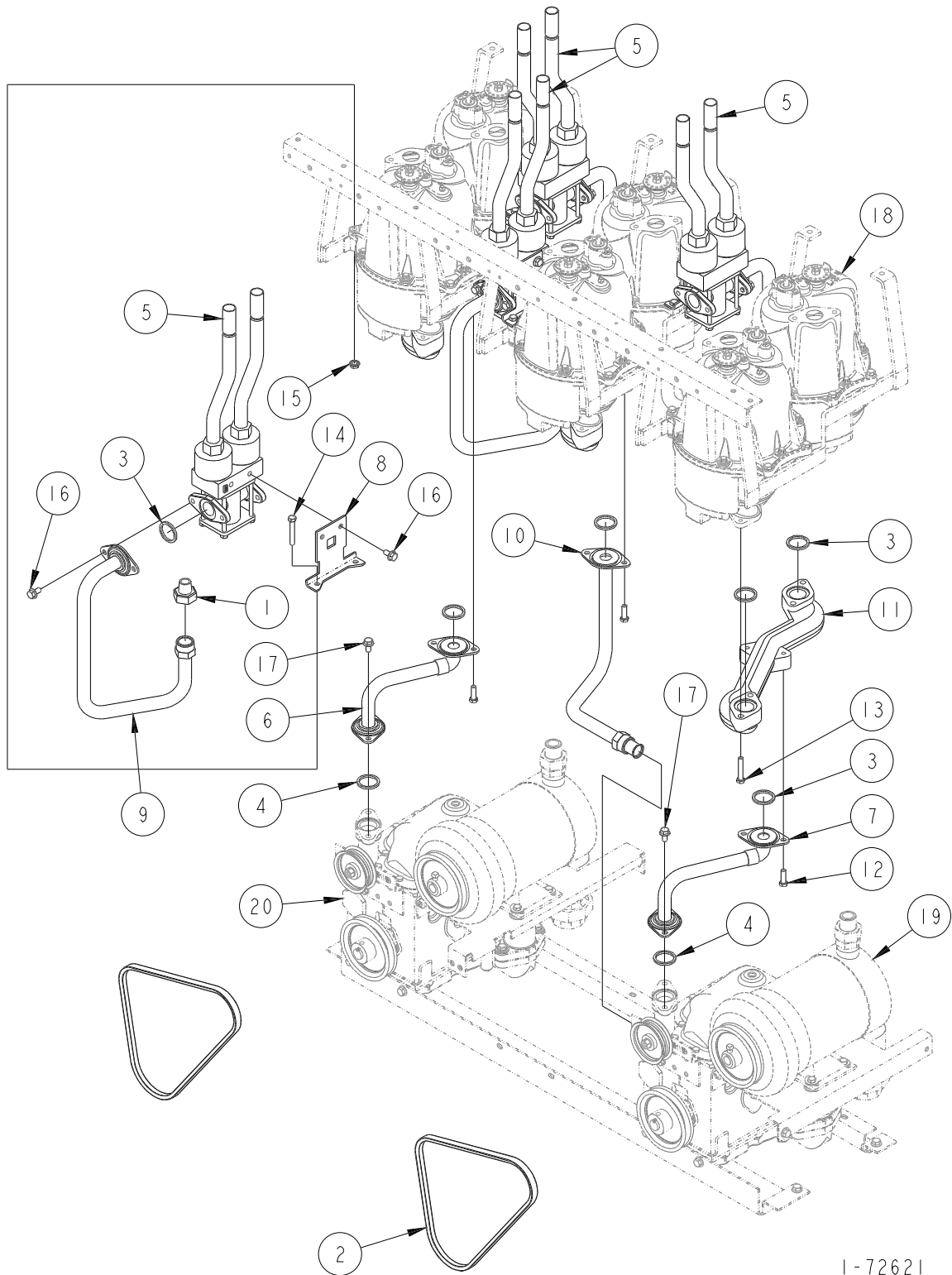
1-72620

SUCTION SYSTEM (H424B-SB3+1)

ITEM NO.	PART NO.	DESCRIPTION	ITEM NO.	PART NO.	DESCRIPTION
1	2-230994	Inverted Flare Connector	11	(Continued)	
2	3-37852	"V" Belt (35" Long)	6-418051		Automatic Temperature Control (Serial No. & Below)
3	13-313235	Gasket	7-418051		Automatic Temperature Control (Serial No. & Above)
4	13-313235	Gasket (Serial No. & Above)			
5	319561-3	Modulating Valve Assembly	12	35-50361	5/16-18 x 1" Long Hex Head Cap Screw
	2-420241	Valve Rebuild Kit	13	38-50361	5/16-18 x 1-3/4" Long Hex Head Cap Screw
	3-420241	Coil Replacement "Normally Closed Solenoid"	14	40-50361	5/16-18 x 2-1/4" Long Hex Head Cap Screw
	4-420241	Coil Replacement "Normally Open Solenoid"	15	02-54752	5/16-18 M-F Flanged Whiz-Lock Nut
6	<u>Lower Discharge Tube (Left)</u>		16	35-55132	5/16-18 x 5/8" Long M-F Flange Whiz Lock Screw
	319666-1	Serial No. & Below	17	35-55132	5/16-18 x 5/8" Long M-F Flange Whiz Lock Screw (Serial No. & Above)
	1-320672	Serial No. & Above	18	<u>For parts call out of Meter & Hydraulics Assembly see: 73898.</u>	
7	<u>Lower Discharge Tube (Center)</u>		19	<u>For parts call out of Motor Assembly see: 72221</u>	
	319667-1	Serial No. & Below	20	<u>For parts call out of Rotary Pump Assembly see: 73867</u>	
	1-320673	Serial No. & Above		<u>Reference for Tokheim internal use only:</u>	
8	<u>Lower Discharge Tube (Right)</u>			319741	Chassis Assembly
	319668-1	Serial No. & Below			
	1-320674	Serial No. & Above			
9	1-319796	Bracket			
10	319809-1	Fuel Tube Assembly			
11	<u>Manifold</u>				
	1-418051	Serial No. & Below			
	5-418051	Serial No. & Above			

1-72620

SUCTION SYSTEM
(H724B-SB3+1)



1-72621

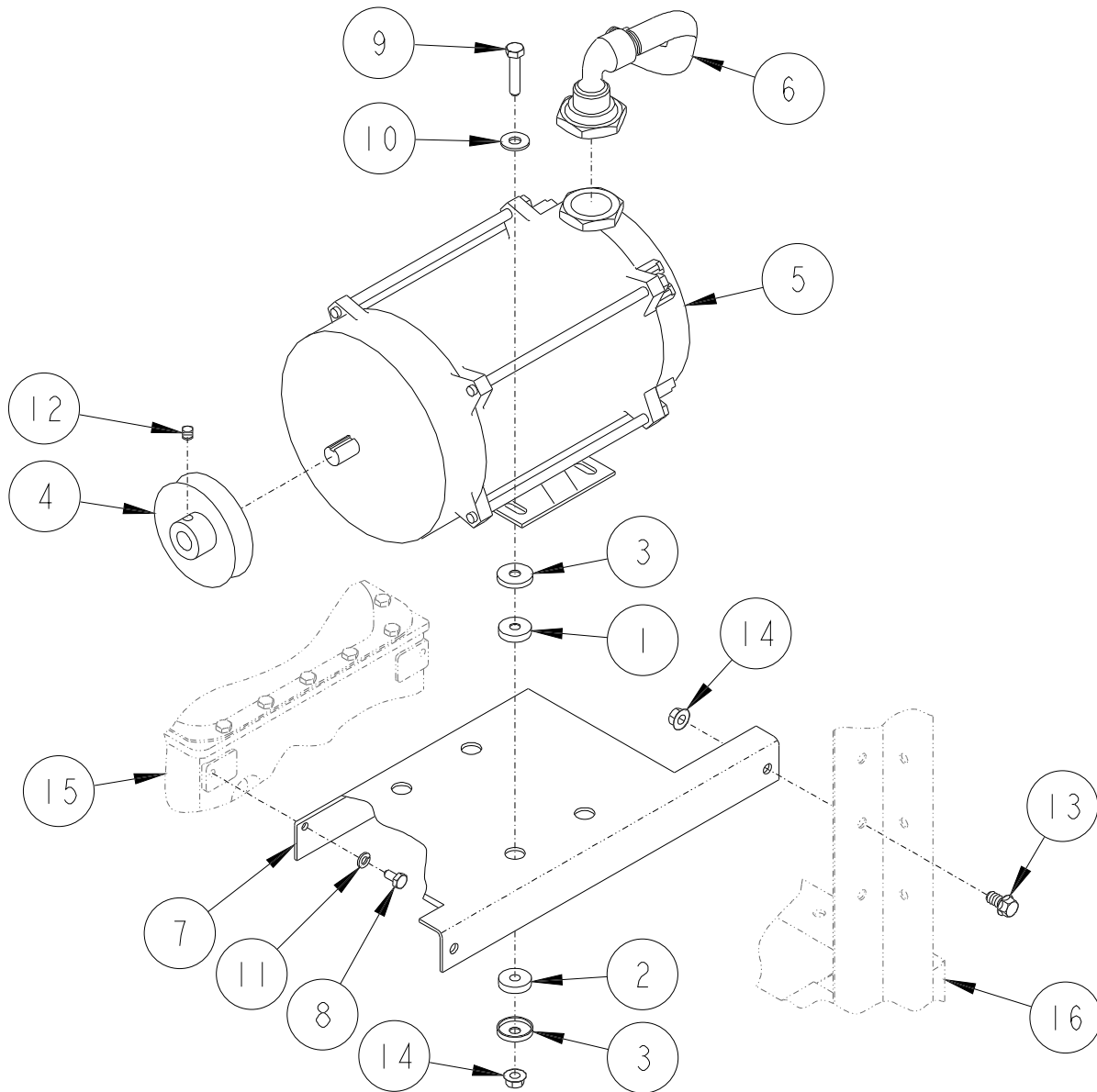
SUCTION SYSTEM

(H724B-SB3+1)

ITEM NO.	PART NO.	DESCRIPTION	ITEM NO.	PART NO.	DESCRIPTION
1	2-230994	Inverted Flare Connector	11	(Continued)	
2	3-37852	"V" Belt (35" Long)	7-418051		Automatic Temperature Control (Serial No. & Above.)
3	13-313235	Gasket			
4	13-313235	Gasket (Serial No. & Above)	12	35-50361	5/16-18 x 1" Long Hex Head Cap Screw
5	319561-3	Modulating Valve Assembly	13	38-50361	5/16-18 x 1-3/4" Long Hex Head Cap Screw
	2-420241	Valve Rebuild Kit	14	40-50361	5/16-18 x 2-1/4" Long Hex Head Cap Screw
	3-420241	Coil Replacement "Normally Closed Solenoid"	15	02-54752	5/16-18 M-F Flanged Whiz-Lock Nut
	4-420241	Coil Replacement "Normally Open Solenoid"	16	35-55132	5/16-18 x 5/8" Long M-F Flange Whiz Lock Screw
6	<u>Lower Discharge Tube (Left)</u>		17	35-55132	5/16-18 x 5/8" Long M-F Flange Whiz Lock Screw (Serial No. & Above)
	319666-1	Serial No. & Below	18	<u>For parts call out of Meter & Hydraulics Assembly see: 73898.</u>	
	1-320672	Serial No. & Above	19	<u>For parts call out of Motor Assembly see: 72221</u>	
7	<u>Lower Discharge Tube (Right)</u>		20	<u>For parts call out of Rotary Pump Assembly see: 73867</u>	
	319668-1	Serial No. & Below		<u>Reference for Tokheim internal use only:</u>	
	1-320674	Serial No. & Above	319741	Chassis Assembly	
8	1-319796	Bracket			
9	319809-1	Fuel Tube Assembly			
10	1-320802	Lower Discharge Tube (Center)			
11	<u>Manifold</u>				
	1-418051	Serial No. & Below			
	5-418051	Serial No. & Above			
	6-418051	Automatic Temperature Control (Serial No. & Below)			

1-72621

MOTOR ASSEMBLY



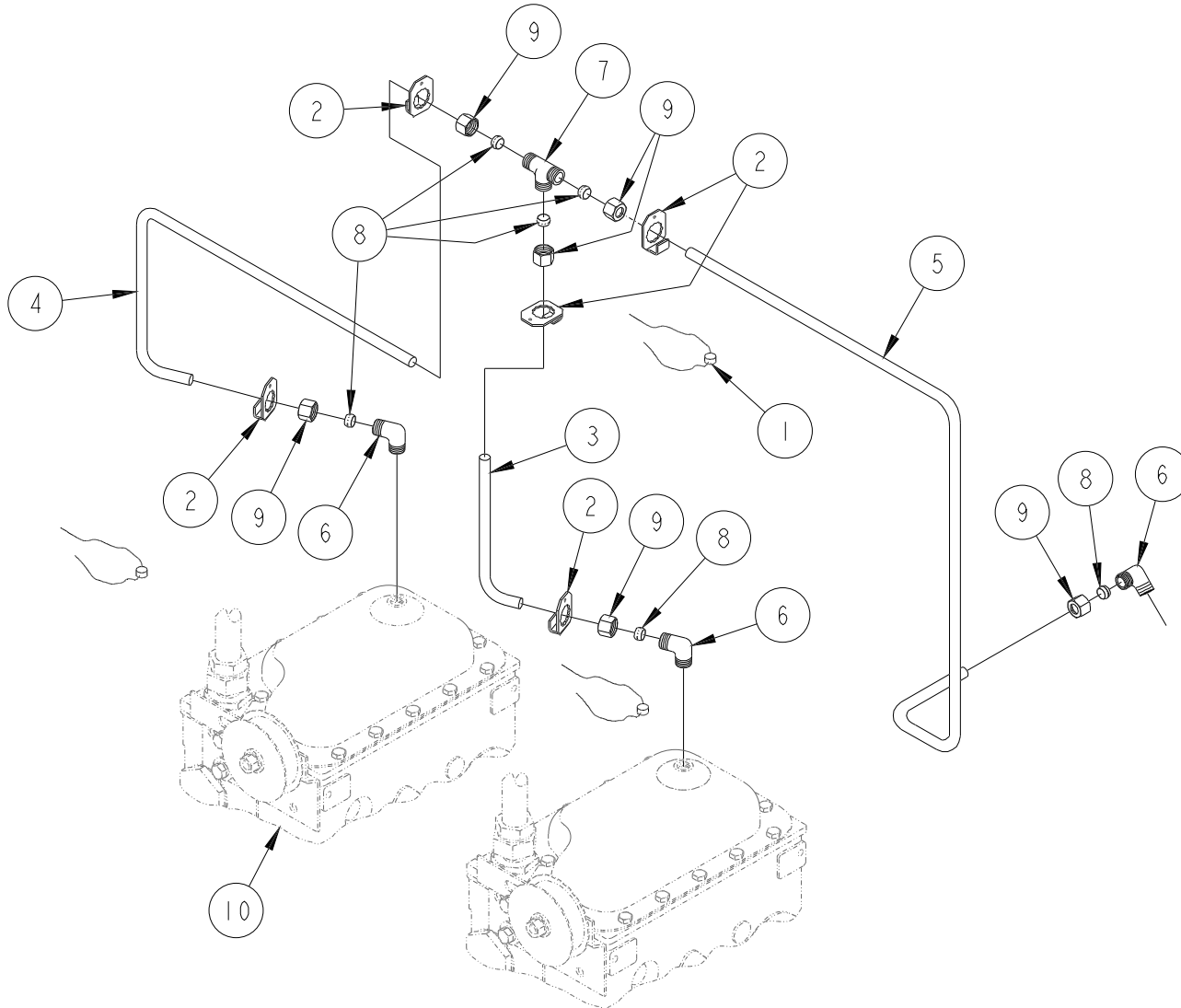
2-72221

MOTOR ASSEMBLY

ITEM NO.	PART NO.	DESCRIPTION	ITEM NO.	PART NO.	DESCRIPTION
1	1-114468	Cushion Grommet	10	03-50611	5/16" Plate Washer
2	1-114469	Cushion Washer	11	13-50641	1/4" Lock Washer
3	1-114470	Cushion Retainer	12	65-50721	5/16-18 x 1/4" Long Hex Socket Head Cup Point Set Screw
4	<u>Motor Pulley</u>		13	35-55132	5/16-18 x 5/8" Long M-F Flange Whiz-Lock Screw
	1-119529	120/240 Volt	14	02-54752	5/16-18 M-F Flange Whiz-Lock Nut
	1-220878	380 Volt	15	<u>For parts call out of Rotary Pump Assembly see 72622.</u>	
5	<u>Motor Assembly (3/4 H.P.)</u>		16	<u>For parts call out of Chassis Assembly see</u>	
	316479-7	A. O. Smith (120/240 Volt)		741534	45" (1st Design)
	316479-9	Franklin Electric (120/240 Volt)		741567	30" (1st Design)
	316479-5	Franklin Electric (380 Volt) (Thermal Protection)		741593	45" (2nd Design)
6	<u>Motor Conduit Assembly (A. O. Smith)</u>			741597	30" (2nd Design)
	319629-1	30" Left Side, 45" Left Side & Right Side	<u>Reference for Tokheim internal use only:</u>		
	319629-2	30" Right Side & 45" Center	<u>Chassis Assembly</u>		
	<u>Motor Conduit Assembly (Franklin Electric)</u>			319394	45" (1st Design)
	319629-3	380 Volt		319619	30" (1st Design)
	319629-4	120/240 Volt		319741	45" (2nd Design)
7	<u>Motor Support Plate</u>			319810	30" (2nd Design)
	1-319650	30" Right Side			
	1-421290	30" & 45" Left Side & 45" Center			
	1-421292	45" Right Side			
8	01-50361	1/4-20 x 1/2" Long Hex Head Cap Screw			
9	38-50361	5/16-18 x 1-3/4" Long Hex Head Cap Screw			

2-72221

VENT TUBE ASSEMBLY
(H311B, H312B, H322B, H324B, H722B & H724B)



2-72279

30" VENT TUBE ASSEMBLY

H311B, H312B, H322B, H324B, H722B & H724B

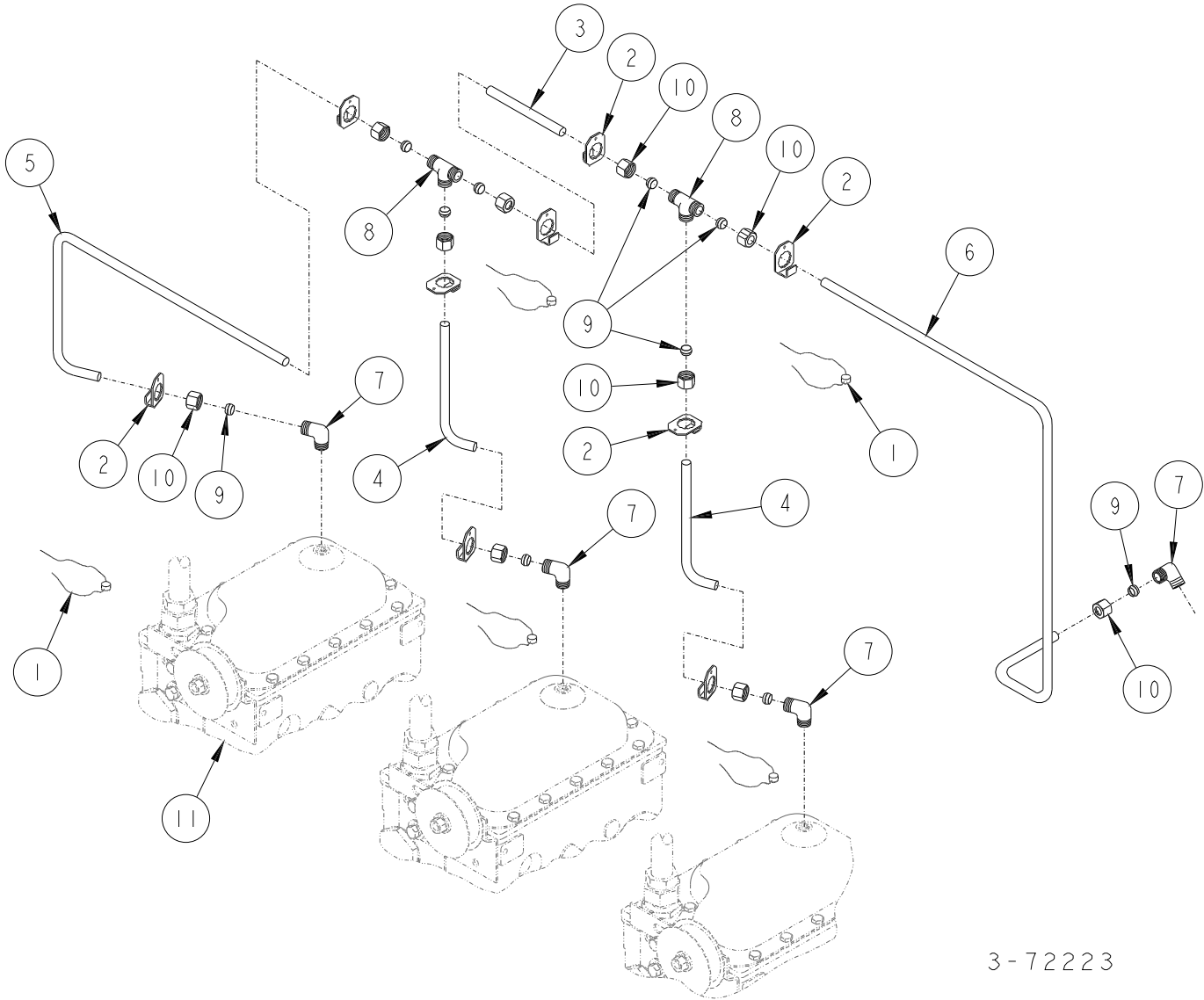
PREMIER Parts Manual • H Models
Form 4814A, Version 5.0 July-1996 Rev. 2/26/99

ITEM NO.	PART NO.	DESCRIPTION
1	1-131438	Seal Wire & Seal (6" Long)(Brazil)
2	1-233503	Seal Wire Bracket (Brazil)
3	1-319601	Vapor Vent Tube
4	<u>Vapor Vent Tube</u>	
	1-421288	H312B & H324B Only
	2-421288	H724B Only
5	1-421452	Vapor Vent Tube
6	05-52020	Compression Elbow
7	<u>Compression</u>	
	14-52020	Elbow (H311B, H322B & H722B)
	05-52030	Tee (H312B, H324B & H724B)
8	05-52040	Compression Sleeve
9	14-52040	Compression Nut
10	<u>For parts call out of Rotary Pump Assembly see: 73867</u>	

ITEM NO.	PART NO.	DESCRIPTION
<u>Reference for Tokheim internal use only:</u>		
<u>Chassis Assembly</u>		
319619		1st Design (H311B, H312B, H322B & H324B)
319810		2nd Design (H311B, H312B, H322B & H324B)
319741		2nd Design (H722B & H724B)
<u>Trim Assembly</u>		
319635		1st Design (H311B, H312B H322B & H324B)
319821		2nd Design (H311B, H312B, H322B & H324B)
319743		2nd Design (H722B & H724B)

Tokheim Corporation
9-21

VENT TUBE ASSEMBLY
(H413B & H426B)



3-72223

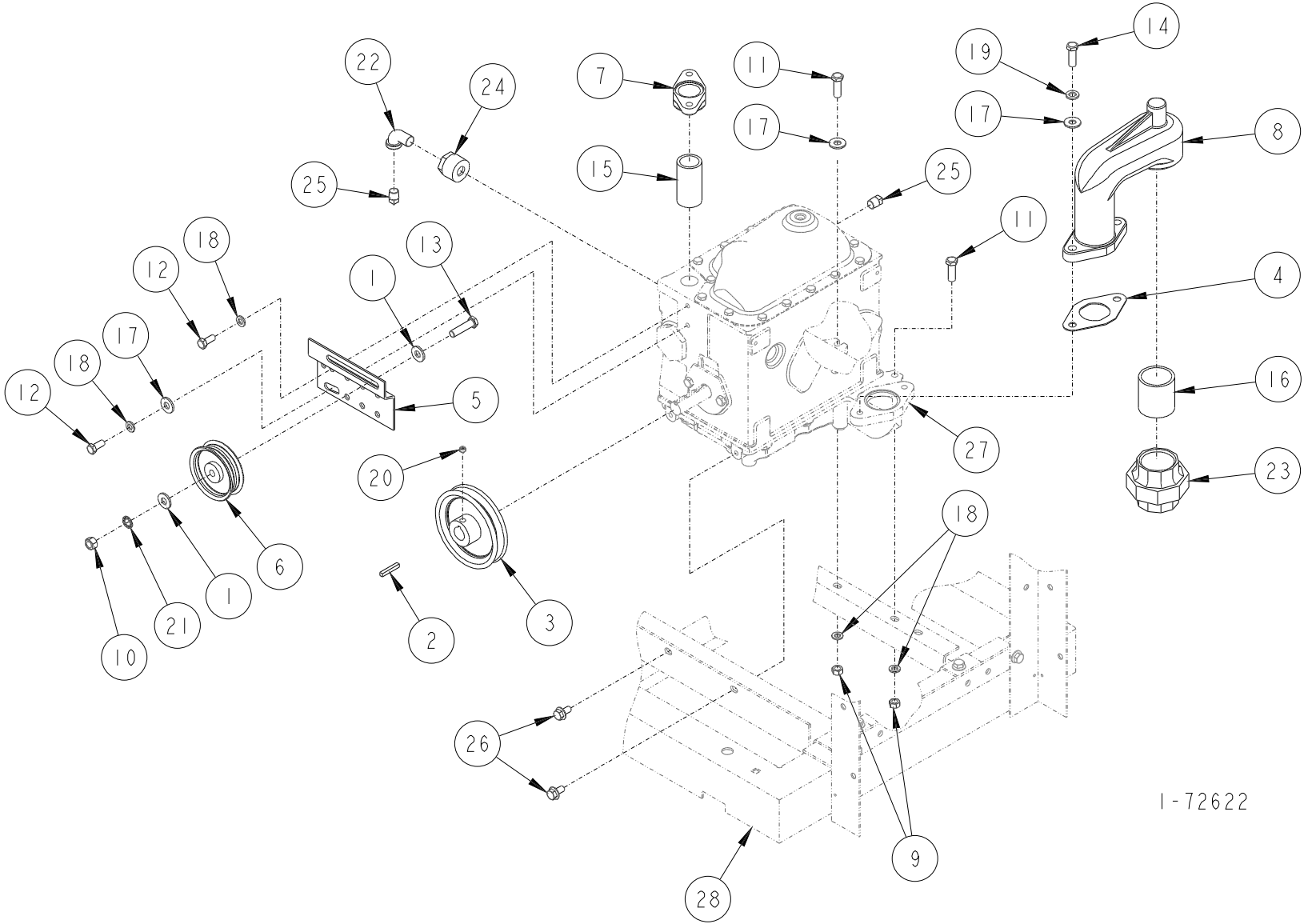
45" VENT TUBE ASSEMBLY H413B & H426B

ITEM NO.	PART NO.	DESCRIPTION
1	1-131438	Seal Wire & Seal (6" Long)(Brazil)
2	1-233503	Seal Wire Bracket (Brazil)
3	24-225758	Vapor Vent Tube
4	1-319601	Vapor Vent Tube
5	1-421288	Vapor Vent Tube
6	2-421452	Vapor Vent Tube
7	14-52020	Compression Elbow
8	05-52030	Compression Tee
9	05-52040	Compression Sleeve
10	14-52040	Compression Nut
11	<u>For parts call out of Rotary Pump Assembly see 72622.</u>	

Reference for Tokheim internal use only:

319394	Chassis Assembly (1st Design)
319741	Chassis Assembly (2nd Design)
319395	Trim Assembly (1st Design)
319743	Trim Assembly (2nd Design)

ROTARY PUMP ASSEMBLY



1-72622

ROTARY PUMP ASSEMBLY

ITEM NO.	PART NO.	DESCRIPTION	ITEM NO.	PART NO.	DESCRIPTION
1	2-13867	Washer	20	65-50721	5/16-18 x 1/4" Long Hex Socket Head Cup Point Set Screw
2	1-119636	Key	21	27-50761	3/8" Lockwasher
3	1-216295	Pump Pulley	22	02-51711	1/4" x 90° Street Elbow (Brazil)
4	1-217902	Pump Inlet Connection Gasket	23	27-51780	1-1/2" Female Union
5	1-220849	Idler Arm	24	14-51851	1" x 1/4" Hex Bushing (Brazil)
6	1-221668	Idler Pulley	25	02-51911	1/4" Pipe Plug
7	1-220923	Meter Flange (Serial No. & Above)	26	35-55132	5/16-18 x 5/8" Long M-F Flange Whiz Lock Screw
	1-230999	Inverted Flare Connector (Serial No. & Below)	27	<u>For parts call out of Rotary Pump & Air Separator see 741566.</u>	
8	1-38510	Pump Inlet Connection	28	<u>For parts call out of Rotary Pump Mounting Assembly see 72222.</u>	
9	02-50301	5/16-18 Hex Nut	<u>For complete Rotary Pump Assembly order:</u>		
10	03-50301	3/8-16 Hex Nut	405952-51		
11	36-50361	1/4-28 x 1-1/4" Long Hex Head Cap Screw	418203-10 Pump & Inlet Assembly		
12	33-50361	5/16-18 x 3/4" Long Hex Head Cap Screw	<u>For complete Idler Arm & Pulley Assembly order:</u>		
13	67-50361	3/8-16 x 1-1/2" Long Hex Head Cap Screw	37277-16		
14	297-50361	3/8-16 x 1-1/8" Long Hex Head Cap Screw			
15	87-50560	1" x 2-1/2" Long Pipe Nipple (Serial No. & Above)			
	11-51850	1" x 3/4" Hex Bushing (Serial No. & Below)			
16	117-50560	1-1/2" x 1-3/4" Long Pipe			
17	03-50611	5/16" Plate Washer			
18	14-50641	5/16" Lockwasher			
19	15-50641	3/8" Lockwasher			

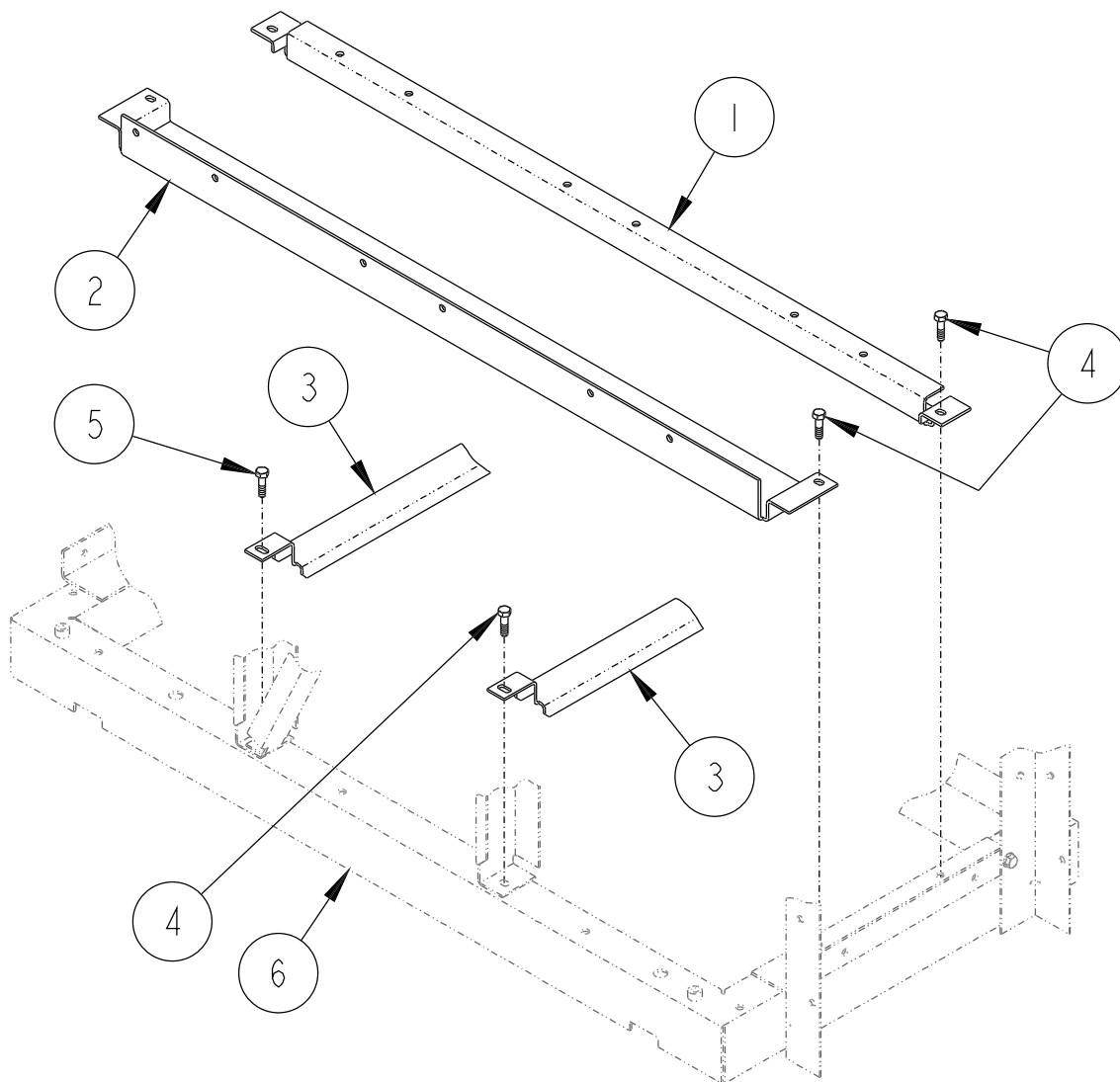
ROTARY PUMP & AIR SEPARATOR

PREMIER Parts Manual • H Models
Form 4814A, Version 3.0 July 1996 Rev. 10/10/97

Tokheim Corporation
9-27

ITEM NO.	PART NO.	DESCRIPTION	ITEM NO.	PART NO.	DESCRIPTION	ITEM NO.	PART NO.	DESCRIPTION
1	1-17526	Gasket	33	1-120733	Poppet Spring	51	(Continued)	
2	1-18654	Float Lever Pin	34	1-121394	“V” Packing			Item #28, (3 ea) Item #34,
3	1-18655	Valve Pin	35	1-126295	Plunger Guide			(1 ea) Item #40, (1 ea) Item
4	1-18716	Guide Plate	36	1-126343	Plunger Disc			#41, (1 ea) Item #49, (1 ea)
5	1-18717	Spring Plate	37	1-126344	Plunger Spacer			Item #50
6	1-18718	Plunger Head	38	<u>By-Pass Valve Spring</u>		52	408143-2	Lower Pump Head With
7	1-18719	Plunger Plate		1-18735	34 to 35-1/2 Lbs.			Valve Seat Guides,
8	1-18720	Plunger Follower		1-19048	53 Lbs.			Regulating Valve Seat
9	1-18721	Valve Cylinder		1-131178	44-1/2 Lbs.	53	01-50360	1/4-20 x 1/2" Long Hex Head
10	1-18722	Cylinder Head		1-230439	60 lbs.			Cap Screw
11	1-18731	Clamp Plate		1-231015	60 lbs. (Stainless Steel)	54	34-50360	5/16-18 x 7/8" Long Hex Head
12	1-18734	Float Valve Body	39	25664-1	Pump Rotor Shaft Assembly			Cap Screw
13	1-18750	Vent Screw	40	1-25879	Bottom Head Gasket	55	71-50360	3/8-16 x 2-1/2" Long Hex Head
14	1-18792	Valve Cylinder Gasket	41	1-210024	Drive Shaft Bearing			Cap Screw
15	1-18799	Vent Screw Guard	42	1-211816	Rotary Pump Idler	56	297-50360	3/8-16 x 1-1/8" Long Hex Head
16	1-18860	Float Valve Needle	43	211818-1	Rotary Pump Head Assembly			Cap Screw
17	1-18961	Float Valve Gasket	44	213168-1	Poppet Disc & Relief Valve	57	15-50641	3/8" Lockwasher
18	2-113691	Cover Gasket			Assembly	58	17-51210	1/16" Dia. x 1/2" Long Cotter
19	1-113698	Retainer	45	1-232289	Strainer Cap			Pin
20	1-113703	Bearing	46	217897-5	By-Pass Valve Assembly	59	27-51901	1" Pipe Plug
21	113776-1	Regulating Poppet Assembly			(44-1/2 Lbs)	60	02-51911	1/4" Square Head Pipe Plug
22	1-113819	Oil Well Felt	47	217898-1	Regulating Valve Assembly	61	38-51911	1/4" Countersunk Pipe Plug
23	114064-1	Float Assembly	48	1-32089	Separator Cover	62	01-52321	1/4-28 Hex Nut
24	1-115075	Suction Screen	49	2-313235	Gasket	63	403-54921	1/4-20 x 7/8" Long Phillips Pan
25	1-115642	Regulating Valve Spring	50	21-313235	Gasket			Head Machine Screw
26	1-116628	By-Pass Valve Poppet	51	2-402334	Rotary Pump & Separator			
27	1-117475	Packing Gland			Body (Note: Order also (1 ea)			<u>For complete Rotary Pump Repair Kit order.</u>
28	1-117660	Packing Spring			Item #13, (2 ea) Item #14, (1			<u>225183-1</u>
29	1-118590	Regulating Valve Seat			ea) Item #15, (1 ea) Item #17,			<u>For complete 855-CC Rotary Pump & Air</u>
30	1-118591	Valve Seat Guide			(1 ea) Item #20, (1 ea) Item #22,			<u>Separator order: 405952-51</u>
31	1-118640	By-Pass Valve Seat			(3 ea) Item #27, (1 ea)			
32	2-120731	Check Valve Cap						2-741566

ROTARY PUMP MOUNTING ASSEMBLY

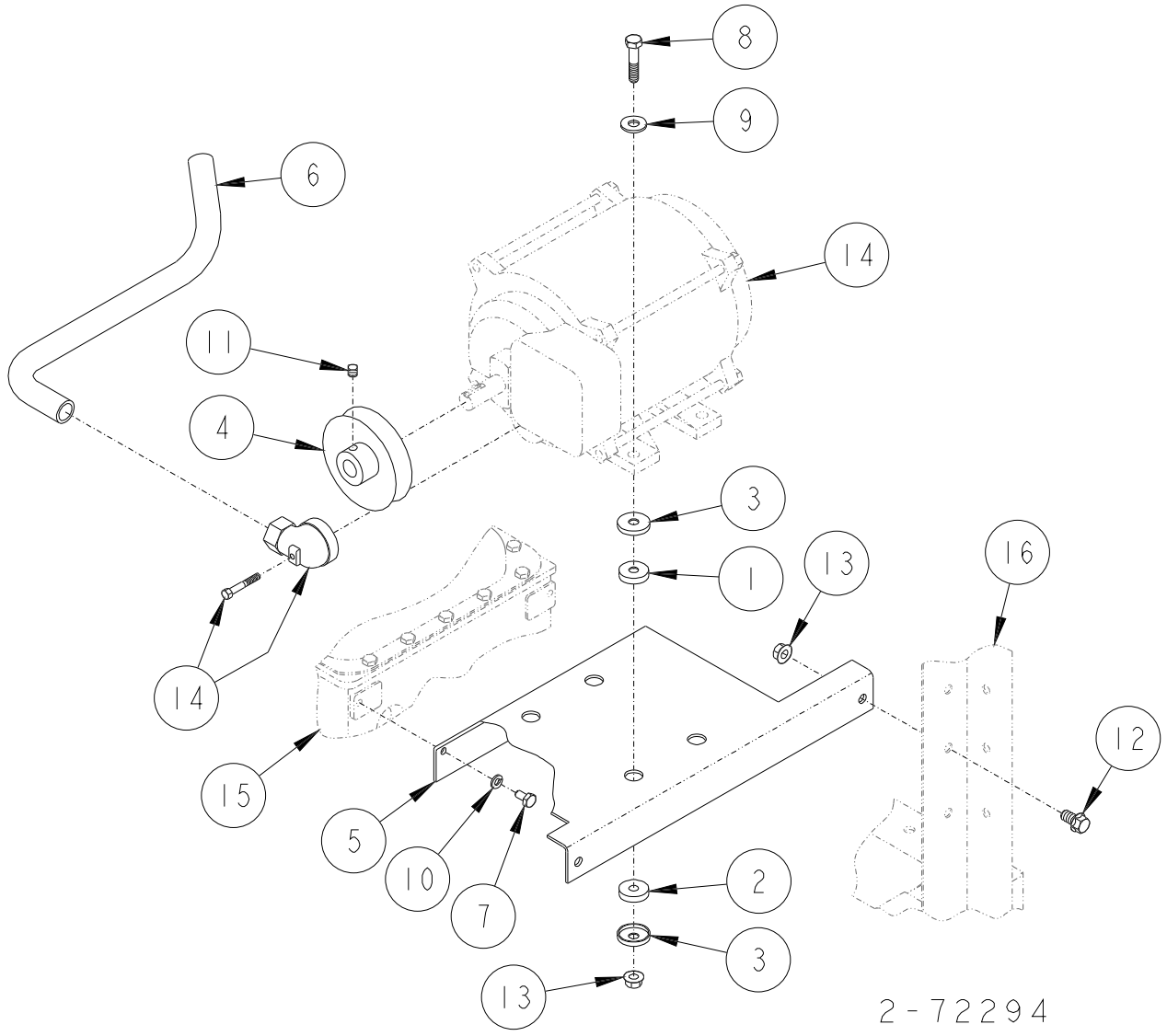


3-72222

ROTARY PUMP MOUNTING ASSEMBLY

ITEM NO.	PART NO.	DESCRIPTION
1		<u>Rear Pump Mounting Brace</u>
	1-421268	45"
	1-421451	30"
2		<u>Front Pump Mounting Brace</u>
	1-421272	45"
	1-421450	30"
3	1-421408	Pump Mounting Support
4	35-55132	5/16-18 x 5/8" Long M-F Flange Whiz-Lock Screw
5	38-55132	5/16-18 x 1" Long M-F Flange Whiz-Lock Screw
6		<u>For parts call out of Chassis Assembly see:</u>
	741534	45" (1st Design)
	741567	30" (1st Design)
	741593	45" (2nd Design)
	741597	30" (2nd Design)
		<u>Reference for Tokheim internal use only: Chassis Assembly</u>
	319394	45" (1st Design)
	319619	30" (1st Design)
	319741	45" (2nd Design)
	319810	30" (2nd Design)

MOTOR ASSEMBLY
(BRAZIL)



2-72294

MOTOR ASSEMBLY

Brazil

ITEM NO.	PART NO.	DESCRIPTION	ITEM NO.	PART NO.	DESCRIPTION
1	1-114468	Cushion Grommet	16		<u>For parts call out of Chassis Assembly see:</u>
2	1-114469	Cushion Washer		741593	45"
3	1-114470	Cushion Retainer		741597	30"
4	1-119529	Motor Pulley			
5		<u>Motor Support Plate</u>			<u>Reference for Tokheim internal use only: Chassis Assembly</u>
	1-319952	30" Right Side		319741	45"
	1-421852	45" Right Side		319810	30"
	1-421853	30" & 45" Left Side & 45" Center			
6	1-319953	Motor Conduit			
7	01-50361	1/4-20 x 1/2" Long Hex Head Cap Screw			
8	38-50361	5/16-18 x 1-3/4" Long Hex Head Cap Screw			
9	03-50611	5/16" Plate Washer			
10	13-50641	1/4" Lock Washer			
11	65-50721	5/16-18 x 1/4" Long Hex Socket Head Cup Point Set Screw			
12	35-55132	5/16-18 x 5/8" Long M-F Flange Whiz-Lock Screw			
13	02-54752	5/16-18 M-F Flange Whiz-Lock Nut			
14		<u>Motor supplied by customer</u>			
15		<u>For parts call out of Rotary Pump Assembly see 72622.</u>			